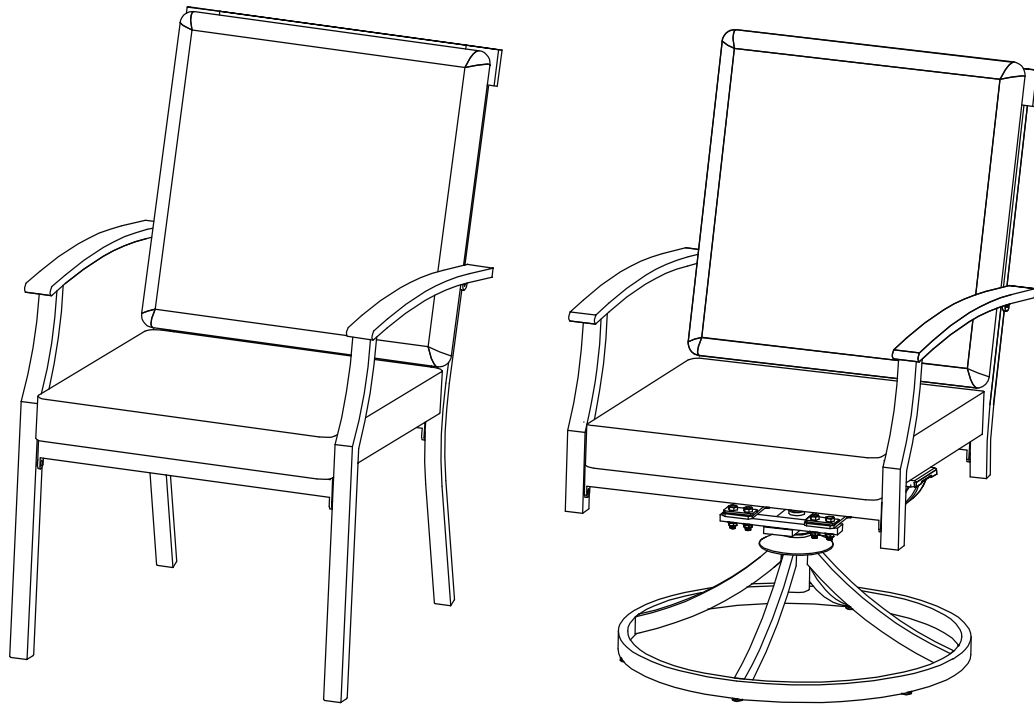


Item # 1005 443 240
Model # FRS60786-STBC

HAMPTON BAY®

USE AND CARE GUIDE

GENEVA 6PK DINING CHAIR - BARE



Questions, problems, missing parts? Before returning to the store,
call Hampton Bay Customer Service
8 a.m. - 7 p.m., EST, Monday – Friday, 9 a.m. – 6 p.m., EST, Saturday

1-855-HD-HAMPTON

HAMPTONBAY.COM

THANK YOU


We appreciate the trust and confidence you have placed in Hampton Bay through the purchase of this set. We strive continually to create quality products designed to enhance your home. Visit us online to see our full line of products available for your home improvement needs. Thank you for choosing Hampton Bay!


Table of Contents

Table of Contents	2	Pre-Assembly	3
Important Safety Instructions	2	Planning Assembly	3
Save These Instructions	2	Hardware Included	4
Read All Instructions before Use	2	Stationary Chair Package Contents	4
Warranty	3	Swivel Chair Package Contents	5
What is covered	3	Stationary Chair Assembly	6
What is not covered	3	Swivel Chair Assembly	9
		Care and Cleaning	12

Important Safety Instructions

SAVE THESE INSTRUCTIONS


 **WARNING:** THIS SET WAS MADE FOR THE EXPLICIT PURPOSE OF PROVIDING OUTDOOR FUNCTIONS AND IS NOT TO BE USED AS A TOY. THIS PRODUCT IS INTENDED FOR NORMAL OUTDOOR USE; HOWEVER, THE MANUFACTURER RECOMMENDS STORING AND/OR COVERING THIS PRODUCT WHEN ANY FORMIDABLE/SEVERE WEATHER IS APPROACHING.

 **WARNING:** DO NOT LOCATE THIS PRODUCT NEAR OPEN FLAMES. DO NOT USE THIS PRODUCT AS A SUPPORT. DO NOT SHAKE, LEAN OR CLIMB ON THE PRODUCT. CHILDREN UNDER THE AGE OF 10, NEAR THE PRODUCT, SHOULD BE SUPERVISED BY A COMPETENT ADULT AT ALL TIMES. THIS PRODUCT IS NOT INTENDED FOR COMMERCIAL USE AND WILL VOID THE WARRANTY.


READ ALL INSTRUCTIONS BEFORE USE


To reduce the risk of injury to persons:

1. Close supervision is necessary when this furnishing is used by or near children, or disabled persons, if applicable.
2. Use this furnishing only for its intended use as described in these instructions. Do not use attachments not recommended by the manufacturer.
3. Do not move the set while it is occupied. Failure to obey this caution could result in injury.
4. Do not rock in the stationary chair as you may fall and cause serious injury.
5. Please keep children out of the assembly area before assembly.


 **CAUTION:** When not in use, secure the product in a cool and covered location.

 **CAUTION:** Do not locate the product near any heat sources.

 **WARNING:** Weight limit for each chair is 250lbs (113.39Kg).

 **WARNING:** Please keep children out of the assembly area before assembly.

 **WARNING:** This set is heavy, and may require two adults for safe assembly.

 **WARNING:** Never use this product as a support. Do not shake, lean, or climb on the product at any time.

 **WARNING:** Do not place heavy objects on the set.

Warranty

3 YEAR FRAME LIMITED WARRANTY

WHAT IS COVERED

We warrant the frames to be free of manufacturing defects to the original purchaser for three years.

WHAT IS NOT COVERED

It remains the customer's responsibility for freight and packaging charges to and from our service center. This warranty does not cover commercial use, hardware, acts of nature, fire, freezing and abusive use. In addition, purchased parts are not covered under this warranty. We reserve the right to make substitutions with similar merchandise, if the model in question is no longer in production.

Contact the Customer Service Team at 1-855-HD-HAMPTON or visit www.HAMPTONBAY.com.

Pre-assembly

PLANNING ASSEMBLY

Read all instructions before assembly.

To avoid damaging this product, assemble it on a soft, non-abrasive surface such as carpet or cardboard.



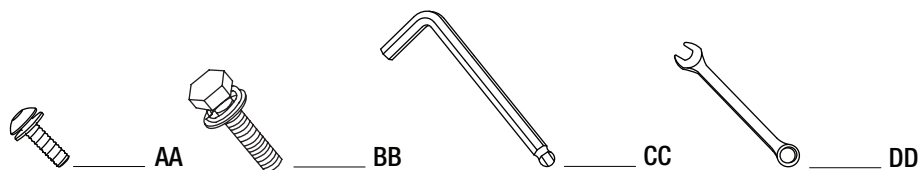
NOTE: More than one person may be required to assemble this product.

Pre-assembly (continued)

HARDWARE INCLUDED

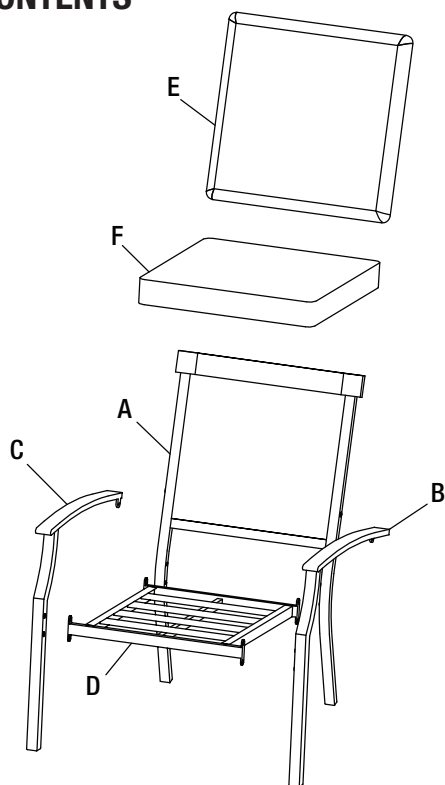


NOTE: Hardware not shown to actual size.



Part	Description	Quantity
AA	M6x15 Combination Bolt	60+1
BB	M8x20 Combination Bolt	8+1
CC	Hex Wrench	1
DD	Wrench	1

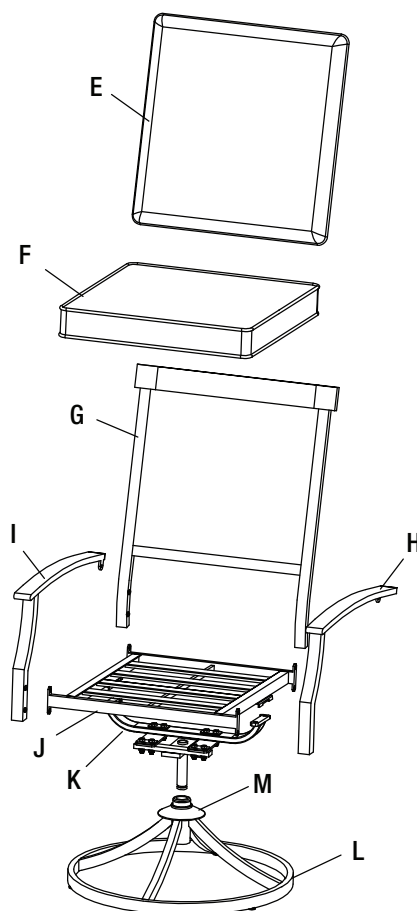
STATIONARY CHAIR PACKAGE CONTENTS



Part	Description	Quantity
A	Stationary Chair Back	4
B	Stationary Chair Left Arm	4
C	Stationary Chair Right Arm	4
D	Stationary Chair Seat	4
E	Back Cushion	4
F	Seat Cushion	4

Pre-assembly (continued)

SWIVEL CHAIR PACKAGE CONTENTS



Part	Description	Quantity
E	Back Cushion	2
F	Seat Cushion	2
G	Swivel Chair Back	2
H	Swivel Chair Left Arm	2
I	Swivel Chair Right Arm	2
J	Swivel Chair Seat	2
K	Support Bar	2
L	Swivel Base	2
M	Plastic Cover	2

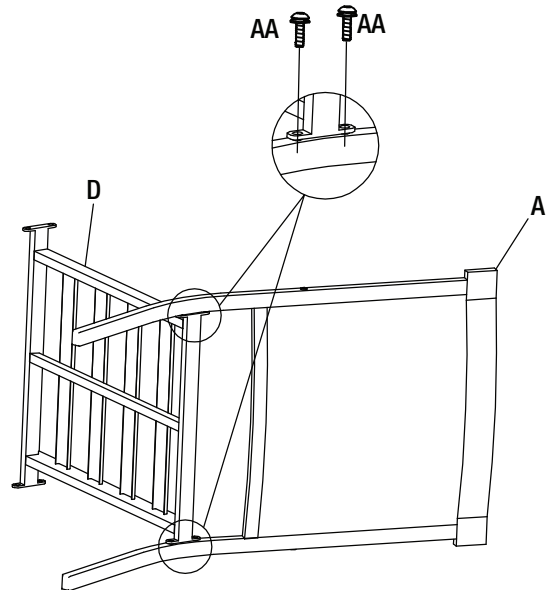
Stationary Chair Assembly

1 Attaching The Stationary Chair Seat To The Stationary Chair Back



NOTE: Loosely tighten all bolts using the hex wrench (CC).

- Place the stationary chair back (A) and stationary chair seat (D) on a soft surface.
- Attach the stationary chair seat (D) to the stationary chair back (A) using M6x15 combination bolts (AA).

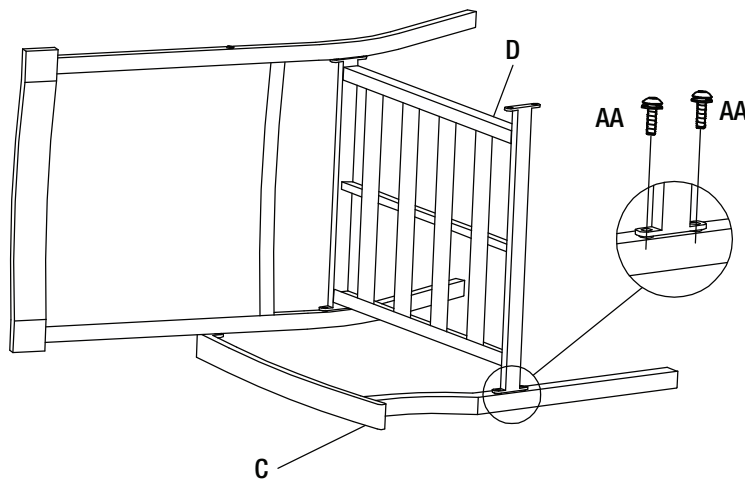


2 Attaching The Stationary Chair Seat To The Stationary Chair Right Arm



NOTE: Loosely tighten all bolts using the hex wrench (CC).

- Place the stationary chair right arm (C) upside down on a soft surface.
- Attach the stationary chair seat (D) to the stationary chair right arm (C) using M6x15 combination bolts (AA).



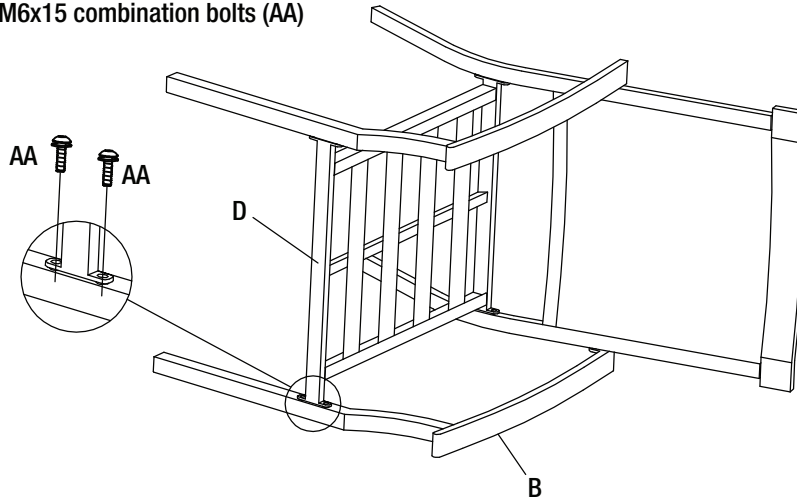
Stationary Chair Assembly (continued)

3 Attaching The Stationary Chair Seat To The Stationary Chair Left Arm



NOTE: Loosely tighten all bolts using the hex wrench (CC).

- Place the stationary chair left arm (B) upside down on a soft surface.
- Attach the stationary chair seat (D) to the stationary chair left arm (B) using M6x15 combination bolts (AA)

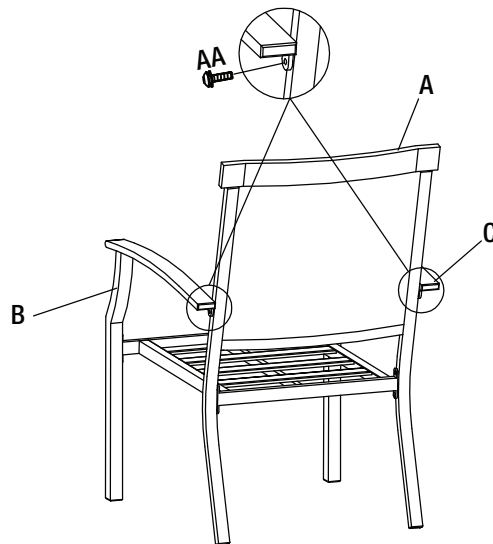


4 Attaching The Stationary Chair Left And Right Arm To The Stationary Chair Back



NOTE: Loosely tighten all bolts using the hex wrench (CC).

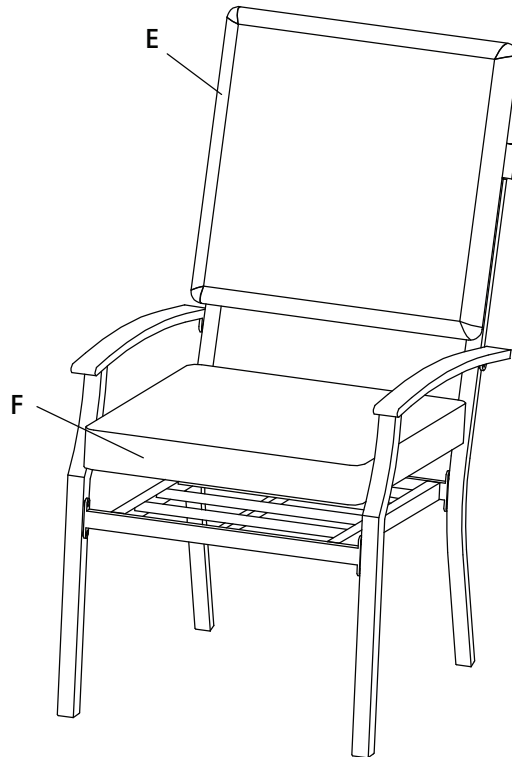
- Attach the stationary chair left arm (B) and right arm (C) to the stationary chair back (A) using M6x15 combination bolts (AA).



Stationary Chair Assembly (continued)

5 Tightening All The Bolts

- Once all the bolts are in place, fully tighten all the bolts.
- Turn the stationary chair right side up.
- Place the seat cushion (F) and back cushion (E) on the stationary chair.
- Ensure that all connections are secure before use.



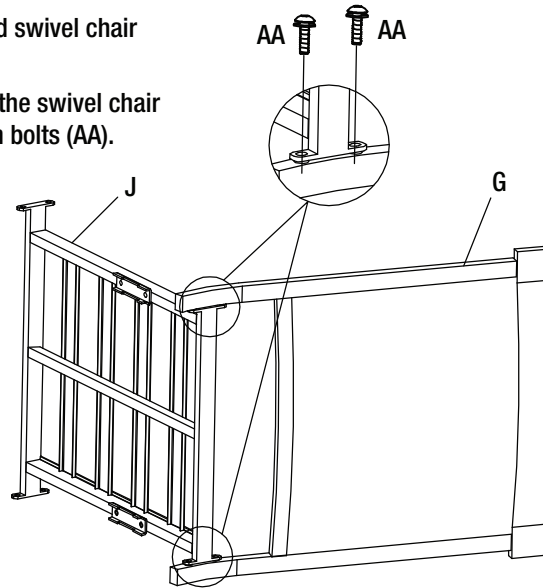
Swivel Chair Assembly

1 Attaching The Swivel Chair Seat To The Swivel Chair Back



NOTE: Loosely tighten all bolts using the hex wrench (CC).

- Place the swivel chair back (G) and swivel chair seat (J) on a soft surface.
- Attach the swivel chair seat (J) to the swivel chair back (G) using M6x15 combination bolts (AA).

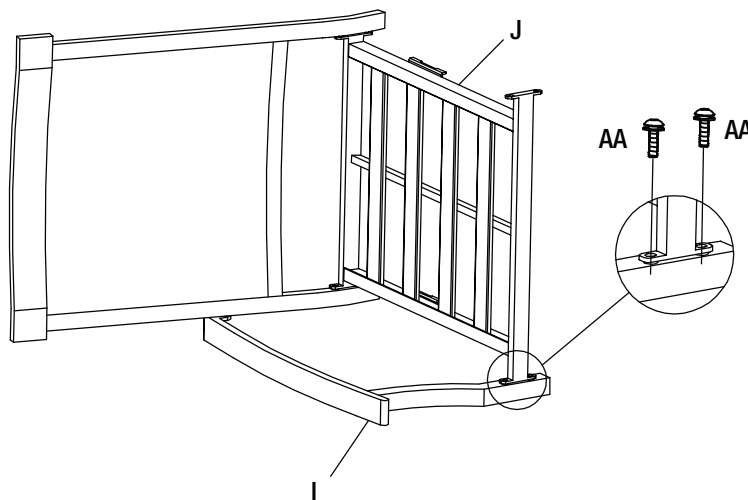


2 Attaching The Swivel Chair Seat To The Swivel Chair Right Arm



NOTE: Loosely tighten all bolts using the hex wrench (CC).

- Place the swivel chair right arm (I) upside down on a soft surface.
- Attach the swivel chair seat (J) to the swivel chair right arm (I) using M6x15 combination bolts (AA)



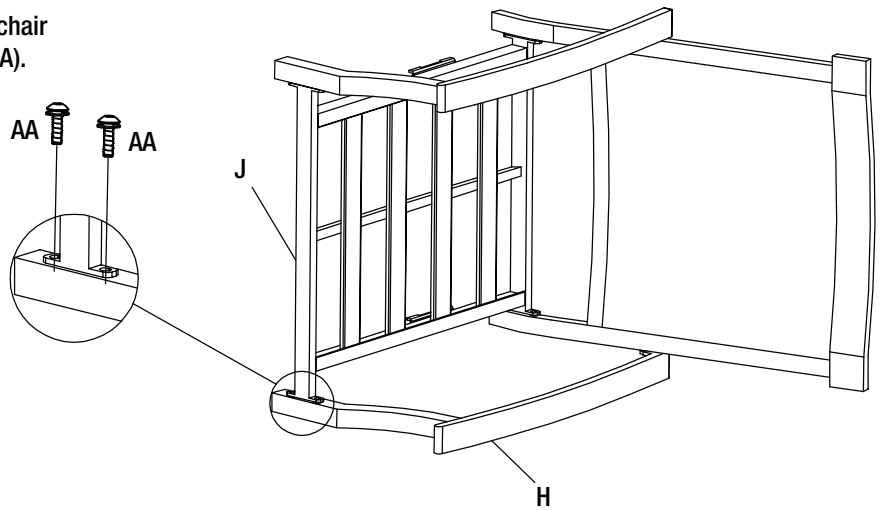
Swivel Chair Assembly (continued)

3 Attaching The Swivel Chair Seat To The Swivel Chair Left Arm



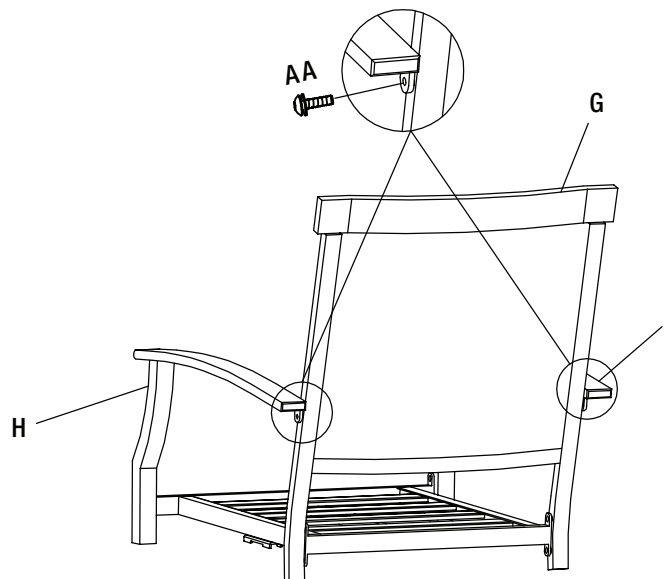
NOTE: Loosely tighten all bolts using the hex wrench (CC).

- Place the swivel chair seat (J) and the swivel chair left arm(H) on a soft surface.
- Attach the swivel chair seat (J) to the swivel chair left arm(H) using M6x15 combination bolts (AA).



4 Attaching The Swivel Chair Left And Right Arm To The Swivel Chair Back

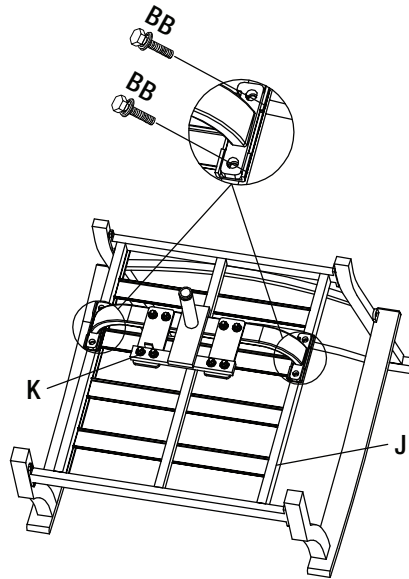
- Attach the swivel chair left arm (H) and right arm (I) to the swivel chair back (G) using M6x15 combination bolts (AA)
- Once all bolts are in place, fully tighten all bolts using the hex wrench (CC).



Swivel Chair Assembly (continued)

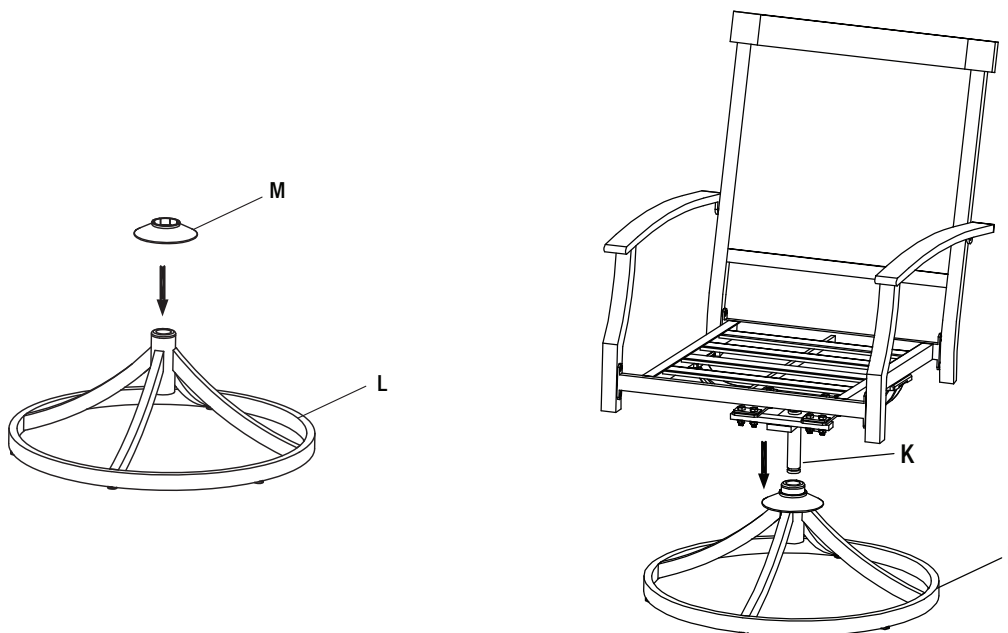
5 Attaching The Support Bar To The Swivel Chair Seat

- Attach the support bar (K) to the swivel chair seat (J) using M8x20 combination bolts (BB).
- Fully tighten the bolts using the wrench (DD).



6 Inserting The Support Bar Into The Swivel Base

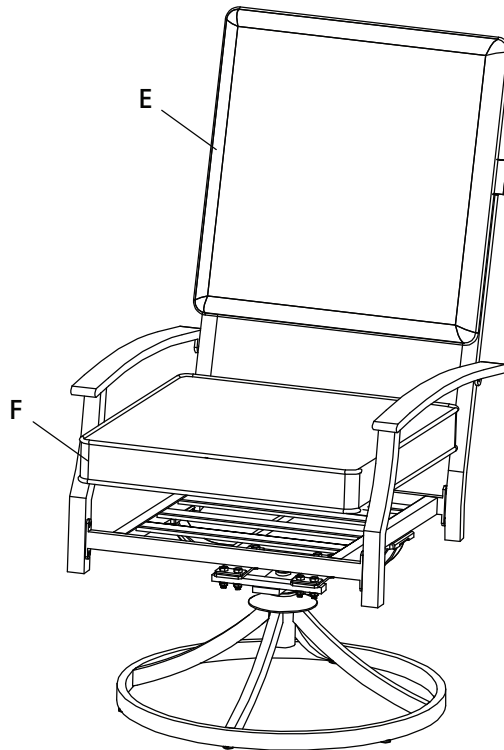
- Place the plastic cover (M) to the swivel base (L).
- Place the support bar (K) upside down and insert to the swivel base (L).



Swivel Assembly (continued)

7 Checking The Chair

- Place the seat cushion (F) and back cushion (E) to finish the assembly of the swivel chair.
- Ensure that all connections are secure before use.



Care and Cleaning

- For best results, clean the frame and fabric with a damp cloth and dry thoroughly. This will help prevent mildew by removing dirt particles that may accumulate.
- Do not clean with abrasive materials, bleach or solvents.
- Store the set in a dry sheltered place when not in use.
- Keep the set away from fire, extreme heat, freezing conditions, and inclement weather such as rain, hail, sleet, snow, or wind.

HAMPTON BAY®

Questions, problems, missing parts? Before returning to the store,
call Hampton Bay Customer Service
8 a.m. – 7 p.m., EST, Monday – Friday, 9 a.m. – 6 p.m., EST, Saturday

1-855-HD-HAMPTON

HAMPTONBAY.COM

Retain this manual for future use.

For certification use only
Factory Stationary Chair ID # FRS60786 Factory Swivel Chair ID # FRS60786S