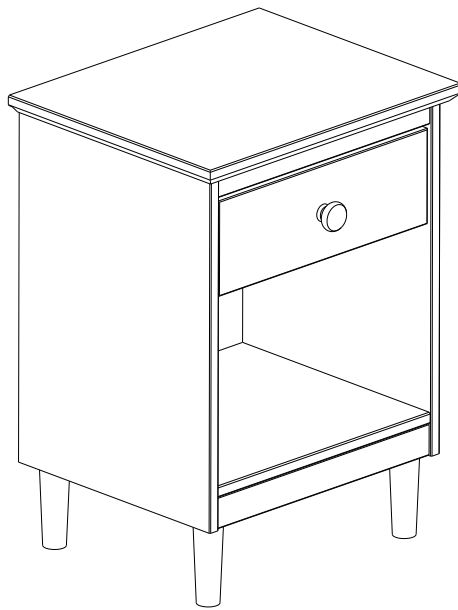


W Walker
E Edison
furniture company

Item # : BR1DNS
Assembly Instructions



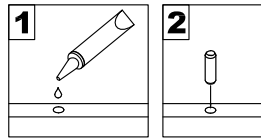
For the most current instructions, additional assembly tips, to report damage or request parts, please visit our website at www.walkerredison.com.

Keep these instructions for future reference.

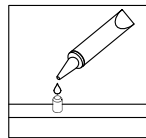
Revised 01/2018

General Assembly Guidelines

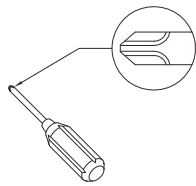
- I. Ensure that all parts and hardware are available before beginning assembly.
- II. Follow each step carefully to ensure the proper assembly of this product.
- III. Two people are recommended for ease in the assembly of this product.
- IV. The three main types of hardware used to assemble this product are wood dowels, screws and bolts.
- V. The provided glue is to secure wood dowels in place . When first inserting dowels , locate the appropriate hole for the dowel , place a small amount of glue in the hole and insert the dowel . Wipe away excess glue immediately.



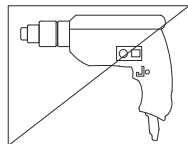
In future assembly steps when dowels are necessary to attach assembly parts together , place a small amount of glue on the end of the dowel before attaching parts together . Wipe away excess glue immediately.



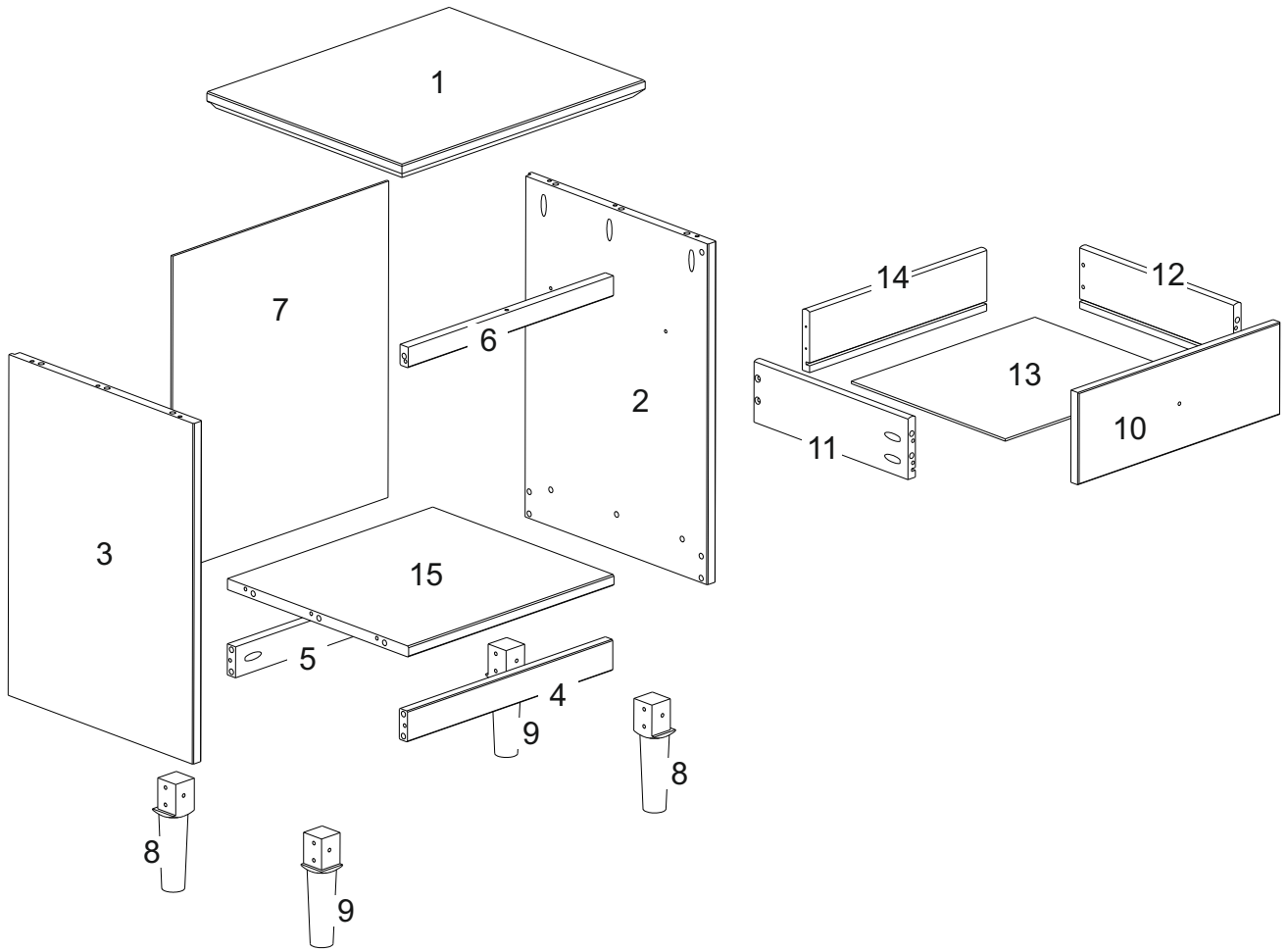
- VI. A Phillips head screwdriver is required for the assembly of this product.



- VII. Power tools should not be used to assemble this product.









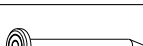
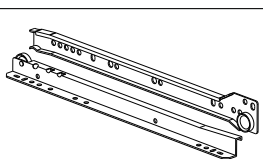
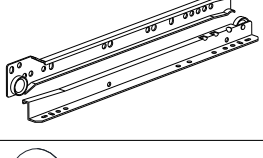
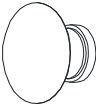
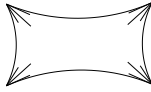
Parts List

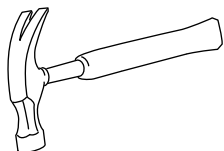


1	Top panel	01 pcs
2	Right side panel	01 pcs
3	Left side panel	01 pcs
4	Bottom front crossbeam	01 pcs
5	Back crossbeam	01 pcs
6	Upper front crossbeam	01 pcs
7	Back panel	01 pcs
8	Right foot	02 pcs

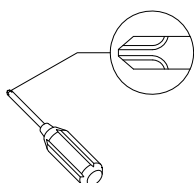
9	Left foot	02 pcs
10	Front drawer	01 pcs
11	Left side drawer	01 pcs
12	Right side drawer	01 pcs
13	Drawer bottom	01 pcs
14	Drawer back	01 pcs
15	Base	01 pcs

Hardware List

A		Ø8*30mm	Wooden dowel	26 pcs
B		Ø3,0*14mm	Screw	06 pcs
C		Ø6,0*10mm	Screw	04 pcs
D		Ø4,0*30mm	Screw	27 pcs
E		M4*22mm	Screw	01 pcs
F		Ø4,5*45mm	Screw	12 pcs
G		Ø10*10	Nail	16 pcs
H		300mm	Right Slide	01 pcs
I		300mm	Left Slide	01 pcs
J			Knob	01 pcs
K			Glue	01 pcs



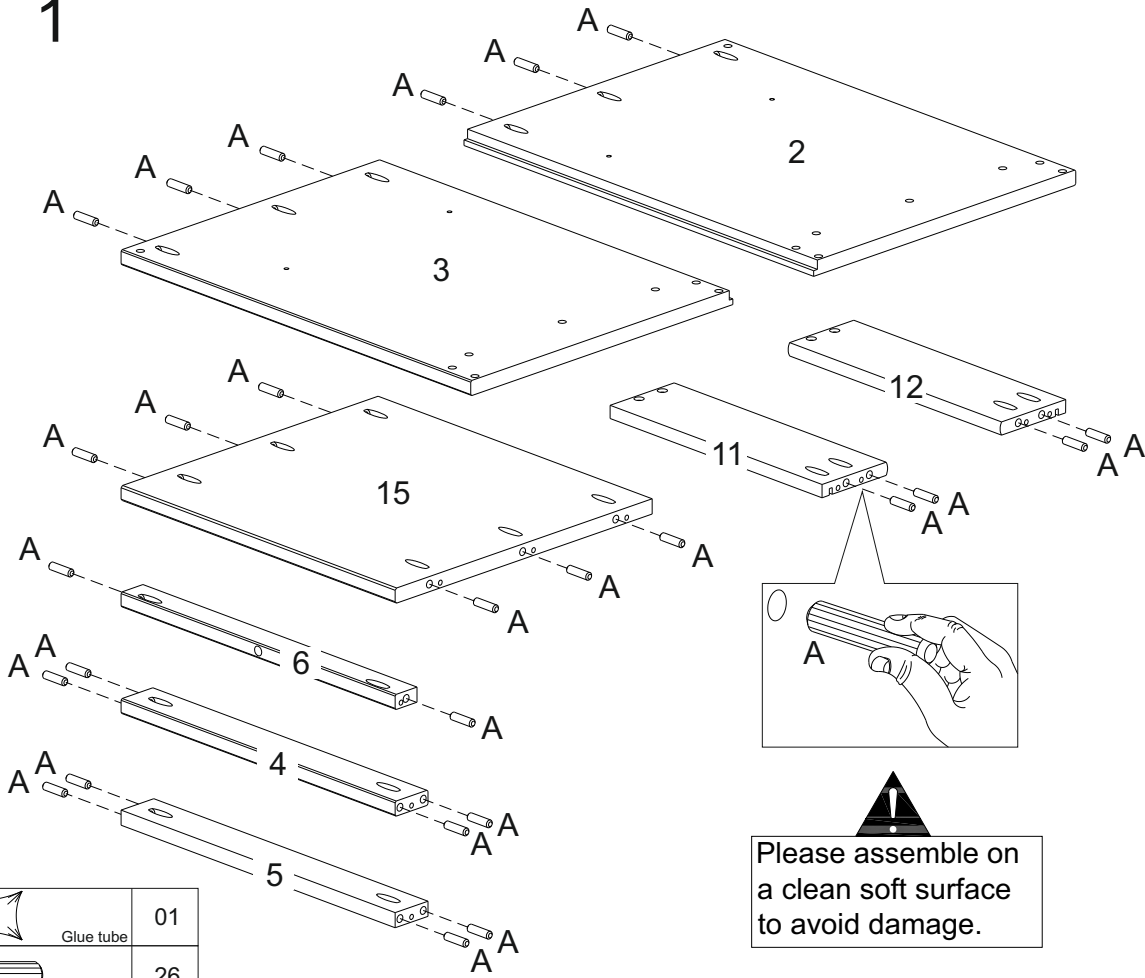
Hammer recommended for assembly
(not included)



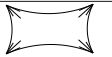

Philips head screwdriver required for assembly
(not included)

*The hardware quantities listed above are required for proper assembly.
Some extra hardware may also have been included.*

Step 1

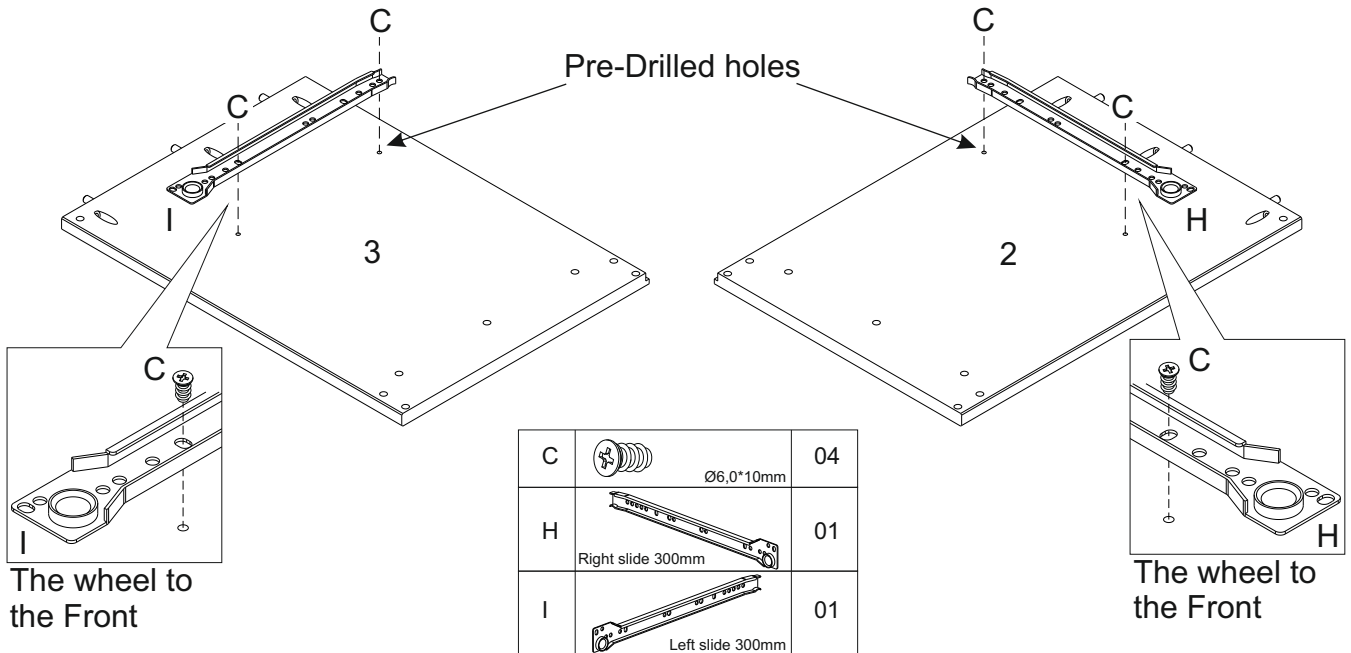



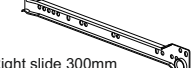
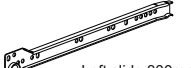
!
Please assemble on a clean soft surface to avoid damage.

K		Glue tube	01
A		Ø8*30mm	26

Step 2

!
Please assemble on a clean soft surface to avoid damage.

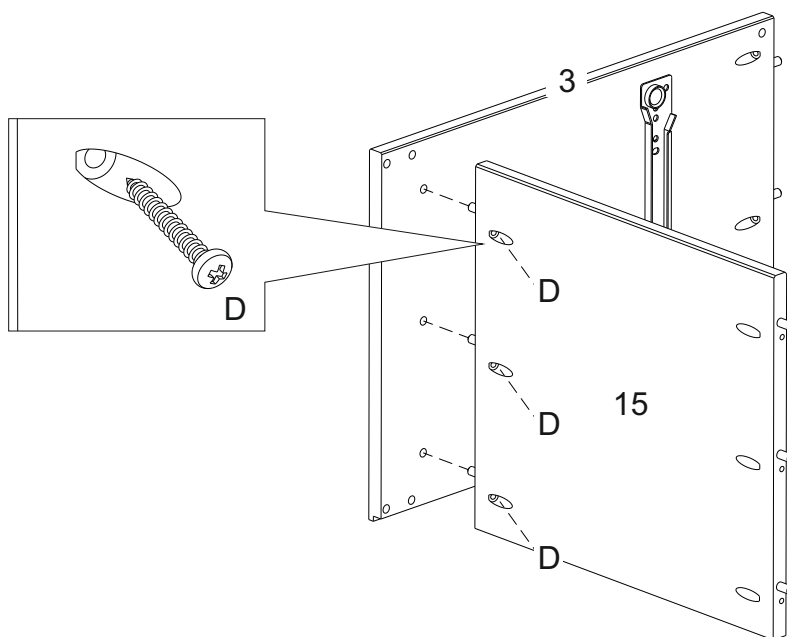




C		Ø6,0*10mm	04
H		Right slide 300mm	01
I		Left slide 300mm	01

The wheel to the Front

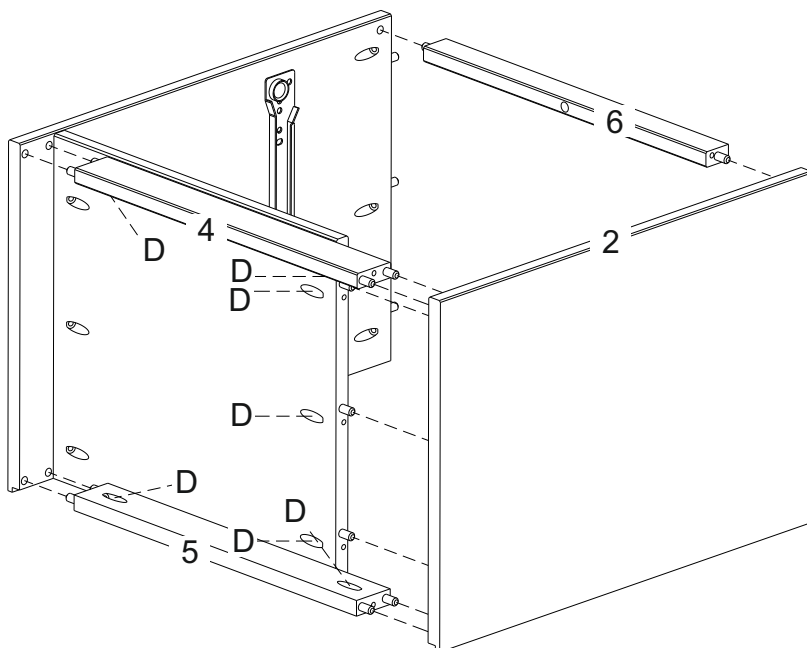
The wheel to the Front



Step 3



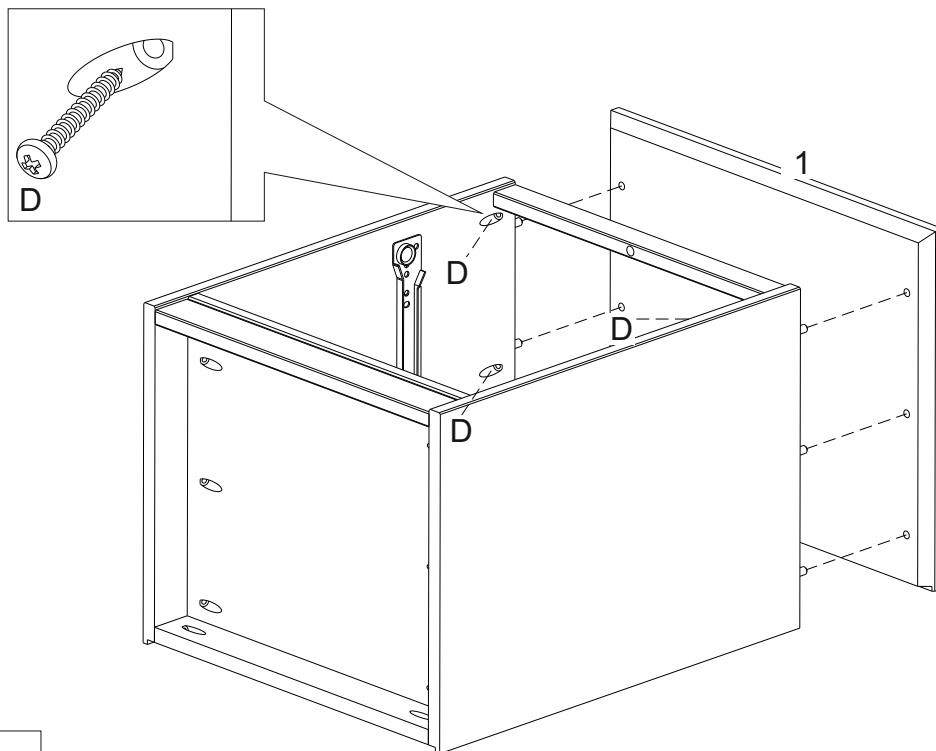
K		Glue tube	01
D		Ø4,0*30mm	03



Step 4



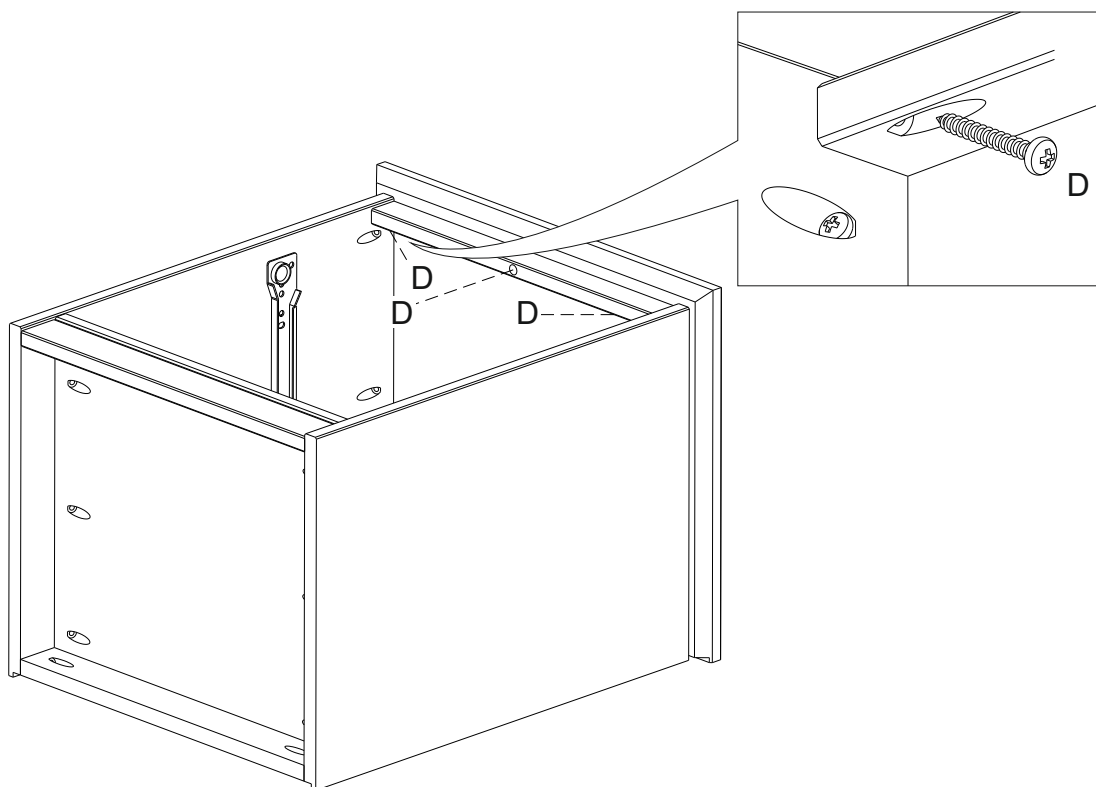
K		Glue tube	01
D		Ø4,0*30mm	07


Step 5



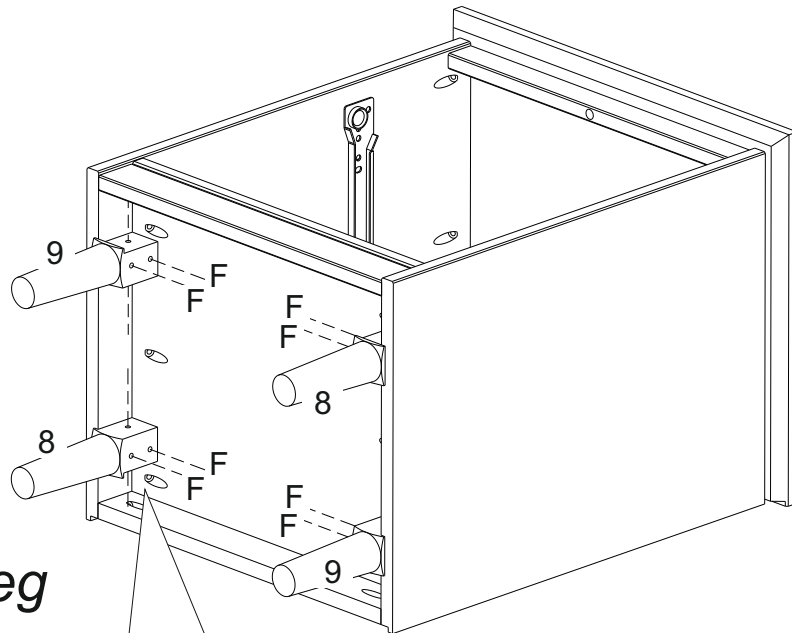
K		Glue tube	01
D		Ø4.0*30mm	06

Step 6

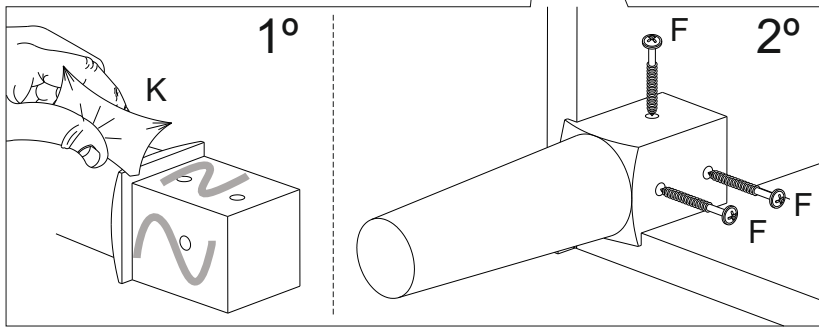


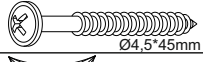

D		Ø4.0*30mm	03
---	---	-----------	----

Step 7

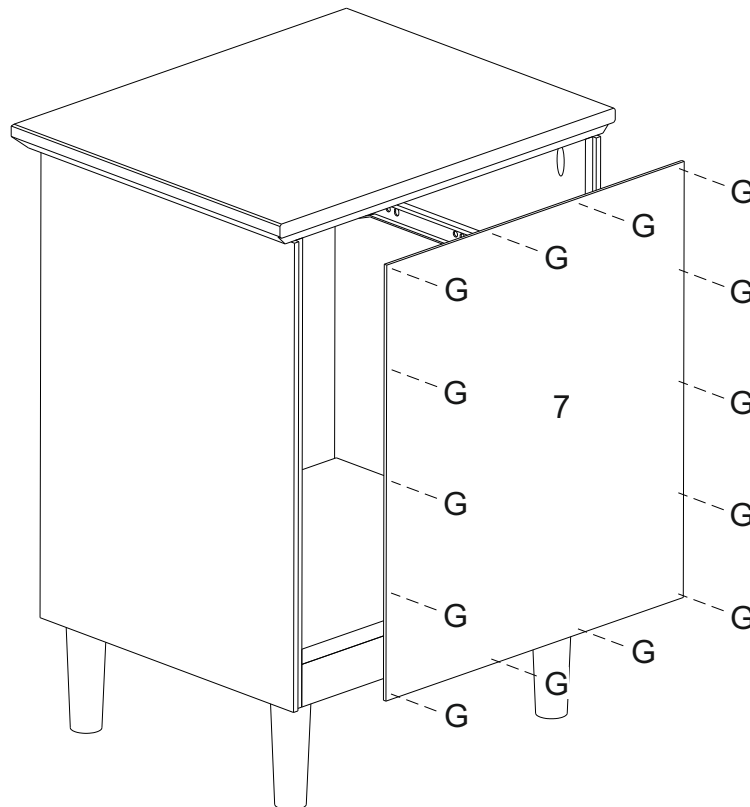


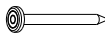
Apply glue to leg contact surfaces



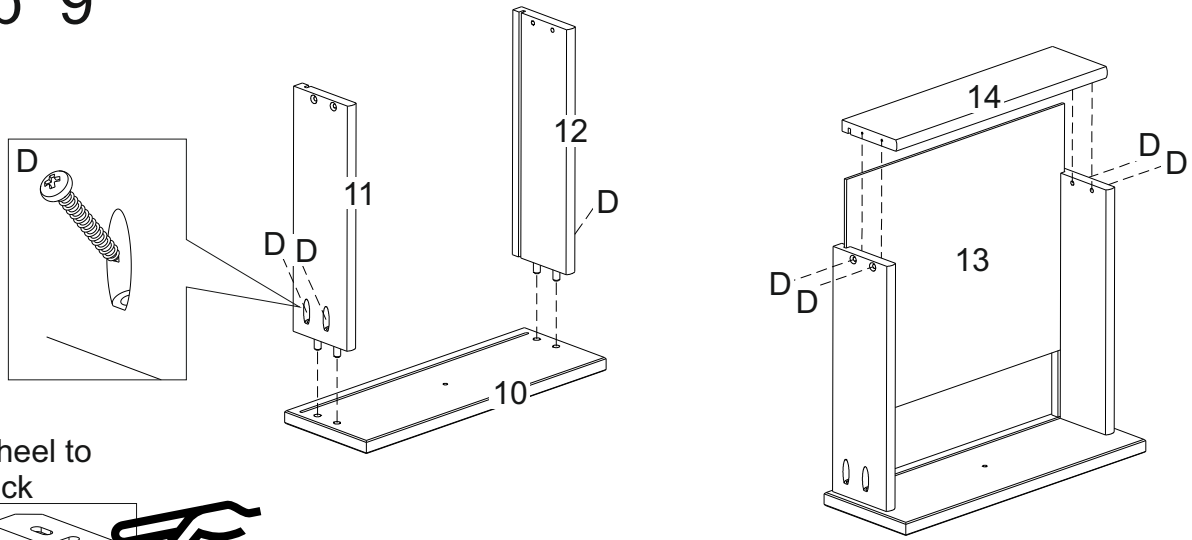
F		12
<small>Ø4,5*45mm</small>		
K		01
<small>Glue tube</small>		

Step 8

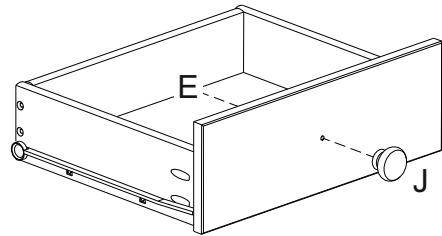
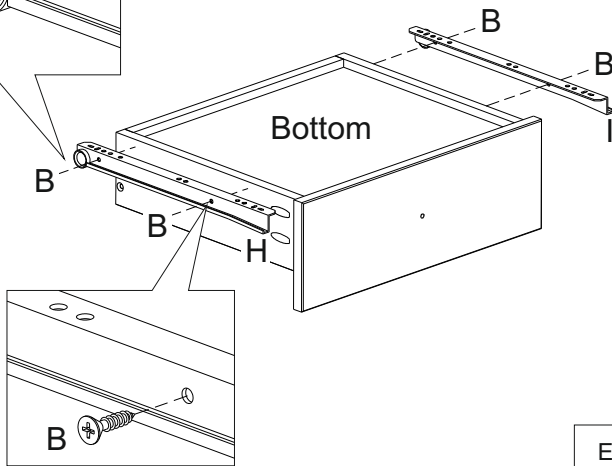
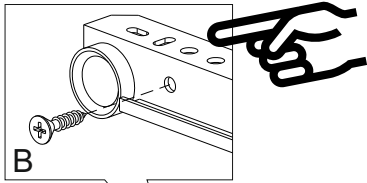




G		16
<small>Ø10*10</small>		



Step 9

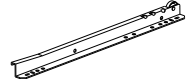



The wheel to the Back

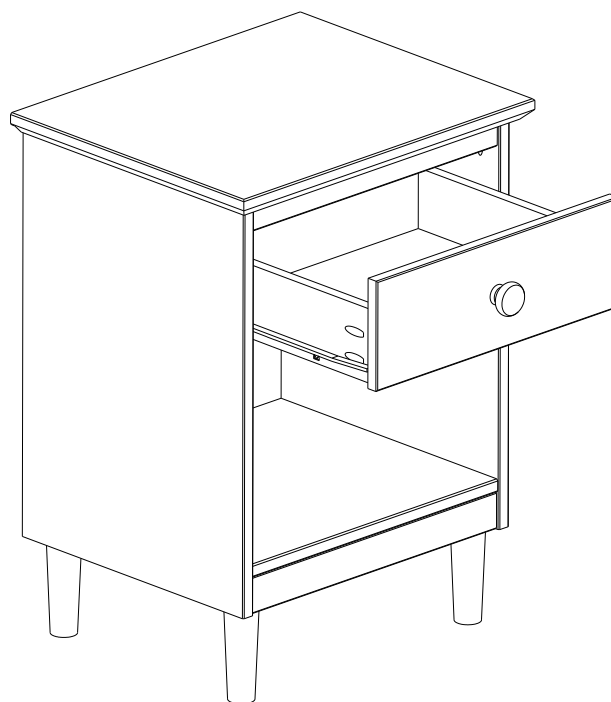


B		Ø3,0*14mm	04
D		Ø4,0*30mm	08

E		M4x22mm	01
H		Right slide 300mm	01

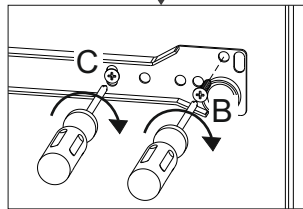
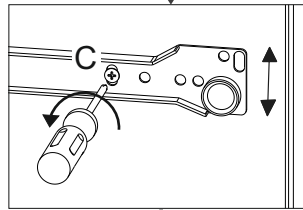
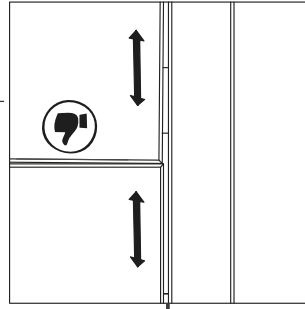
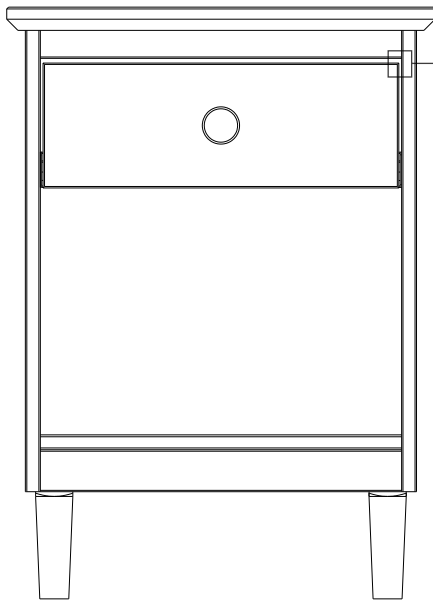
I		Left slide 300mm	01
J			01

Step 10



Step 11

ADJUST DRAWER ALIGNMENT



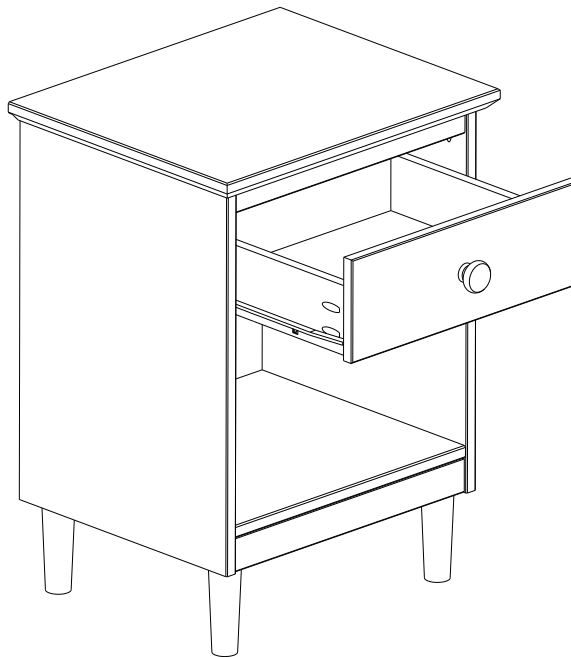
After completed assembly, it is necessary to adjust the drawer alignment to get the drawers perfectly square.

To adjust the drawer front position:

- Loosen the screw (part C) you used to install the drawer runner (either parts H or I) in step 2, to the side panel (parts 02 or 03), depending on the side (left or right), as shown.
- With the screw (part C) loosened, you can make the necessary slight adjustments (up or down) to the drawer runner to achieve the proper drawer alignment.

Once the drawer alignment is square, secure the position of the drawer runners (parts H & I) to the side panels (parts 02 & 03) by re-tightening the part C screw and adding the part B screw as shown.

Complete these steps for both the left and the right side of each drawer.



Completed Assembly !