
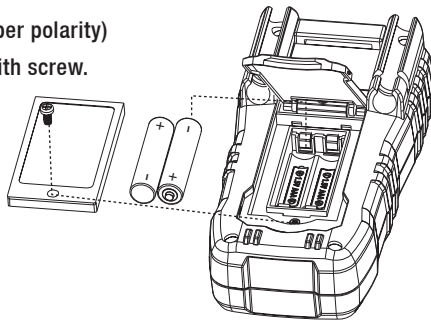




Maintenance (continued)

Battery Replacement

- When () indicator is displayed on LCD, batteries must be replaced.
- Remove screw from battery door
- Replace 2 x AAA batteries (Note proper polarity)
- Replace battery cover and secure with screw.



Fuse Replacement

- Fuse may blow if more than 200mA is applied to the $V\Omega$ socket (), more than 10A is applied to the 10A socket (), or Voltage has applied to function with current setting. To replace fuse:
- Remove 4 screws from the back and each screw from the corner Replace blown fuse(s) with:

$V\Omega$ (mA) socket: 6.3x32mm 400mA/600V

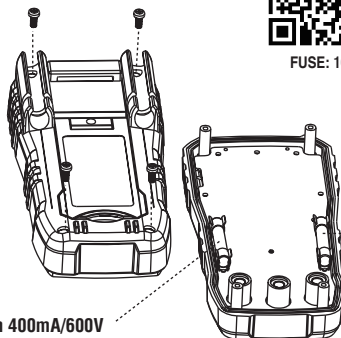
10A socket: 6.3x32mm 10A/600V



FUSE: 10A/600V



FUSE: 400mA/600V



F1: 6.3x32mm 400mA/600V

F2: 6.3x32mm 10A/600V