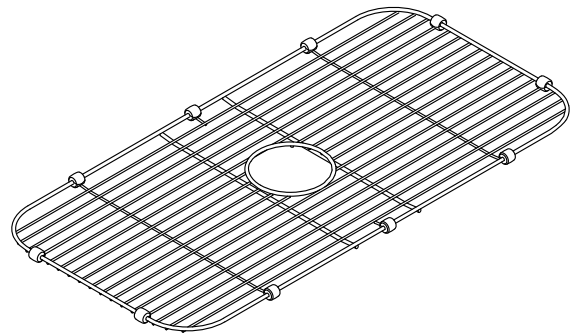


### Features

- Included with the K-5290-HCF-NA Undertone Preserve sink.
- Fits in the K-5290-NA Undertone sink.
- Durable stainless steel construction.
- Dishwasher safe.
- Rubber bumpers provide added protection.



For complete listing of available colors, go to [kohler.com](http://kohler.com).

### Codes/Standards

None Applicable

### KOHLER® One-Year Limited Warranty

See website for detailed warranty information.

### Product Specification

Kitchen sink rack shall be 27-7/16" (697 mm) in length, 13-7/16" (341 mm) in width, and 5/8" (16 mm) in height. Kitchen sink rack shall be made of stainless steel. Kitchen sink rack shall be KOHLER Model K-5474.

**KOHLER**<sup>®</sup>

**Undertone<sup>®</sup> Preserve**  
Stainless Steel Sink Rack  
**K-5474**

