

Brantford™ Technical Specification

18" & 24" Towel Bar

YB2218 & YB2224

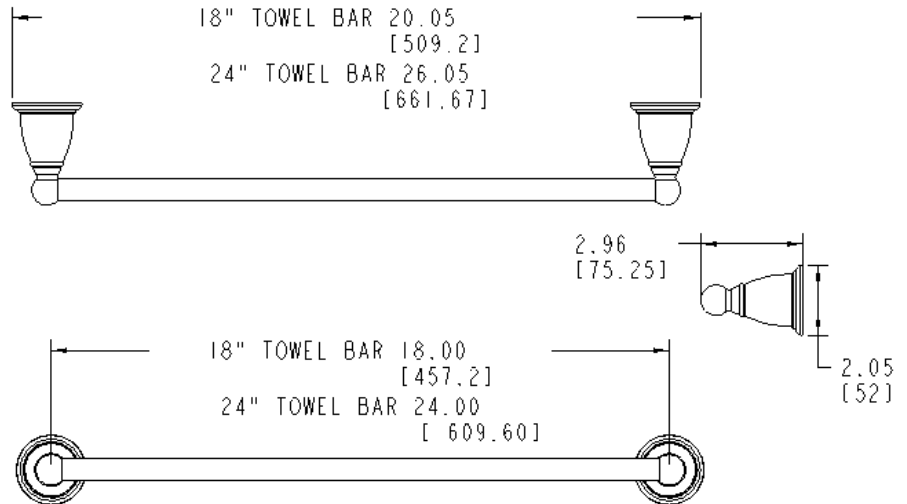
Stock Numbers:

- ❑ **YB2218BN – 18" Towel Bar**
Brushed Nickel Finish
- ❑ **YB2224BN – 24" Towel Bar**
Brushed Nickel Finish
- ❑ **YB2218CH – 18" Towel Bar**
Chrome Finish
- ❑ **YB2224CH – 24" Towel Bar**
Chrome Finish
- ❑ **YB2218ORB – 18" Towel Bar**
Oil Rubbed Bronze Finish
- ❑ **YB2224ORB – 24" Towel Bar**
Oil Rubbed Bronze Finish

Materials:

Towel Bar posts are constructed of zinc. Bar is aluminum.

Dimensions:



Installation Instructions:

Directions below are for installation into drywall. If installing product into a stud, use the wood screws only.

1. Mark the appropriate distance for your towel bar on the wall where you want to install the product.
2. Use a level to ensure that the pilot holes will be perfectly level.
3. Using 1/4" drill bit, drill one pilot hole for each post.
4. Position mounting posts to wall by inserting wall anchors into pilot holes and pressing firmly. (Make sure that locking tab on mounting post is facing down.)
5. Tighten wall anchor screw while holding mounting post firmly in place. Tighten anchor until resistance increases. DO NOT over tighten.
6. Using tip of screw bit press wall spikes (metal pieces on outer edge of mounting post) into drywall.
7. Towel bar must be attached to mounting posts as a unit – insert towel bar into each post.
8. Attach posts by pressing firmly to mounting posts until it clicks. (The square opening at the base of the post must be facing down to match-up with locking tab).

Cleaning Instructions:

To preserve the fine finish of this product, clean only with a soft damp cloth. Dry well. Do not use commercial or abrasive cleaners.

Stock Number: _____ **Towel Bar**
By Creative Specialties



25300 AL MOEN DRIVE • NORTH OLMSTED, OH 44070
CORPORATE HEADQUARTERS: (800) 321-8809 • FAX: (800) 848-6636
INTERNATIONAL: (440) 962-2000 • FAX: (440) 962-2726
CUSTOMER SERVICE (USA): 800-882-0116 • FAX: (888) 379-2720
WWW.MOEN.COM

©Copyright Creative SpecialtiesInternational

Literature #BA1396

Brantford™ Technical Specification

Paper Holder

YB2208

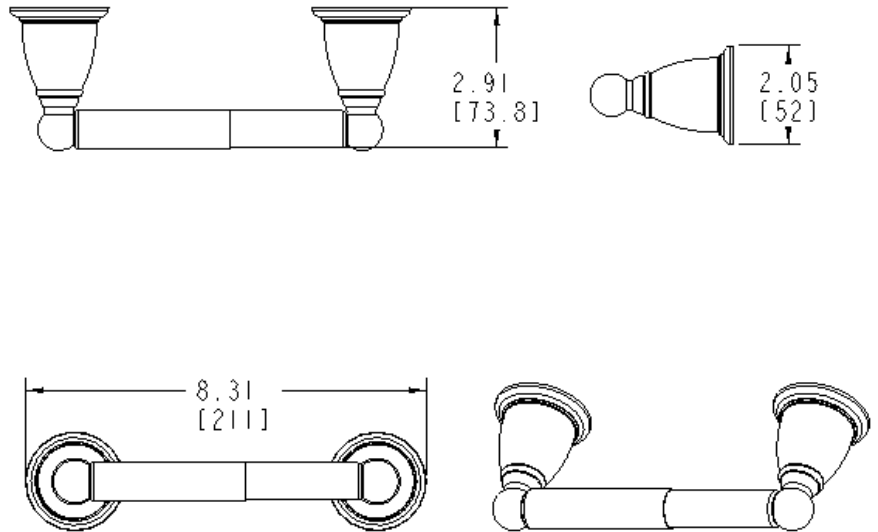
Stock Numbers:

- YB2208BN – Paper Holder
Brushed Nickel Finish
- YB2208CH – Paper Holder
Chrome Finish
- YB2208ORB – Paper Holder
Oil Rubbed Bronze Finish

Materials:

Paper Holder is constructed of zinc.

Dimensions:



Installation Instructions:

Directions below are for installation into drywall. If installing product into a stud, use the wood screws only.

1. The center to center measurement for this product is 6 1/4".
2. Mark this distance on the wall where you want to install the product.
3. Use a level to ensure that the pilot holes will be perfectly level.
4. Using 1/4" drill bit, drill one pilot hole for each post.
5. Position mounting posts to wall by inserting wall anchors into pilot holes and pressing firmly. (Make sure that locking tab on mounting post is facing down.)
6. Tighten wall anchor screw while holding mounting post firmly in place. Tighten anchor until resistance increases. DO NOT over tighten.
7. Using tip of screw bit press wall spikes (metal pieces on outer edge of mounting post) into drywall.
8. Towel bar must be attached to mounting posts as a unit – insert towel bar into each post.
9. Attach posts by pressing firmly to mounting posts until it clicks. (The square opening at the base of the post must be facing down to match-up with locking tab).

Cleaning Instructions:

To preserve the fine finish of this product, clean only with a soft damp cloth. Dry well. Do not use commercial or abrasive cleaners.

Stock Number: _____ Paper Holder
By Creative Specialties



25300 AL MOEN DRIVE • NORTH OLMSTED, OH 44070
CORPORATE HEADQUARTERS: (800) 321-8809 • FAX: (800) 848-6636
INTERNATIONAL: (440) 962-2000 • FAX: (440) 962-2726
CUSTOMER SERVICE (USA): 800-882-0116 • FAX: (888) 379-2720
WWW.MOEN.COM

©Copyright Creative Specialties International

Literature #BA1395

Brantford™ Technical Specification

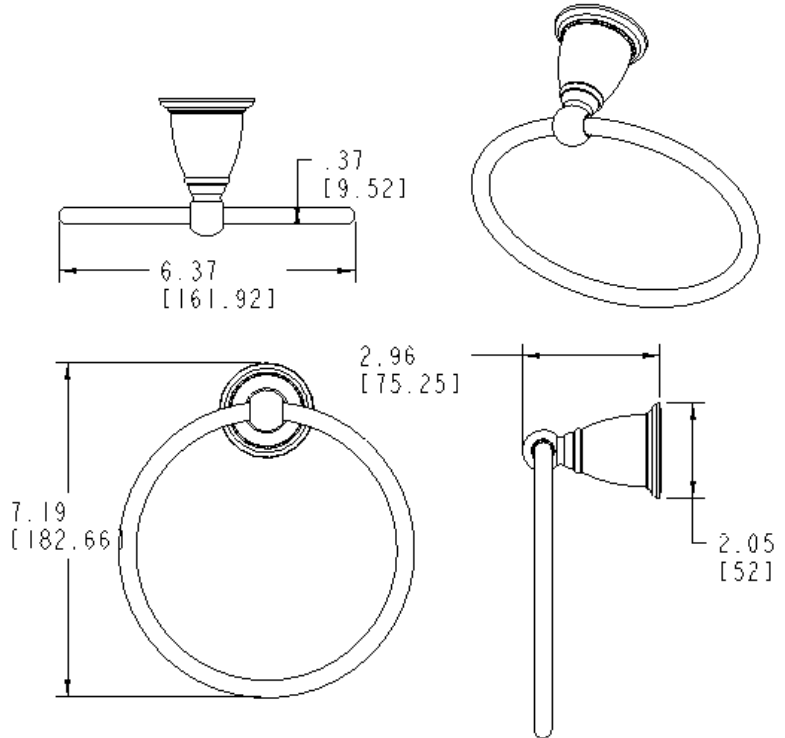
Towel Ring

YB2286

Stock Numbers:

- YB2286BN – Towel Ring
Brushed Nickel Finish
- YB2286CH – Towel Ring
Chrome Finish
- YB2286ORB – Towel Ring
Oil Rubbed Bronze Finish

Dimensions:



Materials:

Towel Ring post is constructed of zinc. Ring is aluminum.

Installation Instructions:

Directions below are for installation into drywall. If installing product into a stud, use the wood screws only.

1. Using 1/4" drill bit, drill one pilot hole for post.
2. Position mounting post to wall by inserting wall anchor into pilot hole and pressing firmly.
3. Make sure that locking tab on mounting post is facing down.
4. Tighten wall anchor screw while holding mounting post firmly in place. Tighten anchor until resistance increases. DO NOT over tighten.
5. Using tip of screw bit press wall spikes (metal pieces on outer edge of mounting post) into drywall.
6. Attach post by pressing firmly to mounting post until it clicks. (The square opening at the base of the post must be facing down to match-up with locking tab).

Cleaning Instructions:

To preserve the fine finish of this product, clean only with a soft damp cloth. Dry well. Do not use commercial or abrasive cleaners.

Stock Number: _____ Towel Ring
By Creative Specialties



25300 AL MOEN DRIVE • NORTH OLMSTED, OH 44070
CORPORATE HEADQUARTERS: (800) 321-8809 • FAX: (800) 848-6636
INTERNATIONAL: (440) 962-2000 • FAX: (440) 962-2726
CUSTOMER SERVICE (USA): 800-882-0116 • FAX: (888) 379-2720
WWW.MOEN.COM

©Copyright Creative Specialties International

Literature #BA1397