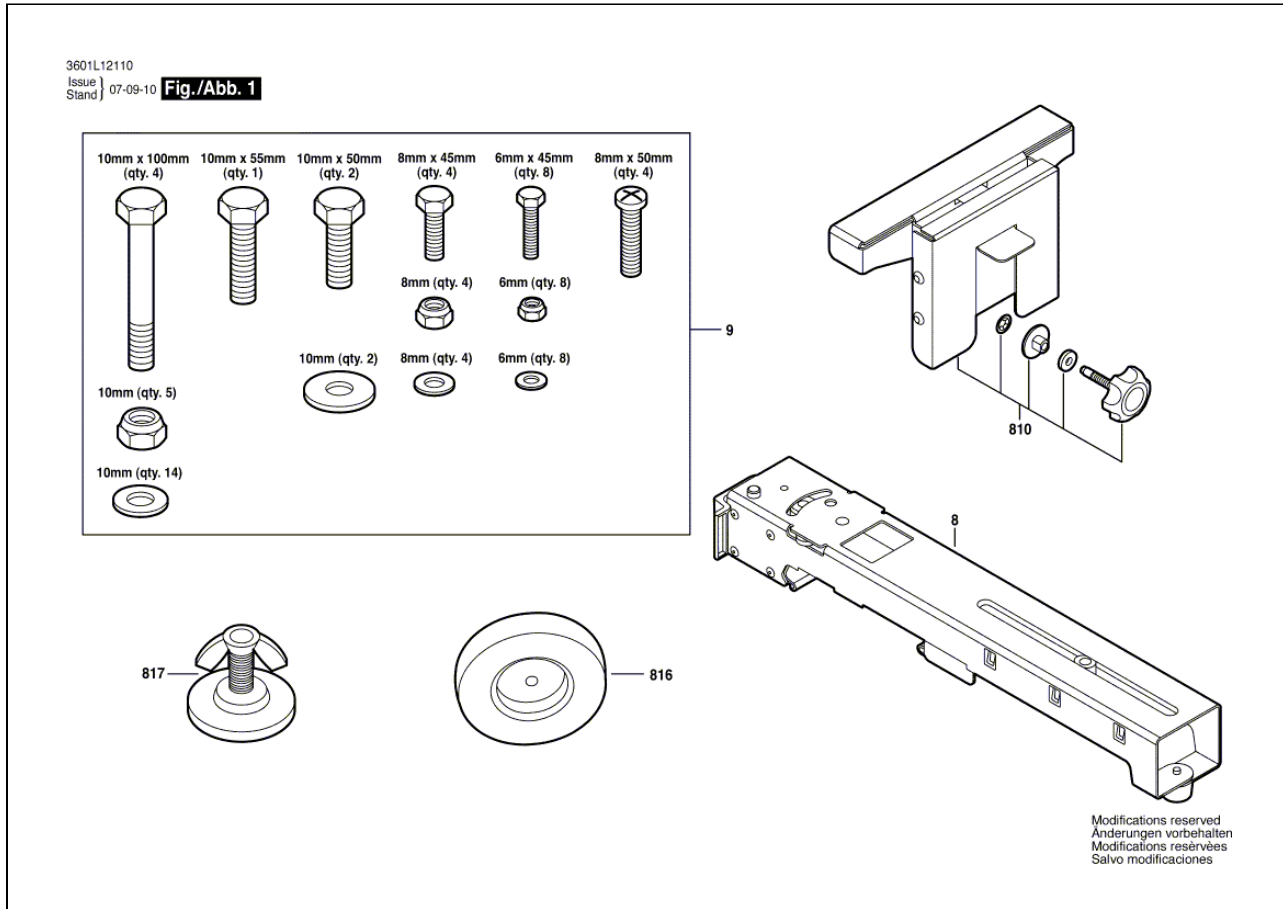


STAND
3 601 L12 110 T4B

08.10.2010 18:10:35



Item	Quantity	Order No.	Designation	Price group	Page
8	1	2 610 948 622	MOUNTING DEVICE	38	1
9	1	2 610 953 397	FASTENING PARTS KIT	23	1
810	1	2 610 953 398	ASSEMBLY KIT	30	1
816	2	2 610 923 994	WHEEL	31	1
817	1	2 610 923 996	SUPPORTING FOOT	28	1