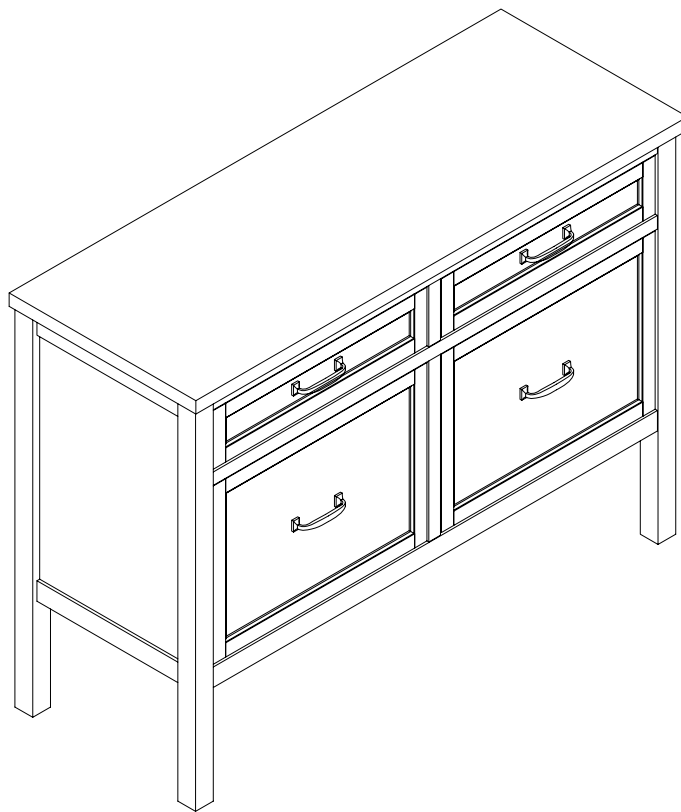


## USE AND CARE GUIDE

---

### FILE CONSOLE WITH 4 DRAWERS



Questions, problems, missing parts? Before returning to the store,  
call Home Decorators Collection Customer Service.  
8 a.m. – 7 p.m., EST, Monday – Friday, 9 a.m. – 6 p.m., EST, Saturday

**1-800-998-7021**

**[HOMEDEPOT.COM/HOMEDECORATORS](http://HOMEDEPOT.COM/HOMEDECORATORS)**

---

#### **THANK YOU**

*We appreciate the trust and confidence you have placed in Home Decorators Collection through the purchase of this file console with 4 drawers. We strive to continually create quality products designed to enhance your home. Visit us online to see our full line of products available for your home improvement needs. Thank you for choosing Home Decorators Collection!*

# Table of Contents

Table of Contents.....	2	Hardware Included.....	3
Safety Information.....	2	Pre-assembly (continued).....	4
Warranty.....	2	Package Contents.....	4
3 Year Warranty.....	2	Assembly.....	5
What is Covered.....	2		
What is Not Covered.....	2		
Pre-assembly.....	3		
Planning Assembly.....	3		
Tools Required.....	3		

# Safety Information



## DANGER

- Keep small parts away from children during assembly.
- Read and follow instructions carefully.



## WARNING

- Read these instructions carefully and keep in a safe place.
- TO GUARANTEE THE SAFE USE OF THIS PRODUCT, FOLLOW THE WARNINGS, GUIDELINES AND RECOMMENDATIONS IN THIS MANUAL.
- Adult assembly required.
- Small parts may present choking hazard prior to assembly.
- Do not place heavy objects on the glass top.
- Some assembly may involve attaching glass or mirrors.
- Be very careful handling the glass or mirrors, as severe injury may result if the glass or mirror breaks.
- Never handle large pieces of glass or mirrors by yourself.



## CAUTION

- Do not use power tools to assemble your furniture. Power tools may strip or damage parts/product.
- Do not overtighten connectors (screws, bolts, etc.). Overtightening can lead to product damage.
- Be sure to check all packing materials carefully for small parts that may have come loose inside the carton during shipment. If parts are missing, contact THE HOME DEPOT to obtain any missing parts.
- DO NOT USE SUBSTITUTE PARTS.
- This product should only be used on a flat, level surface.

# Warranty

## 3 YEAR WARRANTY

### WHAT IS COVERED

We guarantee this product to be free of manufacturing defects to the original purchaser for three years.

### WHAT IS NOT COVERED

This warranty does not cover commercial use, acts of nature, and abusive use.

# Pre-assembly

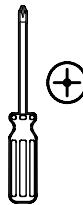
## PLANNING ASSEMBLY

Keep children and pets away from build area. Make sure your area is large enough to unpack, sort and assemble the unit.

## TOOLS REQUIRED



Small head  
Phillips  
screwdriver



Large head  
Phillips  
screwdriver

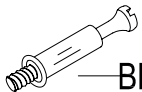
## HARDWARE INCLUDED



**NOTE:** Hardware not shown to actual size.



—AA



—BB



—CC



—DD



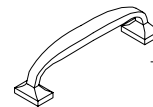
—EE



—FF



—GG



—HH



(1) x 2



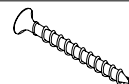
(2) x 1



(3) x 1



(4) x 1



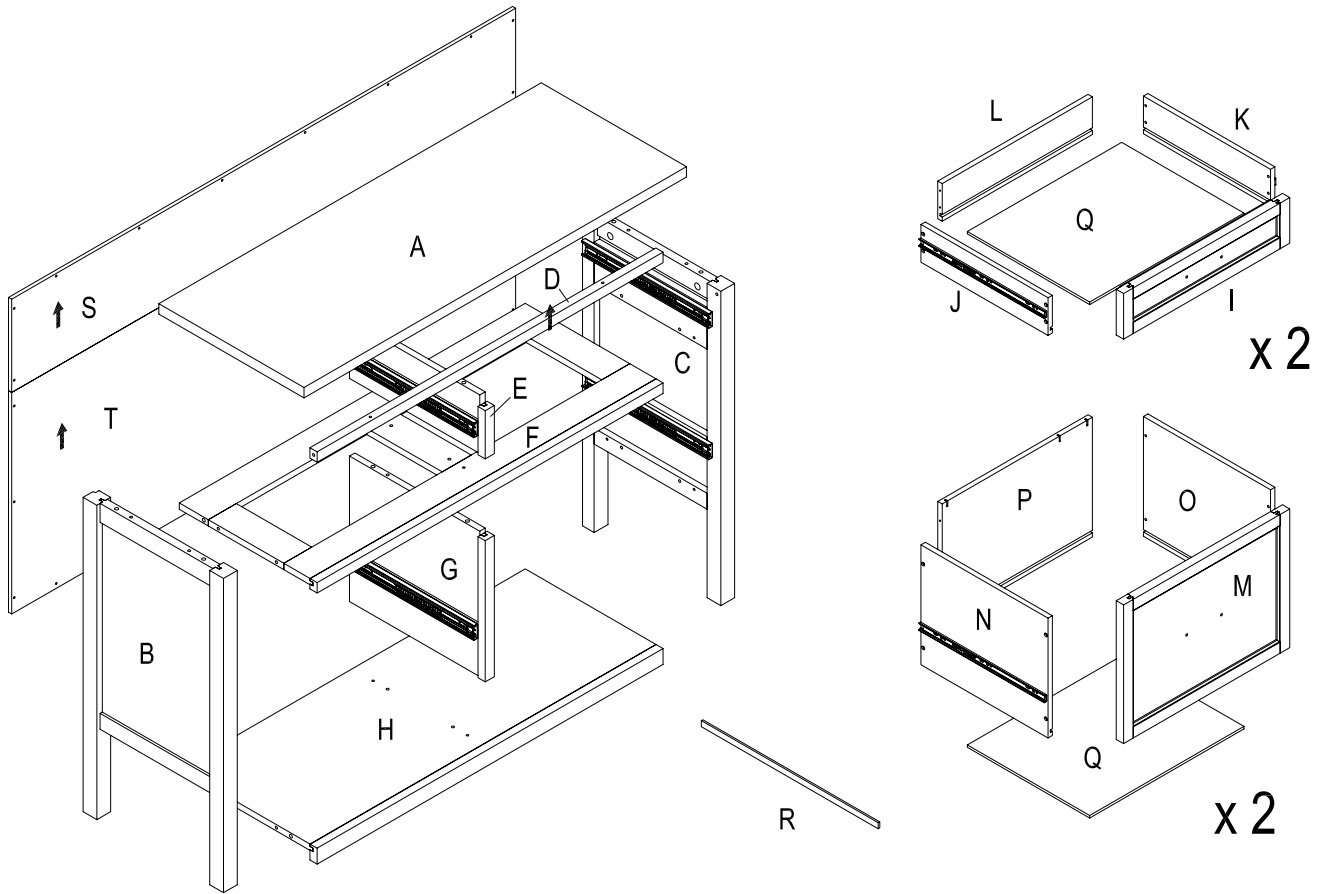
(5) x 1

—II

Part	Description	Quantity
AA	Wood dowel	22
BB	Cam lock bolt	20
CC	Cam lock	20
DD	Metal plate	5
EE	1 in. Flat head screw	34
FF	5/8 in. Round head screw	28
GG	Bolt	8
HH	Handle	4
II	Anti-tipping hardware package	1

# Pre-assembly (continued)

## PACKAGE CONTENTS



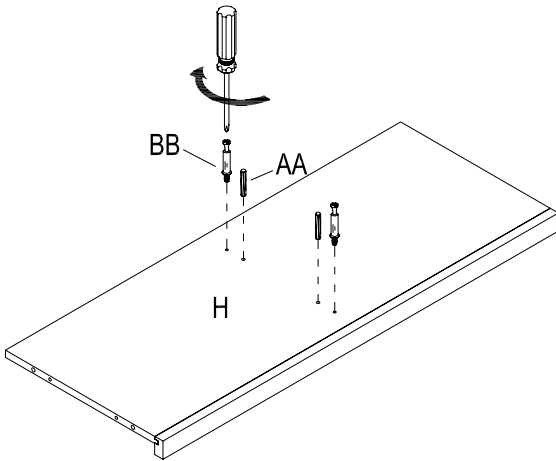
Part	Description	Quantity
A	Top panel	1
B	Left side panel	1
C	Right side panel	1
D	Crossbar	1
E	Top partition	1
F	Fixed panel	1
G	Bottom partition	1
H	Bottom panel	1
I	Small drawer front panel	2
J	Small drawer left side panel	2

Part	Description	Quantity
K	Small drawer right side panel	2
L	Small drawer back panel	2
M	Large drawer front panel	2
N	Large drawer left side panel	2
O	Large drawer right side panel	2
P	Large drawer back panel	2
Q	Drawer bottom panel	4
R	Metal bar	4
S	Top back panel	1
T	Bottom back panel	1

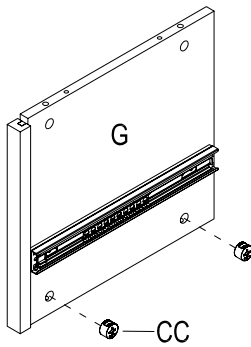
# Assembly

## 1 Attaching the bottom partition to the bottom panel

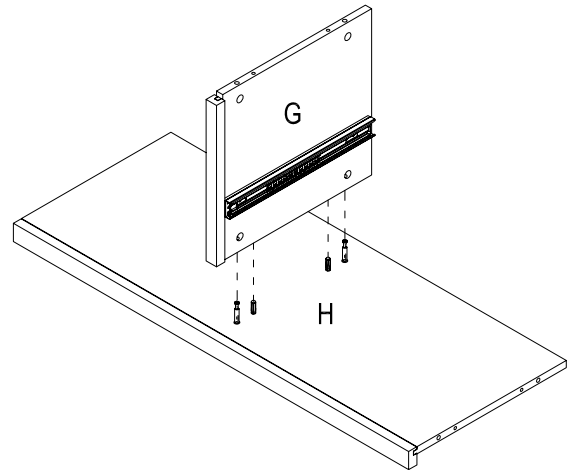
- a) Install dowel (AA) and bolt (BB) into panel (H).



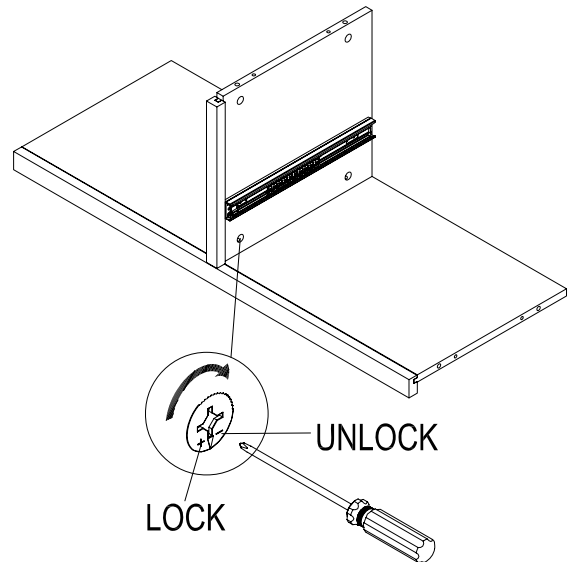
- b) Insert lock (CC) into partition (G).



- c) Join partition (G) to the panel (H) with dowel (AA).



- d) Tighten bolt (BB) with lock (CC) in the pre-drilled holes.



Wood dowel

Cam lock bolt

Cam lock

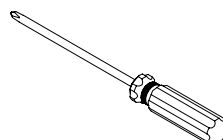
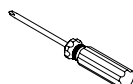
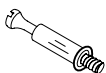
Small head

Large head

(AA) x 2

(BB) x 2

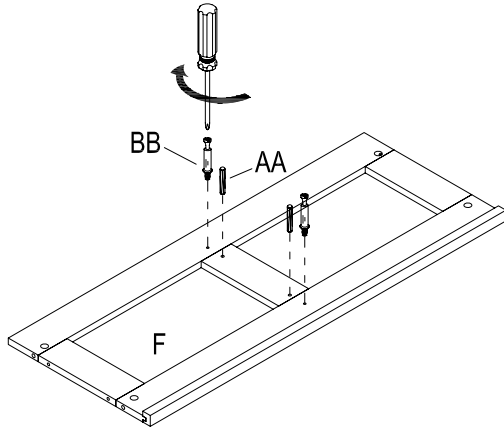
(CC) x 2



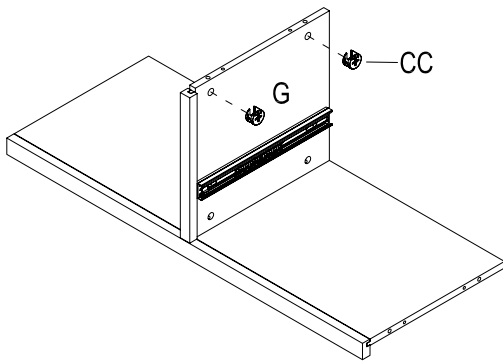
# Assembly (continued)

## 2 Attaching the fixed panel

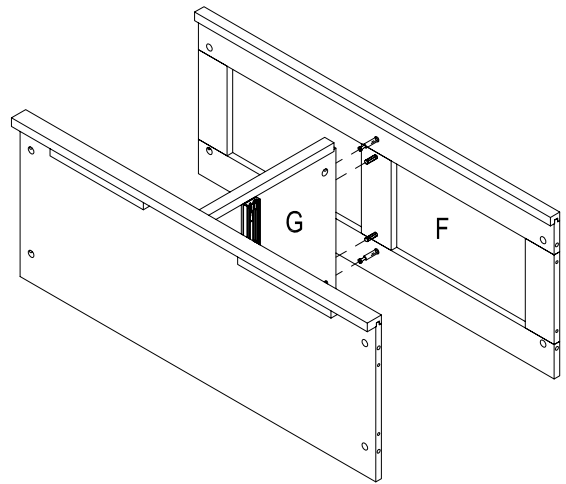
- a) Install dowel (AA) and bolt (BB) into panel (F).



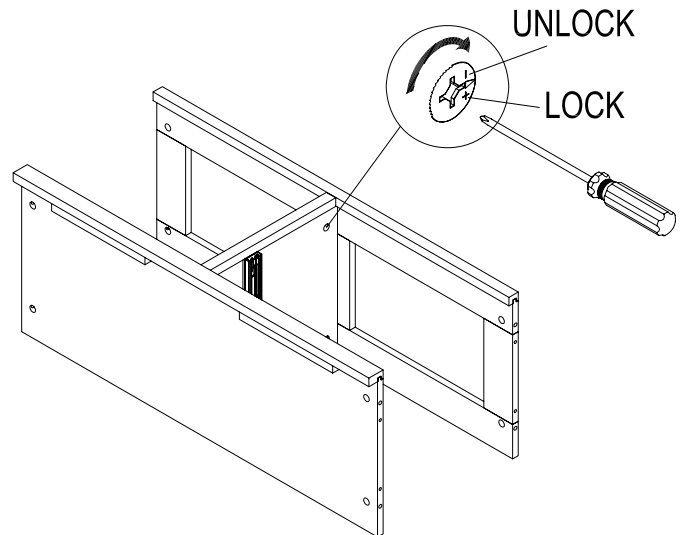
- b) Insert lock (CC) into partition (G).



- c) Join panel (F) to the partition (G) with dowel (AA).



- d) Tighten bolt (BB) with lock (CC) in the pre-drilled holes.

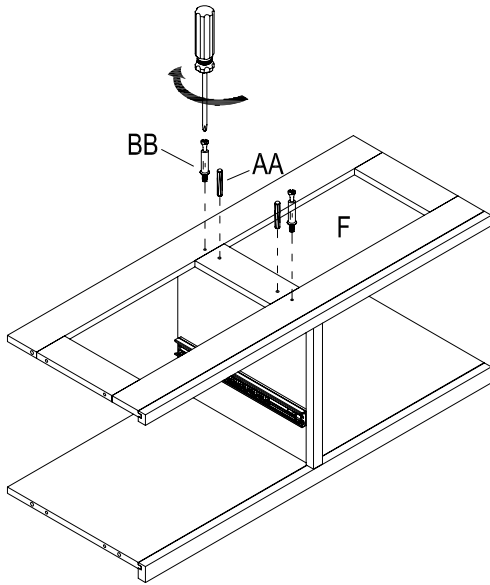


Wood dowel	Cam lock bolt	Cam lock	Small head	Large head
(AA) x 2	(BB) x 2	(CC) x 2		

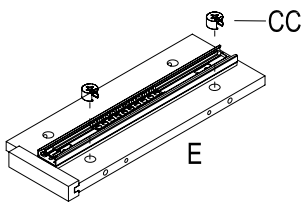
# Assembly (continued)

## 3 Attaching the top partition

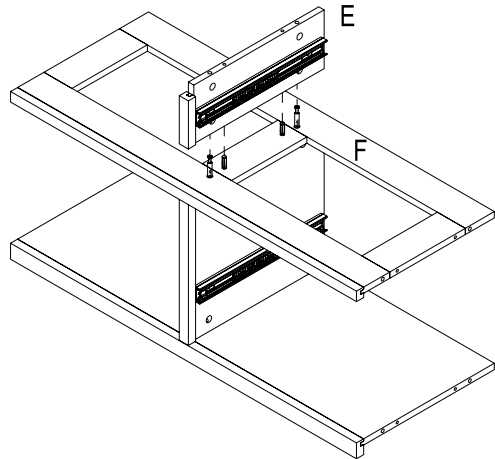
- a) Install dowel (AA) and bolt (BB) into panel (F).



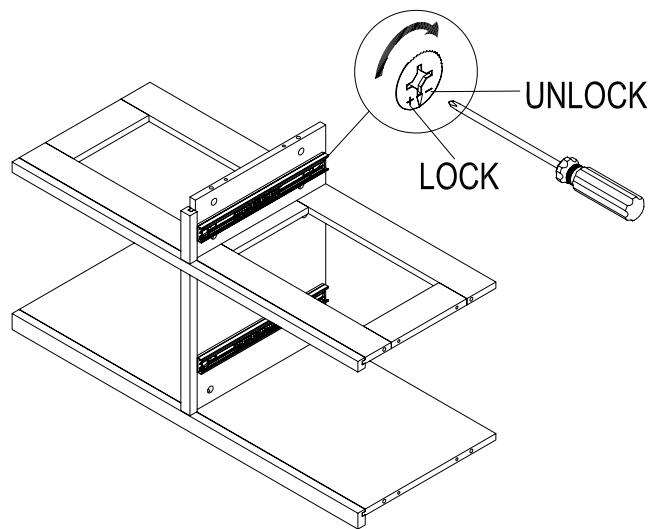
- b) Insert lock (CC) into partition (E).



- c) Join partition (E) to the panel (F) with dowel (AA).



- d) Tighten bolt (BB) with lock (CC) in the pre-drilled holes.



Wood dowel

Cam lock bolt

Cam lock

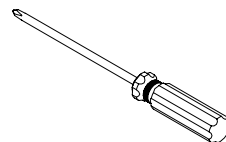
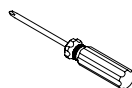
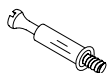
Small head

Large head

(AA) x 2

(BB) x 2

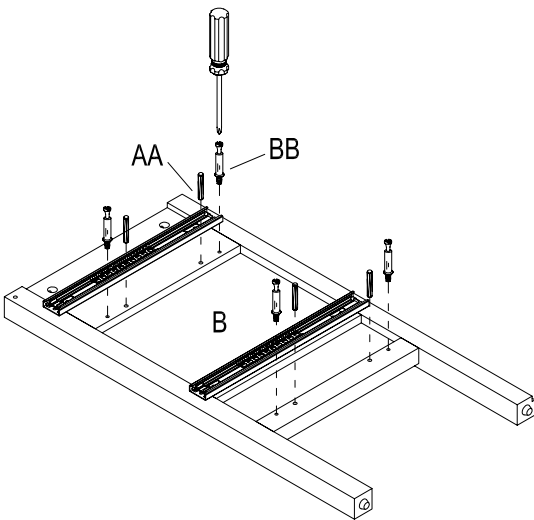
(CC) x 2



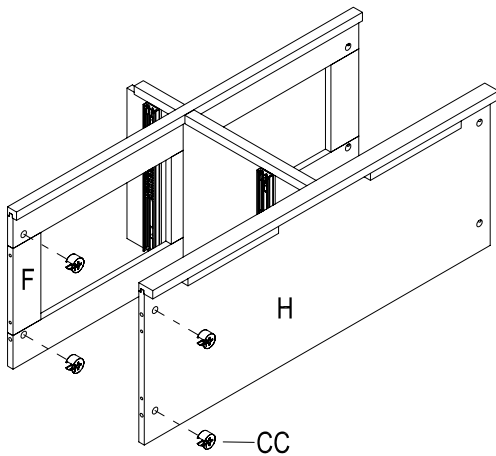
# Assembly (continued)

## 4 Attaching the left side panel

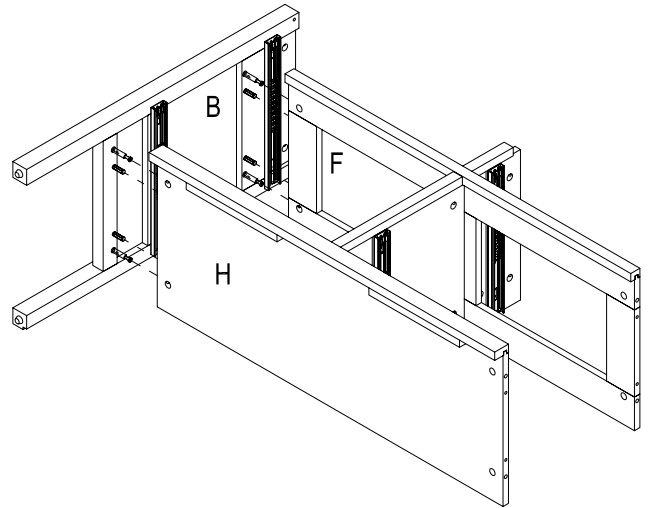
- a) Install dowel (AA) and bolt (BB) into panel (B).



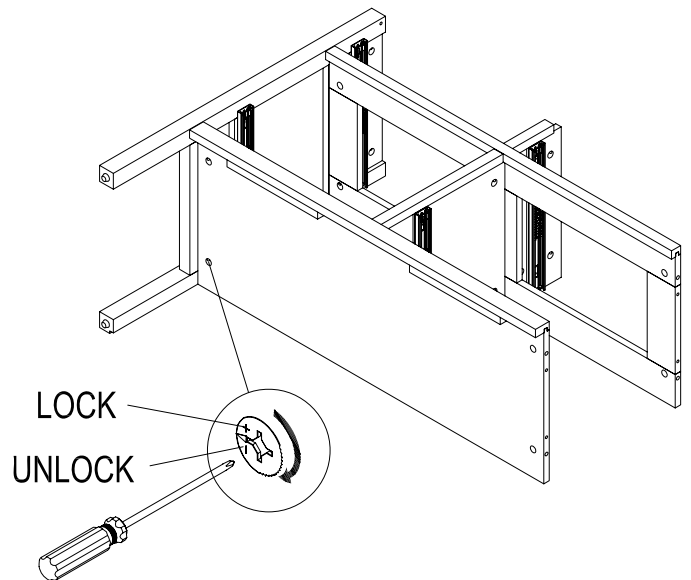
- b) Insert lock (CC) into panels (F) and (H).



- c) Join panel (B) to the assembled body with dowel (AA).



- d) Tighten bolt (BB) with lock (CC) in the pre-drilled holes.

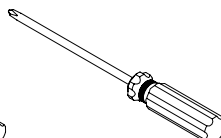
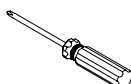
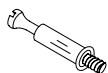


Wood dowel    Cam lock bolt    Cam lock    Small head    Large head

(AA) x 4

(BB) x 4

(CC) x 4

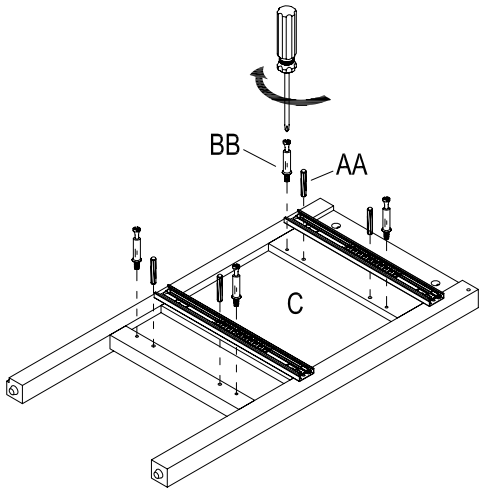




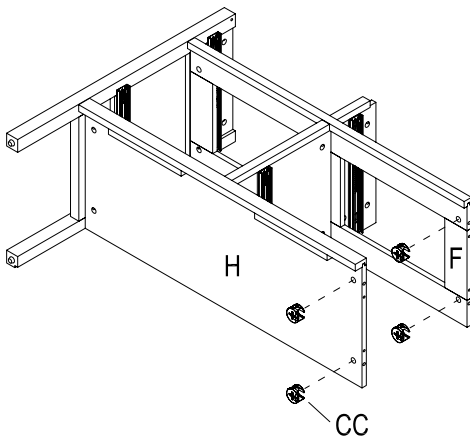
# Assembly (continued)

## 5 Attaching the right side panel and crossbar

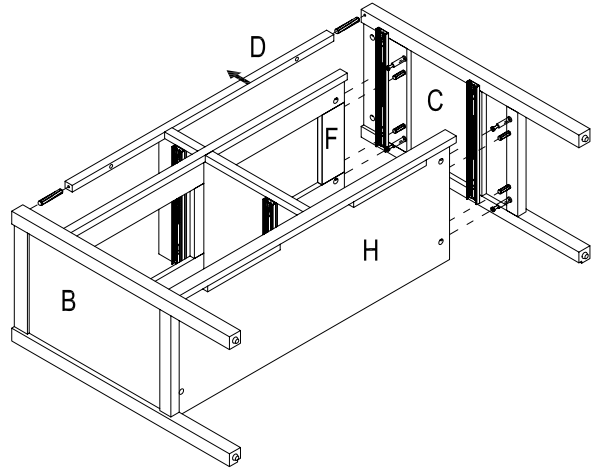
- a) Install dowel (AA) and bolt (BB) into panel (C).



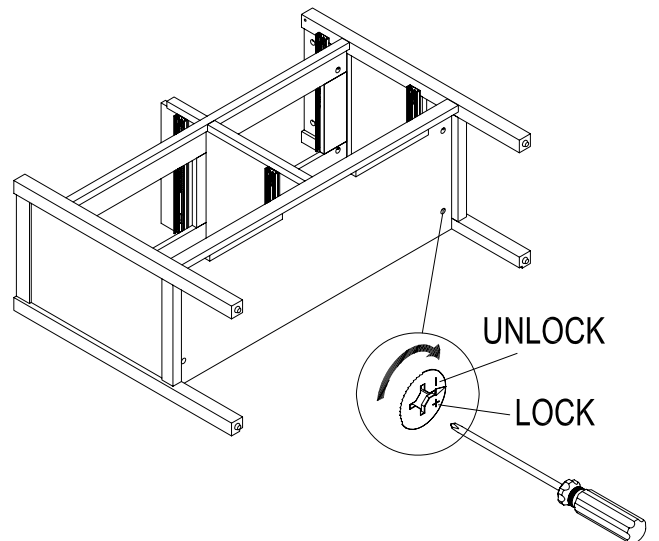
- b) Insert lock (CC) into panels (F) and (H).



- c) Join panel (C) and bar (D) to the assembled body with dowel (AA).



- d) Tighten bolt (BB) with lock (CC) in the pre-drilled holes.



Wood dowel

Cam lock bolt

Cam lock

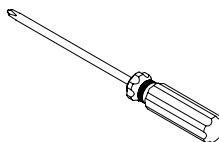
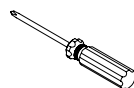
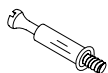
Small head

Large head

(AA) x 6

(BB) x 4

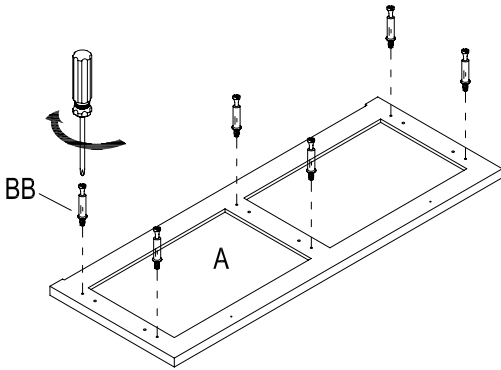
(CC) x 4



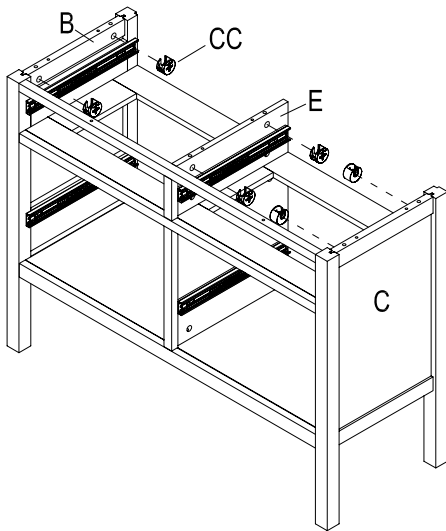
# Assembly (continued)

## 6 Attaching the top panel

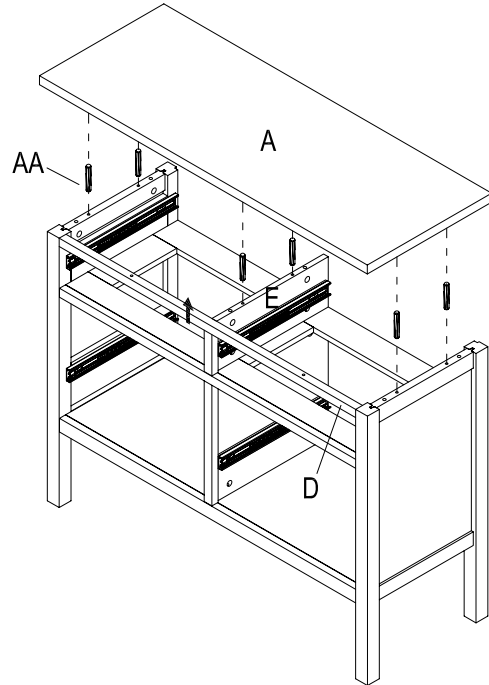
- a) Install bolt (BB) into panel (A).



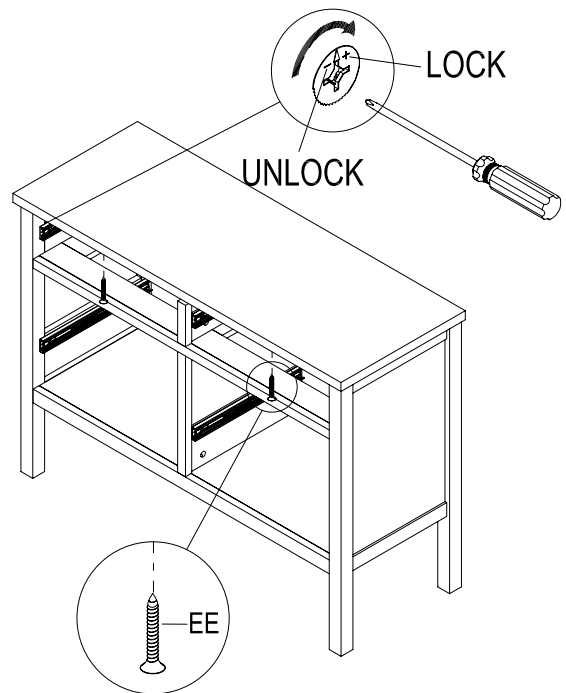
- b) Insert lock (CC) into panels (B) and (C), and partition (E).



- c) Join panel (A) to the assembled body with dowel (AA).



- d) Tighten bolt (BB) with lock (CC) in the pre-drilled holes. Tighten bar (D) with screw (EE).



Wood dowel

Cam lock bolt

Cam lock

1 in. Flat head screw

Small head

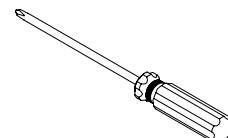
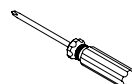
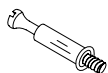
Large head

(AA) x 6

(BB) x 6

(CC) x 6

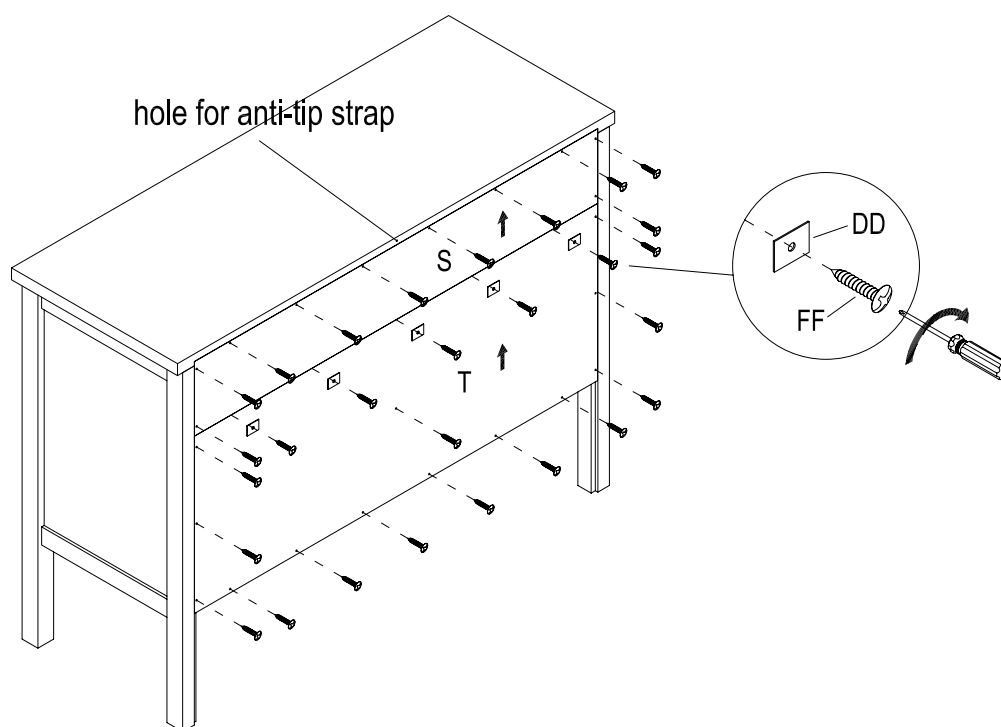
(EE) x 2



## Assembly (continued)

### 7 Attaching the back panel

- Tighten panels (S) and (T) to the assembled body with screw (FF) and metal plates (DD) as shown.



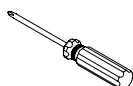
5/8 in. Round head  
screw  
(FF) x 28



Metal plate  
(DD) x 5



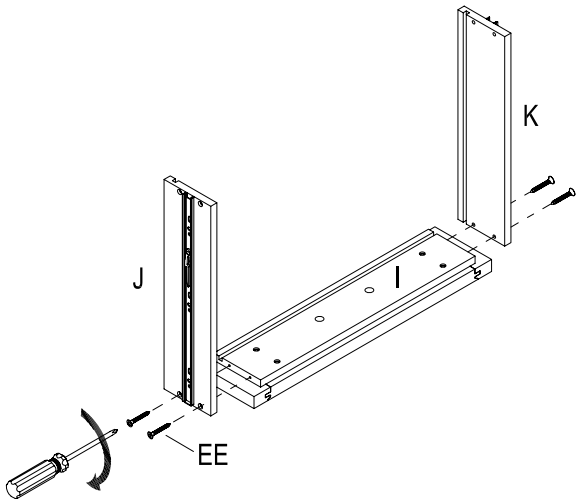
Small head



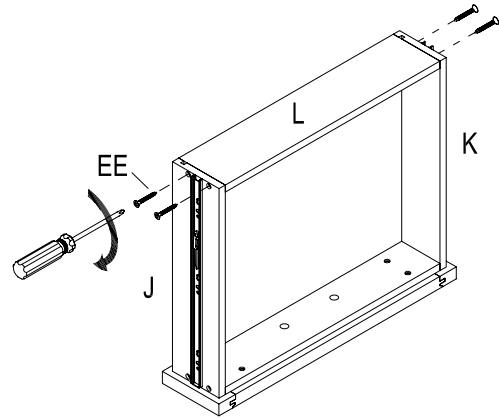
# Assembly (continued)

## 8 Assembling the small drawer

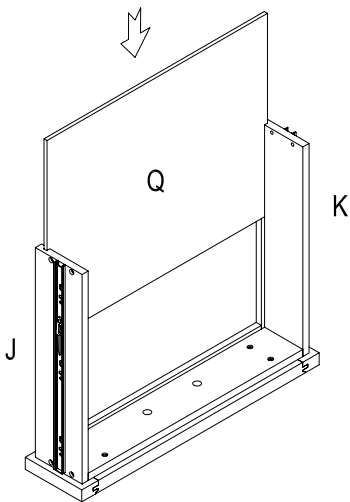
- a) Tighten panels (J) and (K) to panel (I) with screw (EE).



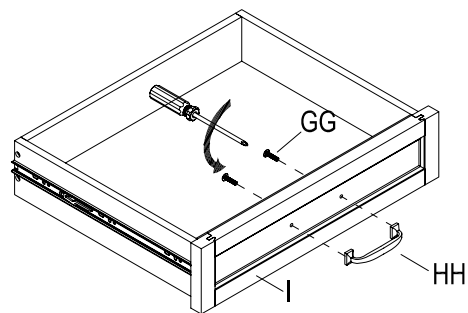
- c) Tighten panel (L) to the assembled body with screw (EE).



- b) Side panel (Q) into the grooves on panels (J) and (K).



- d) Tighten handle (HH) to panel (I) with bolt (GG).



Handle

Bolt

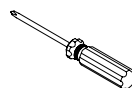
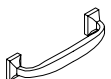
1 in. Flat head screw

Small head

(HH) x 2

(GG) x 4

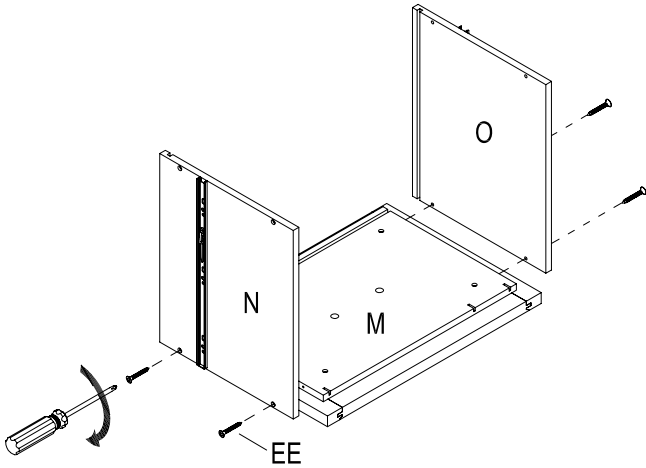
(EE) x 16



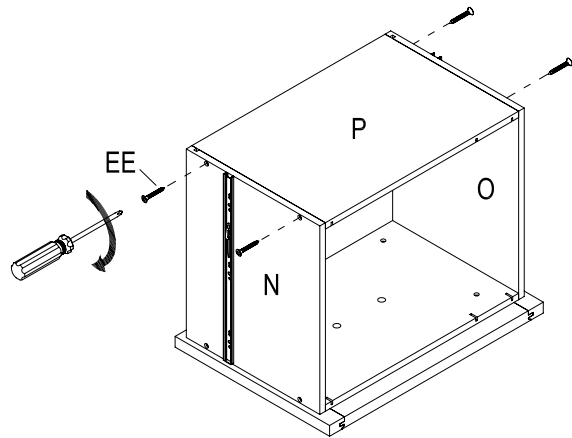
# Assembly (continued)

## 9 Assembling the large drawer

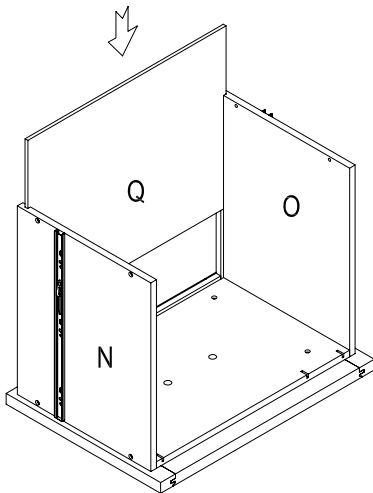
- a) Tighten panels (N) and (O) to panel (M) with screw (EE).



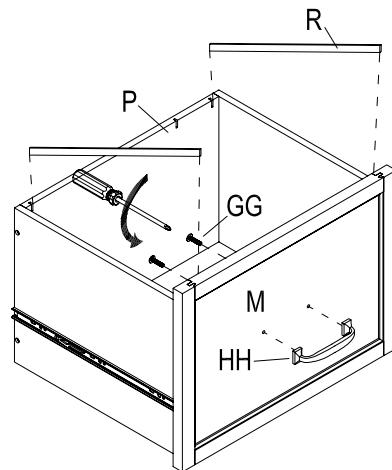
- c) Tighten panel (P) to the assembled body with screw (EE).



- b) Side panel (Q) into the grooves on panels (N) and (O).

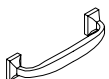


- d) Tighten handle (HH) to panel (M) with bolt (GG). Insert metal bar (R) into panels (M) and (P).



Handle

(HH) x 2



Bolt

(GG) x 4

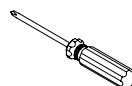


1 in. Flat head screw

(EE) x 16



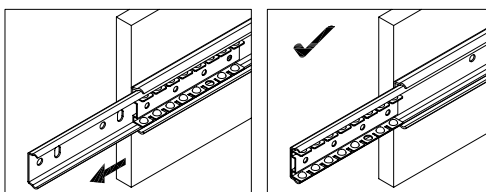
Small head



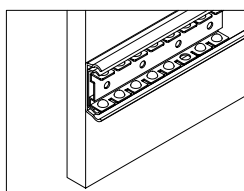
## Assembly (continued)

# 10 Inserting the drawer

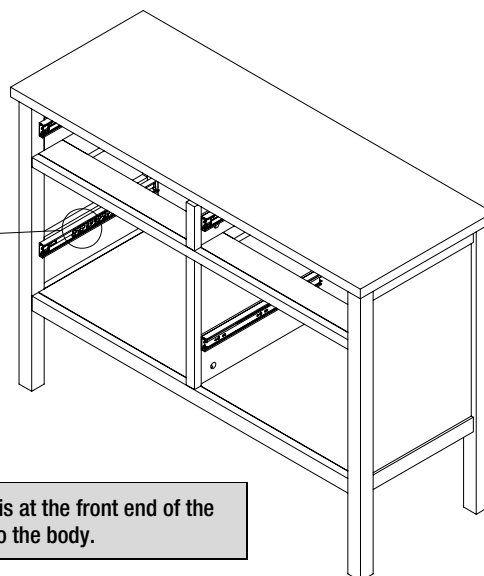
- Insert the drawer into the assembled body as shown.



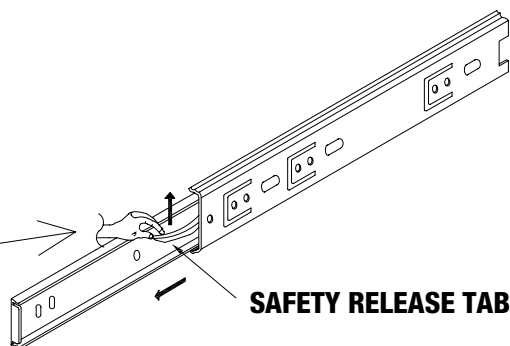
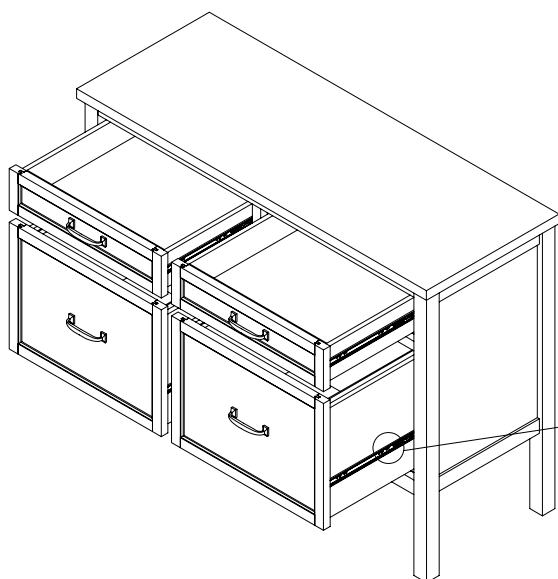
1. Pull out slide. Slide bearings forward.



2. Push slide back inside.  
Repeat for every slide!



**NOTE:** Make sure the slide piece is at the front end of the glide when installing the drawer into the body.

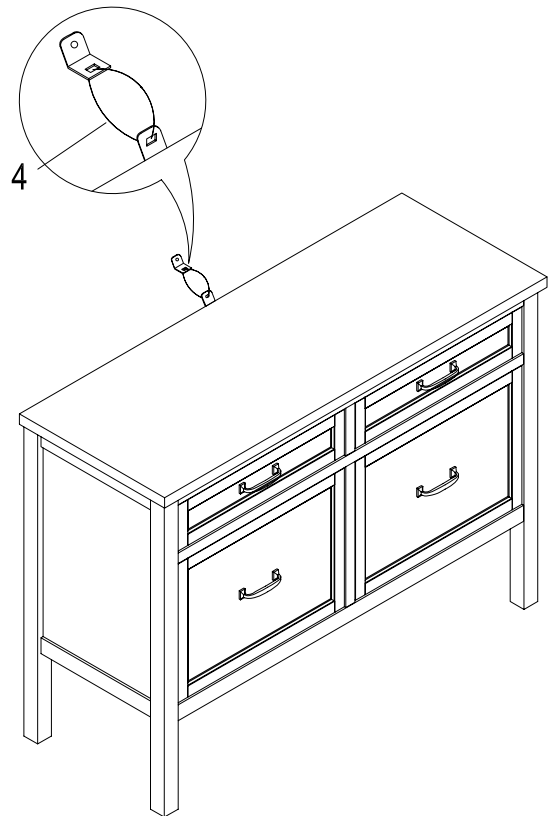
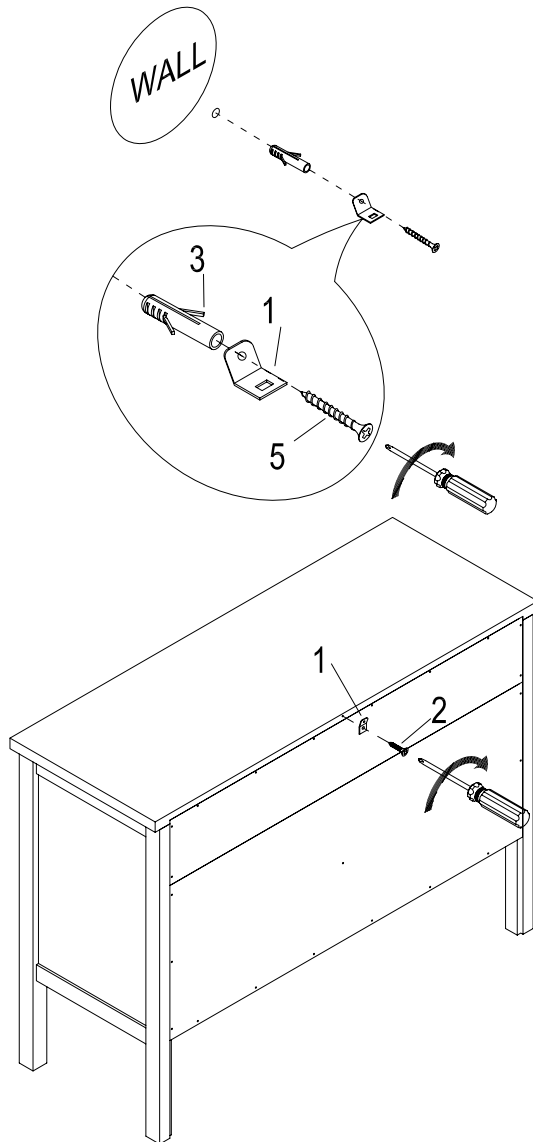


**NOTE:** When removing the drawer, tip-up the safety release tab to remove the drawer from the body.

# Assembly (continued)

## 11 Finalizing the assembly

- Install the anti-tipping hardware as shown.



Rectangle metal plate  
(1) x 2



1/2 in. Flat head screw  
(2) x 1



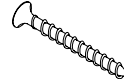
Plastic anchor  
(3) x 1



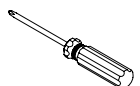
Plastic band  
(4) x 1



1-1/2 in. Flat head screw  
(5) x 1



Small head



HOME  
DECORATORS  
COLLECTION®

Questions, problems, missing parts?  
Before returning to the store, call Home Decorators Collection Customer Service.  
8 a.m. – 7 p.m., EST, Monday – Friday, 9 a.m. – 6 p.m., EST, Saturday

**1-800-998-7021**

**[HOMEDEPOT.COM/HOMEDECORATORS](https://www.homedepot.com/homedecorators)**

Retain this manual for future use.