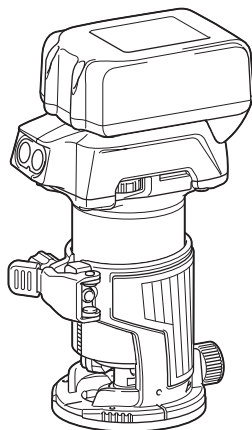


INSTRUCTION MANUAL
MANUAL DE INSTRUCCIONES



Cordless Trimmer Recortadora Inalámbrica

XTR01



Read before use.
Lea antes de usar.

IMPORTANT: Read Before Using.
IMPORTANTE: Lea antes de usar.

SPECIFICATIONS

Model:	XTR01
Collet chuck capacity	1/4" or 3/8"
No load speed	10,000 - 30,000/min
Overall length	226 mm (8-7/8")
Rated voltage	D.C. 18 V
Standard battery cartridge	BL1815N / BL1820B / BL1830 / BL1830B / BL1840B / BL1850B / BL1860B
Net weight	1.8 - 2.1 kg (3.9 - 4.6 lbs)

- Due to our continuing program of research and development, the specifications herein are subject to change without notice.
- Specifications and battery cartridge may differ from country to country.
- The weight may differ depending on the attachment(s), including the battery cartridge. The lightest and heaviest combination, according to EPTA-Procedure 01/2014, are shown in the table.

SAFETY WARNINGS

General power tool safety warnings

⚠ WARNING: Read all safety warnings, instructions, illustrations and specifications provided with this power tool. Failure to follow all instructions listed below may result in electric shock, fire and/or serious injury.

Save all warnings and instructions for future reference.

The term "power tool" in the warnings refers to your mains-operated (corded) power tool or battery-operated (cordless) power tool.

Work area safety

1. **Keep work area clean and well lit.** Cluttered or dark areas invite accidents.
2. **Do not operate power tools in explosive atmospheres, such as in the presence of flammable liquids, gases or dust.** Power tools create sparks which may ignite the dust or fumes.
3. **Keep children and bystanders away while operating a power tool.** Distractions can cause you to lose control.

Electrical Safety

1. **Power tool plugs must match the outlet. Never modify the plug in any way. Do not use any adapter plugs with earthed (grounded) power tools.** Unmodified plugs and matching outlets will reduce risk of electric shock.
2. **Avoid body contact with earthed or grounded surfaces, such as pipes, radiators, ranges and refrigerators.** There is an increased risk of electric shock if your body is earthed or grounded.
3. **Do not expose power tools to rain or wet conditions.** Water entering a power tool will increase the risk of electric shock.

4. **Do not abuse the cord. Never use the cord for carrying, pulling or unplugging the power tool. Keep cord away from heat, oil, sharp edges or moving parts.** Damaged or entangled cords increase the risk of electric shock.
5. **When operating a power tool outdoors, use an extension cord suitable for outdoor use.** Use of a cord suitable for outdoor use reduces the risk of electric shock.
6. **If operating a power tool in a damp location is unavoidable, use a ground fault circuit interrupter (GFCI) protected supply.** Use of a GFCI reduces the risk of electric shock.
7. **Power tools can produce electromagnetic fields (EMF) that are not harmful to the user.** However, users of pacemakers and other similar medical devices should contact the maker of their device and/or doctor for advice before operating this power tool.

Personal Safety

1. **Stay alert, watch what you are doing and use common sense when operating a power tool. Do not use a power tool while you are tired or under the influence of drugs, alcohol or medication.** A moment of inattention while operating power tools may result in serious personal injury.
2. **Use personal protective equipment. Always wear eye protection.** Protective equipment such as a dust mask, non-skid safety shoes, hard hat or hearing protection used for appropriate conditions will reduce personal injuries.
3. **Prevent unintentional starting. Ensure the switch is in the off-position before connecting to power source and/or battery pack, picking up or carrying the tool.** Carrying power tools with your finger on the switch or energising power tools that have the switch on invites accidents.
4. **Remove any adjusting key or wrench before turning the power tool on.** A wrench or a key left attached to a rotating part of the power tool may result in personal injury.

5. **Do not overreach. Keep proper footing and balance at all times.** This enables better control of the power tool in unexpected situations.
6. **Dress properly. Do not wear loose clothing or jewellery. Keep your hair and clothing away from moving parts.** Loose clothes, jewellery or long hair can be caught in moving parts.
7. **If devices are provided for the connection of dust extraction and collection facilities, ensure these are connected and properly used.** Use of dust collection can reduce dust-related hazards.
8. **Do not let familiarity gained from frequent use of tools allow you to become complacent and ignore tool safety principles.** A careless action can cause severe injury within a fraction of a second.

Power tool use and care

1. **Do not force the power tool. Use the correct power tool for your application.** The correct power tool will do the job better and safer at the rate for which it was designed.
2. **Do not use the power tool if the switch does not turn it on and off.** Any power tool that cannot be controlled with the switch is dangerous and must be repaired.
3. **Disconnect the plug from the power source and/or remove the battery pack, if detachable, from the power tool before making any adjustments, changing accessories, or storing power tools.** Such preventive safety measures reduce the risk of starting the power tool accidentally.
4. **Store idle power tools out of the reach of children and do not allow persons unfamiliar with the power tool or these instructions to operate the power tool.** Power tools are dangerous in the hands of untrained users.
5. **Maintain power tools and accessories. Check for misalignment or binding of moving parts, breakage of parts and any other condition that may affect the power tool's operation. If damaged, have the power tool repaired before use.** Many accidents are caused by poorly maintained power tools.
6. **Keep cutting tools sharp and clean.** Properly maintained cutting tools with sharp cutting edges are less likely to bind and are easier to control.
7. **Use the power tool, accessories and tool bits etc. in accordance with these instructions, taking into account the working conditions and the work to be performed.** Use of the power tool for operations different from those intended could result in a hazardous situation.
8. **Keep handles and grasping surfaces dry, clean and free from oil and grease.** Slippery handles and grasping surfaces do not allow for safe handling and control of the tool in unexpected situations.
9. **When using the tool, do not wear cloth work gloves which may be entangled.** The entanglement of cloth work gloves in the moving parts may result in personal injury.

Battery tool use and care

1. **Recharge only with the charger specified by the manufacturer.** A charger that is suitable for one type of battery pack may create a risk of fire when used with another battery pack.

2. **Use power tools only with specifically designed battery packs.** Use of any other battery packs may create a risk of injury and fire.
3. **When battery pack is not in use, keep it away from other metal objects, like paper clips, coins, keys, nails, screws or other small metal objects, that can make a connection from one terminal to another.** Shorting the battery terminals together may cause burns or a fire.
4. **Under abusive conditions, liquid may be ejected from the battery; avoid contact. If contact accidentally occurs, flush with water. If liquid contacts eyes, additionally seek medical help.** Liquid ejected from the battery may cause irritation or burns.
5. **Do not use a battery pack or tool that is damaged or modified.** Damaged or modified batteries may exhibit unpredictable behaviour resulting in fire, explosion or risk of injury.
6. **Do not expose a battery pack or tool to fire or excessive temperature.** Exposure to fire or temperature above 130 °C may cause explosion.
7. **Follow all charging instructions and do not charge the battery pack or tool outside the temperature range specified in the instructions.** Charging improperly or at temperatures outside the specified range may damage the battery and increase the risk of fire.

Service

1. **Have your power tool serviced by a qualified repair person using only identical replacement parts.** This will ensure that the safety of the power tool is maintained.
2. **Never service damaged battery packs.** Service of battery packs should only be performed by the manufacturer or authorized service providers.
3. **Follow instruction for lubricating and changing accessories.**
4. **Keep handles dry, clean and free from oil and grease.**

Cordless trimmer safety warnings

1. **Hold power tool by insulated gripping surfaces, because the cutter may contact hidden wiring.** Cutting a "live" wire may make exposed metal parts of the power tool "live" and shock the operator.
2. **Use clamps or another practical way to secure and support the workpiece to a stable platform.** Holding the work by your hand or against the body leaves it unstable and may lead to loss of control.
3. **Wear hearing protection during extended period of operation.**
4. **Handle the trimmer bits very carefully.**
5. **Check the trimmer bit carefully for cracks or damage before operation. Replace cracked or damaged bit immediately.**
6. **Avoid cutting nails. Inspect for and remove all nails from the workpiece before operation.**
7. **Hold the tool firmly.**
8. **Keep hands away from rotating parts.**
9. **Make sure the trimmer bit is not contacting the workpiece before the switch is turned on.**

10. Before using the tool on an actual workpiece, let it run for a while. Watch for vibration or wobbling that could indicate improperly installed bit.
11. Be careful of the trimmer bit rotating direction and the feed direction.
12. Do not leave the tool running. Operate the tool only when hand-held.
13. Always switch off and wait for the trimmer bit to come to a complete stop before removing the tool from workpiece.
14. Do not touch the trimmer bit immediately after operation; it may be extremely hot and could burn your skin.
15. Do not smear the tool base carelessly with thinner, gasoline, oil or the like. They may cause cracks in the tool base.
16. Use trimmer bits of the correct shank diameter suitable for the speed of the tool.
17. Some material contains chemicals which may be toxic. Take caution to prevent dust inhalation and skin contact. Follow material supplier safety data.
18. Always use the correct dust mask/respirator for the material and application you are working with.
4. If electrolyte gets into your eyes, rinse them out with clear water and seek medical attention right away. It may result in loss of your eyesight.
5. Do not short the battery cartridge:
 - (1) Do not touch the terminals with any conductive material.
 - (2) Avoid storing battery cartridge in a container with other metal objects such as nails, coins, etc.
 - (3) Do not expose battery cartridge to water or rain.

A battery short can cause a large current flow, overheating, possible burns and even a breakdown.
6. Do not store the tool and battery cartridge in locations where the temperature may reach or exceed 50 °C (122 °F).
7. Do not incinerate the battery cartridge even if it is severely damaged or is completely worn out. The battery cartridge can explode in a fire.
8. Be careful not to drop or strike battery.
9. Do not use a damaged battery.
10. The contained lithium-ion batteries are subject to the Dangerous Goods Legislation requirements.

For commercial transports e.g. by third parties, forwarding agents, special requirement on packaging and labeling must be observed. For preparation of the item being shipped, consulting an expert for hazardous material is required. Please also observe possibly more detailed national regulations.


Tape or mask off open contacts and pack up the battery in such a manner that it cannot move around in the packaging.

SAVE THESE INSTRUCTIONS.

⚠WARNING: DO NOT let comfort or familiarity with product (gained from repeated use) replace strict adherence to safety rules for the subject product. MISUSE or failure to follow the safety rules stated in this instruction manual may cause serious personal injury.

Symbols

The followings show the symbols used for tool.

V		volts
		direct current
n_0		no load speed
\dots /min r /min		revolutions or reciprocation per minute

Important safety instructions for battery cartridge

1. Before using battery cartridge, read all instructions and cautionary markings on (1) battery charger, (2) battery, and (3) product using battery.
2. Do not disassemble battery cartridge.
3. If operating time has become excessively shorter, stop operating immediately. It may result in a risk of overheating, possible burns and even an explosion.

SAVE THESE INSTRUCTIONS.

⚠CAUTION: Only use genuine Makita batteries. Use of non-genuine Makita batteries, or batteries that have been altered, may result in the battery bursting causing fires, personal injury and damage. It will also void the Makita warranty for the Makita tool and charger.

Tips for maintaining maximum battery life

1. Charge the battery cartridge before completely discharged. Always stop tool operation and charge the battery cartridge when you notice less tool power.
2. Never recharge a fully charged battery cartridge. Overcharging shortens the battery service life.
3. Charge the battery cartridge with room temperature at 10 °C - 40 °C (50 °F - 104 °F). Let a hot battery cartridge cool down before charging it.
4. Charge the battery cartridge if you do not use it for a long period (more than six months).

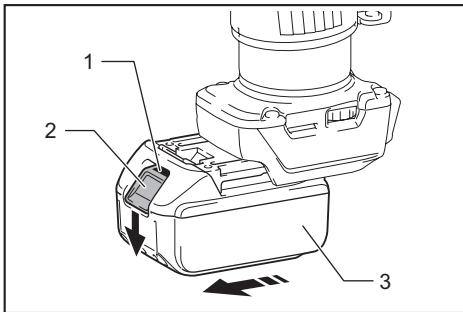
FUNCTIONAL DESCRIPTION

CAUTION: Always be sure that the tool is switched off and the battery cartridge is removed before adjusting or checking function on the tool.

Installing or removing battery cartridge

CAUTION: Always switch off the tool before installing or removing of the battery cartridge.

CAUTION: Hold the tool and the battery cartridge firmly when installing or removing battery cartridge. Failure to hold the tool and the battery cartridge firmly may cause them to slip off your hands and result in damage to the tool and battery cartridge and a personal injury.



► 1. Red indicator 2. Button 3. Battery cartridge

To remove the battery cartridge, slide it from the tool while sliding the button on the front of the cartridge.

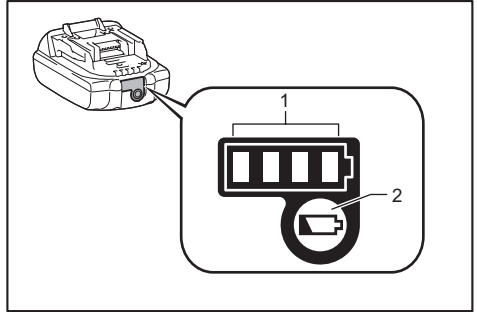
To install the battery cartridge, align the tongue on the battery cartridge with the groove in the housing and slide it into place. Insert it all the way until it locks in place with a little click. If you can see the red indicator on the upper side of the button, it is not locked completely.

CAUTION: Always install the battery cartridge fully until the red indicator cannot be seen. If not, it may accidentally fall out of the tool, causing injury to you or someone around you.

CAUTION: Do not install the battery cartridge forcibly. If the cartridge does not slide in easily, it is not being inserted correctly.

Indicating the remaining battery capacity

Only for battery cartridges with the indicator



► 1. Indicator lamps 2. Check button

Press the check button on the battery cartridge to indicate the remaining battery capacity. The indicator lamps light up for few seconds.

Indicator lamps			Remaining capacity
Lighted	Off	Blinking	
■ ■ ■ ■			75% to 100%
■ ■ ■ □			50% to 75%
■ ■ □ □			25% to 50%
■ □ □ □			0% to 25%
▣ □ □ □			Charge the battery.
■ ■ □ □			The battery may have malfunctioned.
□ □ ■ ■	↑ ↓		

NOTE: Depending on the conditions of use and the ambient temperature, the indication may differ slightly from the actual capacity.

Tool / battery protection system

The tool is equipped with a tool/battery protection system. This system automatically cuts off power to the motor to extend tool and battery life. The tool will automatically stop during operation if the tool or battery is placed under one of the following conditions:

Overload protection

When the battery is operated in a manner that causes it to draw an abnormally high current, the tool automatically stops without any indication. In this situation, turn the tool off and stop the application that caused the tool to become overloaded. Then turn the tool on to restart.

Overheat protection

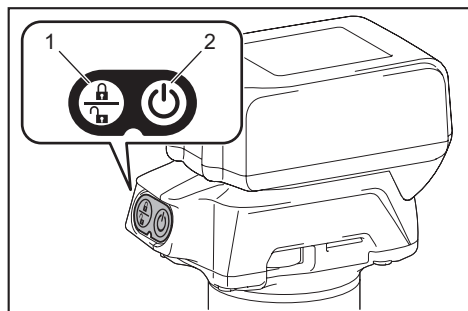
When the tool or battery is overheated, the tool stops automatically and the lamp blinks. In this case, let the tool and battery cool before turning the tool on again.

Overdischarge protection

When the battery capacity is not enough, the tool stops automatically. In this case, remove the battery from the tool and charge the battery.

Switch action

To turn on the tool, press the lock/unlock button. The tool turns into the standby mode. To start the tool, press the start/stop button in the standby mode. To stop the tool, press the start/stop button again. The tool turns into the standby mode. To turn off the tool, press the lock/unlock button in the standby mode.



► 1. Lock/unlock button 2. Start/stop button

NOTE: If the tool is left for 10 seconds without any operation in the standby mode, the tool automatically turns off and the lamp goes off.

NOTE: You can also stop and turn off the tool by pressing the lock/unlock button while the tool is operating.

Lighting up the front lamp

CAUTION: Do not look in the light or see the source of light directly.

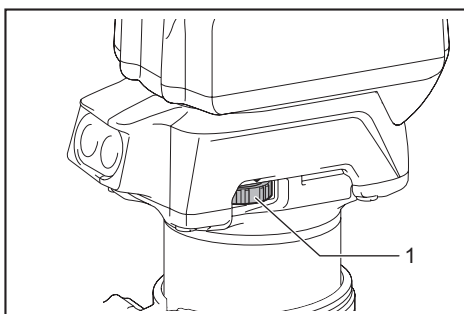
To turn on the lamp, press the lock/unlock button. To turn off the lamp, press the lock/unlock button again.

NOTE: When the tool is overheated, the lamp flickers. Cool down the tool fully before operating the tool again.

NOTE: Use a dry cloth to wipe the dirt off the lens of the lamp. Be careful not to scratch the lens of lamp, or it may lower the illumination.

Speed adjusting dial

The rotation speed of the tool can be changed by turning the speed adjusting dial. The table below shows the number on the dial and the corresponding rotation speed.



► 1. Speed adjusting dial

Number	Speed
1	10,000/min
2	15,000/min
3	20,000/min
4	25,000/min
5	30,000/min

NOTICE: If the tool is operated continuously at low speed for a long time, the motor will get overloaded, resulting in tool malfunction.

NOTICE: When changing the speed dial from "5" to "1", turn the dial counterclockwise. Do not turn the dial clockwise forcibly.

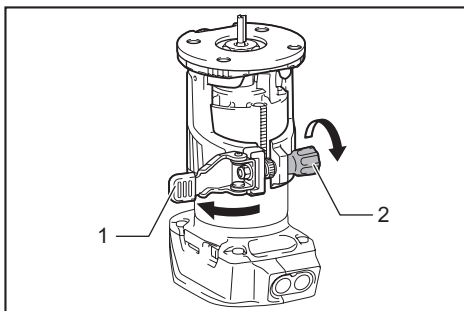
Electronic function

The tool is equipped with the electronic functions for easy operation.

- Constant speed control
The speed control function provides the constant rotation speed regardless of load conditions.
- Soft start
The soft-start function minimizes start-up shock, and makes the tool start smoothly.

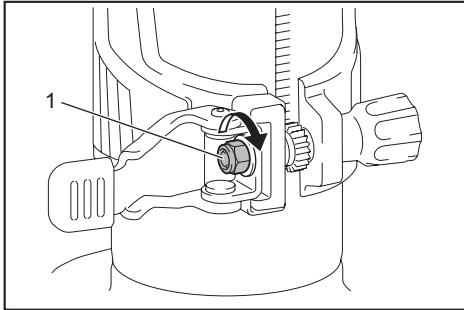
Adjusting cutting depth

To adjust the cutting depth, open the lock lever, then move the tool base up or down by turning the adjusting screw. After the adjustment, close the lock lever firmly.



► 1. Lock lever 2. Adjusting screw

NOTICE: If the tool is not secured after closing the lock lever, tighten the hex nut, and then close the lock lever.

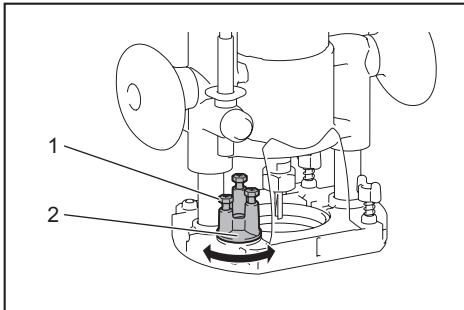


► 1. Hex nut

Adjusting cutting depth with the plunger base

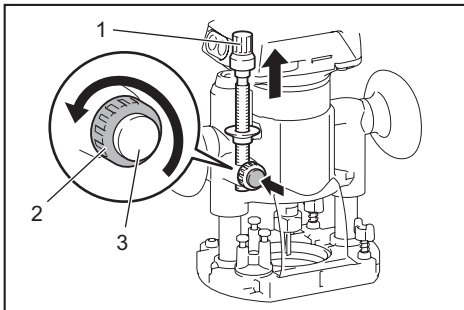
Optional accessory

1. Place the tool on the flat surface.
2. Select the stopper screw by rotating the stopper base.



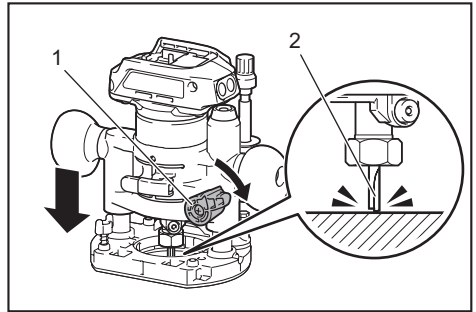
► 1. Stopper screw 2. Stopper base

3. Loosen the stopper pole fixing nut, then pull up the stopper pole while pressing the feed button.



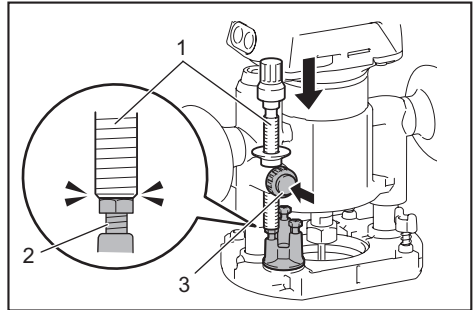
► 1. Stopper pole 2. Fixing nut 3. Feed button

4. Push down the tool until the tip of the trimmer bit touches the flat surface, and then turn the fixing lever to secure the tool.



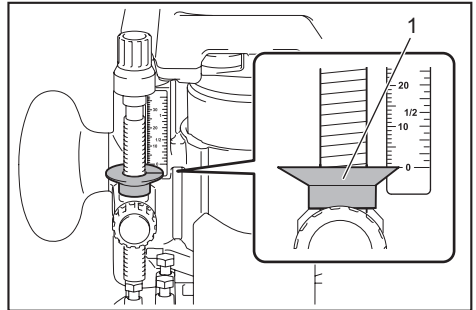
► 1. Fixing lever 2. Trimmer bit

5. Press down the stopper pole while pressing the feed button until it contacts the stopper screw.



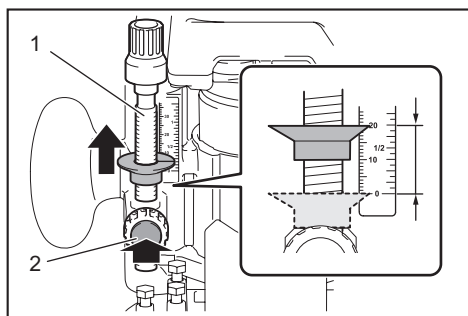
► 1. Stopper pole 2. Stopper screw 3. Feed button

6. Slide the depth pointer so that the pointer indicates "0" on the scale.



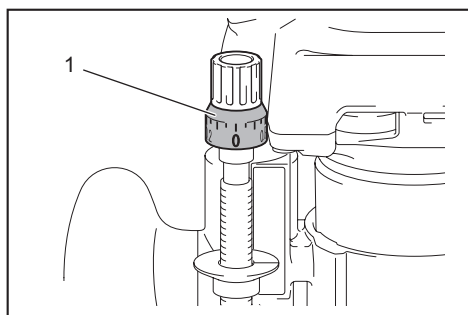
► 1. Depth pointer

7. Adjust the cutting depth by pulling up the stopper pole while pressing the feed button.



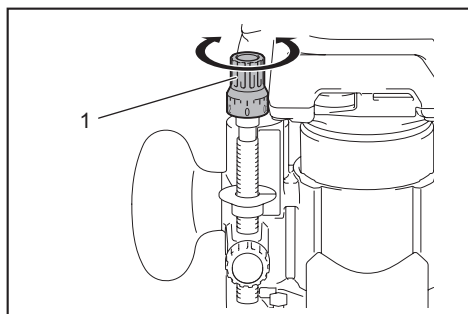
► 1. Stopper pole 2. Feed button

8. To perform fine adjustment of the cutting depth, turn the dial on the stopper pole so that it indicates "0".



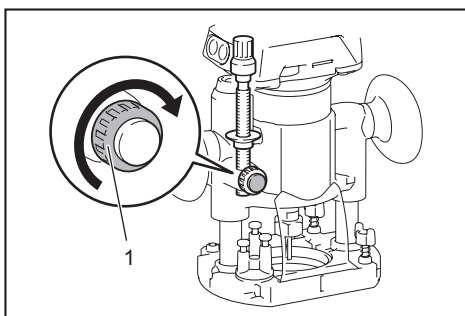
► 1. Dial

9. Turn the head of the stopper pole to obtain the desired depth. To increase the depth, turn the head counterclockwise. To decrease the depth, turn the head clockwise.



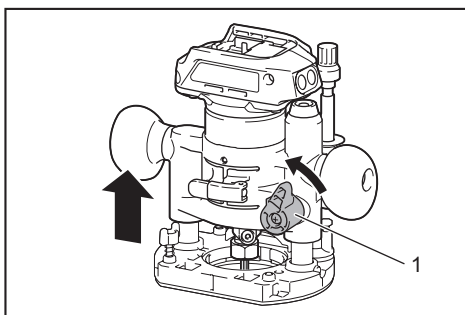
► 1. Head of the stopper pole

10. Tighten the stopper pole fixing nut.



► 1. Fixing nut

11. Release the fixing lever.



► 1. Fixing lever

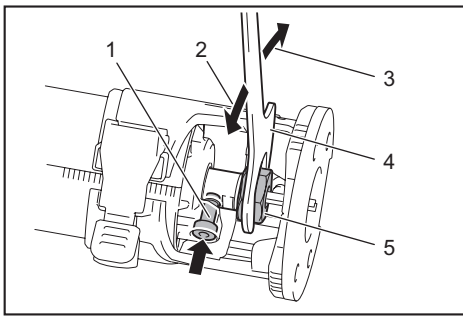
ASSEMBLY

CAUTION: Always be sure that the tool is switched off and the battery cartridge is removed before carrying out any work on the tool.

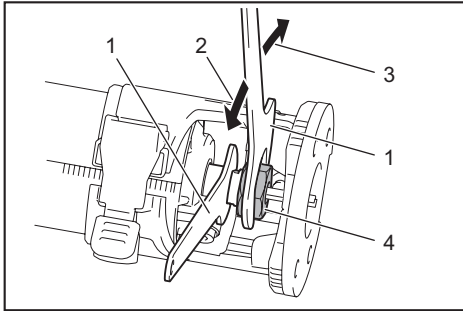
Installing or removing trimmer bit

NOTICE: Do not tighten the collet nut without inserting the bit. The collet cone may break.

Insert the trimmer bit all the way into the collet cone. Press the shaft lock and tighten the collet nut with the wrench or tighten the collet nut securely with the two wrenches. To remove the bit, follow the installation procedure in reverse.

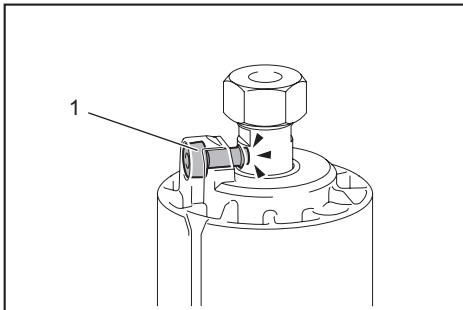


- ▶ 1. Shaft lock 2. Loosen 3. Tighten 4. Wrench 5. Collet nut



- ▶ 1. Wrench 2. Loosen 3. Tighten 4. Collet nut

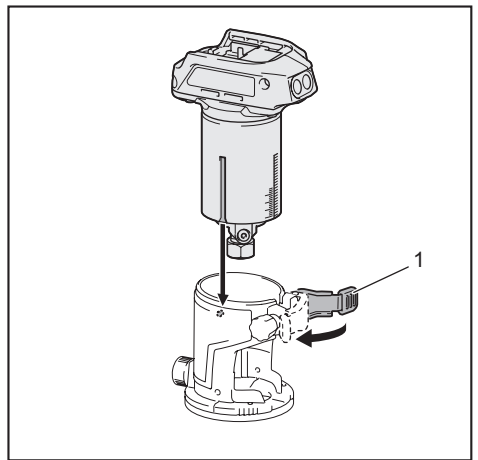
NOTE: The shaft lock may not return to the original position when you tighten the collet nut at the installation of the trimmer bit. The shaft lock returns to the original position when you start the tool.



- ▶ 1. Shaft lock

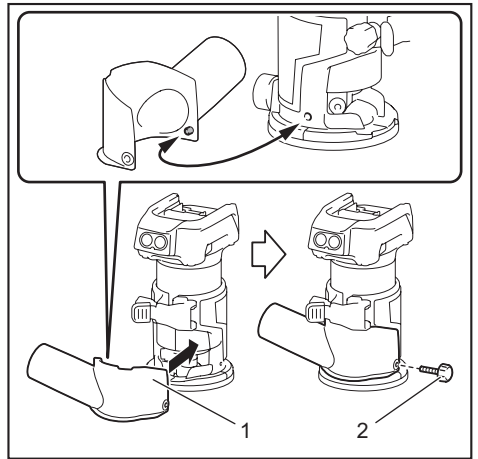
Installing or removing the trimmer base

- 1. Open the lock lever of the trimmer base, then insert the tool into the trimmer base aligning the groove on the tool with the protrusion on the trimmer base.

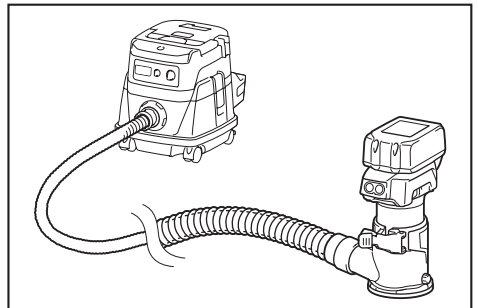


- ▶ 1. Lock lever

- 2. Close the lock lever.
- 3. Attach the dust nozzle to the trimmer base, and then tighten the thumb screw.



- ▶ 1. Dust nozzle 2. Thumb screw

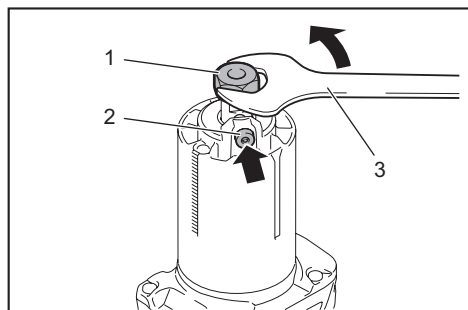


To remove the base, follow the installation procedure in reverse.

Installing or removing the offset base

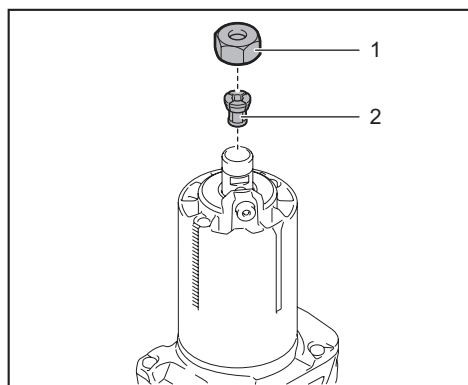
Optional accessory

1. Press the shaft lock, then loosen the collet nut.



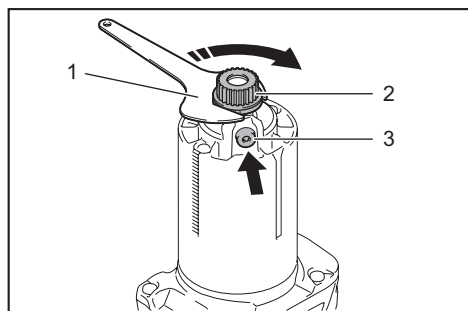
- 1. Collet nut 2. Shaft lock 3. Wrench

2. Remove the collet nut and the collet cone.



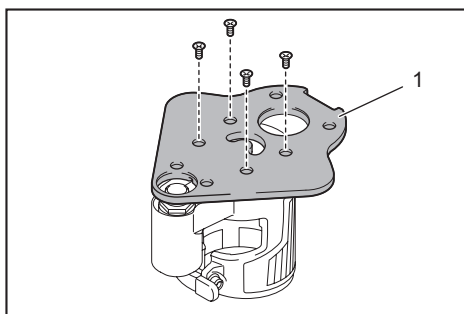
- 1. Collet nut 2. Collet cone

3. Install the pulley on the tool by pressing the shaft lock and tightening the pulley with the wrench.



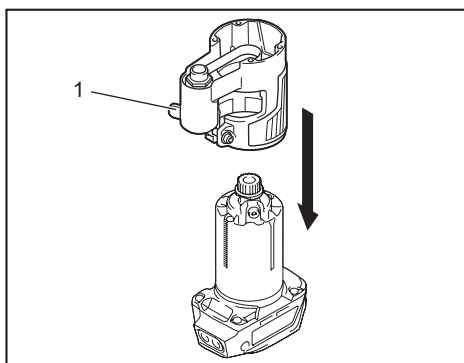
- 1. Wrench 2. Pulley 3. Shaft lock

4. Loosen the screws on the base plate, and then remove the base plate.



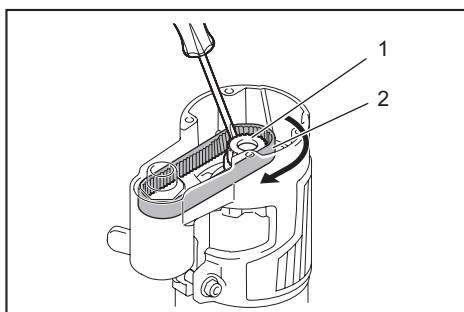
- 1. Base plate

5. Open the lock lever of the offset base, then insert the tool into the offset base.



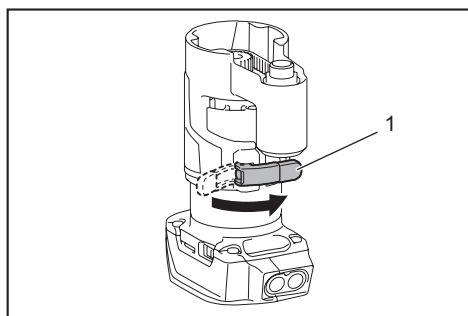
- 1. Lock lever

6. Mount the belt to the pulley by rotating the belt manually.



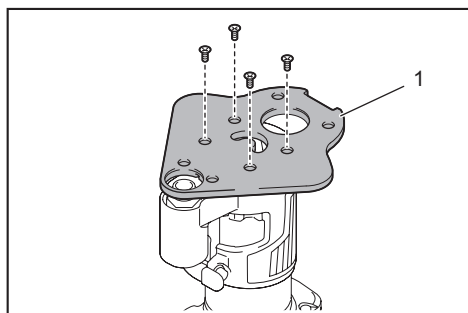
- 1. Pulley 2. Belt

7. Close the lock lever.



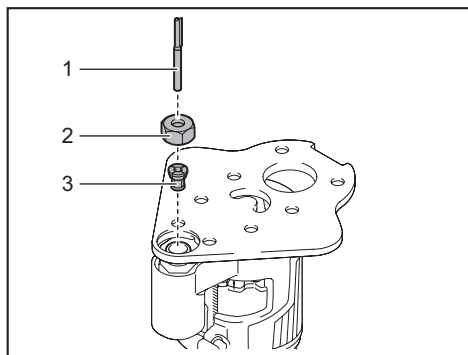
► 1. Lock lever

8. Attach the base plate by tightening the screws.



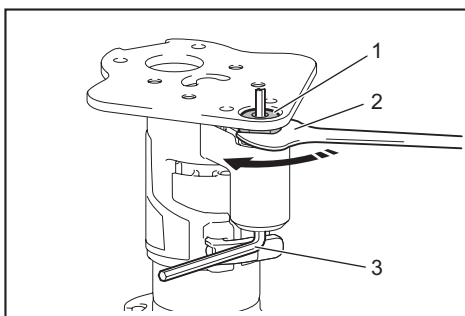
► 1. Base plate

9. Insert the collet cone and the trimmer bit into the offset base, and then tighten the collet nut.



► 1. Trimmer bit 2. Collet nut 3. Collet cone

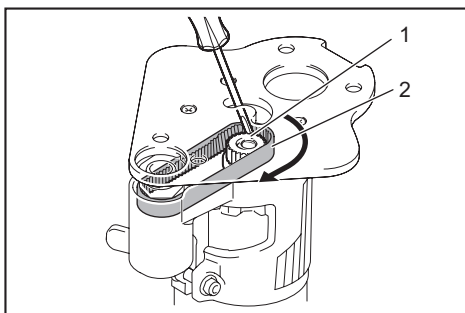
10. Insert the hex wrench into the hole of the offset base, and then tighten the collet nut with the wrench.



► 1. Collet nut 2. Wrench 3. Hex wrench

To remove the base, follow the installation procedure in reverse.

NOTE: You can also mount the belt to the pulley without removing the base plate as shown in the figure.

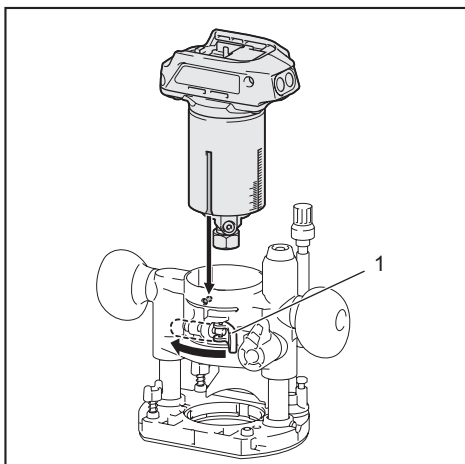


► 1. Pulley 2. Belt

Installing or removing the plunge base

Optional accessory

1. Open the lock lever of the plunge base, then insert the tool into the plunge base all the way aligning the groove on the tool with the protrusion on the plunge base.



► 1. Lock lever

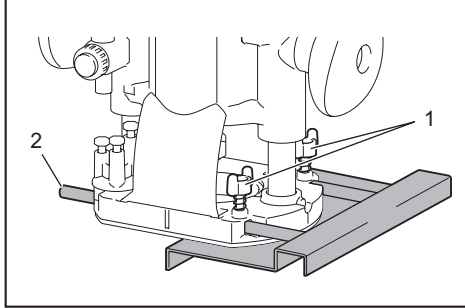
2. Close the lock lever.

To remove the base, follow the installation procedure in reverse.

Installing or removing the parallel ruler on the plunge base

Optional accessory

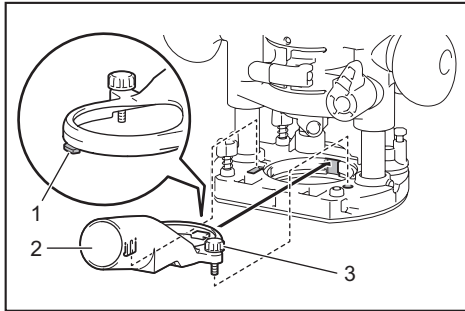
Insert the guide bars into the holes in the plunge base, and then tighten the wing bolts. To remove the ruler, follow the installation procedure in reverse.



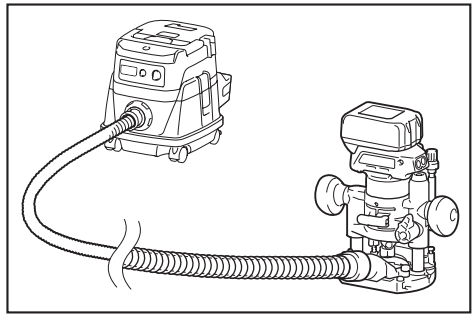
► 1. Wing bolt 2. Guide bar

Installing or removing the dust nozzle on the plunge base

Insert the dust nozzle into the plunge base so that the protrusion on the dust nozzle fits in the notch in the plunge base, and then tighten the thumb screw on the dust nozzle. To remove the nozzle, follow the installation procedure in reverse.



► 1. Protrusion 2. Dust nozzle 3. Thumb screw

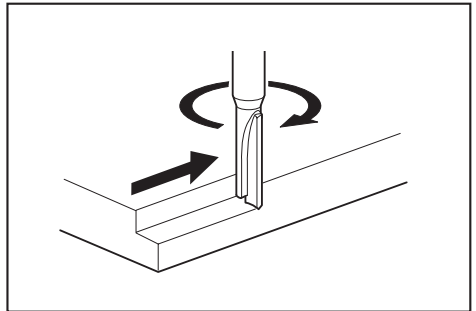


OPERATION

Using the tool with the trimmer base

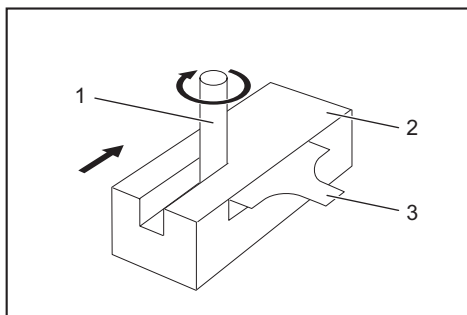
Set the tool base on the workpiece without the trimmer bit making any contact. Turn the tool on and wait until the bit attains full speed. Move the tool forward over the workpiece surface. Keep the tool base flush while moving the tool.

When cutting the edge, be sure to keep the workpiece surface on the left side of the trimmer bit in the feed direction.



NOTE: Before cutting on the actual workpiece, it is recommended to make a sample cut. The proper feed speed depends on the bit size, the kind of workpiece, and depth of cut. Moving the tool forward too fast may cause a poor quality of cut, or damage to the bit or motor. Moving the tool forward too slowly may burn and mar the cut.

When using the trimmer shoe, the straight guide, or the trimmer guide, be sure to keep it on the right side in the feed direction. This will help to keep it flush with the side of the workpiece.



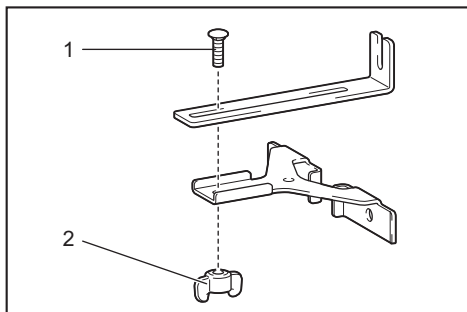
► 1. Trimmer bit 2. Workpiece 3. Straight guide

NOTICE: Since excessive cutting may cause overload of the motor or difficulty in controlling the tool, the depth of cut should not be more than 3 mm (1/8") at a pass when cutting grooves. When you wish to cut grooves more than 3 mm (1/8") deep, make several passes with progressively deeper bit settings.

Using the straight guide

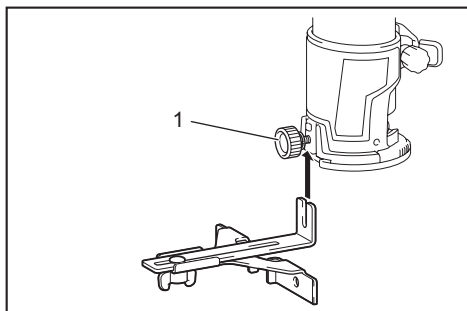
Optional accessory

1. Assemble the straight guide with the bolt and the wing nut.



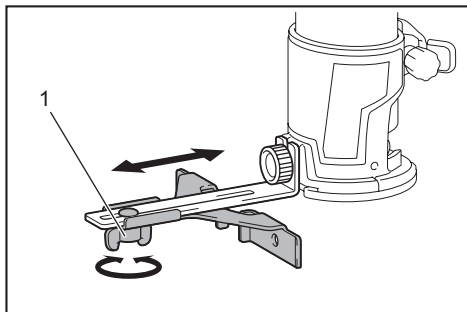
► 1. Bolt 2. Wing nut

2. Attach the straight guide to the trimmer base with the clamp screw.



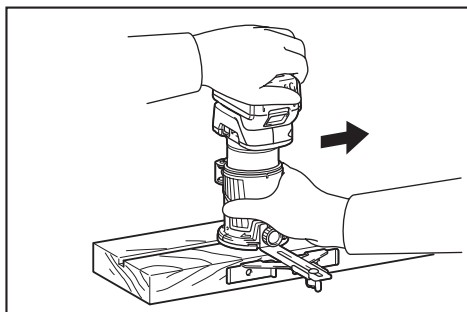
► 1. Clamp screw

3. Loosen the wing nut on the straight guide and adjust the distance between the bit and the straight guide. At the desired distance, tighten the wing nut.



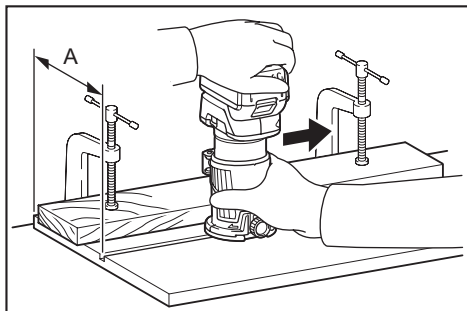
► 1. Wing nut

4. Move the tool with the straight guide flush with the side of the workpiece.



If the distance (A) between the side of the workpiece and the cutting position is too wide for the straight guide, or if the side of the workpiece is not straight, the straight guide cannot be used.

In this case, firmly clamp a straight board to the workpiece and use it as a guide against the trimmer base. Feed the tool in the direction of the arrow.

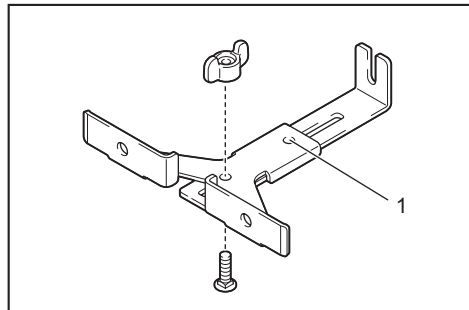


Using the straight guide for circular work

For circular work, assemble the straight guide as shown in the figures. The minimum and maximum radius of circles to be cut (distance between the center of circle and the center of bit) are as follows:

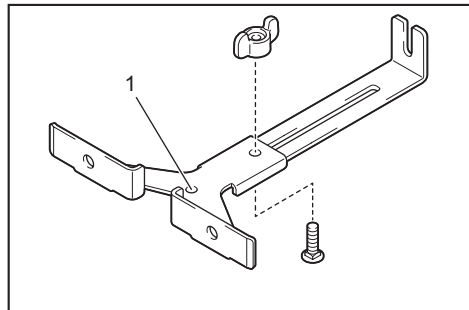
- Minimum: 70 mm (2-3/4")
- Maximum: 221 mm (8-11/16")

For cutting circles between 70 mm (2-3/4") and 121 mm (4-3/4") in radius.



► 1. Center hole

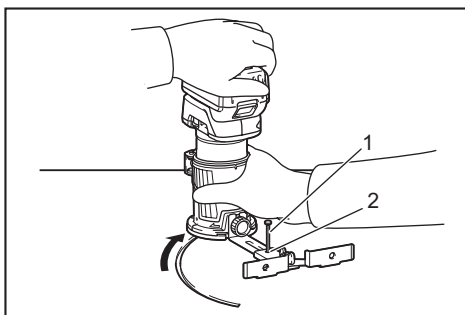
For cutting circles between 121 mm (4-3/4") and 221 mm (8-11/16") in radius.



► 1. Center hole

NOTE: Circles between 172 mm (6-3/4") and 186 mm (7-5/16") in radius cannot be cut using this guide.

Align the center hole in the straight guide with the center of the circle to be cut. Drive a nail less than 6 mm (1/4") in diameter into the center hole to secure the straight guide. Pivot the tool around the nail in the clockwise direction.



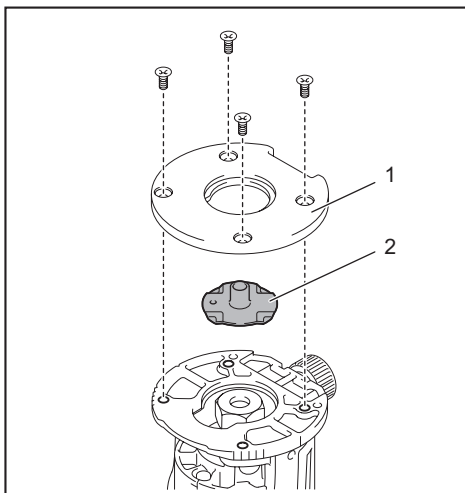
► 1. Nail 2. Center hole

Using the templet guide

Optional accessory

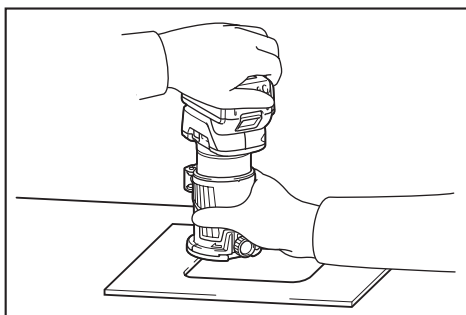
The templet guide allows for repetitive cut with templet patterns by using a templet.

1. Loosen the screws on the base plate, and then remove the base plate from the trimmer base.
2. Place the templet guide on the base, and then attach the base plate by tightening the screws.



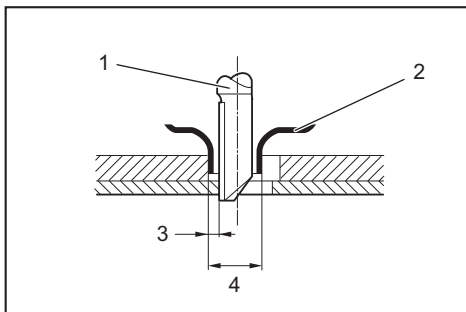
► 1. Base plate 2. Templet guide

3. Place the tool on the templet and move the tool with the templet guide sliding along the side of the templet.



NOTE: The actual cut size on the workpiece is slightly different from the templet. The difference is the distance (X) between the trimmer bit and the outside of the templet guide. The distance (X) can be calculated by using the following equation:

$$\text{Distance (X)} = (\text{outside diameter of templet guide} - \text{trimmer bit diameter}) / 2$$

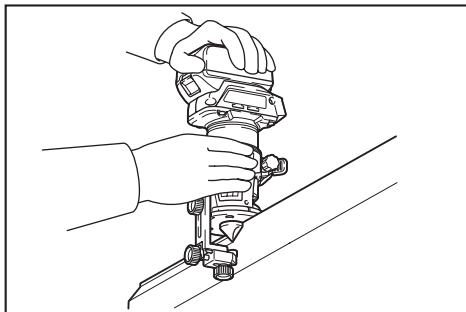


- ▶ 1. Trimmer bit 2. Templet guide 3. Distance (X)
- 4. Outside diameter of templet guide

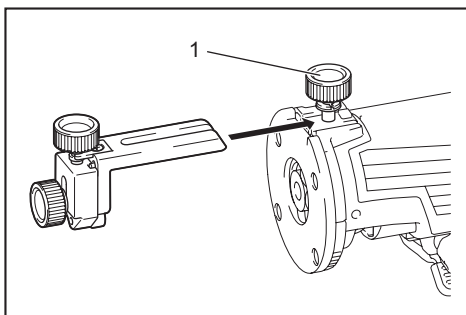
Using the trimmer guide

Optional accessory

The trimmer guide allows for trimming curved side like veneers for furniture by moving the guide roller along the side of the workpiece.

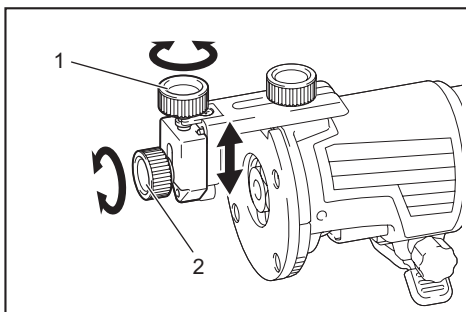


- 1. Loosen the clamp screw, then install the trimmer guide on the trimmer base, and then tighten the clamp screw.



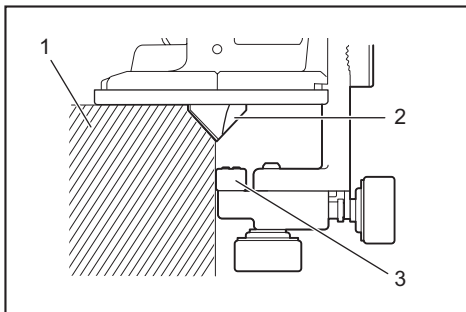
- ▶ 1. Clamp screw

- 2. Loosen the clamp screw and adjust the distance between the trimmer bit and the trimmer guide by turning the adjusting screw (1 mm (3/64") per turn). At the desired distance, tighten the clamp screw to secure the trimmer guide.



- ▶ 1. Adjusting screw 2. Clamp screw

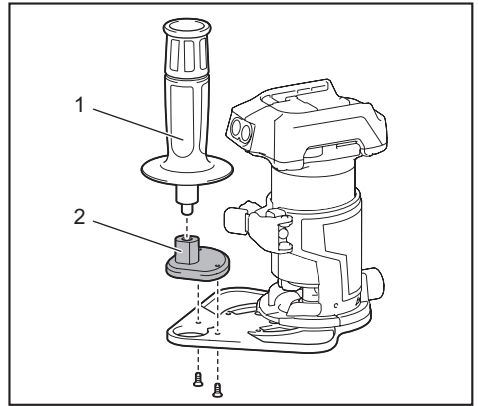
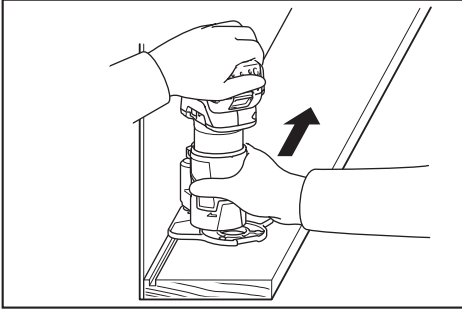
- 3. Move the tool with the guide roller riding the side of the workpiece.



- ▶ 1. Workpiece 2. Bit 3. Guide roller

Using the tool with the offset base

The offset base is convenient for work in a tight area such as a corner.

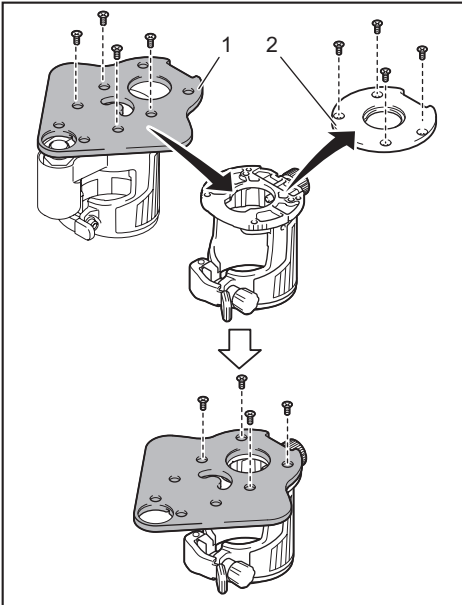


► 1. Bar type grip 2. Grip attachment

Using the trimmer base with the offset base plate and grip

The offset base plate can also be used with a trimmer base and a grip attachment (optional accessory) for more stability.

1. Loosen the screws on the base plate, then remove the base plate from the offset base.

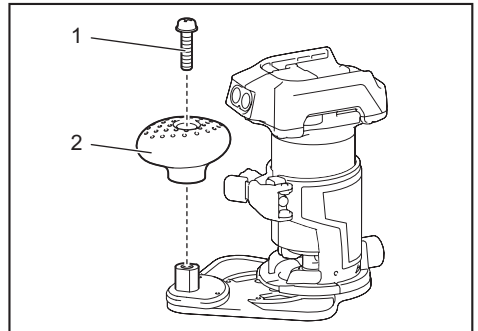


► 1. Offset base plate 2. Trimmer base plate

2. Attach the offset base plate to the trimmer base by tightening the screws.

3. Attach the grip attachment and the bar type grip to the offset base plate by tightening the screws.

The knob type grip removed from the plunge base can be installed on the offset base instead of the bar type grip.



► 1. Screw 2. Knob type grip

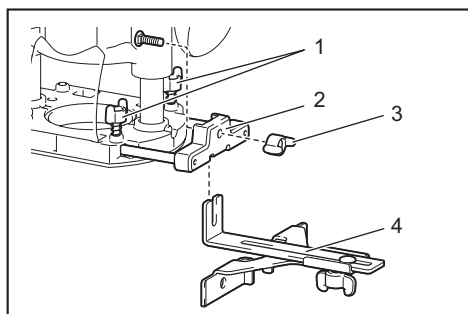
Using the tool with the plunge base

Always hold the grips firmly with both hands during operation. Operate the tool in the same way as the trimmer base.

Using the straight guide

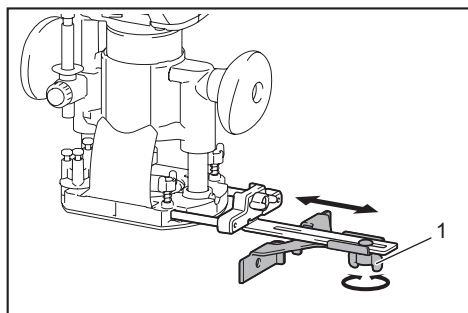
Optional accessory

1. Install the straight guide to the guide holder by tightening the wing nut. Insert the guide holder into the holes in the plunge base, and then tighten the wing bolts.



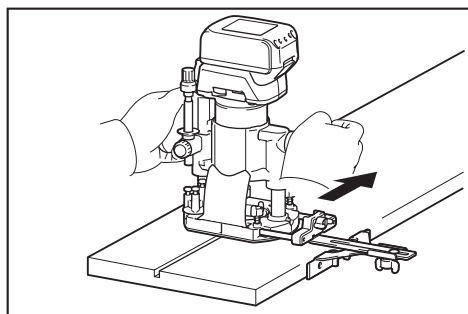
► 1. Wing bolt 2. Guide holder 3. Wing nut 4. Straight guide

2. Loosen the wing nut on the straight guide and adjust the distance between the bit and the straight guide. At the desired distance, tighten the wing nut.



► 1. Wing nut

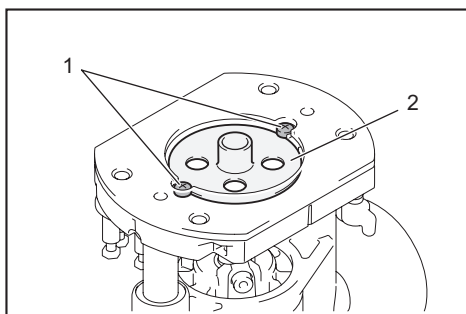
3. Operate the tool in the same way as the straight guide for the trimmer base.



Using the templet guide

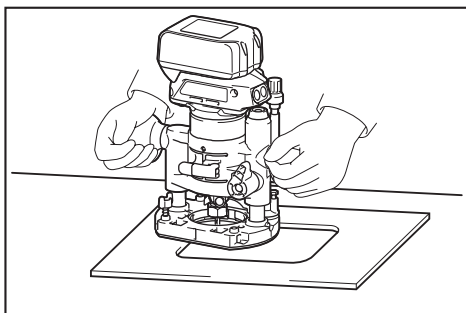
Optional accessory

1. Loosen the screws on the base and remove them. Place the templet guide on the base, and then tighten the screws.



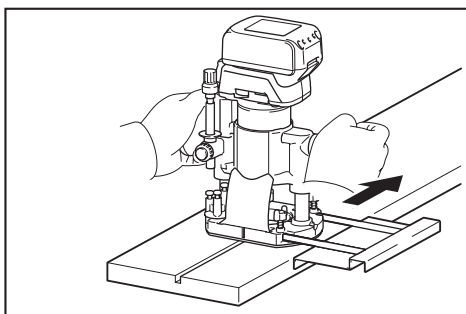
► 1. Screw 2. Templet guide

2. Operate the tool in the same way as the templet guide for the trimmer base.



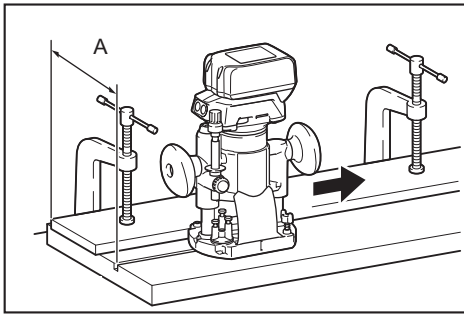
Using the parallel ruler

The parallel ruler is effectively used for straight cuts when chamfering or grooving. Adjust the distance between the bit and the parallel ruler. At the desired distance, tighten the wing bolts to secure the parallel ruler. When cutting, move the tool with the parallel ruler flush with the side of the workpiece.



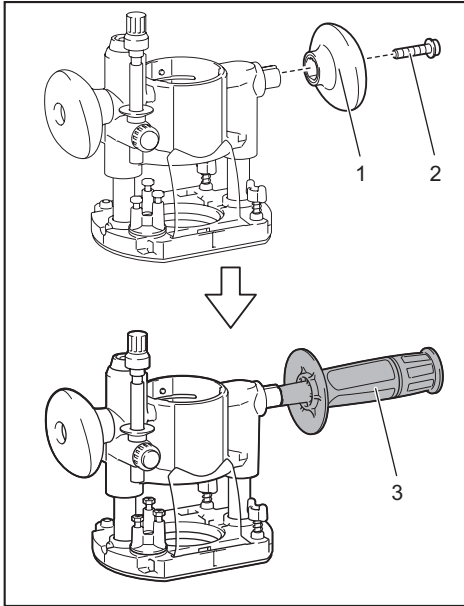
If the distance (A) between the side of the workpiece and the cutting position is too wide for the parallel ruler, or if the side of the workpiece is not straight, the parallel ruler cannot be used.

In this case, firmly clamp a straight board to the workpiece and use it as a guide against the plunge base. Feed the tool in the direction of the arrow.



Changing knob type grip to bar type grip

To install the bar type grip on the plunge base, loosen the screw of the knob type grip, then remove the knob type grip, and then install the bar type grip by tightening it.



► 1. Knob type grip 2. Screw 3. Bar type grip

MAINTENANCE

CAUTION: Always be sure that the tool is switched off and the battery cartridge is removed before attempting to perform inspection or maintenance.

NOTICE: Never use gasoline, benzine, thinner, alcohol or the like. Discoloration, deformation or cracks may result.

To maintain product SAFETY and RELIABILITY, repairs, any other maintenance or adjustment should be performed by Makita Authorized or Factory Service Centers, always using Makita replacement parts.

OPTIONAL ACCESSORIES

CAUTION: These accessories or attachments are recommended for use with your Makita tool specified in this manual. The use of any other accessories or attachments might present a risk of injury to persons. Only use accessory or attachment for its stated purpose.

If you need any assistance for more details regarding these accessories, ask your local Makita Service Center.

- Straight and groove forming bits
- Edge forming bits
- Laminate trimming bits
- Straight guide assembly
- Trimmer guide assembly
- Trimmer base assembly
- Plunge base assembly
- Offset base assembly
- Grip attachment
- Templet guide
- Collet cone 1/4"
- Collet cone 3/8"
- Wrench 13
- Wrench 22
- Makita genuine battery and charger

NOTE: Some items in the list may be included in the tool package as standard accessories. They may differ from country to country.

MAKITA LIMITED ONE YEAR WARRANTY

Warranty Policy

Every Makita tool is thoroughly inspected and tested before leaving the factory. It is warranted to be free of defects from workmanship and materials for the period of ONE YEAR from the date of original purchase.

Should any trouble develop during this one year period, return the COMPLETE tool, freight prepaid, to one of Makita's Factory or Authorized Service Centers. If inspection shows the trouble is caused by defective workmanship or material, Makita will repair (or at our option, replace) without charge.

This Warranty does not apply where:

- repairs have been made or attempted by others:
- repairs are required because of normal wear and tear:
- the tool has been abused, misused or improperly maintained:
- alterations have been made to the tool.

IN NO EVENT SHALL MAKITA BE LIABLE FOR ANY INDIRECT, INCIDENTAL OR CONSEQUENTIAL DAMAGES FROM THE SALE OR USE OF THE PRODUCT. THIS DISCLAIMER APPLIES BOTH DURING AND AFTER THE TERM OF THIS WARRANTY.

MAKITA DISCLAIMS LIABILITY FOR ANY IMPLIED WARRANTIES, INCLUDING IMPLIED WARRANTIES OF "MERCHANTABILITY" AND "FITNESS FOR A SPECIFIC PURPOSE," AFTER THE ONE YEAR TERM OF THIS WARRANTY.

This Warranty gives you specific legal rights, and you may also have other rights which vary from state to state. Some states do not allow the exclusion or limitation of incidental or consequential damages, so the above limitation or exclusion may not apply to you. Some states do not allow limitation on how long an implied warranty lasts, so the above limitation may not apply to you.

ESPECIFICACIONES

Modelo:	XTR01
Capacidad de la pinza de sujeción	1/4" o 3/8"
Velocidad sin carga	10 000 r/min - 30 000 r/min
Longitud total	226 mm (8-7/8")
Tensión nominal	18 V c.c.
Batería estándar	BL1815N / BL1820B / BL1830 / BL1830B / BL1840B / BL1850B / BL1860B
Peso neto	1,8 kg - 2,1 kg (3,9 lbs - 4,6 lbs)

- Debido a nuestro continuo programa de investigación y desarrollo, las especificaciones aquí incluidas están sujetas a cambio sin previo aviso.
- Las especificaciones y el cartucho de batería pueden variar de país a país.
- El peso puede variar en función de los accesorios, incluido el cartucho de batería. En la tabla se muestra la combinación de peso más ligero y más pesado conforme al procedimiento 01/2014 de EPTA.

ADVERTENCIAS DE SEGURIDAD

Advertencias generales de seguridad para herramientas eléctricas

⚠️ ADVERTENCIA: Lea todas las advertencias de seguridad, instrucciones, ilustraciones y especificaciones suministradas con esta herramienta eléctrica. El no seguir todas las instrucciones indicadas a continuación podría ocasionar una descarga eléctrica, incendio y/o lesiones graves.

Conserve todas las advertencias e instrucciones como referencia en el futuro.

En las advertencias, el término "herramienta eléctrica" se refiere a su herramienta eléctrica de funcionamiento con conexión a la red eléctrica (con cableado eléctrico) o herramienta eléctrica de funcionamiento a batería (inalámbrica).

Seguridad en el área de trabajo

1. **Mantenga el área de trabajo limpia y bien iluminada.** Las áreas oscuras o desordenadas son propensas a accidentes.
2. **No utilice las herramientas eléctricas en atmósferas explosivas, tal como en la presencia de líquidos, gases o polvo inflamables.** Las herramientas eléctricas crean chispas que pueden prender fuego al polvo o los humos.
3. **Mantenga a los niños y curiosos alejados mientras utiliza una herramienta eléctrica.** Las distracciones le pueden hacer perder el control.

Seguridad eléctrica

1. **Las clavijas de conexión de las herramientas eléctricas deberán encajar perfectamente en la toma de corriente. No modifique nunca la clavija de conexión de ninguna forma. No utilice ninguna clavija adaptadora con herramientas eléctricas que tengan conexión a tierra (puesta a tierra).** La utilización de clavijas no modificadas y que encajen perfectamente en la toma de corriente reducirá el riesgo de que se produzca una descarga eléctrica.
2. **Evite tocar con el cuerpo superficies conectadas a tierra o puestas a tierra tales como tubos, radiadores, cocinas y refrigeradores.** Si su cuerpo es puesto a tierra o conectado a tierra existirá un mayor riesgo de que sufra una descarga eléctrica.
3. **No exponga las herramientas eléctricas a la lluvia ni a condiciones húmedas.** La entrada de agua en una herramienta eléctrica aumentará el riesgo de que se produzca una descarga eléctrica.
4. **No maltrate el cable. Nunca utilice el cable para transportar, jalar o desconectar la herramienta eléctrica. Mantenga el cable alejado del calor, aceite, objetos cortantes o piezas móviles.** Los cables dañados o enredados aumentan el riesgo de sufrir una descarga eléctrica.
5. **Cuando utilice una herramienta eléctrica en exteriores, utilice un cable de extensión apropiado para uso en exteriores.** La utilización de un cable apropiado para uso en exteriores reducirá el riesgo de que se produzca una descarga eléctrica.
6. **Si no es posible evitar usar una herramienta eléctrica en condiciones húmedas, utilice un alimentador protegido con interruptor de circuito de falla a tierra (ICFT).** El uso de un ICFT reduce el riesgo de descarga eléctrica.
7. **Las herramientas eléctricas pueden producir campos electromagnéticos (CEM) que no son dañinos para el usuario.** Sin embargo, si los usuarios tienen marcapasos y otros dispositivos médicos similares, deberán consultar al fabricante de su dispositivo y/o a su médico antes de operar esta herramienta eléctrica.

Seguridad personal

1. **Manténgase alerta, preste atención a lo que está haciendo y utilice su sentido común cuando opere una herramienta eléctrica. No utilice una herramienta eléctrica cuando esté cansado o bajo la influencia de drogas, alcohol o medicamentos.** Un momento de distracción mientras opera las herramientas eléctricas puede terminar en una lesión grave.
2. **Use equipo de protección personal. Póngase siempre protección para los ojos.** El equipo protector tal como máscara contra el polvo, zapatos de seguridad antiderrapantes, casco rígido y protección para oídos utilizado en las condiciones apropiadas reducirá el riesgo de lesiones.
3. **Impida el encendido accidental. Asegúrese de que el interruptor esté en la posición de apagado antes de conectar a la alimentación eléctrica y/o de colocar el cartucho de batería, así como al levantar o cargar la herramienta.** Cargar las herramientas eléctricas con su dedo en el interruptor o enchufarlas con el interruptor encendido hace que los accidentes sean comunes.
4. **Retire cualquier llave de ajuste o llave de apriete antes de encender la herramienta.** Una llave de ajuste o llave de apriete que haya sido dejada puesta en una parte giratoria de la herramienta eléctrica puede ocasionar alguna lesión.
5. **No utilice la herramienta donde no alcance. Mantenga los pies sobre suelo firme y el equilibrio en todo momento.** Esto permite un mejor control de la herramienta eléctrica en situaciones inesperadas.
6. **Use una vestimenta apropiada. No use ropa suelta ni alhajas. Mantenga su cabello y ropa alejados de las piezas móviles.** Las prendas de vestir holgadas, las alhajas y el cabello largo podrían engancharse en las piezas móviles.
7. **Si dispone de dispositivos para la conexión de equipos de extracción y recolección de polvo, asegúrese de conectarlos y utilizarlos debidamente.** Hacer uso de la recolección de polvo puede reducir los riesgos relacionados con el polvo.
8. **No permita que la familiaridad adquirida debido al uso frecuente de las herramientas haga que se sienta confiado e ignore los principios de seguridad de las herramientas.** Un descuido podría ocasionar una lesión grave en una fracción de segundo.

Mantenimiento y uso de la herramienta eléctrica

1. **No fuerce la herramienta eléctrica. Utilice la herramienta eléctrica correcta para su aplicación.** La herramienta eléctrica adecuada hará un mejor trabajo y de forma más segura a la velocidad para la que ha sido fabricada.
2. **No utilice la herramienta eléctrica si el interruptor no la enciende y apaga.** Cualquier herramienta eléctrica que no pueda ser controlada con el interruptor es peligrosa y debe ser reemplazada.

3. **Desconecte la clavija de la fuente de alimentación y/o retire la batería de la herramienta eléctrica, en caso de ser removible, antes de realizar ajustes, cambiar accesorios o almacenar las herramientas eléctricas.** Tales medidas de seguridad preventivas reducirán el riesgo de poner en marcha la herramienta eléctrica de forma accidental.
4. **Guarde la herramienta eléctrica que no use fuera del alcance de los niños y no permita que las personas que no están familiarizadas con ella o con las instrucciones la operen.** Las herramientas eléctricas son peligrosas en manos de personas que no saben operarlas.
5. **Dé mantenimiento a las herramientas eléctricas y los accesorios. Compruebe que no haya piezas móviles desalineadas o estancadas, piezas rotas y cualquier otra condición que pueda afectar al funcionamiento de la herramienta eléctrica. Si la herramienta eléctrica está dañada, haga que la reparen antes de utilizarla.** Muchos de los accidentes son ocasionados por no dar un mantenimiento adecuado a las herramientas eléctricas.
6. **Mantenga las herramientas de corte limpias y filosas.** Si recibe un mantenimiento adecuado y tiene los bordes afilados, es probable que la herramienta se atasque menos y sea más fácil controlarla.
7. **Utilice la herramienta eléctrica, los accesorios y las brocas de acuerdo con estas instrucciones, considerando las condiciones laborales y el trabajo a realizar.** Si utiliza la herramienta eléctrica para realizar operaciones distintas de las indicadas, podrá presentarse una situación peligrosa.
8. **Mantenga los mangos y superficies de asiento secos, limpios y libres de aceite o grasa.** Los mangos y superficies de asiento resbalosos no permiten una manipulación segura ni el control de la herramienta en situaciones inesperadas.
9. **Cuando vaya a utilizar esta herramienta, evite usar guantes de trabajo de tela ya que éstos podrían atorarse.** Si los guantes de trabajo de tela llegan a atorarse en las piezas móviles, esto podría ocasionar lesiones personales.

Uso y cuidado de la herramienta a batería

1. **Recargue sólo con el cargador especificado por el fabricante.** Un cargador que es adecuado para un solo tipo de batería puede generar riesgo de incendio al ser utilizado con otra batería.
2. **Utilice las herramientas eléctricas solamente con las baterías designadas específicamente para ellas.** La utilización de cualquier otra batería puede crear un riesgo de lesiones o incendio.
3. **Cuando no se esté usando la batería, manténgala alejada de otros objetos metálicos, como sujetapapeles (clips), monedas, llaves, clavos, tornillos u otros objetos pequeños de metal los cuales pueden actuar creando una conexión entre las terminales de la batería.** Originar un cortocircuito en las terminales puede causar quemaduras o incendios.

4. **En condiciones abusivas, podrá escapar líquido de la batería; evite tocarlo. Si lo toca accidentalmente, enjuague con agua. Si hay contacto del líquido con los ojos, busque asistencia médica.** Puede que el líquido expulsado de la batería cause irritación o quemaduras.
5. **No utilice una herramienta ni una batería que estén dañadas o hayan sido modificadas.** Las baterías dañadas o modificadas podrían ocasionar una situación inesperada provocando un incendio, explosión o riesgo de lesiones.
6. **No exponga la herramienta ni la batería al fuego ni a una temperatura excesiva.** La exposición al fuego o a una temperatura superior a los 130 °C podría causar una explosión.
7. **Siga todas las instrucciones para la carga y evite cargar la herramienta o la batería fuera del rango de temperatura especificado en las instrucciones.** Una carga inadecuada o a una temperatura fuera del rango especificado podría dañar la batería e incrementar el riesgo de incendio.
9. **Asegúrese de que la fresa de la recortadora no esté haciendo contacto con la pieza de trabajo antes de activar el interruptor.**
10. **Antes de usar la herramienta en una pieza de trabajo, déjela un rato en funcionamiento. Observe si se producen vibraciones o desequilibrios que pudieran indicar que la broca está mal colocada.**
11. **Tenga cuidado con la dirección de giro y de avance de la fresa de la recortadora.**
12. **No deje la herramienta en marcha. Tenga en marcha la herramienta solamente cuando la tenga en la mano.**
13. **Apague siempre la herramienta y espere hasta que la fresa de la recortadora se haya detenido por completo antes de retirar la herramienta de la pieza de trabajo.**
14. **No toque la fresa de la recortadora inmediatamente después de la operación; podría estar extremadamente caliente y provocarle quemaduras en la piel.**

Servicio

1. **Haga que una persona calificada repare la herramienta eléctrica utilizando sólo piezas de repuesto idénticas.** Esto asegura que se mantenga la seguridad de la herramienta eléctrica.
2. **Nunca dé servicio a baterías que estén dañadas.** El servicio a las baterías solamente deberá ser efectuado por el fabricante o un agente de servicio autorizado.
3. **Siga las instrucciones para la lubricación y cambio de accesorios.**
4. **Mantenga las agarraderas secas, limpias y sin aceite o grasa.**
5. **No manche la base de la herramienta con diluyente, gasolina, aceite o por el estilo.** Estos productos pueden ocasionar grietas en la base de la herramienta.
6. **Utilice fresas de la rebajadora de diámetro de vástago correcto y apropiado para la velocidad de la herramienta.**
7. **Algunos materiales contienen sustancias químicas que pueden ser tóxicas.** Tome precauciones para evitar la inhalación de polvo o que éste tenga contacto con la piel. Consulte la información de seguridad del proveedor de los materiales.
8. **Siempre utilice el respirador/máscara indicado para protegerse del polvo que corresponda con la aplicación o material con el que trabaje.**

Advertencias de seguridad para la recortadora inalámbrica

1. **Sujete la herramienta eléctrica solamente por las superficies de aislamiento aisladas, ya que la pieza de corte podría hacer contacto con cableado oculto.** Si se corta un cable con corriente, las piezas metálicas expuestas de la herramienta eléctrica se cargarán también de corriente y el operador podría recibir una descarga eléctrica.
2. **Utilice abrazaderas o algún otro medio práctico para asegurar y sujetar la pieza de trabajo a una plataforma estable.** Sostener la pieza de trabajo con la mano o contra su cuerpo produce inestabilidad y puede ocasionar la pérdida de control.
3. **Póngase protección para los oídos durante los periodos de operación prolongados.**
4. **Manipule las fresas de la recortadora con mucho cuidado.**
5. **Inspeccione la fresa de la recortadora cuidadosamente para ver si tiene grietas o daños antes de la operación. Reemplace la fresa inmediatamente si está agrietada o dañada.**
6. **Evite cortar clavos. Inspeccione y quite todos los clavos de la pieza de trabajo antes de la operación.**
7. **Sostenga la herramienta con firmeza.**
8. **Mantenga las manos alejadas de las piezas giratorias.**

GUARDE ESTAS INSTRUCCIONES.

⚠ ADVERTENCIA: NO DEJE que la comodidad o familiaridad con el producto (a base de utilizarlo repetidamente) sustituya la estricta observancia de las normas de seguridad para dicho producto. **EI MAL USO** o el no seguir las normas de seguridad establecidas en este manual de instrucciones puede ocasionar lesiones personales graves.

Símbolos

A continuación se muestran los símbolos utilizados para la herramienta.

v	volts o voltios
— ---	corriente directa o continua
n.	velocidad sin carga
... /min r /min	revoluciones o alternaciones por minuto, frecuencia de rotación

Instrucciones importantes de seguridad para el cartucho de batería

1. Antes de utilizar el cartucho de batería, lea todas las instrucciones e indicaciones de precaución en el (1) el cargador de batería, (2) la batería, y (3) el producto con el que se utiliza la batería.
2. No desarme el cartucho de batería.
3. Si el tiempo de operación se ha acortado en exceso, deje de operar de inmediato. Podría correrse el riesgo de sobrecalentamiento, posibles quemaduras e incluso explosión.
4. En caso de que ingresen electrolitos en sus ojos, enjuáguelos bien con agua limpia y consulte de inmediato a un médico. Esto podría ocasionar pérdida de visión.
5. Evite cortocircuitar el cartucho de batería:
 - (1) No toque las terminales con ningún material conductor.
 - (2) Evite guardar el cartucho de batería en un cajón junto con otros objetos metálicos, tales como clavos, monedas, etc.
 - (3) No exponga el cartucho de batería al agua o la lluvia.

Un cortocircuito en la batería puede causar un flujo grande de corriente, sobrecalentamiento, posibles quemaduras e incluso una descompostura.

6. No guarde la herramienta ni el cartucho de batería en lugares donde la temperatura pueda alcanzar o exceder los 50°C (122°F).
7. Nunca incinere el cartucho de batería incluso en el caso de que esté dañado seriamente o ya no sirva en absoluto. El cartucho de batería puede explotar si se tira al fuego.
8. Tenga cuidado de no dejar caer ni golpear la batería.
9. No use una batería dañada.
10. Las baterías de ión de litio están sujetas a los requisitos reglamentarios en materia de bienes peligrosos.

Para el transporte comercial, por ej., mediante terceros o agentes de transporte, se deben tomar en cuenta los requisitos especiales relativos al empaque y el etiquetado.

Para efectuar los preparativos del artículo que se va a enviar, se requiere consultar a un experto en materiales peligrosos. Si es posible, consulte además otras regulaciones nacionales más detalladas.

Pegue o cubra con cinta adhesiva los contactos abiertos y empaque la batería de manera que ésta no pueda moverse dentro del paquete.
11. Siga las regulaciones locales relacionadas al desecho de las baterías.

GUARDE ESTAS INSTRUCCIONES.

⚠PRECAUCIÓN: Utilice únicamente baterías originales de Makita. El uso de baterías no originales de Makita, o de baterías alteradas, puede ocasionar que las baterías exploten causando un incendio, lesiones personales y daños. Asimismo, esto invalidará la garantía de Makita para la herramienta y el cargador Makita.

Consejos para alargar al máximo la vida útil de la batería

1. Cargue el cartucho de batería antes de que se descargue completamente. Pare siempre la operación y cargue el cartucho de batería cuando note menos potencia en la herramienta.
2. No cargue nunca un cartucho de batería que esté completamente cargado. La sobrecarga acortará la vida de servicio de la batería.
3. Cargue el cartucho de batería a una temperatura ambiente de 10 °C - 40 °C (50 °F - 104 °F). Si un cartucho de batería está caliente, déjelo enfriar antes de cargarlo.
4. Cargue el cartucho de batería si no va a utilizarlo durante un período prolongado (más de seis meses).

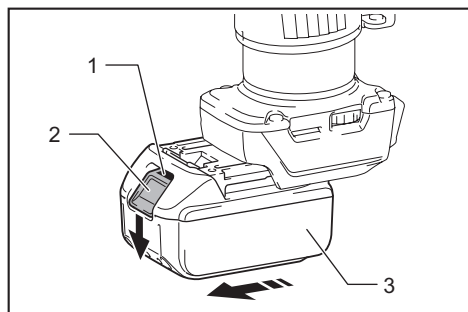
DESCRIPCIÓN DEL FUNCIONAMIENTO

⚠️ PRECAUCIÓN: Asegúrese siempre de que la herramienta esté apagada y el cartucho de batería haya sido extraído antes de realizar cualquier ajuste o comprobación en la herramienta.

Instalación o extracción del cartucho de batería

⚠️ PRECAUCIÓN: Apague siempre la herramienta antes de colocar o quitar el cartucho de batería.

⚠️ PRECAUCIÓN: Sujete la herramienta y el cartucho de la batería con firmeza al colocar o quitar el cartucho de batería. Si no se sujeta con firmeza la herramienta y el cartucho de batería, puede ocasionar que se resbalen de sus manos causando daños a la herramienta y al cartucho de batería, así como lesiones a la persona.



► 1. Indicador rojo 2. Botón 3. Cartucho de batería

Para quitar el cartucho de batería, deslícelo de la herramienta mientras desliza el botón sobre la parte delantera del cartucho.

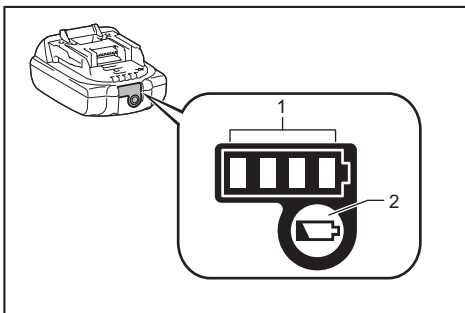
Para colocar el cartucho de batería, alinee la lengüeta sobre el cartucho de batería con la ranura en la carcasa y deslice en su lugar. Inserte por completo hasta que se fije en su lugar con un pequeño clic. Si puede ver el indicador rojo del lado superior del botón, esto indica que no ha quedado fijo por completo.

⚠️ PRECAUCIÓN: Introduzca siempre completamente el cartucho de batería hasta que el indicador rojo no pueda verse. Si no, podría accidentalmente salirse de la herramienta y caer al suelo causando una lesión a usted o alguien a su alrededor.

⚠️ PRECAUCIÓN: No instale el cartucho de batería a la fuerza. Si el cartucho no se desliza al interior fácilmente, se debe a que no está siendo insertado correctamente.

Indicación de la capacidad restante de la batería

Únicamente para cartuchos de batería con el indicador



► 1. Luces indicadoras 2. Botón de verificación

Oprima el botón de verificación en el cartucho de la batería para que indique la capacidad restante de la batería. Las luces indicadoras se iluminarán por algunos segundos.

Luces indicadoras			Capacidad restante
Iluminadas	Apagadas	Parpadeando	
■ ■ ■ ■			75% a 100%
■ ■ ■ □			50% a 75%
■ ■ □ □			25% a 50%
■ □ □ □			0% a 25%
▬ □ □ □			Cargar la batería.
■ ■ □ □			La batería pudo haber funcionado mal.
□ □ ■ ■			

NOTA: Dependiendo de las condiciones de uso y la temperatura ambiente, la indicación podrá diferir ligeramente de la capacidad real.

Sistema de protección para la herramienta/batería

La herramienta está equipada con un sistema de protección de la herramienta/batería. Este sistema corta en forma automática el suministro de energía al motor para prolongar la vida útil de la herramienta y la batería. La herramienta se detendrá automáticamente durante la operación si la herramienta o la batería se someten a una de las siguientes condiciones:

Protección contra sobrecarga

Cuando la batería se esté utilizando de una manera que cause que consuma una cantidad de corriente anormalmente alta, la herramienta se detendrá automáticamente sin indicación alguna. En este caso, apague la herramienta y detenga la aplicación que causó que la herramienta se sobrecargara. Luego encienda la herramienta para reiniciarla.

Protección contra sobrecalentamiento

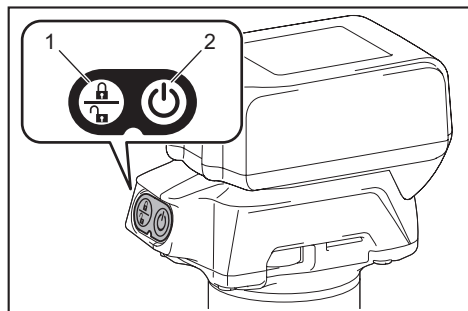
Cuando la herramienta o la batería se sobrecalienten, la herramienta se detendrá automáticamente y la lámpara parpadeará. En este caso, permita que la herramienta y la batería se enfríen antes de volver a encender la herramienta.

Protección en caso de sobredescarga

Cuando la capacidad de la batería no es suficiente, la herramienta se detiene automáticamente. En este caso, retire la batería de la herramienta y cárguela.

Accionamiento del interruptor

Para encender la herramienta, oprima el botón de bloqueo/desbloqueo. La herramienta se pondrá en el modo en espera. Para arrancar la herramienta, oprima el botón de encendido/apagado en el modo en espera. Para detener la herramienta, oprima el botón de encendido/apagado nuevamente. La herramienta se pondrá en el modo en espera. Para apagar la herramienta, oprima el botón de bloqueo/desbloqueo en el modo en espera.



► 1. Botón de bloqueo/desbloqueo 2. Botón de encendido/apagado

NOTA: Si la herramienta permanece 10 segundos en el modo en espera sin realizar ninguna operación, ésta se apagará automáticamente y la lámpara se desactivará.

NOTA: Usted también podrá detener y apagar la herramienta mientras ésta esté en marcha operando el botón de bloqueo/desbloqueo.

Iluminación de la luz delantera

PRECAUCIÓN: No mire a la luz ni vea a la fuente de luz directamente.

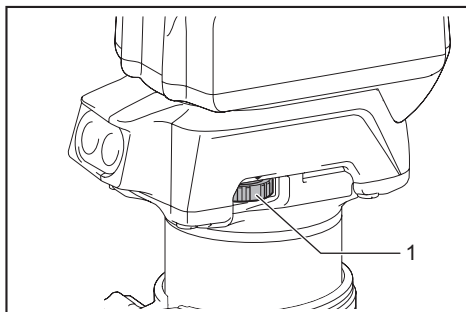
Para encender la lámpara, oprima el botón de bloqueo/desbloqueo. Para apagar la lámpara, oprima el botón de bloqueo/desbloqueo nuevamente.

AVISO: Cuando la herramienta se sobrecaliente, la lámpara comenzará a parpadear. Permita que la herramienta se enfríe por completo antes de volver a usarla.

NOTA: Utilice un paño seco para quitar la suciedad de la lente de la lámpara. Tenga cuidado de no rayar la lente de la lámpara ya que la iluminación podría disminuir.

Selector de ajuste de velocidad

La velocidad de rotación de la herramienta se puede cambiar girando el selector de ajuste de velocidad. La tabla a continuación muestra el número en el selector y la velocidad de rotación correspondiente.



► 1. Selector de ajuste de velocidad

Número	Velocidad
1	10 000 r/min
2	15 000 r/min
3	20 000 r/min
4	25 000 r/min
5	30 000 r/min

AVISO: Si la herramienta es usada de manera continua a baja velocidad durante un tiempo prolongado, el motor se sobrecargará ocasionando una falla en la herramienta.

AVISO: Cuando vaya a cambiar el selector de velocidad de "5" a "4", gire el selector en sentido inverso al de las manecillas del reloj. Evite girar el selector en el sentido de las manecillas del reloj forzosamente.

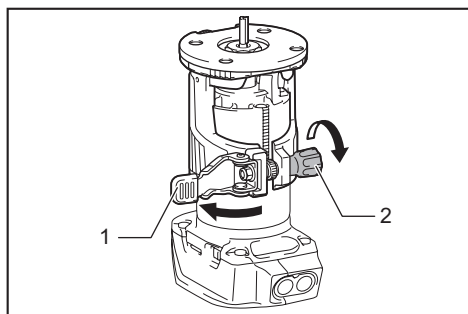
Funcionamiento electrónico

La herramienta está equipada con funciones electrónicas para facilitar la operación.

- Control de velocidad constante
La función de control de velocidad permite una rotación constante independientemente de las condiciones de carga.
- Arranque suave
La función de arranque suave minimiza el impacto de encendido y hace que la herramienta se ponga en marcha suavemente.

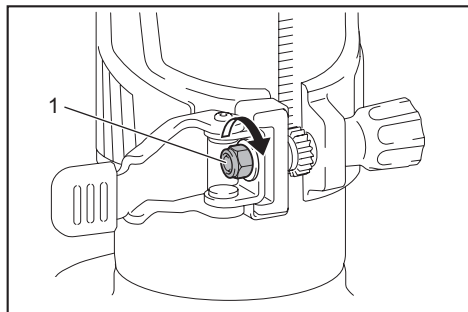
Ajuste de la profundidad de corte

Para ajustar la profundidad de corte, abra la palanca de bloqueo, luego mueva la base de la herramienta hacia arriba o hacia abajo girando el tornillo de ajuste. Después del ajuste, cierre la palanca de bloqueo firmemente.



► 1. Palanca de bloqueo 2. Tornillo de ajuste

AVISO: Si la herramienta no queda asegurada después de cerrar la palanca de bloqueo, apriete la tuerca hexagonal y luego cierre la palanca de bloqueo.

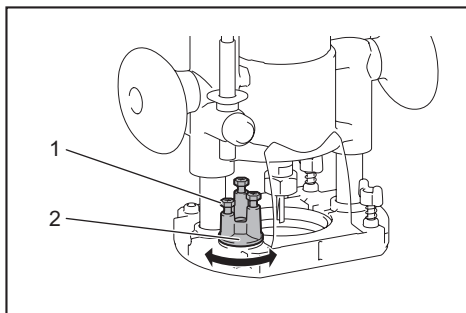


► 1. Tuerca hexagonal

Ajuste de la profundidad de corte con la base de inmersión

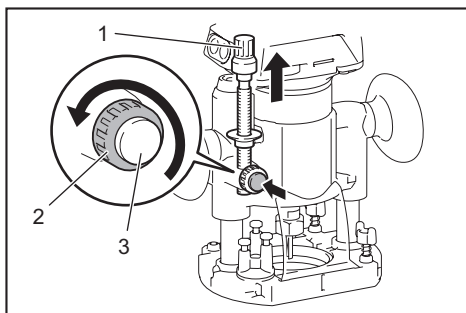
Accesorio opcional

1. Coloque la herramienta sobre una superficie plana.
2. Elija el tornillo de tope girando la base de tope.



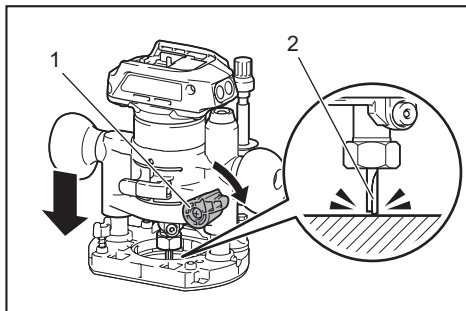
► 1. Tornillo de tope 2. Base de tope

3. Afloje la tuerca de fijación de la barra de tope, luego jale hacia arriba la barra de tope mientras oprime el botón de alimentación.



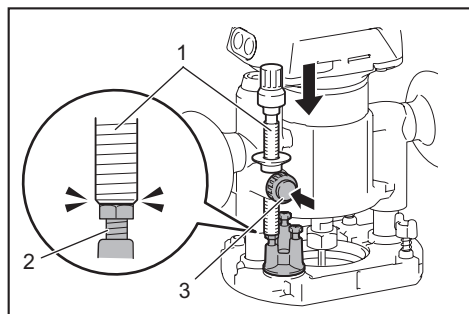
► 1. Barra de tope 2. Tuerca de fijación 3. Botón de alimentación

4. Empuje la herramienta hacia abajo hasta que la punta de la fresa de la recortadora toque la superficie plana, y luego gire la palanca de fijación para asegurar la herramienta.



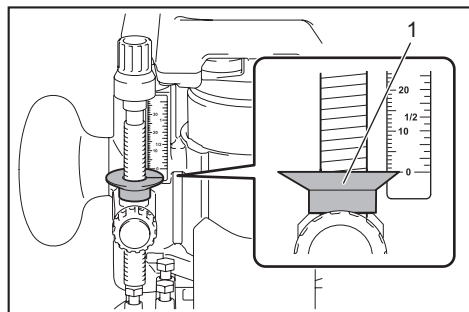
► 1. Palanca de fijación 2. Fresa de la recortadora

5. Presione hacia abajo la barra de tope mientras oprime el botón de alimentación hasta que éste haga contacto con el tornillo de tope.



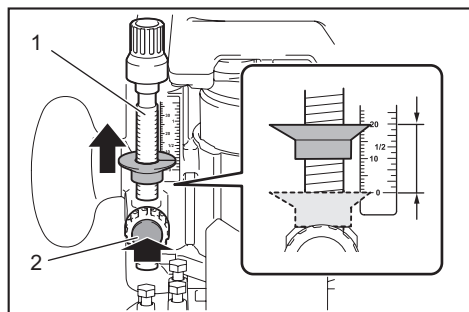
► 1. Barra de tope 2. Tornillo de tope 3. Botón de alimentación

6. Deslice el indicador de profundidad de manera que éste indique "0" en la escala.



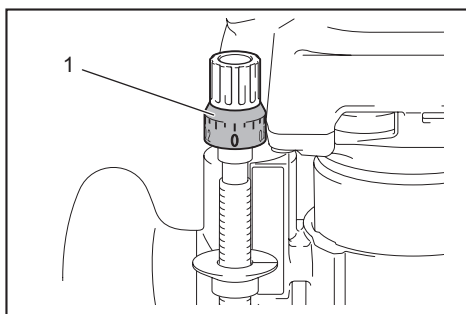
► 1. Indicador de profundidad

7. Ajuste la profundidad de corte jalando hacia arriba la barra de tope mientras oprime el botón de alimentación.



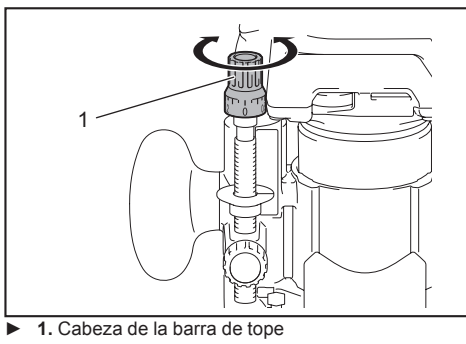
► 1. Barra de tope 2. Botón de alimentación

8. Para realizar un ajuste fino de la profundidad de corte, gire el selector en la barra de tope de manera que éste indique "0".



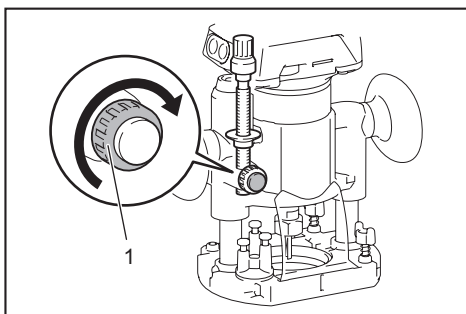
► 1. Selector

9. Gire la cabeza de la barra de tope para lograr la profundidad deseada. Para aumentar la profundidad, gire la cabeza en sentido inverso al de las manecillas del reloj. Para reducir la profundidad, gire la cabeza en el sentido de las manecillas del reloj.



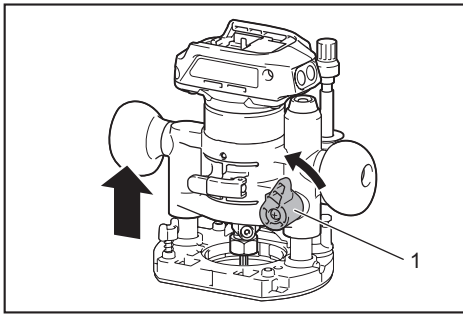
► 1. Cabeza de la barra de tope

10. Apriete la tuerca de fijación de la barra de tope.

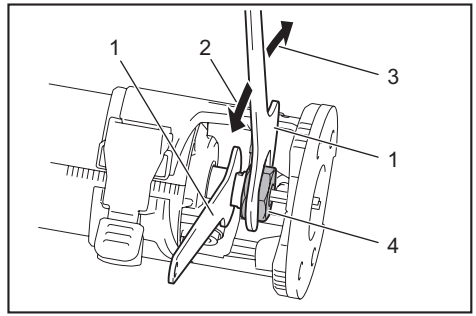


► 1. Tuerca de fijación

11. Libere la palanca de fijación.



► 1. Palanca de fijación



► 1. Llave 2. Aflojar 3. Apretar 4. Tuerca de sujeción

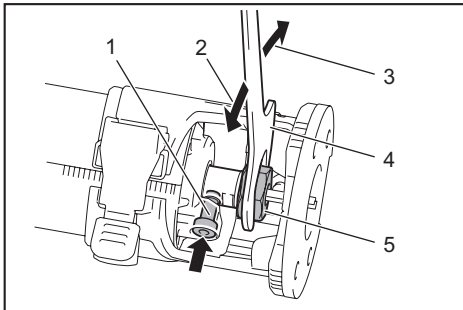
MONTAJE

⚠ PRECAUCIÓN: Asegúrese siempre de que la herramienta esté apagada y el cartucho de batería haya sido extraído antes de realizar cualquier trabajo en la misma.

Instalación o extracción de la fresa de la recortadora

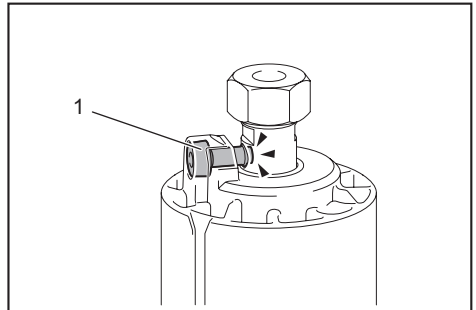
AVISO: No apriete la tuerca de sujeción sin haber insertado la fresa. El cono de sujeción podría romperse.

Inserte la fresa de la recortadora hasta el fondo en el cono de sujeción. Presione el bloqueo del eje y apriete la tuerca de sujeción con la llave o apriétela firmemente con las dos llaves. Para retirar la fresa, siga el proceso de instalación en orden inverso.



► 1. Bloqueo de eje 2. Aflojar 3. Apretar 4. Llave 5. Tuerca de sujeción

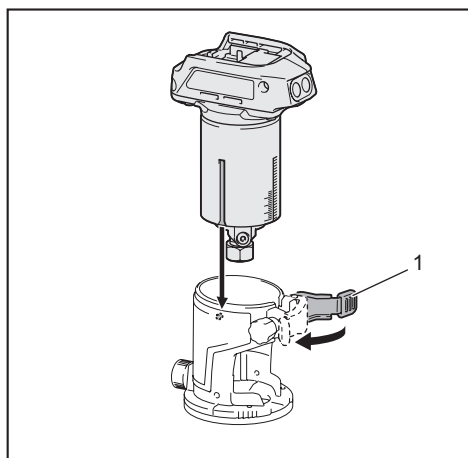
NOTA: El bloqueo del eje podría no regresar a la posición original cuando apriete la tuerca de sujeción durante la instalación de la fresa de la recortadora. El bloqueo del eje regresará a la posición original una vez que ponga en marcha la herramienta.



► 1. Bloqueo de eje

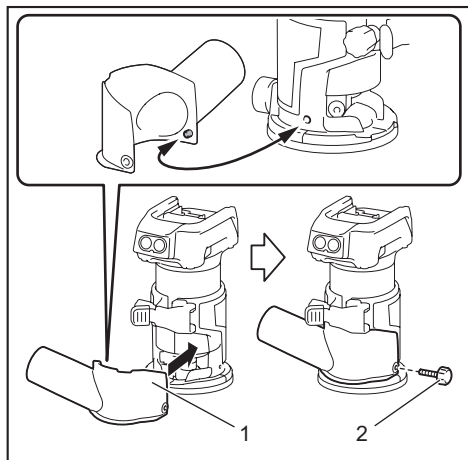
Instalación o extracción de la base de la recortadora

1. Abra la palanca de bloqueo de la base de la recortadora, luego inserte la herramienta en la base de la recortadora alineando la ranura en la herramienta con la protuberancia en la base de la recortadora.

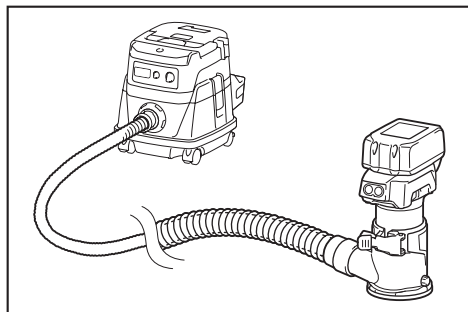


► 1. Palanca de bloqueo

2. Cierre la palanca de bloqueo.
3. Coloque la boquilla para polvo en la base de la recortadora y luego apriete el tornillo de pulgar.



► 1. Boquilla para polvo 2. Tornillo de pulgar

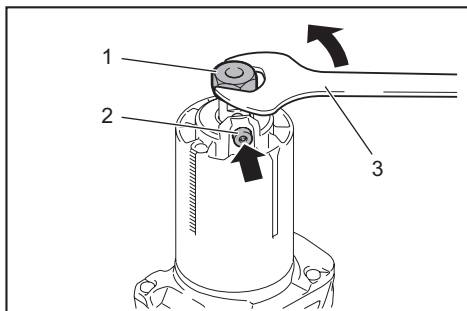


Para extraer la base, siga el procedimiento de instalación en orden inverso.

Instalación o extracción de la base descentrada

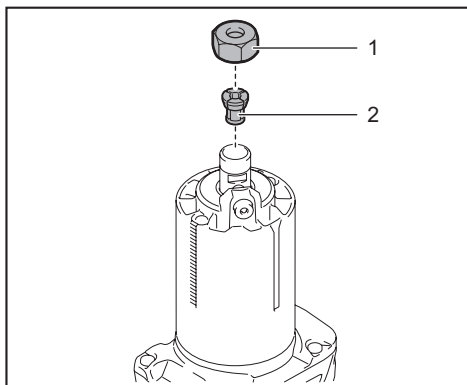
Accesorio opcional

1. Presione el bloqueo del eje y luego afloje la tuerca de sujeción.



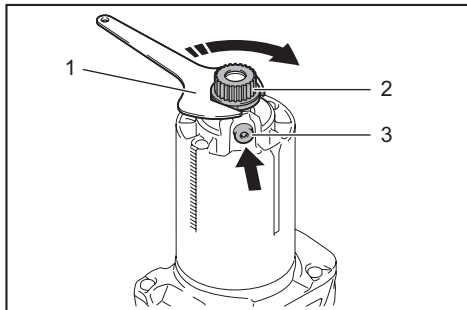
► 1. Tuerca de sujeción 2. Bloqueo de eje 3. Llave

2. Retire la tuerca de sujeción y el cono de sujeción.



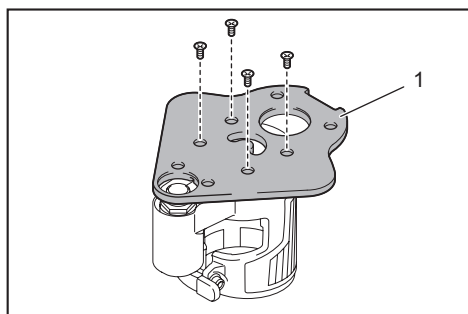
► 1. Tuerca de sujeción 2. Cono de sujeción

3. Instale la polea en la herramienta presionando el bloqueo del eje y apretando la polea con la llave.



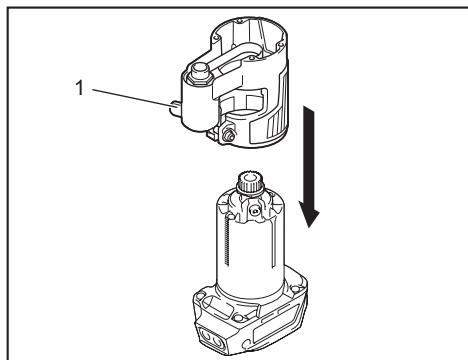
► 1. Llave 2. Polea 3. Bloqueo de eje

4. Afloje los tornillos en la placa de base y luego extraiga la placa de base.



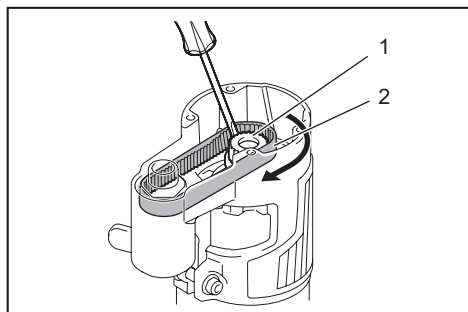
► 1. Placa de base

5. Abra la palanca de bloqueo de la base descentrada y luego inserte la herramienta en la base descentrada.



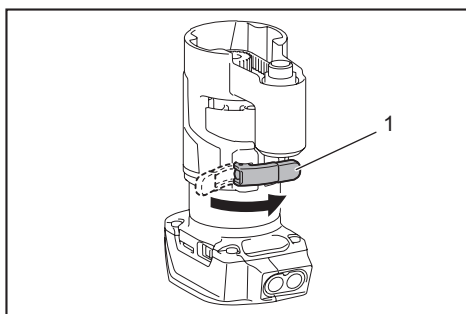
► 1. Palanca de bloqueo

6. Instale la correa en la polea girando la correa manualmente.



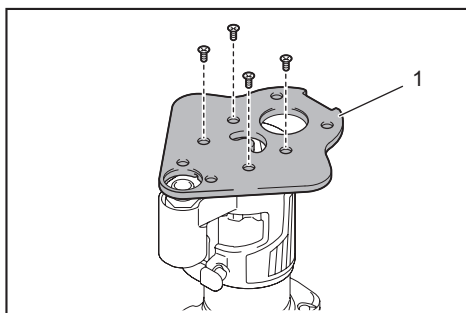
► 1. Polea 2. Correa

7. Cierre la palanca de bloqueo.



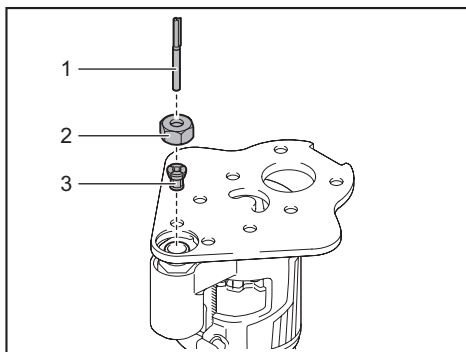
► 1. Palanca de bloqueo

8. Fije la placa de base apretando los tornillos.



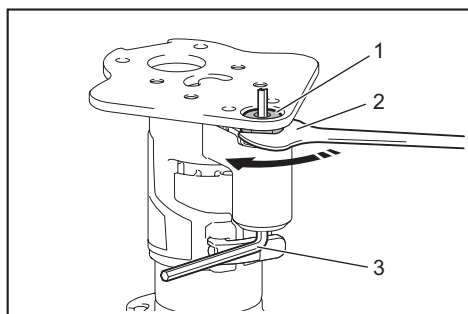
► 1. Placa de base

9. Inserte el cono de sujeción y la fresa de la recortadora en la base descentrada, y luego apriete la tuerca de sujeción.



► 1. Fresa de la recortadora 2. Tuerca de sujeción
3. Cono de sujeción

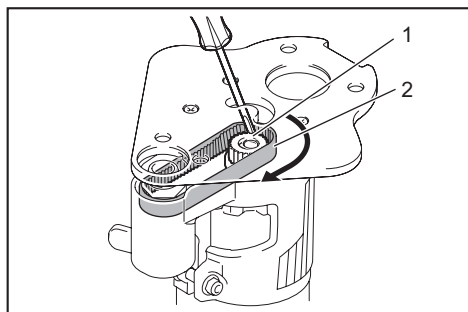
10. Inserte la llave hexagonal en el orificio de la base descentrada y luego apriete la tuerca de sujeción con la llave.



► 1. Tuerca de sujeción 2. Llave 3. Llave hexagonal

Para extraer la base, siga el procedimiento de instalación en orden inverso.

NOTA: Usted también puede instalar la correa en la polea sin extraer la placa de base tal como se muestra en la ilustración.

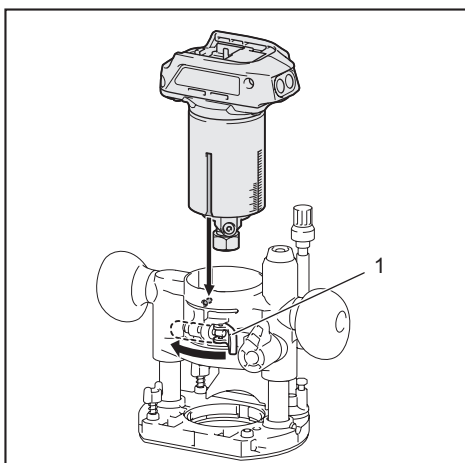


► 1. Polea 2. Correa

Instalación o extracción de la base de inmersión

Accesorio opcional

1. Abra la palanca de bloqueo de la base de inmersión, luego inserte la herramienta en la base de inmersión hasta el fondo, alineando la ranura en la herramienta con la protuberancia en la base de inmersión.



► 1. Palanca de bloqueo

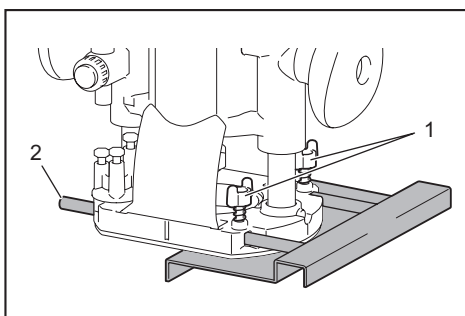
2. Cierre la palanca de bloqueo.

Para extraer la base, siga el procedimiento de instalación en orden inverso.

Instalación o extracción de la regla paralela en la base de inmersión

Accesorio opcional

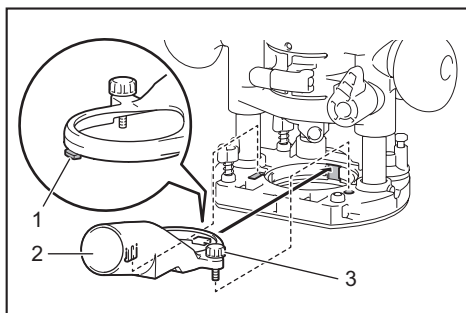
Inserte las barras de guía en los orificios en la base de inmersión y luego apriete los pernos de mariposa. Para retirar la regla, siga el procedimiento de instalación en orden inverso.



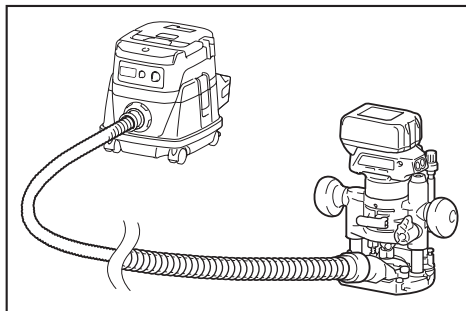
► 1. Perno de mariposa 2. Barra de guía

Instalación o extracción de la boquilla para polvo en la base de inmersión

Inserte la boquilla para polvo en la base de inmersión de manera que la protuberancia en la boquilla para polvo encaje en la muesca en la base de inmersión, y luego apriete el tornillo de pulgar en la boquilla para polvo. Para extraer la boquilla, siga el procedimiento de instalación en orden inverso.



- 1. Protuberancia 2. Boquilla para polvo 3. Tornillo de pulgar

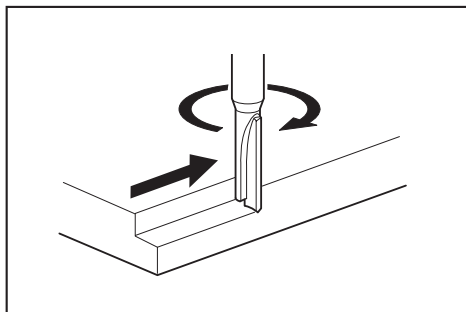


OPERACIÓN

Uso de la herramienta con la base de la recortadora

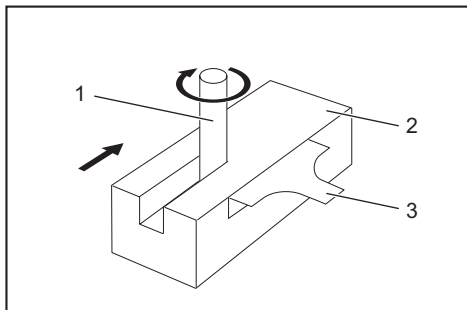
Coloque la base de la herramienta sobre la pieza de trabajo sin que la fresa de la recortadora haga contacto alguno. Encienda la herramienta y espere hasta que la fresa adquiera plena velocidad. Desplace la herramienta hacia adelante sobre la superficie de la pieza de trabajo. Mantenga la base de la herramienta nivelada mientras desplaza la herramienta.

Cuando vaya a cortar un borde, asegúrese de mantener la superficie de la pieza de trabajo del lado izquierdo de la fresa de la recortadora en la dirección de avance.



NOTA: Antes de cortar en la pieza de trabajo real, se recomienda hacer un corte de prueba. La velocidad de avance apropiada dependerá del tamaño de la fresa, el tipo de pieza de trabajo y la profundidad de corte. Si mueve la herramienta hacia delante muy de prisa podría ocasionar un corte de mala calidad, o dañar la fresa o el motor. Si mueve la herramienta hacia delante muy despacio podría quemar y arruinar el corte.

Cuando utilice la zapata de recorte, la guía recta o la guía de recorte, asegúrese de mantenerla del lado derecho en la dirección de avance. Esto ayudará a mantenerla al ras con el costado de la pieza de trabajo.



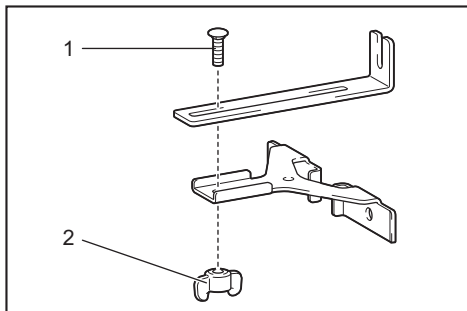
- 1. Fresa de la recortadora 2. Pieza de trabajo 3. Guía recta

AVISO: Puesto que un corte excesivo puede causar la sobrecarga del motor o dificultad para controlar la herramienta, la profundidad de corte no deberá ser de más de 3 mm (1/8") por pasada al hacer ranuras. Cuando desee hacer ranuras de más de 3 mm (1/8") de profundidad, haga varias pasadas ajustando la fresa a una profundidad cada vez mayor.

Uso de la guía recta

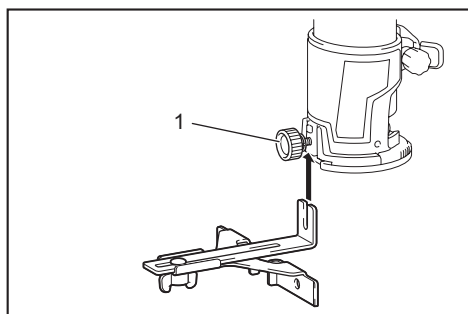
Accesorio opcional

1. Ensamble la guía recta con el perno y la tuerca de mariposa.



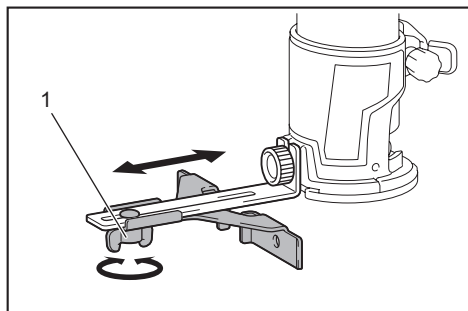
- 1. Perno 2. Tuerca de mariposa

2. Fije la guía recta a la base de la recortadora con el tornillo de fijación.



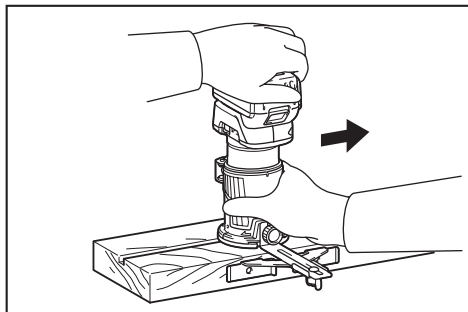
► 1. Tornillo de fijación

3. Afloje la tuerca de mariposa en la guía recta y ajuste la distancia entre la fresa y la guía recta. En la distancia deseada, apriete la tuerca de mariposa.



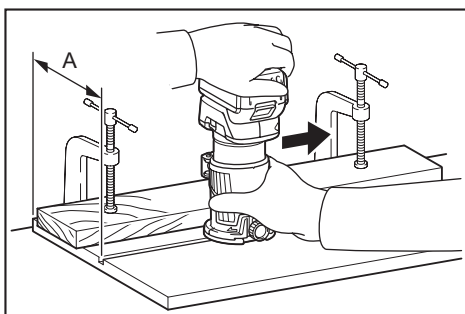
► 1. Tuerca de mariposa

4. Desplace la herramienta con la guía recta a ras con el lado de la pieza de trabajo.



Si la distancia (A) entre el costado de la pieza de trabajo y la posición de corte es muy ancha para la guía recta, o si el costado de la pieza de trabajo no es recto, no podrá utilizarse la guía recta.

En este caso, sujete firmemente una tabla recta a la pieza de trabajo y utilícela como guía contra la base de la recortadora. Avance la herramienta en la dirección de la flecha.

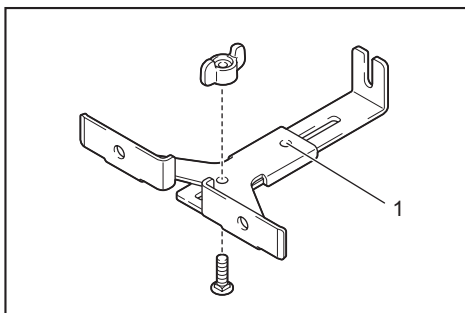


Uso de la guía recta para hacer un corte circular

Para hacer un corte circular, ensamble la guía recta tal como se muestra en las ilustraciones. Los radios mínimo y máximo de los círculos a cortar (distancia entre el centro del círculo y el centro de la fresa) son los siguientes:

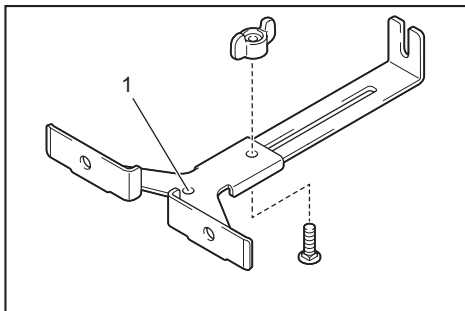
- Mínimo: 70 mm (2-3/4")
- Máximo: 221 mm (8-11/16")

Para cortar círculos entre 70 mm (2-3/4") y 121 mm (4-3/4") de radio



► 1. Orificio central

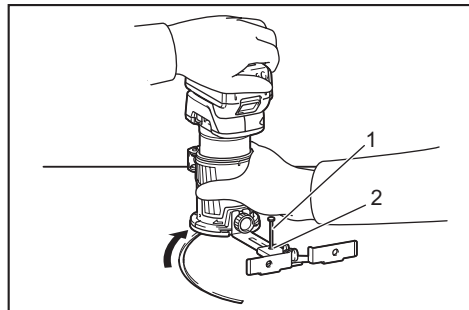
Para cortar círculos entre 121 mm (4-3/4") y 221 mm (8-11/16") de radio



► 1. Orificio central

NOTA: Con esta guía no se pueden cortar círculos de entre 172 mm (6-3/4") y 186 mm (7-5/16") de radio.

Alinee el orificio central en la guía recta con el centro del círculo a ser cortado. Inserte un clavo de menos de 6 mm (1/4") de diámetro en el orificio central para fijar la guía recta. Gire la herramienta alrededor del clavo en el sentido de las manecillas del reloj.



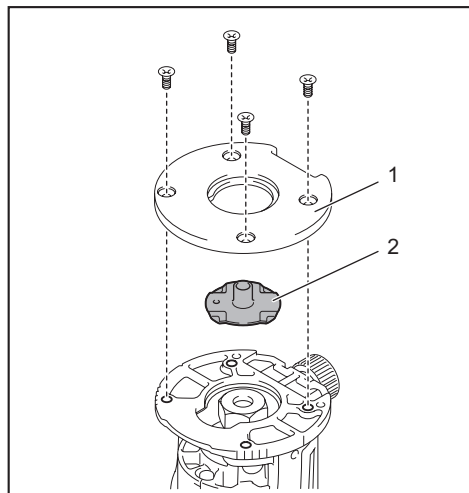
► 1. Clavo 2. Orificio central

Uso de la guía de plantilla

Accesorio opcional

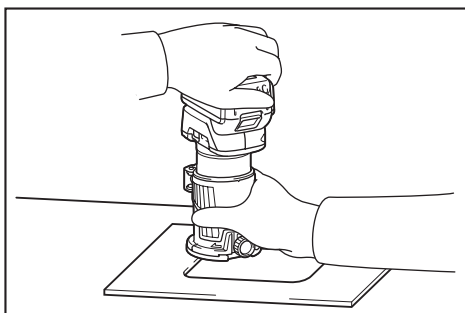
La guía de plantilla permite repetir un corte con los patrones de plantilla mediante el uso de una plantilla.

1. Afloje los tornillos en la placa de base y luego retire la placa de base de la base de la recortadora.
2. Coloque la guía de plantilla sobre la base y luego fije la placa de base apretando los tornillos.

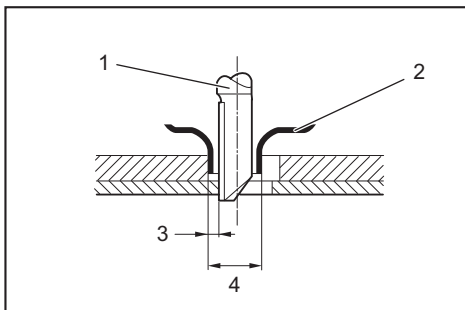


► 1. Placa de base 2. Guía de plantilla

3. Ponga la herramienta sobre la plantilla y mueva la herramienta deslizando la guía de plantilla a lo largo del costado de la plantilla.



NOTA: El tamaño real del corte en la pieza de trabajo difiere ligeramente de la plantilla. La diferencia consiste en la distancia (X) entre la fresa de la recortadora y el exterior de la guía de plantilla. La distancia (X) se puede calcular utilizando la siguiente ecuación:
Distancia (X) = (diámetro exterior de la guía de plantilla - diámetro de la fresa de la recortadora) / 2

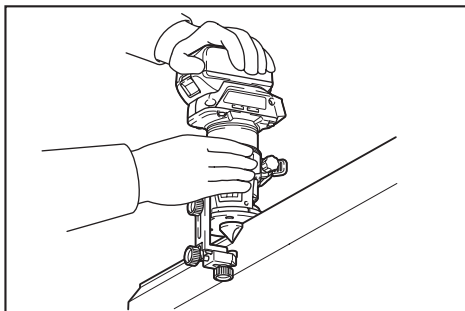


► 1. Fresa de la recortadora 2. Guía de plantilla
3. Distancia (X) 4. Diámetro exterior de la guía de plantilla

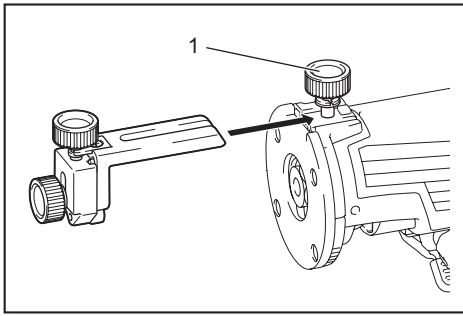
Uso de la guía de recorte

Accesorio opcional

La guía de recorte permite hacer cortes curvados como chapas para muebles moviendo el rodillo guía a lo largo del costado de la pieza de trabajo.

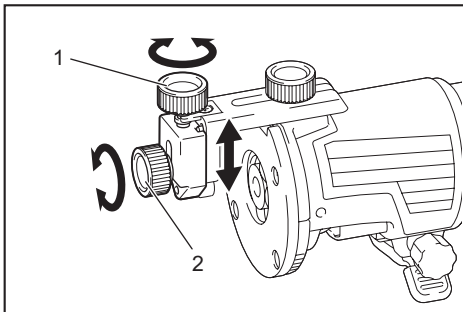


1. Afloje el tornillo de fijación, instale la guía de recorte en la base de la recortadora y luego apriete el tornillo de fijación.



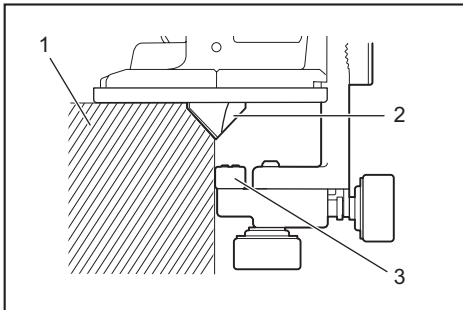
► 1. Tornillo de fijación

2. Afloje el tornillo de fijación y ajuste la distancia entre la fresa de la recortadora y la guía de recorte girando el tornillo de ajuste (1 mm (3/64") por vuelta). En la distancia deseada, apriete el tornillo de fijación para fijar la guía de recorte.



► 1. Tornillo de ajuste 2. Tornillo de fijación

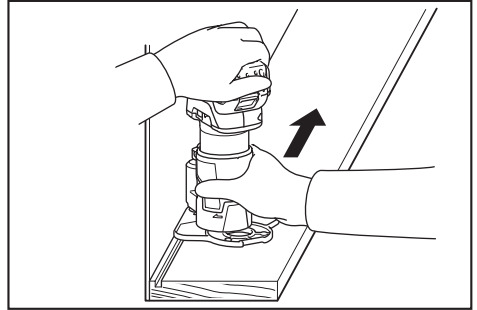
3. Mueva la herramienta desplazando el rodillo guía a lo largo del costado de la pieza de trabajo.



► 1. Pieza de trabajo 2. Fresa 3. Rodillo guía

Uso de la herramienta con la base descentrada

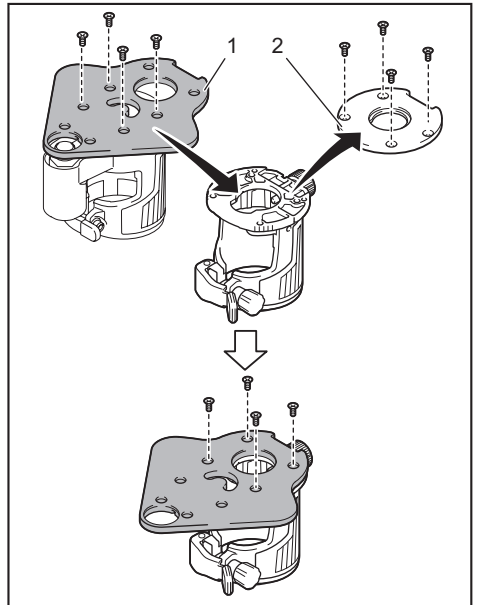
La base descentrada es conveniente para trabajar en un área reducida tal como una esquina.



Uso de la base de la recortadora con la placa de base descentrada y la empuñadura

La placa de base descentrada también se puede utilizar con una base de la recortadora y un accesorio de la empuñadura (accesorio opcional) para lograr mayor estabilidad.

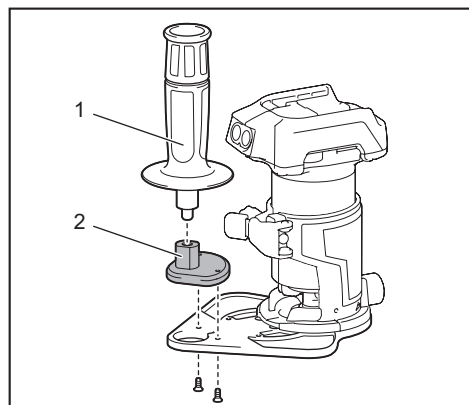
1. Afloje los tornillos en la placa de base y luego retire la placa de base de la base descentrada.



► 1. Placa de base descentrada 2. Placa de base de la recortadora

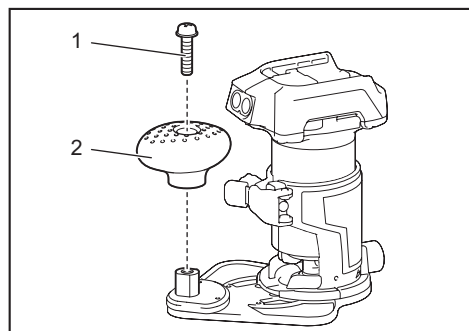
2. Fije la placa de base descentrada en la base de la recortadora apretando los tornillos.

3. Coloque el accesorio de la empuñadura y la empuñadura tipo barra en la placa de base descentrada apretando los tornillos.



► 1. Empuñadura tipo barra 2. Accesorio de la empuñadura

La empuñadura tipo perilla extraída de la base de inmersión se puede instalar en la base descentrada en lugar de la empuñadura tipo barra.



► 1. Tornillo 2. Empuñadura tipo perilla

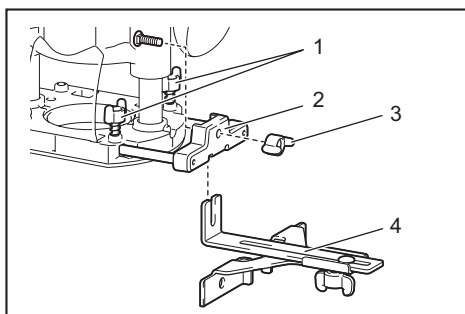
Uso de la herramienta con la base de inmersión

Sostenga siempre firmemente las empuñaduras con ambas manos durante la operación. Opere la herramienta de la misma manera que la base de la recortadora.

Uso de la guía recta

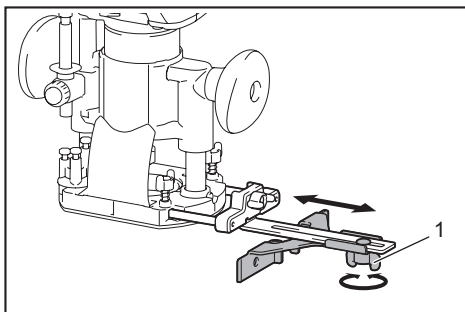
Accesorio opcional

1. Instale la guía recta en el sujetador de la guía apretando la tuerca de mariposa. Inserte el sujetador de la guía en los orificios en la base de inmersión y luego apriete los pernos de mariposa.



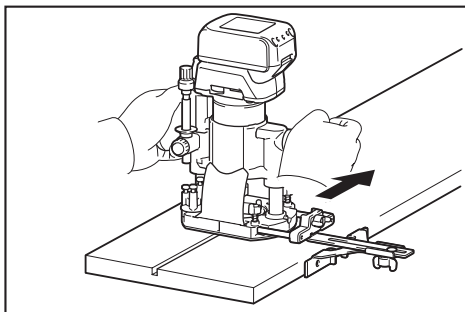
► 1. Perno de mariposa 2. Sujetador de la guía 3. Tuerca de mariposa 4. Guía recta

2. Afloje la tuerca de mariposa en la guía recta y ajuste la distancia entre la fresa y la guía recta. En la distancia deseada, apriete la tuerca de mariposa.



► 1. Tuerca de mariposa

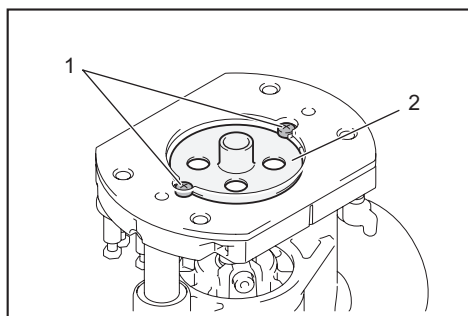
3. Opere la herramienta de la misma manera que la guía recta para la base de la recortadora.



Uso de la guía de plantilla

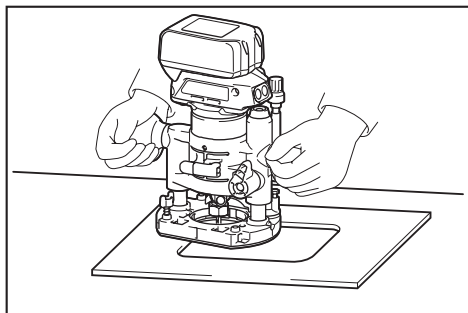
Accesorio opcional

1. Afloje los tornillos en la base y retírelos. Coloque la guía de plantilla sobre la base y luego apriete los tornillos.



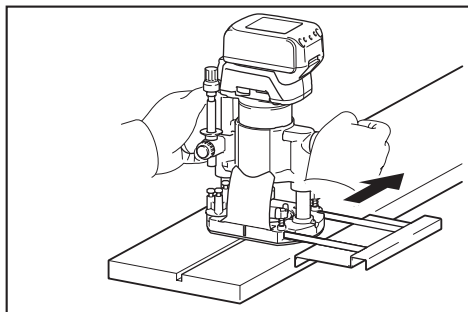
► 1. Tornillo 2. Guía de plantilla

2. Opere la herramienta de la misma manera que la guía de plantilla para la base de la recortadora.

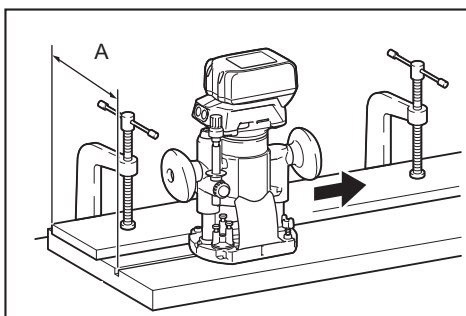


Uso de la regla paralela

La regla paralela resulta eficaz para hacer cortes rectos durante el biselado o el ranurado. Ajuste la distancia entre la fresa y la regla paralela. En la distancia deseada, apriete los pernos de mariposa para fijar la regla paralela. Cuando corte, mueva la herramienta con la regla paralela nivelada con el costado de la pieza de trabajo.

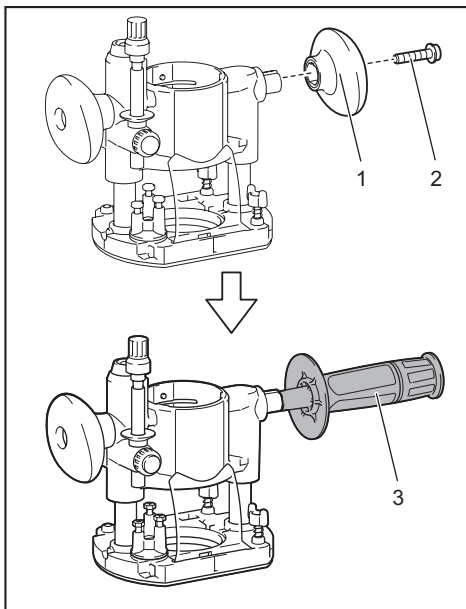


Si la distancia (A) entre el costado de la pieza de trabajo y la posición de corte es muy ancha para la regla paralela, o si el costado de la pieza de trabajo no es recto, no podrá utilizarse la regla paralela. En este caso, sujete firmemente una tabla recta a la pieza de trabajo y utilícela como guía contra la base de inserción. Avance la herramienta en la dirección de la flecha.



Cambio de la empuñadura tipo perilla a la empuñadura tipo barra

Para instalar la empuñadura tipo barra en la base de inserción, afloje el tornillo de la empuñadura tipo perilla, luego retire la empuñadura tipo perilla y después instale la empuñadura tipo barra apretándola.



► 1. Empuñadura tipo perilla 2. Tornillo
3. Empuñadura tipo barra

MANTENIMIENTO

⚠️ PRECAUCIÓN: Asegúrese siempre de que la herramienta esté apagada y el cartucho de batería extraído antes de intentar realizar una inspección o mantenimiento.

AVISO: Nunca use gasolina, bencina, diluyente (tiner), alcohol o sustancias similares. Puede que esto ocasione grietas o descoloramiento.

Para mantener la SEGURIDAD y FIABILIDAD del producto, las reparaciones, y cualquier otra tarea de mantenimiento o ajuste deberán ser realizadas en centros de servicio autorizados o de fábrica Makita, empleando siempre repuestos Makita.

ACCESORIOS OPCIONALES

⚠️ PRECAUCIÓN: Estos accesorios o aditamentos están recomendados para utilizarse con su herramienta Makita especificada en este manual.

El empleo de cualquier otro accesorio o aditamento puede conllevar el riesgo de lesiones personales. Utilice los accesorios o aditamentos solamente para su fin establecido.

Si necesita cualquier ayuda para más detalles en relación con estos accesorios, pregunte a su centro de servicio local Makita.

- Fresas rectas y de formación de ranuras
- Fresas de formación de bordes
- Fresas de recorte de laminados
- Conjunto de la guía recta
- Conjunto de la guía de recorte
- Conjunto de la base de la recortadora
- Conjunto de la base de inmersión
- Conjunto de la base descentrada
- Accesorio de la empuñadura
- Guía de plantilla
- Cono de sujeción de 1/4"
- Cono de sujeción de 3/8"
- Llave 13
- Llave 22
- Makita genuine battery and charger

NOTA: Algunos de los artículos en la lista pueden incluirse en el paquete de la herramienta como accesorios estándar. Éstos pueden variar de país a país.

GARANTÍA LIMITADA DE UN AÑO DE MAKITA

Ésta Garantía no aplica para México Política de garantía

Cada herramienta Makita es inspeccionada y probada exhaustivamente antes de salir de la fábrica. Se garantiza que está libre de defectos de mano de obra y materiales por el período de UN AÑO a partir de la fecha original de compra. Si durante este período de un año se desarrollara algún problema, devuelva la herramienta COMPLETA, con el envío prepago, a un centro de servicio autorizado o de fábrica Makita. Si la inspección muestra que el problema ha sido a causa de un defecto de mano de obra o material, Makita hará la reparación (o a su discreción, el reemplazo) sin ningún cargo. Esta garantía no aplica cuando:

- las reparaciones se hayan hecho o intentado hacer por otros;
- se requieran reparaciones debido al desgaste normal;
- la herramienta haya sido maltratada, recibido un mal uso o haya recibido un mantenimiento inapropiado;
- se hayan hecho modificaciones a la herramienta.

EN NINGÚN CASO MAKITA SE HARÁ RESPONSABLE DE NINGÚN DAÑO INDIRECTO, INCIDENTAL, O DERIVADO DE LA VENTA O USO DEL PRODUCTO. ESTE DESCARGO DE RESPONSABILIDAD APLICA DURANTE Y DESPUÉS DEL PLAZO DE ESTA GARANTÍA.

MAKITA RENUNCIA A LA RESPONSABILIDAD POR CUALQUIER GARANTÍA IMPLÍCITA, INCLUYENDO GARANTÍAS DE "COMERCIABILIDAD" Y "ADECUACIÓN PARA UN PROPÓSITO ESPECÍFICO", DESPUÉS DEL PLAZO DE UN AÑO DE ESTA GARANTÍA.

Esta garantía le concede derechos legales específicos y usted podrá tener también otros derechos que varían de un estado a otro. Algunos estados no permiten la exclusión o limitación de daños incidentales o consecuentes, por lo que la limitación o exclusión arriba mencionada podría no aplicar para usted. Algunos estados no permiten la limitación sobre la duración de una garantía implícita, por lo que la limitación arriba mencionada podría no aplicar para usted.

< USA only >

WARNING

Some dust created by power sanding, sawing, grinding, drilling, and other construction activities contains chemicals known to the State of California to cause cancer, birth defects or other reproductive harm. Some examples of these chemicals are:

- lead from lead-based paints,
- crystalline silica from bricks and cement and other masonry products, and
- arsenic and chromium from chemically-treated lumber.

Your risk from these exposures varies, depending on how often you do this type of work. To reduce your exposure to these chemicals: work in a well ventilated area, and work with approved safety equipment, such as those dust masks that are specially designed to filter out microscopic particles.

< Sólo en los Estados Unidos >

ADVERTENCIA

Algunos polvos creados por el lijado, aserrado, esmerilado, taladrado y otras actividades de la construcción contienen sustancias químicas reconocidas por el Estado de California como causantes de cáncer, defectos de nacimiento y otros peligros de reproducción. Algunos ejemplos de estos productos químicos son:

- plomo de pinturas a base de plomo,
- sílice cristalino de ladrillos y cemento y otros productos de albañilería, y
- arsénico y cromo de maderas tratadas químicamente.

El riesgo al que se expone varía, dependiendo de la frecuencia con la que realice este tipo de trabajo. Para reducir la exposición a estos productos químicos: trabaje en un área bien ventilada y póngase el equipo de seguridad indicado, tal como las máscaras contra polvo que están especialmente diseñadas para filtrar partículas microscópicas.

Makita Corporation

3-11-8, Sumiyoshi-cho,
Anjo, Aichi 446-8502 Japan

www.makita.com

88585C942
XTR01-1
EN, ESMX
20170215