



SOMERSET

Wooden Swing Set

Model: #65012



- *Owner's Manual*
- *Frequently Asked Questions*
- *Assembly Instructions*
- *Warranty Information*

Manufacturer: *Backyard Discovery*
3001 North Rouse
Pittsburg, KS 66762
1-800-856-4445

*Register your new swing set on-line @ www.swingsetsonline.com
(you will also find any updates on assembly instructions and
information to order replacement parts)*

*Features the **SAFE-T-FUSE** fastening system.*

Patent Pending

*Save this assembly manual for future reference in the event that
you need to order replacement parts.*

STOP PARE

Missing A Part?

**CALL US BEFORE GOING
BACK TO THE STORE!**

The store where you made your purchase
does not stock parts for this item.

If you have assembly questions or if you need parts,
whether they are missing or damaged

Call Toll-Free Help Line or visit www.swingsetsonline.com

¡LLÁMENOS ANTES DE REGRESAR A LA TIENDA!

La tienda donde realizó la compra no almacena piezas de este producto.

Si tiene preguntas sobre el ensamblaje o si necesita piezas debido a que
faltan o están dañadas

llame gratis a la línea de ayuda

1-800-856-4445

PLEASE READ THIS BEFORE STARTING ASSEMBLY POR FAVOR LEA ESTAS INSTRUCCIONES ANTES DE COMENZAR EL ENSAMBLAJE

- READ THE ASSEMBLY MANUAL COMPLETELY, PAYING SPECIAL ATTENTION TO THE IMPORTANT TIPS AND SAFETY INFORMATION.
- AFTER YOU HAVE READ THE ASSEMBLY MANUAL, YOU WILL BE ABLE TO DECIDE IF YOU NEED PROFESSIONAL HELP TO COMPLETE THE ASSEMBLY OF THE STRUCTURE.
- SEPARATE AND IDENTIFY ALL PARTS TO MAKE SURE THAT YOU HAVE ALL OF THE PARTS LISTED.
- IF YOU CAN'T FIND ALL OF THE PARTS, CHECK THE PACKING MATERIAL. SMALL PARTS MAY HAVE FALLEN INTO IT DURING SHIPMENT.
- IF YOU HAVE PROBLEMS WITH THE ASSEMBLY OR IF ANY PART IS MISSING OR DAMAGED, PLEASE CALL THE HELP LINE **1-800-856-4445 OR VISIT www.swingsetsonline.com**
- LEA EL MANUAL DE ENSAMBLAJE COMPLETAMENTE, PRESTANDO ESPECIAL ATENCIÓN A LOS CONSEJOS ÚTILES IMPORTANTES Y A LA INFORMACIÓN SOBRE SEGURIDAD.
- DESPUÉS DE QUE HAYA LEÍDO EL MANUAL DE ENSAMBLAJE, PODRÁ DECIDIR SI NECESITA AYUDA PROFESIONAL PARA EFECTUAR EL ENSAMBLAJE DE LA ESTRUCTURA.
- SEPARE E IDENTIFIQUE TODAS LAS PIEZAS PARA COMPROBAR QUE DISPONE DE TODAS LAS PARTES INDICADAS.
- SI NO PUEDE ENCONTRAR TODAS LAS PIEZAS, REVISE EL MATERIAL DE EMPAQUE. ES POSIBLE QUE ALGUNAS PIEZAS PEQUEÑAS PUEDAN HABERSE CAÍDO ALLÍ DURANTE EL ENVÍO.
- MANTÉNGASE ALEJADO DE LOS NIÑOS MENORES A LA EDAD RECOMENDADA.
- SI TIENE PROBLEMAS CON EL ENSAMBLAJE O SI ALGUNA PIEZA FALTA O ESTÁ DAÑADA, LLAME A LA LÍNEA DE AYUDA AL **1-800-856-4445 O VISITE www.swingsetsonline.com**

PLEASE HAVE THE FOLLOWING INFORMATION WHEN YOU MAKE YOUR CALL:

- 1 – MODEL NUMBER OF THE PRODUCT LOCATED ON THE FRONT OF THE ASSEMBLY MANUAL
- 2 – DESCRIPTION OF THE PART FROM THE PARTS LIST

POR FAVOR TENGA VISIBLE LA SIGUIENTE INFORMACIÓN CUANDO LLAME:

- 1 - NÚMERO DE MODELO DEL PRODUCTO QUE SE ENCUENTRA UBICADO AL FRENTE DEL MANUAL DE ENSAMBLAJE

Owner's Manual Play Set

Dear Customer:

Please read entire booklet completely before beginning the assembly process.

Equipment is recommended for use by **children 3 to 10 years of age**. Structures are **not intended for public use**. **The Company does not warranty any of its residential structures subjected to commercial use such as: Daycare, Preschool, Nursery School, Recreational Park, or any similar Commercial Application.**



WARNING: This Symbol points out important safety instructions which, if not followed, could endanger the personal safety of yourself and your children and/or damage your property. You **MUST** read and follow all instructions in this manual before attempting to use this playcenter.



WARNING: Children must **NOT** use this playcenter until unit has been completely assembled and inspected by an adult to insure set has been properly installed and anchored.

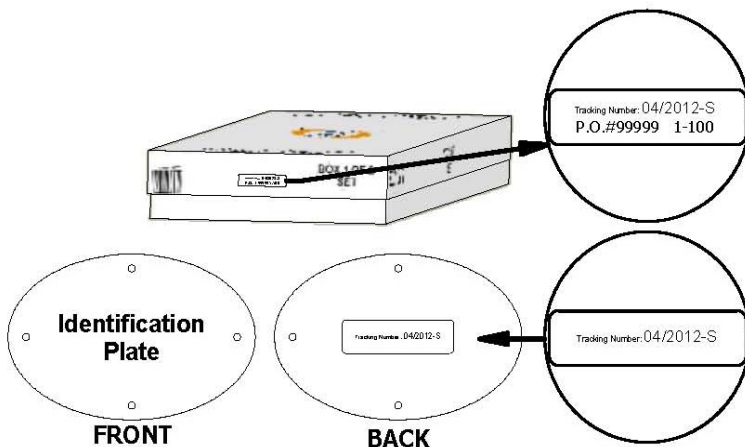
Please follow all recommendations below. **Failure to do so may result in the warranty being void and/or safety violations that could result in serious injury.** This manual contains helpful information concerning Assembly Preparation, Installation Procedure, and Required Maintenance. Always keep the safety of your children in mind as your play structure is being built and as your children play on the set. Before your children play on the set please review the Operation Instructions with them to help ensure their safety.

PLEASE RETAIN THESE INSTRUCTIONS FOR FUTURE REFERENCE. KEEP THEM IN A SAFE PLACE WHERE YOU CAN REFER TO THEM AS NEEDED. IN ORDER TO PROVIDE YOU WITH THE MOST EFFICIENT SERVICE, IT IS REQUIRED THAT YOU PROVIDE US WITH THE PART NUMBERS WHEN ORDERING PARTS.

For Your Records:

Please take time and fill out the information below. This information will be needed for warranty issues.

Where Purchased: _____
Date of Purchase: _____
Installation Date: _____
Installed by: _____
Tracking Number: _____



Tracking Number Reference Label

Tracking ID number on the carton and back of the ID plate are included for tracking purposes associated with warranty claims.

Owner's Manual Play Set

Please refer to the Assembly section of the Assembly Manual for Maximum Fall Height.

Positioning Your Playcenter

1. The Playcenter is designed to be installed on a level surface **by an Adult with an Adult helper**. Place in a flat area of your yard to minimize ground preparation.
2. Choose a level location for the equipment. This can reduce the likelihood of the play set tipping over and loose-fill surfacing material washing away during heavy rains.
3. Place the equipment not less than **6 ft (1.8 m)** from any structure or obstruction such as a fence, garage, house, overhanging branches, laundry lines, or electrical wires.
4. Provide enough room so that the children can use the equipment safely. For example, for structures with multiple play activities, a slide should not exit in front of a swing.
5. It is a good idea to place your Playcenter in an area that is convenient for adults to watch children at play.
6. Create a site free of obstacles that could cause injuries – such as low overhanging tree branches, overhead wires, tree stumps and/or roots, large rocks, bricks and concrete. Additional suggestions in the Suggested Playground Surfacing Section.
7. Do not build your playset on top of surfacing material.
8. Locate bare metal platforms and slides out of direct sunlight to reduce the likelihood of serious burns. A slide that faces north will receive the least direct sunlight.
9. Separate active and quiet activities from each other. For example, locate sandboxes away from swings or use a guardrail or barrier to separate the sandbox from the movement of the swings.

Suggested Playground Surfacing

- ❑ Do not install home playground equipment over concrete, asphalt, packed earth, grass, carpet, or any other hard surface. A fall onto a hard surface can result in serious injury to the equipment user.
- ❑ Do not install loose fill surfacing over hard surfaces such as concrete or asphalt.
- ❑ Shredded bark mulch, wood chips, fine sand and fine gravel, are added as shock absorbing materials after assembly. If used properly these materials can absorb some of the impact of a child's fall.
- ❑ All surface material should extend a minimum of 6 feet in all directions around the play area.
- ❑ Do not apply playground surfacing until after the unit is completely constructed. Playset should not be built on top of surfacing.
- ❑ Use containment, such as digging out around the perimeter and/or lining the perimeter with landscape edging.
- ❑ Installations of rubber tiles or poured-in-place surfaces (other than loose-fill materials) generally require a professional and are not “do-it-yourself” projects.
- ❑ Shall use Playground Surfacing Materials (other than loose-fill material) which comply with the safety standard **ASTM F1292** Standard Specification of Impact Attenuation of Surfacing Materials within the Use Zone of Playground Equipment.

Owner's Manual Play Set

The following chart explains the fall height in feet from which a life threatening head injury would not be expected

Critical Heights in feet (m) of Tested Materials

Material	Uncompressed Depth			Compressed Depth
	6" (152mm)	9" (228mm)	12" (304mm)	to 9" (228mm)
Wood Chips	7' (2.13m)	10' (3.05m)	11' (3.35m)	10' (3.05m)
Double-Shredded bark mulch	6' (1.83m)	10' (3.05m)	11' (3.35m)	7' (2.13m)
Engineered Wood Fibers	6' (1.83m)	7' (2.13m)	>12' (3.66m)	6' (1.83m)
Fine Sand	5' (1.52m)	5' (1.52m)	9' (2.74m)	5' (1.52m)
Coarse Sand	5' (1.52m)	5' (1.52m)	6' (1.83m)	4' (1.22m)
Fine Gravel	5' (1.52m)	7' (2.13m)	10' (3.05m)	6' (1.83m)
Medium Gravel	5' (1.52m)	5' (1.52m)	6' (1.83m)	5' (1.52m)
Shredded Tires*	10-12' (3.0-3.6m)	N/A	N/A	N/A

*This data is from tests conducted by independent testing laboratories on a 6-inch depth of uncompressed shredded tire samples produced by four manufacturers. The tests reported critical heights, which varied from 10 feet to greater than 12 feet. It is recommended that persons seeking to install shredded tires as a protective surface request test data from the supplier showing the critical height of the material when it was tested in accordance with ASTM F1292.

Operating Instructions:



NOTE: Your children's safety is our #1 concern. Observing the following statements and warnings reduces the likelihood of serious or fatal injury. Please review these safety rules regularly with your children.

1. This Playcenter is designed for specific number of occupants whose combined weight **should not exceed** a designated weight on the elevated floor or the swing area, the total Unit capacity is outlined in the Basic Setup Dimensions section of instruction manual. The maximum fall height and recommended play area is also available in the Basic Setup Dimensions section of the manual for the specific unit.
2. On-site adult supervision is **required**.
3. Instruct children **not** to walk close to, in front of, behind, or between moving swings or other moving playground equipment.
4. Instruct children to sit in and **never** stand on swings
5. Instruct children **not** to twist the chains and ropes and not to loop them over the top support bar, since this may reduce the strength of the chain or rope.
6. Instruct children **not** to jump from swings or other playground equipment in motion.
7. Instruct children to **not to push** empty seats. The seat may hit them and cause serious injury.
8. Instruct and teach children to sit in the center of the swings with their full weight on the seats.
9. Instruct children **not** to use the equipment in a manner other than intended.
10. Instruct children to **always** go down slides feet first. Never slide head first.
11. Instruct children to **look** before they slide to make sure no one is at the bottom.
12. Instruct children to **never** run up a slide, as this increases their chances of falling.
13. The parents should **dress children appropriately**. (Examples would include the use of well-fitting shoes and the avoidance of ponchos, scarfs, and other loose-fitting clothing that is potentially hazardous while using equipment).
14. Instruct children **not** to climb when the equipment is wet.
15. Instruct children to **never** jump from a fort deck. They should always use the ladder, ramp or slide.
16. Instruct children to **never** crawl or walk across the top of monkey bars.
17. Instruct children to **never** crawl on top of a fort roof.

Owner's Manual Play Set

18. Verify that any suspended climbing ropes, chain, or cable are secured at both ends and that they cannot be looped back on it.
19. Instruct children **not** to attach items to the playground equipment that are not specifically designed for use with the equipment, such as, but not limited to, jump ropes, clothesline, pet leashes, cables and chain as they may cause a strangulation hazard.
20. Instruct children to **never** wrap their legs around swing chain.
21. Instruct children to **never** slide down the swing chain.
22. Instruct children to remove their bike or other sports helmet before playing on playground equipment.

Maintenance Instructions:

At the beginning of each play season:

- Tighten all hardware.
- Lubricate all metallic moving parts per manufacturer's instructions.
- Check all protective coverings on bolts, pipes, edges, and corners. Replace if they are loose, cracked, or missing.
- Check all moving parts including swing seats, ropes, cables, and chains for wear, rust, or other deterioration. Replace as needed.
- Check metal parts for rust. If found, sand and repaint using a non Lead-based paint meeting the requirements of **16 CFR 1303**.
- Check all wood members for deterioration and splinters. Sand down splinters and replace deteriorating wood members.
- Reinstall any plastic parts, such as swing seats or any other items that were removed for the cold season.
- Rake and check depth of loose fill protective surfacing materials to prevent compaction and to maintain appropriate depth. Replace as necessary.

Twice a month during play season:

- Tighten all hardware.
- Check all protective coverings on bolts, pipes, edges, and corners. Replace if they are loose, cracked, or missing.
- Rake and check depth of loose fill protective surfacing materials to prevent compaction and to maintain appropriate depth. Replace as necessary.
- Once a month during play season.
- Lubricate all metallic moving parts per manufacturer's instructions.
- Check all moving parts including swing seats, ropes, cables, and chains for wear, rust, or other deterioration. Replace as needed.

At the end of each play season or when the temperature drops below 32° F:

- Remove plastic swing seats and other items as specified by the manufacturer and take indoors or do not use.
- Rake and check depth of loose fill protective surfacing materials to prevent compaction and to maintain appropriate depth. Replace as necessary.

Owner's Manual Play Set

Additional Maintenance:

- *Check the swing beam and hardware every two weeks due to wood expansion and contraction. It is particularly important that this procedure be followed at the beginning of each season.*
- *Inspect wood parts monthly. The grain of the wood sometimes will lift in the dry season causing splinters to appear. Light sand may be necessary to maintain a safe playing environment. Treat your playset with stain regularly, to help prevent severe checking/splitting and other weather damage.*
- *A waterbourne transparent stain has been applied to your playset. This is done for color only. Once or twice a year, depending on your climate conditions, you must apply some type of protection (sealant) to the wood of your unit. Prior to the application of sealant, lightly sand any "rough" spots on your playset. **Please not this is a requirement of your warranty.***
- *Assembling and maintaining the playset on a level location is very important. As your children play, your playset will slowly dig its way into the soil, and it is very important that it settles evenly. Make sure the playset is level and true one each year or at the beginning of each play season.*

Disposal Instructions:

When the Playcenter use is no longer desired, it should be disassembled and disposed of in such a way that no unreasonable hazards will exist at the time the unit is discarded.

Third Party Assembly:

Customer may, in their sole discretion, elect to use a third party person or service to assemble this product. Backyard Discovery assumes no responsibility or liability for any charge incurred by the Customer for any assembly services'.

Please see our warranty for more information about damaged and missing part replacement coverage. Backyard Discovery will not reimburse Customer for the price of parts purchased.

APPENDIX A

Information on Playground Surfacing Materials:

The following information is from the **United States Consumer Product Safety Commission's Information Sheet for playground surfacing material**; also see the following website for additional information: www.cpsc.gov/cpscpub/pubs/323.html.

X3. SECTION 4 OF THE CONSUMER PRODUCT SAFETY COMMISSION'S OUTDOOR HOME PLAYGROUND SAFETY HANDBOOK⁹

X3.1 *Select Protective Surfacing*—One of the most important things you can do to reduce the likelihood of serious head injuries is to install shock-absorbing protective surfacing under and around your play equipment. The protective surfacing should be applied to a depth that is suitable for the equipment height in accordance with ASTM Specification **F 1292**. There are different types of surfacing to choose from; whichever product you select, follow these guidelines:

X3.1.1 *Loose-Fill Materials*:

X3.1.1.1 Maintain a minimum depth of 9 inches of loose-fill materials such as wood mulch/chips, engineered wood fiber (EWF), or shredded/recycled rubber mulch for equipment up to 8 feet high; and 9 inches of sand or pea gravel for equipment up to 5 feet high. NOTE: An initial fill level of 12 inches will compress to about a 9-inch depth of surfacing overtime. The surfacing will also compact, displace, and settle, and should be periodically refilled to maintain at least a 9-inch depth.

X3.1.2 Use a minimum of 6 inches of protective surfacing for play equipment less than 4 feet in height. If maintained properly, this should be adequate. (At depths less than 6 inches, the protective material is too easily displaced or compacted.) NOTE: Do not install home playground equipment over concrete, asphalt, or any other hard surface. A fall onto a hard surface can result in serious injury to the equipment user. Grass and dirt are not considered protective surfacing because wear and environmental factors can reduce their shock absorbing effectiveness. Carpeting and thin mats are generally not adequate protective surfacing. Ground level equipment such as a sandbox, activity wall, playhouse or other equipment that has no elevated play surface – does not need any protective surfacing.

X3.1.3 Use containment, such as digging out around the perimeter and/or lining the perimeter with landscape edging. Don't forget to account for water drainage.

X3.1.3.1 Check and maintain the depth of the loose-fill surfacing material. To maintain the right amount of loose-fill materials, mark the correct level on play equipment support posts. That way you can easily see when to replenish and/or redistribute the surfacing.

X3.1.3.2 **Do not** install loose-fill surfacing over hard surfaces such as concrete or asphalt.

X3.1.4 *Poured-In-Place Surfaces or Pre-Manufactured Rubber Tiles* — You may be interested in using surfacing other than loose-fill materials – like rubber tiles or poured-in-place surfaces.

X3.1.4.1 Installations of these surfaces generally require a professional and are not “do-it-yourself” projects.

X3.1.4.2 Review surface specification before purchasing this type of surfacing. Ask the installer/manufacturer for a report showing that the product has been tested to the following safety standard: ASTM **F 1292** Standard Specification for Impact Attenuation of Surfacing Materials within the Use Zone of Playground Equipment. This report should show the specific height for which the surface is intended to protect against serious head injury. This height should be equal to or greater than the fall height – vertical distance between a designated play surface (elevated surface for standing, sitting, or climbing) and the protective surfacing below – of your play equipment.

X3.1.4.3 Check the protective surfacing frequently for wear.

X3.1.5 *Placement* — Proper placement and maintenance of protective surfacing is essential. Be sure to:

X3.1.5.1 Extend surfacing at least 6 feet from the equipment in all directions.

X3.1.5.2 For to-fro swings, extend protective surfacing in front of and behind the swing to a distance equal to twice the height of the top bar from which the swing is suspended.

⁹This information has been extracted from the CPSC publications “Playground Surfacing — Technical Information Guide” and “Handbook for Public Playground Safety.” Copies of these reports can be obtained by sending a postcard to the: Office of Public Affairs, U.S. Consumer Product Safety Commission, Washington, D.C., 20207 or call the toll-free hotline: 1-800-638-2772.

Owner's Manual Play Set

The American Society for Testing and Materials takes no position respecting the validity of any parent right asserted in connection with any item mentioned in this standard. Users of this standard are expressly advised that determination of the validity of any such parent rights, and the risk of infringement of such rights, are entirely their own responsibility.

The standard is subject to revision at any time by the responsible technical committee and must be reviewed every five years and if not revised, either approved or withdrawn. Your comments are invited either for revision of this standard or for additional standards and should be addressed to ASTM Headquarters. Your comments will receive careful consideration at a meeting of the responsible technical committee, which you may attend. If you feel that your comments have not received a fair hearing you should make your views known to the ASTM Committee on Standards, 100 Barr Harbor Drive, West Conshohocken, PA 19428.

www.swingsetonline.com/support.aspx and follow the prompts to order them. Next, read the assembly manual and get the tools ready for the job as recommended in the manual. If the assembly manual is lost or misplaced a new one can be printed from Backyard Discovery's website: www.swingsetonline.com.

9. The playset seems to rock or sway too much. What's wrong?

Rocking is caused by uneven ground or obstructions such as rocks, roots, etc. under the ground rails. These should be removed and the ground underneath re-leveled to prevent rocking. Also ensure the playset is securely staked to the ground using the stakes provided.

10. The 2"x4" boards do not measure 2"x 4". Why not?

In the U.S. it is common practice to describe lumber dimensions using the rough cut sizes from the sawmill and not the finished dimensions. Retailers, home stores, etc. all use this accepted practice for describing lumber dimensions. However, Backyard Discovery playsets are designed and constructed using the actual dimensions so everything fits properly and remains so during the life of the playset.

11. The end beam is not straight up and down. Why not?

This is normal. Backyard Discovery designs playsets this way to ensure the strongest structure possible. The slight angle adds strength and reduces rocking and twisting.

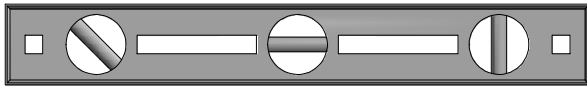
12. The S-hooks for the swings won't close. What is wrong?

Backyard Discovery recommends placing them on a hard surface such as concrete (don't do this on anything that will dent such as metal or finished wood or glass which will break!). It will take quite a few strokes, but the hooks will close.

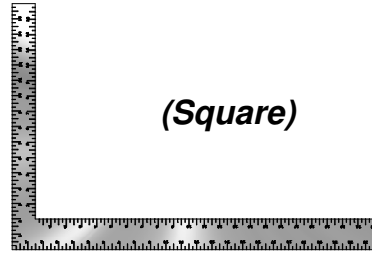
For more information and frequently asked questions, please refer to our website at www.swingsetonline.com.

Tools Required for Installation:

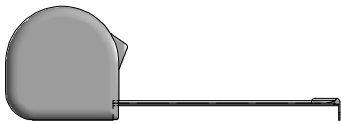
(These are the tools that are generally required for assembly of our outdoor products. These tools are not included with the outdoor product purchase.)



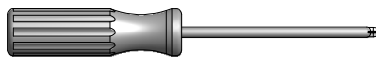
(Level 24")



(Square)



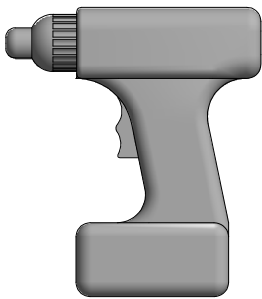
(Tape Measure)



(Phillips Screw Driver)



(Claw Hammer)



(Cordless Drill or Electric Drill)



(1/8" & 3/8" Drill Bits)



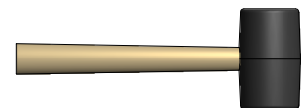
(Drill Attachments: Socket Driver)



(Ladder)



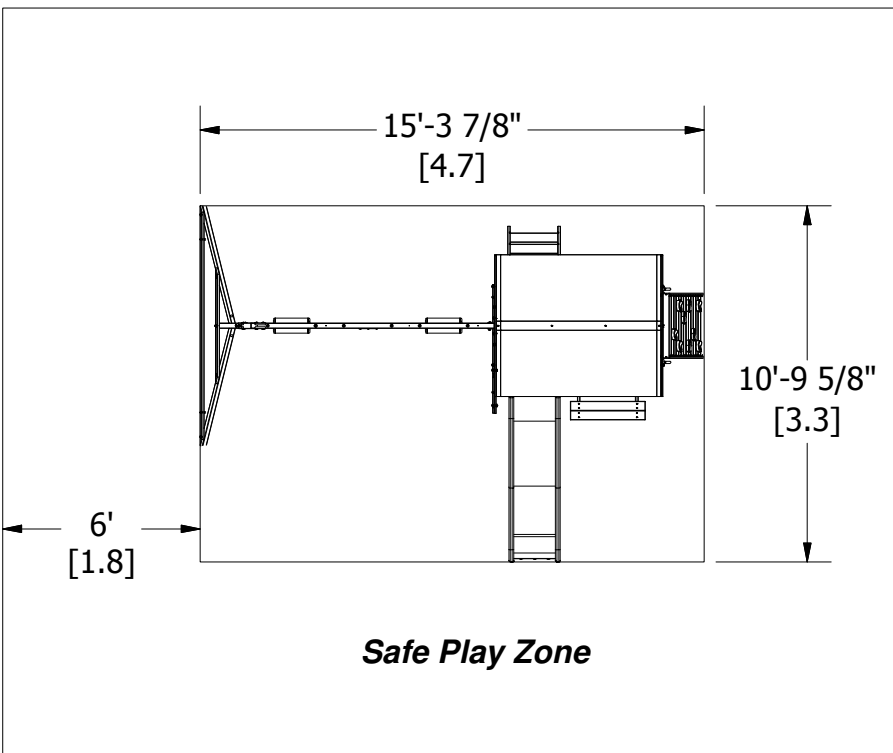
(An Adult w/ an Adult Helper)



(Rubber Mallet - Optional)

Basic Setup Dimensions

Place the set on level ground, not less than 6 ft [2 m] from any structure or obstruction such as a fence, garage, house, overhanging branches, laundry lines, or electrical wires.



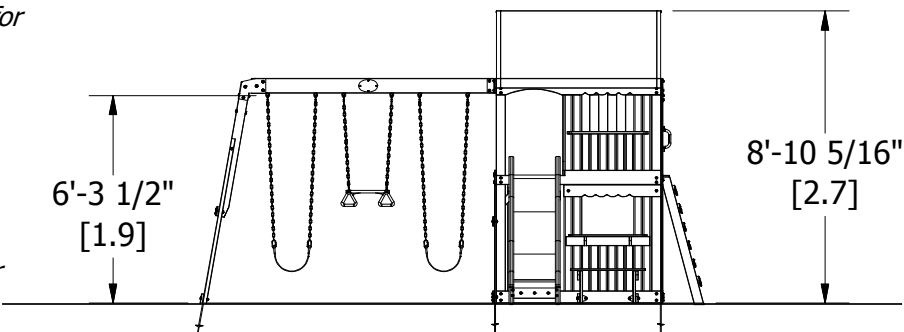
General Information:

Your set has been designed and engineered for children only and for residential use only.

A maximum of 150 lbs. per child is recommended for play activities designed for individual use.

A maximum of 120 lbs. per child is recommended for play activities designed for multiple child use.

A maximum of 9 children is recommended for this swing set.



Important Assembly Notes

Safe play height: 14'-11 1/2" [2.7 m]
Maximum fall height: 6'-4 1/2" [1.9 m]

- 1) While assembling unit, take time before and after each phase to make sure fort is level. If fort is not level, assembly will be difficult and improper assembly may result. Extra care must be taken to insure the fort is square.
- 2) Tighten bolts securely, tighten nuts on bolts flush to the tube or member, and place caps over exposed bolts snug to the nut.
- 3) Pay close attention to the ITEMS NEEDED FOR EACH PHASE. They can be a valuable aid when sorting your wood and hardware. Assembly will be made easier if items are sorted by phase.
- 4) Pay close attention to make sure you are using the correct hardware in the correct phases. Using incorrect hardware may result in improper assembly.
- 5) Whenever a T-nut is used, follow these directions. Place T-nut in pre-drilled hole. Tap in with hammer. Place bolt with washers in the opposite side. Hand tighten to make sure the bolt is in the T-nut. DO NOT over tighten.
- 6) Read the steps of each phase thoroughly. The written steps may include important information not shown in the illustrations.

Parts Identification

Wood Components

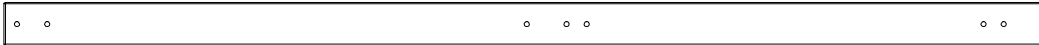
(NOT TO SCALE)



- (1) **E1 - UPRIGHT - W101261**
1 3/8"x3 3/8"x81 3/4" (36x86x2076)



- (2) **E2 - UPRIGHT - W101260**
1 3/8"x3 3/8"x81 3/4" (36x86x2076)



- (1) **E3 - UPRIGHT - W101256**
1 3/8"x3 3/8"x81 3/4" (36x86x2076)



- (2) **E77 - ANGLE BRACE - W100991**
1 3/8"x3 3/8"x74 3/8" (36x86x1890)



- (1) **E82 - LEFT RAIL - W101127**
1 3/8"x3 3/8"x48 3/4" (36x86x1239)



- (1) **E83 - RIGHT RAIL - W101128**
1 3/8"x3 3/8"x48 3/4" (36x86x1239)



- (6) **F71 - STANDARD ANGLE BRACE - W100689**
1 3/8"x2 3/8"x13" (36x60x330)



- (1) **H1 - SERVING SHELF SUPPORT - W101604**
1"x3 3/8"x30 3/4" (24x86x780)



- (2) **H3 - SERVING BOARD SUPPORT - W101606**
1"x3 3/8"x3 3/8" (24x86x86)



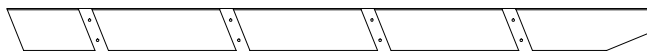
- (2) **H4 - BENCH SEAT SUPPORT - W104040**
1"x3 3/8"x6 1/2" (24x86x166)



- (2) **H5 - BENCH UPRIGHT - W104041**
1"x3 3/8"x11 3/4" (24x86x300)



- (2) **H6 - BENCH GROUND BOARD - W104042**
1"x3 3/8"x18 1/8" (24x86x460)



- (1) **H74 - LEFT UPRIGHT - W100608**
1"x3 3/8"x50 3/4" (24x86x1290)



- (1) **H75 - RIGHT UPRIGHT - W100609**
1"x3 3/8"x50 3/4" (24x86x1290)

Parts Identification

Wood Components

(NOT TO SCALE)



- (4) **H76 - LADDER RUNG - W100611**
1"x3 3/8"x18 1/8" (24x86x460)



- (1) **H79 - END SUPPORT - W100992**
1"x3 1/2"x42" (24x86x1072)



- (1) **H80 - GROUND BOARD - W100990**
1"x3 3/8"x87 3/8" (24x86x2218)



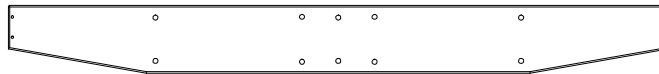
- (1) **J1 - WINDOW LEDGE - W100709**
1"x2 3/8"x29 1/2" (24x60x750)



- (4) **J2 - END FLOOR CLEAT - W100710**
1"x2 3/8"x3 3/8" (24x60x86)



- (1) **J3 - FLOOR JOIST - W100984**
1"x2 3/8"x60 1/8" (24x60x1528)



- (1) **K1 - ROOF SWING BEAM SUPPORT - W100682**
5/8"x5 1/4"x51 5/8" (16x134x1310)



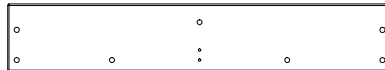
- (1) **K2 - ROOF SUPPORT - W100683**
5/8"x5 1/4"x51 5/8" (16x134x1310)



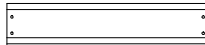
- (1) **K3 - SERVING BOARD - W101605**
5/8"x5 1/4"x28 3/4" (16x134x729)



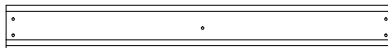
- (1) **K4 - FLOOR RAIL - W103700**
5/8"x5 1/4"x60 1/8" (16x134x1528)



- (1) **K5 - FLOOR RAIL - W103705**
5/8"x5 1/4"x30" (16x134x762)



- (6) **K9-1 - WALL BOARD - W100713**
3/8"x3 3/8"x15 3/4" (11x86x400)

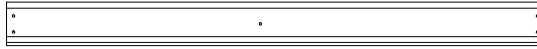


- (4) **K9-2 - WALL BOARD - W100712**
3/8"x3 3/8"x30 1/4" (11x86x768)

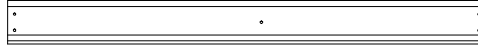
Parts Identification

Wood Components

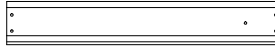
(NOT TO SCALE)



- (2) **K9-3 - WALL BOARD - W101257**
3/8"x3 3/8"x42" (11x86x1068)



- (2) **K9-4 - WALL BOARD - W101239**
3/8"x3 3/8"x37 3/8" (11x86x950)



- (6) **K9-5 - WALL BOARD - W101259**
3/8"x3 3/8"x21 3/8" (11x86x544)



- (2) **L2 - GROUND BOARD - W100684**
5/8"x4 3/8"x60 1/8" (16x112x1528)



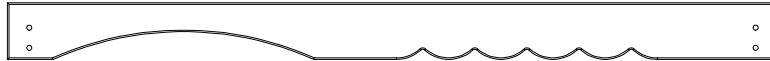
- (1) **L3 - GROUND BOARD - W101602**
5/8"x4 3/8"x46 7/8" (16x112x1191)



- (1) **L5 - GROUND BOARD - W100686**
5/8"x4 3/8"x30" (16x112x762)



- (1) **L6 - ARCHED RAIL - W100694**
5/8"x4 3/8"x60 1/8" (16x112x1528)



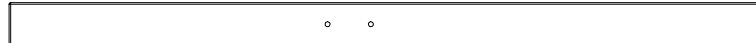
- (1) **L7 - ARCHED SCULPTURED RAIL - W100695**
5/8"x4 3/8"x60 1/8" (16x112x1528)



- (1) **L8 - SCULPTURED RAIL - W101240**
5/8"x4 3/8"x35 1/2" (16x112x902)



- (2) **L9 - END FLOOR BOARD - W102863**
5/8"x4 3/8"x29 7/8" (16x112x760)



- (1) **M1 - TENT SUPPORT - W101601**
5/8"x3 3/8"x59 1/4" (16x86x1504)



- (2) **M2 - BENCH SEAT - W104044**
5/8"x3 3/8"x27 3/8" (16x86x694)



- (2) **M3 - TARP SUPPORT - W100692**
5/8"x3 3/8"x60 1/8" (16x86x1528)



- (1) **M4 - TARP TOP SUPPORT - W100693**
5/8"x3 3/8"x60 1/8" (16x86x1528)

Parts Identification

Wood Components

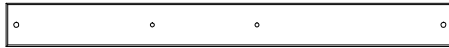
(NOT TO SCALE)



- (2) **M5 - FACE BOARD - W101599**
5/8"x3 3/8"x43 1/8" (16x86x1094)



- (2) **M6 - LOWER FACE BOARD - W101598**
5/8"x3 3/8"x38 5/8" (16x86x982)



- (1) **M7 - WALL BOARD - W100708**
5/8"x3 3/8"x35 1/4" (16x86x895)



- (1) **M8 - WALL RAIL - W100700**
5/8"x3 3/8"x35 7/8" (16x86x910)



- (1) **M9 - ANGLE BRACE - W100696**
5/8"x3 3/8"x35 5/8" (16x86x904)



- (1) **M10 - SAFETY BOARD - W100701**
5/8"x3 3/8"x33 7/8" (16x86x860)



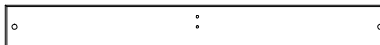
- (2) **M11 - UPPER FACE BOARD - W102866**
5/8"x3 3/8"x26 5/8" (16x86x676)



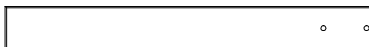
- (1) **M12 - ROCK WALL ARCH BOARD - W102862**
5/8"x3 3/8"x30" (16x86x762)



- (1) **M13 - FLOOR RAIL - W102867**
5/8"x3 3/8"x60 1/8" (16x86x1528)



- (1) **M14 - FLOOR SUPPORT BOARD - W101269**
5/8"x3 3/8"x30" (16x86x762)



- (1) **M16 - TARP SUPPORT - W101237**
5/8"x3 3/8"x29 1/8" (16x86x740)



- (4) **M17 - PICKET - W100705**
5/8"x3 3/8"x27 1/8" (16x86x690)



- (1) **M73 - REAR SUPPORT - W100610**
5/8"x3 3/8"x19 1/4" (16x86x488)

Parts Identification

Wood Components

(NOT TO SCALE)



- (1) **M77 - SLIDE BRACE - W100544**
5/8"x3 3/8"x17 1/4" (16x86x438)



- (2) **M78 - CENTER SLIDE BRACE - W100545**
5/8"x3 3/8"x17 1/4" (16x86x438)



- (8) **M81 - ROCK WALL BOARD - W101130**
5/8"x3 3/8"x22 3/8" (16x86x568)



- (3) **M82 - ROCK WALL BOARD - W4L05551**
5/8"x3 3/8"x22 3/8" (16x86x568)



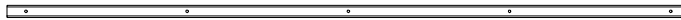
- (3) **M83 - ROCK WALL BOARD - W4L05552**
5/8"x3 3/8"x22 3/8" (16x86x568)



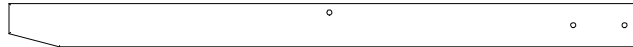
- (1) **N72 - ROCK WALL END BOARD - W101129**
5/8"x2 3/8"x23 5/8" (16x60x600)



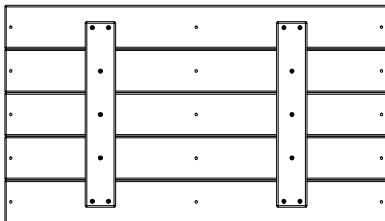
- (1) **SB74 - SWING BEAM EXTENDED - W102419**
2"x5 1/4"x89 1/2" (50x134x2274)



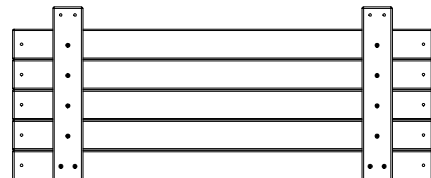
- (2) **SP1 - FLOOR SUPPORT CLEAT - W100711**
1"x1"x53 3/8" (24x24x1356)



- (1) **W71 - SWING BEAM SUPPORT - W102420**
2"x3 3/8"x49 5/8" (50x86x1260)



(3) **FP1 - FLOOR PANEL - W102861**

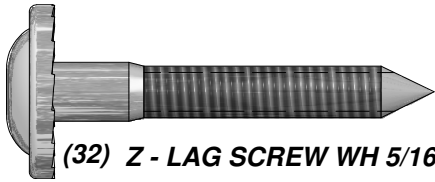


(2) **WP1 - WALL PANEL - W102865**

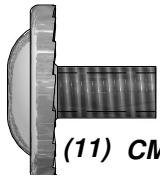
Parts Identification Hardware



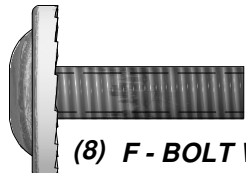
(11) AA - LAG SCREW WH 5/16x2 1/2 - H100028



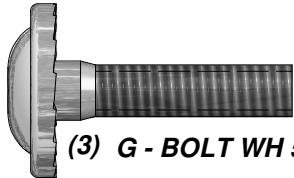
(32) Z - LAG SCREW WH 5/16x2 - H100027



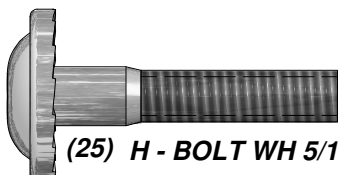
(11) CM - BOLT WH 5/16x1/2 - H100115



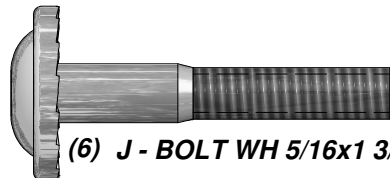
(8) F - BOLT WH 5/16x1 - H100008



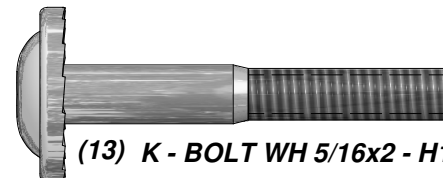
(3) G - BOLT WH 5/16x1 1/4 - H100009



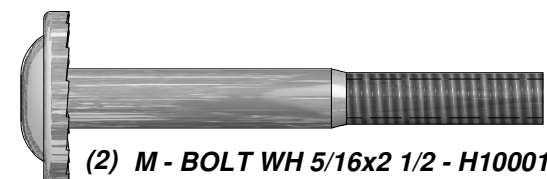
(25) H - BOLT WH 5/16x1 1/2 - H100010



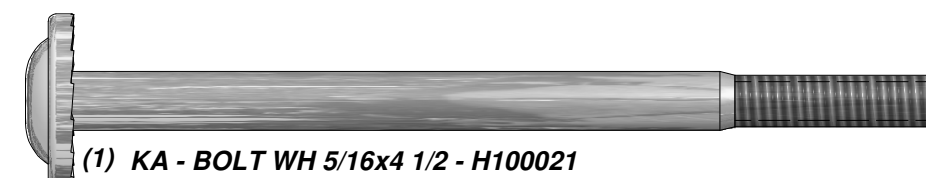
(6) J - BOLT WH 5/16x1 3/4 - H100011



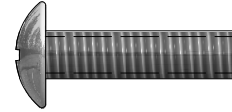
(13) K - BOLT WH 5/16x2 - H100012



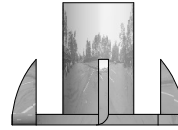
(2) M - BOLT WH 5/16x2 1/2 - H100014



(1) KA - BOLT WH 5/16x4 1/2 - H100021



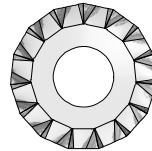
(7) AY - BOLT PTH 1/4x1 - H100061



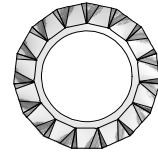
(20) BG - T-NUT 5/16 - H100074



(26) BE - T-NUT 1/4 - H100072



(48) AD - WASHER LOCK EXT 12x19 - H100031



(92) AC - WASHER LOCK EXT 8x19 - H100030



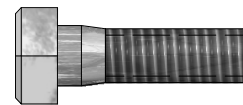
(13) B - NUT BARREL WH 5/16x5/8 - H100004



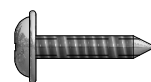
(37) D - NUT BARREL WH 5/16x7/8 - H100005



(2) AN - BOLT HEX 5/16x2-3/4 - H100047



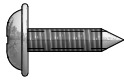
(4) AG - BOLT HEX 5/16x1 - H100040



(7) CY - SCREW PWH 8x5/8 - H100128

Parts Identification

Hardware



(13) CT - SCREW TAPPING 8x1/2 - H100123



(2) CH - SCREW TAPPING 14x1-1/2 - H100109



(60) BN - SCREW PFH 8x1 - H100085



(50) BR - SCREW PFH 8x1 1/8 - H100088



(24) BQ - SCREW PFH 8x1 1/4 - H100087



(180) BP - SCREW PFH 8x1 1/2 - H100086



(28) BS - SCREW PFH 8x1 3/4 - H100089



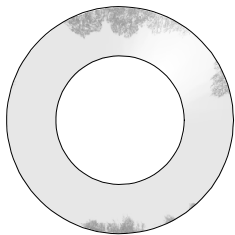
(39) CK - SCREW PFH 8x2 - H100111



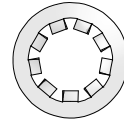
(9) BV - SCREW PFH 8x2 1/4 - H100091



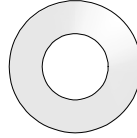
(26) BT - SCREW PFH 8x2 1/2 - H100090



(7) CB - WASHER SAFETY 17x30 - H100103

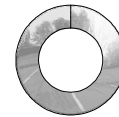


(28) CG - WASHER LOCK INT 8x15 - H100108

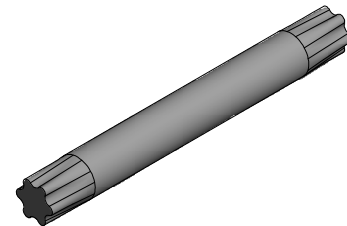


(15) CE - WASHER FLAT 9x18 - H100106

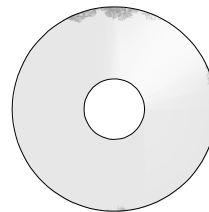
(2) - T-40 TORX WRENCH - A100041



(4) BX - WASHER SPLIT 5/16 - H100095



(2) - T-40 TORX BIT - A100042



(15) CD - WASHER FLAT 8x27 - H100105



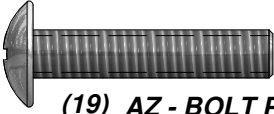
(9) CJ - NUT LOCK 5/16 - H100110



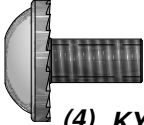
(6) BZ - SWING HANGER QUICK LINK - H100099

Parts Identification

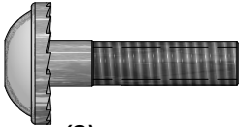
Hardware



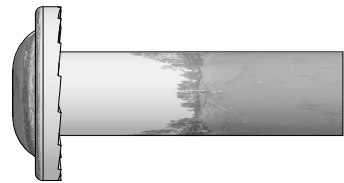
(19) AZ - BOLT PTH 1/4x1 1/4 - H100062



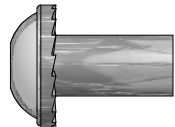
(4) KY - BOLT WH 1/4x1/2" - H100141



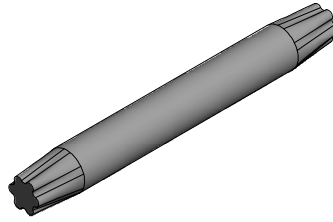
(2) KT - BOLT WH 1/4x1 - H100137



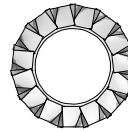
(2) C - NUT BARREL WH 5/16x1 1/2 - H100006



(7) KS - NUT BARREL WH 1/4x5/8 - H100136



(2) - T-30 TORX BIT - H100147



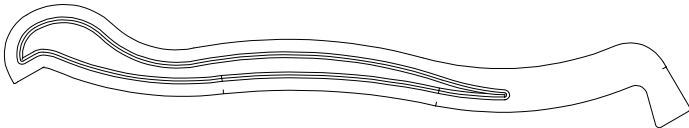
(7) KW - WASHER LOCK EXT 8x15 - H100139



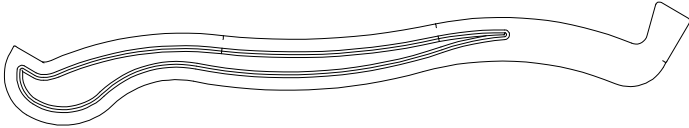
(2) - T-30 TORX WRENCH - H100114

Parts Identification

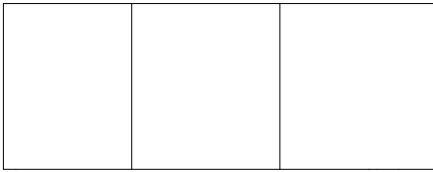
Accessories (NOT TO SCALE)



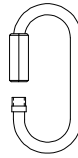
(1) EK - SLIDE RAIL 8' GREEN RIGHT - A100054



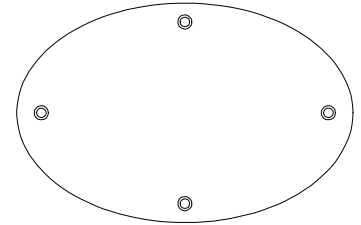
(1) EL - SLIDE RAIL 8' GREEN LEFT - A100055



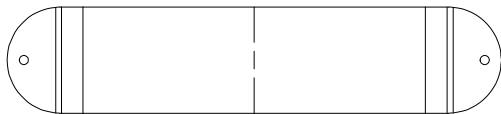
(1) EM - SLIDE BED 8' YELLOW - A100056



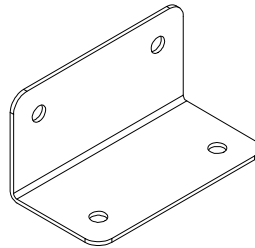
(6) FA - QUICK LINK
-A100069



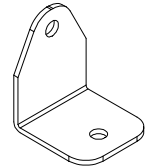
(1) HC - BYD ID TAG (LARGE) 2011 WITH
AGES
-A100164



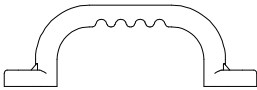
(2) FB - SWING SEAT YELLOW - A100070



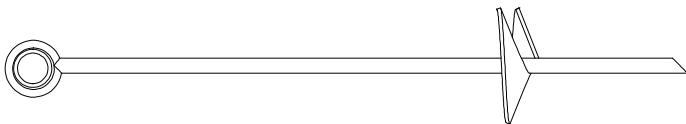
(2) GD - L BRACKET 66x66x127
-A100140



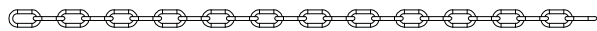
(2) EJ - L BRACKET 54x67
-A100053



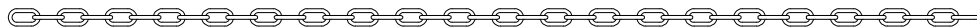
(4) EA - HAND GRIP YELLOW PLASTIC
-A100043



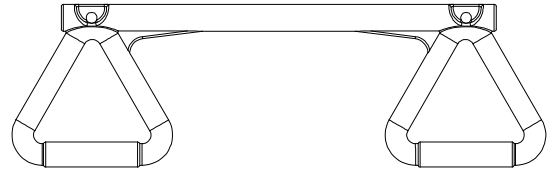
(6) KC - METAL GROUND STAKE BROWN - A100178



(2) KN - CHAIN GREEN 31" - A100177



(4) EZ - CHAIN GREEN 51.25" - A100068



(1) - TRAPEZE - A6P00034

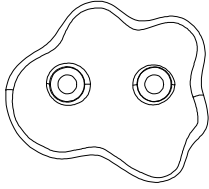


(1) HY - TARP 1522x2119 - A100062

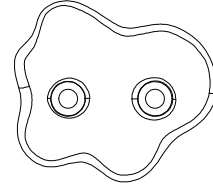
Parts Identification

Accessories

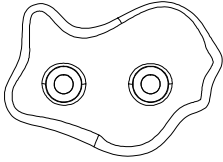
(NOT TO SCALE)



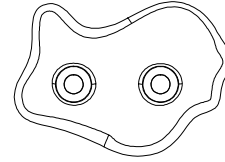
(1) - GREEN HC ROCK #1 - A6P00036



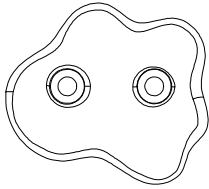
(1) - BLUE HC ROCK #2 - A6P00040



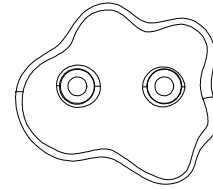
(1) - GREEN HC ROCK #2 - A6P00037



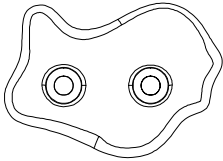
(1) - BLUE HC ROCK #1 - A6P00041



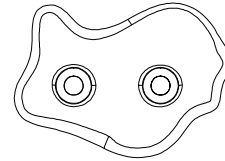
(2) - RED HC ROCK #1 - A6P00038



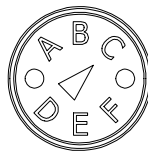
(1) - YELLOW HC ROCK #1 - A6P00042



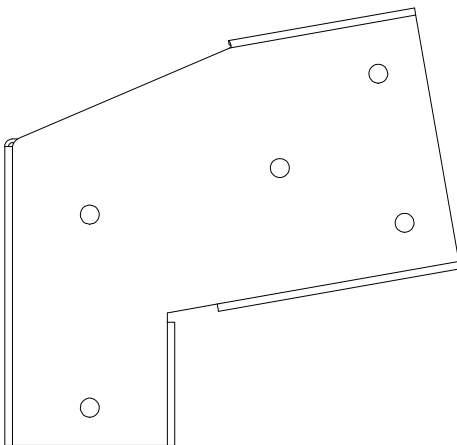
(1) - RED HC ROCK #2 - A6P00039



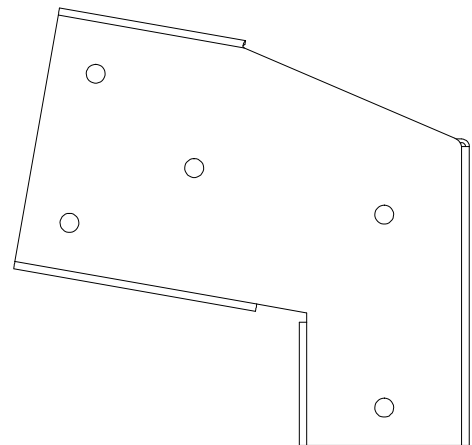
(1) - YELLOW HC ROCK #2 - A6P00043



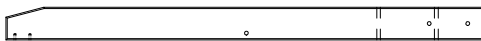
(1) SS - "C" REVISION TAG - A100316



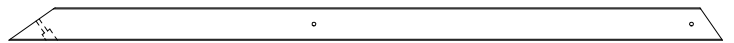
(1) TC - SWING BEAM EXTENSION BRACKET-RIGHT - A100326



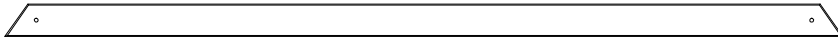
(1) TB - SWING BEAM EXTENSION BRACKET-LEFT - A100325



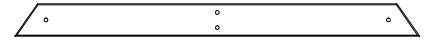
(1) **W71 - SWING BEAM SUPPORT - W102420**
2"x3 3/8"x49 5/8" (50x86x1260)



(2) **E77 - ANGLE BRACE - W100991**
1 3/8"x3 3/8"x74 3/8" (36x86x1890)



(1) **H80 - GROUND BOARD - W100990**
1"x3 3/8"x87 3/8" (24x86x2218)



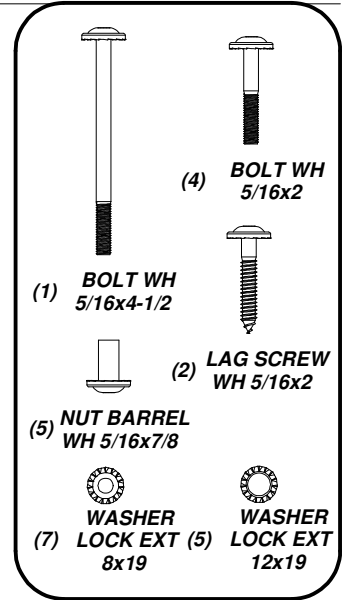
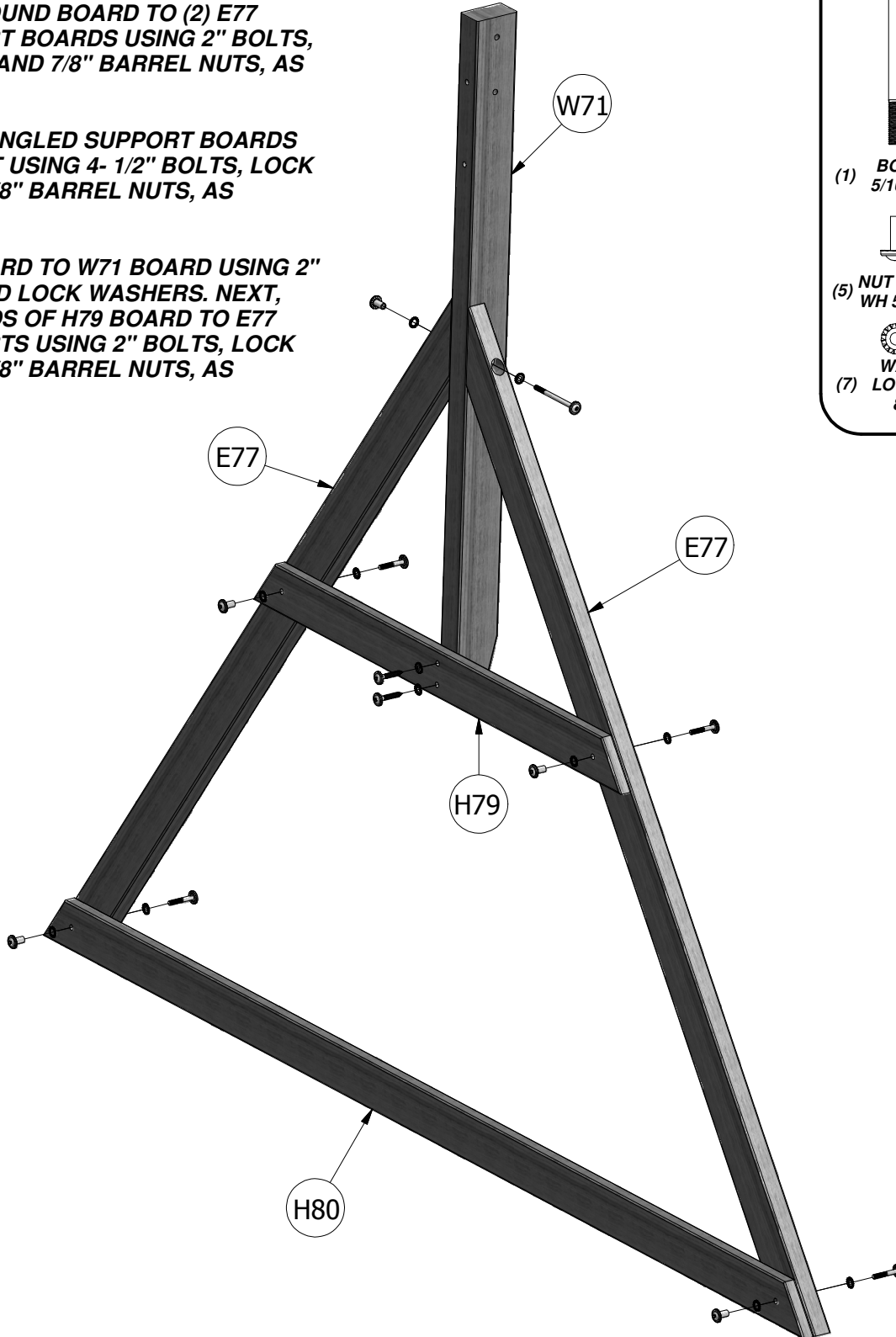
(1) **H79 - END SUPPORT - W100992**
1"x3 1/2"x42" (24x86x1072)

STEP 2

ATTACH H80 GROUND BOARD TO (2) E77 ANGLED SUPPORT BOARDS USING 2" BOLTS, LOCK WASHERS AND 7/8" BARREL NUTS, AS SHOWN.

ATTACH (2) E77 ANGLED SUPPORT BOARDS TO W71 SUPPORT USING 4- 1/2" BOLTS, LOCK WASHERS AND 7/8" BARREL NUTS, AS SHOWN.

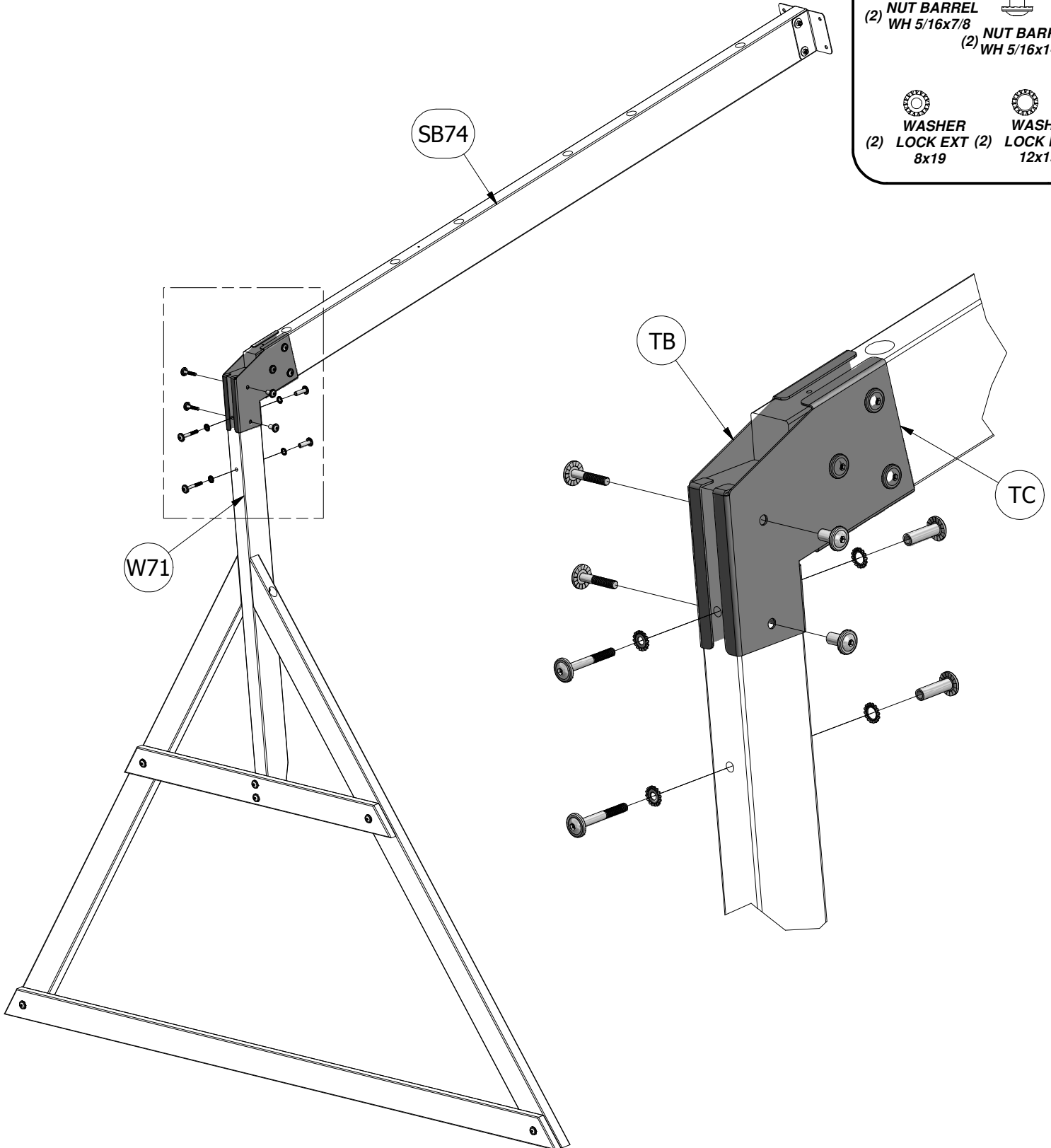
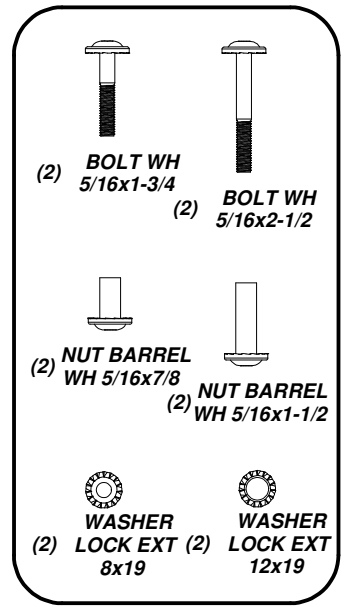
ATTACH H79 BOARD TO W71 BOARD USING 2" LAG SCREWS AND LOCK WASHERS. NEXT, SECURE THE ENDS OF H79 BOARD TO E77 ANGLED SUPPORTS USING 2" BOLTS, LOCK WASHERS AND 7/8" BARREL NUTS, AS SHOWN.



STEP 3

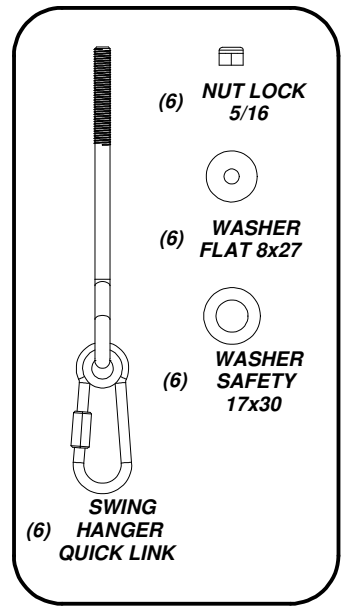
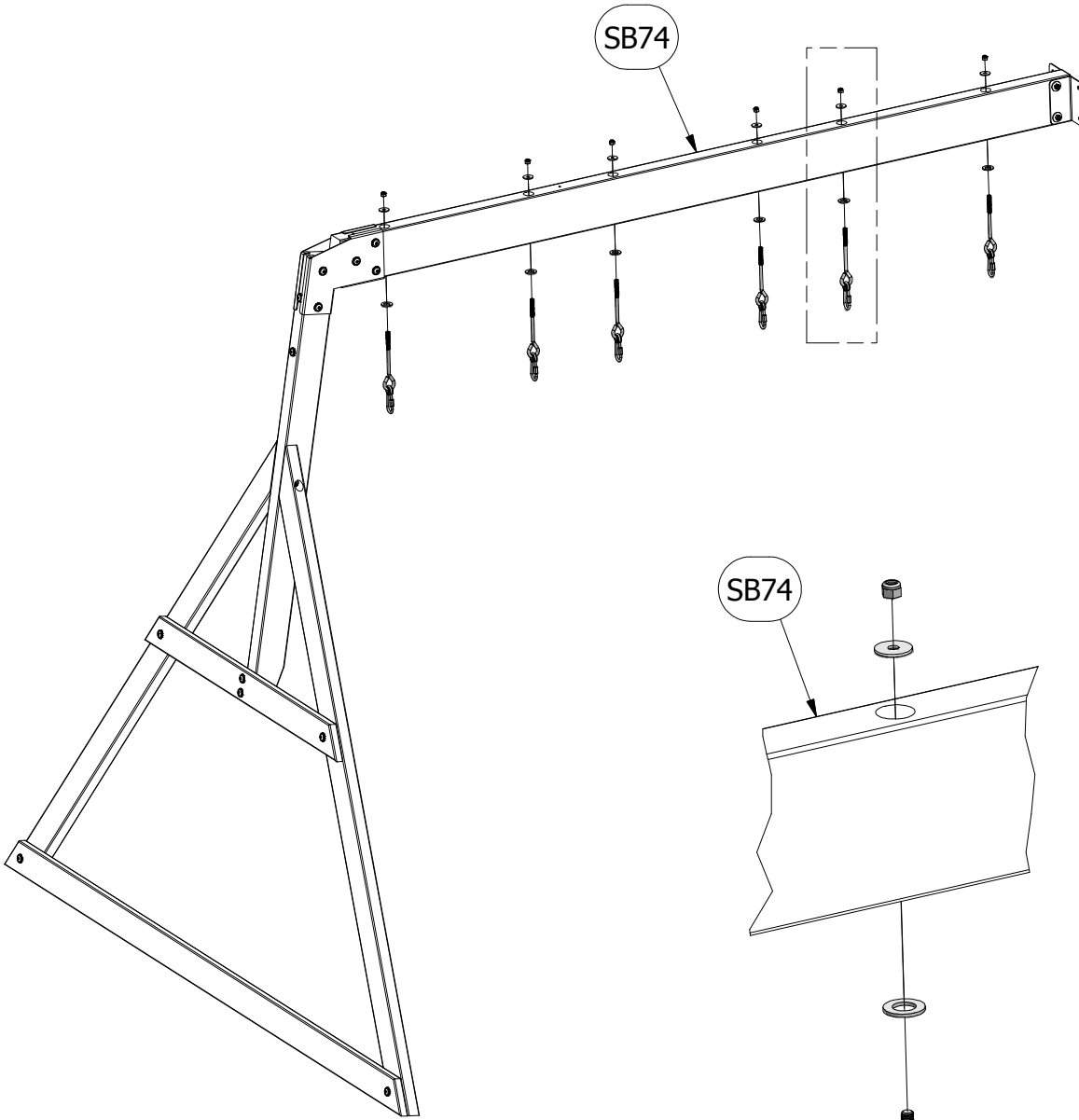
INSERT W71 BOARD INTO TB AND TC BRACKET OPENING AND SECURE USING 1-3/4" BOLTS AND 7/8" BARREL NUTS, AS SHOWN.

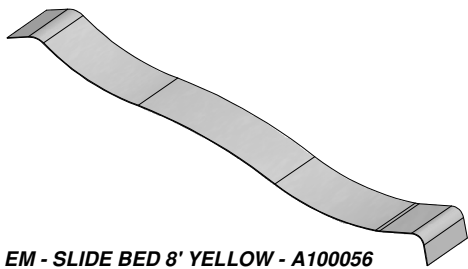
INSERT 2-1/2" BOLTS, LOCK WASHERS AND 1-1/2" BARREL NUTS INTO THE EDGE OF W71 BOARD, AS SHOWN.



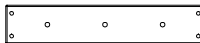
STEP 4

INSERT (6) SWING HANGER QUICK LINK INTO SB74 SWING BEAM USING SAFETY WASHERS, FLAT WASHERS AND 5/16" LOCK NUTS, AS SHOWN.



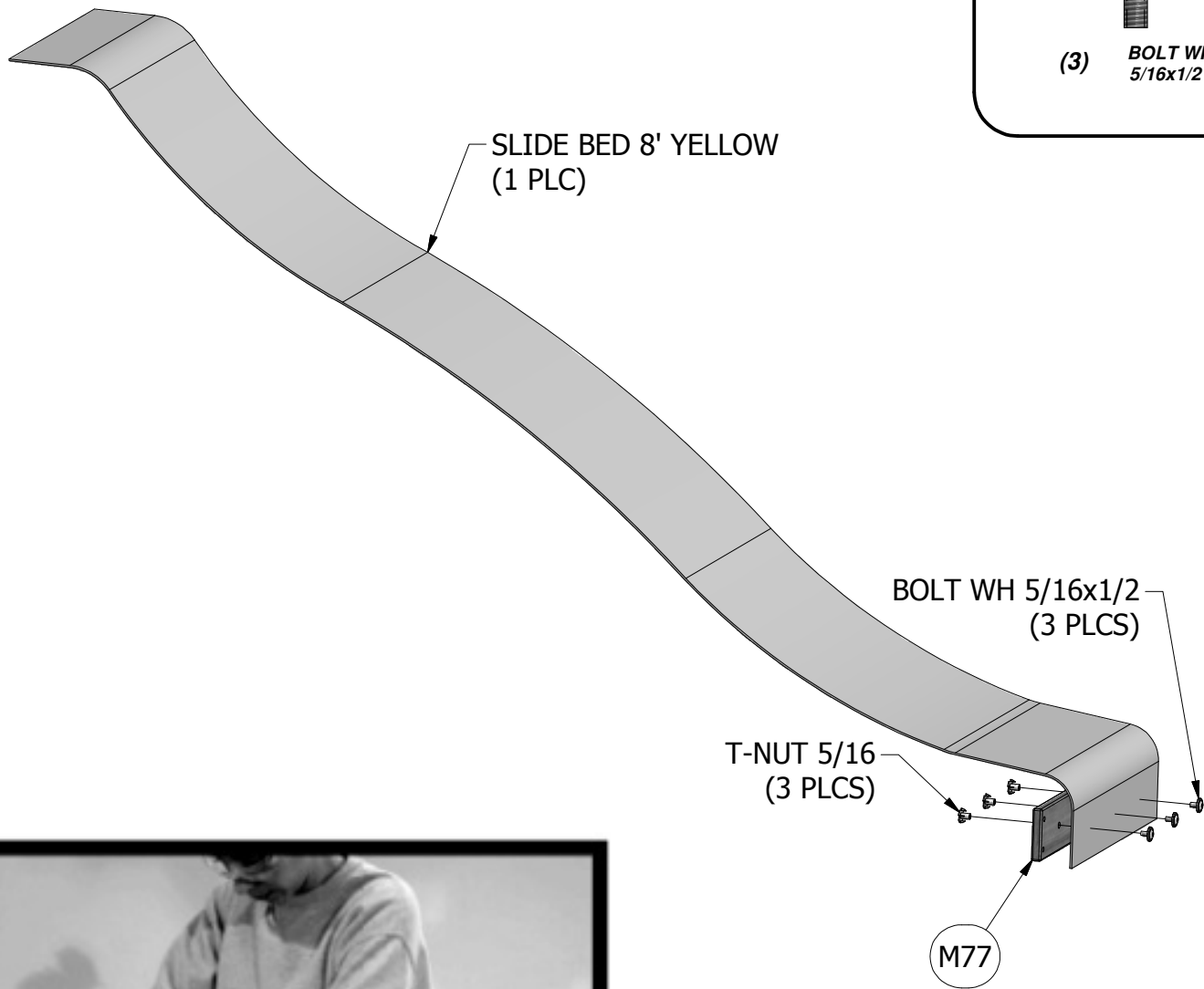
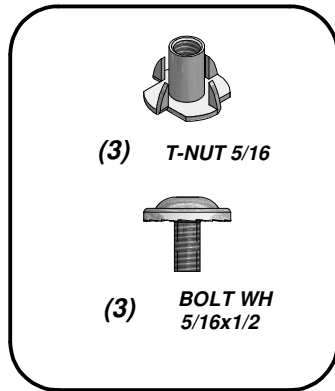


(1) EM - SLIDE BED 8' YELLOW - A100056



(1) M77 - SLIDE BRACE - W100544
5/8"x3 3/8"x17 1/4" (16x86x438)

SLIDE ASSEMBLY STEP 1



USE 'M77' SLIDE BRACE AS A TEMPLATE FOR DRILLING BOTTOM HOLE PATTERN IN SLIDE BED. BE SURE TO PLACE SLIDE BRACE UP 1/4" FROM BOTTOM EDGE OF SLIDE BED BEFORE MARKING HOLE PATTERN.

TIP: PREBENDING THE ENDS WILL EASE ASSEMBLY.



(1) EK - SLIDE RAIL 8' GREEN RIGHT - A100054

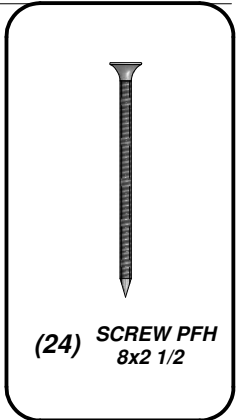
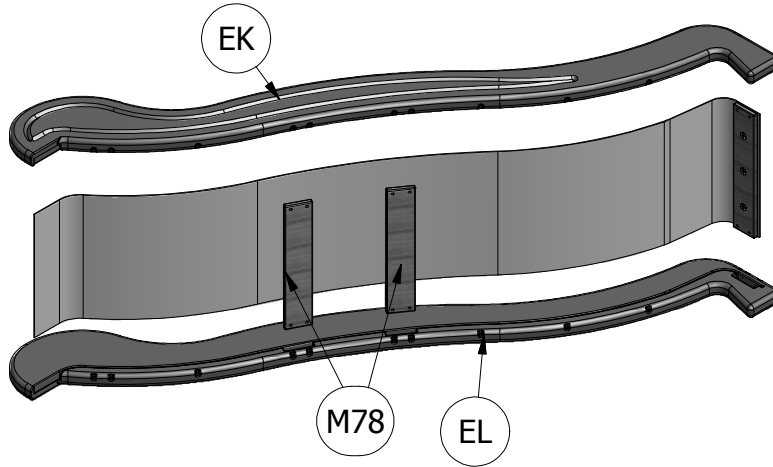


(1) EL - SLIDE RAIL 8' GREEN LEFT - A100055



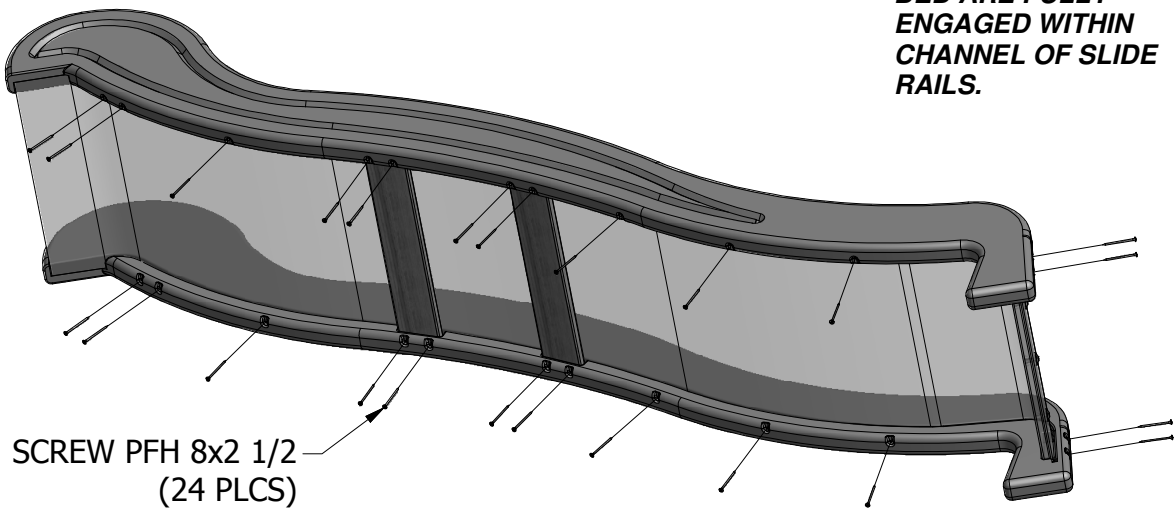
(2) M78 - CENTER SLIDE BRACE - W100545
5/8"x3 3/8"x17 1/4" (16x86x438)

SLIDE ASSEMBLY STEP 2

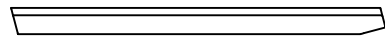


NOTE:

**MAKE CERTAIN
SUPPORTS AND SLIDE
BED ARE FULLY
ENGAGED WITHIN
CHANNEL OF SLIDE
RAILS.**



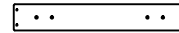
TIP: A HELPER IS REQUIRED FOR THIS STEP.



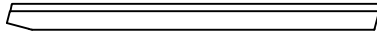
(1) **E82 - LEFT RAIL - W101127**
1 3/8"x3 3/8"x48 3/4" (36x86x1239)



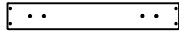
(8) **M82 - ROCK WALL BOARD - W4L05551**
5/8"x3 3/8"x22 3/8" (16x86x568)



(3) **M83 - ROCK WALL BOARD - W101132**
5/8"x3 3/8"x22 3/8" (16x86x568)



(1) **E83 - RIGHT RAIL - W101128**
1 3/8"x3 3/8"x48 3/4" (36x86x1239)



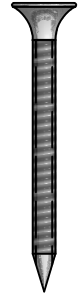
(3) **M83 - ROCK WALL BOARD - W4L05552**
5/8"x3 3/8"x22 3/8" (16x86x568)

4 FT ROCK WALL ASSEMBLY

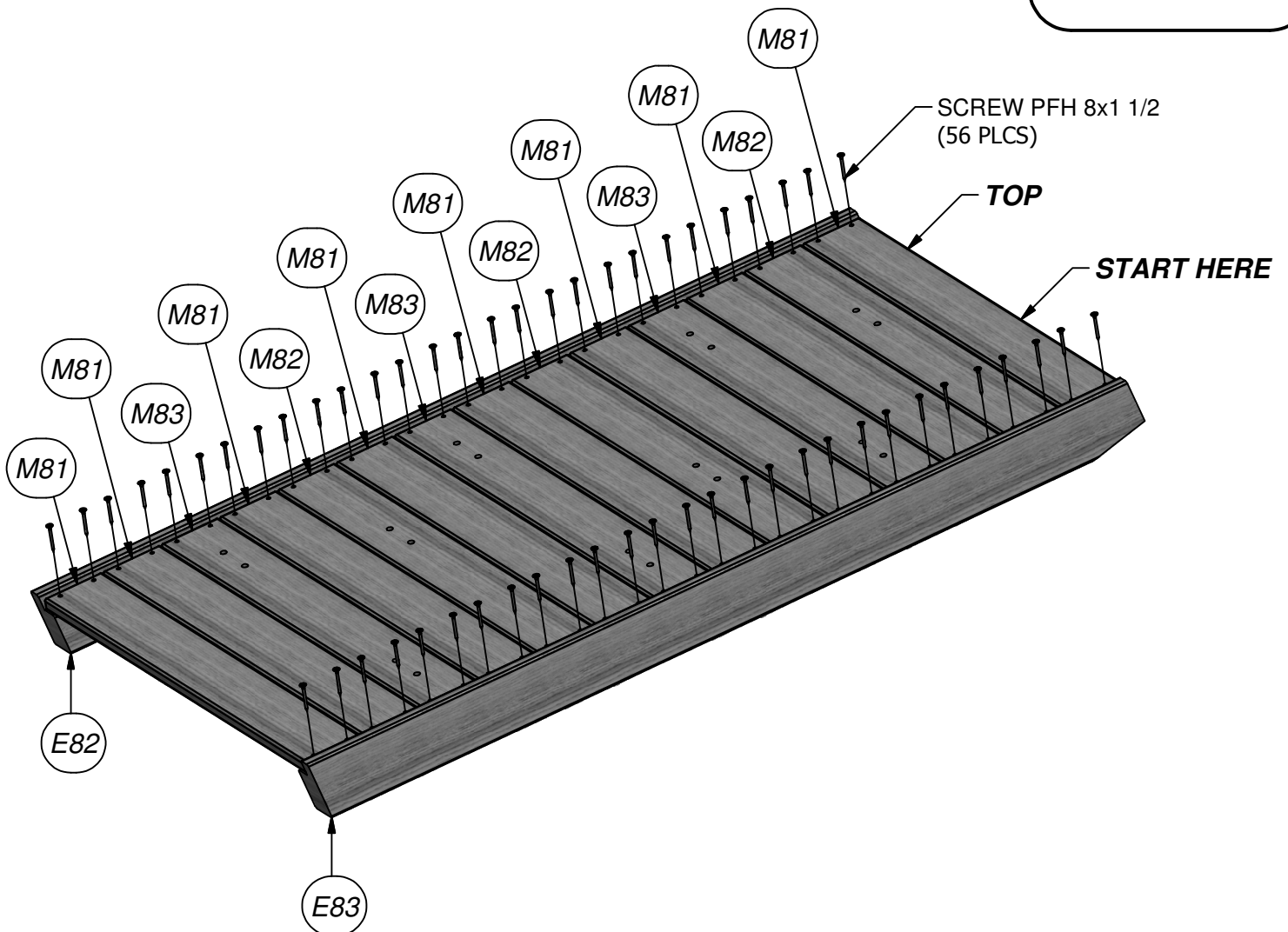
STEP 1

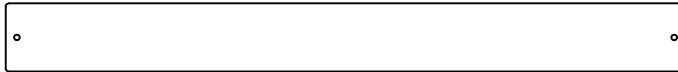
ASSEMBLE SLATS TO RAILS AS SHOWN. NOTE THE ORIENTATION OF THE SLATS AND ARRANGE AS SHOWN.

ATTACH TOP BOARD FIRST. USING SLATS AS A TEMPLATE, PILOT DRILL USING A 1/8" DRILL BIT. FAILURE TO PILOT DRILL MAY RESULT IN BOARD SPLITTING.



(56) **SCREW PFH**
8x1 1/2



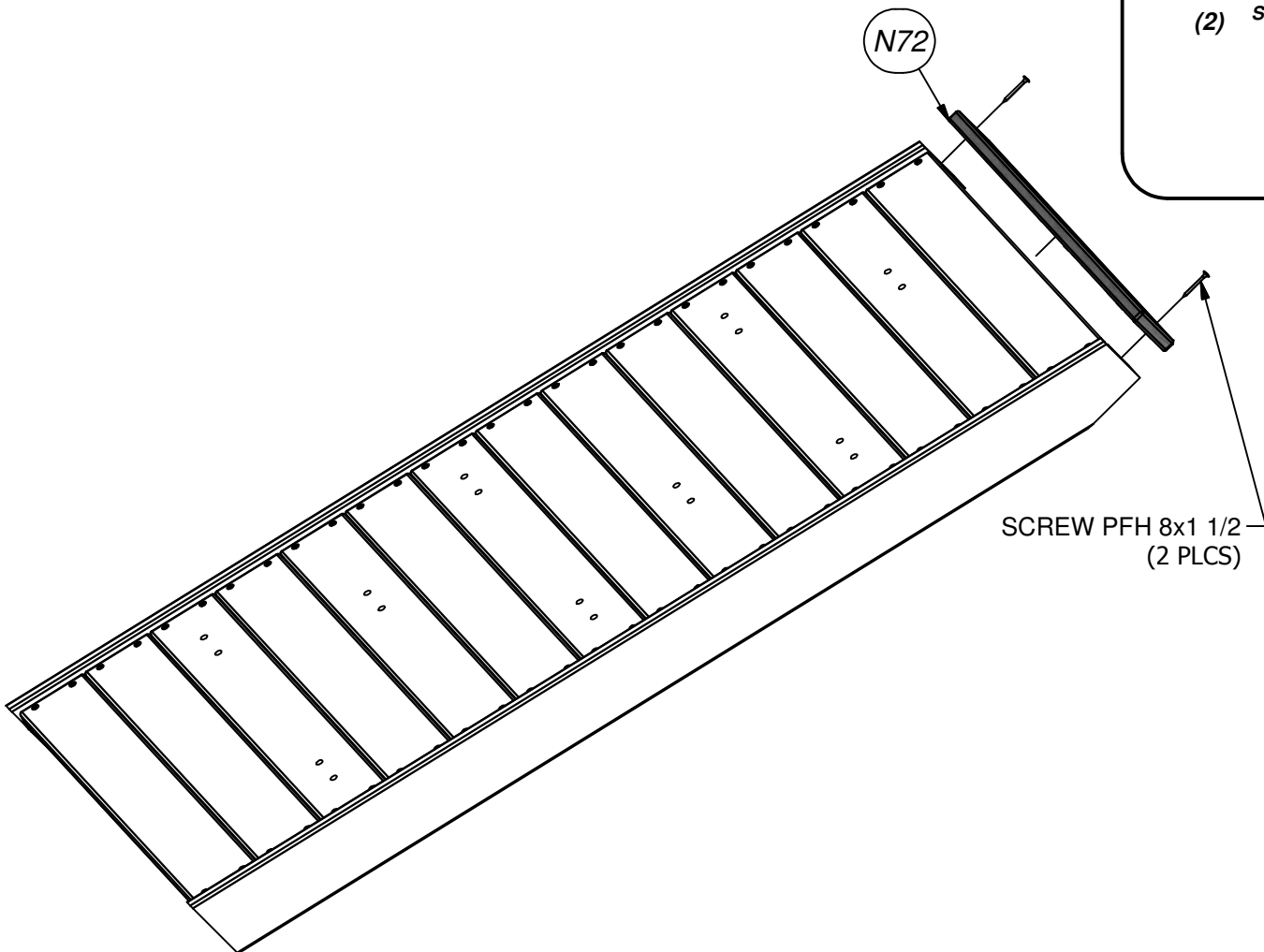
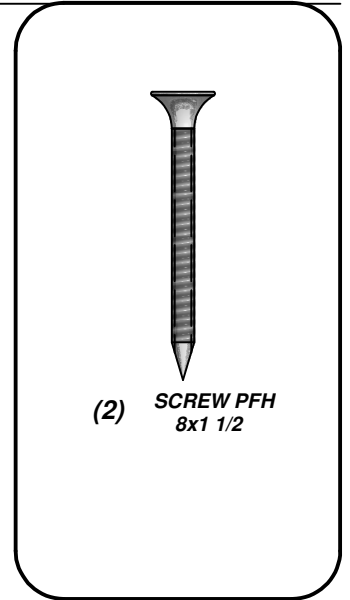


(1) N72 - ROCK WALL END BOARD - W101129
5/8"x2 3/8"x23 5/8" (16x60x600)

4 FT ROCK WALL ASSEMBLY

STEP 2

USING N72 ROCK WALL ENDBOARD AS A TEMPLATE, PILOT DRILL USING 1/8" DRILL BIT AND ATTACH N72 TO TOP OF E82 AND E83 UPRIGHT RAILS USING (2) 1-1/2" WOOD SCREWS, AS SHOWN. FAILURE TO PILOT DRILL MAY RESULT IN BOARD SPLITTING.





(1) - GREEN HC ROCK #1 - A6P00036



(1) - RED HC ROCK #2 - A6P00039



(1) - YELLOW HC ROCK #1 - A6P00042



(1) - BLUE HC ROCK #1 - A6P00041



(1) - GREEN HC ROCK #2 - A6P00037



(2) - RED HC ROCK #1 - A6P00038



(1) - YELLOW HC ROCK #2 - A6P00043



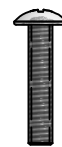
(1) - BLUE HC ROCK #2 - A6P00040

4 FT ROCK WALL ASSEMBLY

STEP 3

FLIP ROCK WALL ASSEMBLY OVER ON IT'S FRONT SURFACE AND INSTALL (18) 1/4" T-NUTS WITH A HAMMER.

FLIP ROCK WALL ASSEMBLY SO THAT FRONT SURFACE IS SHOWING AND ATTACH CLIMBING ROCKS TO ROCK WALL BOARDS USING (18) 1-1/4" BOLTS AND LOCK WASHERS, AS SHOWN.



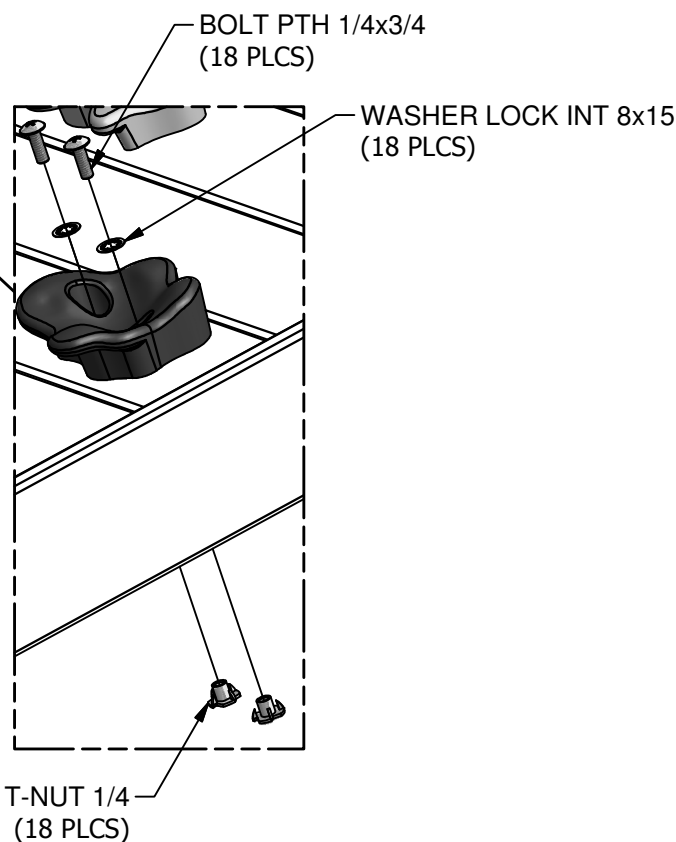
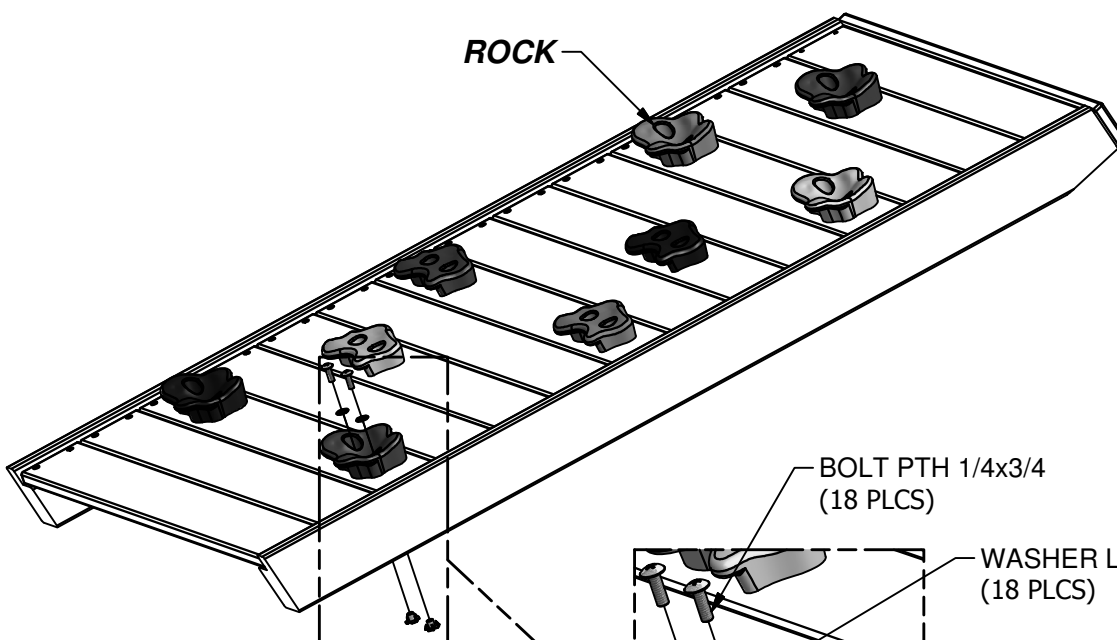
(18) BOLT PTH 1/4x1 1/4



(18) WASHER LOCK INT 8x15



(18) T-NUT 1/4



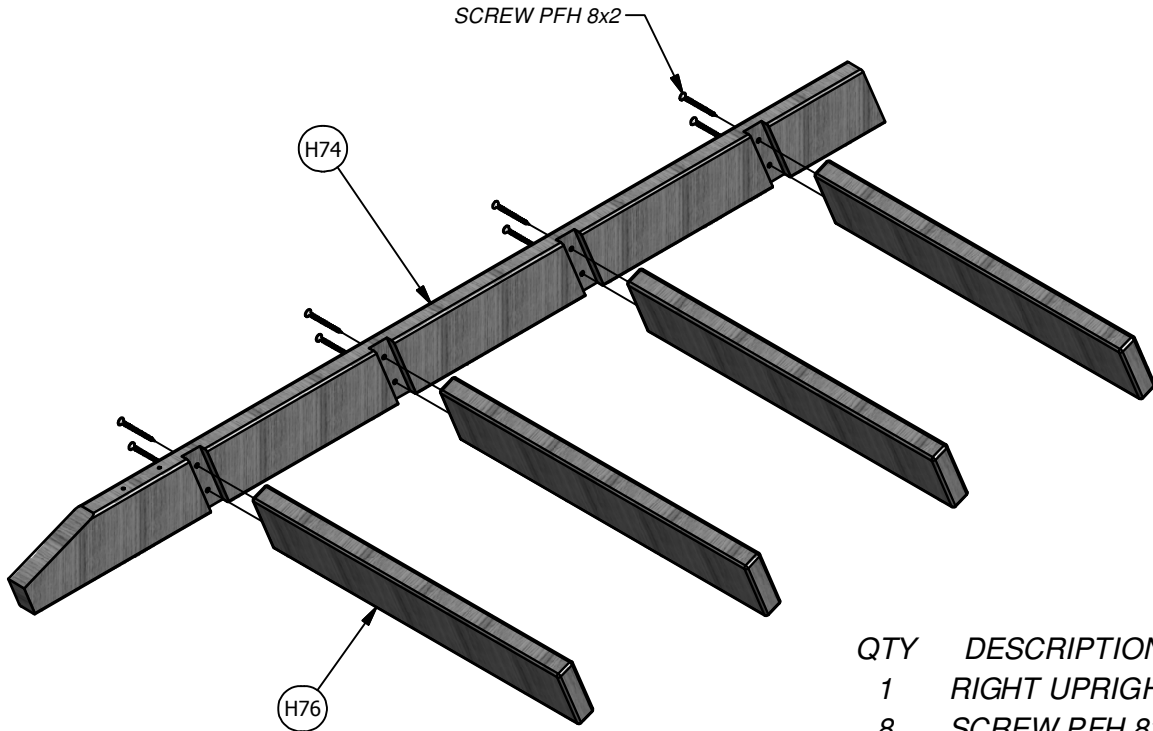
4 Ft Ladder

Phase 1 & 2

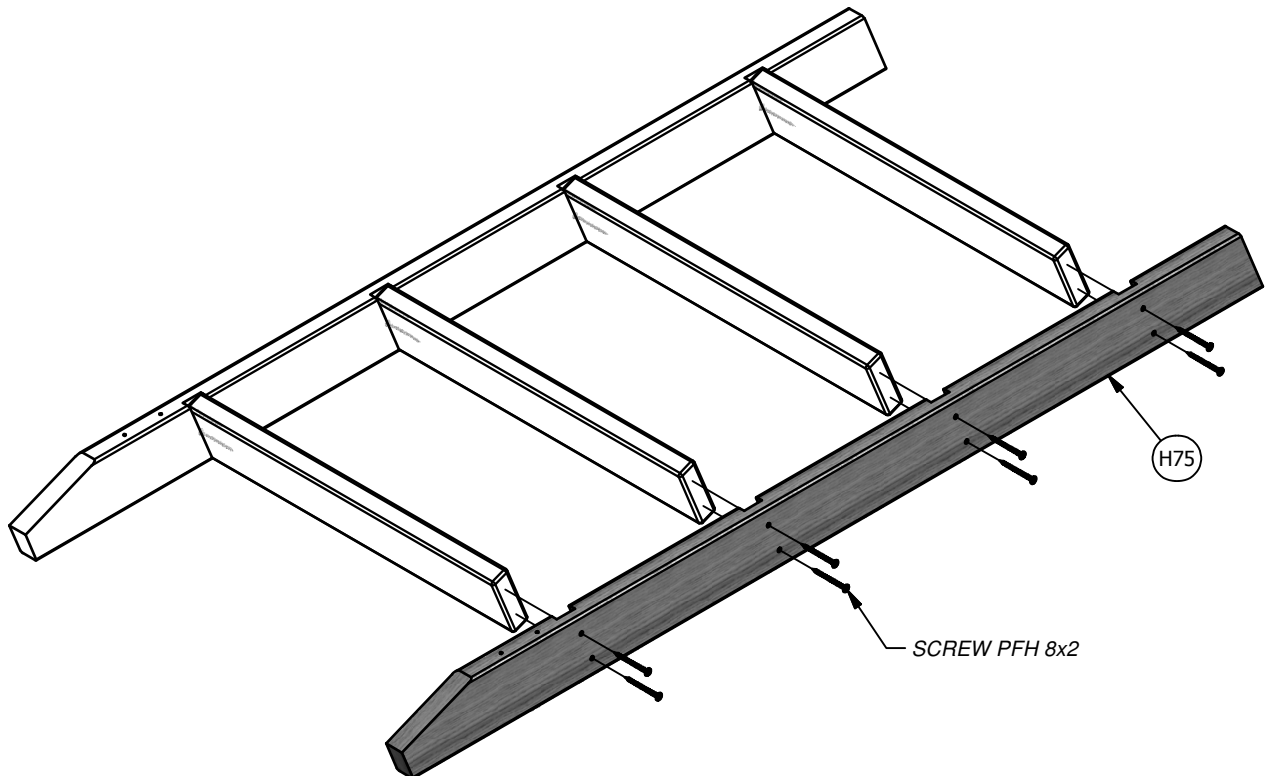
Phase Notes

- Assemble with hardware as shown.
- Center rungs in rail grooves.

QTY	DESCRIPTION	LABEL
1	LEFT UPRIGHT	H74
4	LADDER RUNG	H76
8	SCREW PFH 8x2	



QTY	DESCRIPTION	LABEL
1	RIGHT UPRIGHT	H75
8	SCREW PFH 8x2	

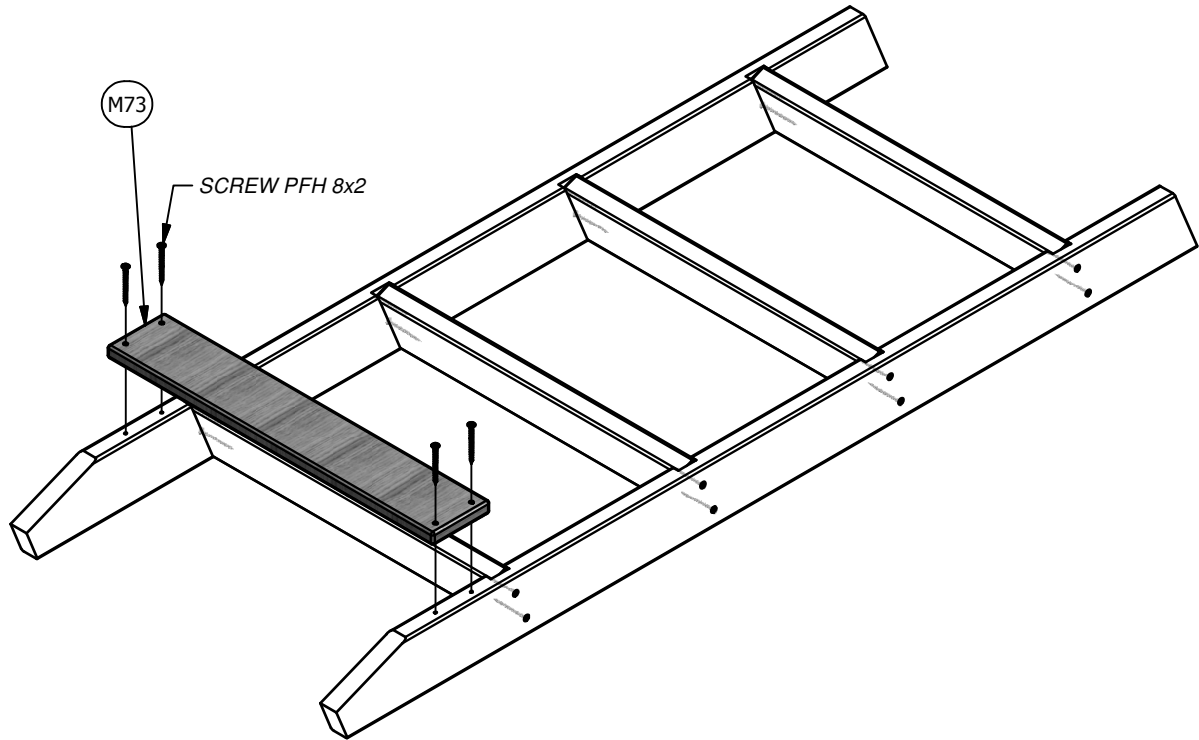


4 Ft Ladder

Phase 3

Phase Notes

- Assemble with hardware as shown.



QTY	DESCRIPTION	LABEL
1	REAR SUPPORT	M73
4	SCREW PFH 8x2	

- (1) **E1 - UPRIGHT - W101261**
1 3/8"x3 3/8"x81 3/4" (36x86x2076)
- (2) **E2 - UPRIGHT - W101260**
1 3/8"x3 3/8"x81 3/4" (36x86x2076)
- (1) **E3 - UPRIGHT - W101256**
1 3/8"x3 3/8"x81 3/4" (36x86x2076)

- (1) **K4 - FLOOR RAIL - W103700**
5/8"x5 1/4"x60 1/8" (16x134x1528)
- (1) **L2 - GROUND BOARD - W100684**
5/8"x4 3/8"x60 1/8" (16x112x1528)
- (1) **L7 - ARCHED SCULPTURED RAIL - W100695**
5/8"x4 3/8"x60 1/8" (16x112x1528)

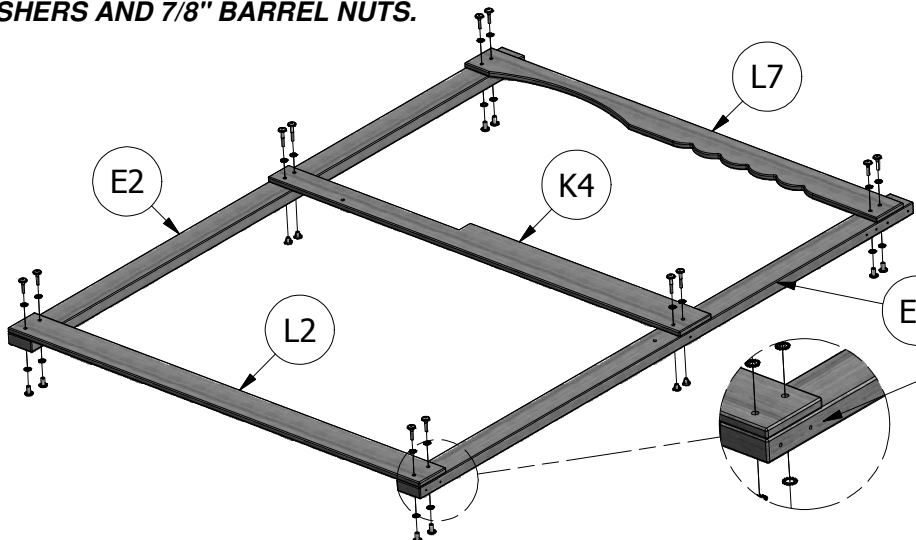
- (1) **M13 - FLOOR RAIL - W102867**
5/8"x3 3/8"x60 1/8" (16x86x1528)
- (1) **M7 - WALL BOARD - W100708**
5/8"x3 3/8"x35 1/4" (16x86x895)
- (1) **M8 - WALL RAIL - W100700**
5/8"x3 3/8"x35 7/8" (16x86x910)
- (1) **L6 - ARCHED RAIL - W100694**
5/8"x4 3/8"x60 1/8" (16x112x1528)

STEP 1

LAY TWO E2 AND E3 FORT UPRIGHTS FLAT ON GROUND. ATTACH L2 GROUND BOARD TO E2 AND E3 FORT UPRIGHTS USING (4) 1-1/2" BOLTS, LOCK WASHERS AND 7/8" BARREL NUTS.

ATTACH K4 FLOOR RAIL TO E2 AND E3 FORT UPRIGHTS USING (4) 2" BOLTS, LOCK WASHERS AND 5/16" T-NUTS.

ATTACH L7 SCULPTURED RAIL TO E2 AND E3 FORT UPRIGHTS USING (4) 1-1/2" BOLTS, LOCK WASHERS AND 7/8" BARREL NUTS.



- (8) **BOLT WH**
5/16x1 1/2
- (4) **BOLT WH**
5/16x2
- (8) **WASHER**
LOCK EXT
12x19
- (12) **WASHER**
LOCK EXT
8x19
- (8) **NUT BARREL**
WH 5/16x7/8
- (4) **T-NUT 5/16**

ORIENTED AS SHOWN

STEP 2

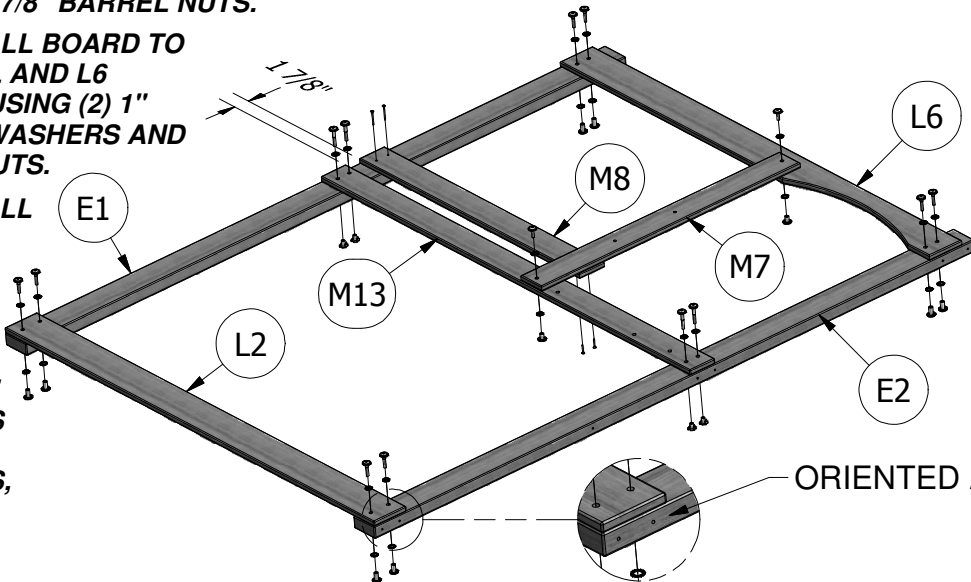
LAY TWO E1 AND E2 FORT UPRIGHTS FLAT ON GROUND. ATTACH L2 GROUND BOARD TO E1 AND E2 FORT UPRIGHTS USING (4) 1-1/2" BOLTS, LOCK WASHERS AND 7/8" BARREL NUTS.

ATTACH M13 FLOOR RAIL TO E1 AND E2 FORT UPRIGHTS USING (4) 2" BOLTS, LOCK WASHERS AND 5/16" T-NUTS.

ATTACH L6 ARCHED RAIL TO E1 AND E2 FORT UPRIGHTS USING (4) 1-1/2" BOLTS, LOCK WASHERS AND 7/8" BARREL NUTS.

ATTACH M7 WALL BOARD TO M2 FLOOR RAIL AND L6 ARCHED RAIL USING (2) 1" BOLTS, LOCK WASHERS AND 5/8" BARREL NUTS.

ATTACH M8 WALL RAIL TO THE OUTSIDE OF E1 AND TO THE INSIDE OF M7 WALL BOARD USING (2) 1-3/4" WOOD SCREWS AND (2) 1-1/8" WOOD SCREWS, AS SHOWN.



- (4) **BOLT WH**
5/16x2
- (2) **BOLT WH**
5/16x1
- (8) **BOLT WH**
5/16x1 1/2
- (2) **SCREW PFH**
8x1 3/4
- (2) **NUT BARREL**
WH 5/16x5/8
- (8) **NUT BARREL**
WH 5/16x7/8
- (4) **T-NUT 5/16**
- (14) **WASHER**
LOCK EXT
8x19
- (10) **WASHER**
LOCK EXT
12x19
- (2) **SCREW PFH**
8x1 1/8

ORIENTED AS SHOWN

- (1) **K1 - ROOF SWING BEAM SUPPORT - W100682**
5/8"x5 1/4"x51 5/8" (16x134x1310)

- (1) **K5 - FLOOR RAIL - W103705**
5/8"x5 1/4"x30" (16x134x762)

- (1) **M9 - ANGLE BRACE - W100696**
5/8"x3 3/8"x35 5/8" (16x86x904)

- (2) **M5 - FACE BOARD - W101599**
5/8"x3 3/8"x43 1/8" (16x86x1094)

- (1) **M10 - SAFETY BOARD - W100701**
5/8"x3 3/8"x33 7/8" (16x86x860)

- (1) **L3 - GROUND BOARD - W101602**
5/8"x4 3/8"x46 7/8" (16x112x1191)

STEP 3

USING A HAMMER, INSTALL (4) 5/16" T-NUTS INTO THE HOLES PROVIDED ON THE INSIDE OF K1 ROOF SWING BEAM SUPPORT AND (2) 5/16" T-NUTS INTO THE HOLES PROVIDED ON THE OUTSIDE SURFACE OF K1 SUPPORT, AS SHOWN.

ATTACH (2) M5 FACE BOARDS TO THE EDGES OF BOTH E2 FORT UPRIGHTS USING (6) 1-1/2" WOOD SCREWS, AS SHOWN.

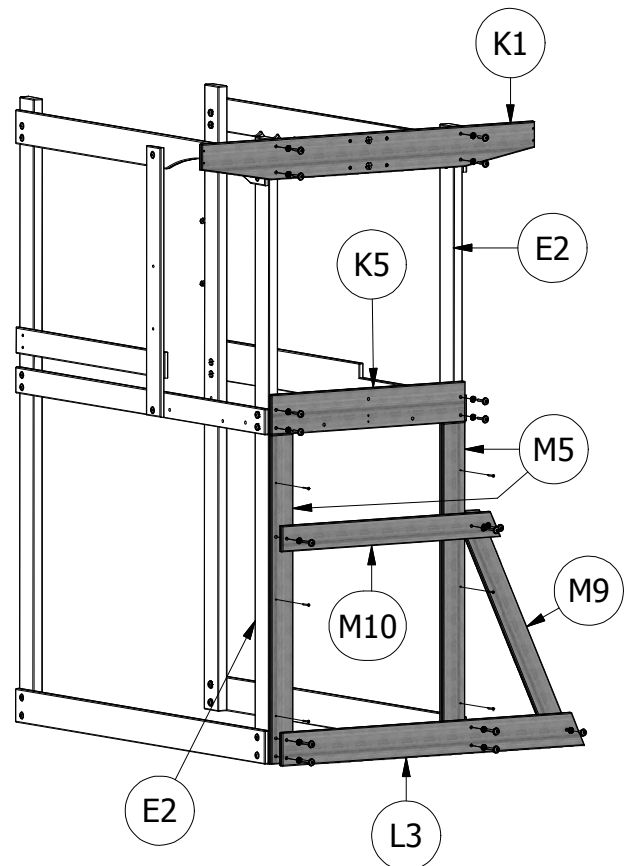
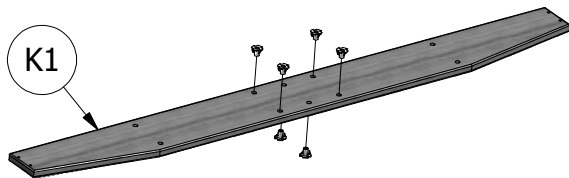
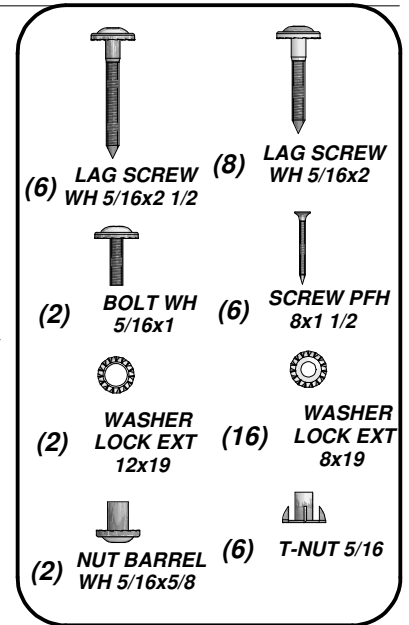
ATTACH L3 GROUND BOARD TO THE EDGES OF BOTH E2 FORT UPRIGHTS AND THROUGH HOLES PROVIDED IN M5 BOARDS USING (4) 2-1/2" LAG SCREWS AND LOCK WASHERS, AS SHOWN.

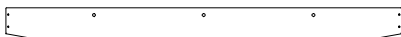
ATTACH M10 SAFETY BOARD TO THE EDGES OF BOTH E2 FORT UPRIGHTS AND THROUGH HOLES PROVIDED IN M5 BOARDS USING (2) 2-1/2" LAG SCREWS AND LOCK WASHERS, AS SHOWN.

ATTACH M9 ANGLE BRACE TO L3 AND M10 BOARDS USING (2) 1" BOLTS, LOCK WASHERS AND 5/8" BARREL NUTS, AS SHOWN.

ATTACH K5 FLOOR RAILS TO THE EDGES OF BOTH E2 FORT UPRIGHTS USING (4) 2" LAG SCREWS AND LOCK WASHERS, AS SHOWN.

ATTACH K1 SUPPORT TO THE EDGES OF BOTH E2 FORT UPRIGHTS AND FLUSH TO TOP EDGES OF E2 UPRIGHTS USING (4) 2" LAG SCREWS AND LOCK WASHERS, AS SHOWN.

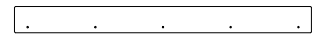




(1) **K2 - ROOF SUPPORT - W100683**
5/8"x5 1/4"x51 5/8" (16x134x1310)



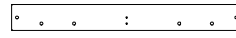
(1) **L5 - GROUND BOARD - W100686**
5/8"x4 3/8"x30" (16x112x762)



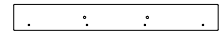
(2) **M6 - LOWER FACE BOARD - W101598**
5/8"x3 3/8"x38 5/8" (16x86x982)



(1) **M12 - ROCK WALL ARCH BOARD - W102862**
5/8"x3 3/8"x30" (16x86x762)



(1) **M14 - FLOOR SUPPORT BOARD - W102864**
5/8"x3 3/8"x30" (16x86x762)



(2) **M11 - UPPER FACE BOARD - W102866**
5/8"x3 3/8"x26 5/8" (16x86x676)

STEP 4

ATTACH L5 GROUND BOARD TO THE EDGES OF BOTH E1 AND E3 FORT UPRIGHTS USING (4) 2" LAG SCREWS AND LOCK WASHERS, AS SHOWN.

ATTACH (2) M6 LOWER FACE BOARDS TO THE EDGES OF BOTH E1 AND E3 FORT UPRIGHTS USING (10) 1-1/2" WOOD SCREWS, AS SHOWN.

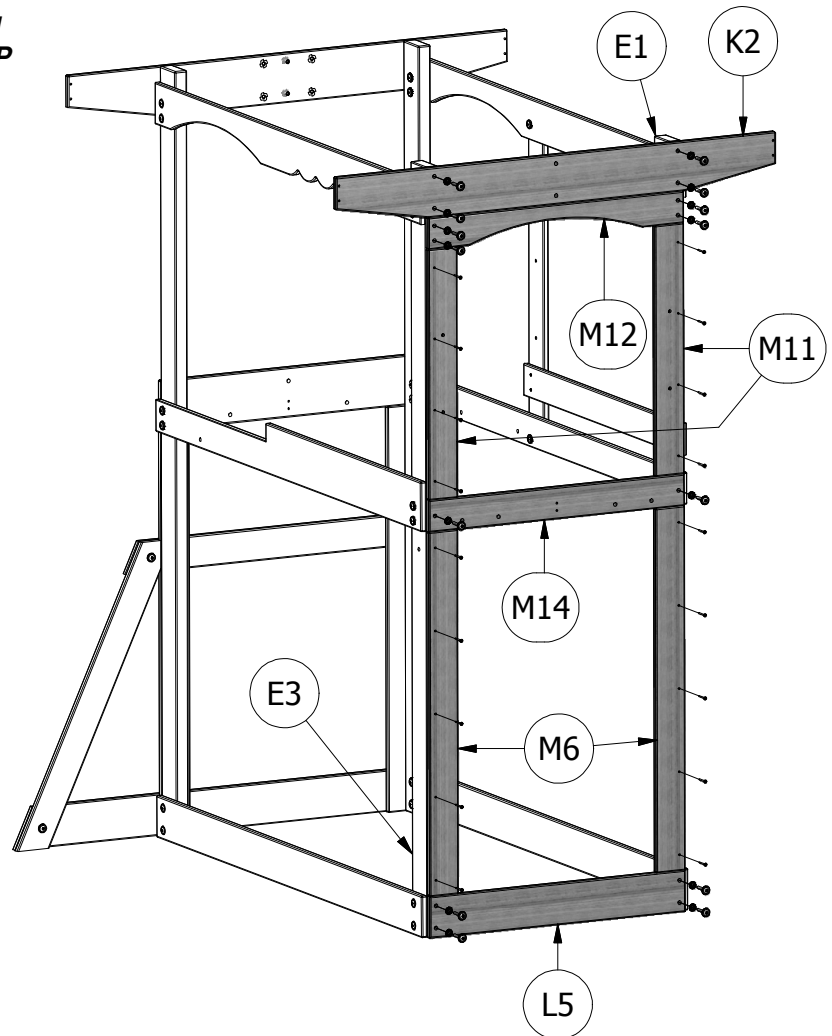
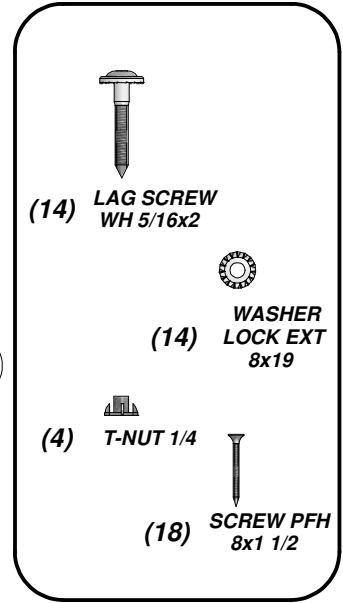
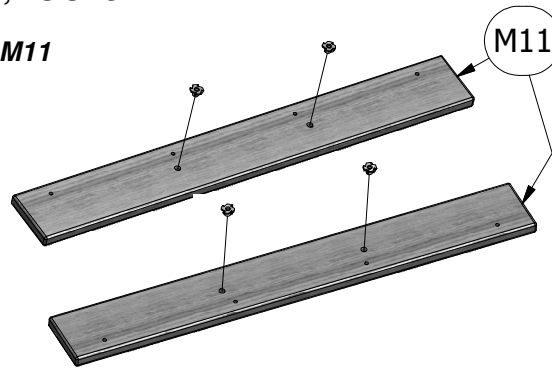
ATTACH M14 SUPPORT BOARD TO THE EDGES OF BOTH E1 AND E3 FORT UPRIGHTS USING (2) 2" LAG SCREWS AND LOCK WASHERS, AS SHOWN.

USING A HAMMER, INSERT (4) 1/4" T-NUTS INTO M11 UPPER FACE BOARDS, AS SHOWN.

ATTACH (2) M11 UPPER FACE BOARDS TO THE EDGES OF BOTH E1 AND E3 FORT UPRIGHTS USING (8) 1-1/2" WOOD SCREWS, AS SHOWN.

ATTACH M12 ARCHED BOARD TO THE EDGES OF BOTH E1 AND E3 FORT UPRIGHTS USING (4) 2" LAG SCREWS AND LOCK WASHERS, AS SHOWN.

ATTACH K2 SUPPORT TO THE EDGES OF BOTH E1 AND E3 FORT UPRIGHTS AND FLUSH TO TOP EDGES OF E2 UPRIGHTS USING (4) 2" LAG SCREWS AND LOCK WASHERS, AS SHOWN.



(2) M3 - TARP SUPPORT - W100692
5/8"x3 3/8"x60 1/8" (16x86x1528)

(2) SP1 - FLOOR SUPPORT CLEAT - W100711
1"x1"x53 3/8" (24x24x1356)

(1) J3 - FLOOR JOIST - W100984
1"x2 3/8"x60 1/8" (24x60x1528)

(6) F71 - STANDARD ANGLE BRACE - W100689
1 3/8"x2 3/8"x13" (36x60x330)

(4) J2 - END FLOOR CLEAT - W100710
1"x2 3/8"x3 3/8" (24x60x86)

STEP 5

ATTACH (2) M3 TARP SUPPORT TO K1 AND K2 SUPPORTS USING (8) 2" WOOD SCREWS, AS SHOWN.

ATTACH J3 FLOOR JOIST TO K5 FLOOR RAIL AND M14 FLOOR SUPPORT USING (4) 1-1/2" WOOD SCREWS, AS SHOWN.

ATTACH (6) F71 STANDARD ANGLE BRACES TO THE INSIDE FACES OF K4, K5, M13 AND M14 BOARDS USING (6) 1-1/2" BOLTS, LOCK WASHERS AND 7/8" BARREL NUTS, AS SHOWN.

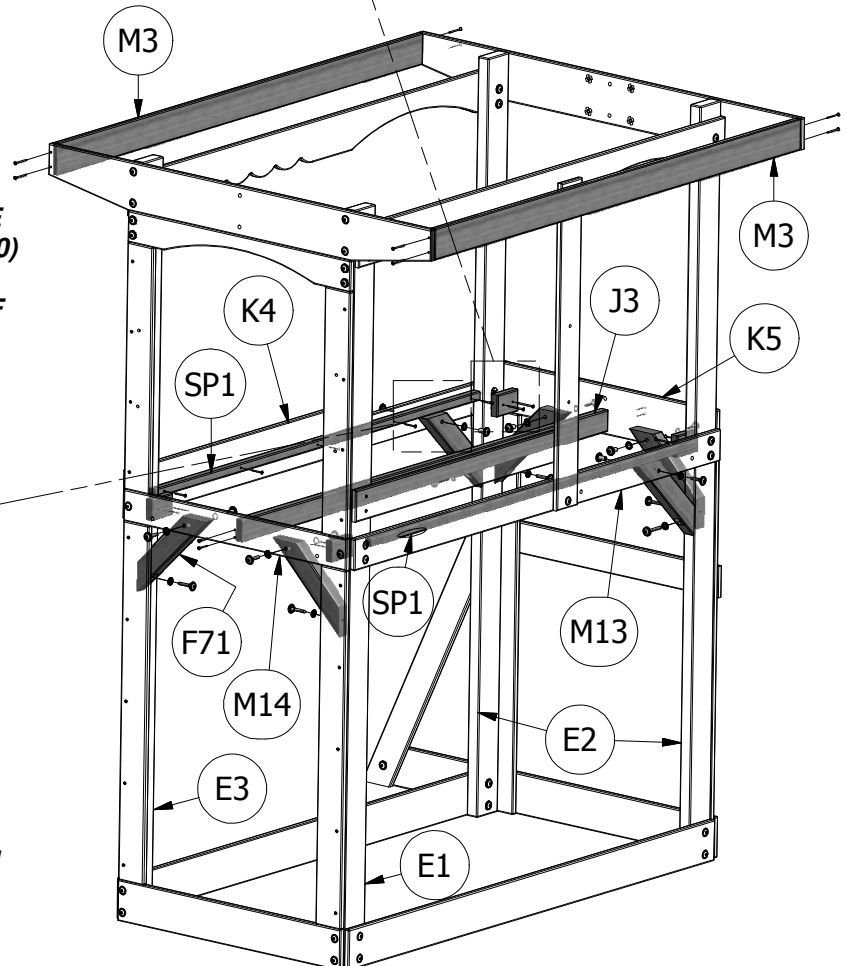
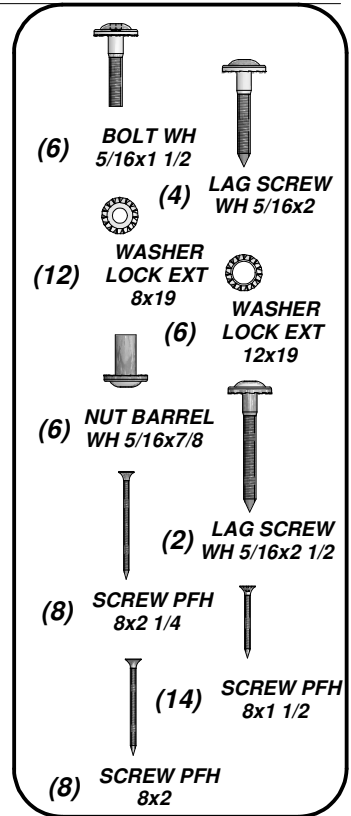
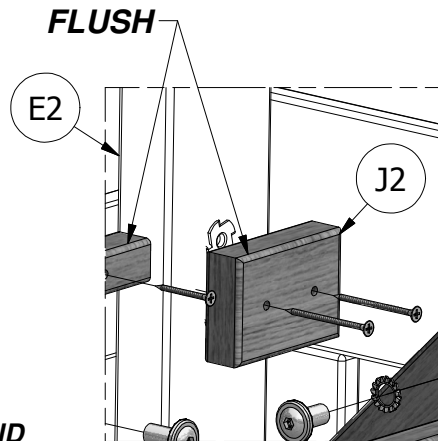
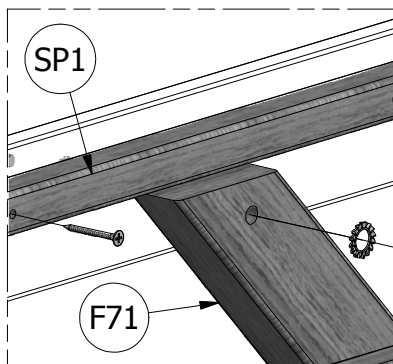
ATTACH (2) F71 STANDARD ANGLE BRACES CONNECTED TO K5 BOARD TO THE FACE OF E2 UPRIGHTS USING (2) 2" LAG SCREWS AND LOCK WASHERS, AS SHOWN.

ATTACH (2) F71 STANDARD ANGLE BRACES CONNECTED TO M14 BOARD TO THE FACE OF E1 AND E3 UPRIGHTS USING (2) 2" LAG SCREWS AND LOCK WASHERS, AS SHOWN.

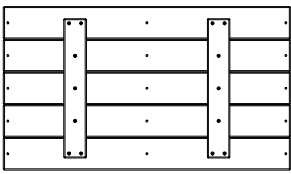
ATTACH F71 STANDARD ANGLE BRACE CONNECTED TO M13 BOARD TO THE EDGE OF E2 UPRIGHT USING 2-1/2" LAG SCREW AND LOCK WASHER, AS SHOWN.

ATTACH F71 STANDARD ANGLE BRACE CONNECTED TO K4 BOARD TO THE EDGE OF E2 UPRIGHT USING 2-1/2" LAG SCREW AND LOCK WASHER, AS SHOWN.

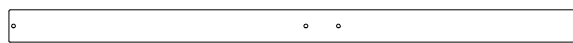
ATTACH SP1 FLOOR SUPPORT CLEAT TO THE INSIDE FACES OF BOTH K4 AND M13 FLOOR RAILS USING (10) 1-1/2" WOOD SCREWS. FOR MOUNTING LOCATION, THE SP1 CLEAT SHOULD REST ON THE TOP EDGE OF THE F71 ANGLE BRACES, AS SHOWN BELOW.



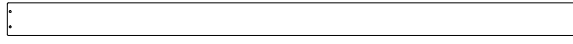
ATTACH (4) J2 END FLOOR CLEATS TO THE INSIDE FACES OF E1, E2 AND E3 FORT UPRIGHTS AND FLUSH TO TOP EDGES OF SP1 FLOOR SUPPORT CLEATS USING (8) 2-1/4" WOOD SCREWS, AS SHOWN.



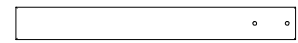
(3) FP1- FLOOR PANEL - W102861



(1) M1 - TENT SUPPORT - W101601
5/8"x3 3/8"x59 1/4" (16x86x1504)



(1) M4 - TARP TOP SUPPORT - W100693
5/8"x3 3/8"x60 1/8" (16x86x1528)



(1) M16 - TARP SUPPORT - W101237
5/8"x3 3/8"x29 1/8" (16x86x740)



(2) L9 - END FLOOR BOARD - W102863
5/8"x4 3/8"x29 7/8" (16x112x760)

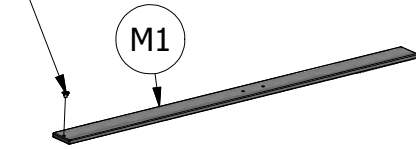
STEP 6

ATTACH (1) L9 END FLOOR BOARD TO (2) J2 END FLOOR CLEATS AND J3 FLOOR JOIST USING (5) 1-1/2" WOOD SCREWS, AS SHOWN.

ATTACH (3) FP1 FLOOR PANELS TO SP1 CLEATS AND J3 FLOOR JOIST USING (45) 1-1/2" WOOD SCREWS, AS SHOWN.

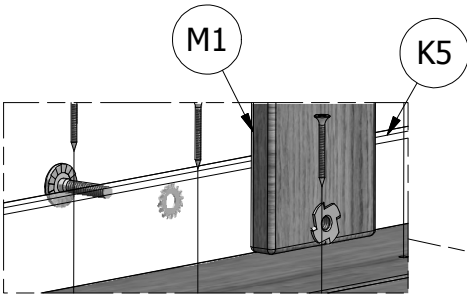
ATTACH (1) L9 END FLOOR BOARD TO (2) J2 END FLOOR CLEATS AND J3 FLOOR JOIST USING (5) 1-1/2" WOOD SCREWS, AS SHOWN.

INSERT 5/16" T-NUT BEFORE INSTALLING M1 BOARD TO FORT.



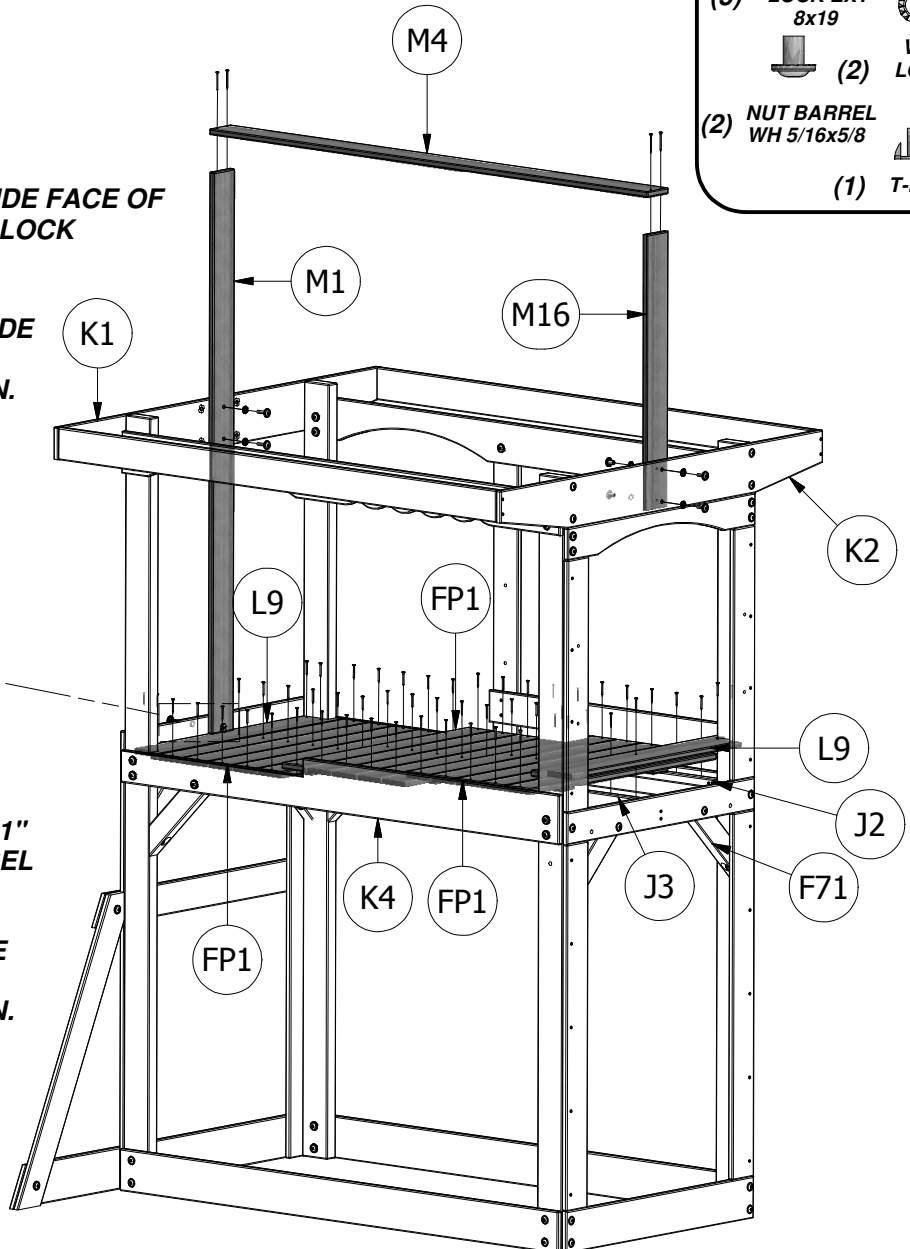
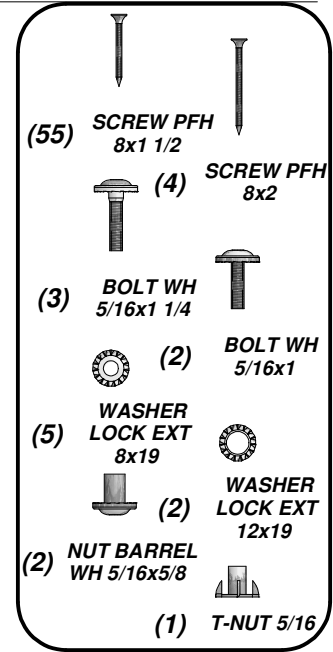
ATTACH M1 TENT SUPPORT TO THE INSIDE FACE OF K5 FLOOR RAIL USING 1-1/4" BOLT AND LOCK WASHER, AS SHOWN.

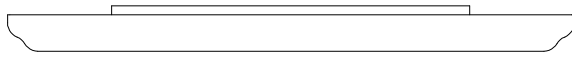
ATTACH M1 TENT SUPPORT TO THE INSIDE FACE OF K1 SUPPORT USING (2) 1-1/4" BOLTS AND LOCK WASHERS, AS SHOWN.



ATTACH M16 TARP SUPPORT TO THE INSIDE FACE OF K2 SUPPORT USING (2) 1" BOLTS, LOCK WASHERS AND 5/8" BARREL NUTS, AS SHOWN.

ATTACH M4 TARP TOP SUPPORT TO THE TOP EDGES OF M1 AND M16 SUPPORTS USING (4) 2" WOOD SCREWS, AS SHOWN.





(1) **J1 - WINDOW LEDGE - W100709**
1"x2 3/8"x29 1/2" (24x60x750)



(4) **K9-2 - WALL BOARD - W100712**
3/8"x3 3/8"x30 1/4" (11x86x768)



(6) **K9-1 - WALL BOARD - W100713**
3/8"x3 3/8"x15 3/4" (11x86x400)

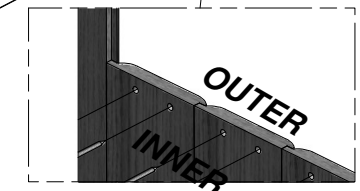
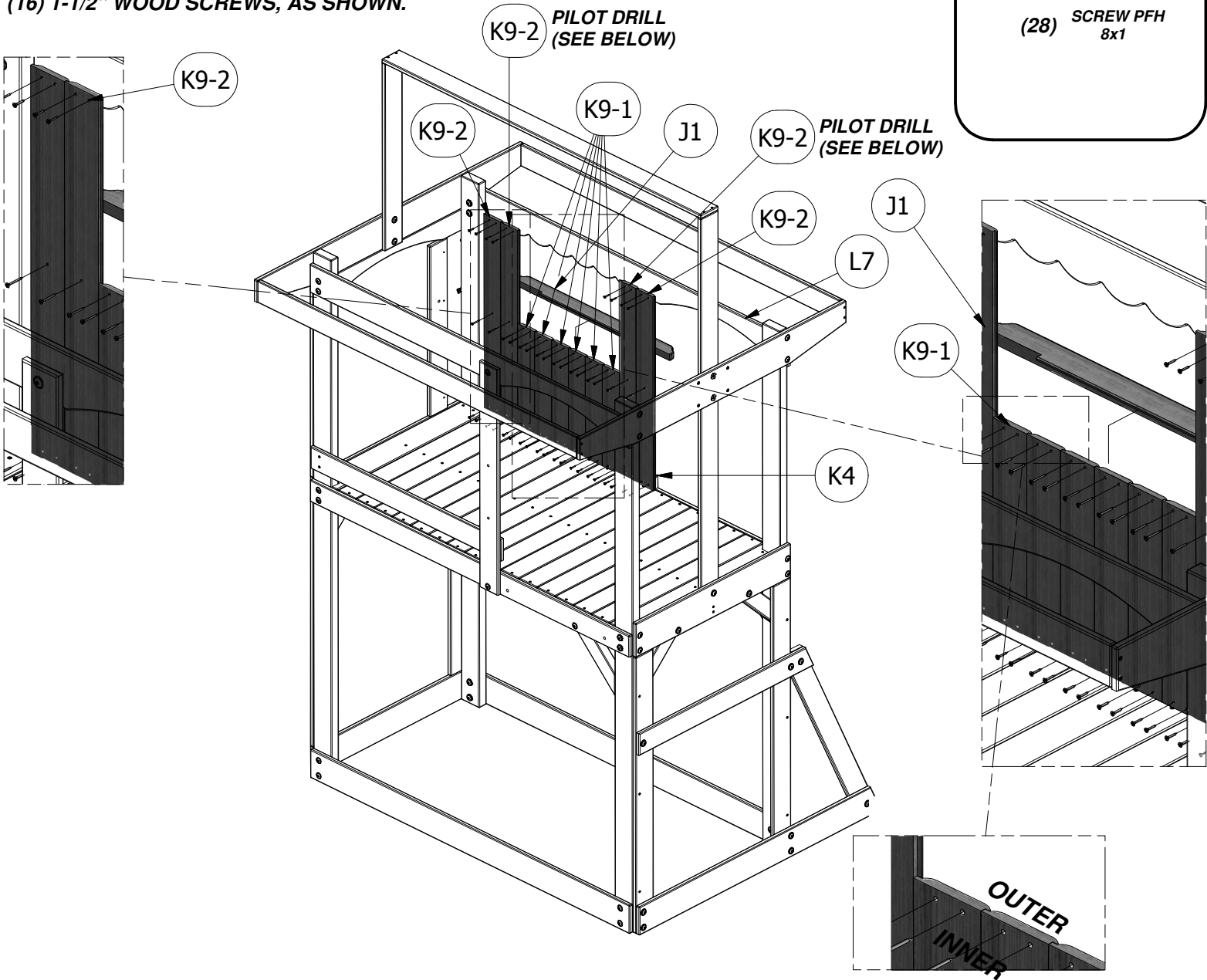
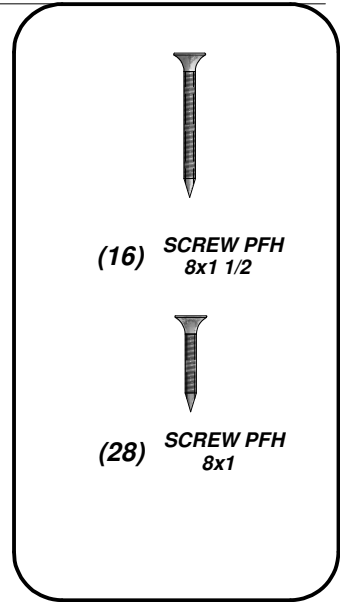
STEP 7

WORKING YOUR WAY LEFT TO RIGHT, ATTACH (2) K9-2 WALL BOARDS TO K4 FLOOR RAIL AND L7 SCULPTURED RAIL USING (8) 1" WOOD SCREWS, AS SHOWN.

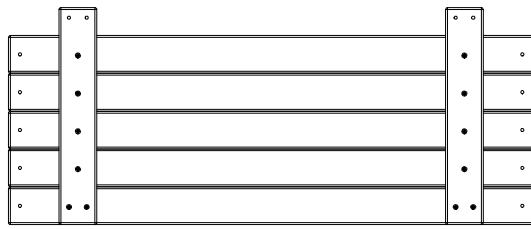
ATTACH (6) K9-1 WALL BOARDS TO K4 FLOOR RAIL USING (12) 1" WOOD SCREWS IN THE BOTTOM SET OF HOLES, AS SHOWN.

ATTACH (2) K9-2 WALL BOARDS TO K4 FLOOR RAIL AND L7 SCULPTURED RAIL USING (8) 1" WOOD SCREWS, AS SHOWN.

ATTACH J1 WINDOW LEDGE TO (6) K9-1 WALL BOARDS PREVIOUSLY INSTALLED USING (16) 1-1/2" WOOD SCREWS, AS SHOWN.



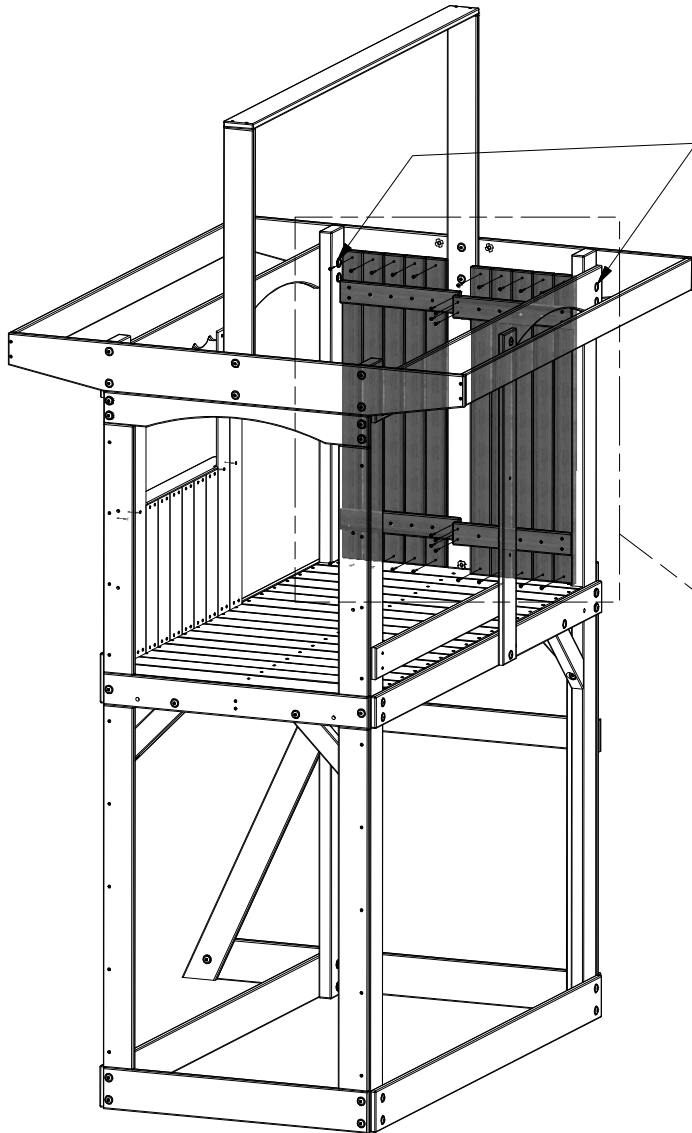
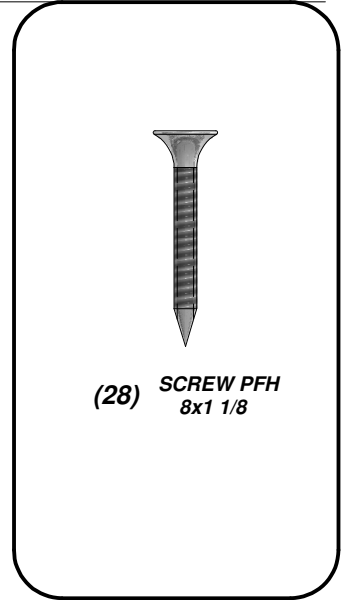
PROPER INSTALLATION OF K-9 BOARDS.



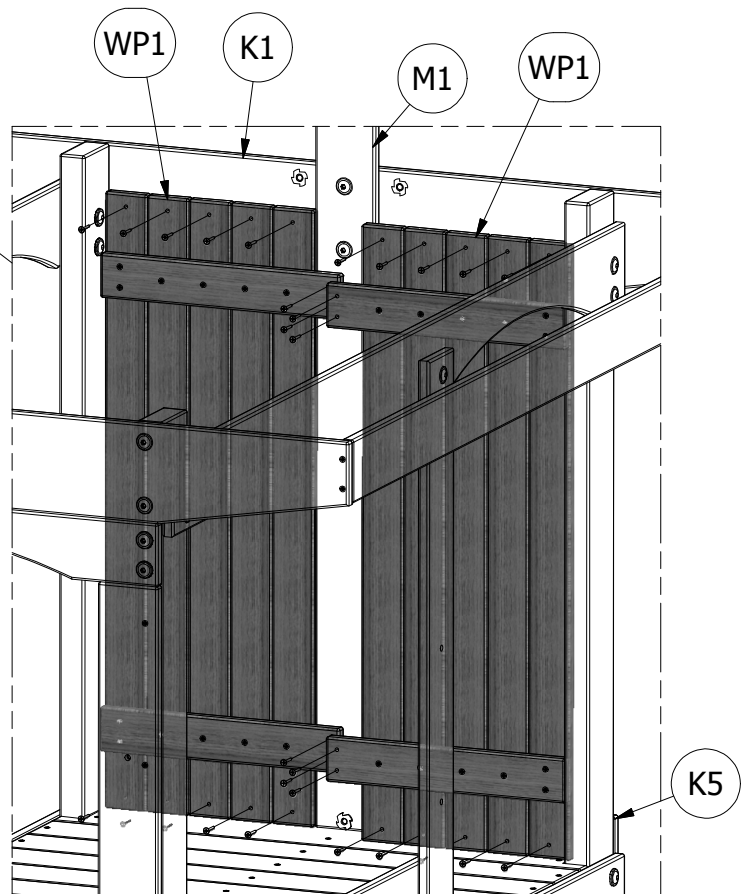
(2) WP1 - WALL PANEL - W102865

STEP 8

CENTER AND ATTACH (2) WP1 WALL PANELS TO K1 SUPPORT AND K5 FLOOR RAIL USING (28) 1-1/8" WOOD SCREWS, AS SHOWN.



ASSEMBLER MAY HAVE TO LOOSEN OR REMOVE BOLTS AND BARRELS TO INSTALL WP1 PANELS.

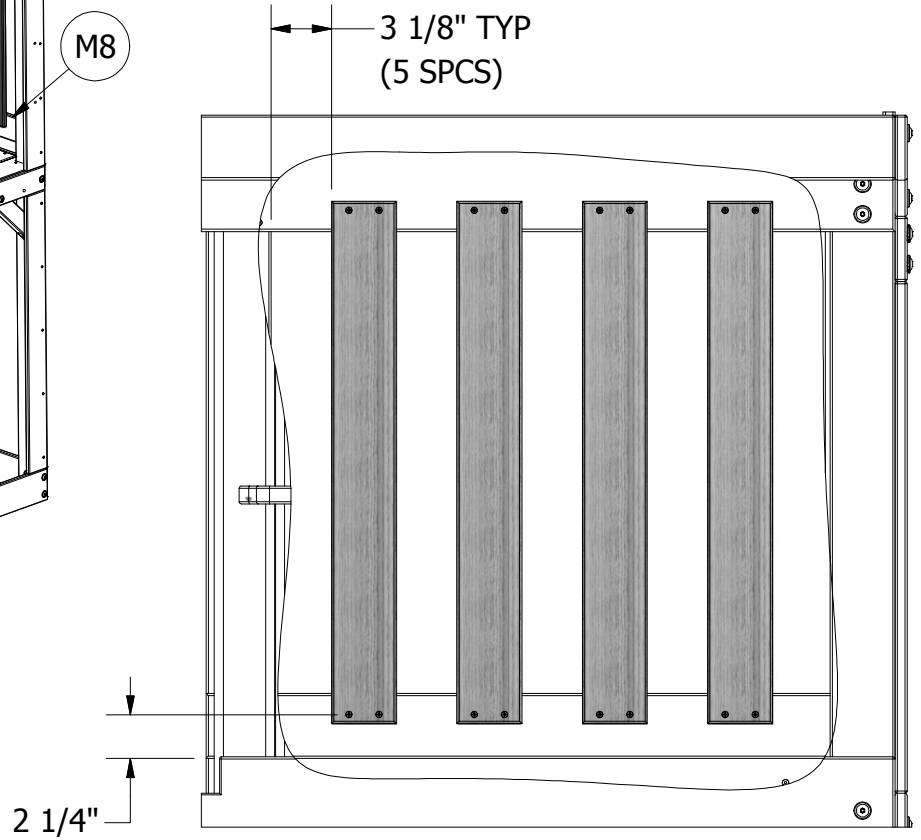
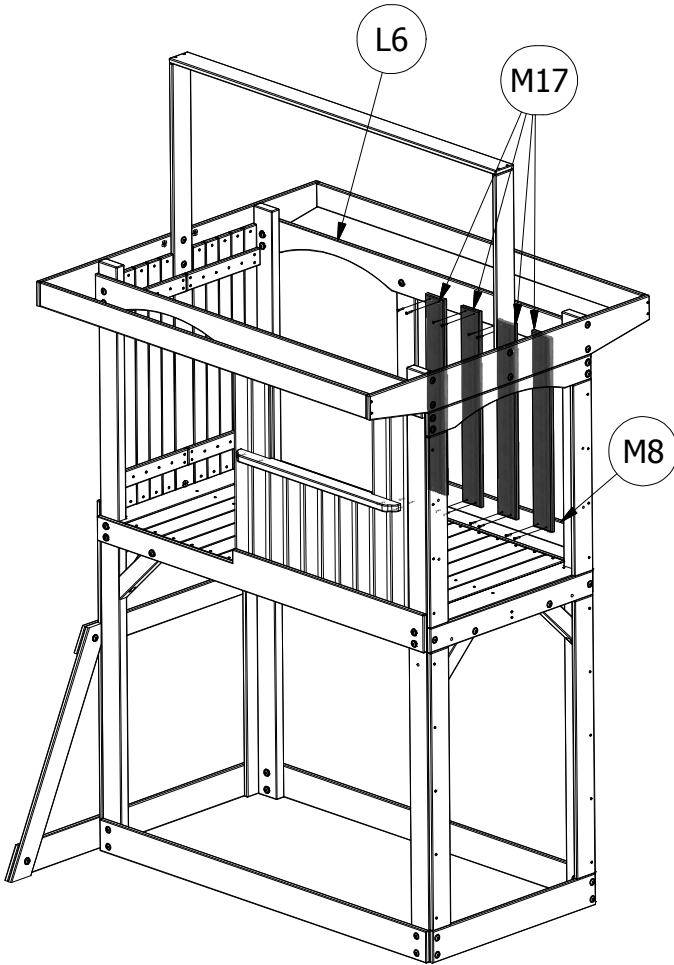
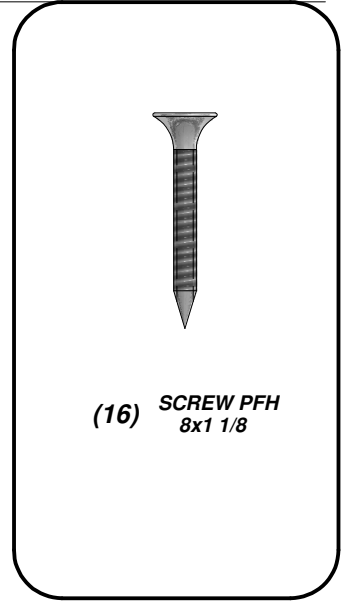




(4) **M17 - PICKET - W100705**
5/8"x3 3/8"x27 1/8" (16x86x690)

STEP 9

ATTACH (4) M17 PICKETS TO M8 WALL RAIL AND L6 ARCHED RAIL USING (16) 1-1/8" WOOD SCREWS, AS SHOWN.



- (1) **H1 - SERVING SHELF SUPPORT - W101604**
1"x3 3/8"x30 3/4" (24x86x780)
- (1) **K3 - SERVING BOARD - W101605**
5/8"x5 1/4"x28 3/4" (16x134x729)
- (2) **K9-4 - WALL BOARD - W101239**
3/8"x3 3/8"x37 3/8" (11x86x950)
- (1) **L8 - SCULPTURED RAIL - W101240**
5/8"x4 3/8"x35 1/2" (16x112x902)
- (2) **K9-3 - WALL BOARD - W101257**
3/8"x3 3/8"x42" (11x86x1068)
- (6) **K9-5 - WALL BOARD - W101259**
3/8"x3 3/8"x21 3/8" (11x86x544)
- (2) **H3 - SERVING BOARD SUPPORT - W101606**
1"x3 3/8"x3 3/8" (24x86x86)

STEP 10

ATTACH (2) H3 SERVING BOARD SUPPORTS TO H1 SERVING SHELF SUPPORT USING (4) 2" WOOD SCREWS, AS SHOWN.

STEP 11

WORKING FROM LEFT TO RIGHT, ATTACH K9-3 WALL BOARD TO L2 GROUND BOARD AND L1 FLOOR RAIL USING (4) 1" SCREWS, AS SHOWN.

NEXT, ATTACH K9-4 WALL BOARD TO L2 GROUND BOARD USING (2) 1" WOOD SCREWS, AS SHOWN.

NOW, ATTACH (6) K9-5 WALL BOARDS TO L2 GROUND BOARD USING (12) 1" WOOD SCREWS, AS SHOWN.

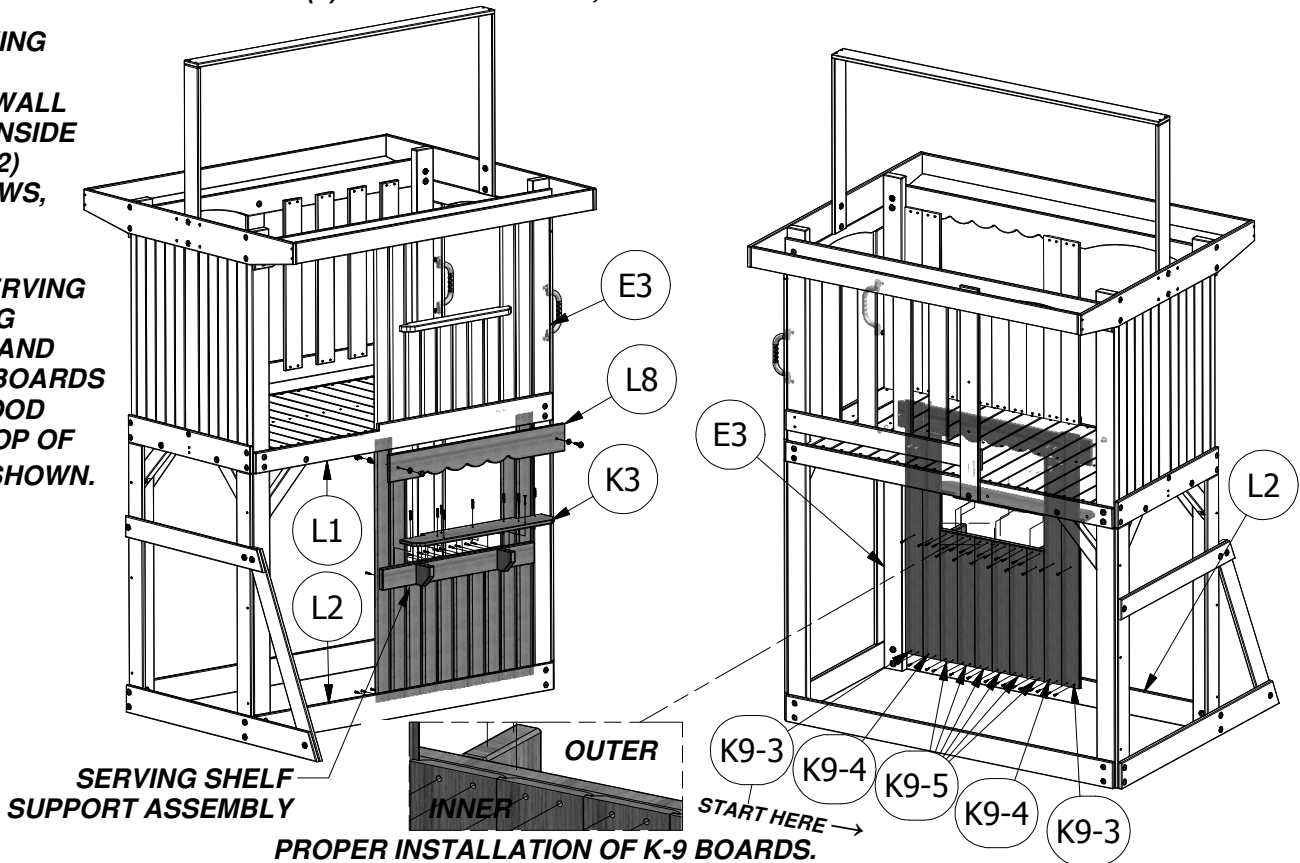
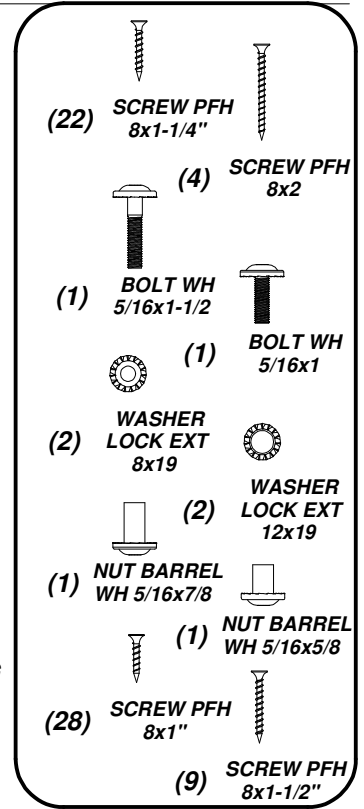
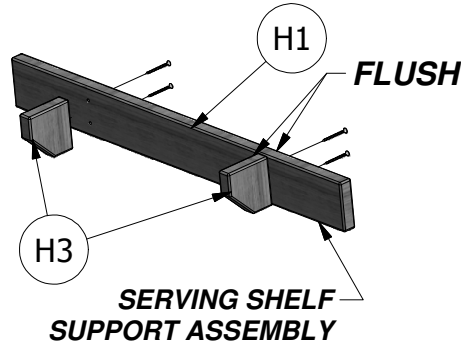
NEXT, ATTACH ANOTHER K9-4 WALL BOARD TO L2 GROUND BOARD USING (2) 1" WOOD SCREWS, AS SHOWN.

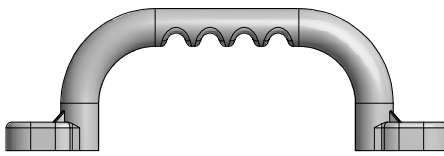
ATTACH THE LAST K9-3 WALL BOARD TO L2 GROUND BOARD AND L1 FLOOR RAIL USING (4) 1" SCREWS, AS SHOWN.

USING L8 RAIL AS A TEMPLATE, MARK AND DRILL (1) 3/8" HOLE THROUGH K9-3 BOARD AND ATTACH L8 SCULPTURED RAIL TO (2) K9-3 WALL BOARDS AND E3 UPRIGHT USING 1-1/2" BOLT, LOCK WASHERS AND 7/8" BARREL NUT AT THE TOP RIGHT AND 1" BOLT, LOCK WASHERS AND 5/8" BARREL NUT AT THE TOP LEFT. SECURE THE TOP OF K9-4 BOARDS TO L8 SCULPTURED RAIL USING (4) 1" WOOD SCREWS, AS SHOWN.

ATTACH THE SERVING SHELF SUPPORT ASSEMBLY TO K9 WALL BOARDS, ON THE INSIDE OF FORT, USING (22) 1-1/4" WOOD SCREWS, AS SHOWN.

ATTACH THE K3 SERVING BOARD TO SERVING SHELF ASSEMBLY AND CENTER K9 WALL BOARDS USING (9) 1-1/2" WOOD SCREWS AT THE TOP OF K9-5 BOARDS, AS SHOWN.





(4) EA - HAND GRIP YELLOW PLASTIC - A100043

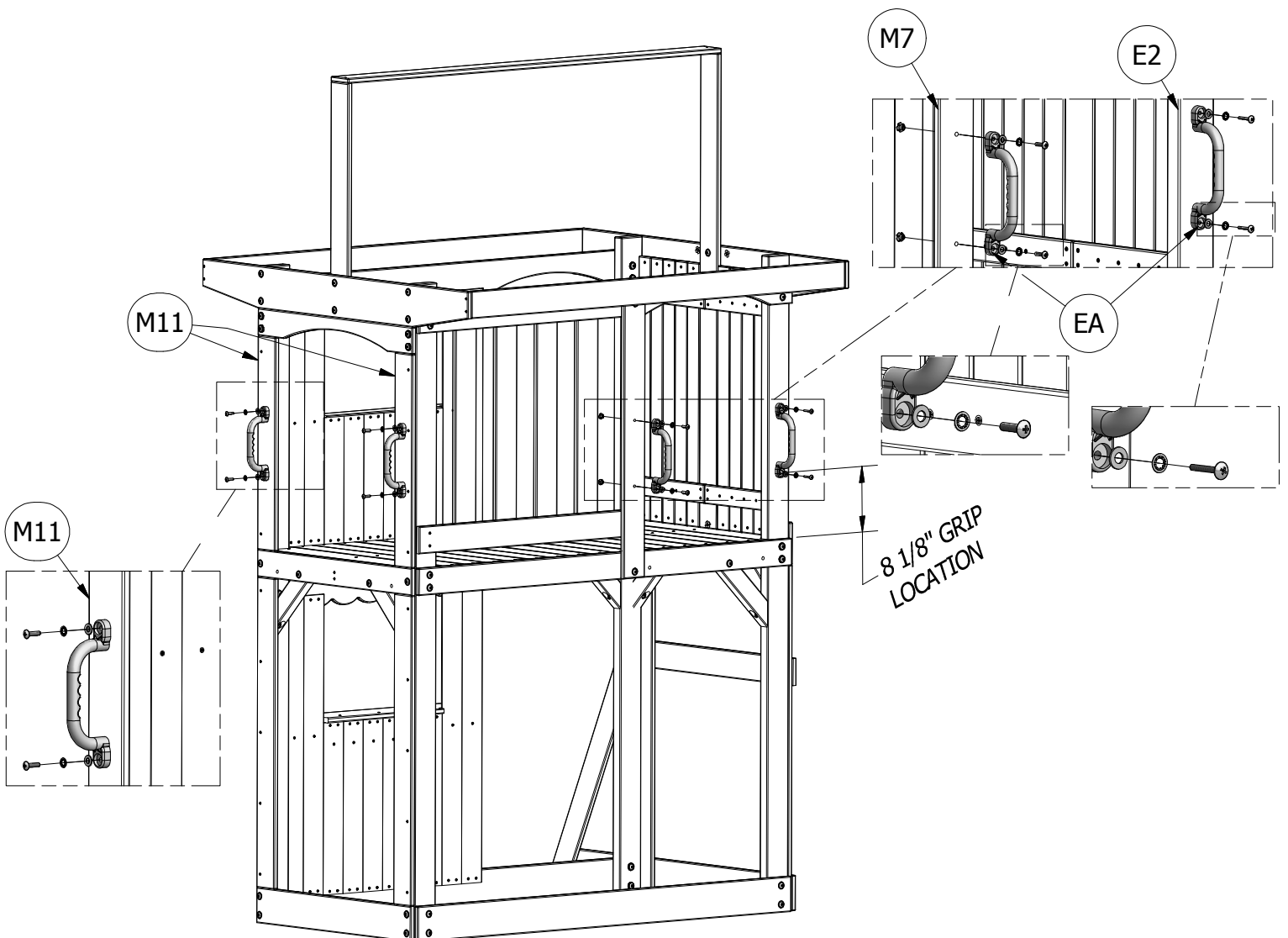
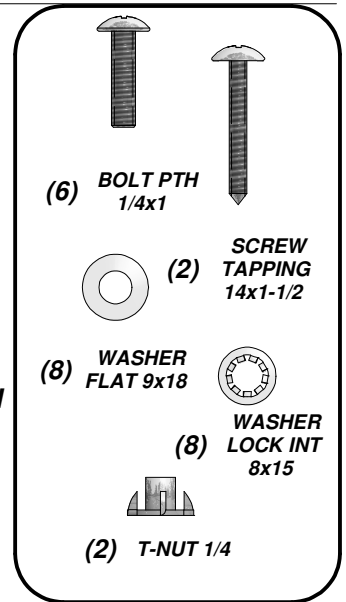
STEP 12

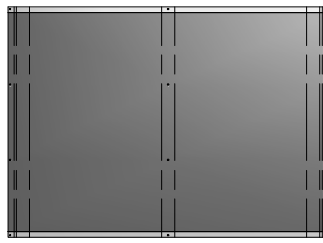
INSERT (2) 1/4" T-NUTS INTO INSIDE SURFACE OF M7 AND M11 WALL BOARD, AS SHOWN.

NEXT, ATTACH EA HANDLE GRIP TO M7 WALL BOARD USING (2) 1" PTH BOLTS, LOCK WASHERS AND FLAT WASHERS, AS SHOWN.

USING HANDLE GRIP AS A TEMPLATE, PILOT DRILL USING A 1/8" DRILL BIT AND ATTACH THE SECOND EA HANDLE GRIP TO E2 UPRIGHT USING (2) 1-1/2" TAPPING SCREWS, LOCK WASHERS AND FLAT WASHERS, AS SHOWN.

ATTACH THE REMAINING (2) EA HANDLE GRIPS TO (2) M11 FACE BOARDS USING (4) 1" PTH BOLTS, LOCK WASHERS AND FLAT WASHERS, AS SHOWN.





(1) HY - TARP 1522x2119 - A100062
1/32"x59 7/8"x83 3/8" (.4x1522x2119)

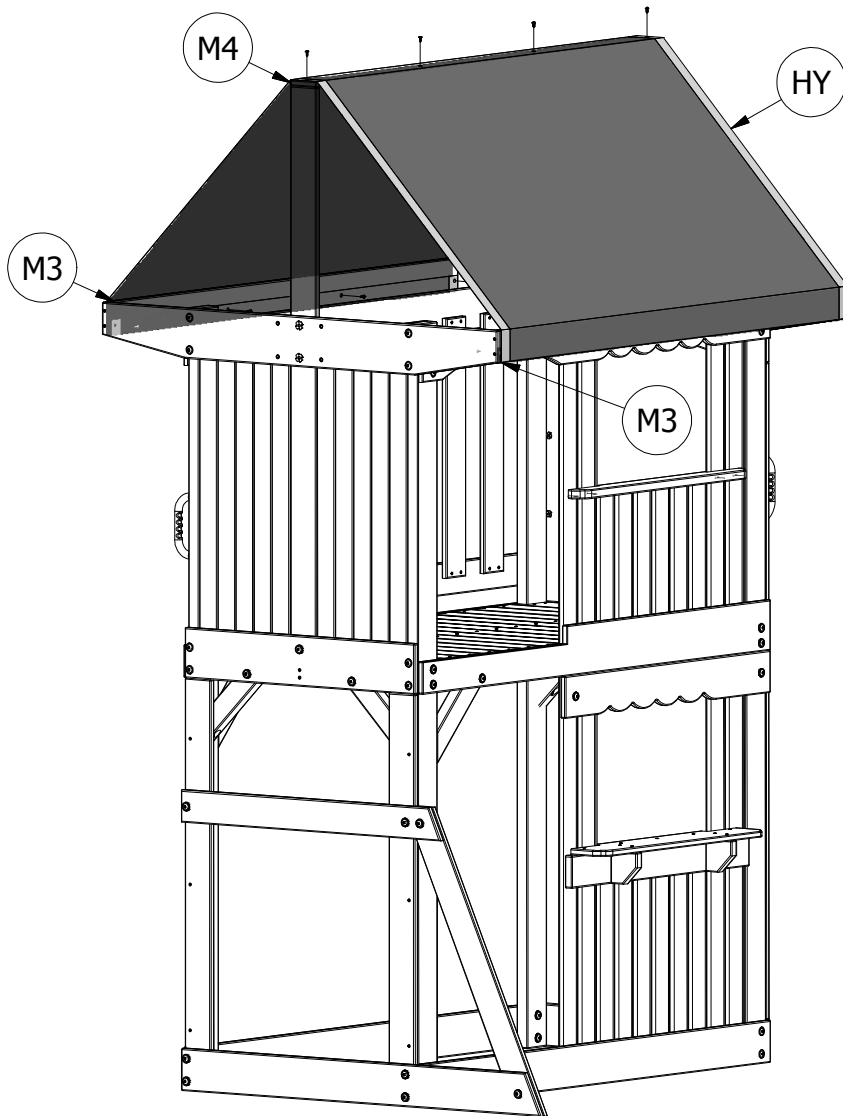
STEP 13

CENTER HY TARP OVER M4 TARP TOP SUPPORT AND ATTACH USING (4) 1/2" TAPPING SCREWS, AS SHOWN.

NEXT, DRAPE HY TARP EVENLY OVER (2) M3 TARP SUPPORTS AND WRAP UNDERNEATH AND UP THE BACK SIDE OF M3 SUPPORT APPROXIMATELY 1-13/16" FROM THE TOP AND ATTACH USING (8) 1/2" TAPPING SCREWS, AS SHOWN.



(12) SCREW
TAPPING
8x1/2





(2) **M2 - BENCH SEAT - W104044**
5/8"x3 3/8"x27 3/8" (16x86x694)



(2) **H4 - BENCH SEAT SUPPORT - W104040**
1"x3 3/8"x6 1/2" (24x86x166)



(2) **H5 - BENCH UPRIGHT - W104041**
1"x3 3/8"x11 3/4" (24x86x300)



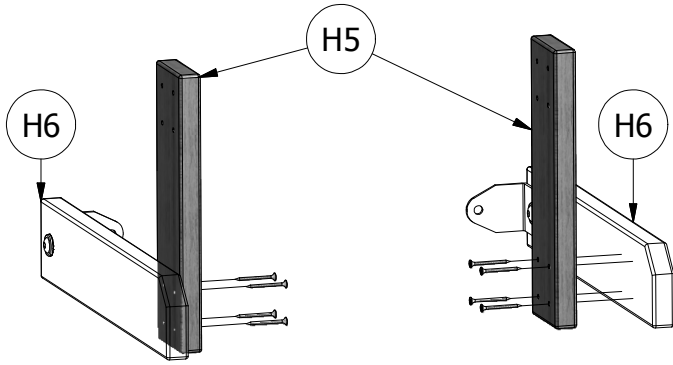
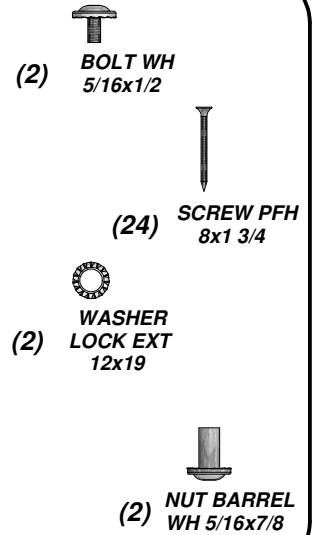
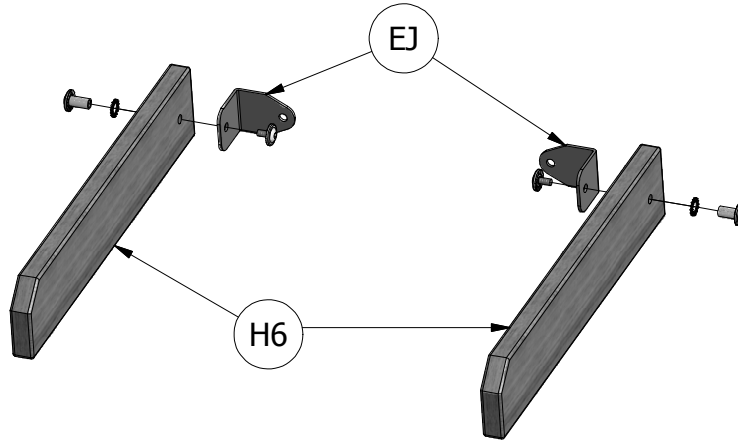
(2) **H6 - BENCH GROUND BOARD - W104042**
1"x3 3/8"x18 1/8" (24x86x460)



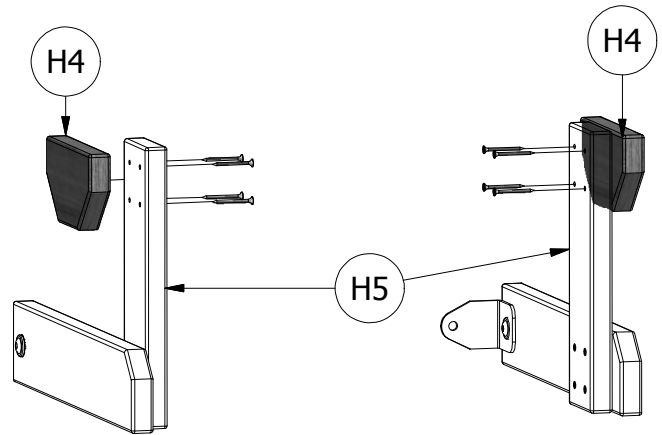
(2) **EJ - L BRACKET 54x67 - A100053**

STEP 14

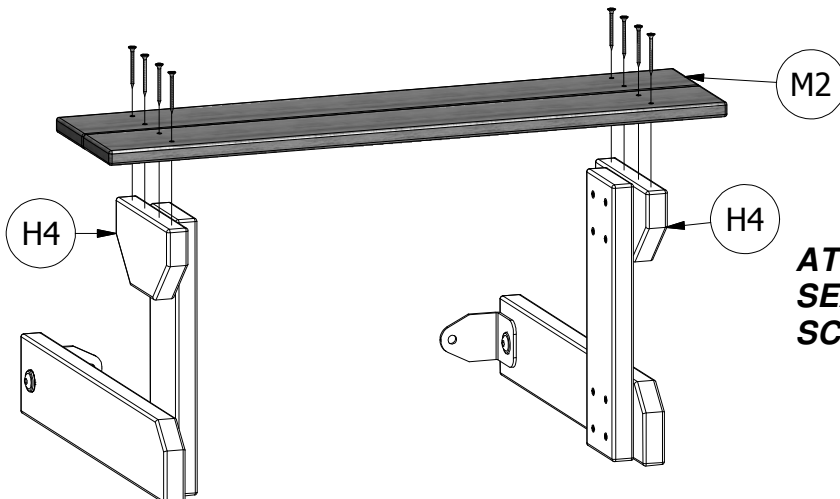
ATTACH (2) EJ BRACKETS TO H6 BENCH GROUND BOARDS USING (2) 1/2" BOLT, LOCK WASHERS AND 7/8" BARREL NUT, AS SHOWN.



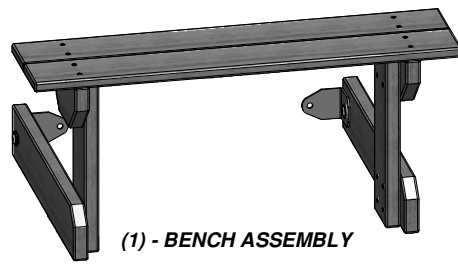
ATTACH H5 BENCH UPRIGHTS TO H6 BENCH GROUND BOARDS USING (8) 1-3/4" WOOD SCREWS, AS SHOWN.



ATTACH H4 BENCH SEAT SUPPORTS TO H5 BENCH UPRIGHTS USING (8) 1-3/4" WOOD SCREWS, AS SHOWN.



ATTACH M2 BENCH SEATS TO H4 BENCH SEAT SUPPORTS USING (8) 1-3/4" WOOD SCREWS, AS SHOWN.



(1) - BENCH ASSEMBLY

STEP 15

USING BENCH ASSEMBLY BRACKETS AS A TEMPLATE, DRILL TWO 10MM THRU HOLES AND ATTACH EJ BRACKET TO L2 GROUND BOARD USING (2) 1/2" BOLTS, LOCK WASHERS AND 5/8" BARREL NUTS, AS SHOWN.



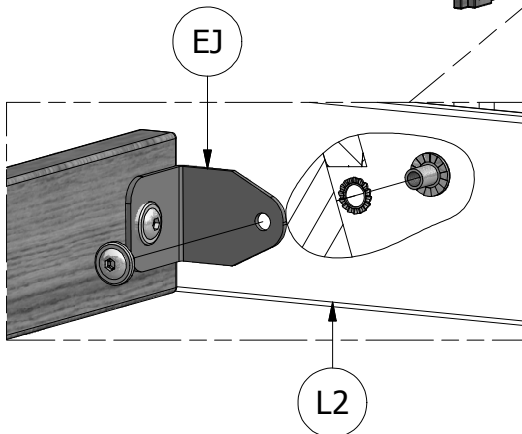
(2) BOLT WH
5/16x1/2



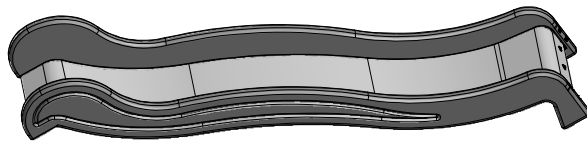
(2) WASHER
LOCK EXT
12x19



(2) NUT BARREL
WH 5/16x5/8



7 1/2" BENCH
LOCATION



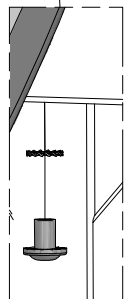
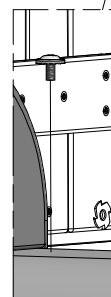
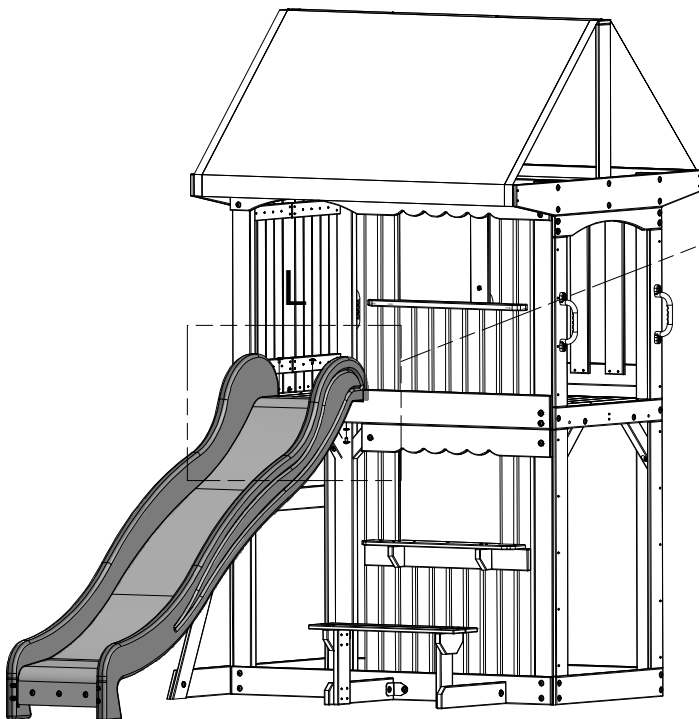
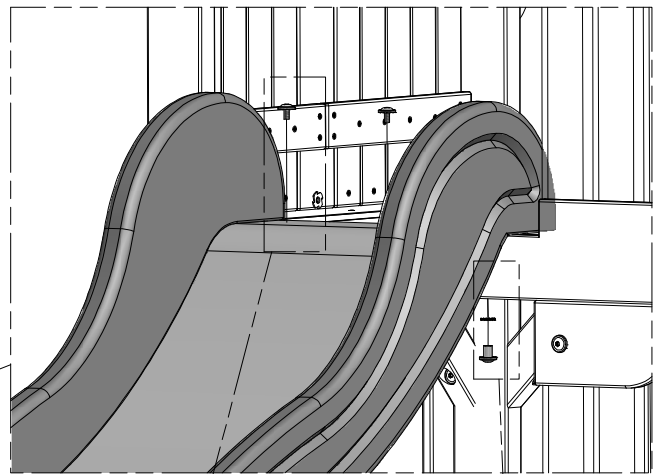
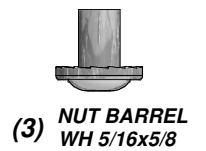
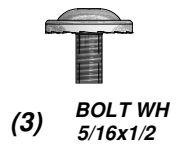
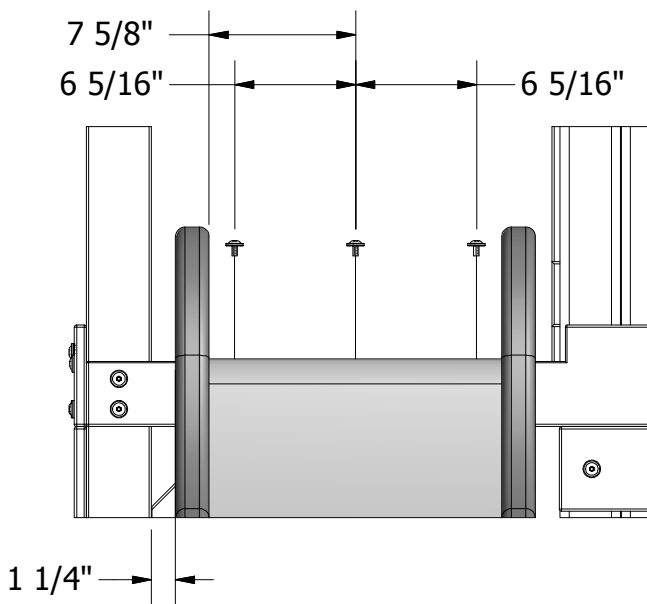
(1) - SLIDE ASSEMBLY

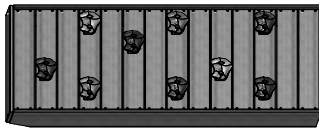
STEP 16

CENTER THE WAVE SLIDE ASSEMBLY IN OPENING, AS SHOWN.

USING A 10MM DRILL BIT, DRILL THREE THROUGH HOLES INTO THE SLIDE BED AND DECK BOARDS, AS SHOWN BELOW.

ATTACH THE SLIDE ASSEMBLY TO THE DECK USING (3) 1/2" BOLTS, LOCK WASHERS AND 5/8" BARREL NUTS, AS SHOWN.



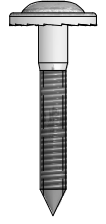
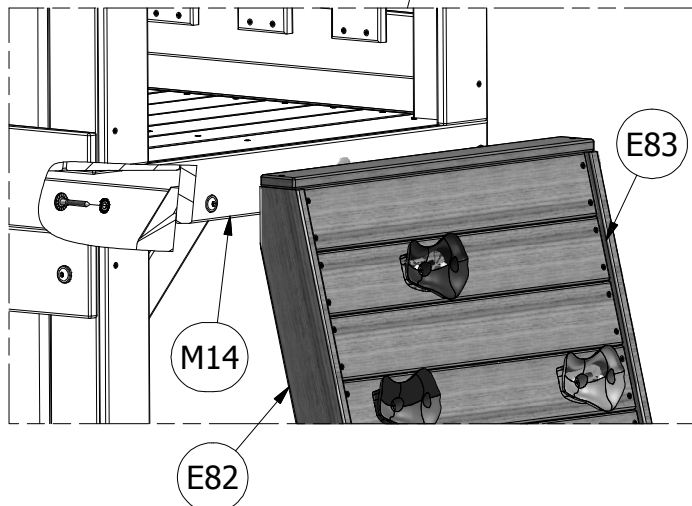
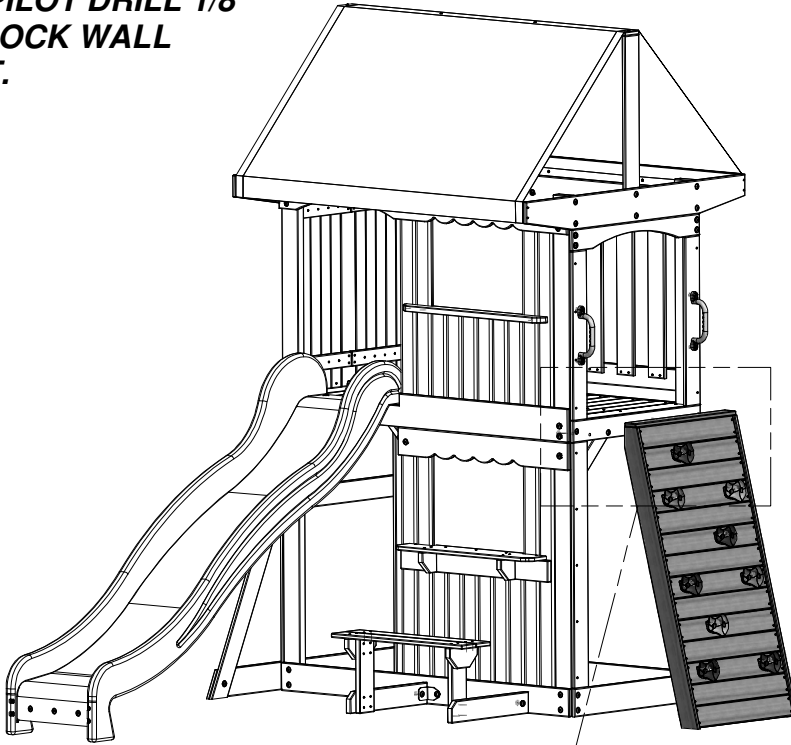


(1) - ROCK WALL ASSEMBLY

STEP 17

ATTACH THE ROCK WALL ASSEMBLY TO M14 FLOOR BOARD SUPPORT USING (2) 2" LAG SCREWS AND LOCK WASHERS, AS SHOWN.

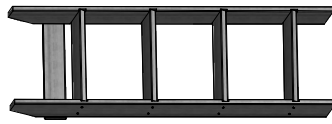
CENTER ROCK WALL ON 'M14' BOARD AND PILOT DRILL 1/8" HOLES FOR ROCK WALL ATTACHMENT.



(2) LAG SCREW
WH 5/16x2



(2) WASHER
LOCK EXT
8x19

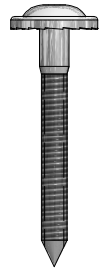


(1) - LADDER ASSEMBLY

STEP 18

ATTACH THE LADDER ASSEMBLY TO M13 FLOOR RAIL SUPPORT USING (2) 2-1/2" LAG SCREWS AND LOCK WASHERS, AS SHOWN.

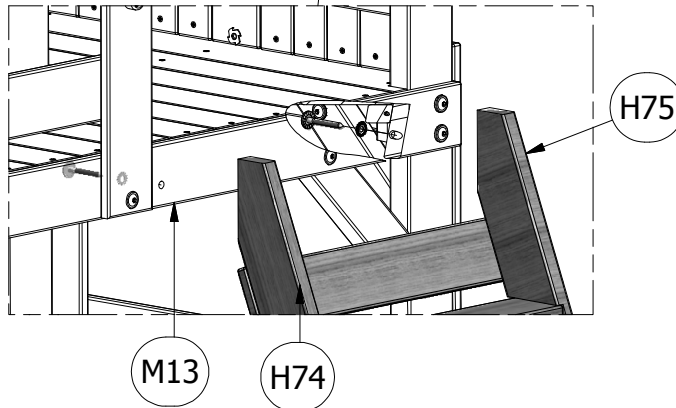
CENTER LADDER ON 'M13' BOARD AND PILOT DRILL 1/8" HOLES FOR LADDER ATTACHMENT.



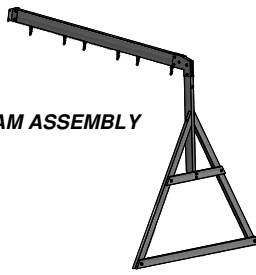
(2) LAG SCREW
WH 5/16x2 1/2



(2) WASHER
LOCK EXT
8x19



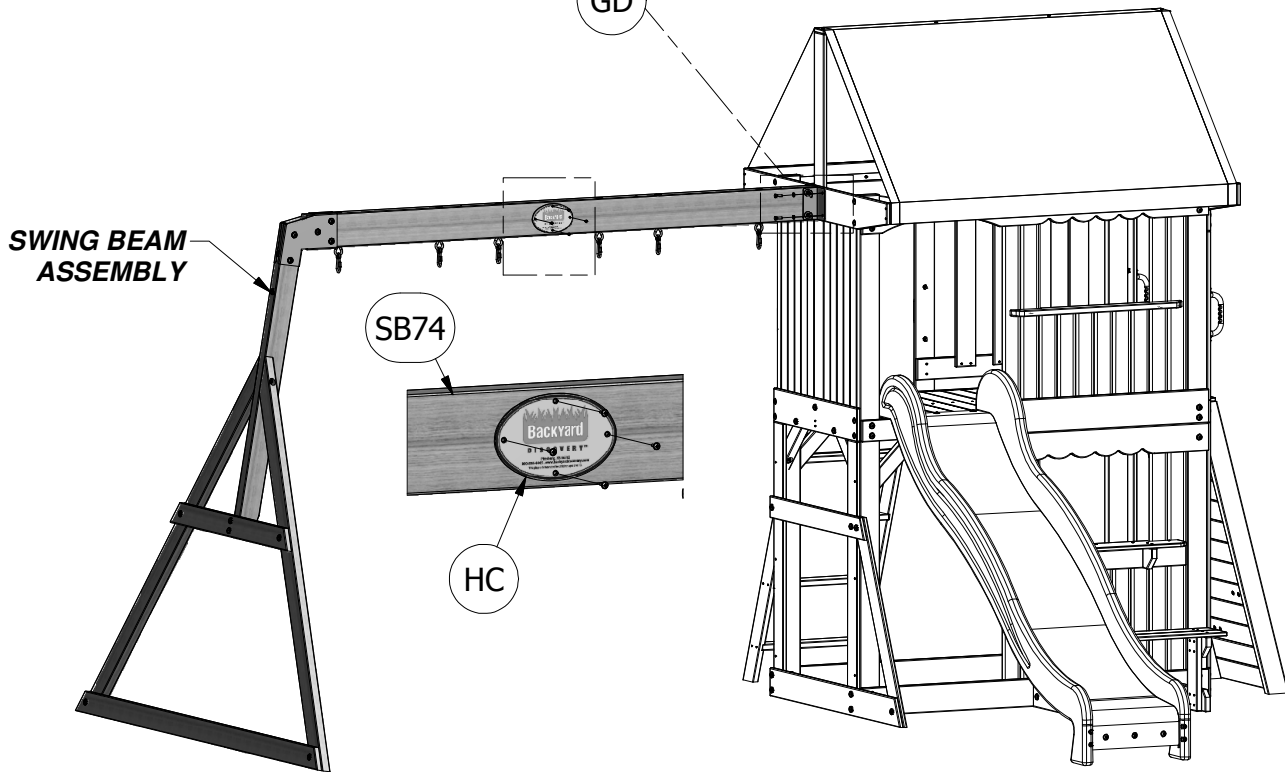
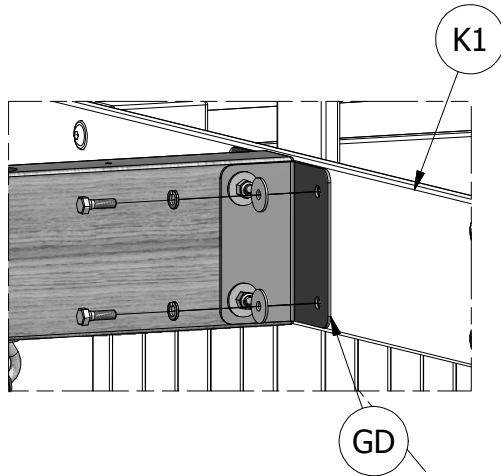
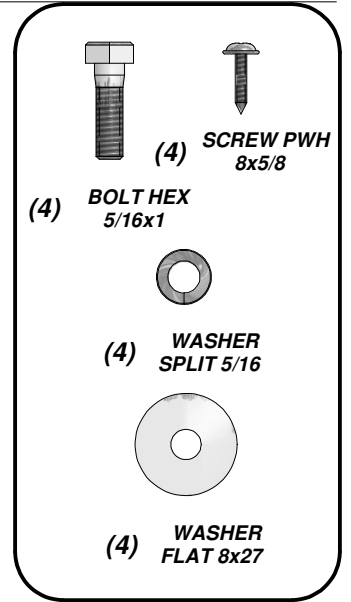
(1) - SWING BEAM ASSEMBLY



STEP 19

ATTACH SWING BEAM ASSEMBLY TO K1 ROOF SWING BEAM SUPPORT USING (4) 1" BOLTS, SPLIT WASHERS AND FLAT WASHERS, AS SHOWN BELOW.

ATTACH HC I.D. TAG TO SB74 SWING BEAM USING (4) 5/8" PFH SCREWS, AS SHOWN.

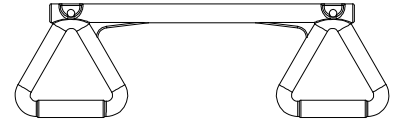




(4) EZ - CHAIN GREEN 51.25" - A100068



(2) FB - SWING SEAT YELLOW - A100070



(1) - TRAPEZE - A6P00034



(2) KN - CHAIN GREEN 31" - A100177



(6) FA - QUICK LINK - A100069

STEP 20

ATTACH FB SWING SEAT TO (2) EZ CHAINS USING (2) FA QUICK LINKS, AS SHOWN (FIG. 1). REPEAT PROCESS TO ASSEMBLE SECOND SWING ASSEMBLY. NOW, ATTACH EZ CHAINS TO SWING HANGER QUICK LINKS ALREADY ASSEMBLED TO THE SWING BEAM (FIG. 2).

ATTACH TRAPEZE TO (2) FW CHAINS USING (2) FA QUICK LINKS. (FIG. 3)

ATTACH (2) FW CHAINS TO SWING HANGER QUICKLINKS ALREADY ASSEMBLED TO THE SWING BEAM. (FIG. 4)

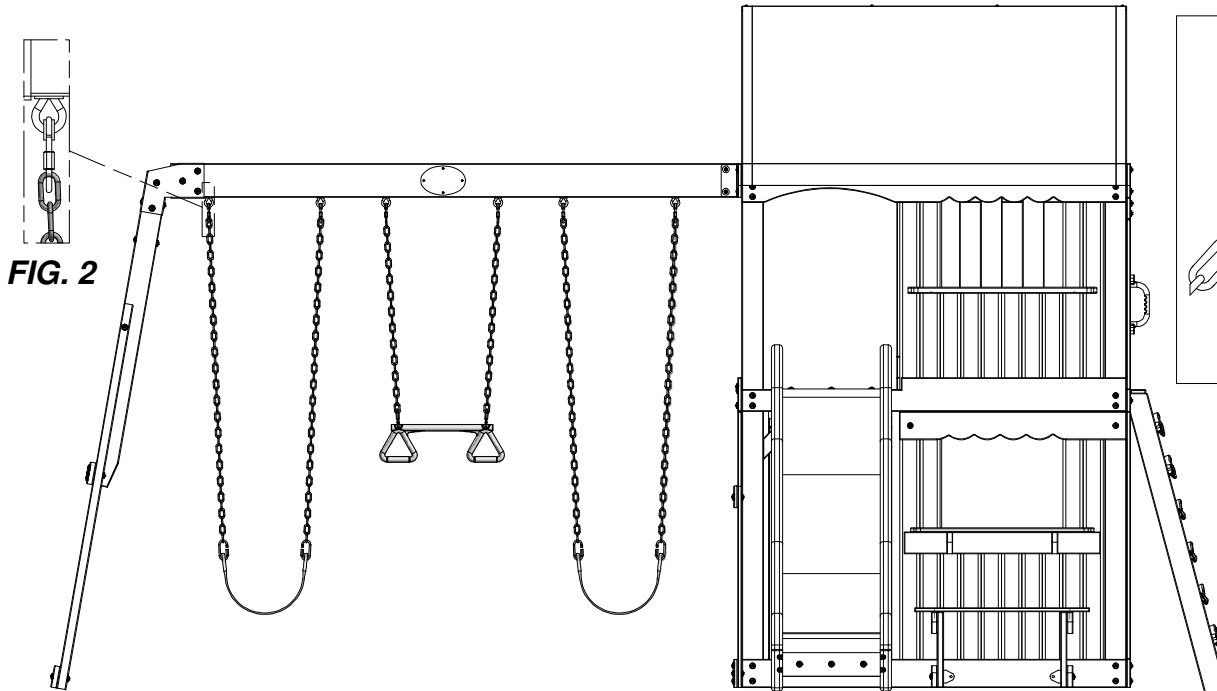


FIG. 2

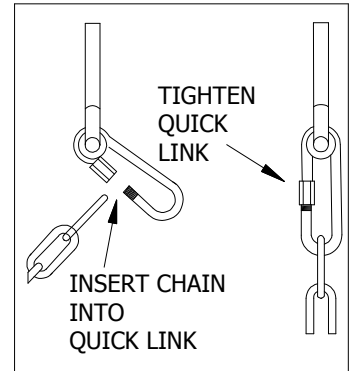


FIG. 4

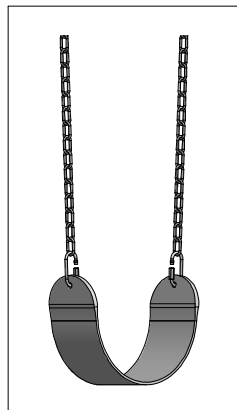


FIG. 1

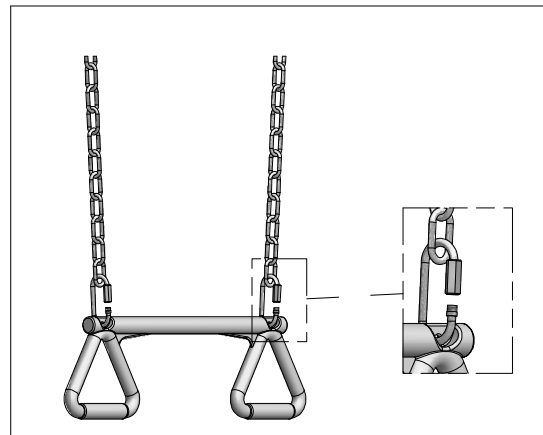


FIG. 3



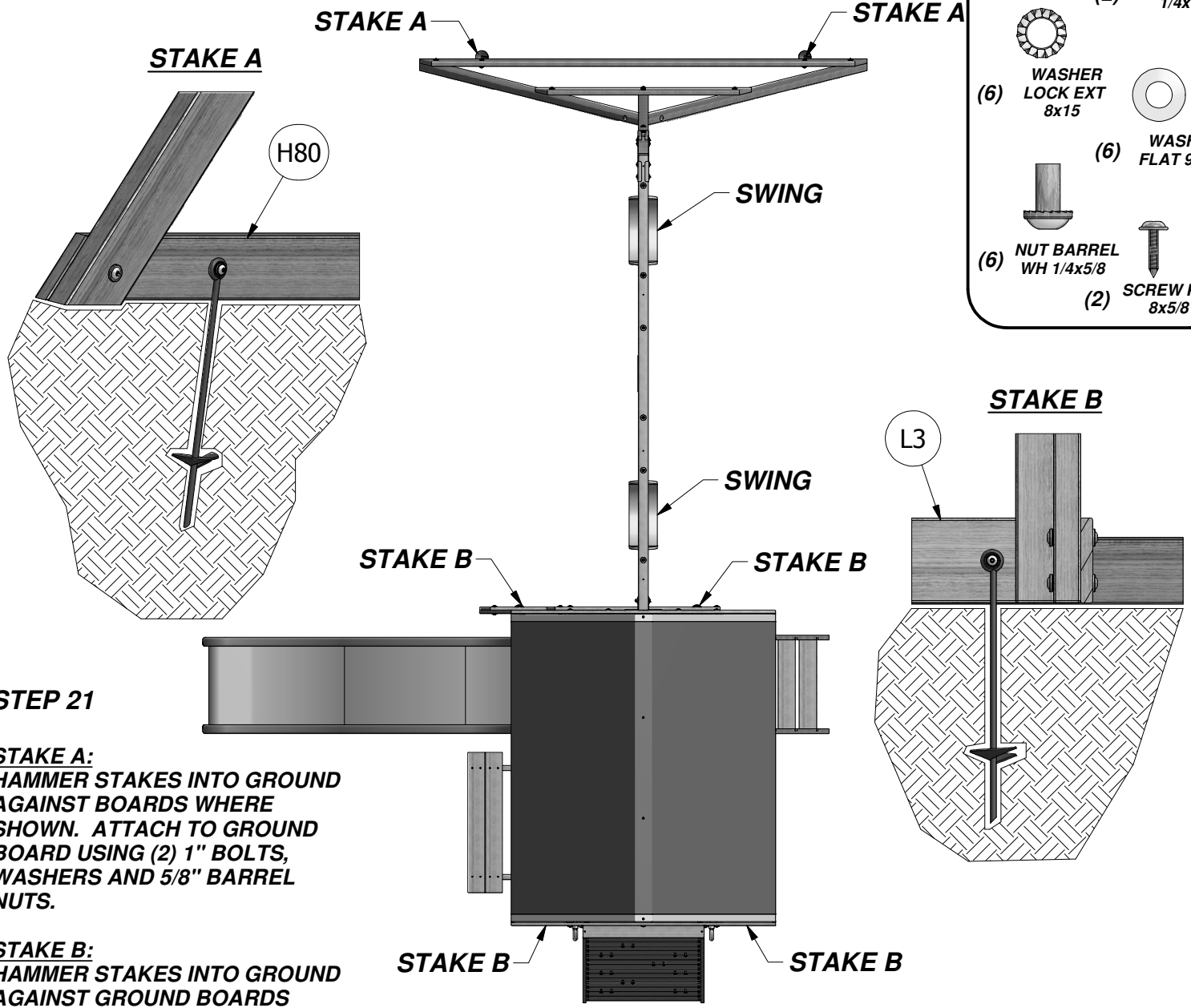
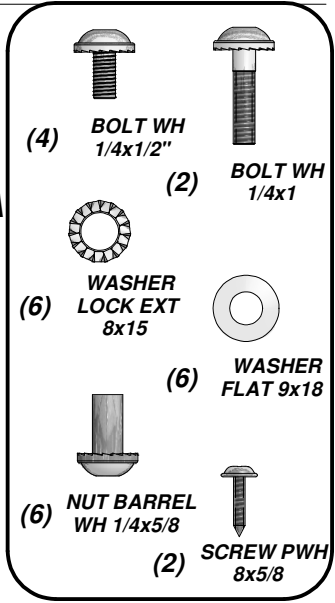
(6) KC - METAL GROUND STAKE BROWN - A100178

(1) SS - "C" REVISION TAG - A100316

ANCHORING INSTRUCTIONS

NOTE:

FAILURE TO USE GROUND STAKES CAN VOID WARRANTY & CAUSE INJURY!



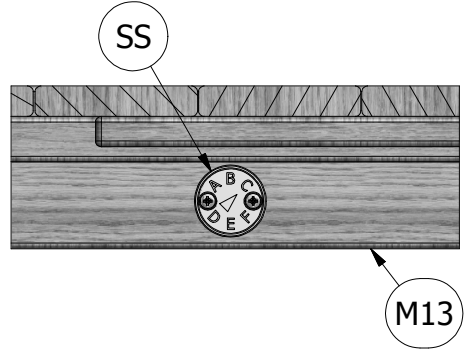
STEP 21

STAKE A:
HAMMER STAKES INTO GROUND AGAINST BOARDS WHERE SHOWN. ATTACH TO GROUND BOARD USING (2) 1" BOLTS, WASHERS AND 5/8" BARREL NUTS.

STAKE B:
HAMMER STAKES INTO GROUND AGAINST GROUND BOARDS WHERE SHOWN. ATTACH TO FORT ASSEMBLY USING (4) 1/2" BOLTS, WASHERS AND 5/8" BARREL NUTS, AS SHOWN.

STEP 22

ATTACH SS I.D.TAG TO THE INSIDE OF M13 FLOOR RAIL USING (2) 5/8" PWH SCREWS, AS SHOWN.



FINAL STEP

DOUBLE CHECK EVERY BOLT, SCREW AND NUT FOR TIGHTNESS. MAKE SURE EVERY BOARD IS SECURE AND MAKE SURE THE PLAY SET IS LEVEL.

ENJOY YOUR NEW PLAY SET!

Limited Warranty

This Limited Warranty by Backyard Discovery applies to products manufactured under the Backyard Discovery brand or its other brands including but not limited to Backyard Botanical, Adventure Playsets, and Leisure Time Products.

Backyard Discovery warrants that this product is free from defect in materials and workmanship for a period of one (1) year from the original date of purchase. This one (1) year warranty covers all parts including wood, hardware, and accessories. All wood carries a five (5) year pro-rated warranty against rot and decay. Refer to the schedule below for charges associated with replacement of parts under this Limited Warranty. In addition, Backyard Discovery will replace any parts within the first 30 days from date of purchase found to be missing from or damaged in the original packaging.

This warranty applies to the original owner and registrant and is **non-transferable**. Regular maintenance is required to assure maximum life and performance of this product and failure by the owner to maintain the product according to the maintenance requirements may void this warranty. Maintenance guidelines are provided in the Owner's Manual.

This Limited Warranty does not cover:

- Labor for any inspection
- Labor for replacement of any defective item(s)
- Incidental or consequential damages
- Cosmetic defects which do not affect performance or integrity of a part or the entire product
- Vandalism, improper use, failure due to loading or use beyond the capacities stated in the applicable Assembly Manual.
- Acts of nature including but not limited to wind, storms, hail, floods, excessive water exposure
- Improper installation including but not limited to installation on uneven, unlevel, or soft ground
- Minor twisting, warping, checking, or any other natural occurring properties of wood that do not affect performance or integrity

Backyard Discovery products have been designed for safety and quality. Any modifications made to the original product could damage the structural integrity of the unit leading to failure and possible injury. Modification voids any and all warranties and Backyard Discovery assumes no liability for any modified products or consequences resulting from failure of a modified product.

This product is warranted for RESIDENTIAL USE ONLY. Under no circumstance should a Backyard Discovery product be used in public settings. Such use may lead to product failure and potential injury. Any and all public use will void this warranty. Backyard Discovery disclaims all other representations and warranties of any kind, express or implied.

This Warranty gives you specific legal rights. You may have other rights as well which vary from state to state or province to province. This warranty excludes all consequential damages, however, some states do not allow the limitation or exclusion of consequential damages and therefore this limitation may not apply to you.

Pro Rated Part Replacement Schedule

Product Age

All Parts

0-30 days from date of purchase

31 days to 1 year

Wood Rot and Decay Only

1 year

2 years

3 years

4 years

5 years

Over 5 years

Customer Pays

\$0 and free shipping

\$0 + S&H

\$0 and free shipping

20% + S&H

40% + S&H

60% + S&H

80% + S&H

100% + S&H