

ULTRA FAUCETS

UF35110
UF35113

CUSTOMER SERVICE

TOLL-FREE 1-888-OK-ULTRA (658-5872)

<http://www.ultrafaucets.com>



Installation/Installation/Instalación

Twist Series

Single Handle Single Hole Lavatory Faucet



Tools You Will Need / Outils dont vous aurez besoin / Herramientas necesarias



Adjustable Wrench

Clé à molette

Llave ajustable



Pipe Tape

Ruban pour tuyau

Cinta selladora para rosca



Groove join pliers

Pince multiprise

Pinzas ajustables

SAFETY TIPS

- If you use soldering for the installation of the faucet, the seats, cartridges and washers will have to be removed before using flame. Otherwise, warranty will be void on those parts.
- Cover your drain to avoid losing parts.
- 0°C~55°C

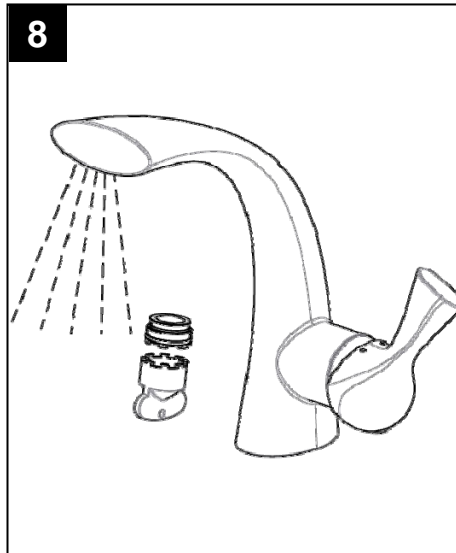
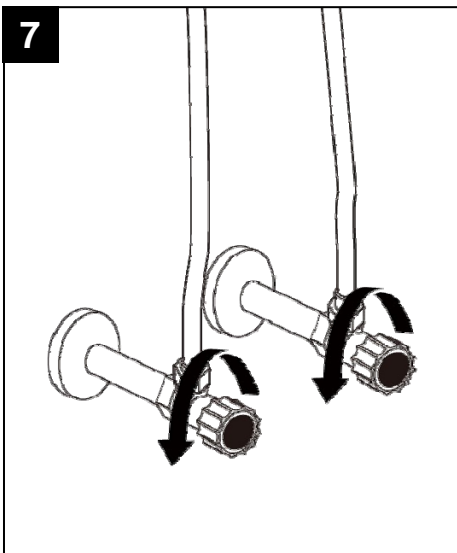
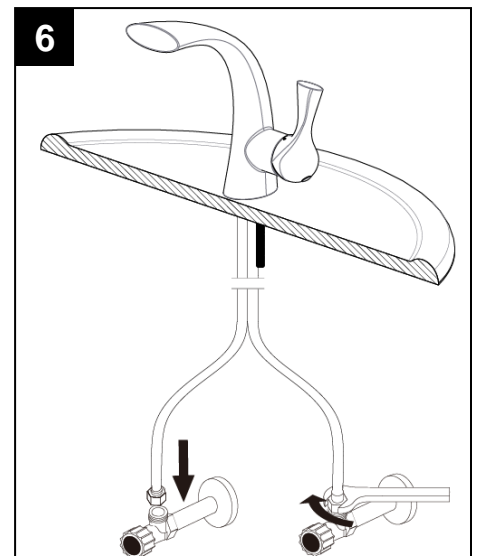
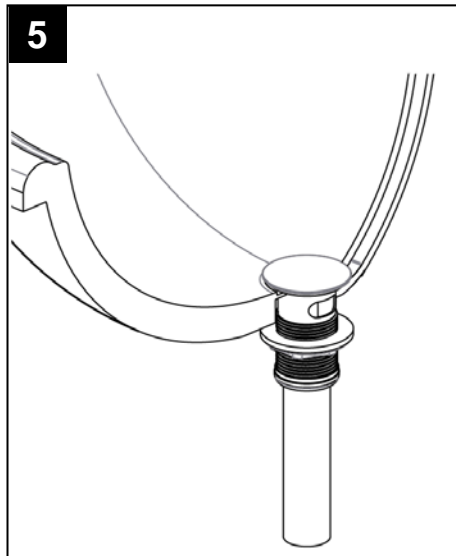
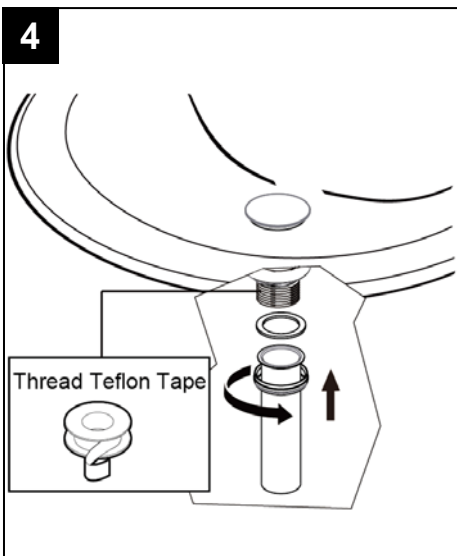
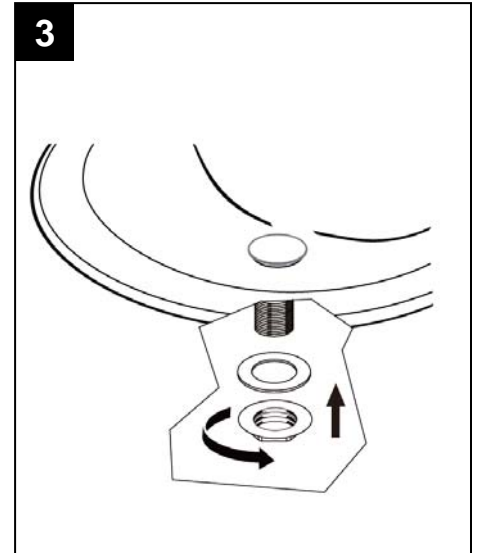
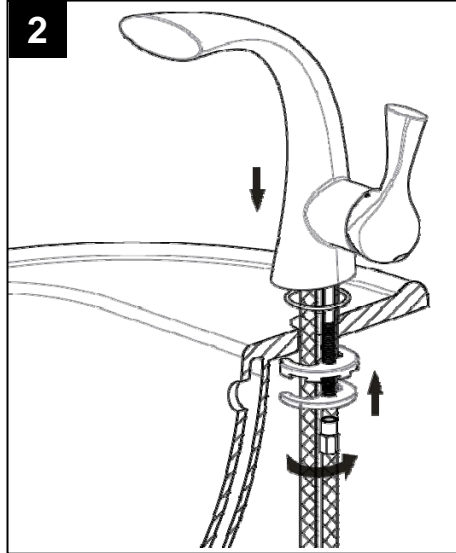
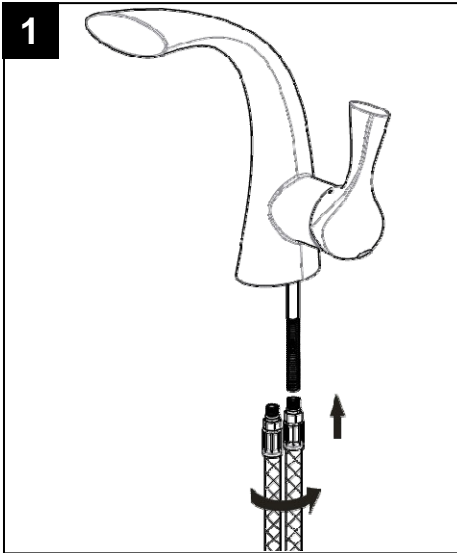
CONSIGNES DE SÉCURITÉ

- Si vous posez le robinet par brasage, il est essentiel de retirer les sièges, les cartouches et les rondelles avant d'appliquer la flamme, faute de quoi la garantie sur ces pièces sera annulée.
- Couvrez le drain pour ne pas perdre des pièces.
- 0°C~55°C

CONSEJOS DE SEGURIDAD

- En el caso de utilizar soldadura para instalar el grifo, remueva los asientos, cartuchos y arandelas antes de usar la llama. De lo contrario, se anulará la garantía para esos componentes.
- Tape la boca del desagüe para prevenir la pérdida de piezas pequeñas.
- 0°C~55°C

Installation/Installation/Instalación



Trouble-Shooting / Dépannage / Guía de solucionar

If you've followed the instructions carefully and your faucet still does not work properly, take these corrective steps.

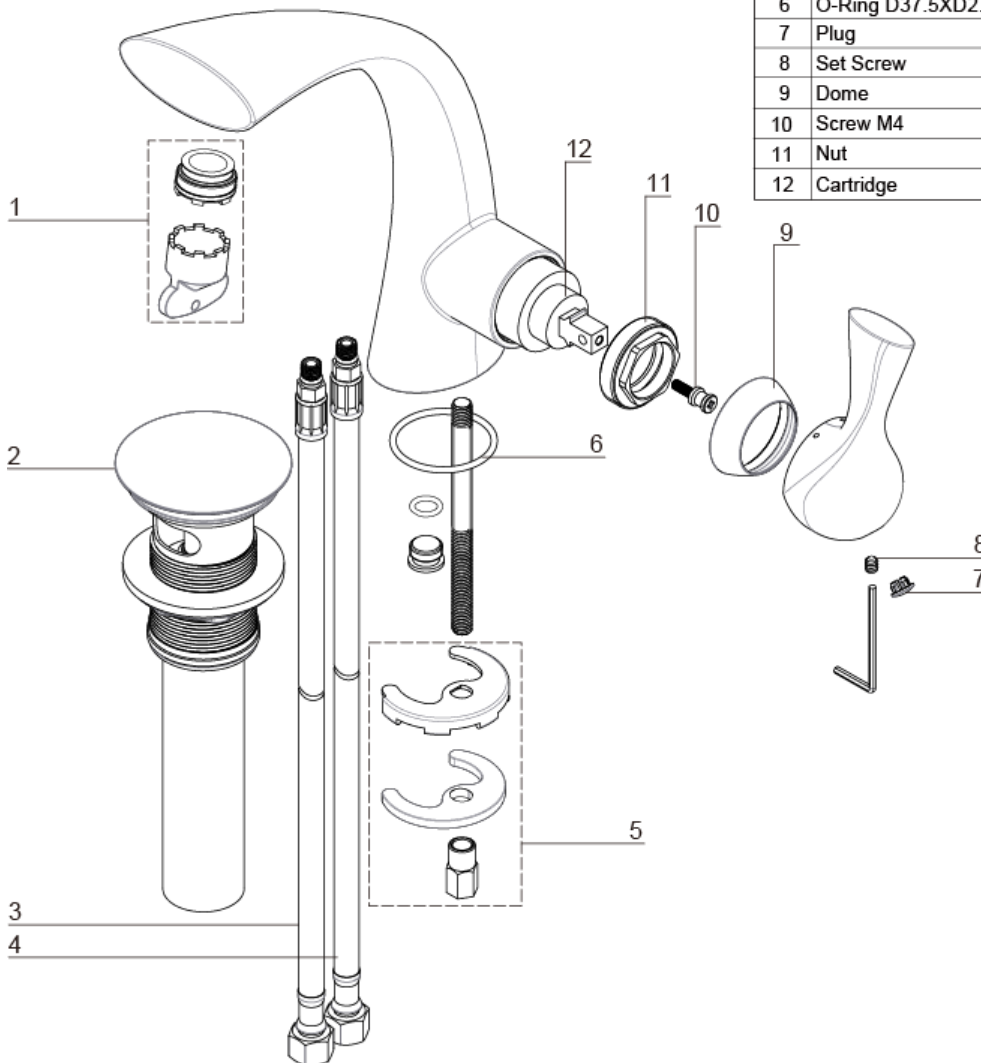
Si vous avez suivi attentivement les instructions et que votre robinet ne fonctionne toujours pas correctement, apporter les correctifs suivants.

Si usted ha seguido las instrucciones cuidadosamente y su grifo todavía no funciona correctamente, siga estos pasos correctivos.

| Problem/Problème/Problema | Cause/Cause/Causa | Action/Correctif/Solución |
|--|---|--|
| Aerator leaks or has an inconsistent water flow pattern. | Aerator is dirty or misfitted. | Unscrew aerator, remove any debris, check seating of rubber seal then re-assembly aerator. |
| Leaks under the deck. | inspect supply line, tee and flex line connections. | tighten connections where necessary. |

Replacement Parts / Pièces de rechange / Repuestos

| No. | Description | Part No. |
|-----|----------------------------------|-------------|
| 1 | Aerator & Aerator Wrench | 9Q1050PL |
| 2 | Push Drain Assembly | 5Y0M0172CP |
| 3 | Hose M8X1 (Cold) | 5G0M0022CC7 |
| 4 | Hose M8X1 (Hot) | 5G0M0019CC7 |
| 5 | Lavatory Spout Mounting Hardware | 9Q1051NT |
| 6 | O-Ring D37.5XD2.5 | 611240112 |
| 7 | Plug | 5L0P0036CP |
| 8 | Set Screw | 5T0F0149NT |
| 9 | Dome | 5L0P0120CP |
| 10 | Screw M4 | 5T0F0194NT |
| 11 | Nut | 5T1C0190NT |
| 12 | Cartridge | 5D0M0022PL |



Limited Lifetime Warranty

Ultra Faucets warrants to the original purchaser that its products will be free from defects in workmanship and materials. All Ultra Faucets are provided with a life time limited warranty. This warranty does not cover any other labor or service charges associated with the removal, repair, or reinstallation of Ultra Faucets products. This express warranty does not apply to products that have been damaged as a result of misuse, abuse, negligence, accident, faulty installation or maintenance practices and/or used in any manner contrary to those recommended by the manufacturer.

Need help? Please call our toll-free customer service line at 1-888-658-5872 for additional assistance or service.

Besoin d'aide? Veuillez communiquer avec notre service à la clientèle au numéro gratuit 1-888-658-5872 pour tous renseignements ou services complémentaires.

¿Requiere asistencia? Llame a nuestro Servicio al Cliente, sin costo, al 1-888-658-5872 para asistencia adicional o servicio.