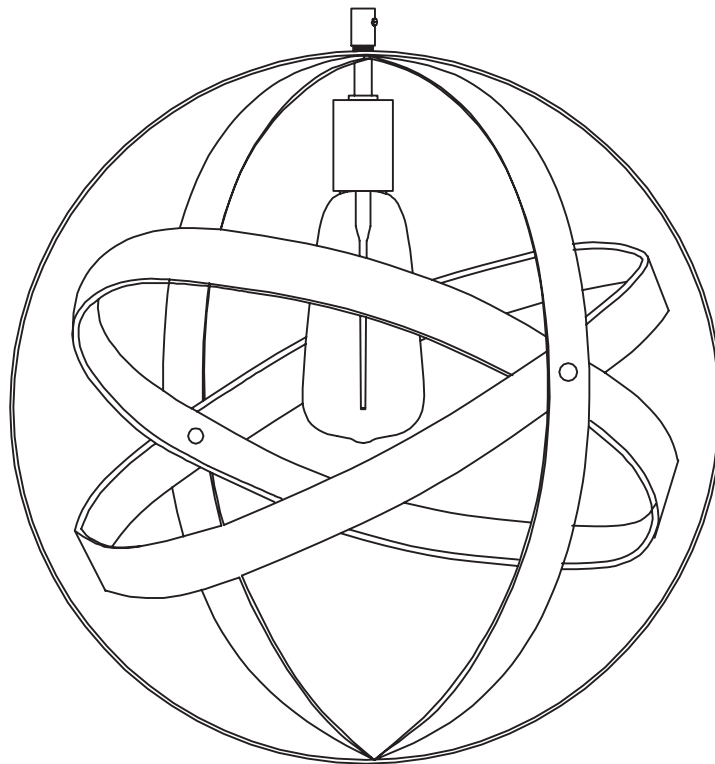


USE AND CARE GUIDE

1 LIGHT PENDANT



Questions, problems, missing parts? Before returning to the store,
call Home Decorators Collection Customer Service
8 a.m. - 7p.m., EST, Monday - Friday, 9 a.m. - 6 p.m., EST, Saturday

1-800-986-3460

HOMEDEPOT.COM/HOMEDECORATORS

THANK YOU


We appreciate the trust and confidence you have placed in Home Decorators Collection through the purchase of this light pendant. We strive to continually create quality products designed to enhance your home. Visit us online to see our full line of products available for your home improvement needs. Thank you for choosing Home Decorators Collection!

Table of Contents

Table of Contents	2	Assembly.....	5
Warranty	2	Installation	6, 7
Pre-Installation.....	3	Care & Cleaning	7
Planning installation	3	Troubleshooting	7
Tools Required	3		
Hardware Included.....	3		
Package Contents.....	4		

Safety Information

- Consult a qualified electrician with any electrical questions you may have.

 **IMPORTANT:** Inspect the wire insulation for any cuts, abrasions, or exposed copper that may have occurred during shipping. If there is a defect in the wire, do not continue the assembly process. Please call our CustomerService Team at 1-800-986-3460.

Warranty

1-YEAR LIMITED WARRANTY

WHAT IS COVERED

The manufacturer warrants this lighting fixture to be free from defects in the materials and workmanship for a period of one (1) year from date of purchase. This warranty applies only to the original consumer purchaser and only to products used in normal use. If this product is found to be defective, the manufacturer’s only obligation, and your exclusive remedy, is the repair or replacement of the product at the manufacturer’s discretion, provided that the product has not been damaged through misuse, abuse, accident, modifications, alterations, neglect or mishandling. This warranty shall not apply to any product that is found to have been improperly installed, assembled, or used in any way not in accordance with the instructions supplied with the product. This warranty shall not apply to a failure of the product as a result of an accident, misuse, abuse, negligence, alteration, faulty installation, or any other failure not relating to faulty material or workmanship.

WHAT IS NOT COVERED

This warranty shall not apply to the finish on any portion of the product due to weathering, as this is considered normal wear. The manufacturer does not warrant and specifically disclaims any warranty, whether expressed or implied, other than the warranty contained herein. The manufacturer specifically disclaims any liability and shall not be liable for any consequential or incidental loss or damage, including but not limited to, any labor or expense costs involved in the replacement or repair of the product.

Contact the Customer Service Team at 1-800-986-3460 or visit www.HOMEDEPOT.com/HOMEDECORATORS.


Pre-Installation

PLANNING INSTALLATION

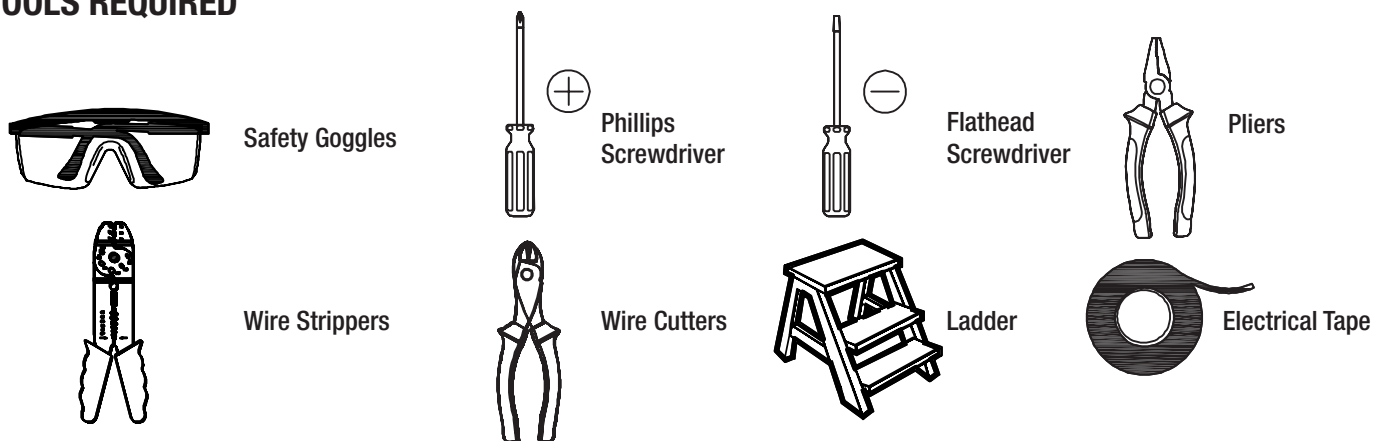
Read all instructions before assembly.

To avoid damaging this product, assemble it on a soft, non-abrasive surface such as carpet or cardboard. Inspect each part for defects that may have occurred during shipping.

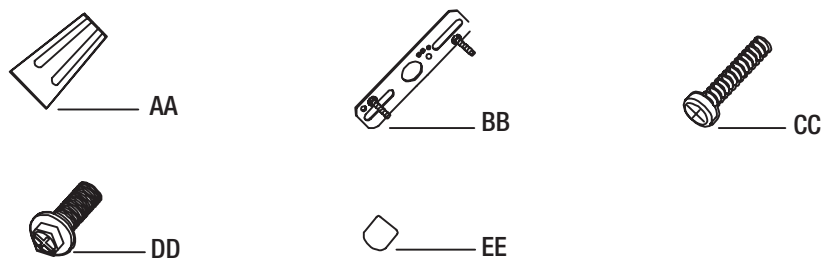
Keep your receipt and these instructions for proof of purchase.

 **NOTE:** This light fixture requires the use of one 60-Watt max, medium-base bulb (included). Do not exceed the recommended wattage.

TOOLS REQUIRED



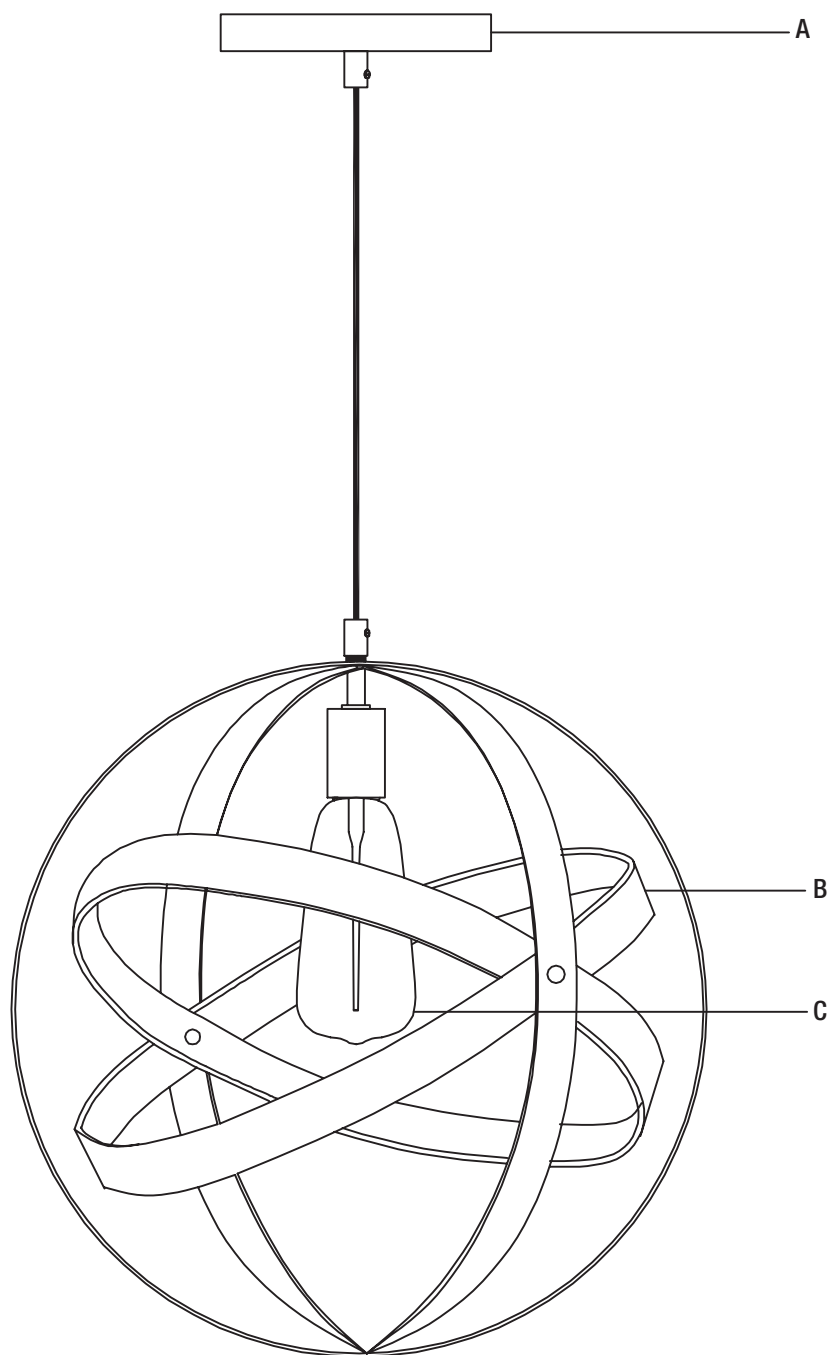
HARDWARE INCLUDED



Part	Description	Quantity
AA	Wire nut	3
BB	Cross bar	1
CC	Outlet box screw	2
DD	Ground screw	1
EE	Finial	2

Pre-Installation (continued)

PACKAGE CONTENTS

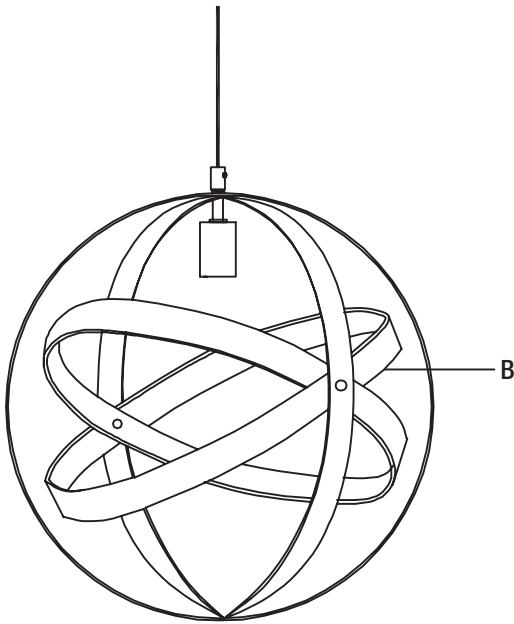


Part	Description	Quantity
A	Canopy	1
B	Fixture	1
C	Bulb	1

Assembly

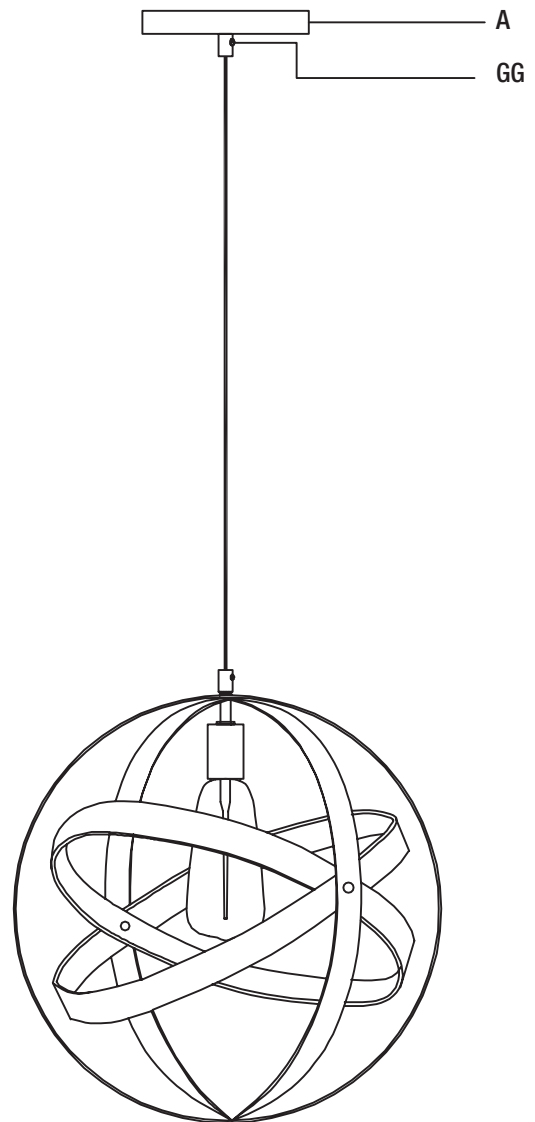
1 Assembling the light fixture

- Carefully unpack the fixture and lay out all parts on clean surface.
- The metal rings of the fixture (B) have been turned to flat for shipping. Carefully rotate them so that they are evenly spaced.
- Prior to installing the bulb, inspect the socket for a silica packet. If packet is present, remove and throw away. Do not expose it to children or pets.



2 Preparing the light fixture to hang

- Adjust the height of the fixture as desired by loosening the set screw (GG). Once the desired height is achieved, tighten the set screw (GG) and cut the excess wire above the canopy (A). Make sure to leave at least 8 in. of wire above the canopy (A) for wiring.

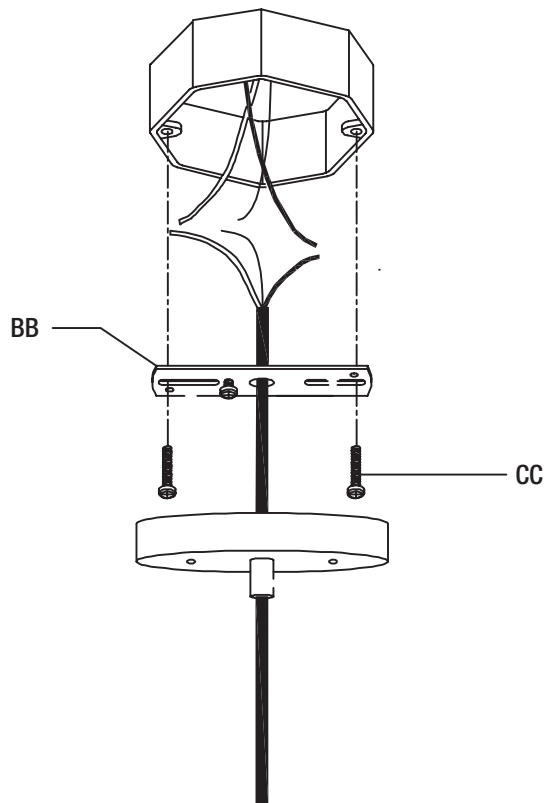


Installation

1 Installing the cross bar

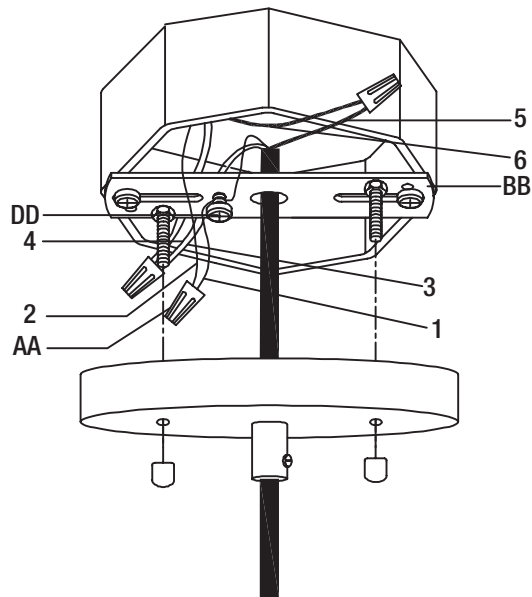
CAUTION: Ensure the power is off at the main fuse box prior to beginning installation.

- Turn off the switch at the wall.
- Turn the power off at the main fuse box.
- Attach the cross bar (BB) to the outlet box using the two outlet box screws (CC) provided.



2 Connecting the wires

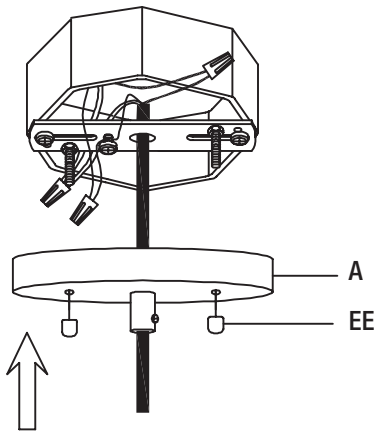
- Wrap the green ground wire (1) from the fixture around the ground screw (DD) on the cross bar (BB) and connect it to the supply ground wire (2) from the outlet box using a wire nut (AA).
- Connect the white wire (3) from the fixture to the white (or ribbed) wire (4) from the outlet box using a wire nut (AA).
- Connect the black wire (5) from the fixture to the black (or smooth) wire (6) from the outlet box using a wire nut (AA).



Installation (continued)

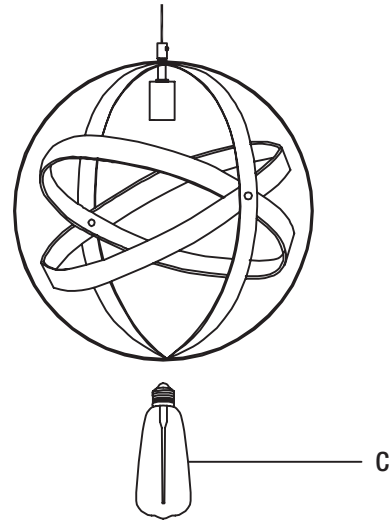
3 Hanging the light fixture

- Push all excess wires into the outlet box.
- Raise the canopy (A) to the ceiling and secure in place by screwing the two finials (EE) to the nipples of the mounting screws.



4 Installing the bulb

- Install the 60-watt max. medium-base bulb (C) (included) in the socket of the light fixture.



Care and Cleaning

- Clean the light fixture with a soft, dry cloth. Do not use any cleaners with chemicals, solvents, or harsh abrasives.

Troubleshooting

Problem	Probable Cause	Solution
The bulb will not light.	□ The bulb is burned out.	□ Replace the light bulb.
	□ The power is off.	□ Ensure that the power supply is turned on.
	□ There is a faulty wire connection.	□ Check the wiring.
	□ The circuit breaker is off.	□ Ensure that the circuit breaker is set in the on position.
The fuse blows or a circuit breaker trips when the light is turned on.	□ There is an exposed wire.	□ Discontinue use of the light fixture.
	□ There are too many items on one circuit.	□ Contact a qualified electrician or call the Customer Service Team at 1-800-986-3460.
		□ Unplug other items on the circuit.

HOME DECORATORS COLLECTION

Questions, problems, missing parts? Before returning to the store,
call Home Decorators Collection Customer Service
8 a.m. - 7p.m., EST, Monday - Friday, 9 a.m. - 6 p.m., EST, Saturday
1-800-986-3460

[HOMEDEPOT.COM/HOMEDECORATORS](https://www.homedepot.com/homedecorators)

Retain this manual for future use.