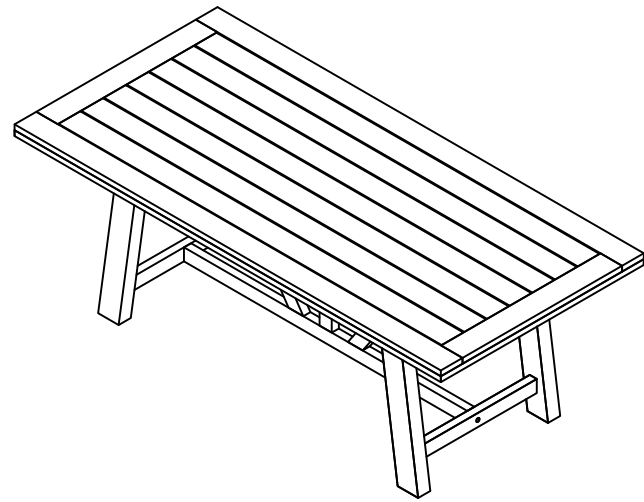


# INDO RECTANGULAR DINING TABLE



## CUSTOMER SERVICE

Call customer service at 1-866-632-1718, 9 a.m. - 4 p.m., EST, Monday - Friday, or visit [www.partsnservice.com](http://www.partsnservice.com) for 24 hour assistance.

## WARRANTY

### 2 YEAR LIMITED WARRANTY

We warrant this product to be free of manufacturing defects to the original purchaser for two years.

## CARE & CLEANING

Before using, wipe with a clean dry cloth. Sharp objects will cause damage of furniture. When not in use, store the furniture in a cool dry place.

Contact the Customer Service at 1-866-632-1718 or visit [www.partsnservice.com](http://www.partsnservice.com) for further information.

## HARDWARE CONTENTS

Note: Hardware shown not actual size.

AA



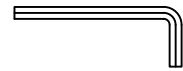
BOLT M8X80  
4 PCS

BB



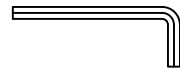
SCREW M7X90  
6 PCS

CC



ALLEN KEY 4  
2 PCS

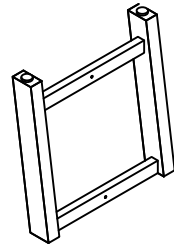
DD



ALLEN KEY 5  
1 PC

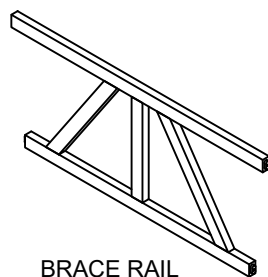
## PACKAGING CONTENTS

A



LEG FRAME  
2 PCS

B



BRACE RAIL  
1 PC

C

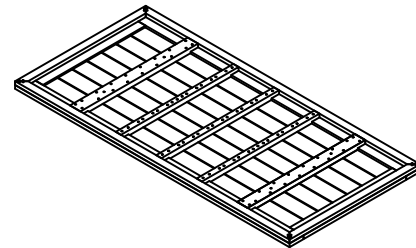
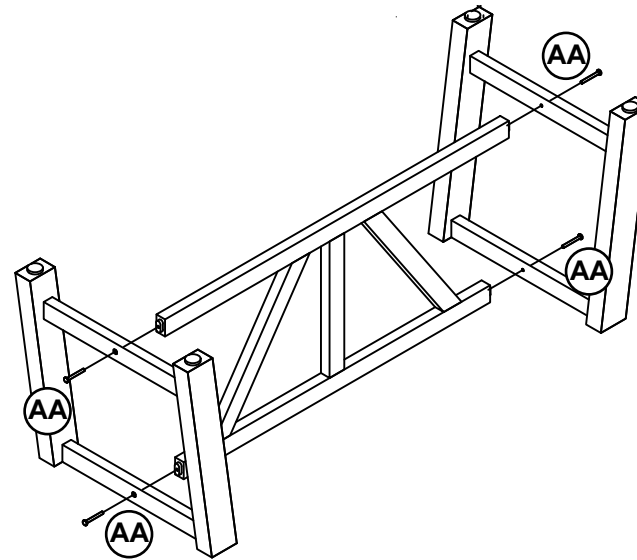


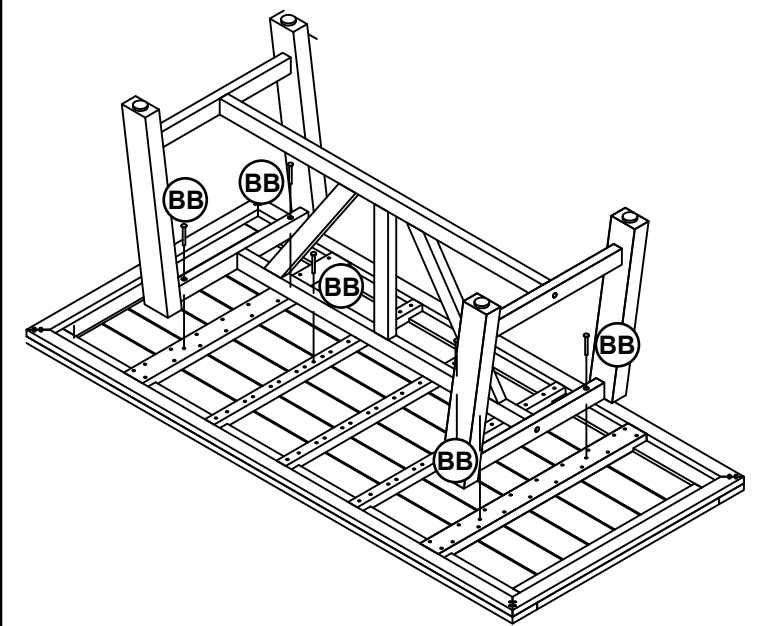
TABLE TOP  
1 PC

## ASSEMBLY STEPS

1.



2.



## THANK YOU

We appreciate the trust and confidence you have placed in your Patio Plus purchase. We strive to continually create quality products designed to enhance your home. Visit us online to see our full line of products available for your home improvement needs.

**PATIO**  
*plus*