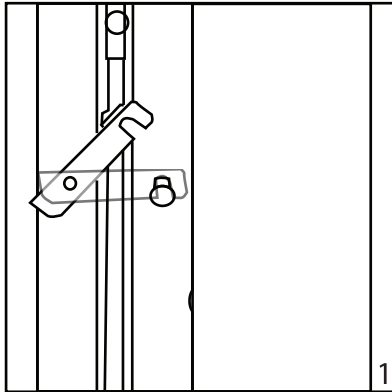
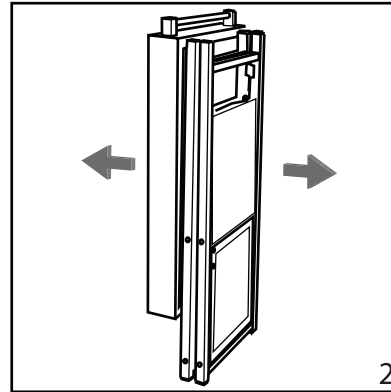


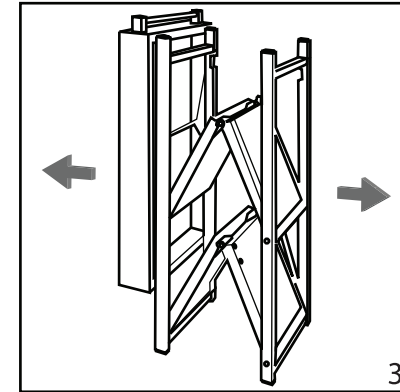
HOW TO INSTALL KITCHEN ISLAND CART



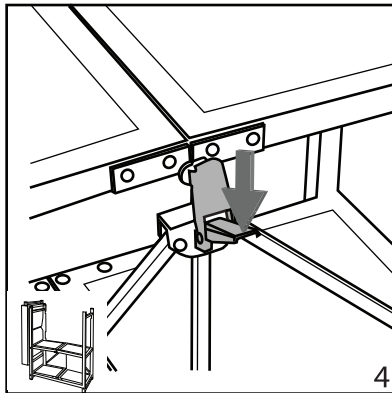
Unlock the lock



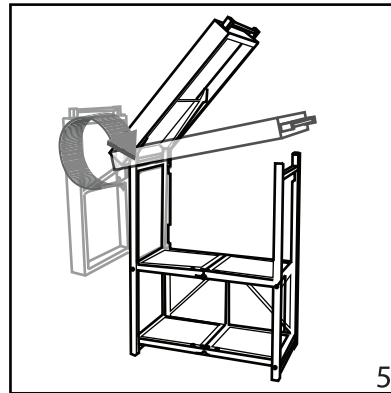
Pull the sides of the kitchen cart apart



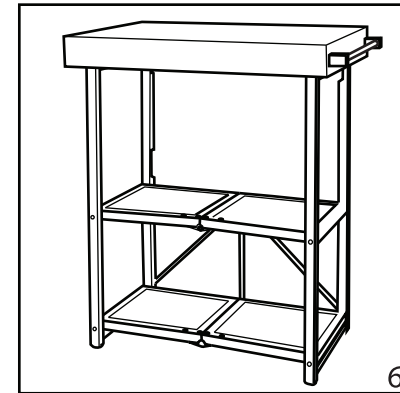
Keep pulling until fully extended



Push the lock to secure it in position

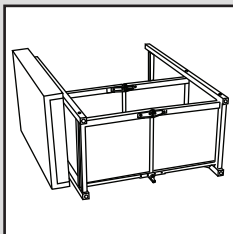


Swing the tabletop into place
NOTE: Be sure to lift the tabletop using BOTH hand

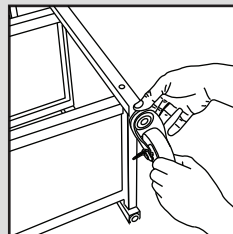


Kitchen island cart is ready to be used

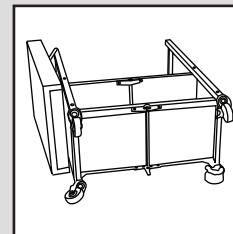
HOW TO INSTALL THE WHEEL



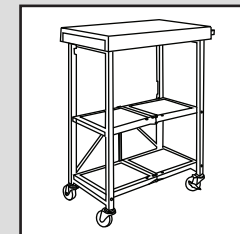
Lay the kitchen cart on the floor so that you have access to its base.



Take a wheel and screw it into one of the shelf's feet in a clockwise direction.



Repeat step 2 for the rest of the three wheels



Kitchen island cart is ready to be used.

Note: Failure to follow the instruction could result in personal injury and/or unit damage.
▲ WARNING: Pinch point can cause severe personal injury.