

# AB-WINE21DS

## Thermoelectric Wine Cooler

### OWNER'S MANUAL

*Read and save these instructions*



 **Avalon Bay**

## Discover the Difference with Avalon Bay

When value matters, Avalon Bay is ready to deliver. As a family-run business, we haven't lost sight of what really matters to our customers.

Our exclusive line of home appliances is both stylish and affordable, so you can create the homescape you desire without having to empty your wallet. Products you can rely on – that's what value means to us.

Please read this manual thoroughly and follow all instructions and safety guidelines. With proper care and maintenance, this appliance will provide you with many years of trouble-free use.

When you need help, our expert team of customer service representatives is here to offer support, answer questions, and quickly resolve any problems. Contact us today:

**1-844-528-2566**

**[support@avalonbay.com](mailto:support@avalonbay.com)**

For future reference, we recommend you attach a copy of your sales receipt below and record the following information, which is located on the manufacturer's nameplate on the rear of the unit. You will need this information if it becomes necessary to contact the manufacturer for service inquiries.

**Date of Purchase:** \_\_\_\_\_

**Serial Number:** \_\_\_\_\_

**Model Number:** \_\_\_\_\_

## Contents

---

<b>SPECIFICATIONS .....</b>	<b>4</b>
<b>IMPORTANT SAFETY INSTRUCTIONS.....</b>	<b>4</b>
<b>ELECTRICAL WARNINGS .....</b>	<b>5</b>
<b>IMPORTANT SAFETY INSTRUCTIONS.....</b>	<b>5</b>
<b>ADDITIONAL SAFETY TIPS .....</b>	<b>6</b>
<b>GETTING TO KNOW YOUR WINE COOLER .....</b>	<b>6</b>
<b>FEATURES .....</b>	<b>6</b>
<b>LIST OF MAIN PARTS .....</b>	<b>7</b>
<b>ASSEMBLY &amp; INSTALLATION .....</b>	<b>8</b>
<b>HANDLE ASSEMBLY .....</b>	<b>9</b>
<b>INSTALLATION .....</b>	<b>9</b>
<b>OPERATING INSTRUCTIONS .....</b>	<b>9</b>
<b>HOW TO SET THE TEMPERATURE .....</b>	<b>10</b>
<b>CLEANING &amp; MAINTENANCE.....</b>	<b>11</b>
<b>CLEANING YOUR WINE COOLER .....</b>	<b>11</b>
<b>MOVING YOUR WINE COOLER .....</b>	<b>11</b>
<b>DISPOSAL .....</b>	<b>11</b>
<b>DETAILED PARTS DIAGRAM .....</b>	<b>12</b>
<b>ELECTRICAL DIAGRAM.....</b>	<b>13</b>
<b>TROUBLESHOOTING .....</b>	<b>14</b>
<b>LIMITED MANUFACTURER’S WARRANTY.....</b>	<b>16</b>

## Specifications

<b>MODEL NO.</b>	AB-WINE21DS
<b>RATED VOLTAGE:</b>	100-127V / 60Hz
<b>CURRENT:</b>	1.8 A (77°F/25°C)
<b>POWER CONSUMPTION:</b>	140 watts
<b>STORAGE CAPACITY:</b>	21 bottles
<b>TEMPERATURE RANGE:</b>	Lower zone: 51 - 64°F (11 - 18°C) Upper zone: 44 - 64°F (7-18°C)

## IMPORTANT SAFETY INSTRUCTIONS



Your safety and the safety of others are very important. We have provided many important safety messages in this manual regarding your appliance. Please read and obey all safety messages. Serious injury or even death can occur if these instructions are not carefully followed.

### **DANGER: Risk of Child Entrapment**

Junked or abandoned appliances are dangerous. Before you throw away your old wine refrigerator, take off the door, but leave the shelves in place so that children may not easily climb inside. Never allow children to operate, play with or crawl inside the appliance.

### **Electrical Warnings**

Improper use of the grounded plug can result in electrical shock. If the power cord is damaged, please contact customer service.



- This unit should be properly grounded for your safety. The power cord of this appliance is equipped with a three-prong plug, which is compatible with standard three prong wall outlets to minimize the possibility of electric shock.
- This appliance requires a standard 100-127 volt, 60Hz electrical outlet with a three-prong ground.
- Plug the wine cooler into a dedicated, grounded wall outlet. Do not, under any circumstances, remove the third (grounded) prong from the power cord. Direct any questions concerning power and/or grounding to a certified electrician.

## **IMPORTANT SAFETY INSTRUCTIONS**

- Do not operate this appliance if it has a damaged cord.
- If the power cord is damaged, it must be replaced by the manufacturer, its service agent, or a similarly qualified person in order to avoid a hazard.
- Only connect the wine cooler to a properly polarized outlet. No other appliance should be plugged into the same outlet. Make sure the plug is fully inserted into the receptacle.
- Do not run the power cord over carpeting or heat insulators. Do not cover the cord. Keep the cord away from high traffic areas and never submerge it in water.

### **Additional Safety Tips**

---

- Never clean appliance parts with flammable fluids. The fumes can create a fire hazard or explosion.

- Do not store or use gasoline or any other flammable vapors and liquids in the vicinity of this or any other appliance. The fumes can create a fire hazard or explosion.
- Do not store explosive substances such as aerosol cans with a flammable propellant in this appliance.
- Do not store food in this wine refrigerator, as the interior temperature may not get cold enough to prevent spoilage.
- This appliance is not intended for use by persons (including children) with reduced physical sensory or mental capabilities, or lack of experience and knowledge, unless they have been given supervision or instruction concerning use of the appliance by a person responsible for their safety.

## GETTING TO KNOW YOUR WINE COOLER

### Features

---

- Holds up to 21 bottles of wine.
- Can age favorite vintages at ideal storage temperatures.
- External LED display and digital control panel provide easy monitoring.
- Two storage compartments let you keep red and white wines at separate temperatures.
- Set interior temperatures between 44° and 64°F for perfect storage or serving temperatures.
- Thermoelectric cooling system is quiet and vibration free.
- Remove shelves to accommodate larger bottles

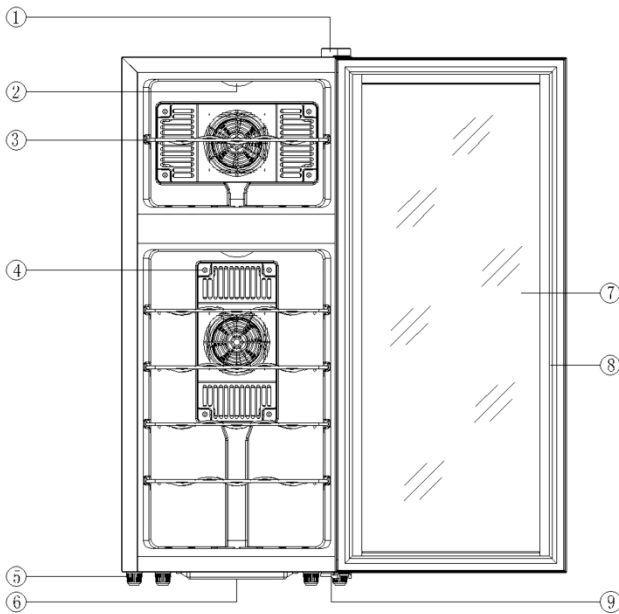
This appliance is intended to be used in household and similar applications such as:

*[www.avalon-bay.com](http://www.avalon-bay.com)*

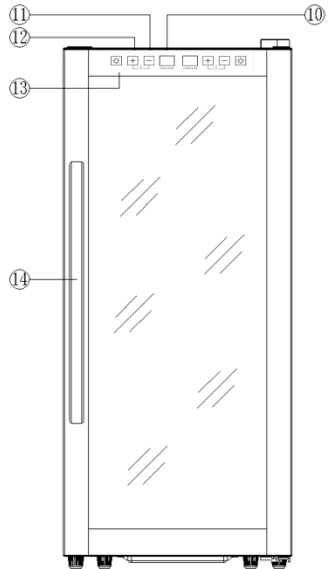
- Staff kitchen areas in shops, offices and other working environments.
- Farm houses and by clients in hotels, motels and other residential type environments.
- Bed and breakfast type environments.
- Catering and similar non-retail applications.

## List of Main Parts

---



1. HINGE
2. LIGHT
3. SHELF
4. FAN MASK
5. FOOT
6. WATER TRAY
7. GLASS
8. DOOR SEAL
9. LOWER HINGE
10. LED DISPLAY
11. TEMPERATURE DOWN
12. TEMPERATURE UP
13. LIGHT
14. HANDLE



## ASSEMBLY & INSTALLATION

Remove the exterior and interior packaging. Check to ensure all parts are included:

- 6 shelves
- 1 handle with 2 screws
- 1 owner's manual

If any parts are missing, please contact the dealer where you purchased the unit or Avalon Bay customer service.



## Handle Assembly

---

Before installation, attach the handle to the front of the unit with the included screws. It may be necessary to push aside the rubber seal on the inside of the door to reveal the screw holes. Avoid over-tightening the screws, or you may cause damage to the unit.

## Installation

---

1. Clean the interior surface with lukewarm water, using a soft cloth.
2. Place your wine cooler on a surface that is strong enough to support the appliance when it is fully loaded. To level your cooler, adjust the front legs at the bottom of the appliance.
3. For proper ventilation, allow at least a 2-inch clearance between the back of the unit and any adjacent walls
4. For best results, install away from direct sunlight and sources of heat (stove, heater, radiator, etc.). Direct sunlight may affect the acrylic coating and heat sources may increase electrical consumption. Extreme cold or hot ambient temperatures may also cause the cooler not to perform properly.
5. This cooler is not designed for placement in attic or basement. The appliance is for indoor use only.

## OPERATING INSTRUCTIONS

It is recommended that you install the wine cooler in a place where the ambient temperature is between 50- 80°F (10-26°C). If the ambient temperature is above or below the recommended temperatures, the performance of the unit may be affected. For example, placing it in extreme cold or hot conditions may cause interior temperature to

fluctuate. The desired range of 44-64°F/51-64°F(7-18°C/11-18°C) may not be reached.

The temperature may fluctuate depending on whether or not the interior light is on or off or whether the bottles are located on the upper, middle or lower section.

## **How to Set the Temperature**

---

There are three touch-buttons on the control panel:



Increase set temperature by 1°F



Decrease set temperature by 1°F



Turns on or off the interior light

The top compartment has a cooling range of 44-64°F (7-18°C).

The lower compartment has a cooling range of 51-64°F (11-18°C).

This product will provide maximum cooling of 18 degrees below the external temperature. When the external temperature is at 77°F (25°C) or less, this unit can maintain an interior temperature range between 44-64°F/51-64°F(7-18°C/11-18°C).

## CLEANING & MAINTENANCE

### Cleaning your wine cooler

---

1. Unplug the wine cooler and remove the bottles.
2. Wash the inside with a solution of warm water and baking soda. The solution should be about 2 tablespoons of baking soda to a quart of water.
3. The outside of wine cooler should be cleaned with mild detergent and warm water.
4. Draw out the water box at the bottom, and wash.

### Moving your wine cooler

---

1. Remove all the bottles.
2. Securely tape down all loose items inside your wine cooler.
3. Turn the leveling legs up to the base to avoid damage.
4. Tape the door closed.
5. Be sure the wine cooler stays in the upright position during transportation.

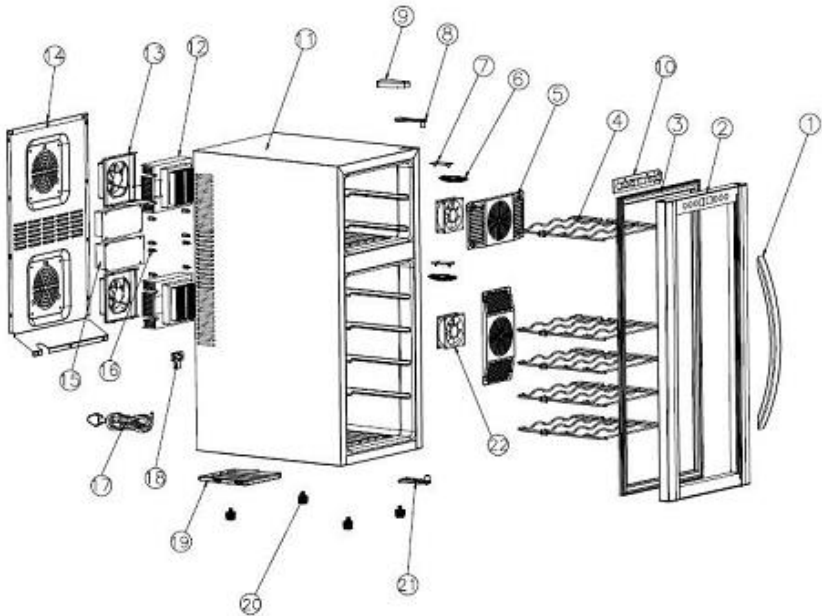
### Disposal

---

Do not dispose of this product as unsorted municipal waste. Such waste must be collected for special treatment. Take the cabinet to a recycling plant.

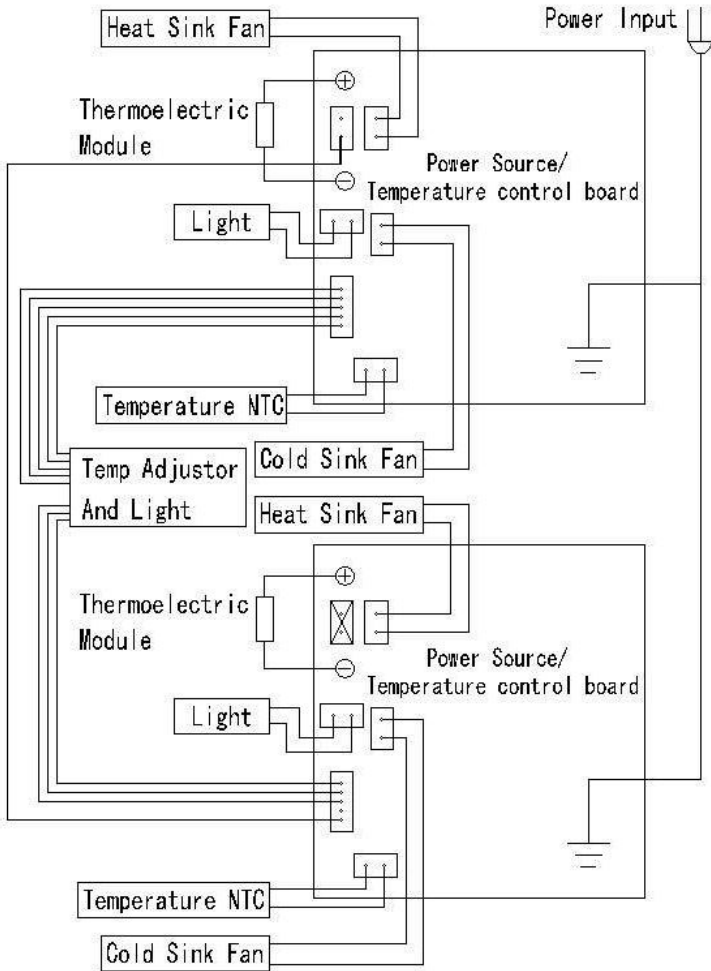
Please remove the door before you dispose of your refrigerator.

## DETAILED PARTS DIAGRAM



- |                     |                               |                         |
|---------------------|-------------------------------|-------------------------|
| 1. Handle           | 9. Upper door hinge cover     | 15. Power control board |
| 2. Door             | 10. Temperature control board | 16. Plastic screw       |
| 3. Door gasket      | 11. Foaming cabinet           | 17. Power cord          |
| 4. Shelf            | 12. Cooling system            | 18. Power cord clip     |
| 5. Cooling fan mask | 13. Exhaust fan               | 19. Condensation tray   |
| 6. Lamp cover       | 14. Rear panel                | 20. Feet                |
| 7. Light            |                               | 21. Lower door hinge    |
| 8. Upper door hinge |                               | 22. Cooling fan         |

## Electrical Diagram



## Electrocircuit Line Diagram

## TROUBLESHOOTING

PROBLEM	POSSIBLE CAUSE	SOLUTION
<b>Wine cooler does not operate.</b>	The circuit breaker has been tripped or a fuse has blown.	Reset the circuit breaker or check for a broken fuse.
	The ambient temperature is too warm.	Lower the cooler's temperature setting.
<b>Wine cooler is not cold enough.</b>	The door is open too often.	Open the door less frequently.
	The door is left ajar.	Make sure the door gets closed all the way.
	The door gasket is worn and no longer seals the door properly.	Replace the gasket on the door. Replacements are available from the manufacturer.
	The cooler does not have the correct clearance for proper ventilation.	Make sure there are at least 2 inches between the back of the unit and any adjacent walls.
	<b>The light does not work.</b>	There may be a problem with the display board.
<b>The cooler vibrates while operating.</b>	The cooler is not sitting on a level floor.	Make sure the cooler is installed on a flat, sturdy floor.
	The unit's feet are not correctly installed.	Check the feet to make sure they are installed correctly on the bottom of the unit.
<b>The wine cooler seems to make</b>	The wine refrigerator is not level.	See above.

<b>PROBLEM</b>	<b>POSSIBLE CAUSE</b>	<b>SOLUTION</b>
<b>too much noise</b>	Something is blocking the fan blades.	Check the fan to make sure there is no debris or obstruction. If not, contact the manufacturer.
<b>The door will not close properly.</b>	The wine refrigerator is not level.	See above.
	The door is not properly installed.	Check the door hinges to make sure they are properly aligned.
	The gasket sealing the door is dirty or worn out.	Clean the gasket with warm, soapy water. If necessary, replace the gasket on the door. Replacements can be acquired from the manufacturer.
	The shelves are out of position.	Make sure the shelves slide all the way into the unit.
<b>LED display does not work, or it shows an error.</b>	There may be a problem with the main control board.	Contact the manufacturer.

## LIMITED MANUFACTURER'S WARRANTY

This appliance is covered by a limited manufacturer's warranty. For one year from the original date of purchase, the manufacturer will repair or replace any parts of this appliance that prove to be defective in materials and workmanship, provided the appliance has been used under normal operating conditions as intended by the manufacturer.

*[www.avalon-bay.com](http://www.avalon-bay.com)*

**Warranty Terms:**

During the first year, any components of this appliance found to be defective due to materials or workmanship will be repaired or replaced, at the manufacturer's discretion, at no charge to the original purchaser. The purchaser will be responsible for any removal or transportation costs.

**Warranty Exclusions:**

The warranty will not apply if damage is caused by any of the following:

- Power failure.
- Damage in transit or when moving the appliance.
- Improper power supply such as low voltage, defective household wiring or inadequate fuses.
- Accident, alteration, misuse or abuse of the appliance such as using non-approved accessories, inadequate air circulation in the room or abnormal operating conditions (extreme temperatures).
- Use in commercial or industrial applications.
- Fire, water damage, theft, war, riot, hostility or acts of God such as hurricanes, floods, etc.
- Use of force or damage caused by external influences.
- Partially or completely dismantled appliances.

**Obtaining Service:**

When making a warranty claim, please have the original bill of purchase with purchase date available. Once confirmed it has been confirmed that your appliance is eligible for warranty service, all repairs will be performed by an Avalon Bay authorized repair facility. The purchaser will be responsible for any removal or transportation costs. Replacement parts and/or units will be new, re-manufactured or refurbished and are subject to the manufacturer's discretion. For technical support and warranty service, please email [support@avalon-bay.com](mailto:support@avalon-bay.com).