

# DAYTON® SPECIFICATIONS

## Kingsford® Single Bowl Sink Models K12521, K12522 and KJ12522 Series

### GENERAL

Sink is formed of #23 gauge, 300 series, nickel-bearing stainless steel. Top mount.

### DESIGN FEATURES

Bowl Depth: 6" (K12521 series), 6-1/16" (K(J)12522) series.

Rim Height: 3/16" (5mm)

Faucet Deck: Raised

Coved Corners: 4" (102mm) vertical and 3-1/4" (83mm) horizontal radius.

Bowl Finish: Exposed surfaces are polished to a satin finish.

Underside: Undercoated on bottom of bowls to reduce condensation and dampen sound.

### OTHER

Drain Opening: 3-1/2" (89mm)

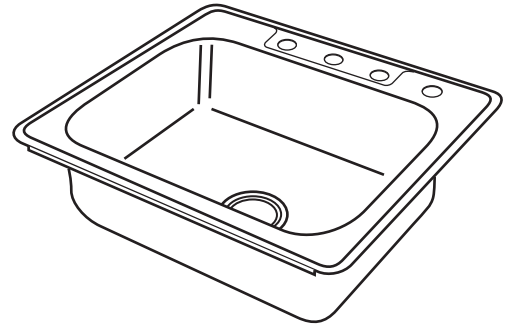
Note: Unless otherwise specified, sink is furnished with 4 faucet holes as shown.

Installation Hardware: Included for 3/4" (19mm) countertop.

Sink complies with ASME A112.19.3-2008 / CSA B45.4-08.



These sinks are listed by the International Association of Plumbing and Mechanical Officials as meeting the requirements of the Uniform Plumbing Code.



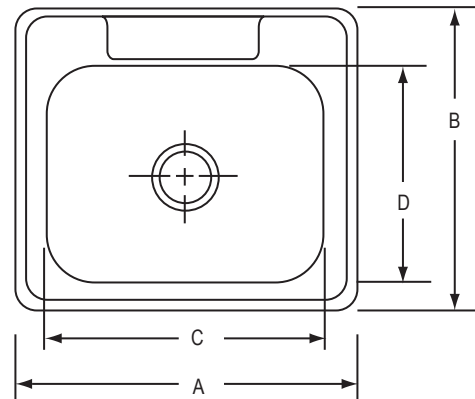
Model K125224

### SINK DIMENSIONS (INCHES)\*

U-Channel Model Number	J-Channel Model Number	Overall		Inside Bowl			Cutout in Countertop (1-1/2" (38mm) Radius Corners)		No. of 1-1/2" (38mm) Dia. Faucet Holes 4" (102mm) Center	Minimum Cabinet Size
		L A	W B	L C	W D	D E	L	W		
K12521	—	25 (635mm)	21-1/4 (540mm)	21 (533mm)	15-3/4 (533mm)	6 (152mm)	24-3/8 (619mm)	20-5/8 (524mm)	3 or 4	30 (762mm)
K12522	KJ12522	25 (635mm)	22 (559mm)	21 (533mm)	15-3/4 (533mm)	6 (152mm)	24-3/8 (619mm)	21-3/8 (543mm)	2†, 3, or 4	30 (762mm)

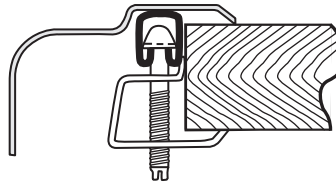
\*Length is left to right. Width is front to back.

† 2 hole only available for model K12522.

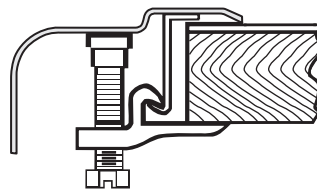


E is Bowl Depth

### U-Channel Type Mounting System

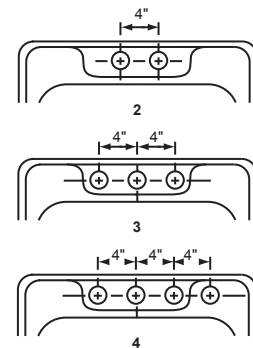


### J-Channel Type Mounting System



### Hole Drilling Configurations

1-1/2" (38mm) Diameter Faucet Holes 4" (102mm) Center



In keeping with our policy of continuing product improvement, Elkay reserves the right to change product specifications without notice.

This specification describes an Elkay product with design, quality and functional benefits to the user. When making a comparison of other producers' offerings, be certain these features are not overlooked.