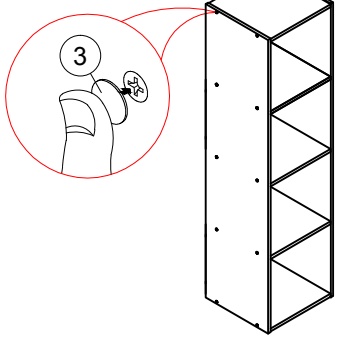
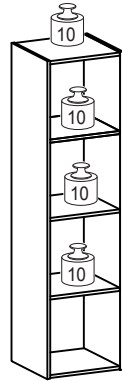


4



Recommended Maximum Weight

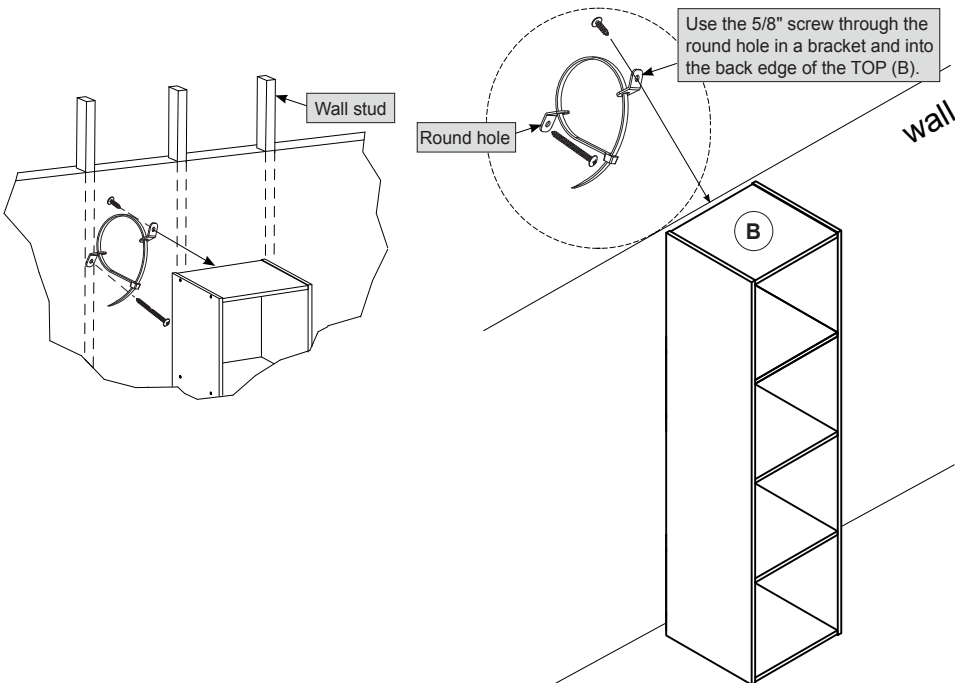


WARNING:
 >This unit has been designed to support the maximum loads shown. Exceeding these load limits could cause sagging, instability, product collapse, and/or serious injury.
 >DO NOT allow children to climb on unit.
 >Put heavier items on lower shelves.

*Unit in Pound(lbs)

PLEASE FOLLOW BELOW INSTRUCTION TO PREVENT PRODUCT TIP OVER.

HARDWARE PART LIST				QTY
x2				I SET
BRACKET	LONG SCREW	SHORT SCREW	CABLE TIE	



Assembly Instruction

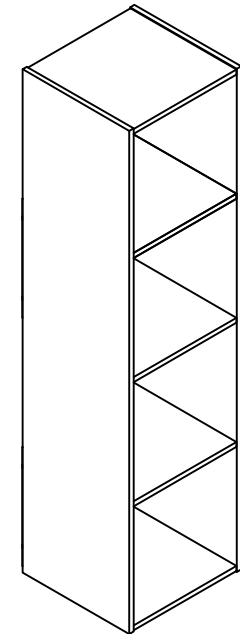
Furinno 4 CUBE CABINET

MODEL : **18052**

00:20
 Approx. 20 minutes

Recomm. 1 Person

Tools Required






Customer Support

NEED HELP? For replacement requests or product inquiries, please contact our Customer Service Team by emailing us at support@furinno.com. Thank you for selecting Furinno!

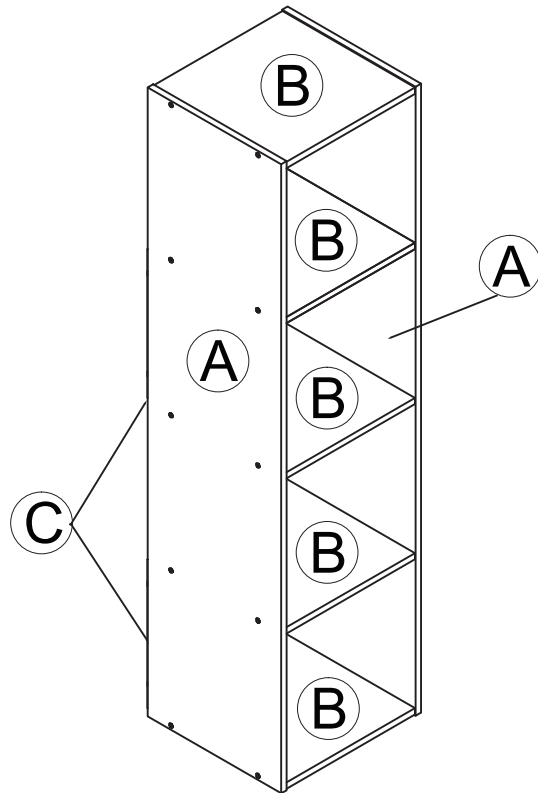
www.furinno.com



HARDWARE & PARTS LIST

NO	HARDWARE LIST	QTY
1	SCREW 	20pcs
2	BACK PLUG 	16pcs
3	SCREW COVER CARD 	20pcs

NO	PARTS LIST	QTY
A	SIDE PANEL	2pcs
B	SHELF PANEL	5pcs
C	BACK PANEL	2pcs



USEFUL HINTS BEFORE YOU START:

1. Read each step carefully before starting.
2. It is important that each step is performed in correct order to avoid difficulties.
3. Identify, sort and count the parts before assembly.
4. Assemble your furniture on packaging cardboard to prevent scratch or damage.
5. Clean the product with mild cleanser using soft damped cloth. Do not use harsh or abrasive cleanser.
6. Using incompatible hardware might cause damage to product.

ASSEMBLY INSTRUCTIONS

BEFORE YOU BEGIN, PLEASE READ ASSEMBLY INSTRUCTION CAREFULLY, FOLLOW THEM STEP BY STEP.

