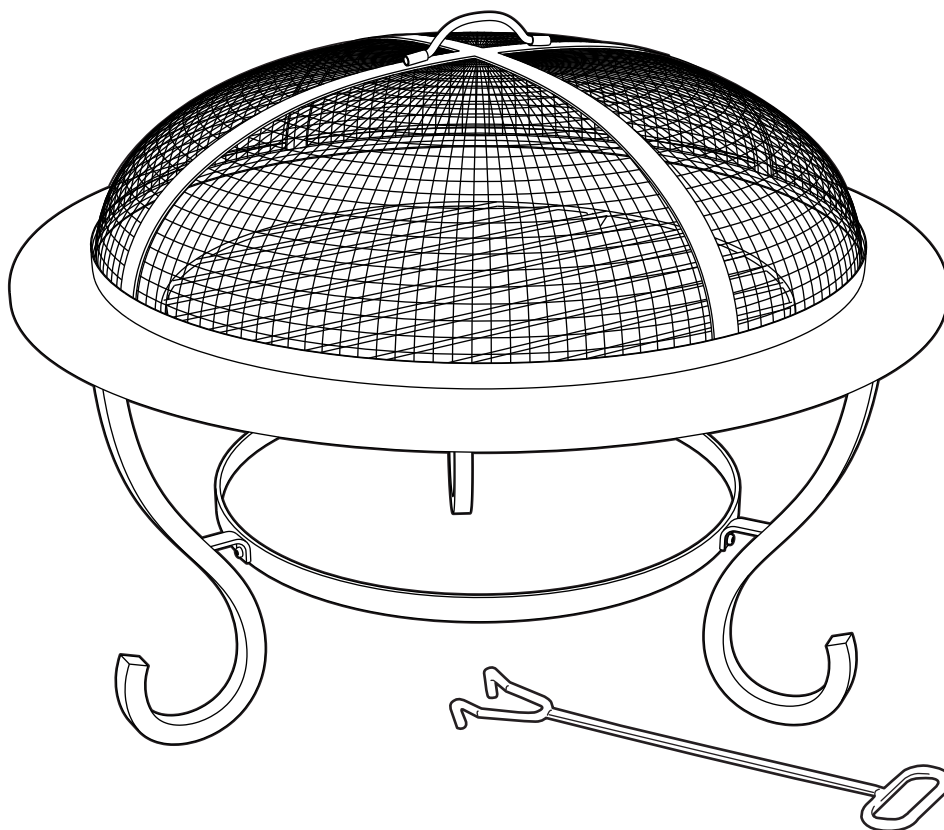


USE AND CARE GUIDE

ROUND TABLE TOP FIRE BOWL



Questions, problems, missing parts? Before returning to the store,
call Customer Service
8 a.m. - 5 p.m., EST, Monday-Friday

1-866-397-9312

HOMEDEPOT.COM

Table of Contents

Table of Contents 2
 Safety Information..... 2
 Precautions 2
 Warranty 3
 Pre-Assembly 3
 Planning Assembly..... 3
 Hardware Included..... 3
 Package Contents 4









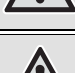

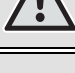
Assembly 5
 Operation 6
 Care and Cleaning 7

Safety Information

PRECAUTIONS

Use caution and common sense when using your outdoor fireplace. Failure to adhere to the safety warnings and guidelines in this manual could result in bodily injury or property damage. Save this manual for future reference.

-  **DANGER:** To prevent personal injury, burns, property damage, or even death, carefully monitor all activity and alert all persons in the vicinity of burning outdoor fireplaces of the dangers and safety precautions associated with open flame fireplaces. Do not use outdoor fireplaces where alcoholic beverages are being consumed.
-  **DANGER:** Keep children, pets, loose clothing, and hair safely away from the outdoor fireplace. Failure to adhere to this could lead to severe personal injury or possible death. Do not allow children to use or play near this outdoor fireplace.
-  **DANGER:** Do not use indoors due to the hazard of carbon monoxide fumes and fire. Lack of ventilation may cause death.
-  **WARNING:** For outdoor use only.
-  **WARNING:** Outdoor fireplaces are only to be used in a well ventilated area a minimum of 10 ft. from building walls, overhangs, trees, and so forth to prevent fires or melting of materials from buildings.
-  **WARNING:** Do not place the outdoor fireplace where flames could ignite combustible materials such as roof overhangs, wooden structures, fuel, clothing, fabric, or dry vegetation.
-  **WARNING:** To avoid fire hazards, never leave a burning outdoor fireplace unattended. If you must leave the area of the fire pit, ensure that all fire embers are extinguished.
-  **WARNING:** Never use gasoline, kerosene, alcohol, or other flammable fuel in or around the outdoor fireplace. Do not use the outdoor fireplace near gasoline or other flammable liquids, gases, or where flammable vapors may be present.

-  **WARNING:** Place the outdoor fireplace out of the way of pedestrian traffic, trees, and tree branches.
-  **WARNING:** Use with extreme care and at your own risk.
-  **WARNING:** The metal surface can get very hot and caution must be used when handling the fireplace after use. Never move the outdoor fireplace when in use or immediately after use when it may be hot.
-  **WARNING:** Do not use during windy conditions.
-  **WARNING:** Please check with your local fire municipality or authority on any restrictions of use.
-  **WARNING:** Do not overload the bowl beyond 3 to 4 pounds.
-  **WARNING:** Place the outdoor fireplace on firm, level ground or surfaces free of debris. Do not use on wooden or composite decks.
-  **WARNING:** It is advised that a fire extinguisher be readily available. Refer to your local authority to determine the proper size of the fire extinguisher.
-  **WARNING:** Do not use the outdoor fireplace for other than its intended purpose.
-  **WARNING:** Do not attempt to service or modify the fireplace other than normal maintenance procedures as explained in the Care and Cleaning section of this manual.
-  **WARNING:** Metal surfaces will become extremely hot during use. Always use caution when handling a spark screen and a screen lifting tool, if equipped. Failure to wear flame retardant, protective gloves while handling steel parts may lead to serious burns and injury.

Warranty

This product carries no warranty. No replacement parts are available.

If there are any questions, contact the Customer Service Team at 1-866-397-9312 or visit www.HomeDepot.com.

Pre-Assembly

PLANNING ASSEMBLY

Read all safety warnings and instructions carefully and thoroughly before assembling and operating your outdoor fireplace. Familiarize yourself with the inventory of parts and the accompanying illustrations to ensure safe and proper assembly. The manufacturer is not responsible for any injury that may occur during the assembly of this product.

Place the parts on a soft surface to assemble and prevent scratching the finish.

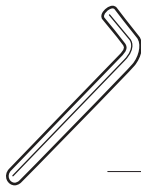
HARDWARE INCLUDED



NOTE: Hardware not shown to actual size.



AA

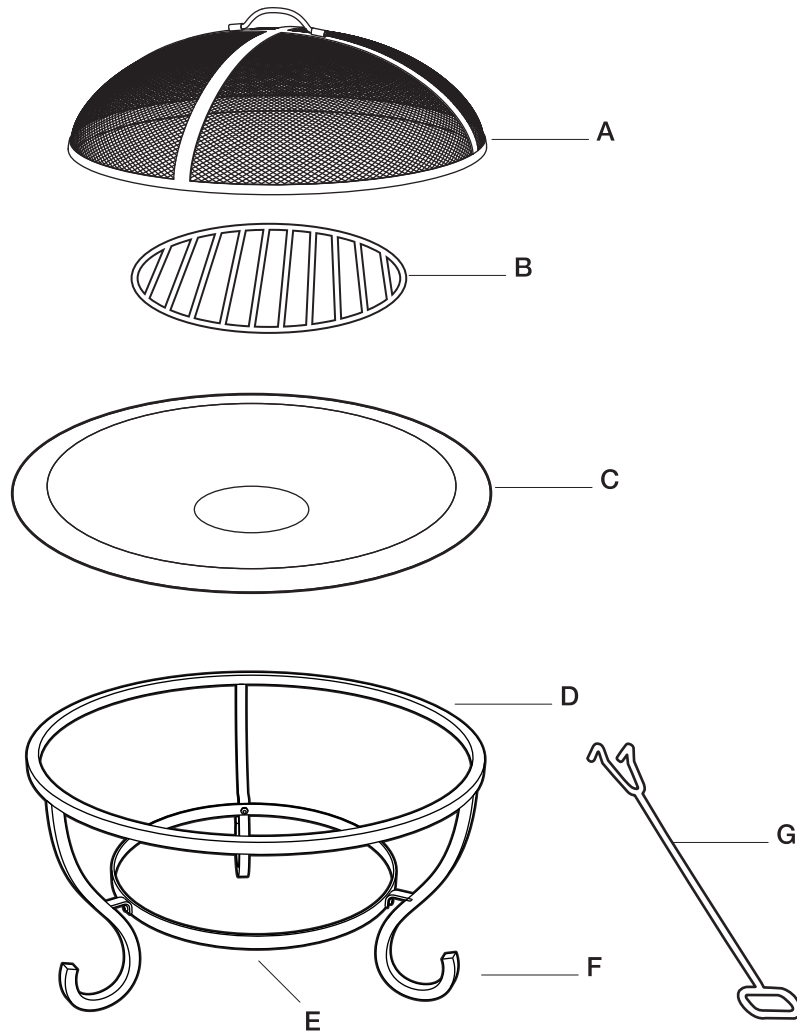


BB

| Part | Description | Quantity |
|------|-------------|----------|
| AA | M6x15 bolt | 9 |
| BB | Hex wrench | 1 |

Pre-Assembly (continued)

PACKAGE CONTENTS



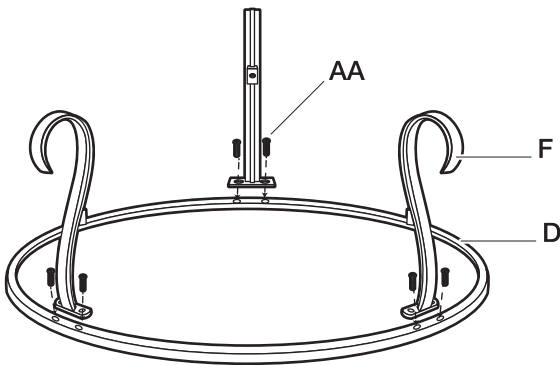
| Part | Description | Quantity |
|------|--------------------|----------|
| A | Mesh cover | 1 |
| B | Log grate | 1 |
| C | Bowl | 1 |
| D | Stand ring | 1 |
| E | Leg connector ring | 1 |
| F | Leg | 3 |
| G | Hook | 1 |

Assembly

1 Attaching the legs

Place the stand ring (D) on a soft, flat surface and align the bolt holes on the legs (F) with the holes on the stand ring (D).

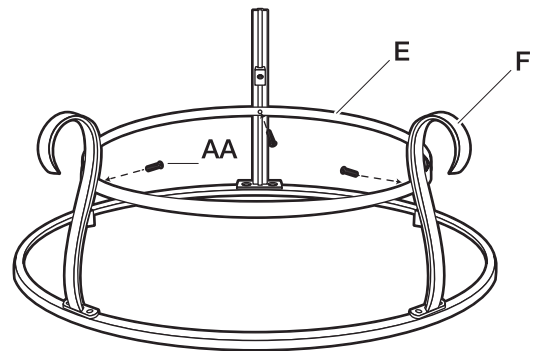
Loosely secure the legs (F) to the stand ring (D) with bolts (AA).



2 Attaching the leg connector ring

Place the leg connector ring (E) between the legs (F) and insert bolts (AA) through the leg connector ring (E) and into each leg (F).

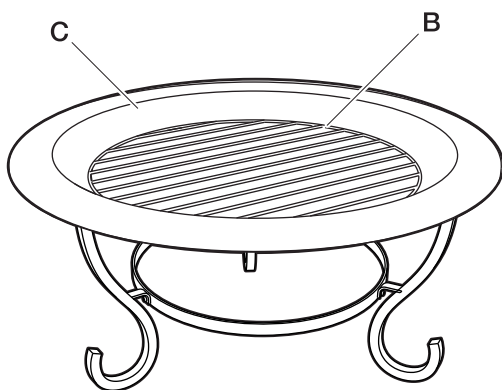
Once all of the bolts (AA) are in place and the stand assembly is aligned properly, tighten all bolts (AA) with the Hex wrench (BB).



3 Assembling the bowl and log grate

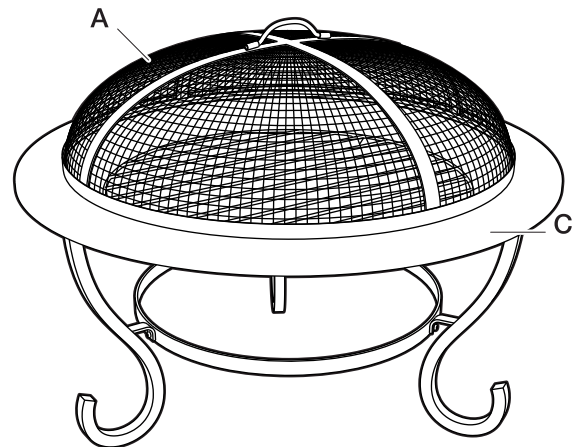
Carefully turn the stand assembly to the upright position and place the bowl (C) into the stand.

Place the log grate (B) into the bowl (C).



4 Assembling the mesh cover

Carefully place the mesh cover (A) on the bowl (C). The fire bowl is ready for use.



Operation

1 Starting and relighting a fire



WARNING: Do not use large logs. Do not overload the fire bowl beyond 3 to 4 pounds.



WARNING: Do not use gasoline or kerosene to start a fire.

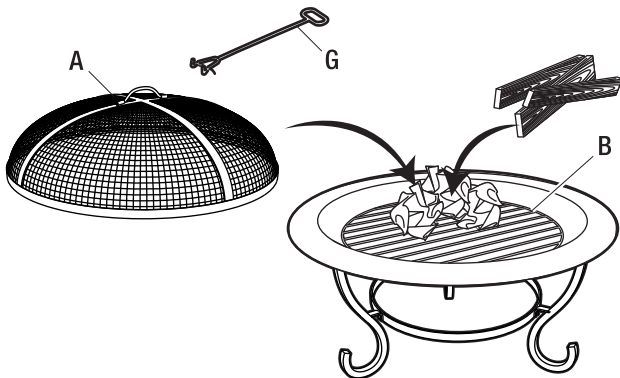


CAUTION: Keep the fire at a reasonable level as large fires can damage or shorten the life of the unit.

Place three to four sheets of crumpled newspaper on top of the fire log grate (B).

Pile finely-split dry firewood on top of the loosely crumpled newspaper. Do not use charcoal or an artificial log.

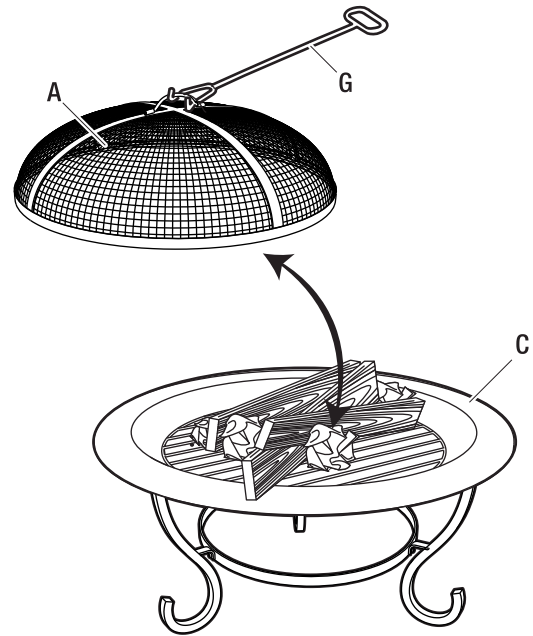
Carefully light the loosely crumpled newspaper underneath the firewood and carefully replace the mesh cover (A) using the hook (G).



2 Adding wood to an existing fire

Use the hook (G) to lift the handle on the mesh cover (A) and carefully add wood while the fire is burning.

Use the hook (G) to carefully replace the mesh cover (A) back onto the bowl (C).



Note:- The bowl is copper and will develop a graceful patina over time. After burning you will also note changes which is normal after burning.

Note:- Finish will not look the same after burning.

Care and Cleaning

Please read Care Instructions carefully.

COPPER BOWL

Your solid copper fire bowl is shipped from the factory with a hand applied coating of coconut oil to arrest the patina process natural to copper. With use and exposure, this oil finish will wear off, and the copper will darken and patina. The patina is actually a natural protectant against corrosion; and will only add to the beauty of the copper bowl.

It is recommended that you clean the fire bowl after each use. Remove the ashes and debris after the fire has completely cooled down and extinguished. Periodically wipe the inside of the fire pit with a damp cloth to stop the buildup of soot and creosote.

If you want to polish the copper, we recommend that you use a good quality paste copper cleaner. Always follow the manufacturer's label instructions for the specific cleaner. Do not use salt and lemon, as it is possible for the abrasive nature of salt to scratch your copper.

Mesh Cover, Stand and Poker :

Once the fire bowl is completely cooled down, remove the mesh cover using the handle. Pour the ashes from the bowl and rinse with clean water and allow to dry completely.

Clean after each use.

Do not use a scrub brush.

If the paint chips, use only high-temperature paints and a brush to fix.

If rust is showing, sand lightly and repaint the area with high-temperature paints.

Dry with a soft cloth.

Turn the unit upside down when not in use to prevent water from building up in the unit.

Cover the unit when not in use to prolong the life.

Keep your fire pit out of the rain.

Questions, problems, missing parts? Before returning to the store,
call Customer Service
8 a.m. - 5 p.m., EST, Monday-Friday

1-866-397-9312

HOMEDEPOT.COM

Retain this manual for future use.

Handcrafted by artisans in India.