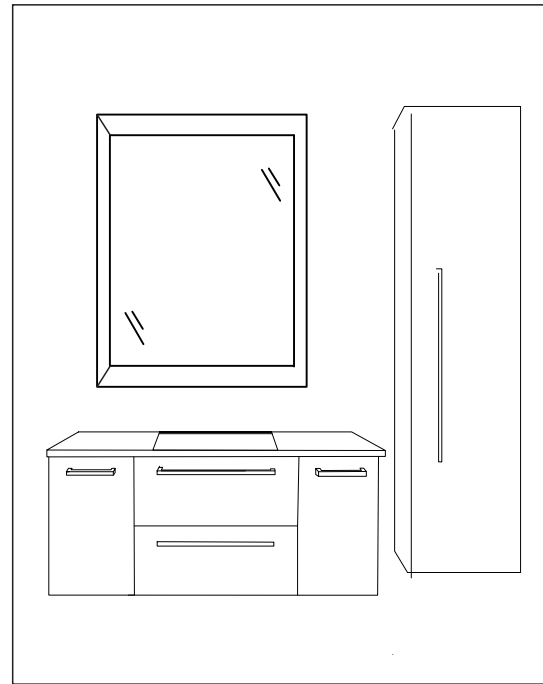
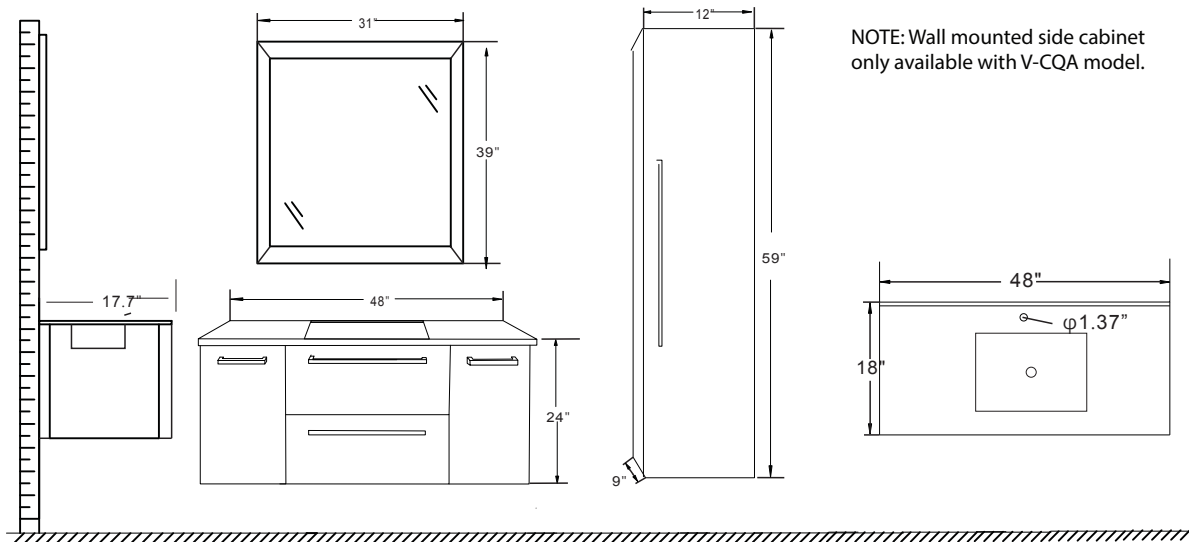


# CONQUES SERIES

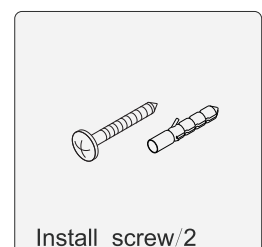
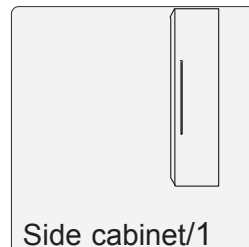
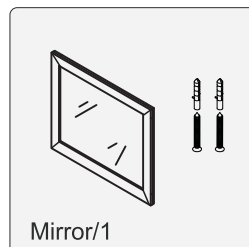
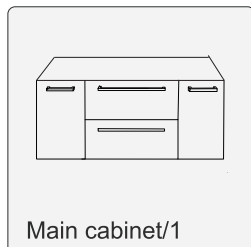
- Please check your product packaging to make sure the included accessories are in the “list of standard accessories”. If any parts are missing, please contact your local dealer immediately.
- Do not allow any sharp objects to come in contact with the cabinet, as it will scratch the surface.
- Continuous and prolonged exposure to direct sunlight may cause discoloration to the wood.
- Do not put any hot appliances directly on or near the cabinet.
- Please avoid using cleaning products that contain bleach or ammonia.
- Wood surfaces should only be cleaned with wood care products such as soapy water or furniture polish.



## INSTALLATION



## MAIN BODY PARTS



## INSTALLATION PARTS

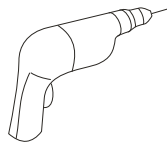
# ERECTING TOOL



Tape



Pencil



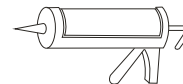
Impact Drill



Levelling Instrument

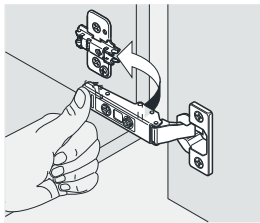


Screw driver

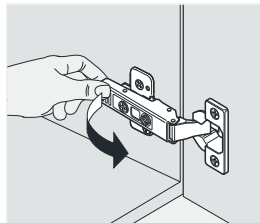


Glass Glue Gun

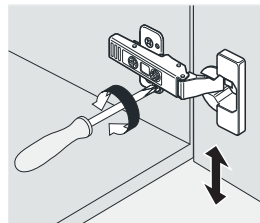
## INSTALL,REMOVE,ADJUST OF TOP FAST LOADING HINGE



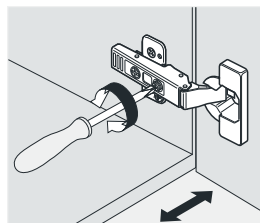
install



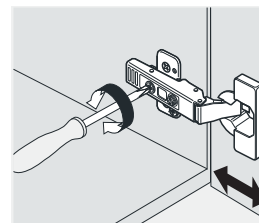
remove



adjust the height



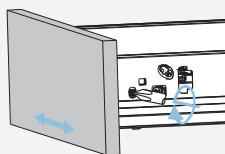
adjust the lateral



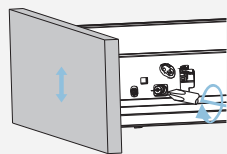
adjust the deep

## DRAWER ASSEMBLY AND REMOVAL(WITH PEG)

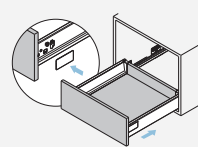
### Drawer adjustment



Adjusted the left and right

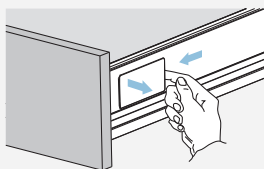


Adjusted the up and down

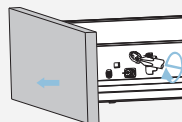


Roll in the drawer

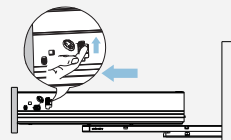
### Drawer removal



Pry up the cover

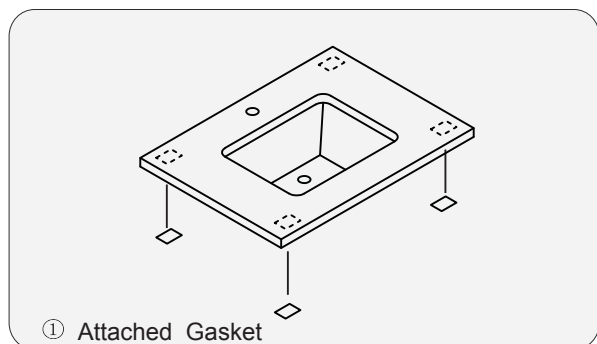


Twist the screwdriver, discharge the drawer

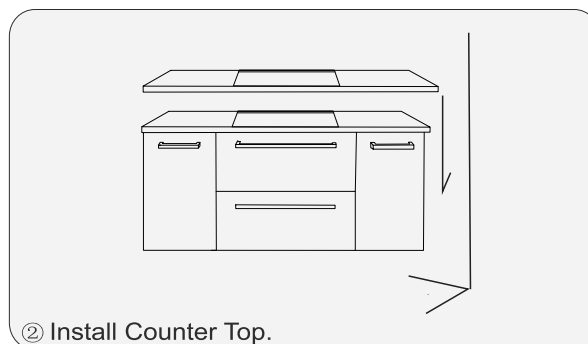


Lift up the device and pull out the drawer

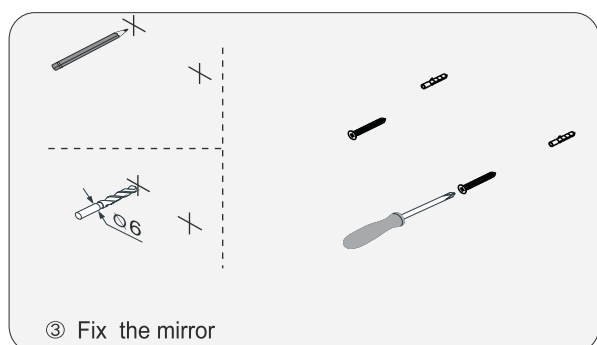
## INSTALLATION INSTRUCTIONS



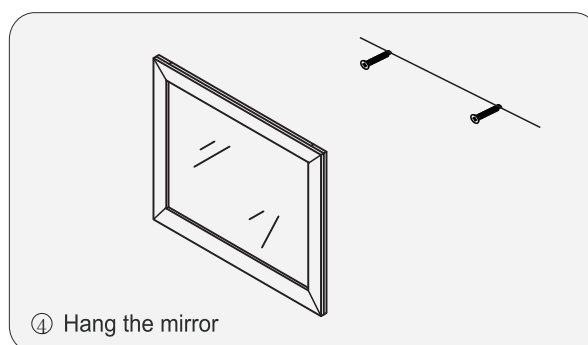
① Attached Gasket



② Install Counter Top.



③ Fix the mirror



④ Hang the mirror

