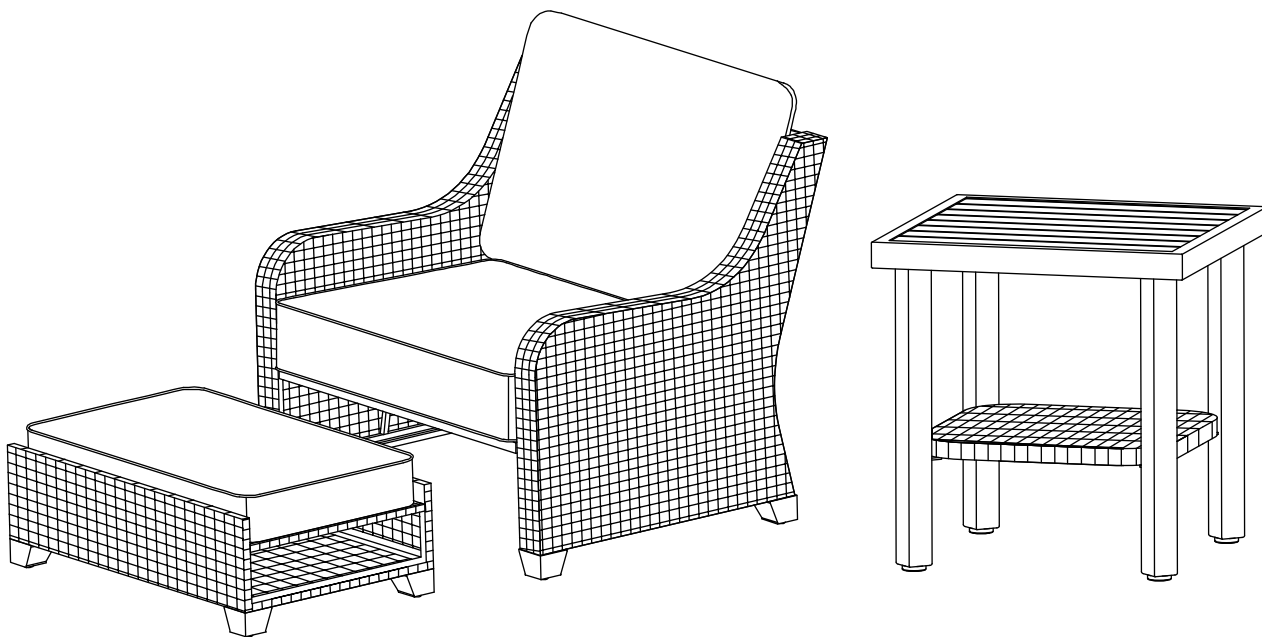




Item # 1001 868 844
Model # FRS80750-ST

USE AND CARE GUIDE

SAUNTERA WOVEN CUDDLE 5-PIECE SEATING SET



Questions, problems, missing parts? Before returning to the store,
call Hampton Bay Customer Service.

8 a.m. - 7 p.m., EST, Monday - Friday, 9 a.m. - 6 p.m., EST, Saturday

1-855-HD-HAMPTON

HAMPTONBAY.COM

THANK YOU

We appreciate the trust and confidence you have placed in Hampton Bay through the purchase of this seating set. We strive to continually create quality products designed to enhance your home. Visit us online to see our full line of products available for your home improvement needs. Thank you for choosing Hampton Bay!

Table of Contents

Table of Contents	2	Pre-Assembly	3
Safety Information	2	Planning Assembly	3
Product Caution	2	Hardware Included	3
Safety Warnings	2	Chair And Ottoman Package Contents.....	4
Warranty	2	Table Package Contents	5
What is Covered	2	Chair And Ottoman Assembly	6
What is Not Covered	2	Table Assembly	13
		Care and Cleaning	15

Safety Information

PRODUCT CAUTION

This set was made for the explicit purpose of providing outdoor functions and is not to be used as a toy. This product is intended for normal outdoor use; however, the manufacturer recommends storing and / or covering this set when any formidable / severe weather is approaching. Do not locate the product near open flame. Do not use the product as a support. Do not shake, lean or climb on the product. Children under the age of 10, near the product, should be supervised by a competent adult at all times. This product is NOT intended for commercial use and will void the warranty.

SAFETY WARNINGS



WARNING: Weight limit for the chairs is 250 lbs (113.39 kg) for each seat.



CAUTION: When not in use, secure the product in a cool and covered location.



WARNING: This seating set is heavy, and may require two adults for safe assembly.



WARNING: Do not place heavy objects on the chair.

Warranty

2 YEAR FRAME AND 2 YEAR FABRIC LIMITED WARRANTY

WHAT IS COVERED

We warrant the frames to be free of manufacturing defects to the original purchaser for two years, and a two year limited warranty for the fabric.

WHAT IS NOT COVERED

It remains the customer's responsibility for freight and packaging charges to and from our service center. This warranty does not cover commercial use, hardware, acts of nature, fire, freezing and abusive use. In addition, purchased parts are not covered under this warranty. We reserve the right to make substitutions with similar merchandise, if the model in question is no longer in production.

Contact the Customer Service Team at 1-855-HD-HAMPTON or visit www.HamptonBay.com.

Pre-Assembly

PLANNING ASSEMBLY

Read all instructions before assembly.

To avoid damaging this product, assemble it on a soft, non-abrasive surface such as carpet or cardboard.



NOTE: More than one person may be required to assemble this product.

HARDWARE INCLUDED



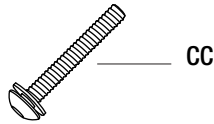
NOTE: Hardware not shown to actual size.



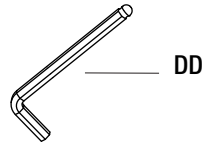
AA



BB



CC

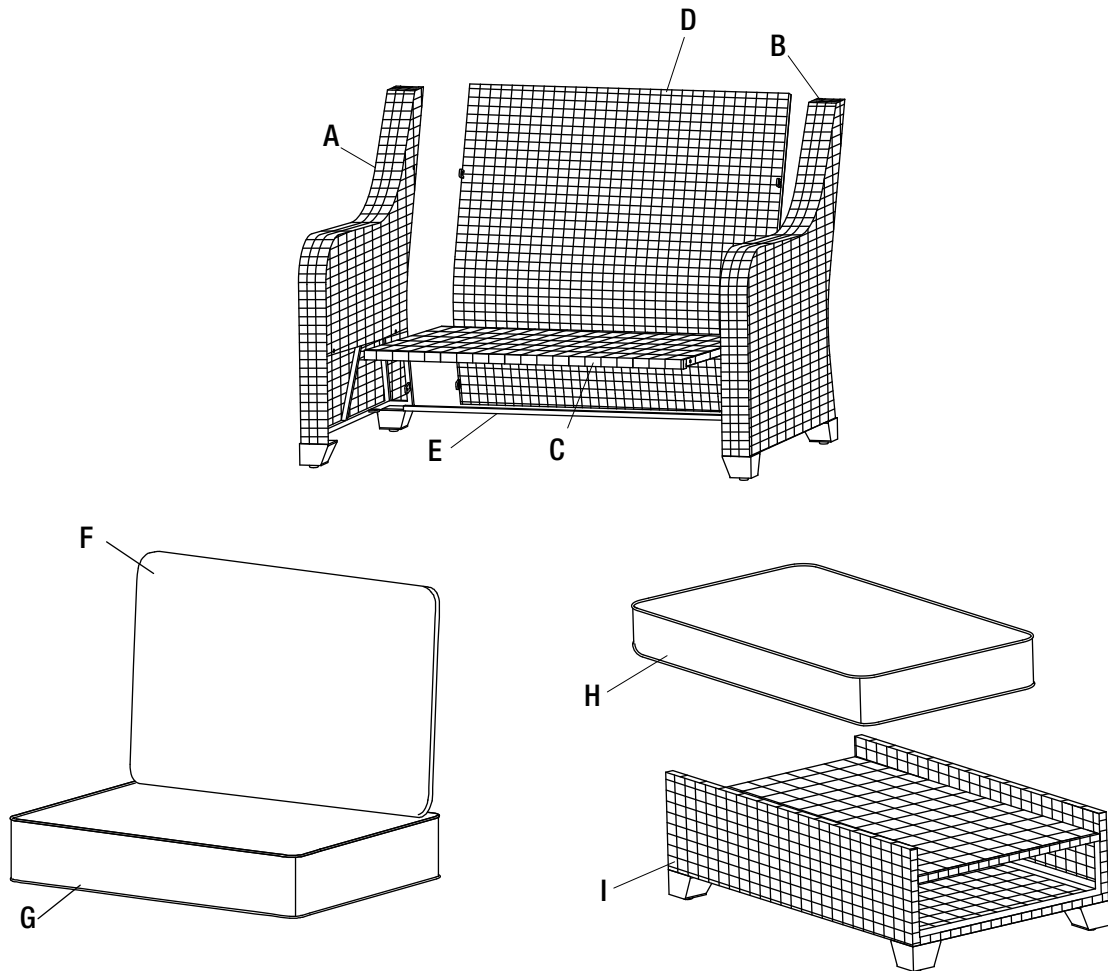


DD

Part	Description	Quantity
AA	M6x15 combination bolt	12+1
BB	M6x25 combination bolt	12+1
CC	M6x45 combination bolt	10+1
DD	Hex wrench	1

Pre-Assembly (continued)

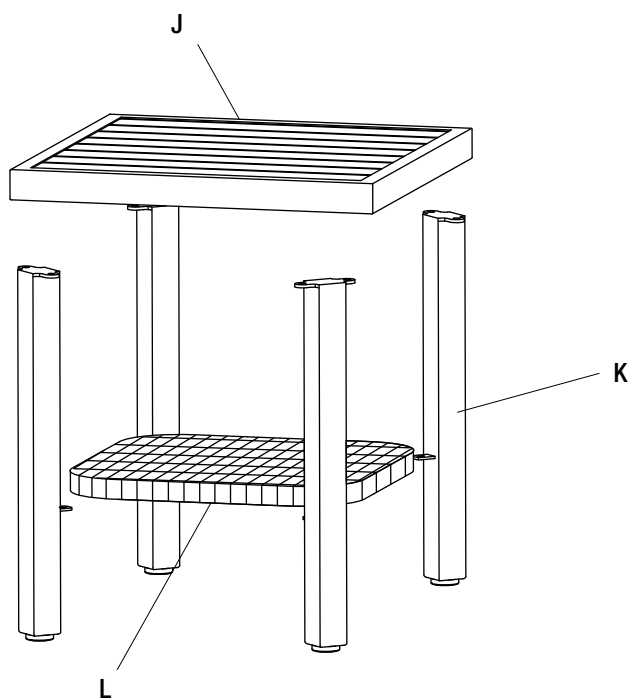
CHAIR AND OTTOMAN PACKAGE CONTENTS



Part	Description	Quantity
A	Right arm	2
B	Left arm	2
C	Seat	2
D	Backrest	2
E	Connection bar	2
F	Back cushion	2
G	Seat cushion	2
H	Ottoman cushion	2
I	Ottoman	2

Pre-Assembly (continued)

TABLE PACKAGE CONTENTS



Part	Description	Quantity
J	Table top	1
K	Table leg	4
L	Shelf	1

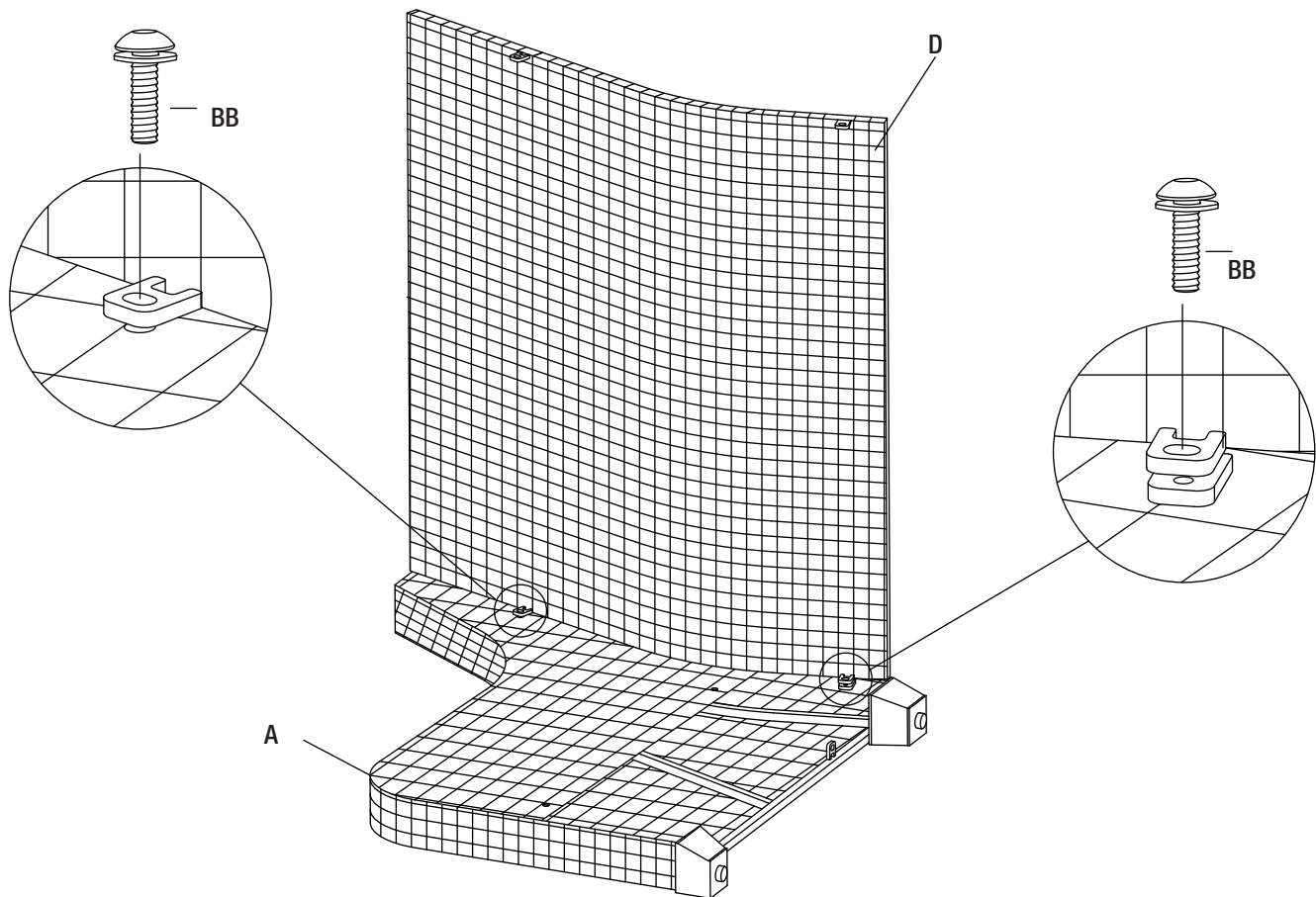
Chair And Ottoman Assembly

1 CONNECTING THE BACKREST TO THE RIGHT ARM

- Place the right arm (A) on a soft surface.
- Attach the backrest (D) to the right arm (A) using M6x25 combination bolts (BB).



NOTE: Loosely tighten all bolts using the hex wrench (DD).



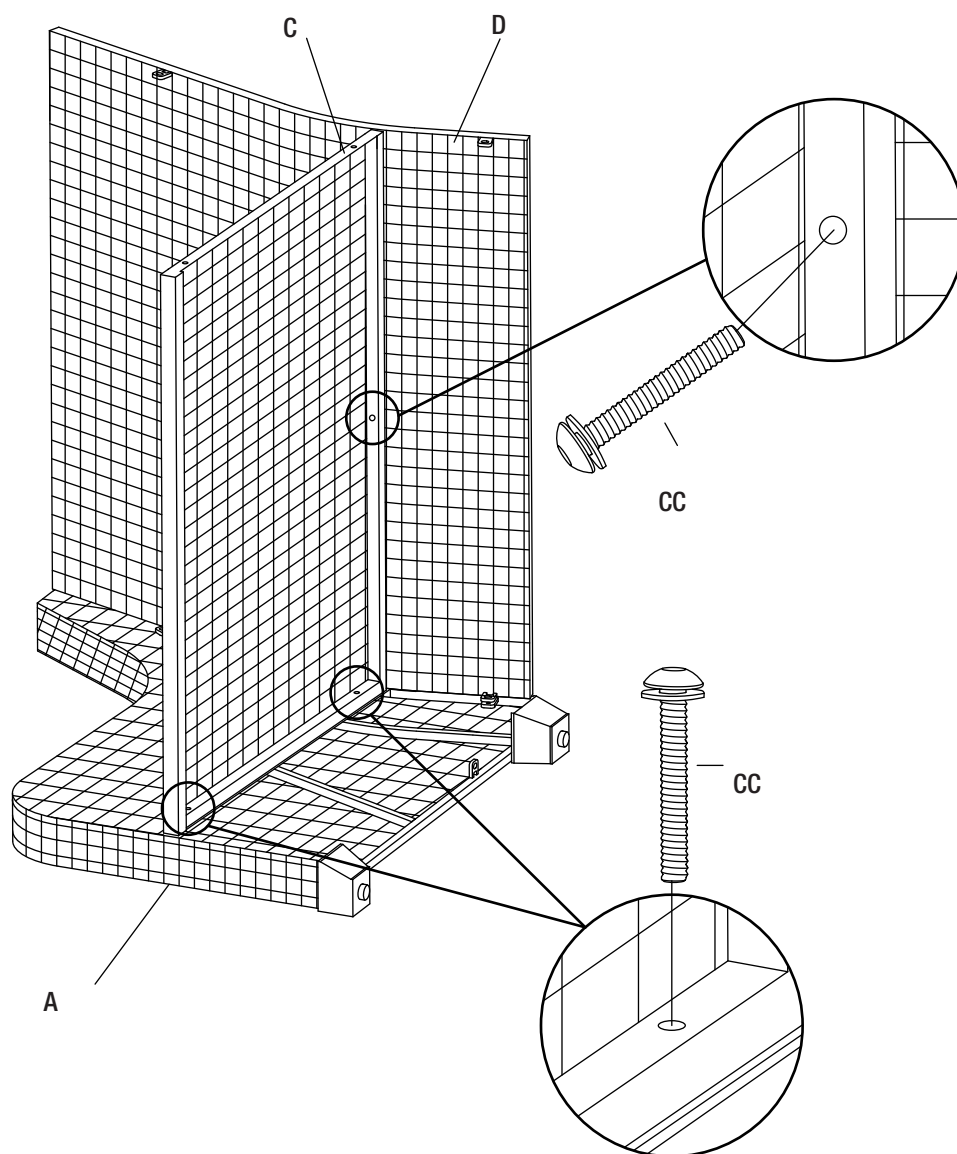
Chair And Ottoman Assembly (continued)

2 CONNECTING THE SEAT TO THE RIGHT ARM AND THE BACKREST

- Attach the seat (C) to the right arm (A) and the backrest (D) using M6x45 combination bolts (CC).



NOTE: Loosely tighten all bolts using the hex wrench (DD).



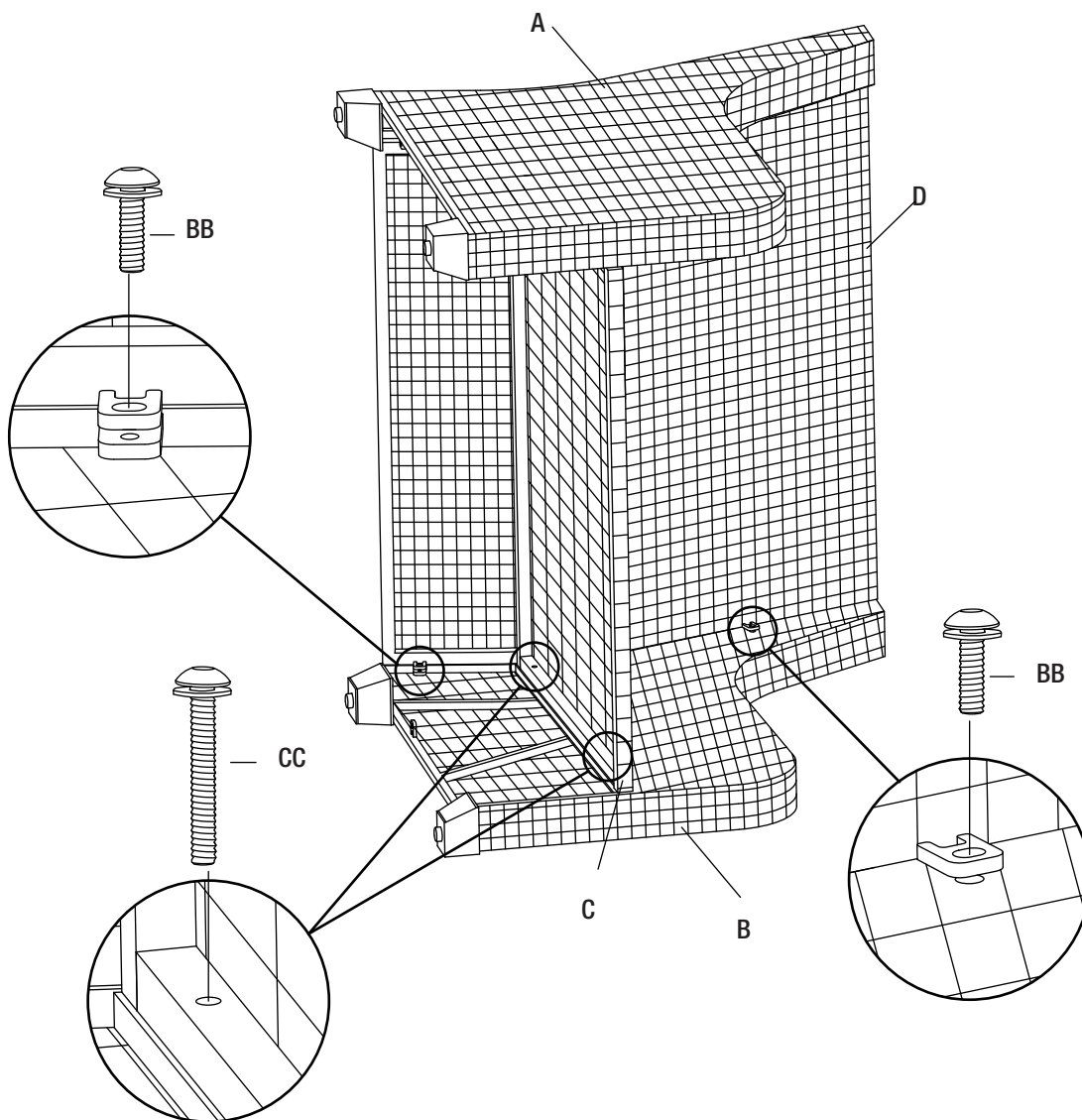
Chair And Ottoman Assembly (continued)

3 CONNECTING THE BACKREST AND THE SEAT TO THE LEFT ARM

- Place the left arm (B) on a soft surface.
- Attach the seat (C) to the left arm (B) using M6x45 combination bolts (CC).
- Attach the backrest (D) to the left arm (B) using M6x25 combination bolts (BB).



NOTE: Loosely tighten all bolts using the hex wrench (DD)



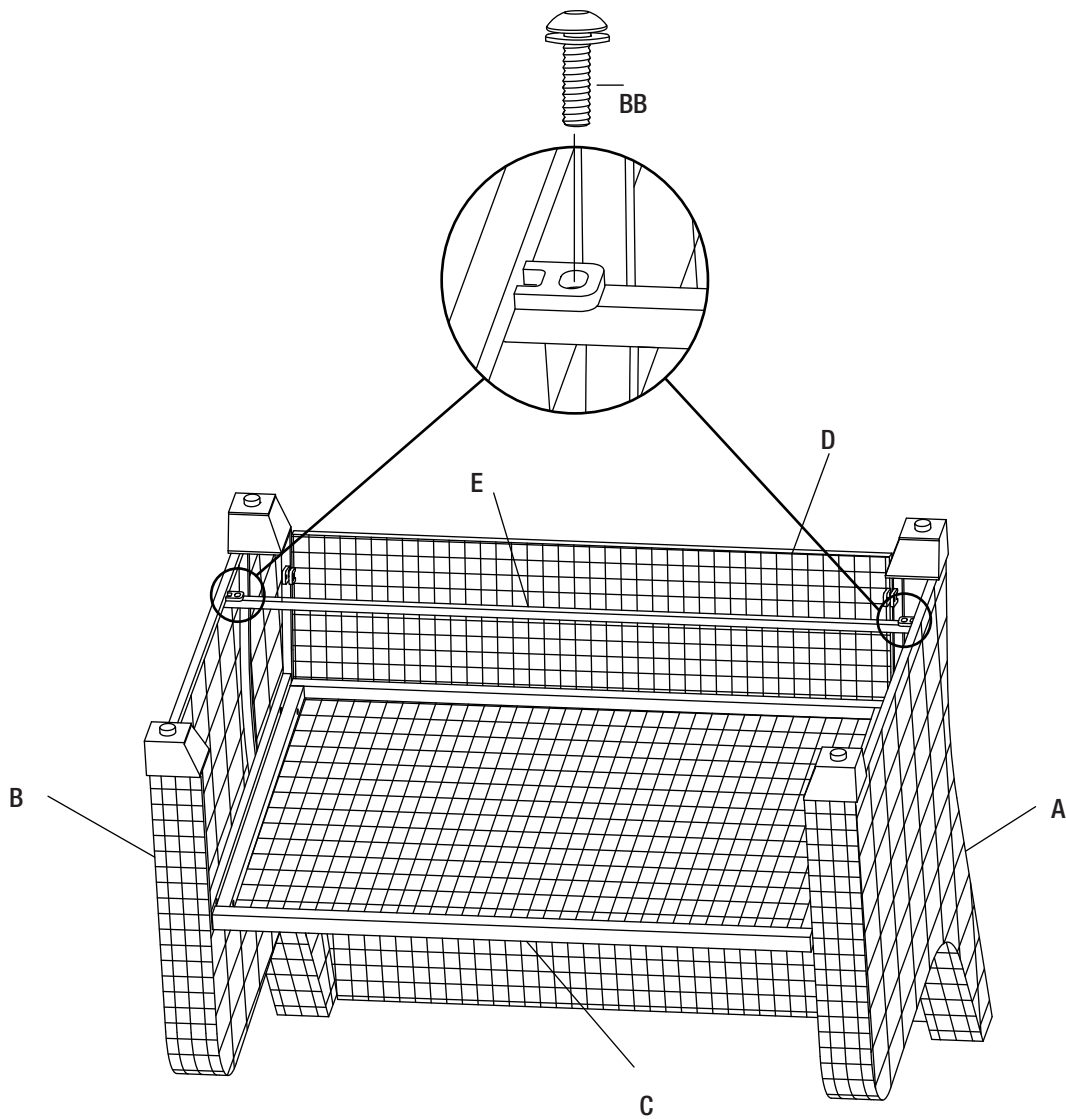
Chair And Ottoman Assembly (continued)

4 CONNECTING THE CONNECTION BAR TO THE LEFT ARM AND THE RIGHT ARM

- Connect the connection bar (E) to the left arm (B) and the right arm (A) using M6x25 combination bolts (BB).



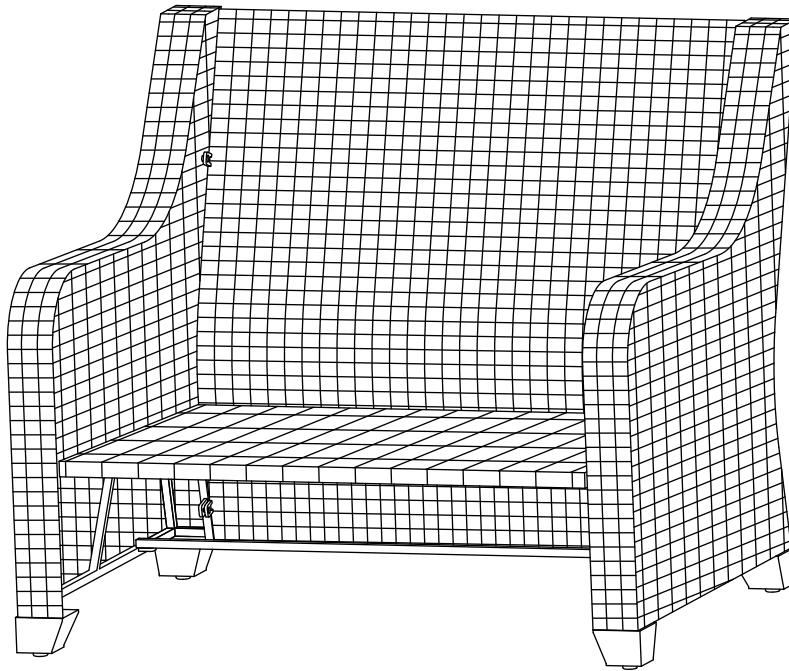
NOTE: Loosely tighten all bolts using the hex wrench (DD).



Chair And Ottoman Assembly (continued)

5 TIGHTENING THE BOLTS

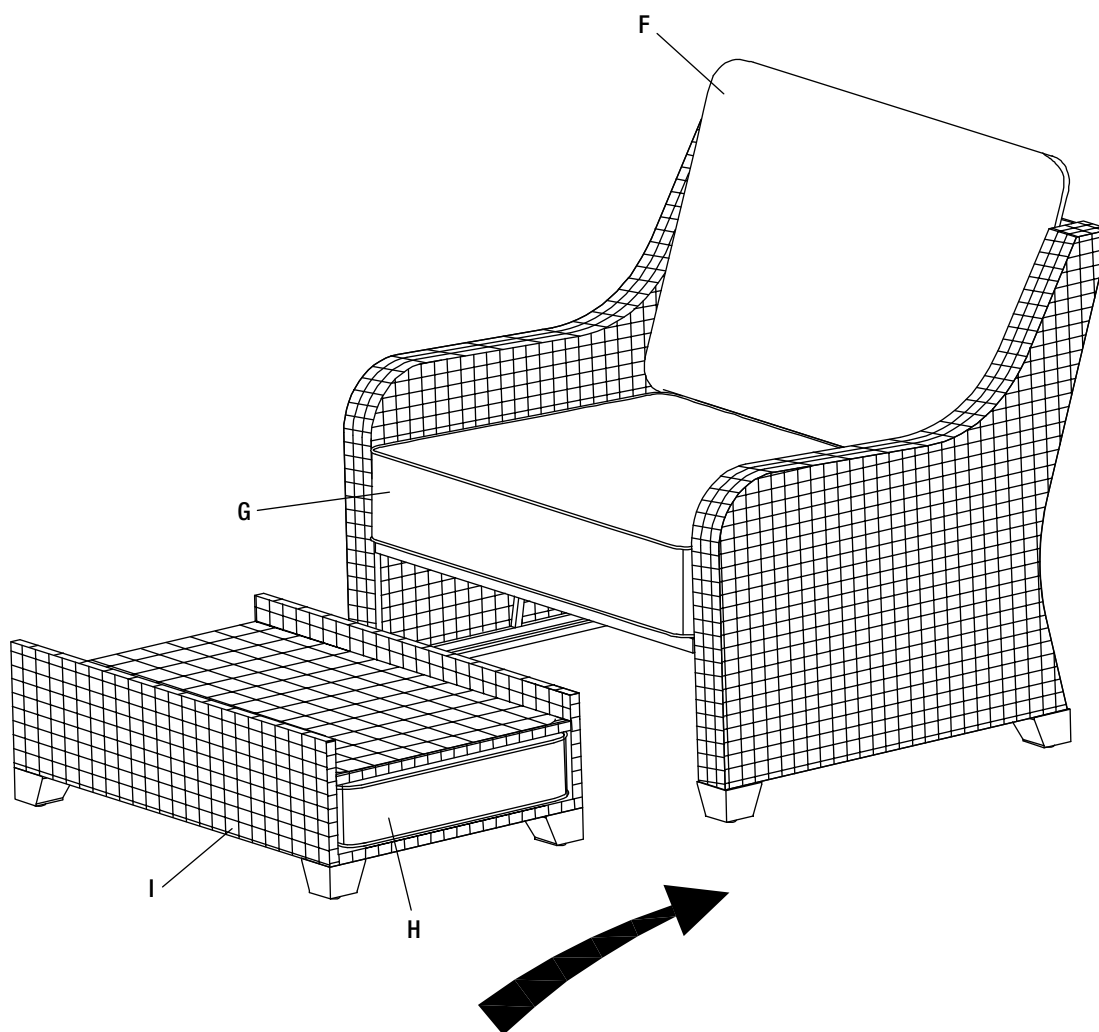
- Once all of the bolts are in place, fully tighten the bolts.
- Turn the chair right side up.



Chair And Ottoman Assembly (continued)

6 COMPLETING THE ASSEMBLY

- Place the seat cushion (G) and the back cushion (F) on the chair.
- Slide the ottoman (I) into the chair with the ottoman cushion (H) hiding into the ottoman (I).



Chair And Ottoman Assembly (continued)

7 CHECKING THE CHAIR AND OTTOMAN

- Check and ensure the chair and ottoman is tightly assembled and stable before use.

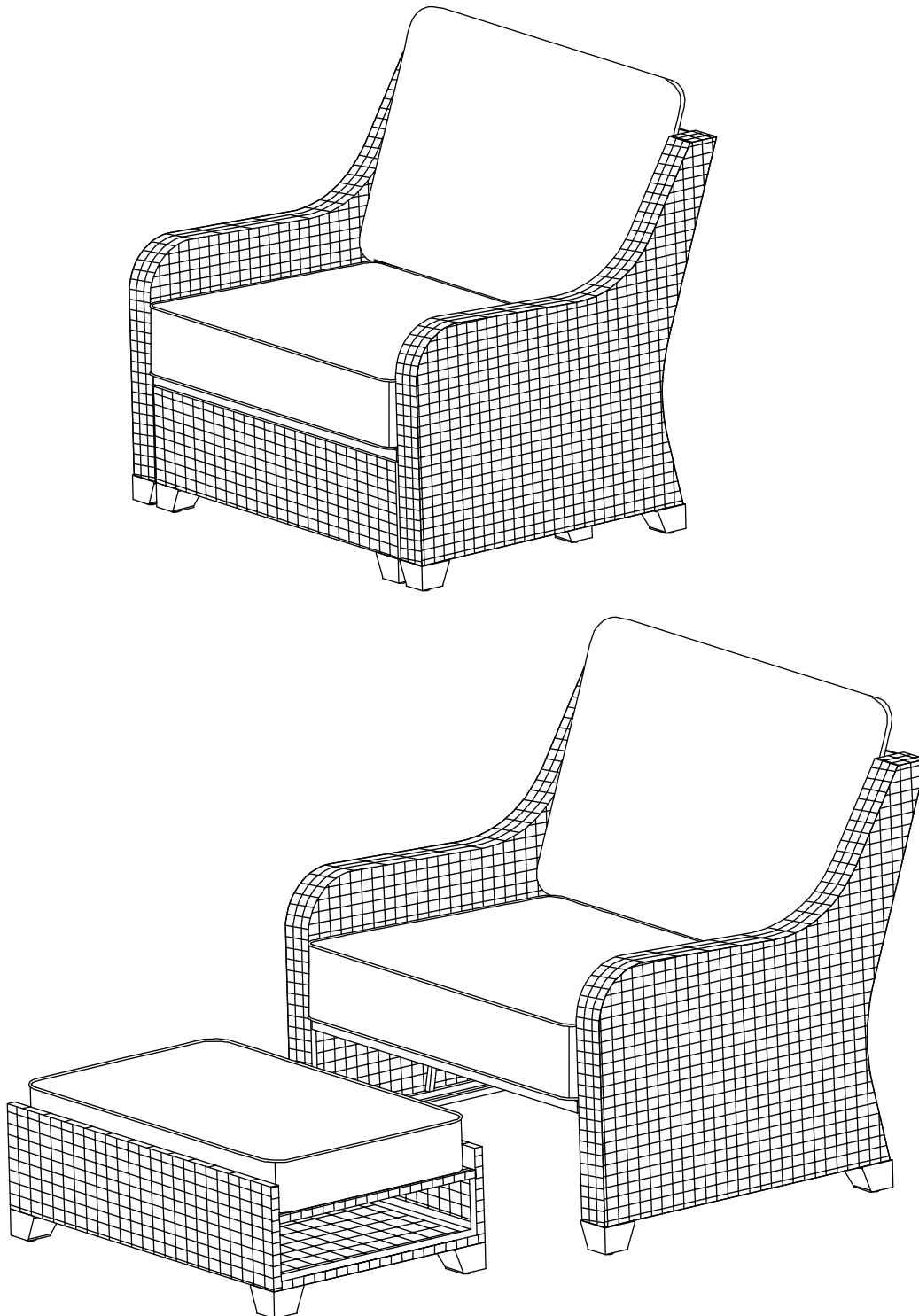


Table Assembly

1 ATTACHING THE TABLE LEGS TO THE TABLE TOP

- Place the table top (J) upside down on a soft surface.
- Attach the table legs (K) to the table top (J) using M6x15 combination bolts (AA).



NOTE: Loosely tighten all bolts using the hex wrench (DD).

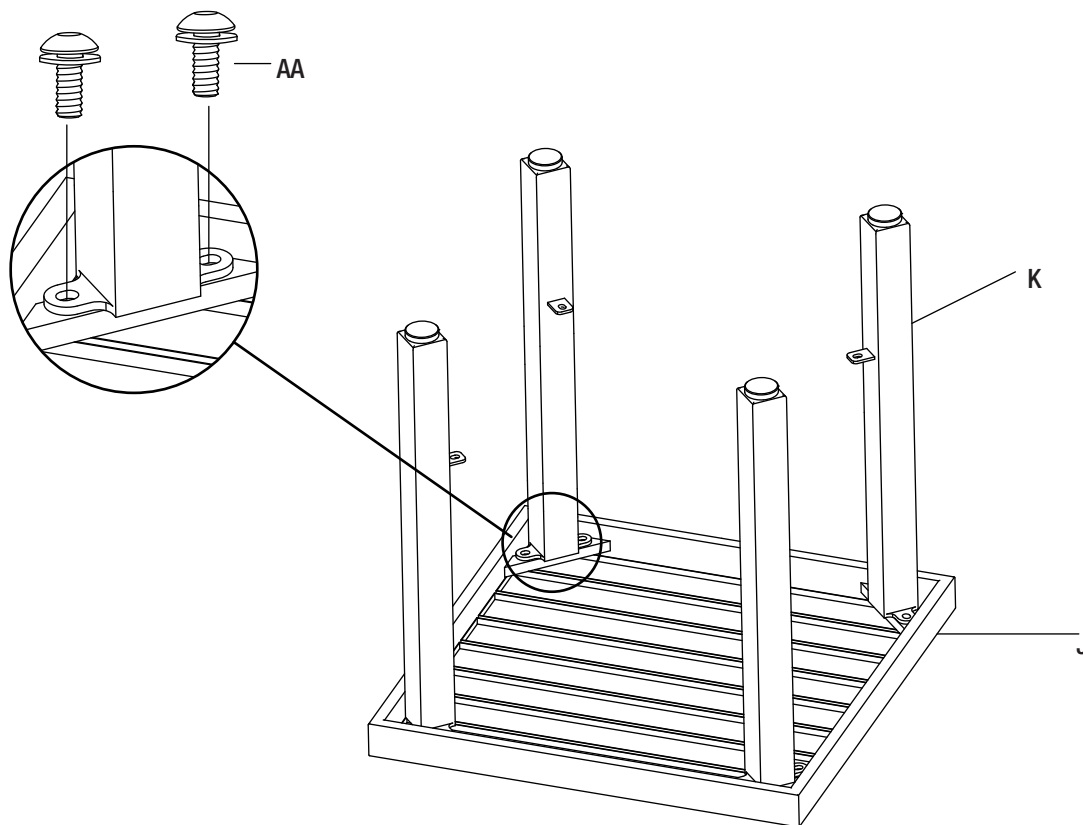


Table Assembly (continued)

2 ATTACHING THE SHELF TO THE TABLE LEGS

- Attach the shelf (L) to the table legs (K) using M6x15 combination bolts (AA).



NOTE: Loosely tighten all bolts using the hex wrench (DD).

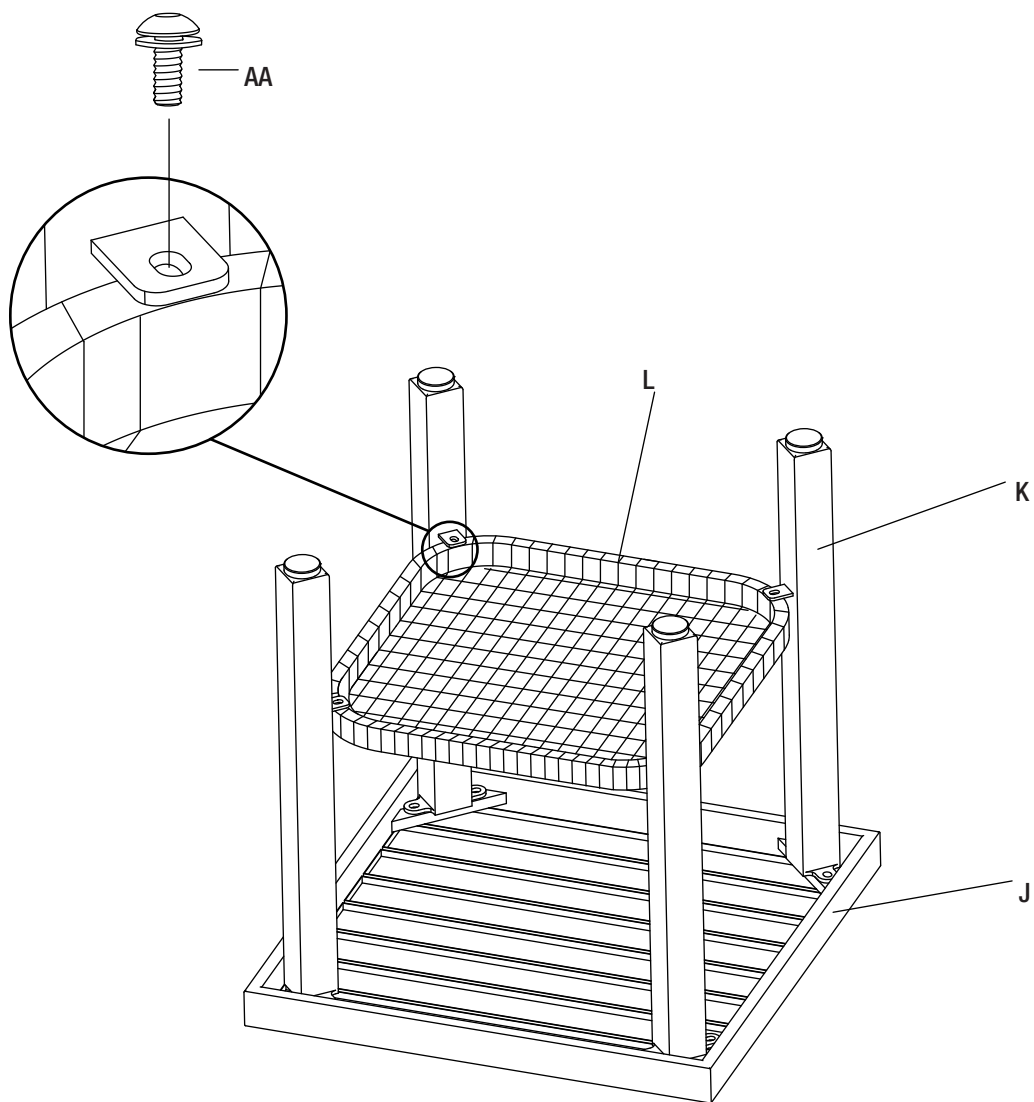
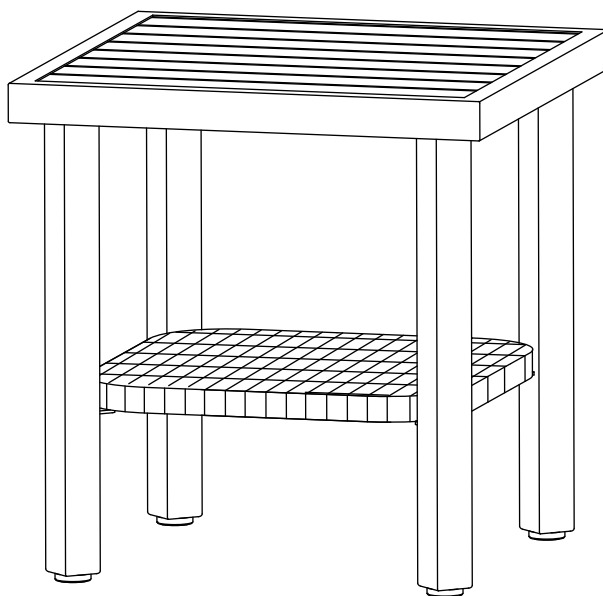


Table Assembly (continued)

3 CHECKING THE TABLE

- Ensure all connections are secure before use.



Care and Cleaning

- For best results, clean the frame and fabric with a damp cloth and dry thoroughly. This will help prevent mildew by removing dirt particles that may accumulate.
- Do not clean with abrasive materials, bleach, or solvents.
- Store the set in a dry, sheltered place when not in use.
- Keep the set away from fire, extreme heat, freezing conditions, and inclement weather such as rain, hail, sleet, snow, or wind.



Questions, problems, missing parts? Before returning to the store,
call Hampton Bay Customer Service.
8 a.m. - 7 p.m., EST, Monday - Friday, 9 a.m. - 6 p.m., EST, Saturday

1-855-HD-HAMPTON

HAMPTONBAY.COM

Retain this manual for future use.