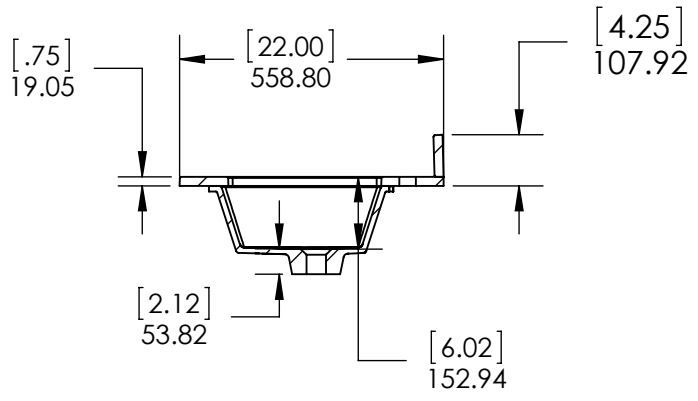
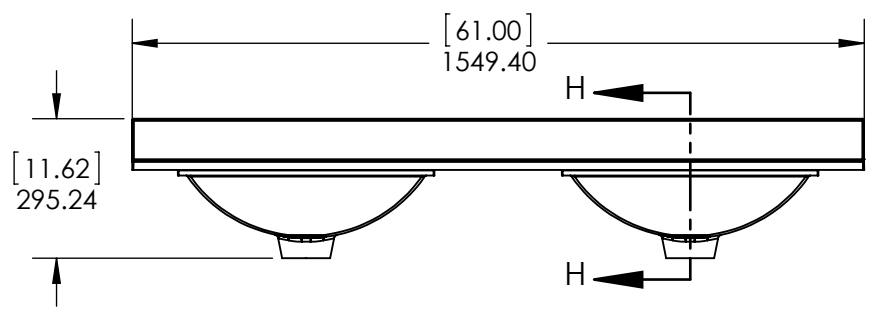
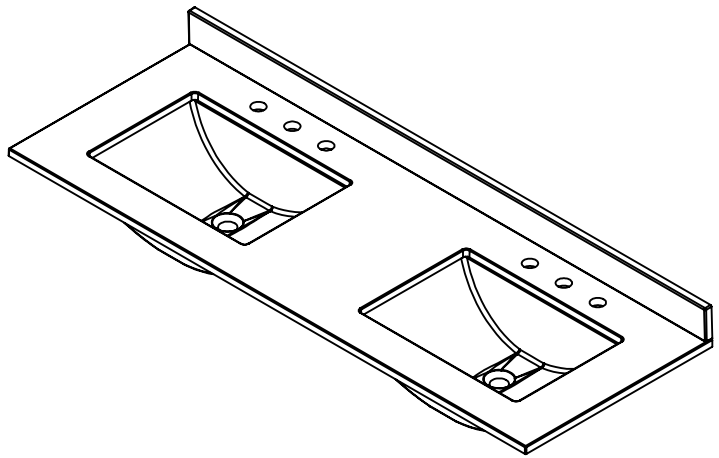
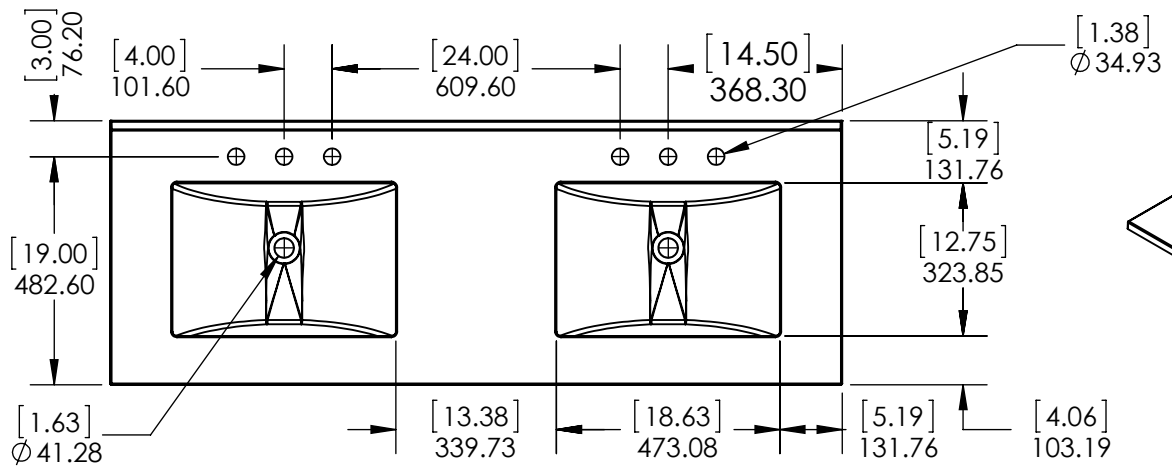


Rev #	Approved by	Change
0	R. Rubio	Released
1	R. Rubio	New Model Added
2	R. Rubio	New Models Added



PROPRIETARY AND CONFIDENTIAL
 THE INFORMATION CONTAINED IN THIS DRAWING IS THE SOLE PROPERTY OF WOODCRAFTERS. ANY REPRODUCTION IN PART OR AS A WHOLE WITHOUT THE WRITTEN PERMISSION OF WOODCRAFTERS IS PROHIBITED.

UNLESS OTHERWISE SPECIFIED
 DIMENSIONS ARE IN MM. AND (INCHES)
 TOLERANCES ARE
 +0.125 [3.175] -0.125 [-3.175]
 SCALE:1:16

	NAME	DATE
DRAWN	O. Razo	09/18/17
CHECKED	R. Rubio	09/18/17
ENG APPR.	R. Rubio	09/18/17
MFG APPR.	C. Leal	09/18/17

Wood Crafters

SIZE DWG. NO. **A** Shark Tank 61x22 Rect

SHEET 1 OF 3 REV. **2**

ID	Description	Technology	Status	Rev #	Approved by	Change
SS6122R-GI	Glacier Bay 61 in. Solid Surface Double Basin Vanity Top in Ginger with White Basins	Solid Surface	Approved for production	0	R. Rubio	Released
				1	R. Rubio	New Model Added
				2	R. Rubio	New Models Added
CP6122R-MA	Glacier Bay 61 in. Colorpoint Double Basin Vanity Top in Maui with White Basins	Color Point	Approved for production			
SE6122R-MI	Home Decorators 61 in. Stone Effects Double Basin Vanity Top in Mayan Ivory with White Basins	Stone Effect	Approved for production			
SE6122R-RU	Home Decorators 61 in. Stone Effects Double Basin Vanity Top in Rustic Gold with White Basins	Stone Effect	Approved for production			
SE6122R-WM	Home Decorators 61 in. Stone Effects Double Basin Vanity Top in Winter Mist with White Basins	Stone Effect	Approved for production			
SE6122R-DN	Home Decorators 61 in. Stone Effects Double Basin Vanity Top in Dune with White Basins	Stone Effect	Approved for production			
SE6122R-AV	Home Decorators 61 in. Stone Effects Double Basin Vanity Top in Avalon with White Basins	Stone Effect	Approved for production			
SE6122R-CO	Home Decorators 61 in. Stone Effects Double Basin Vanity Top in Cold Fusion with White Basins	Stone Effect	Approved for production			
SE6122R-CE	Home Decorators 61.00 in. Stone Effects Vanity Top in Carrera with White Basin	Stone Effect	Approved for production			
SE61R-PR	Vtop Rect 61x22 SE Pulsar 8in	Stone Effect	Approved for production			
SE61R-MG	Vtop Rect 61x22 SE Mineral Gray 8in	Stone Effect	Approved for production			


PROPRIETARY AND CONFIDENTIAL
 THE INFORMATION CONTAINED IN THIS DRAWING IS THE SOLE PROPERTY OF WOODCRAFTERS. ANY REPRODUCTION IN PART OR AS A WHOLE WITHOUT THE WRITTEN PERMISSION OF WOODCRAFTERS IS PROHIBITED.

UNLESS OTHERWISE SPECIFIED
 DIMENSIONS ARE IN MM. AND (INCHES)
 TOLERANCES ARE
 + 0.125 [3.175] - 0.125 [-3.175]
 SCALE:1:16

	NAME	DATE
DRAWN	O. Razo	09/18/17
CHECKED	R. Rubio	09/18/17
ENG APPR.	R. Rubio	09/18/17
MFG APPR.	C. Leal	09/18/17



ID	Description	Technology	Status	Rev #	Approved by	Change
SE6122R-LR	Vtop Rect 61x22in DB SE Lunar	Solid Surface	Approved for production	0	R. Rubio	Released
				1	R. Rubio	New Model Added
				2	R. Rubio	New Models Added
SE6122R-RS	Vtop Rect 61x22in DB SE River Stone	Stone Effect	Approved for production			

PROPRIETARY AND CONFIDENTIAL THE INFORMATION CONTAINED IN THIS DRAWING IS THE SOLE PROPERTY OF WOODCRAFTERS. ANY REPRODUCTION IN PART OR AS A WHOLE WITHOUT THE WRITTEN PERMISSION OF WOODCRAFTERS IS PROHIBITED.	UNLESS OTHERWISE SPECIFIED DIMENSIONS ARE IN MM. AND [INCHES] TOLERANCES ARE + 0.125 [3.175] - 0.125 [-3.175] SCALE:1:16		NAME	DATE		SIZE DWG. NO. SHEET 3 OF 3 A Shark Tank 61x22 Rect	REV. 2
		DRAWN	O. Razo	09/18/17			
		CHECKED	R. Rubio	09/18/17			
		ENG APPR.	R. Rubio	09/18/17			
		MFG APPR.	C. Leal	09/18/17			