

## Technical features

Technical drawing	Name	Material	Colour	Colour
	<b>SLIM</b>			Gloss White
	<b>AMBRA</b> 2 Drawers	  	  	Nordic Oak Samara Ash Gloss White
	<b>LEGS</b>			Chrome

## Technical information

STRUCTURE	MDF board in 58 in. continuous wrapping in 2D/ Cyclum Process.
FRONT	MDF board in 58 in. continuous wrapping in 2D/ Cyclum Process.
HANDLE	Integrated in the front of the furniture.
DRAWER	Drawers made in mokka textile poly laminate coated board with hidden partial extraction runners with soft close system. Includes organizer in upper drawer. Lower drawer useful space (widthxheightxdepth): 27 <sup>15/16</sup> x 4 <sup>7/16</sup> x 12 <sup>2/4</sup> in.
WALL HANGING BRACKET	Hidden hanging bracket of directly assembled with great resistance and depth regulations.
LEGS	Metallic in bright chrome finish. (optional)
PIPE DEPTH	Pipe depth 2 <sup>1/54</sup> in.

Collection  
Ambra

Model |  
Ambra 80

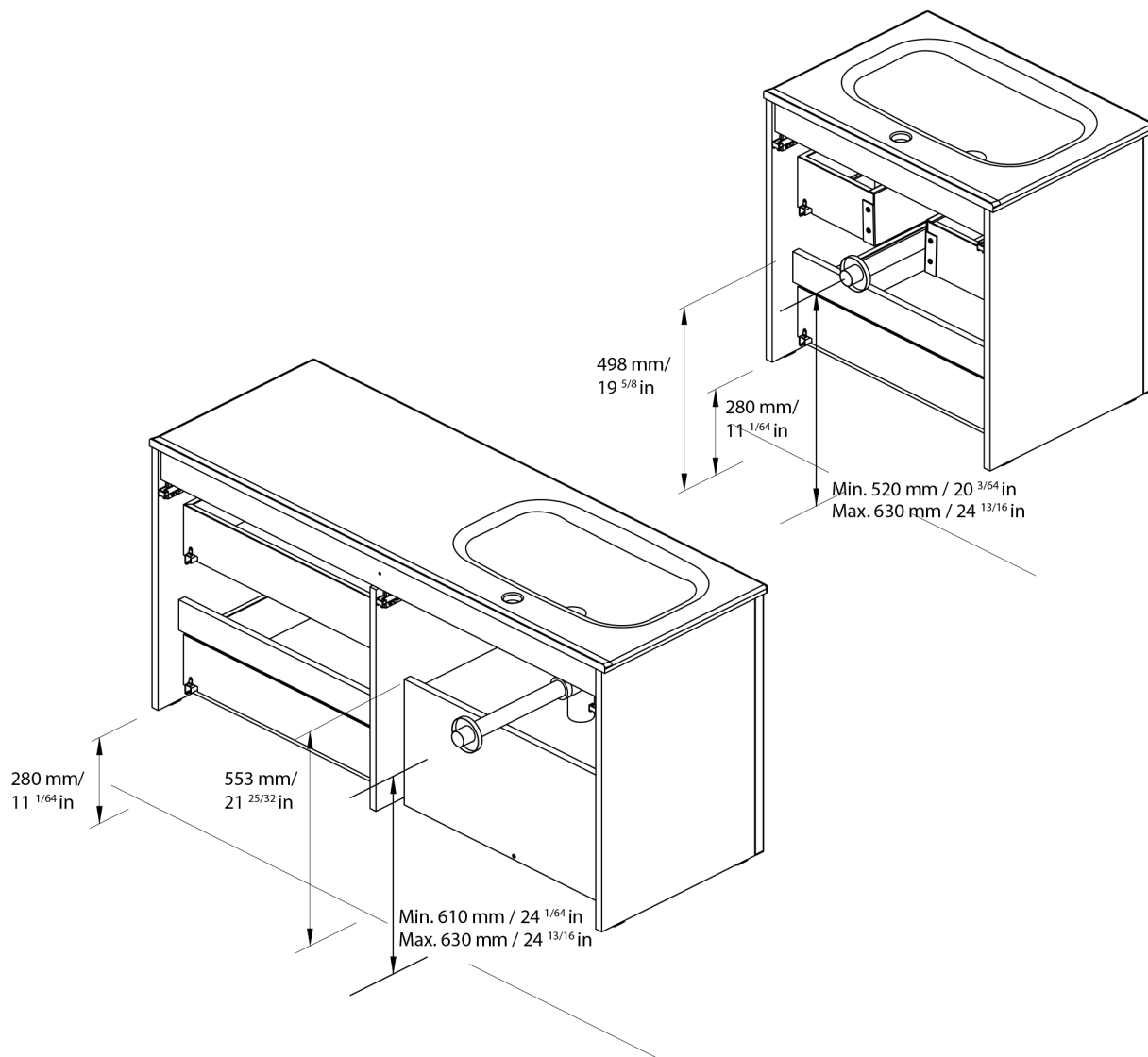
Dimensions Metric

1 inch = 2.54 cm  
1 inch = 25.4 mm

**WS**<sup>®</sup>  
BATH  
COLLECTIONS

1051 Lea Drive - Collegeville, PA 19426  
Tel. 215 513 9400 - Fax 610 831 0215

[www.ws bathcollections.com](http://www.ws bathcollections.com) - [info@ws bathcollections.com](mailto:info@ws bathcollections.com)



ES

EN

Las cotas indicadas en los dibujos son en función de la altura de la pata del conjunto, en caso de que el mueble vaya suspendido y esta altura no se respete, dichas cotas también variarán.

Dimensions indicated in the drawing are based on the level of the whole leg, in case of wall hanging the furniture dimensions also may vary.

Collection  
Ambra

Model |  
Ambra 80

Dimensions Metric

1 inch = 2.54 cm  
1 inch = 25.4 mm

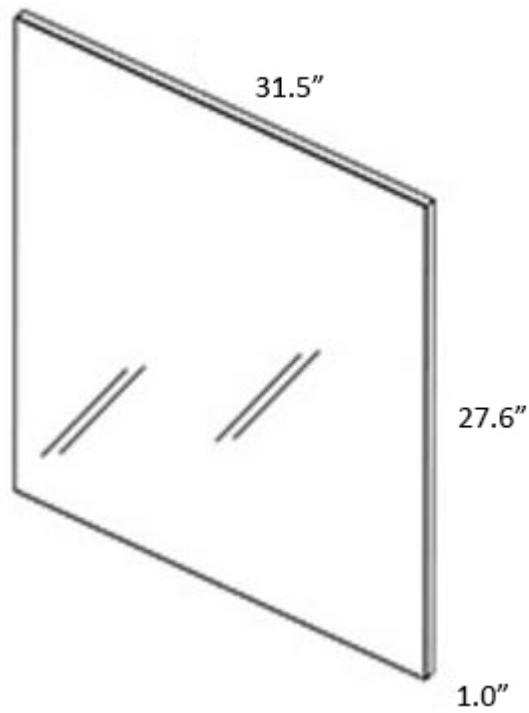
**WS**®

**BATH  
COLLECTIONS**

1051 Lea Drive - Collegeville, PA 19426

Tel. 215 513 9400 - Fax 610 831 0215

[www.ws bathcollections.com](http://www.ws bathcollections.com) - [info@ws bathcollections.com](mailto:info@ws bathcollections.com)



Collection  
Murano

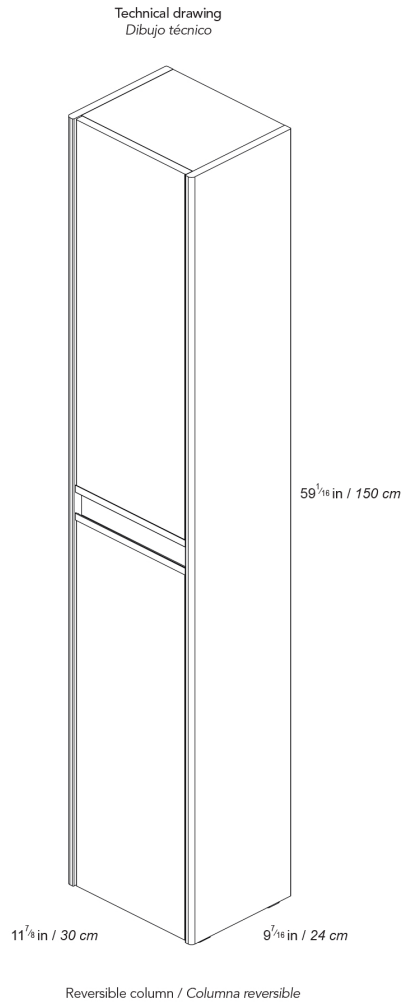
Model |  
Murano 80

Dimensions Metric  
*1 inch = 2.54 cm*  
*1 inch = 25.4 mm*

**WS**<sup>®</sup>  
**BATH**  
**COLLECTIONS**

1051 Lea Drive - Collegeville, PA 19426  
Tel. 215 513 9400 - Fax 610 831 0215  
[www.ws bathcollections.com](http://www.ws bathcollections.com) - [info@ws bathcollections.com](mailto:info@ws bathcollections.com)

Technical features / Características técnicas



Name  
Nombre

Material  
Material

Colour  
Color



**AMBRA**

2 Doors  
2 Puertas



Technical information / Información técnica

STRUCTURE /  
ESTRUCTURA: MDF board in 58 in. continous wrapping in 2D/ Cyclum Process.  
Tablero de DM de 16 mm. con recubrimiento 2D Cyclum Process.

FRONT /  
FRENTE: MDF board in 58 in. continous wrapping in 2D/ Cyclum Process.  
Tablero de DM de 16 mm. con recubrimiento 2D Cyclum Process.

HANDLE /  
TIRADOR: Integrated in the front of the furniture.  
Tirador integrado en el frente.

INTERNAL DISRTIBUTION/  
DISTRIBUCIÓN INTERNA: 2 mobile wooden shelves and 1 fixed wooden shelf.  
2 estantes móviles de madera y 1 estante fijo de madera.

HINGE /  
BISAGRA: 105° opening, Ø13/8 in. cap, easy assembly and soft close system.  
105° de apertura, cazoleta de Ø35 mm., montaje rápido y cierre amortiguado incorporado.

Collection  
Ambra

Model |  
Ambra Column

Dimensions Metric

1 inch = 2.54 cm  
1 inch = 25.4 mm

**WS**<sup>®</sup>  
BATH  
COLLECTIONS

1051 Lea Drive - Collegetown, PA 19426  
Tel. 215 513 9400 - Fax 610 831 0215

[www.wsbathcollections.com](http://www.wsbathcollections.com) - [info@wsbathcollections.com](mailto:info@wsbathcollections.com)

We recommend the following items that work with your sink.

## TRAPS



WSBC 53922  
*Our best seller*

## DRAINS



WSBC 53991  
Push waste drain (click clack)  
*with overflow*

## MOUNTING HARDWARE

### Wall-mount installation

### Vessel/ countertop installation



Bolts



Silicone (*optional*)

Collection  
Ambra

Model |  
Ambra 80

Dimensions Metric  
*1 inch = 2.54 cm*  
*1 inch = 25.4 mm*

**WS**®  
**BATH**  
**COLLECTIONS**

1051 Lea Drive - Collegeville, PA 19426  
Tel. 215 513 9400 - Fax 610 831 0215

[www.ws bathcollections.com](http://www.ws bathcollections.com) - [info@ws bathcollections.com](mailto:info@ws bathcollections.com)