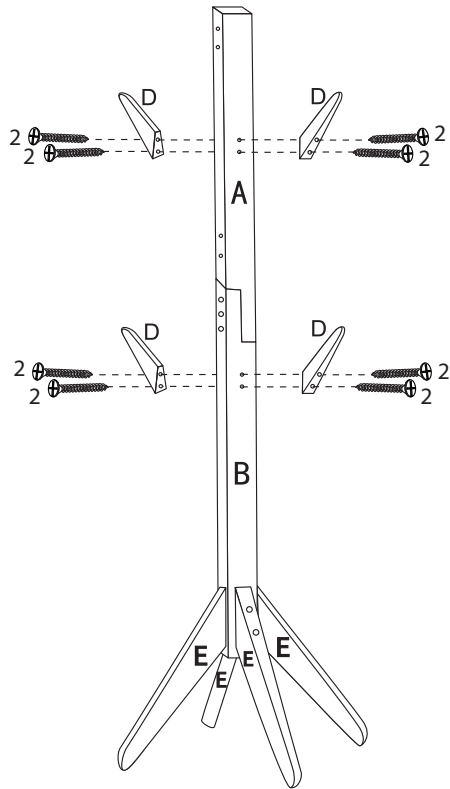
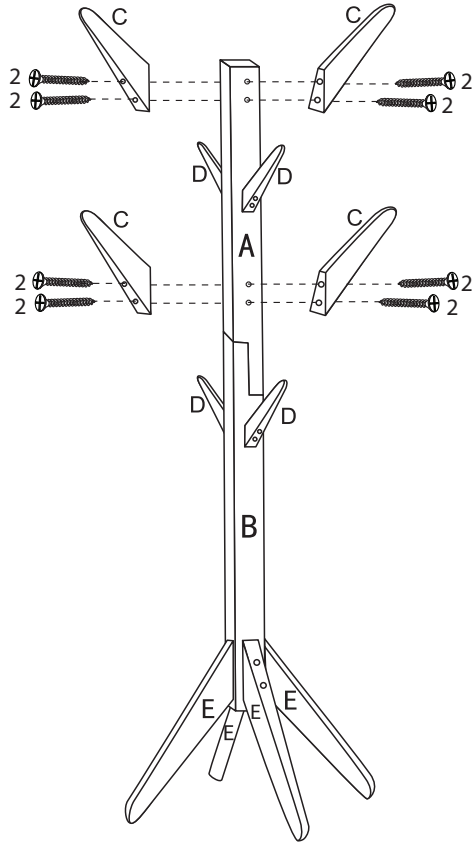


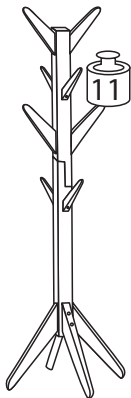
STEP 3



STEP 4



Recommended Maximum Weight



*Unit in Pound(lbs)

WARNING:

>This unit has been designed to support the maximum loads shown. Exceeding these load limits could cause sagging, instability, product collapse, and/or serious injury.

>DO NOT allow children to climb on unit.

>Put heavier items on lower shelves.



Assembly Instruction

Furinno Yaotai Hat and Coat Rack Stand

MODEL : **FNAK-11122**

00:30

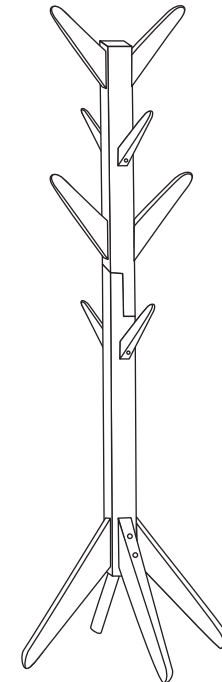
Approx. 30 minutes



Recomm. 1 Person



Tool Required








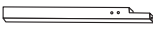



Customer Support

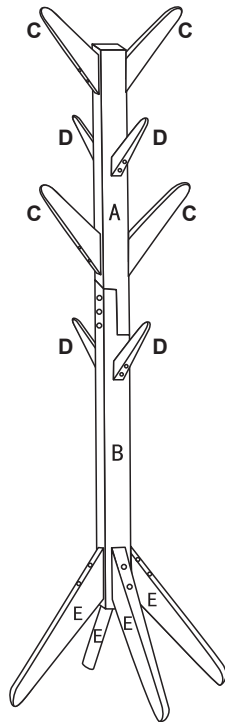
NEED HELP? For replacement requests or product inquiries, please contact our Customer Service Team by emailing us at support@furinno.com. Thank you for selecting Furinno!

www.furinno.com



| No | Hardware List | Qty |
|----|--|-------|
| 1 | Allen Wrench  | 1pc |
| 2 | Self Tapping Screw  | 24pcs |
| 3 | Hexagon Socket Screw  | 2pcs |
| 4 | Bolt and Nut  | 1pc |

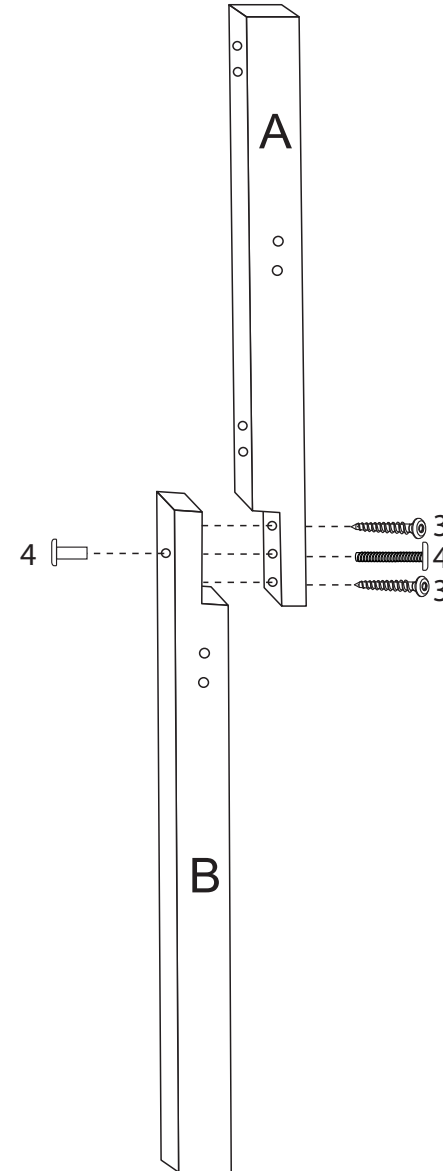
| No | Parts List | Qty |
|----|---|------|
| A | Upper Pole  | 1pc |
| B | Lower Pole  | 1pc |
| C | Upper Support  | 4pcs |
| D | Lower Support  | 4pcs |
| E | Bottom Stand  | 4pcs |



USEFUL HINTS BEFORE YOU START:

1. Read each step carefully before starting.
2. It is important that each step is performed in correct order to avoid difficulties.
3. Identify, sort and count the parts before assembly.
4. Assemble your furniture on packaging cardboard to prevent scratch or damage.
5. Clean the product with mild cleanser using soft damped cloth. Do not use harsh or abrasive cleanser.
6. Using incompatible hardware might cause damage to product.

STEP 1



STEP 2

