

MODEL NUMBER:

ST-60HB2-GFA

CONSUMER: READ AND SAVE THESE INSTRUCTIONS

⚠ DANGER

GENERAL HAZARD WARNING:

FAILURE TO COMPLY WITH THE PRECAUTIONS AND INSTRUCTIONS PROVIDED WITH THIS HEATER CAN RESULT IN DEATH, SERIOUS BODILY INJURY, AND PROPERTY LOSS OR DAMAGE FROM HAZARDS OF FIRE, EXPLOSION, BURN, ASPHYXIATION, CARBON MON-OXIDE POISONING AND / OR ELECTRIC SHOCK.

ONLY PERSONS WHO CAN UNDERSTAND AND FOLLOW THE INSTRUCTIONS, SHOULD USE OR SERVICE THIS HEATER. IF YOU NEED ASSISTANCE OR HEATER INFORMATION SUCH AS AN INSTRUCTIONS, MANUAL, LABEL, ETC., CONTACT THE MANUFACTURER.

⚠ WARNING

FIRE, BURN, INHALATION, AND EXPLOSION HAZARD. KEEP SOLID COMBUSTIBLES, SUCH AS BUILDING MATERIALS, PAPER, OR CARDBOARD, A SAFE DISTANCE AWAY FROM THE HEATER AS RECOMMENDED BY THESE INSTRUCTIONS. NEVER USE THE HEATER IN SPACES WHICH DO OR MAY CONTAIN VOLATILE OR AIRBORNE COMBUSTIBLES, OR PRODUCTS SUCH AS GASOLINE, SOLVENTS, PAINT THINNERS, DUST PARTICLES, OR UNKNOWN CHEMICALS.

⚠ WARNING

ONLY USE AT 0-2000 FT (0-610 M) ALTITUDE.

Factory ID: 609



TABLE OF CONTENTS

Safety Information.....	2-4	Ventilation.....	8
Unpacking.....	4	Storage/Maintenance.....	8
Specifications.....	5	Wiring Diagrams.....	9
Features.....	5	Troubleshooting Guide.....	10
What's in the Box.....	5	Limited Warranty.....	11
Operation.....	6-8		

⚠ DANGER

Carbon Monoxide Hazard: This heater produces carbon monoxide, which has no odor. Burning the heater in an enclosed space can kill you. Never use the heater in enclosed spaces such as a tent, a camper, any vehicle, or recreational vehicle (RV), enclosed shelter, or any other enclosed areas.

⚠ DANGER

If the information in this manual is not followed exactly, a fire or explosion may result causing property damage, personal injury, or loss of life.

⚠ DANGER

Not for use in residential living areas or in inadequately ventilated enclosed spaces. Never bring or store a propane cylinder indoors.

⚠ WARNING

NOT FOR HOME OR RECREATIONAL VEHICLE USE.

⚠ WARNING

DO NOT OPERATE THIS HEATER UNTIL YOU HAVE READ AND THOROUGHLY UNDERSTAND THESE SAFETY AND OPERATING INSTRUCTIONS.

Failure to comply with the precautions and instructions provided with this heater can result in death, serious bodily injury, property loss, or damage from the hazards of fire, explosions, burns, asphyxiation, or carbon monoxide poisoning. Only persons who can read and understand these instructions should use or service this heater.

⚠ WARNING

This is an unvented portable heater. It uses air (oxygen) from the area in which it is used. Adequate combustion and ventilation air must be provided. Refer to VENTILATION on Page 8.

⚠ WARNING

This product contains chemicals, including lead, which are known to the State of California to cause cancer and birth defects or other reproductive harm. For more information go to www.P65Warnings.ca.gov.

This heater is designed and approved for use as a construction heater in accordance with Standard ANSI Z83.7-2011/CSA 2.14-2011. CHECK WITH YOUR LOCAL FIRE SAFETY AUTHORITY IF YOU HAVE ANY QUESTIONS ABOUT APPLICATIONS. Other standards govern the use of fuel gases and heating products for specific uses. Your local authority can advise you about these.

SAFETY INFORMATION (CONT.)

⚠ WARNING RISK OF INDOOR AIR POLLUTION!

The products described in this manual are propane direct-fired, forced air heaters. Propane forced air heaters are primarily intended for use for temporary heating of buildings under construction, alteration or repair. Direct-fired means that all of the combustion products of the heater enter the heated space. This appliance is rated at 98% combustion efficiency, but does produce small amounts of carbon monoxide.

⚠ DANGER CARBON MONOXIDE POISONING WILL LEAD TO DEATH!

Carbon monoxide is toxic. Humans can tolerate only small amounts of carbon monoxide and so precautions should be taken to provide proper ventilation. Failure to provide proper ventilation in accordance with the instructions in this manual can result in death.

People with breathing problems should consult a physician before using this heater. Early signs of carbon monoxide poisoning resemble the flu. Symptoms of improper ventilation / carbon monoxide poisoning are:

- Headache • Dizziness • Nausea • Dry Mouth Sore Throat • Burning of Nose and Eyes**

If you experience any of these symptoms: **GET FRESH AIR AT ONCE!** Have your heater serviced and check for proper ventilation. Some people are more affected by carbon monoxide than others. These include: pregnant women, those with heart or lung problems, anemia, or those under the influence of alcohol, or at high altitudes.

FOR OUTDOOR USE. INDOOR USE PERMITTED ONLY FOR: The temporary heating of adequately ventilated buildings or structures under construction, alteration or repair! Provide at least a three square foot (2,800 sq. cm) opening of outside air for every 100,000 BTU / Hr (29 kW) heater rating. Refer to Ventilation on Page 8 for further instructions.

⚠ DANGER PROPANE IS AN EXPLOSIVE GAS.

WHAT TO DO IF THE SMELL OF GAS IS PRESENT:

- DO NOT attempt to light the heater.
- Extinguish any open flame.
- Shut off gas to heater.
- If odor continues, contact your local gas supplier or fire department.
- DO NOT touch or use any electric switch or any electric device that can cause a spark.
- Immediately call your gas supplier from a safe location. Follow the gas suppliers instructions.
- If you can not reach your gas supplier, call the fire department.
- Service must be done by a qualified service agency.

⚠ WARNING RISK OF BURNS, FIRE AND EXPLOSION!

- NEVER store or use gasoline or other flammable vapors and liquids in the vicinity of this heater.
- NEVER store a propane (LP) cylinder not connected to this heater in the vicinity of this heater.
- NEVER connect heater to an unregulated gas supply.
- NEVER obstruct the flow of combustion and ventilation air (the front and rear of heater).
- NEVER use duct work in front or rear of heater.
- NEVER modify this heater or operate a heater that has been modified.
- NEVER service, move, or handle heater while still hot or operating.
- Keep all combustible materials away from this heater.

Minimum Clearance From Combustibles			
Sides	Top	Front	Rear
24 in.	36 in.	72 in.	24 in.
61 cm	92 cm	183 cm	61 cm

- ALWAYS use the electrical power (voltage and frequency) specified on the model plate of the heater.
- ALWAYS use only 14 AWG or better extension cord.
- ALWAYS unplug the heater when not in use.

⚠ WARNING CAUTION! HOT WHILE IN OPERATION. DO NOT TOUCH. KEEP CHILDREN, ANIMALS, CLOTHING AND COMBUSTIBLES AWAY FROM HEATER.

SAFETY INFORMATION (CONT.)

⚠ WARNING RISK OF ELECTRIC SHOCK!

⚠ WARNING Electrical Grounding Instructions: This appliance is equipped with a 3-prong (grounding) plug for your protection against shock hazard and should be plugged directly into a properly grounded 3-prong receptacle.

⚠ WARNING For use with propane (LP) gas only.

ALWAYS install the heater so that it is not directly exposed to water spray, rain, dripping water, or wind.

- Use heater in accordance with all local codes. In the absence of local codes, refer to The National Fuel Code, ANSI A223.1/NFPA 54.
- This heater is shipped from the factory for use with propane (LP) gas only. Do not convert to any other gas. Installation must conform to local codes or, in their absence, with the standard for the Storage and Handling of Liquefied Petroleum Gases ANSI/NFPA 58 and the Natural Gas and Propane Installation Code CSA B149.1.
- Gas supply connections should be checked by using a 50/50

soap and water solution. Never use a flame to check for gas leaks.

- Locate LP cylinder at least 6 ft. (183 cm) (10 ft./305 cm in Canada) from the heater, and do not direct heater discharge towards the LP cylinder unless it is at least 20 feet (610 cm) from the heater.
- Use only the regulator and hose assembly provided with this heater. Inspect the regulator/hose assembly prior to each use of the heater. If there is excessive abrasion or wear, or if the hose is cut, replace it with the proper assembly.

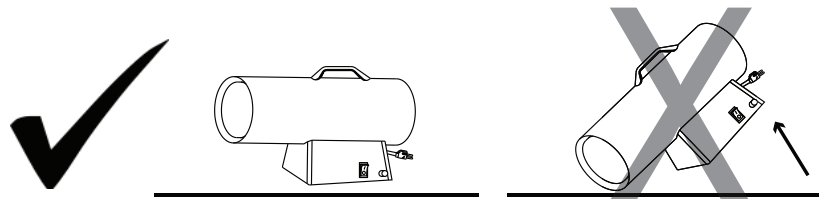
Manifold, Minimum, and Maximum Inlet Pressure

	ST-60HB2-GFA
Man.	5 PSI
Min.	25 PSI
Max.	250 PSI

⚠ WARNING The hose assembly shall be protected from traffic, building material, and contact with hot surfaces during use and while in storage.

⚠ WARNING RISK OF FIRE! DO NOT POSITION HEATER IN A DOWNWARD ANGLE. ALWAYS LOCATE HEATER ON A STABLE AND LEVEL SURFACE (SEE FIGURE 1)!

Figure 1



UNPACKING

1. Remove all packing items applied to heater for shipment. Keep plastic cover caps attached to inlet connector and hose / regulator assembly for storage.
2. Remove all items from carton.
3. Check all items for shipping damage. If the heater is damaged, promptly inform dealer where you purchased the heater.

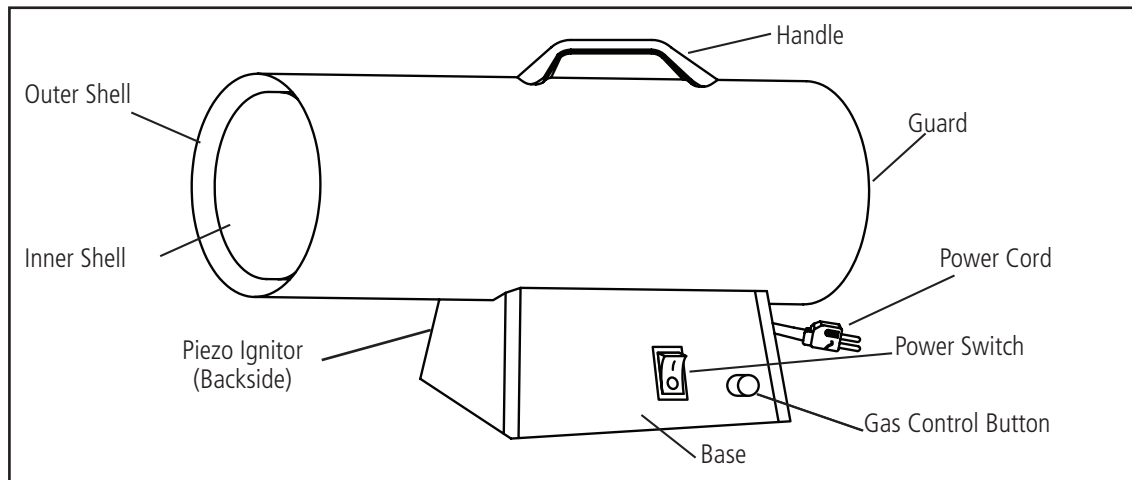
⚠ CAUTION The Propane (LP) gas pressure regulator and hose assembly supplied with the heater must be used without alteration.

SPECIFICATIONS

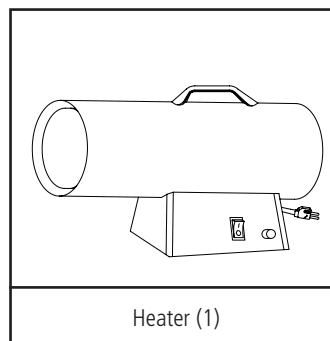
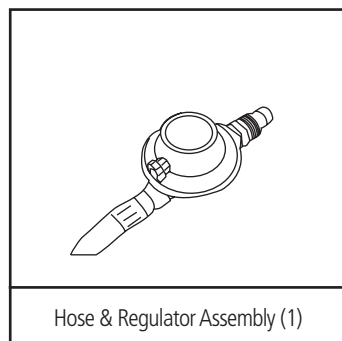
Model #	ST-60HB2-GFA
BTU	60,000
Fuel Consumption - Lb./hr (kg/hr)	2.75 (1.25)
Maximum Operating Hours	8
Required Cylinder - Lb. (kg)	20 (9)
Fuel Type	Propane
Heating Area - Ft. ² (m ²)	1500 (139)
Air Flow (CFM)	300
Max Outlet Temp - °F (°C)	491 (255)
Volts: AC/Hz	120V / 60Hz
Amps	0.6 A

Specifications subject to change without notice.

FEATURES



WHAT'S IN THE BOX



OPERATION

Propane Supply / Information:

Propane (LP)

This heater is not supplied with a propane cylinder. Use only an approved propane cylinder.

LP Characteristics

- Flammable, explosive under pressure, heavier than air and pools in low areas.
- In its natural state, propane has no odor, but for your safety an odor that smells like rotten cabbage has been added.
- Contact of propane (LP) gas with the skin can cause freeze burns.
- Heater is manufactured for use with propane gas only. DO NOT attempt to convert to any other gas. Such modifications are dangerous and will void the warranty.
- When heater is not in use, LP cylinder must be turned OFF.
- Be sure that the LP cylinder is located on a level and stable surface.
- DO NOT use this heater in a basement or below ground level. Propane is heavier than air and will always seek the lowest level. If you suspect a leak, shut off the valve at the LP cylinder immediately.

The propane (LP) cylinder must also be equipped with the following:

- A collar to protect the gas valve.
- A shut-off valve terminating a LP cylinder valve outlet as specified in the American National Standard for Compressed Gas Cylinder Valve Outlets and Inlets Connections.
- A safety relief valve having direct communications with the vapor space of the LP cylinder.
- The heater must operate on vapor withdrawal from the operating cylinder.

The amount of Propane (LP) used with this heater varies due to:

- The amount of gas in the cylinder of LP.
- The temperature of the LP tank and its surroundings.

Minimum Number of LP Cylinders	
Average Temp (°F / °C)	60HB2-GFA 100 lb. (45 kg) cylinder
32° / 0°	1
20° / -7°	1
10° / -12°	1
0° / -18°	1
-10° / -23°	2
-20° / -29°	2

The table above shows the minimum number of 100 lb. (45 kg) LP cylinders required in cold weather. Your local LP dealer will help you select the proper LP supply system.

CAUTION

Propane is safe to use when properly handled. Careless handling of the LP cylinder could result in a fire and / or an explosion.

- Always keep LP cylinder fastened and upright.
- Avoid tipping the LP cylinder on its side when connected to a regulator, since this may cause damage to diaphragm in the regulator.
- Handle valves with care.
- Never connect an unregulated LP cylinder to a construction heater.
- DO NOT subject LP cylinder to excessive heat.
- Tightly close the gas shutoff valve on the LP cylinder after each use.
- All fittings must be protected when disconnected from the LP cylinder.
- Never store an LP cylinder inside a building or in the vicinity of any gas burning appliances.

OPERATION (CONT.)

CAUTION

The disconnected tank must never be stored in a building, garage, or any other enclosed area.

Pre-Lighting Instructions:

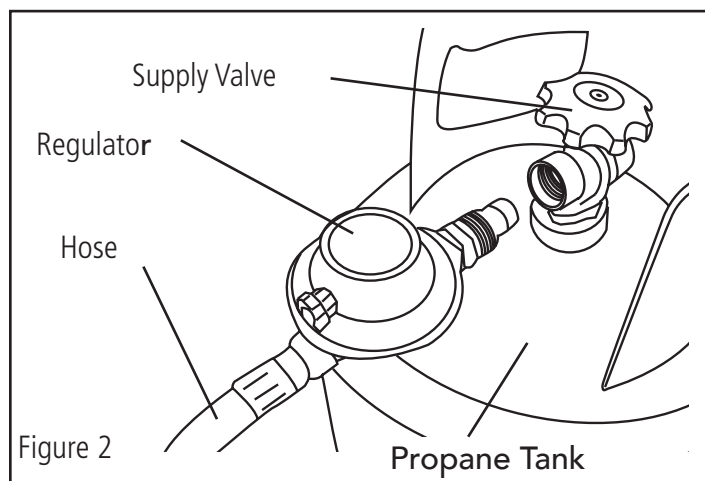
WARNING

Purging and filling of the LP cylinders must be performed by personnel who have been thoroughly trained in accepted LP gas industry procedures. Failure to follow these instructions may result in explosion, fire, severe personal injury, or death.

Connecting the LP Cylinder

ALL NEW LP CYLINDERS MUST BE PURGED BEFORE THE FIRST FILLING.

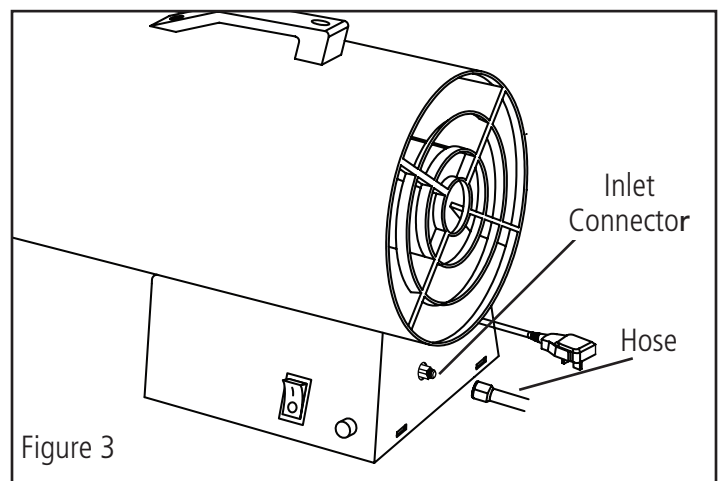
- Turn heater gas valve switch button and LP cylinder valve to OFF position.
- LP cylinder valve equipped with old style fitting has LEFT HANDED THREADS. Turn fitting CLOCKWISE to loosen. Protect this fitting when disconnected from LP cylinder.
- Have your LP cylinder filled by your local propane gas supplier.
- Some LP cylinders have a bleed-OFF valve. This valve should be inspected for leaks after each filling of the LP cylinder. Turn the valve clockwise to close.
- Fasten full propane tank and connect proper fitting to LP cylinder valve by turning COUNTER-CLOCKWISE (see Figure 2 and 3).



- With heater gas valve switch button still in OFF position turn ON the LP cylinder valve and check for leaks with soap solution (see below).

Checking For Leaks

- To check for leaks, make up a 50/50 solution of dish soap and water. Apply this solution to all gas connections. If bubbles appear, there is a leak. If a leak is found, turn off the gas supply and re-connect the leaking connection. If the leak persists after several tries, contact Pinnacle Climate Technologies at 800-641-6996.
- The installation of this heater must meet all local codes and / or gas utility requirements. In the absence of local codes, the National Fuel Code ANSI Z223.1 / NFPA 54 should be followed.
- The minimum clearances to any combustible construction materials must be maintained at all times (see Page 3).
- Inspect the heater before each use, and at least annually by a qualified service person.



OPERATION (CONT.)

Lighting Instructions:

Starting the Heater (Ignition)

1. Connect the heater to a 3-prong (grounded) power source. If extension cord is required, it must be a 3-prong (grounded) extension cord that is at least 6 feet long is a minimum of 14 AWG.
2. Connect heater to a proper LP cylinder.
3. Wait five (5) minutes for any gas to clear. Smell for gas. If you do not smell gas, go to step 4.
4. Turn gas supply ON by turning the LP cylinder valve COUNTERCLOCKWISE to OPEN.
5. Push the power switch to ON. The fan should start running.
6. Press and hold the Gas Control Button. While it is pressed, push the piezo ignition button on the opposite side of the base until fuel ignites. Continue to hold the Gas Control Button for 30 seconds.
7. If the burner doesn't stay lit, repeat lighting procedures.

Shutdown Instructions

To Shut Off the Heater:

1. Turn gas supply OFF by turning the LP cylinder valve CLOCKWISE to close.
2. Continue to operate the heater until all the gas in the hose has burned and there is no more flame.
3. Disconnect the power cord.

NOTE: Heater surface temperature must be cold before initiating service, cleaning or storage.

⚠ DANGER

CARBON MONOXIDE POISONING MAY LEAD TO DEATH!

⚠ DANGER

Not for use in residential living areas or in inadequately ventilated, enclosed spaces.

VENTILATION

- Risk of indoor air pollution and carbon monoxide poisoning. Use heater only in well ventilated areas.
- Refer to Safety Information on Pages 2 and 3 for information about carbon monoxide poisoning.
- **ALWAYS** provide a fresh air opening in the heated space of at least three square feet (2,800 sq. cm) for each 100,000 BTU / Hr (29 kW). of heater output. Provide a larger opening if more heaters are being used.

Minimum Ventilation Opening Needed

60HB2-GFA
1.8 ft. ²
1670 cm ²

STORAGE / MAINTENANCE

Always disconnect the heater from the LP cylinder before putting the heater into storage. If for any reason the heater is to be stored indoors, the tank **MUST** be disconnected from the LP cylinder, and the cylinder stored outdoors in a well-ventilated area, out of the reach of children, and in accordance with the Standard for Storage and Handling of Petroleum Gases, ANSI/NFPA 58 - latest edition and Natural Gas and Propane Installation Code, CSA B149.1. The plastic valve plug or valve cover supplied with the cylinder must be re-installed on the valve to protect the fitting from damage.

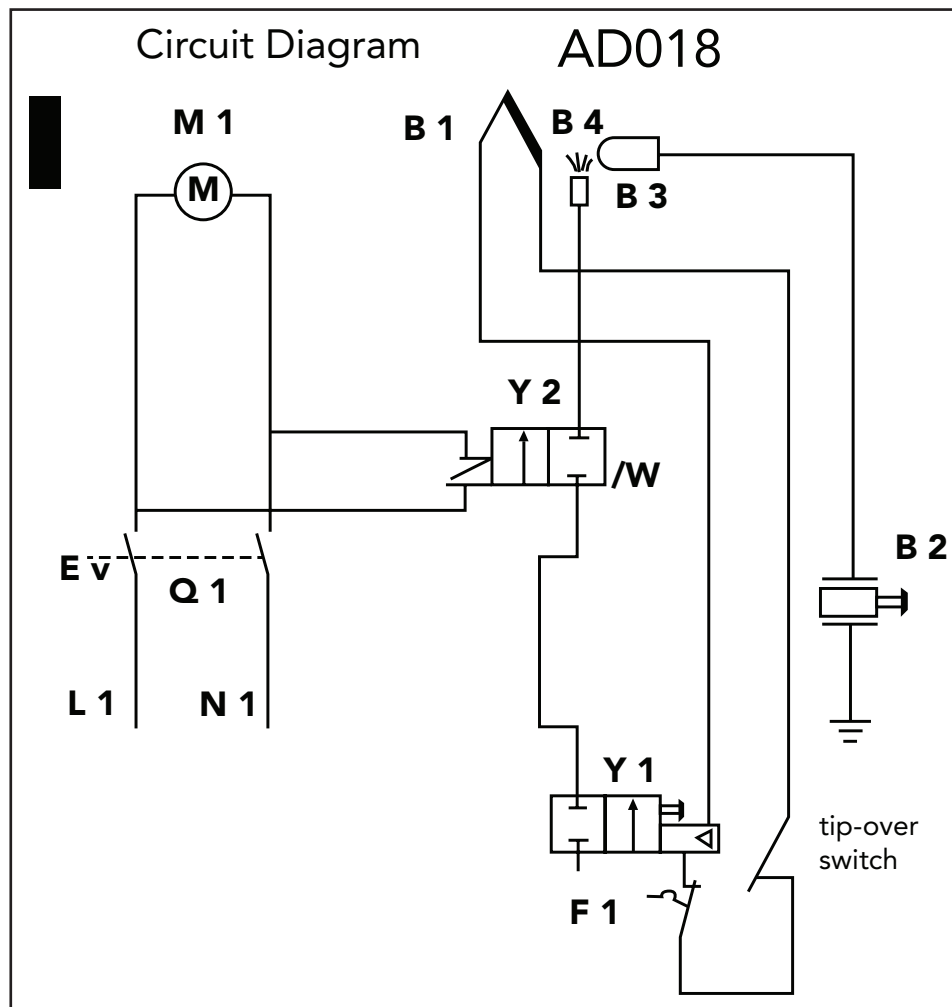
NOTE: Installation and repair of this heater should be done by a qualified service person.

ALWAYS be sure to follow proper maintenance procedures. This should include cleaning the inside of the heater once a month and checking the spark gap at least once a heating season. Re-gap the terminals to 0.160" (4mm).

⚠ DANGER Never store an LP cylinder inside of a building or near any other gas or oil burning appliances.

WIRING DIAGRAMS

60HB2-GFA



TROUBLESHOOTING GUIDE

Problem	Possible Cause(s)	Solution
Fan does not turn when electricity is connected.	<ol style="list-style-type: none"> 1. No electric power to heater. 2. Power switch is off. 3. Blades of fan in contact with heater housing. 4. Fan blades bent. 5. Fan motor defective. 	<ol style="list-style-type: none"> 1. Check current at outlet. If voltage is correct, inspect extension and power cords for cuts, frays or breaks. 2. Press red power switch to ON. 3. Check housing for damage. Be sure there are no dents in the housing obstructing the fan. 4. Straighten all fan blades. 5. Replace motor assembly.
Heater will not fire (ignite).	<ol style="list-style-type: none"> 1. No spark at module. 2. Incorrect spark gap. 3. Corroded electrode. 	<ol style="list-style-type: none"> 1. Inspect module wire. Reattach or tighten if loose. Inspect spark module. Inspect all other electrical components. 2. Set plug gap to 0.16" (4 mm). 3. Clean electrode.
Heater stops running by itself.	<ol style="list-style-type: none"> 1. Temperature inside heater is too high, causing thermal switch to shut down operation. 2. Dust or debris accumulated in heater. 	<ol style="list-style-type: none"> 1. If the heater input or output is restricted, the inside temperature can become too hot. Keep the areas in front and behind heater clear of obstructions. 2. Clean inside of heater.

QUESTIONS, PROBLEMS, MISSING PARTS?

Before returning to your retailer, call our Pinnacle Climate Technologies Customer Service Department at 800-641-6996 or email sales@pinnacleclimate.com.

LIMITED WARRANTY

Pinnacle Climate Technologies, Inc. warrants this heater to the original retail purchaser only, to be free from defects in material and workmanship for a period of one (1) year from the date of initial purchase. This product must be properly installed, maintained and operated in accordance with the instructions provided.

Pinnacle Climate Technologies, Inc. requires reasonable proof of your date of purchase from an authorized retailer or distributor. Therefore, you should keep your sales slip, invoice or cancelled check from the original purchase. This Limited Warranty shall be limited to the repair or replacement of parts, which prove defective under normal use and service within the warranty period, and which Pinnacle Climate Technologies, Inc. shall determine at its reasonable discretion.

This warranty does not apply to products purchased for rental use.

This Limited Warranty does not cover any failures or operating difficulties due to normal wear and tear, accident, abuse, misuse, alteration, misapplication, improper installation or improper maintenance and service by you or any third party. Failure to perform normal and routine maintenance on the heater, shipping damage, damage related to insects, birds or animals of any kind, and damage due to weather conditions are also not covered. In addition, the Limited Warranty does not cover damage to the finish, such as scratches, dents, discoloration, rust or other weather damage, after purchase.

All transportation costs for the return of damaged product or parts will be the responsibility of the purchaser. Upon receipt of damaged item, Pinnacle Climate Technologies, Inc. will examine the item and determine if defective. Pinnacle Climate Technologies, Inc. will repair

or replace and return the item, freight pre-paid. If Pinnacle Climate Technologies, Inc. finds the item to be in normal operating condition, or not defective the item will be returned freight collect. This Limited Warranty is in lieu of all other express warranties. Pinnacle Climate Technologies, Inc. disclaims all warranties for products that are purchased from sellers other than authorized dealers or distributors.

AFTER THE PERIOD OF THE ONE (1) YEAR EXPRESS WARRANTY EXPIRES, Pinnacle Climate Technologies, Inc. DISCLAIMS ANY AND ALL IMPLIED WARRANTIES, INCLUDING WITHOUT LIMITATION THE IMPLIED WARRANTIES OF MERCHANTABILITY AND FITNESS FOR A PARTICULAR APPLICATION. FURTHER, Pinnacle Climate Technologies, Inc. SHALL HAVE NO LIABILITY WHATSOEVER TO PURCHASER OR ANY THIRD PARTY FOR ANY SPECIAL, INDIRECT, PUNITIVE INCIDENTAL, OR CONSEQUENTIAL DAMAGES. Pinnacle Climate Technologies, Inc. assumes no responsibility for any defects caused by third parties. This Limited Warranty gives the purchaser specific legal rights; a purchaser may have other rights depending upon where he or she lives. Some states do not allow the exclusion or limitation of special, incidental or consequential damages, or limitations on how long a warranty lasts, so the above exclusion and limitations may not apply to you.

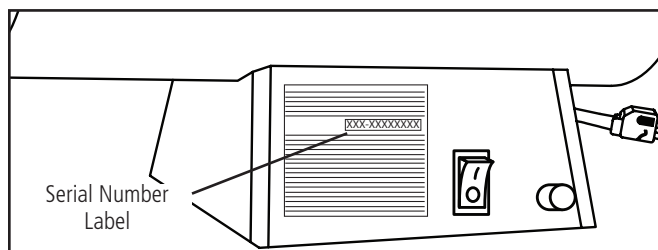
Pinnacle Climate Technologies, Inc. does not authorize any person or company to assume for it any other obligation or liability in connection with the sale, installation, use, removal, return or replacement of its equipment, and no such representations are binding on Pinnacle Climate Technologies, Inc.

Always be sure to specify the model number and serial number when making any claim with Pinnacle Climate Technologies, Inc. For your convenience, use the space provided below to list this information.

Model #: _____

Serial #: _____

Date of Purchase: _____



NUMÉRO DE MODÈLE :

ST-60HB2-GFA

NOTE AU CLIENT : LIRE ET CONSERVER CE MANUEL POUR CONSULTATION ULTÉRIEURE

▲ DANGER

AVERTISSEMENT GÉNÉRAL DE DANGER :

LE NON-RESPECT DES MISES EN GARDE ET DES INSTRUCTIONS FOURNIES AVEC CETTE CHAUFFERETTE PEUT ENTRAÎNER LA MORT, DE GRAVES BLESSURES ET DES DOMMAGES MATÉRIELS RÉSULTANT D'UN INCENDIE, D'UNE EXPLOSION, DE BRÛLURES, D'ASPHYXIE, D'EMPOISONNEMENT AU MONOXYDE DE CARBONE ET/OU D'UNE DÉCHARGE ÉLECTRIQUE.

SEULES LES PERSONNES CAPABLES DE COMPRENDRE ET DE SUIVRE LES INSTRUCTIONS DOIVENT SE SERVIR DE CETTE CHAUFFERETTE OU LA RÉPARER. POUR OBTENIR DE L'AIDE OU DES INFORMATIONS SUR CETTE CHAUFFERETTE, TELLES QU'UNE NOTICE D'INSTRUCTIONS, UNE ÉTIQUETTE, ETC., COMMUNIQUER AVEC LE FABRICANT.

▲ AVERTISSEMENT

RISQUE D'INCENDIE, DE BRÛLURE, D'INHALATION ET D'EXPLOSION. GARDER LES MATÉRIAUX SOLIDES INFLAMMABLES, TELS LES MATÉRIAUX DE CONSTRUCTION, LE PAPIER OU LE CARTON, À UNE DISTANCE SÉCURITAIRE DE LA CHAUFFERETTE, COMME RECOMMANDÉ DANS LES PRÉSENTES INSTRUCTIONS. NE JAMAIS UTILISER LA CHAUFFERETTE DANS DES ENDROITS QUI CONTIENNENT OU POURRAIENT CONTENIR DES MATIÈRES COMBUSTIBLES VOLATILES OU EN SUSPENSION DANS L'AIR, OU ENCORE DES PRODUITS COMME DE L'ESSENCE, DES SOLVANTS, DES DILUANTS À PEINTURE, DES PARTICULES DE POUSSIÈRE OU DES PRODUITS CHIMIQUES INCONNUS.

▲ AVERTISSEMENT

À UTILISER UNIQUEMENT ENTRE 0 ET 610 M D'ALTITUDE

ID usine : 609



TABLE DES MATIÈRES

Consignes de sécurité	2-4	Ventilation	8
Déballage.....	4	Rangement/entretien	9
Spécifications.....	5	Schémas de câblage.....	9
Caractéristiques	5	Dépannage.....	10
Contenu de la boîte	5	Garantie limitée	11
Mode d'emploi.....	6-8		

⚠ DANGER

Danger lié au monoxyde de carbone : Cette chaufferette produit du monoxyde de carbone, qui n'a pas d'odeur. Utiliser cette chaufferette dans un espace clos peut causer la mort. Ne jamais utiliser la chaufferette dans des espaces clos comme une tente, une autocaravane, tout véhicule ou véhicule récréatif (VR), abri fermé ou tout autre type d'espace clos.

⚠ DANGER

Si les informations contenues dans ce manuel ne sont pas suivies à la lettre, un incendie ou une explosion peuvent survenir et causer des dommages matériels, des blessures ou la mort.

⚠ DANGER

Cet appareil n'est pas conçu pour une utilisation dans une aire résidentielle ou dans un espace clos qui n'est pas ventilé adéquatement. Ne jamais apporter ou entreposer une bouteille de propane à l'intérieur.

⚠ AVERTISSEMENT

NE PAS UTILISER DANS LES HABITATIONS OU VÉHICULES RÉCRÉATIFS.

⚠ AVERTISSEMENT

NE PAS UTILISER CETTE CHAUFFERETTE AVANT D'AVOIR LU ET PARFAITEMENT COMPRIS CES CONSIGNES DE SÉCURITÉ ET D'UTILISATION.

Le non-respect des précautions et instructions fournies avec cet appareil peut entraîner la mort, des blessures corporelles graves, la perte ou des dommages aux biens causés par les risques d'incendie, des explosions, des brûlures, d'asphyxie ou d'un empoisonnement au monoxyde de carbone. Seules les personnes qui peuvent lire et comprendre les présentes directives doivent utiliser ou faire l'entretien de cette chaufferette.

⚠ AVERTISSEMENT

Ceci est une chaufferette portable non raccordée, utilisant l'air ambiant (oxygène) de l'espace où elle est utilisée. Une quantité d'air suffisante pour la combustion et la ventilation doit être fournie. Voir la rubrique « VENTILATION » à la page 8.

⚠ AVERTISSEMENT

Ce produit contient des produits chimiques, dont du plomb, connus dans l'État de Californie comme cancérigènes et causant des malformations congénitales ou d'autres troubles de la reproduction. Pour plus d'informations, consulter www.P65Warnings.ca.gov.

Cette chaufferette est conçue pour les chantiers de construction en conformité avec ANSI Z83.7-2011/CSA 2.14-2011. VÉRIFIER AVEC LE SERVICE LOCAL DES INCENDIES EN CAS DE QUESTIONS SUR L'APPLICATION. D'autres normes régissent l'utilisation des gaz combustibles et des produits de chauffage pour des utilisations spécifiques. Les autorités locales peuvent vous informer sur ces dernières.

CONSIGNES DE SÉCURITÉ (SUITE)

⚠ AVERTISSEMENT

RISQUE DE POLLUTION DE L'AIR INTÉRIEUR!

Les produits décrits dans ce manuel sont des chaufferettes à feu direct et à air pulsé alimentées au propane. Les chaufferettes à air forcé au propane sont principalement destinées au chauffage temporaire des bâtiments en cours de construction ou de rénovation. Feu direct signifie que tous les produits de combustion de la chaufferette entrent dans l'espace chauffé. Cet appareil est évalué à 98 % de rendement de la combustion, mais il produit de petites quantités de monoxyde de carbone.

⚠ DANGER

L'EMPOISONNEMENT AU MONOXYDE DE CARBONE EST MORTEL!

Le monoxyde de carbone est toxique. Les êtres humains peuvent en tolérer seulement de petites quantités; des précautions doivent donc être prises pour assurer une ventilation adéquate. Une ventilation non adéquate, en violation des consignes figurant dans ce manuel, peut entraîner la mort.

Les personnes atteintes de problèmes respiratoires doivent consulter un médecin avant d'utiliser cet appareil. Les premiers signes d'intoxication au monoxyde de carbone ressemblent aux symptômes de la grippe. Ces symptômes d'une mauvaise ventilation ou d'un empoisonnement au monoxyde de carbone sont :

Mal de tête • Étourdissement • Nausée • Bouche sèche • Mal de gorge • Nez et yeux qui brûlent

Si un ou plusieurs de ces symptômes apparaissent :

SORTIR IMMÉDIATEMENT RESPIRER DE L'AIR FRAIS!

Faire vérifier ou réparer la chaufferette et vérifier que la ventilation est adéquate. Certaines personnes sont plus affectées que d'autres par le monoxyde de carbone. Celles-ci incluent : les femmes enceintes, les personnes ayant des problèmes cardiaques ou pulmonaires, souffrant d'anémie ou qui se trouvent sous l'influence de l'alcool ou à haute altitude.

POUR USAGE EXTÉRIEUR. USAGE INTÉRIEUR PERMIS SEULEMENT POUR :

le chauffage temporaire des structures ou des bâtiments bien ventilés en cours de construction, de modification ou de réparation! Fournir une ouverture d'au moins 2 800cm² sur l'air extérieur pour chaque 29 kW/h (100 000 BTU/h) du régime nominal de la chaufferette. Voir la rubrique « Ventilation » à la page 8 pour plus de détails.

⚠ DANGER

LE PROPANE EST UN GAZ EXPLOSIF.

QUE FAIRE SI UNE ODEUR DE GAZ EST DÉTECTÉE :

- NE PAS tenter d'allumer la chaufferette.
- Éteindre toute flamme nue.
- Couper l'alimentation en gaz vers la chaufferette.
- Si l'odeur persiste, contacter le fournisseur de gaz local ou le service des incendies.
- NE PAS toucher ou utiliser un commutateur électrique ou un appareil électrique qui pourrait produire une étincelle.
- Appeler immédiatement le fournisseur de gaz depuis un endroit sûr. Suivre les instructions du fournisseur de gaz.
- Si le fournisseur de gaz ne peut être joint, appeler le service des incendies.
- La réparation doit être effectuée par une agence de service qualifiée.

⚠ AVERTISSEMENT

RISQUES DE BRÛLURES, D'INCENDIE ET D'EXPLOSION!

NE JAMAIS entreposer ni utiliser d'essence ou d'autres vapeurs ou liquides inflammables à proximité de cette chaufferette ou de tout autre appareil.

NE JAMAIS entreposer une bouteille de propane (GLP) non raccordée à cette chaufferette à proximité de celle-ci.

NE JAMAIS connecter la chaufferette à une alimentation en gaz sans régulation.

NE JAMAIS obstruer le flux d'air de combustion et de ventilation (à l'avant et à l'arrière de la chaufferette).

NE JAMAIS utiliser de gaines ou de conduits d'air à l'avant ou à l'arrière de l'appareil.

NE JAMAIS modifier la chaufferette ou utiliser une chaufferette qui a été modifiée.

NE JAMAIS déplacer ou manipuler l'appareil lorsqu'il est en marche ou encore chaud.

Garder tous les matériaux combustibles à l'écart de cette chaufferette.

Dégagement minimal par rapport aux combustibles

Côtés	Haut	Avant	Arrière
61 cm	92 cm	183 cm	61 cm

TOUJOURS utiliser l'alimentation électrique (tension et fréquence) indiquée sur la plaque signalétique de la chaufferette.

TOUJOURS utiliser une rallonge de calibre 14 AWG ou plus.

TOUJOURS débrancher la chaufferette lorsqu'elle n'est pas utilisée.

⚠ AVERTISSEMENT

MISE EN GARDE : CHAUD DURANT L'UTILISATION. NE PAS TOUCHER. GARDER LES ENFANTS,

LES ANIMAUX, LES VÊTEMENTS ET TOUT MATÉRIAU COMBUSTIBLE LOIN DE LA CHAUFFERETTE.

CONSIGNES DE SÉCURITÉ (SUITE)

⚠ AVERTISSEMENT RISQUE DE CHOC ÉLECTRIQUE!

- Vérifier les connexions d'alimentation en gaz avec une solution de 50/50 d'eau et de savon. Ne pas utiliser une flamme pour détecter des fuites de gaz.
- Placer la bouteille de propane au moins 1,8 m (3 m au Canada) de la chaufferette; ne pas pointer la sortie de chauffage vers la bouteille de propane à moins qu'elle soit à 6 m ou plus de distance.
- N'utiliser que l'ensemble de régulateur et tuyau fourni avec cette chaufferette. Inspecter l'ensemble régulateur/tuyau avant chaque utilisation de la chaufferette. Si le tuyau présente des signes d'abrasion ou d'usure excessive, ou s'il est coupé, le remplacer par l'ensemble approprié.

⚠ AVERTISSEMENT Instructions pour la mise à la terre : Cet appareil est équipé d'une fiche à trois broches (incluant la mise à la terre) pour une protection contre les risques de décharge électrique; il doit être branché directement à une prise à trois broches correctement mise à la terre.

⚠ AVERTISSEMENT Pour être utilisé avec du gaz propane (GPL) seulement.

Pressions d'entrée : collecteur, minimum et maximum

	ST-60HB2-GFA
Collecteur	5 PSI (34,5 kPa)
Min.	25 PSI (172 kPa)
Max.	250 PSI (1724 kPa)

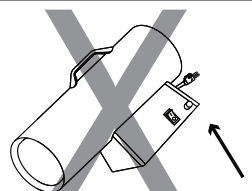
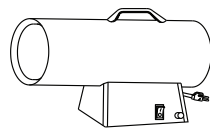
TOUJOURS installer cet appareil de façon à ne pas l'exposer directement aux pulvérisations d'eau, à la pluie, aux gouttes d'eau ou au vent.

- Utiliser la chaufferette conformément à tous les codes locaux. En l'absence de tels codes, consulter le National Fuel Code, ANSI A223.1/NFPA 54.
- Cette chaufferette est expédiée de l'usine dans le but d'être utilisée avec du gaz propane (GPL) exclusivement. Ne pas la convertir pour un autre gaz. L'installation doit être conforme aux codes locaux, ou en leur absence, avec la norme Storage and Handling of Liquefied Petroleum Gases ANSI/NFPA 58 et du Code d'installation du propane et du gaz naturel CSA B149.1.

⚠ AVERTISSEMENT L'ensemble des tuyaux doit être protégé contre la circulation, les matériaux de construction et tout contact avec des surfaces chaudes durant l'utilisation et pendant l'entreposage.

⚠ AVERTISSEMENT RISQUE D'INCENDIE! NE JAMAIS POSITIONNER LA CHAUFFERETTE INCLINÉE VERS LE BAS. TOUJOURS PLACER LA CHAUFFERETTE SUR UNE SURFACE PLANE ET STABLE (VOIR LA FIGURE 1)!

Figure 1



DÉBALLAGE

1. Déballez tous les articles appliqués à la chaufferette pour l'expédition. Garder les capuchons en plastique attachés à l'ensemble connecteur d'entrée et tuyau/régulateur pour l'entreposage.
2. Enlever tous les articles du carton.
3. Vérifier qu'aucun article n'a été endommagé pendant le transport. Si la chaufferette est endommagée, informer immédiatement le détaillant qui vous l'a vendue.

⚠ MISE EN GARDE

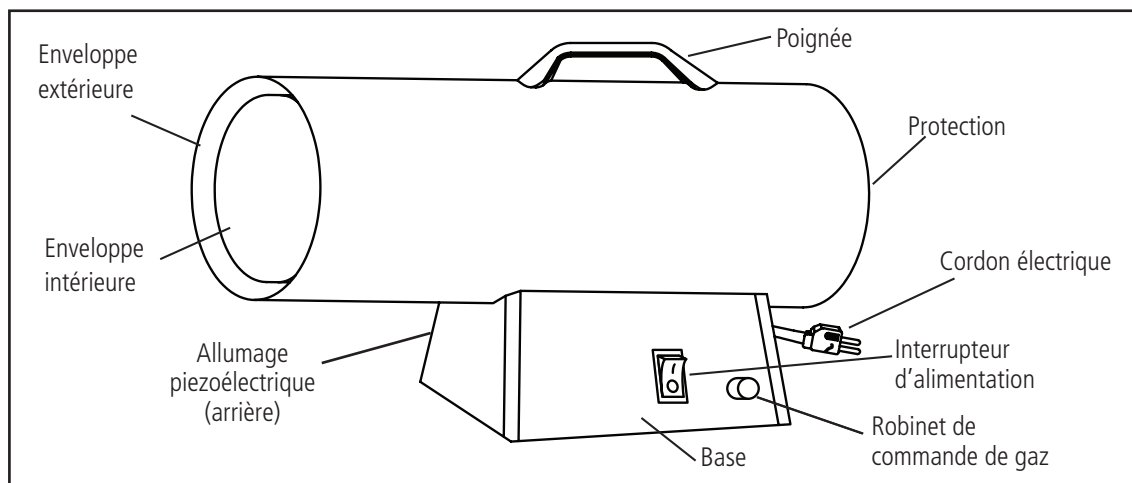
Le régulateur de pression du GPL et le tuyau fournis avec la chaufferette doivent être utilisés tels quels, sans aucune modification.

SPÉCIFICATIONS

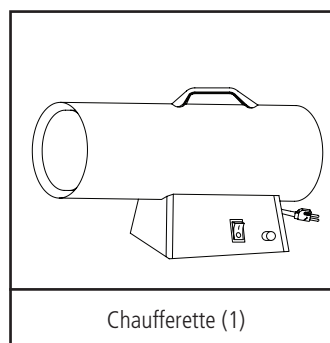
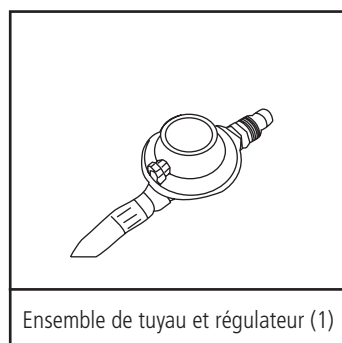
Modèle n°	ST-60HB2-GFA
BTU	60 000
Consommation de carburant: kg/h	1,25
Nombre maximal d'heures de fonctionnement	8
Bouteille requise: kg	9
Type de carburant:	Propane
Surface chauffée: m ²	139
Circulation d'air: m ³ /min	8,5
Température maximale à la sortie, °C	255
Volts: c.a./Hz	120 V/60 Hz
Ampères	0,6 A

Caractéristiques sujettes à modification sans préavis.

DESCRIPTION



CONTENU DE LA BOÎTE



FONCTIONNEMENT

Informations sur le propane :

Propane (GPL)

Cette chaufferette n'est pas vendue avec une bouteille de propane. Utiliser uniquement une bouteille de propane approuvée.

Caractéristiques du GPL

- Inflammable, explosif si sous pression, plus lourd que l'air et s'accumule au ras du sol.
- Dans son état naturel, le gaz propane n'a aucune odeur, mais pour des raisons de sécurité un odorisant qui sent le chou pourri a été ajouté.
- Un contact du pétrole liquide avec la peau peut causer des brûlures par le froid.
- La chaufferette est conçue pour utiliser du gaz propane (GPL) seulement. NE PAS tenter de la convertir vers un quelconque autre gaz. De telles modifications sont dangereuses et annulent la garantie.
- Lorsque la chaufferette n'est pas utilisée, l'alimentation en GPL doit être COUPÉE.
- S'assurer que la bouteille de GPL est placée sur une surface plane et stable.
- NE PAS utiliser cette chaufferette dans un sous-sol ou au-dessous du niveau du sol. Le propane (GPL) est plus lourd que l'air, et recherchera toujours le niveau le plus bas. Si une fuite est suspectée, fermer le robinet à la bouteille de propane immédiatement.

La bouteille de GPL doit aussi être équipée des accessoires suivants :

- Un manchon qui protège le robinet de gaz.
- Un robinet d'arrêt au bout de la sortie du robinet de la bouteille de propane, comme spécifié dans les normes américaines pour les sorties et les entrées de robinets d'évacuation pour bouteille de gaz.
- Une soupape de sûreté en communication directe avec l'espace de vapeur de la bouteille.
- La chaufferette doit fonctionner à partir du gaz provenant de la bouteille d'alimentation.

La quantité de GPL utilisée avec cette chaufferette varie selon :

- La quantité de gaz dans la bouteille de GPL.
- La température de la bouteille de GPL et de ses environs.

Nombre minimum de bouteilles de GPL	
Temp. moyenne (°C)	60HB2-GFA Bouteille de 45 kg Bouteille
0°	1
-7°	1
-12°	1
-18°	1
-23°	2
-29°	2

Le tableau précédent indique le nombre minimal de bouteilles de GPL de 45 kg requises par temps froid. Le fournisseur local de GPL vous aidera à choisir le système d'alimentation approprié.

⚠ MISE EN GARDE Le gaz propane est sécuritaire lorsqu'il est manipulé correctement. Une manipulation imprudente de la bouteille de propane pourrait mener à un incendie ou à une explosion.

- Toujours garder la bouteille fixée de façon sécuritaire et en position debout.
- Éviter d'incliner la bouteille sur le côté lorsque raccordée à un régulateur, ce qui risque d'endommager le diaphragme à l'intérieur du régulateur.
- Manipuler les robinets avec précaution.
- Ne jamais raccorder une bouteille de propane sans régulateur à une chaufferette de construction.
- NE PAS soumettre la bouteille de propane à une chaleur excessive.
- Serrer fermement le robinet d'arrêt du gaz sur la bouteille de propane après chaque utilisation.
- Tous les raccords doivent être protégés lorsque démontés de la bouteille de GPL.
- Ne jamais entreposer une bouteille de propane dans un édifice ou à proximité d'un appareil qui brûle du gaz.

MODE D'EMPLOI (SUITE)

⚠ MISE EN GARDE

La bouteille débranchée ne doit jamais être entreposée dans un édifice, un garage ou dans toute autre aire fermée.

Instructions de pré-allumage :

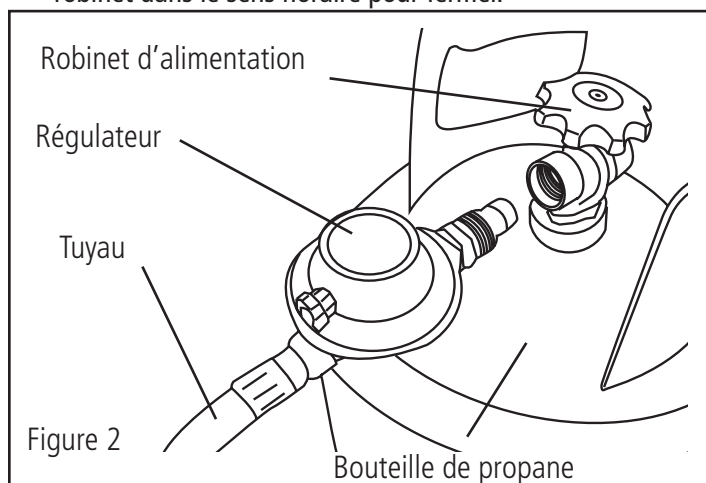
⚠ AVERTISSEMENT

La purge et le remplissage des bouteilles de GPL doivent être effectués par du personnel entièrement formé aux procédures acceptées dans l'industrie du GPL. La non-conformité à ces directives peut entraîner une explosion, un incendie ou des blessures graves ou mortelles.

Raccordement de la bouteille de propane

TOUTES LES NOUVELLES BOUTEILLES DOIVENT ÊTRE PURGÉES AVANT D'ÊTRE REMPLIES DE NOUVEAU.

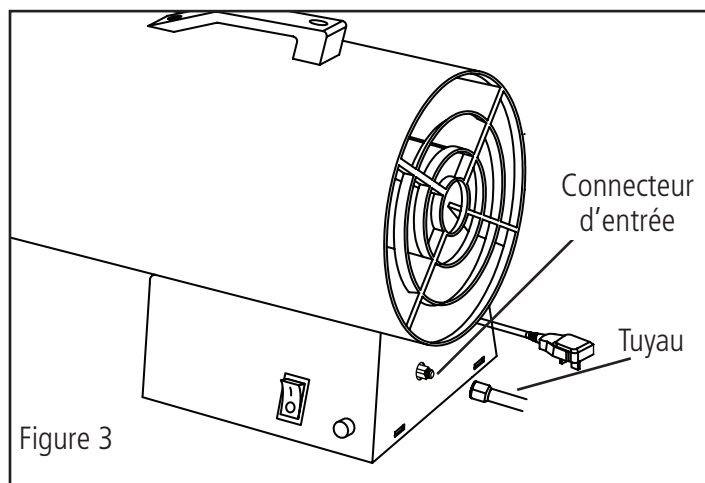
- Tourner le bouton de commande de la chaufferette et le robinet de la bouteille de propane à la position d'arrêt (OFF).
- Le robinet de la bouteille de propane est équipé avec des raccords ancien style FILETAGE CÔTÉ GAUCHE. Tourner le raccord dans le sens HORAIRE pour desserrer. Protéger ce raccord lorsqu'il est détaché de la bouteille.
- Faire remplir la bouteille par le fournisseur de gaz propane local.
- Certaines bouteilles de propane possèdent un robinet de purge. Vérifier le robinet après chaque remplissage de la bouteille pour s'assurer qu'il n'y a pas de fuites. Tourner le robinet dans le sens horaire pour fermer.



- Fixer la bouteille de propane pleine et branche les raccords qui conviennent au robinet de la bouteille en tournant dans le sens ANTIHORAIRE (voir les Figures 2 et 3).
- Alors que le bouton de commande est encore en position fermée (ARRÊT), ouvrir le robinet de la bouteille de gaz et vérifier qu'il n'y a pas de fuites avec une solution d'eau savonneuse (voir ci-dessous).

Vérification des fuites

- Pour vérifier qu'il n'y a pas de fuites, préparer une solution 50/50 de savon à vaisselle et d'eau. Appliquer cette solution sur tous les raccords du gaz. Si des bulles apparaissent, il y a fuite. Si une fuite est découverte, couper l'alimentation en gaz et refaire le raccord défectueux. Si la fuite persiste après plusieurs tentatives, contacter le service à la clientèle de Pinnacle Climate Technologies au 800-641-6996.
- L'installation de la chaufferette doit être conforme aux codes locaux et/ou aux exigences des services de gaz ou, en l'absence de codes locaux, avec le National Fuel Code ANSI Z223.1/NFPA 54.
- Les dégagements minimaux par rapport aux matériaux de construction combustibles doivent être maintenus en tout temps (voir la page 3).
- La chaufferette doit être inspectée avant chaque utilisation, et au moins une fois par année par un technicien d'entretien qualifié.



MODE D'EMPLOI (SUITE)

Instructions d'allumage :

Démarrage de la chaufferette (Allumage)

1. Brancher la chaufferette dans une prise à trois broches avec mise à la terre. Si une rallonge est nécessaire, utiliser une rallonge à trois broches (mise à la terre) d'une longueur d'au moins 1,8 m dont le calibre est d'au moins 14 AWG.
2. Raccorder la chaufferette à une bouteille de GPL appropriée.
3. Attendre 5 minutes pour que tout gaz se dissipe. Vérifier qu'il n'y a pas d'odeur de gaz. S'il n'y a pas d'odeur de gaz, passer à l'étape 4.
4. OUVRIR l'alimentation en gaz en tournant le robinet de la bouteille de propane dans le sens ANTIHORAIRE.
5. Appuyer sur l'interrupteur à la position de « MARCHE ». Le ventilateur devrait se mettre en marche.
6. Appuyer et maintenir le bouton de commande de gaz. Tout en maintenant le bouton, appuyer sur l'allumage piezoélectrique du côté opposé de la base jusqu'à l'allumage du gaz. Continuer de maintenir le bouton de commande de gaz pendant 30 secondes.
7. Si le brûleur ne reste pas allumé, répéter les procédures d'allumage.

Instructions pour l'arrêt

Pour éteindre la chaufferette :

1. FERMER l'alimentation en gaz en tournant le robinet de la bouteille de propane dans le sens HORAIRE.
2. Laisser fonctionner la chaufferette jusqu'à ce que le gaz contenu dans le tuyau ait brûlé et que la flamme s'éteigne.
3. Débrancher le cordon d'alimentation.

REMARQUE : La surface de la chaufferette doit être froide avant d'effectuer toute intervention, ou de nettoyer ou d'entreposer l'appareil.

⚠ DANGER

L'EMPOISONNEMENT AU MONOXYDE DE CARBONE PEUT ENTRAÎNER LA MORT!

⚠ DANGER

Cet appareil n'est pas conçu pour une utilisation dans une aire résidentielle ou dans un espace clos qui n'est pas ventilé adéquatement.

VENTILATION

- **Risque de pollution de l'air intérieur et d'empoisonnement au monoxyde de carbone. Utiliser la chaufferette seulement dans un endroit bien ventilé.**
- **Se reporter aux consignes de sécurité des pages 2 et 3 en ce qui concerne l'empoisonnement au monoxyde de carbone.**
- **TOUJOURS** fournir une ouverture sur de l'air frais d'au moins 2 800 cm² pour chaque sortie d'une puissance nominale de 29 kW/h (100 000 BTU/h). Prévoir une ouverture plus importante si plusieurs chaufferettes sont utilisées.

Ouverture minimum requise pour la ventilation

60HB2-GFA

1670 cm²

ENTREPOSAGE/ENTRETIEN

Avant d'entreposer la chaufferette, toujours la débrancher de la bouteille de propane. Si pour une raison quelconque, la chaufferette est entreposée à l'intérieur, la bouteille DOIT absolument être débranchée de la chaufferette et entreposé à l'extérieur dans une zone bien ventilée, hors de portée des enfants, en conformité avec la dernière édition du Storage and Handling of Petroleum Gases ANSI/NFPA 58 et le Code d'installation du propane CSA B149.1. Le bouchon en plastique du robinet de la bouteille, fourni avec la bouteille, doit être installé bien serré lorsque la bouteille est débranchée de la chaufferette.

REMARQUE : L'installation et les réparations doivent être effectuées par du personnel de service qualifié.

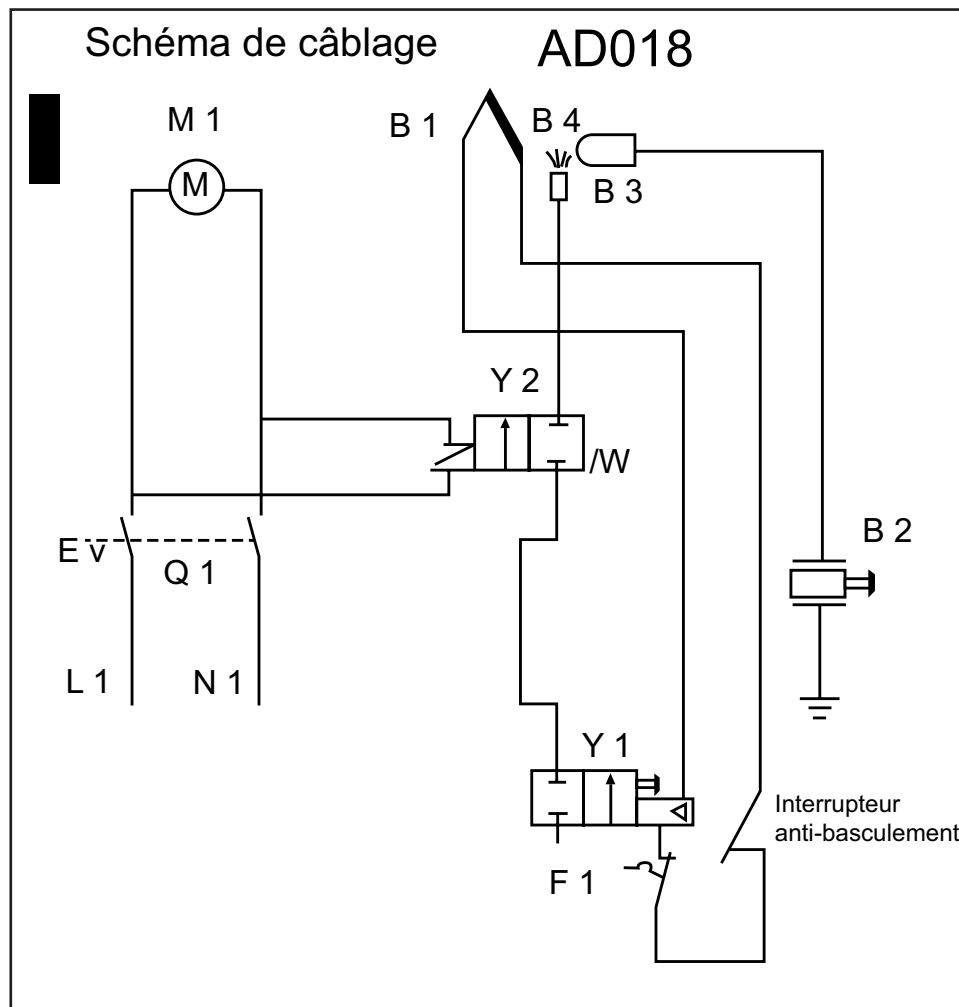
TOUJOURS suivre les procédures d'entretien adéquates, ce qui doit inclure le nettoyage de l'intérieur de la chaufferette une fois par mois et la vérification de l'écartement des bornes de la bougie au moins une fois par saison. Régler l'espacement entre les bornes à 4 mm.

⚠ DANGER

Ne jamais entreposer une bouteille de propane dans un édifice ou à proximité d'un appareil qui brûle du gaz ou de l'huile.

SCHÉMAS DE CÂBLAGE

60HB2-GFA



GUIDE DE DÉPANNAGE

Problème	Causes possibles	Solution
Le ventilateur ne tourne pas lorsque la connexion électrique est effectuée.	<ol style="list-style-type: none"> 1. Pas d'alimentation électrique à la chaufferette. 2. L'interrupteur d'alimentation est sur arrêt. 3. Pales du ventilateur en contact avec l'intérieur du boîtier de la chaufferette. 4. Pales de ventilateur pliées. 5. Moteur du ventilateur défectueux. 	<ol style="list-style-type: none"> 1. Vérifier la tension de la prise de courant. Si la tension est correcte, vérifier que le cordon d'alimentation et la rallonge ne sont pas coupés, effilochés ni cassés. 2. Appuyer sur l'interrupteur rouge pour le mettre sur « MARCHE ». 3. S'assurer que le boîtier n'est pas endommagé. S'assurer qu'aucune obstruction n'entrave le ventilateur. 4. Redresser les pales. 5. Remplacer le moteur.
La chaufferette ne peut être allumée.	<ol style="list-style-type: none"> 1. Aucune étincelle au niveau de l'allumeur. 2. Écart de bougie incorrect. 3. Électrode défectueuse. 	<ol style="list-style-type: none"> 1. Vérifier le fil de l'allumeur. Rattacher ou serrer si desserré. Vérifier le module à étincelles. Vérifier tous les composants électriques. 2. Régler l'écartement de la bougie à 4 mm. 3. Nettoyer l'électrode.
La chaufferette s'éteint en cours de marche.	<ol style="list-style-type: none"> 1. Température interne trop élevée déclenchant le thermorupteur qui éteint l'appareil. 2. Accumulation de poussière ou de débris à l'intérieur de la chaufferette. 	<ol style="list-style-type: none"> 1. Si le débit de la chaufferette est restreint, la température interne devient trop élevée. Déplacer la chaufferette pour l'éloigner de toute obstruction. 2. Nettoyer l'intérieur de la chaufferette.

QUESTIONS, PROBLÈMES OU PIÈCES MANQUANTES?

Avant de retourner chez votre détaillant, appelez l'Assistance à la clientèle de Pinnacle Climate Technologies au 800-641-6996 ou envoyez un courriel à sales@pinnacleclimate.com.

GARANTIE LIMITÉE

Pinnacle Climate Technologies, Inc. garantit à l'acheteur au détail d'origine seulement que cet appareil sera exempt de défauts de matériau et de fabrication pendant une période de un (1) an à compter de la date de l'achat initiale. Ce produit doit être installé, entretenu et utilisé correctement, en conformité avec les instructions fournies.

Pinnacle Climate Technologies, Inc. exige une preuve raisonnable de la date d'achat chez un détaillant ou un distributeur agréé. Conserver le reçu de caisse, la facture ou le chèque payé pour l'achat d'origine. Cette garantie limitée couvre uniquement la réparation ou le remplacement des pièces jugées défectueuses dans des conditions d'utilisation et d'entretien normales pendant la période de garantie, ce que Pinnacle Climate Technologies, Inc. se réserve le droit de déterminer à sa seule discrétion.

Cette garantie ne s'applique pas à des produits achetés à des fins de location.

Cette garantie limitée ne couvre aucune défaillance ou difficulté d'utilisation résultant d'une usure normale, d'un accident, d'un usage abusif ou incorrect, d'une modification, d'un usage impropre, d'une installation incorrecte ou encore d'une réparation ou d'un entretien incorrects par l'utilisateur ou un tiers. Le fait de négliger d'effectuer l'entretien normal et périodique de cet appareil, les dommages causés lors de l'expédition ou liés à des insectes, oiseaux ou autres animaux ou encore à tout dommage résultant des conditions météorologiques ne sont pas couverts par cette garantie.

En outre, cette garantie limitée ne couvre pas les dommages au fini, comme les égratignures, les traces de coups, la décoloration, la rouille ou d'autres dommages dus aux intempéries, et survenus après l'achat.

Tous les frais de transport pour le retour de produits ou de pièces endommagés sont à la charge de l'acheteur. Sur réception de l'article endommagé, Pinnacle Climate Technologies, Inc. examinera l'article en question et déterminera s'il est défectueux. Pinnacle Climate

Technologies, Inc. réparera ou remplacera et retournera l'article en port payé. Si Pinnacle Climate Technologies, Inc. détermine que l'article est dans un état d'utilisation normale, ou n'est pas défectueux, il sera retourné en port dû. Cette garantie limitée remplace à toute autre garantie expresse. Pinnacle Climate Technologies, Inc. renonce à toute garantie de produits achetés auprès de vendeurs autres que des détaillants ou distributeurs agréés.

CETTE GARANTIE EXPRESSE EXPIRE APRÈS UNE PÉRIODE DE UN (1) AN, APRÈS QUOI Pinnacle Climate Technologies, Inc. RENONCE À TOUTE GARANTIE TACITE INCLUANT, ENTRE AUTRES, TOUTE GARANTIE TACITE DE QUALITÉ MARCHANDE ET D'ADAPTATION À UN USAGE PARTICULIER. EN OUTRE, Pinnacle Climate Technologies, Inc. N'EST AUCUNEMENT RESPONSABLE ENVERS L'ACHETEUR NI ENVERS TOUT TIERS POUR UN QUELCONQUE DOMMAGE PARTICULIER, INDIRECT, PUNITIF, ACCESSOIRE OU FORTUIT. Pinnacle Climate Technologies, Inc. n'assume aucune responsabilité pour un quelconque défaut causé par des tiers. Cette garantie limitée accorde à l'acheteur des droits légaux précis auxquels peuvent s'ajouter d'autres droits suivant le lieu où il réside. Certaines provinces ne permettent pas l'exclusion ou la limitation des dommages spéciaux, accessoires ou indirects ni une limitation de la durée d'une garantie; les limitations ci-dessus pourraient donc ne pas s'appliquer à l'acheteur.

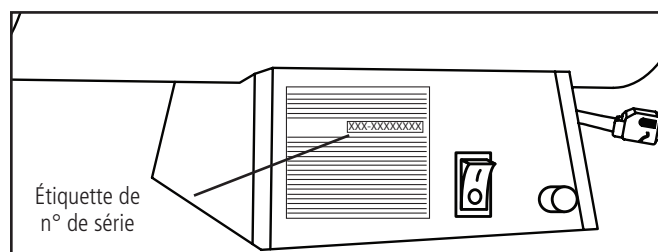
Pinnacle Climate Technologies, Inc. n'autorise aucune personne ni entreprise à assumer en son nom une autre obligation ou responsabilité quelconque liée à la vente, à l'installation, à l'utilisation, à l'enlèvement, au retour ou au remplacement de ses appareils et aucune représentation de cette nature ne lie en quelque manière que ce soit Pinnacle Climate Technologies, Inc.

Toujours veiller à préciser les numéros de modèle et de série lors de toute réclamation auprès de Pinnacle Climate Technologies, Inc. Pour ce faire, utiliser l'espace prévu ci-dessous à cet effet pour noter ces informations.

N° de modèle : _____

N° de série : _____

Date d'achat : _____



MODELO N.º:
ST-60HB2-GFA

CONSUMIDOR: LEA Y CONSERVE ESTAS INSTRUCCIONES

⚠ PELIGRO

ADVERTENCIA GENERAL DE PELIGRO:

SI NO CUMPLE CON LAS PRECAUCIONES Y LAS INSTRUCCIONES QUE SE LE PROPORCIONAN CON ESTE CALENTADOR, PUEDE PROVOCAR LA MUERTE, LESIONES CORPORALES GRAVES Y DAÑOS MATERIALES O DAÑOS POR PELIGRO DE INCENDIO, EXPLOSIÓN, QUEMADURAS, ASFIXIA, INTOXICACIÓN POR MONÓXIDO DE CARBONO O DESCARGA ELÉCTRICA.

ESTE CALENTADOR SOLAMENTE LO DEBEN USAR O DARLE MANTENIMIENTO PERSONAS QUE PUEDAN COMPRENDER Y SEGUIR LAS INSTRUCCIONES. SI NECESITA AYUDA O INFORMACIÓN SOBRE EL CALENTADOR, COMO UN MANUAL DE INSTRUCCIONES, ETIQUETAS, ETC., COMUNÍQUESE CON EL FABRICANTE.

⚠ ADVERTENCIA

PELIGRO DE INCENDIO, QUEMADURAS, INHALACIÓN Y EXPLOSIÓN. MANTENGA LOS COMBUSTIBLES SÓLIDOS, COMO MATERIALES DE CONSTRUCCIÓN, PAPEL O CARTÓN, A UNA DISTANCIA PRUDENTE DEL CALENTADOR SEGÚN LO RECOMIENDAN ESTAS INSTRUCCIONES. NUNCA USE EL CALENTADOR EN ESPACIOS QUE CONTENGAN O PUEDAN CONTENER COMBUSTIBLES VOLÁTILES O SUSPENDIDOS EN EL AIRE NI PRODUCTOS COMO GASOLINA, DISOLVENTES, SOLVENTES DE PINTURA, PARTÍCULAS DE POLVO O SUSTANCIAS QUÍMICAS DESCONOCIDAS.

⚠ ADVERTENCIA

UTILIZAR SOLO ENTRE 0-2000 PIES (0 Y 610 M) DE ALTITUD

ID de fábrica: 609



ÍNDICE

Información de seguridad	2-4	Ventilación	8
Desempaque	4	Almacenamiento / mantenimiento	9
Especificaciones	5	Diagramas eléctricos	9
Características	5	Guía para la solución de problemas	10
Qué hay en la caja	5	Garantía limitada	11
Operación	6-8		

⚠ PELIGRO

Riesgo de inhalación de monóxido de carbono: Este calentador produce monóxido de carbono, que es un gas inodoro. Encender el calentador en un espacio cerrado puede ocasionarle la muerte. Nunca use el calentador en espacios cerrados, como tiendas de campaña, remolques, cualquier tipo de vehículo (entre ellos, vehículos de uso recreativo), albergues cerrados o cualquier otra área cerrada.

⚠ PELIGRO

Si no sigue la información de este manual al pie de la letra, puede producirse un incendio o una explosión, provocando daños materiales, lesiones corporales o pérdida de la vida.

⚠ PELIGRO

No debe usarse en áreas habitables residenciales ni en espacios cerrados con ventilación inadecuada. Nunca ingrese o almacene un tanque de propano en espacios interiores.

⚠ ADVERTENCIA

NO DEBE USARSE EN CASAS NI EN VEHÍCULOS DE USO RECREATIVO.

⚠ ADVERTENCIA

NO USE ESTE CALENTADOR HASTA HABER LEÍDO Y COMPRENDIDO TOTALMENTE ESTAS INSTRUCCIONES DE SEGURIDAD Y OPERACIÓN.

El no cumplir con las precauciones e instrucciones proporcionadas con este calentador puede resultar en muertes, lesiones graves, daños materiales o daños por peligro de incendio, explosiones, quemaduras, asfixia o envenenamiento por monóxido de carbono. Solamente personas que puedan leer y comprender estas instrucciones deben usar o dar servicio a este calentador.

⚠ ADVERTENCIA

Este es un calentador portátil sin ventilación. La unidad utiliza el aire (oxígeno) del espacio donde se usa. Será necesario suministrar suficiente aire para la combustión y la ventilación. Consulte VENTILACIÓN en la página 8.

⚠ ADVERTENCIA

Este producto contiene sustancias químicas, incluyendo plomo, conocidas en el estado de California como causantes de cáncer y defectos de nacimiento u otros daños reproductivos Si desea más información, visite www.P65Warnings.ca.gov.

Este calentador está diseñado y aprobado para uso en construcciones de acuerdo con la norma ANSI Z83.7-2011/CSA 2.14-2011. CONSULTE CON LAS AUTORIDADES DE SEGURIDAD DE INCENDIOS DE SU LOCALIDAD SI TIENE ALGUNA DUDA SOBRE EL USO DE ESTE CALENTADOR. Otras normas rigen el uso de gases combustibles y productos de calefacción para usos específicos. Sus autoridades locales pueden asesorarle sobre esas normas.

INFORMACIÓN DE SEGURIDAD (CONTINÚA)

⚠️ ADVERTENCIA

¡RIESGO DE CONTAMINACIÓN DEL AIRE INTERIOR!

Los productos descritos en este manual son calentadores de aire forzado de fuego directo de gas propano. Los calentadores de aire forzado de propano están hechos expresamente para calefacción temporal de edificios en construcción, modificación o reparación. Fuego directo significa que todos los productos de combustión del calentador ingresan en el espacio calentado. Este aparato tiene una clasificación de 98% de eficiencia de combustión, pero produce pequeñas cantidades de monóxido de carbono.

⚠️ PELIGRO

¡LA INTOXICACIÓN POR MONÓXIDO DE CARBONO PROVOCARÁ LA MUERTE!

El monóxido de carbono es tóxico. Los seres humanos solo pueden tolerar pequeñas cantidades de monóxido de carbono, así que deben tomarse las medidas de precaución necesarias para suministrar una ventilación adecuada. No proporcionar la ventilación adecuada de acuerdo con este manual puede ocasionar la muerte.

Las personas con problemas respiratorios deben consultar con un médico antes de usar el calentador. Los primeros síntomas de envenenamiento por monóxido de carbono se parecen a los de la gripe. Los síntomas de ventilación inadecuada o envenenamiento por monóxido de carbono son:

- Dolor de cabeza • Mareo • Náusea • Boca seca
- Dolor de garganta • Irritación de la nariz y los ojos

Si tiene alguno de estos síntomas:

¡SALGA AL AIRE LIBRE DE INMEDIATO! Haga revisar su calentador y compruebe que la ventilación sea la adecuada. Algunas personas se ven más afectadas que otras por el monóxido de carbono. Por ejemplo: mujeres embarazadas, personas con problemas pulmonares o cardíacos, anemia o bajo la influencia del alcohol o en grandes altitudes.

PARA USO EN EXTERIORES. EL USO EN INTERIORES SÓLO SE PERMITE PARA: Calefacción temporal de edificios adecuadamente ventilados o estructuras en construcción, modificación o reparación. Proporcione una abertura de al menos tres pies cuadrados (0.28 metros cuadrados) al aire exterior por cada 100,000 BTU/h (29 kW/h) que genere el calentador. Consulte Ventilación en la página 8 para obtener más instrucciones.

⚠️ PELIGRO

EL PROPANO ES UN GAS EXPLOSIVO.

QUÉ HACER SI PERCIBE OLOR A GAS:

- NO trate de encender el calentador.
- Apague toda clase de flama abierta.
- Cierre el suministro de gas del calentador.
- Si continúa el olor, póngase en contacto con la empresa de gas o el departamento de bomberos de su localidad.
- NO toque ni utilice interruptores de electricidad ni dispositivos eléctricos que pudieran provocar una chispa.
- Llame inmediatamente a la empresa de gas desde un lugar seguro. Siga las instrucciones de la empresa de gas.
- Si no puede comunicarse con la empresa de gas, llame al departamento de bomberos.
- Solo una dependencia de servicio calificada puede hacer la reparación.

⚠️ ADVERTENCIA

¡RIESGO DE QUEMADURAS, INCENDIO Y EXPLOSIÓN!

NUNCA almacene ni use gasolina ni otros vapores y líquidos inflamables en las cercanías de este aparato. NUNCA almacene tanques de propano (LP) que no se encuentren conectados a este calentador en los alrededores del mismo. NUNCA conecte el calentador a un suministro de gas no regulado. NUNCA obstruya el flujo del aire de combustión y ventilación (la parte delantera y trasera del calentador). NUNCA use conductos en la parte frontal o posterior del calentador. NUNCA modifique el calentador ni utilice un calentador que haya sido modificado. NUNCA dé servicio, mueva ni manipule el calentador mientras está caliente o funcionando. Mantenga todos los materiales combustibles lejos de este calentador.

Separación mínima entre el calentador y materiales combustibles

Lados	Superior	Frente	Atrás
24 pulg.	36 pulg.	72 pulg.	24 pulg.
61 cm	92 cm	183 cm	61 cm

Utilice SIEMPRE la potencia eléctrica (voltaje y frecuencia) que se indica en la placa de modelo del calentador. SIEMPRE utilice únicamente un cable de extensión de calibre 14 AWG o superior. SIEMPRE desconecte el calentador cuando no lo use.

⚠️ ADVERTENCIA

PRECAUCIÓN CALIENTE MIENTRAS ESTÉ EN FUNCIONAMIENTO.

NO LO TOQUE. MANTENGA A NIÑOS, ANIMALES, ROPA Y COMBUSTIBLES LEJOS DEL CALENTADOR.

INFORMACIÓN DE SEGURIDAD (CONTINUÍA)

⚠ ADVERTENCIA ¡RIESGO DE DESCARGA ELÉCTRICA!

⚠ ADVERTENCIA Instrucciones de conexión eléctrica a tierra: Este dispositivo

está equipado con un enchufe de 3 puntas (conexión a tierra) para protegerlo de descargas eléctricas y se debe conectar directamente a un enchufe de pared de 3 entradas con conexión a tierra debidamente instalado.

⚠ ADVERTENCIA Para usarse con gas propano (LP) únicamente.

SIEMPRE instale el calentador de modo que no esté expuesto directamente a rocío de agua, lluvia, goteo de agua o viento.

- Use el calentador de acuerdo con todos los códigos locales. En ausencia de códigos locales, consulte el Código Nacional de Combustibles, ANSI A223.1/NFPA 54.
- Este calentador se envía de la fábrica para uso con gas LP (propano) únicamente. No lo convierta a ningún otro gas. La instalación debe cumplir con los códigos locales o, a falta de ellos, con la norma para el almacenamiento y la manipulación de gases licuados de petróleo ANSI/NFPA 58 y el Código de instalación de gas natural y gas propano CSA B149.1.

- Las conexiones de suministro de gas deben revisarse usando una solución de 50/50 de agua y jabón. Nunca use una llama para verificar si hay fugas de gas.
- Coloque el tanque de LP al menos a 6 pies /183 cm (10 pies/305 cm en Canadá) del calentador y no oriente la descarga del calentador hacia el tanque de LP a menos que se encuentre a una distancia mínima de 20 pies (6 m) del calentador.
- Utilice únicamente el conjunto de regulador y manguera suministrado con este calentador. Inspeccione el conjunto del regulador y manguera antes de cada uso del calentador. Si están demasiado desgastados, o si la manguera está cortada, reemplace con el conjunto correcto.

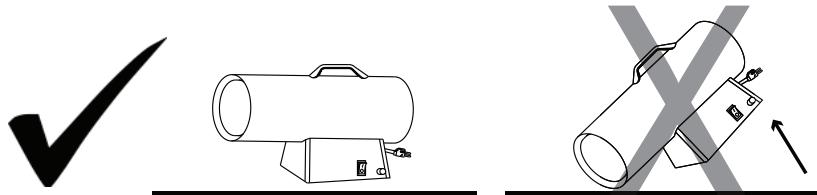
Presión de entrada del múltiple, mínima y máxima

	ST-60HB2-GFA
Múltiple	5 PSI (34.5 kPa)
Mín.	25 PSI (172 kPa)
Máx.	250 PSI (1724 kPa)

⚠ ADVERTENCIA El conjunto de la manguera deberá estar protegido del tráfico, de material de construcción y de contacto con superficies calientes, tanto al usarse como al tenerlo almacenado.

⚠ ADVERTENCIA ¡RIESGO DE INCENDIO! NO POSICIONAR EL RADIADOR INCLINADO HACIA ABAJO. ¡COLÓQUELO SIEMPRE SOBRE UNA SUPERFICIE ESTABLE Y NIVELADA! (VEA LA FIGURA 1)

Figura 1



DESEMPAQUE

1. Retire todos los materiales de empaque aplicados al calentador para su envío. Mantenga montadas las tapas de plástico en el conector de entrada y en el conjunto del regulador y manguera cuando almacene la unidad.
2. Retire todos los artículos de la caja de envío.
3. Inspeccione todos los artículos por si tuvieran daños por el envío. Si el calentador está dañado, informe de inmediato al concesionario a quien compró el calentador sobre dicho daño.

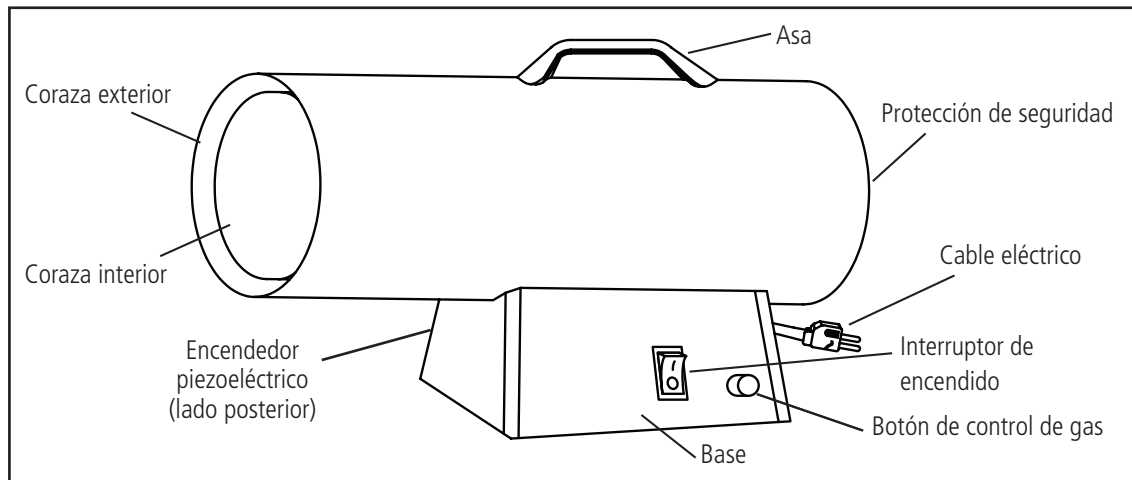
⚠ PRECAUCIÓN El conjunto de la manguera y el regulador de presión del gas Propano (LP) suministrado con este calentador debe utilizarse sin hacerle ninguna modificación.

ESPECIFICACIONES

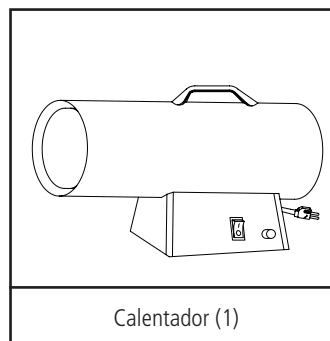
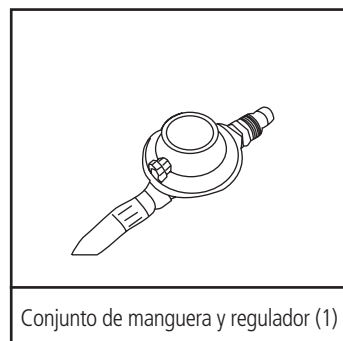
N.º de modelo	ST-60HB2-GFA
BTU	60,000
Consumo de combustible: lb./h (kg/h)	2.75 (1.25)
Horas máximas de funcionamiento	8
Tanque requerido: lb (kg)	20 (9)
Tipo de combustible	Propano
Área de calefacción: pie. ² (m ²)	1500 (139)
Caudal de aire: pies ³ /min. (m ³ /min)	300 (8.5)
Temperatura de salida máxima: °F (°C)	491 (255)
Voltaje: CA/Hz	120 V / 60 Hz
Amperes	0.6 A

Las especificaciones pueden cambiar sin previo aviso.

CARACTERÍSTICAS



QUÉ HAY EN LA CAJA



FUNCIONAMIENTO

Suministro de propano/información:

Propano (LP)

Este calentador no se entrega con tanque de propano. Use únicamente un tanque de propano aprobado.

Características del LP

- Inflamable, explosivo bajo presión, más pesado que el aire y se acumula en niveles bajos.
- En su estado natural, el propano no tiene olor pero, por seguridad, se le añade un aroma que huele a repollo podrido.
- El contacto del gas propano (LP) con la piel puede producirle quemaduras por congelación.
- El calentador está fabricado para usarse sólo con gas LP. NO trate de hacerle una conversión para algún otro gas. Dichas modificaciones son peligrosas y anularán la garantía.
- Cuando no se use el calentador debe cerrarse el suministro del tanque de LP.
- Asegúrese de que el tanque de LP se encuentre en una superficie estable y nivelada.
- NO utilice este calentador en un sótano o por debajo del nivel del suelo. El propano es más pesado que el aire y siempre busca el nivel más bajo. Si sospecha de una fuga, cierre la válvula en el tanque de LP inmediatamente.

El tanque de gas propano (LP) también debe estar equipado con lo siguiente:

- Un anillo para proteger la válvula de gas.
- Una válvula de corte conectada en la salida de la válvula del tanque de LP, según la especificación de la Norma Nacional Americana para la conexión de entradas y salidas de válvulas de tanques de gas comprimido.
- Una válvula de escape de seguridad con comunicación directa con el espacio de vapor del tanque de LP.
- El calentador debe funcionar con recuperación del vapor del tanque.

La cantidad de gas propano (LP) que utiliza este calentador varía, debido a:

- La cantidad de gas contenido en el tanque de LP.
- La temperatura del tanque de LP y del área circundante.

Número mínimo de tanques de LP	
Temp. promedio (°F / °C)	60HB2-GFA 100 lb (45 kg) tanque
32° / 0°	1
20° / -7°	1
10° / -12°	1
0° / -18°	1
-10° / -23°	2
-20° / -29°	2

La tabla anterior muestra la cantidad mínima de tanques de LP de 100 libras (45 kg) que se requieren en clima frío. Su distribuidor de LP local le ayudará a elegir el sistema de suministro de LP apropiado.

PRECAUCIÓN

El propano es seguro para usar cuando se manipula correctamente. La manipulación negligente del tanque de LP podría resultar en un incendio o una explosión.

- Siempre mantenga el tanque de LP firmemente sujeto y en posición vertical.
- Evite inclinar el tanque de LP hacia un lado cuando esté conectado a un regulador, ya que eso podría causar daño al diafragma en el regulador.
- Trate las válvulas con cuidado.
- Nunca conecte un tanque de LP no regulado en un calentador para construcción.
- NO someta el tanque de LP a un calor excesivo.
- Cierre firmemente la válvula de corte de gas en el tanque de LP después de cada uso.
- Todas las uniones deben protegerse cuando estén desconectadas del tanque de LP.
- Nunca almacene un tanque de LP dentro de un edificio o cerca de cualquier aparato que queme gas.

FUNCIONAMIENTO (CONTINUÍA)

⚠ PRECAUCIÓN

El tanque desconectado nunca debe almacenarse en un edificio, garaje o cualquier otra área cerrada.

Instrucciones antes del encendido

⚠ ADVERTENCIA

Las acciones de purga y llenado de los tanques de LP deben ser realizadas por personal que esté ampliamente capacitado en los procedimientos aceptados de la industria de gas LP. El incumplimiento de estas instrucciones podría resultar en explosión, incendio, lesiones personales graves o la muerte.

Conexión del tanque de LP

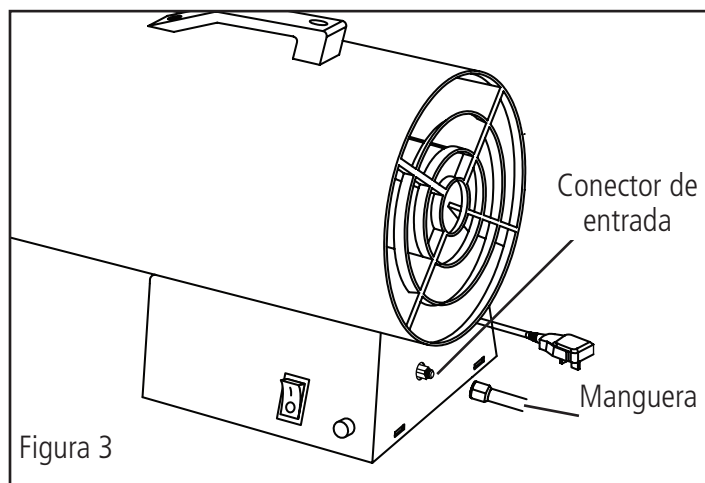
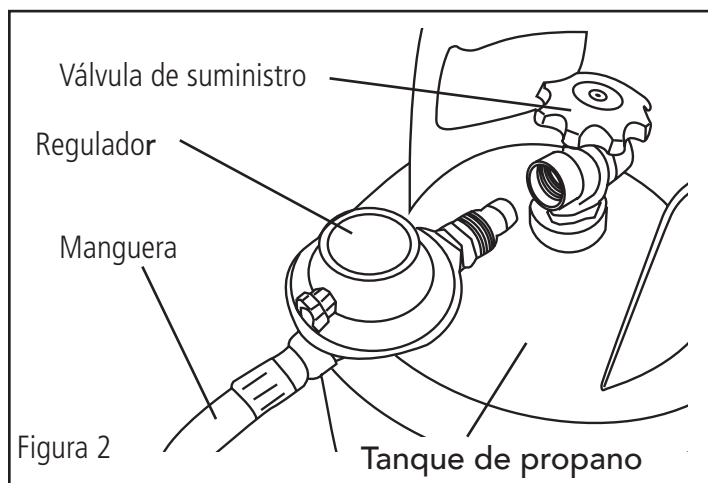
TODO TANQUE NUEVO DE LP DEBE PURGARSE ANTES DE LLENARLO POR PRIMERA VEZ.

- Gire el botón del interruptor de la válvula de gas del calentador y la válvula del tanque de LP a la posición OFF (apagado).
- Las válvulas del tanque de LP equipadas con una unión de estilo antiguo tienen ROSCAS A LA IZQUIERDA. Gire la unión HACIA LA DERECHA para aflojarla. Proteja esta unión cuando esté desconectada del tanque de LP.
- Haga que su distribuidor de gas propano le llene su tanque de LP.

- Algunos tanques de LP tienen una válvula de purga. Debe inspeccionar esta válvula para ver si tiene fugas después de cada vez que se llene el tanque de LP. Gire la válvula hacia la derecha para cerrarla.
- Sujete el tanque de propano lleno y conecte la unión adecuada en la válvula del tanque de LP, girándola HACIA LA IZQUIERDA (vea las Figuras 2 y 3).
- Con el botón del interruptor de la válvula de gas del calentador en la posición OFF (Apagado), abra la válvula del tanque de LP y revise que no haya fugas usando una solución de jabón (vea abajo).

Inspección de fugas

- Para verificar si hay fugas, prepare una solución mitad detergente para platos y mitad agua. Aplique esta solución en todas las conexiones de gas. Si aparecen burbujas, hay una fuga. Si encuentra una fuga, cierre el suministro de gas y vuelva a conectar la conexión que presentaba la fuga. Si aún persiste la fuga después de varios intentos, comuníquese con Pinnacle Climate Technologies al 800-641-6996.
- La instalación de su calentador debe cumplir con todos los códigos locales y/o requisitos de la compañía de servicio de gas. A falta de códigos locales, debe cumplirse con el Código Nacional de Combustibles ANSI Z223.1/NFPA 54.
- Deberán mantenerse en todo momento las distancias mínimas de separación de materiales de construcción combustibles (vea la Página 3).
- Inspeccione el calentador antes de cada uso y por lo menos una vez al año por un técnico calificado.



FUNCIONAMIENTO (CONTINÚA)

Instrucciones de encendido:

Encendido del calentador (Ignición)

1. Conecte el calentador a una fuente de alimentación de 3 puntas (con conexión a tierra). Si se requiere un cable de extensión, debe ser de 3 puntas (con conexión a tierra) que tenga al menos 6 pies (1.8 m) de largo y clasificación mínima de 14 AWG.
2. Conecte el calentador a un tanque de LP adecuado
3. Espere cinco (5) minutos para que el gas presente se disipe. Huela por si hubiera olor a gas. Si no huele a gas, proceda al Paso 4.
4. Gire HACIA LA IZQUIERDA la válvula del tanque de LP para cerrar la válvula y encender el suministro de gas.
5. Mueva el interruptor a la posición de encendido (ON). El ventilador debe comenzar a funcionar.
6. Presione y sostenga el botón de control de gas. Mientras lo presiona, presione el botón de encendido piezo en el lado opuesto de la base hasta que encienda el combustible. Siga manteniendo presionado el botón de control de gas por 30 segundos.
7. Si el quemador se apaga, repita el procedimiento de encendido.

Instrucciones de apagado

Para apagar el calentador:

1. Gire HACIA LA DERECHA la válvula del tanque de LP para cerrar la válvula y cortar el suministro de gas.
2. Siga operando el calentador hasta que se haya quemado todo el gas en la manguera y desaparezca la llama.
3. Desconecte el cable eléctrico.

NOTA: La temperatura de la superficie del calentador debe estar fría antes de almacenar el calentador o iniciar el mantenimiento o la limpieza del mismo.



PELIGRO

¡LA INTOXICACIÓN POR MONÓXIDO DE CARBONO PUEDE CONducIR A LA MUERTE!



PELIGRO

No debe usarse en áreas habitables residenciales ni en espacios cerrados con ventilación inadecuada.

VENTILACIÓN

- **Riesgo de contaminación del aire interior y de envenenamiento por monóxido de carbono. Utilice el calentador sólo en áreas bien ventiladas.**
- **Consulte la Información de seguridad en las páginas 2 y 3 acerca del envenenamiento por monóxido de carbono.**
- **SIEMPRE** provea una abertura para aire fresco en el espacio que caliente de por lo menos 3 pies cuadrados (0.28 m²) por cada 100,000 BTU / h (29 kW/h) de emisión del calentador. Si utiliza más calentadores, provea una abertura más grande.

Abertura de ventilación mínima necesaria

60HB2-GFA
1.8 pies ²
1670 cm ²

ALMACENAMIENTO / MANTENIMIENTO

Antes de almacenar el calentador, siempre desconecte el calentador del tanque de LP. Si por cualquier razón ha de almacenarse el calentador en un lugar bajo techo, el tanque primero se DEBE desconectar del tanque de LP y almacenarlo en un área exterior bien ventilada y fuera del alcance de los niños, de acuerdo con la más reciente edición de la Norma para el almacenamiento y la manipulación de gases de petróleo, ANSI/NFPA 58, y el Código de Instalación de gas natural y gas propano, CSA B149.1. Se debe reinstalar el tapón de plástico o la cubierta de la válvula del tanque para proteger la unión contra daños.

NOTA: La instalación y la reparación del calentador las debe realizar un técnico de servicio calificado.

SIEMPRE asegúrese de seguir los procedimientos de mantenimiento adecuados. Esto debe incluir la limpieza del interior del calentador una vez al mes y revisar la separación de la chispa por lo menos una vez por temporada de calefacción. Reajuste la separación de las terminales a 0.160 pulg. (4mm).

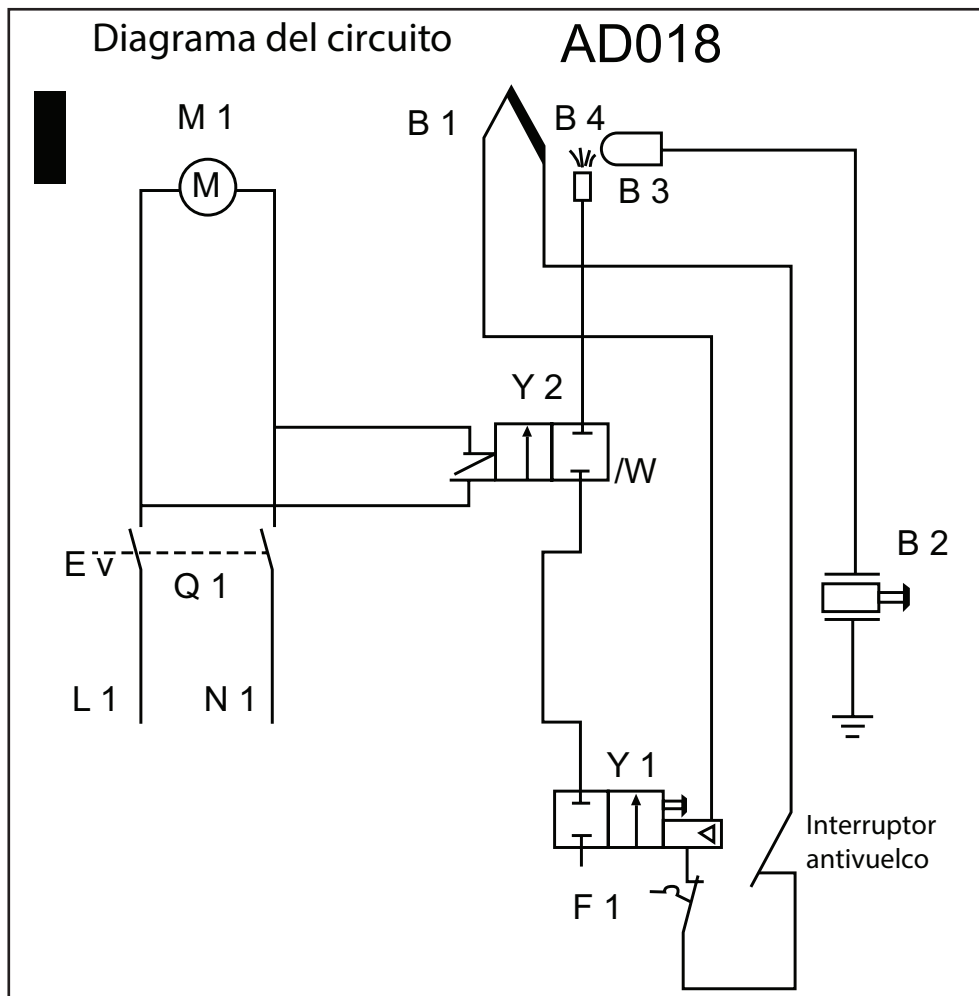


PELIGRO

Nunca almacene tanques de LP en el interior de edificios ni cerca de aparatos que quemen gas o aceite.

DIAGRAMAS ELÉCTRICOS

60HB2-GFA



GUÍA PARA LA SOLUCIÓN DE PROBLEMAS

Problema	Posible causa	Solución
El ventilador no gira cuando se conecta a la energía eléctrica.	<ol style="list-style-type: none">1. El calentador no recibe alimentación eléctrica.2. El interruptor de encendido está en posición de apagado.3. Las aspas del ventilador hacen contacto con la parte interior del alojamiento del calentador.4. Las aspas del ventilador están dobladas.5. El motor del ventilador está defectuoso.	<ol style="list-style-type: none">1. Verifique la corriente en el tomacorriente. Si el voltaje es correcto, inspeccione el cable eléctrico y la extensión para ver si están cortados o rotos.2. Mueva el interruptor rojo a la posición de encendido (ON).3. Asegúrese que el alojamiento no esté dañado. Asegúrese que el alojamiento no tenga abolladuras que obstruyan al ventilador.4. Enderece todas las aspas del ventilador.5. Reemplace el motor.
El calentador no se enciende.	<ol style="list-style-type: none">1. No hay chispa en el módulo.2. Separación de chispa incorrecta.3. Electrodo dañado.	<ol style="list-style-type: none">1. Inspeccione el alambre del módulo. Reconéctelo o apriételo si está flojo. Inspeccione si hay chispa en el módulo. Revise todos los demás componentes eléctricos.2. Ajuste la separación del enchufe a 0.16 pulg. (4 mm).3. Electrodo limpio.
El calentador se apaga solo.	<ol style="list-style-type: none">1. La temperatura interior es demasiado alta y causa que el interruptor térmico apague la unidad.2. Hay polvo o restos de material acumulados dentro del calentador.	<ol style="list-style-type: none">1. Si se restringe la entrada o la salida del calentador, la temperatura interior sube demasiado. Mantenga las áreas al frente y detrás del calentador sin obstrucciones.2. Limpie el interior del calentador.

¿PREGUNTAS, PROBLEMAS, FALTAN PIEZAS?

Antes de devolverlo a su minorista, llame a nuestro Departamento de servicio a clientes de Pinnacle Climate Technologies al 800-641-6996 o escriba a sales@pinnacleclimate.com.

GARANTÍA LIMITADA

Pinnacle Climate Technologies, Inc. garantiza este calentador únicamente al comprador minorista original, como libre de defectos en materiales y mano de obra por un periodo de un (1) año a partir de la fecha de la compra inicial. Este producto debe instalarse, mantenerse y usarse correctamente de acuerdo con las instrucciones suministradas.

Pinnacle Climate Technologies, Inc. requiere un comprobante razonable de su fecha de compra a un minorista o distribuidor autorizado.

Por lo tanto, debe conservar su recibo de venta, factura o cheque cancelado de la compra original. Esta Garantía Limitada se limitará a la reparación o reemplazo de piezas que resulten defectuosas durante el uso y servicio normales dentro del periodo de la garantía, lo cual determinará Pinnacle Climate Technologies, Inc. a su criterio razonable.

Esta garantía no se aplica a los productos comprados para uso en alquiler.

Esta Garantía Limitada no cubre fallas o dificultades de funcionamiento debidas a uso y desgaste normales, accidente, abuso, uso inadecuado, modificación, mala aplicación, instalación inadecuada o mantenimiento y servicio inadecuados por usted o un tercero. Tampoco cubre el daño por falta de mantenimiento normal y de rutina al calentador, daño en el envío, daño relacionado con insectos, aves o animales de cualquier tipo y daños causados por condiciones climáticas.

Además, la Garantía Limitada no cubre daños en el acabado como rayones, abolladuras, decoloración, corrosión u otros daños causados por el clima después de la compra.

Todos los costos de transporte para devolver un producto o piezas dañadas serán responsabilidad del comprador. Al recibir el artículo dañado, Pinnacle Climate Technologies, Inc. lo examinará y determinará si está defectuoso. Pinnacle Climate Technologies, Inc. reparará o reemplazará y devolverá el artículo, con el flete pagado

por adelantado. Si Pinnacle Climate Technologies, Inc. descubre que el artículo está en condiciones normales de funcionamiento o que no está defectuoso, se devolverá el artículo con el flete por cobrar. Esta Garantía Limitada reemplaza a todas las demás garantías expresas. Pinnacle Climate Technologies, Inc. se desiste de todas las garantías de productos que se compren a vendedores que no sean distribuidores o concesionarios autorizados.

DESPUÉS DEL PERIODO DE UN (1) AÑO DE LA GARANTÍA EXPRESA, Pinnacle Climate Technologies, Inc. SE DESISTE DE TODAS Y CADA UNA DE LAS GARANTÍAS IMPLÍCITAS, INCLUIDAS, SIN LIMITACIONES, LAS GARANTÍAS IMPLÍCITAS DE COMERCIALIZACIÓN Y APTITUD PARA UNA APLICACIÓN EN PARTICULAR. ADEMÁS, Pinnacle Climate Technologies, Inc. NO TENDRÁ RESPONSABILIDAD ALGUNA ANTE EL COMPRADOR O CUALQUIER TERCERO POR DAÑOS ESPECIALES, INDIRECTOS, PUNITIVOS, INCIDENTALES O EMERGENTES. Pinnacle Climate Technologies, Inc. no asume responsabilidad alguna por cualquier defecto ocasionado por terceros. Esta Garantía Limitada otorga al comprador derechos legales específicos; el comprador podría tener otros derechos, dependiendo de dónde viva. Algunos estados no permiten la exclusión o limitación de daños especiales, incidentales o emergentes o limitaciones a la duración de una garantía, así que la exclusión y las limitaciones anteriores podrían no aplicarse en su caso.

Pinnacle Climate Technologies, Inc. no autoriza a persona o compañía alguna a asumir por ella alguna otra obligación o responsabilidad relacionada con la venta, instalación, uso, retiro, devolución o reemplazo de su equipo, y ninguna declaración de tal índole es vinculante para Pinnacle Climate Technologies, Inc.

Asegúrese siempre de especificar el número de modelo y número de serie cuando haga alguna reclamación a Pinnacle Climate Technologies, Inc. Para su comodidad, use el espacio provisto abajo para indicar esta información.

N.º de modelo: _____

N.º de serie: _____

Fecha de compra: _____

