

Installation Guide

The following instructions will guide you through the installation of your new fence style. You will find instructions for fence lay-out, setting posts, cap installation and clean up, common for each style. Follow the style specific instructions for assembling fence sections for the fence style you've purchased.

Installation Steps

Step 1. Layout fence and position posts

- Remember – Consider soil conditions, slopes, utility locations and property lines when positioning posts.
- Run a string line to locate the fence line, using the line to establish the outside faces of your posts (Fig 1).
- Stake out the fence posts, locating line, corner, end and gate posts. Mark the centers of the post locations for your fence style and gate using dimensions from the Post Location Chart below.

Post Location Chart

The following chart summarizes sizes and measurements for posts, fence sections and gates.

Fence Style	Post Size	Fence Span	Fence: On-Center Distance	Gate Opening	Gate: On Center Distance
Picket Fence	4 x 4	68"	72"	48"	52"
Privacy & Privacy w/ Lattice	5 x 5	68 3/8"	73 3/8"	48"	53"
Ranch Rail	5 x 5	93"	98"	72"	77"

("On Center" means from center of one post to center of next post):

- Ensure square corners with the 3-4-5 Triangle Method (Fig. 2).

Post Styles.

- There are 3 styles of posts needed to complete your project (Fig. 3). Line Posts, Corner Posts and End Posts (Also use End Posts for Gate Posts).

Make sure you have the correct type and quantity of posts before proceeding.

Step 2. Set posts

- Remember – Call before you dig. Contact your local utility providers to locate underground utilities in the area.
- Dig or auger post holes based on the dimensions in chart below. Ensure that the bottom of the post is set at exactly 24" below grade for the Picket and Ranch Rail styles, 32" below grade for the Privacy and Privacy with Lattice styles, plus a 6" gravel base in each hole (Fig. 4).

Post Setting Chart

Fence Style	Post Size	Post Depth (A)	Post Hole Depth (B)	Post Hole Diameter (C)
Picket Fence	4" x 4"	24"	30"	10"
Privacy & Privacy w/ Lattice	5" x 5"	32"	38"	12"
Ranch Rail	5" x 5"	24"	30"	12"

- Remember – In frost regions, dig the post holes deep enough to ensure concrete extends below the frost line.
- Prior to pouring concrete, ensure the routed holes in the posts are oriented in the correct direction.
- Mix concrete according to manufacturers specifications. Place and hold the post while pouring concrete 6" at a time, tamping to eliminate air pockets. Leave enough space at the top of the concrete to allow sod to grow around the post. Set the correct post height, plumb and level each post.
- Before concrete sets, site down the fence line and, if necessary, adjust posts. If posts are too high, place a wooden block across the top of the post and tap down with a rubber mallet. Allow post concrete to set 24 – 48 hours before installing fence sections.

What You'll Need

- Power auger or post hole digger and shovel
- Post hole concrete and gravel
- String line, stakes and level
- Electric drill, 1/8" drill bit and #2 Philips bits
- Tape measure
- Safety glasses and work gloves
- PVC adhesive
- Miter Saw/Chop Saw (optional if cutting down rails or pickets)
- File (optional for sloped picket installations)

Fig. 1 Sample Staking and Post Layout

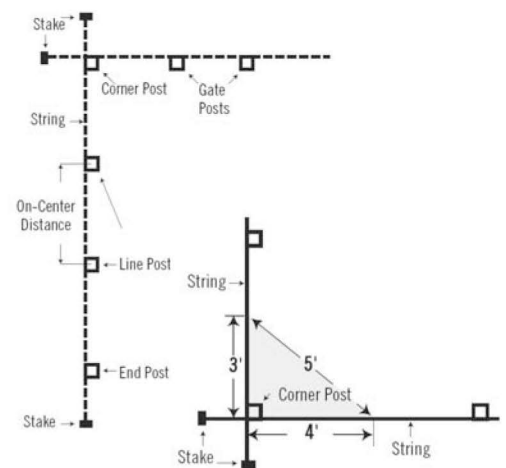


Fig. 2 3-4-5 Triangle Method

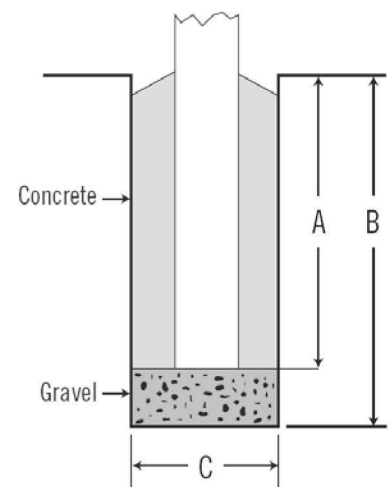
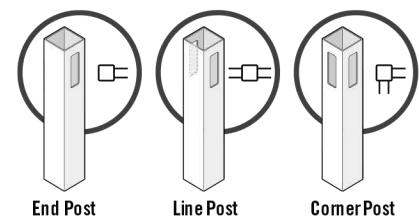
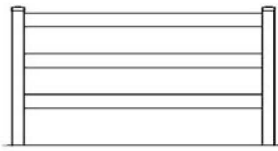


Fig. 4 Post Hole Dimensions

Step 3.

Ranch Rail



- a) **Install Rails clips:** Insert supplied rail clips (Fig. 6) into both ends of the rails before inserting rails into posts. If trimming rails is required, drill a 1/2" hole at cut ends to accept the rail clip. (Fig. 6)
- b) **Install Rails:** Insert bottom rail into routed post, left side first, as far as it will go, then slide right side of rail into the other post, fully engaging the clip. Work your way up, repeating this step, until all rails in each section are installed.

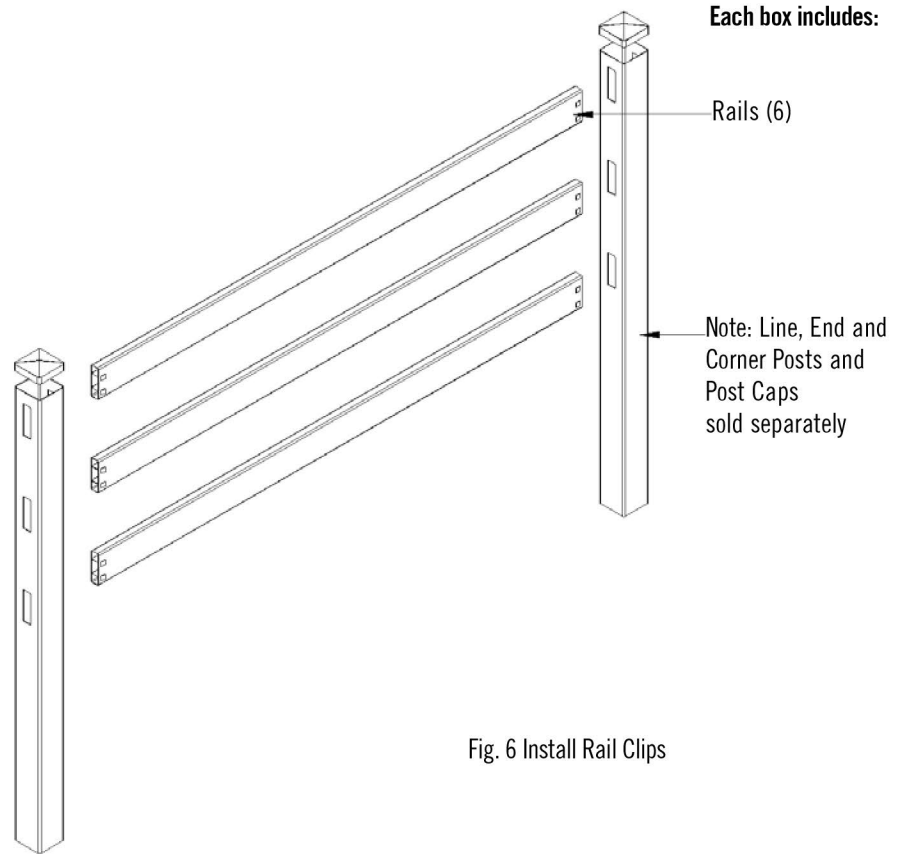


Fig. 6 Install Rail Clips

2-Rail Design

If a 2-Rail design is desired, cut the top 16" from the posts (2" above middle hole), keeping the caps for reuse. Follow steps a and b from above.



Step 4. Reinforce gate posts

- Install hinges and latch prior to setting posts and pouring concrete. Reinforce hinge and latch posts with two 6' pieces of #4 rebar (Fig. 7).
- Tape off ends of rails that will be joining the gate posts – this will prevent concrete from filling rails. Set posts and pour concrete as per Step 2.
- Pour concrete into posts, tamping occasionally to remove air pockets.
- Follow the gate installation instructions included with your gate kit.

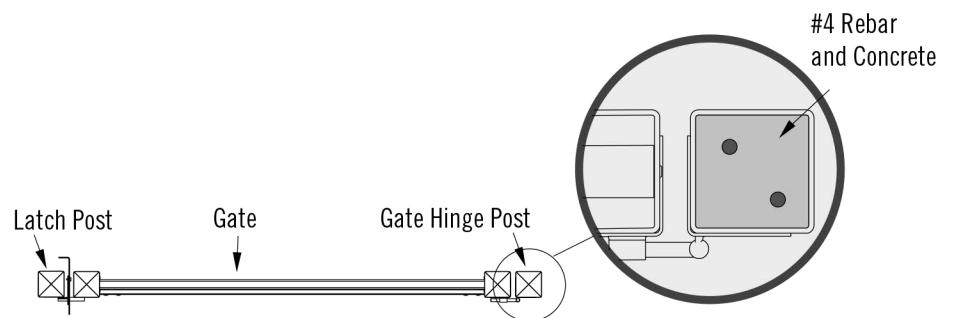


Fig. 7 Reinforced Gate Posts

Step 5. Attach the post caps

- Glue caps onto the posts with a UV-rated, "hot glue" classified PVC adhesive.

Step 6. Clean up

- Clean off cement splatter with mild detergent and non-abrasive cloth, then hose down with clean water.

This brochure is for illustration purposes only. Use of this product must be in accordance with all local zoning and/or building codes. Consumer assumes all risks and liability associated with the use of this product. For details on safe handling, go to UFPI.com/SafeHandling. For warranty details see the express written limited warranty for your product.