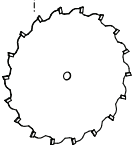
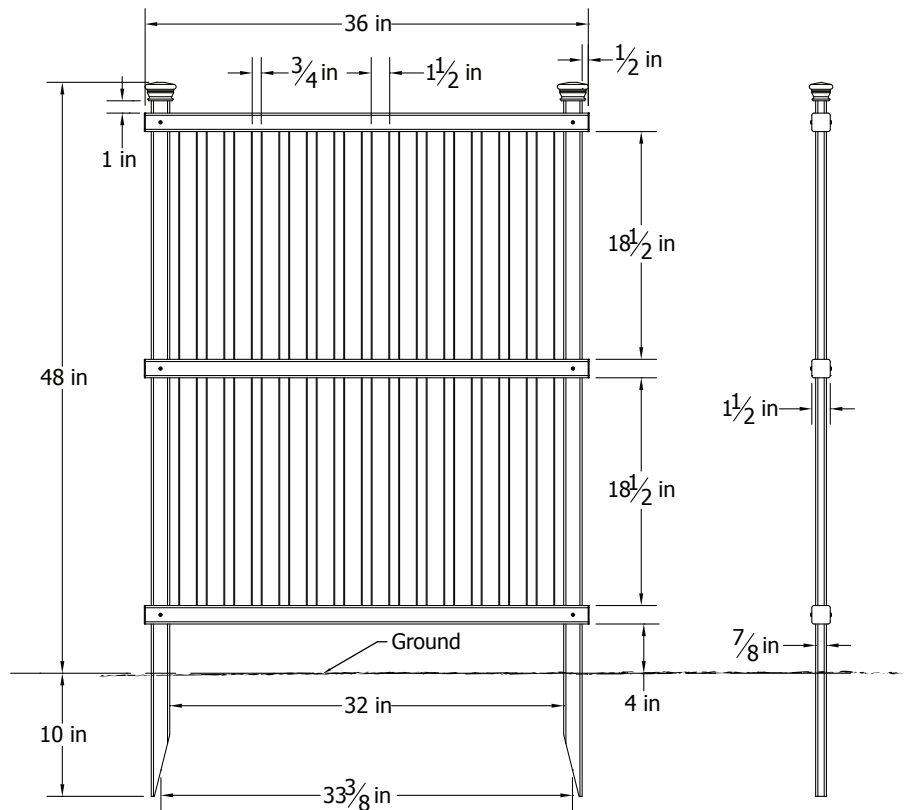
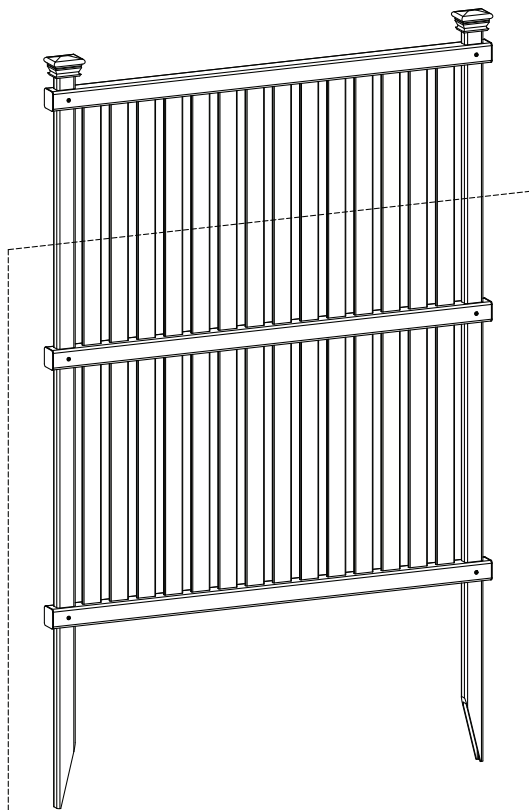


ASSEMBLY INSTRUCTIONS

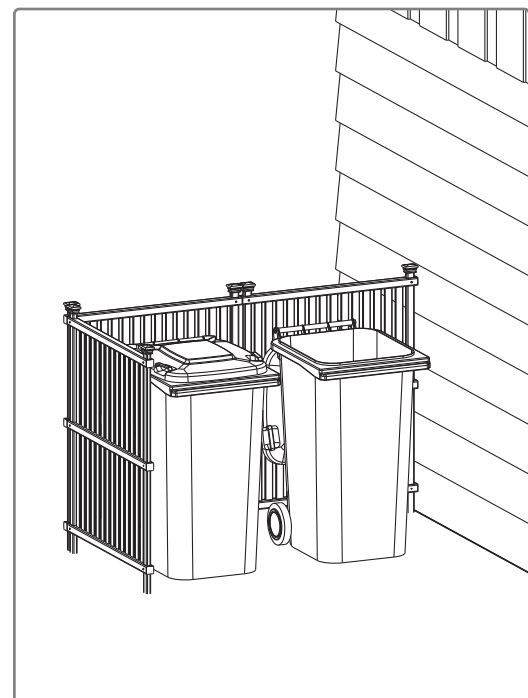
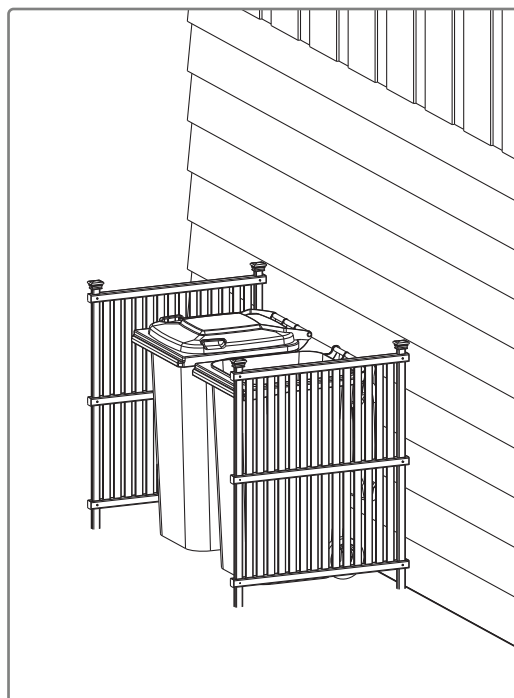
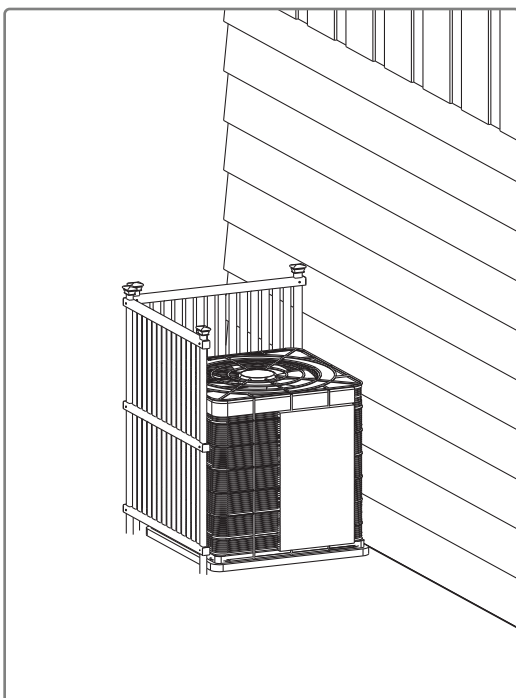
Wilmington Vinyl Screen Kit 2 Pack (36"W x 48"H)



ZIPPITY
DO-IT-YOURSELF
FRIENDLY PRODUCTS



If necessary, this enclosure can be trimmed down horizontally and vertically to fit your custom space. Use a fine toothed circular or hack saw. Rails will need to be re-spaced and configured accordingly



GENERAL INFORMATION



ZIPPITY
DO-IT-YOURSELF
FRIENDLY PRODUCTS

Please read through before starting assembly.

IMPORTANT: CHECK THE INSIDE OF THE LARGER PIECES IN YOUR BOX FOR OTHER MATERIALS PACKED INSIDE.

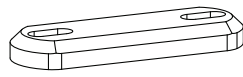
Check Box for These Contents

In the event of missing or defective parts please call our customer service department at **1 877 234 6196** (Mon. to Fri. 8:00 AM to 4:00 PM EST).

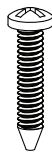
1. Post Caps (4)
2. Top and Bottom Rails (4) - 1½" x 1½" x 36½"
3. Posts (4) - .875" x 1½" x 57½"
4. Slats (28) - ¼" x 1½" x 41"
5. Middle Rail (2) - 1½" x 1½" x 36½"
6. Joiner Clips (4)
7. 3/4" Self-Auguring Stainless Steel Screw (32)

Tools You Will Need

- Cordless Drill
- Level
- Hammer

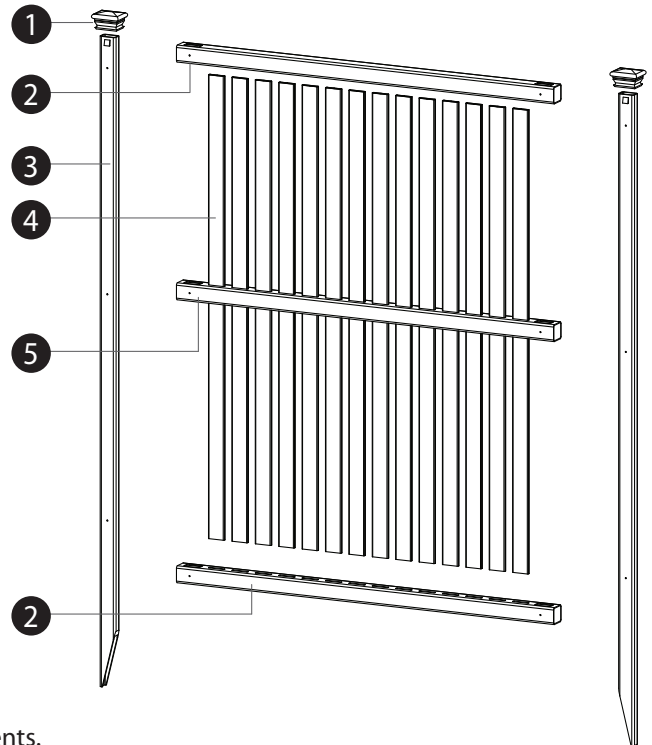


6



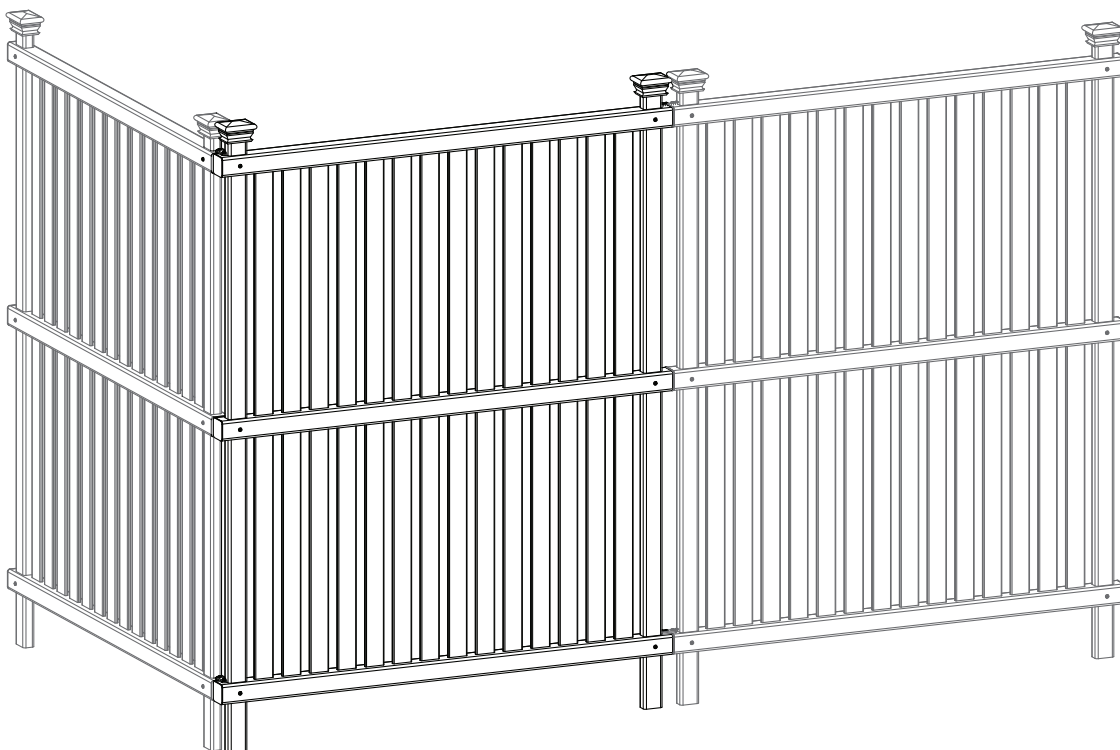
7

Not to Scale



General Information

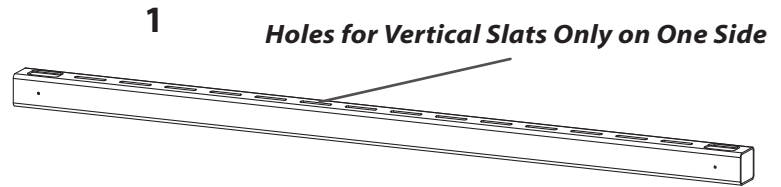
- **Read Instructions through carefully before beginning assembly.**
- When assembling components, place on a non-abrasive surface (i.e. shipping box) to avoid scratching.
- We recommend an area approx 5' x 8' for unobstructed assembling.
- You should not need to use excessive force when assembling components.



STEP ONE

1

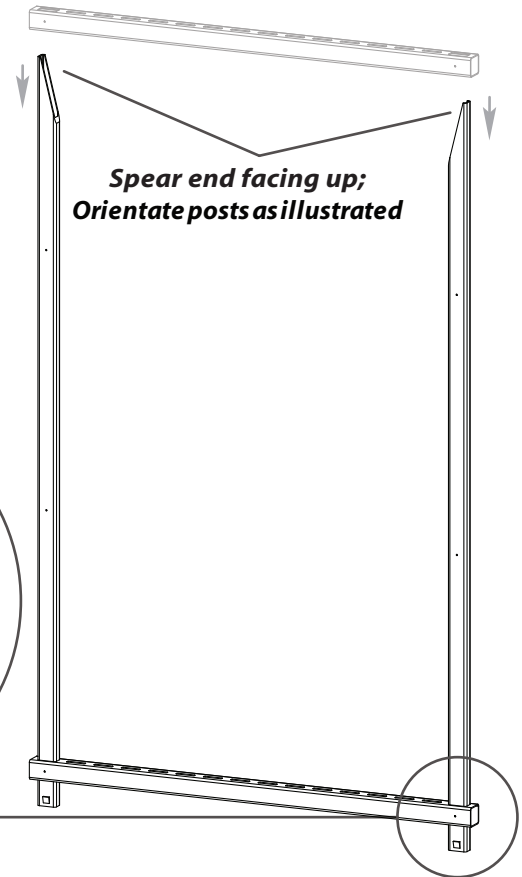
Identify the top and bottom rails (rails with holes on only one side for vertical slats)



2

Position the two posts as illustrated and slide the top rail (with holes facing up as illustrated) down over the posts until the pre-drilled holes in rails are aligned with the pre-drilled holes in both posts.

2



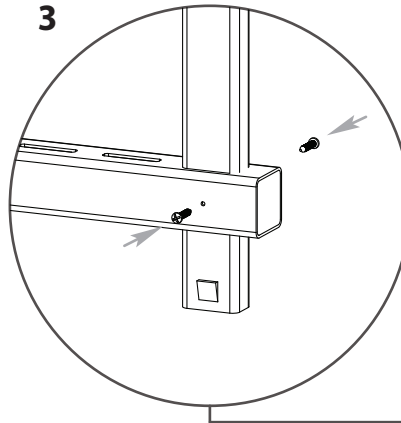
Tip!

Shine an LED light from smart phone or flashlight down the end of the posts to help identify alignment of pre-drilled holes if necessary.

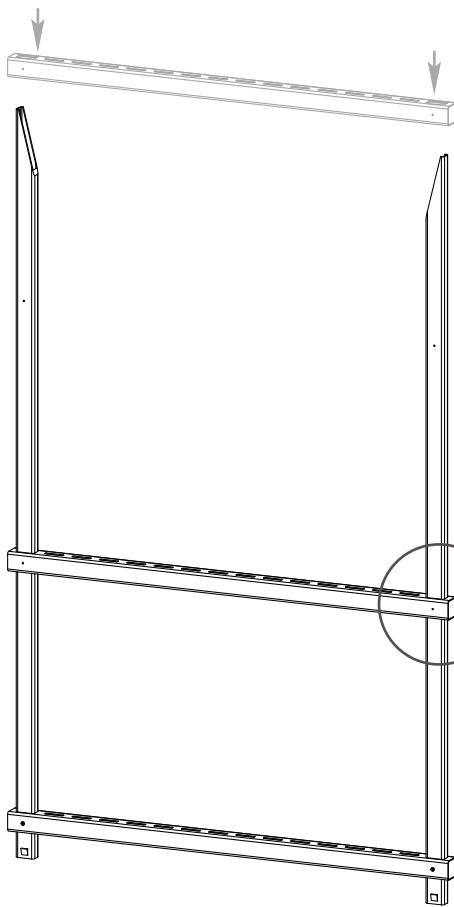
3

Screw the top rail into both sides of both posts.

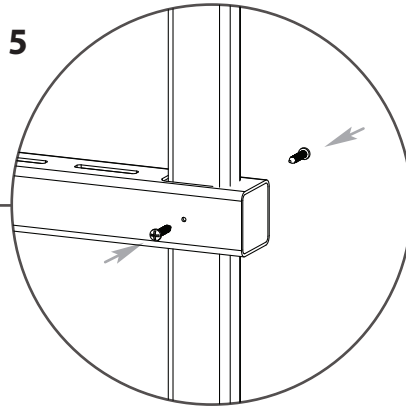
3



4



5



4

Slide the middle rail (with holes on both sides) over the posts until the pre-drilled holes in the rail are aligned with the pre-drilled holes in both posts.

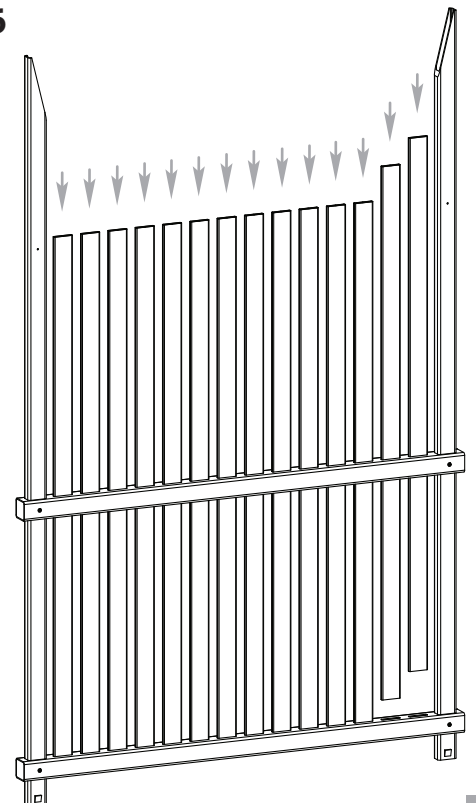
5

Screw the middle rail into both sides of both posts.

6

Slide all vertical slats down thru the middle rail and down into the top rail.

6



STEP TWO

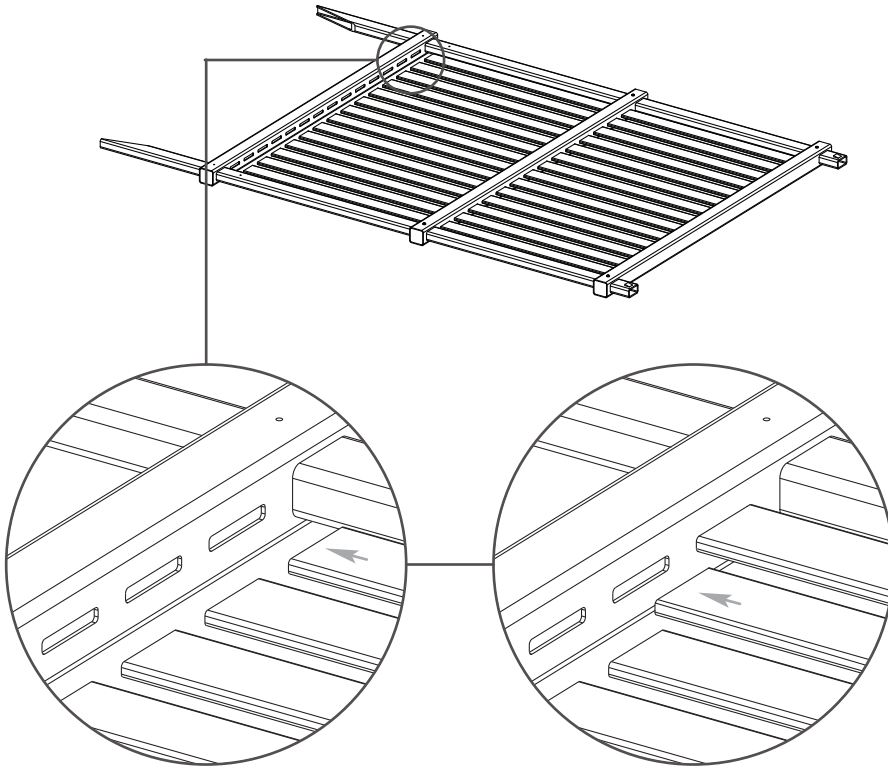
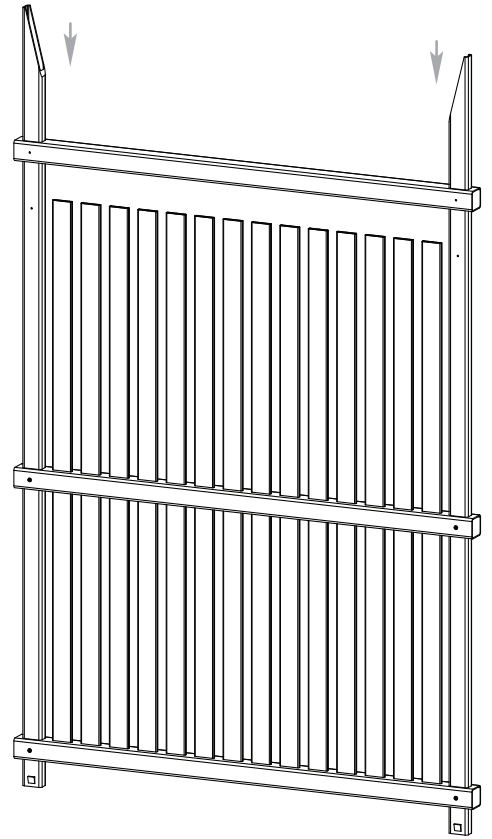
1

Slide the bottom rail (same as the top rail) over the posts and begin aligning vertical slats one by one into the bottom rail.

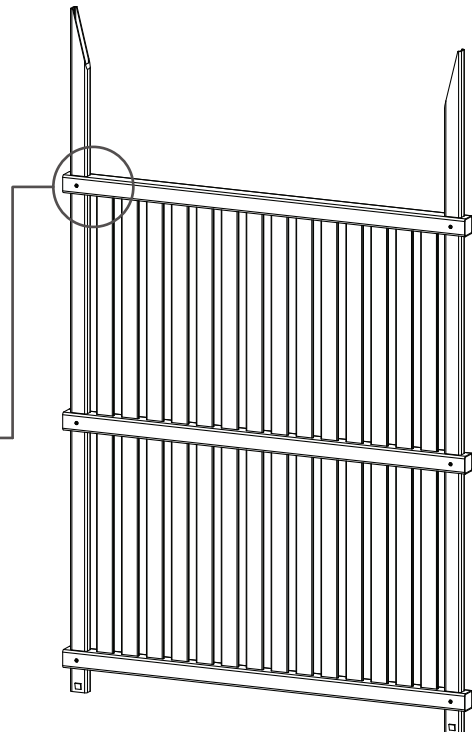
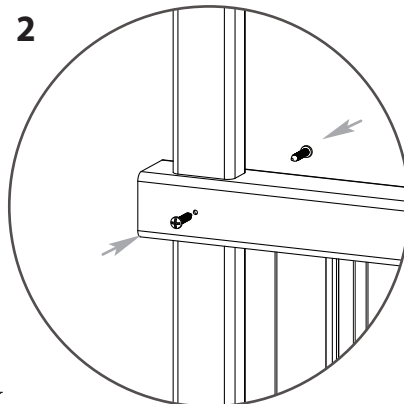
2

Align the pre-drilled holes on the rail with the pre-drilled holes in the posts and fasten with screws on both sides of post.

1



2



STEP THREE

Install Screen into Ground

1

Move the screen to its final location and identify the location of posts.

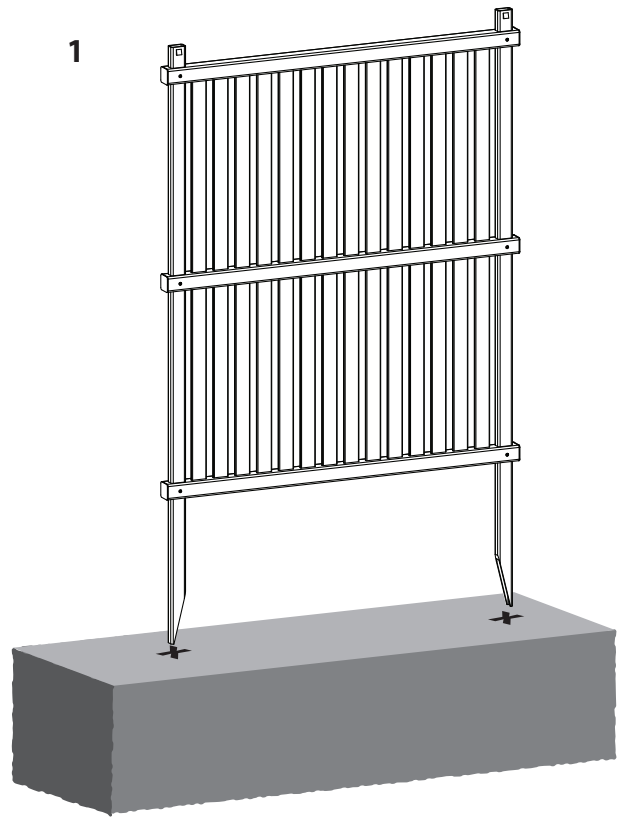
2

Attempt to push the unit into the ground as illustrated

Optionally:

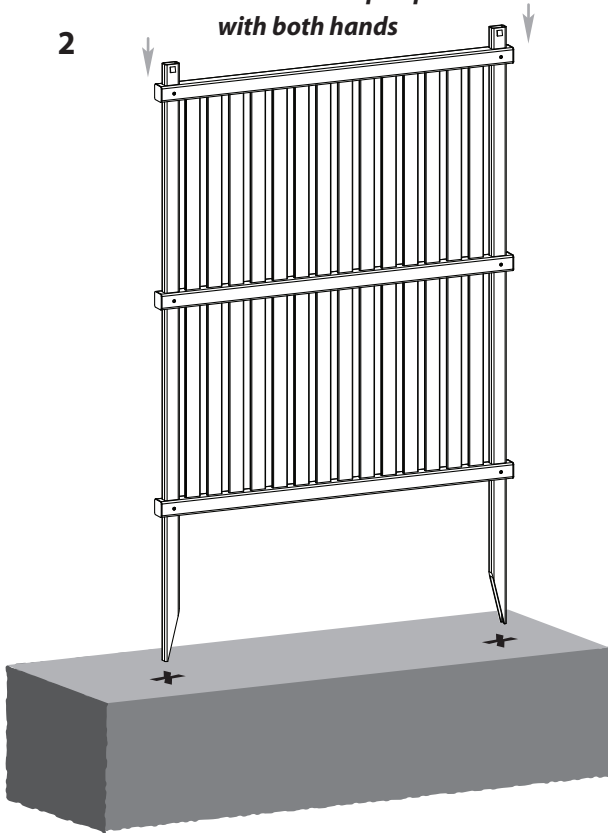
1. If your ground is too hard, loosen the top 6" or 7" of the ground with a claw hammer as illustrated.
2. Add water to loosened soil
3. Use a block of wood to protect the top of post and gently hammer the post into the ground.

1



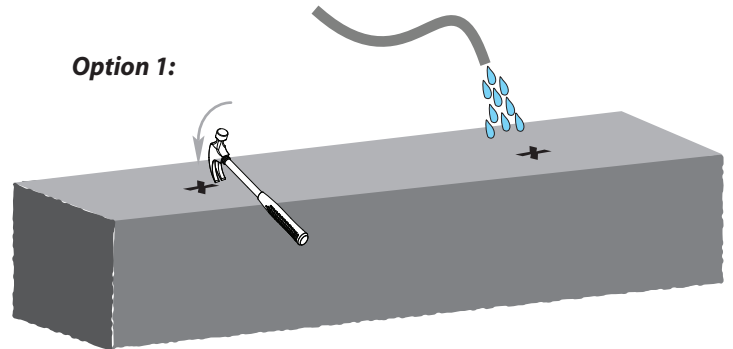
*Push down on the top of posts
with both hands*

2

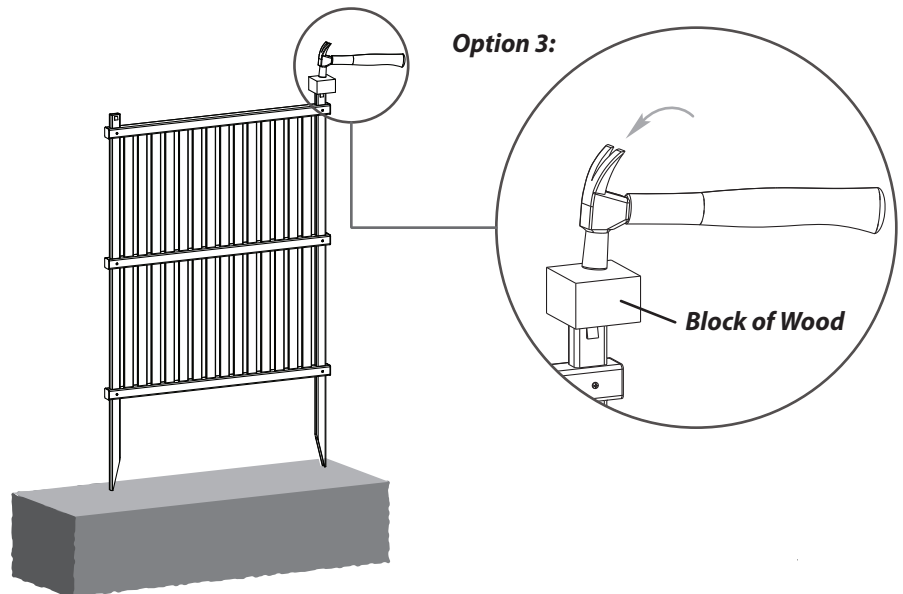


Option 2:

Option 1:



Option 3:

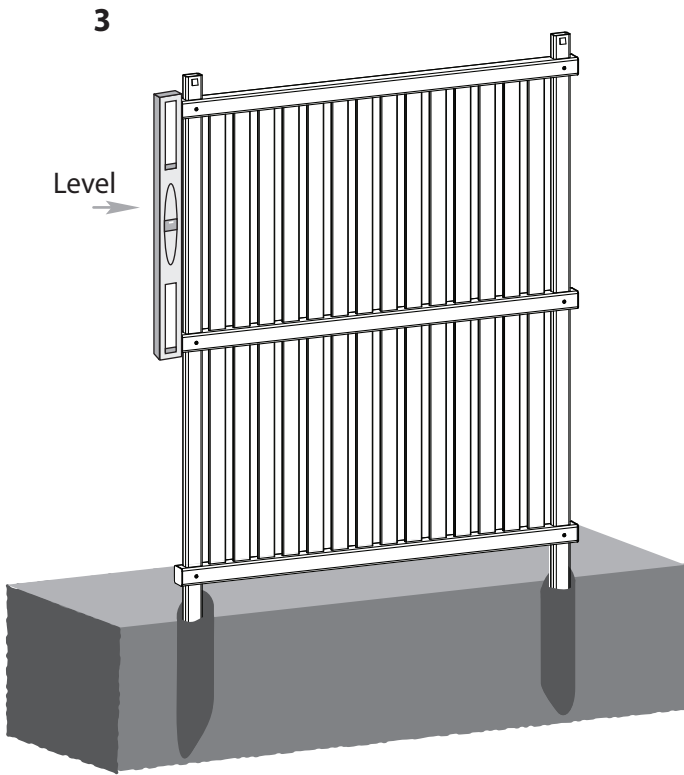


STEP THREE

Install Screen into Ground (Continued)

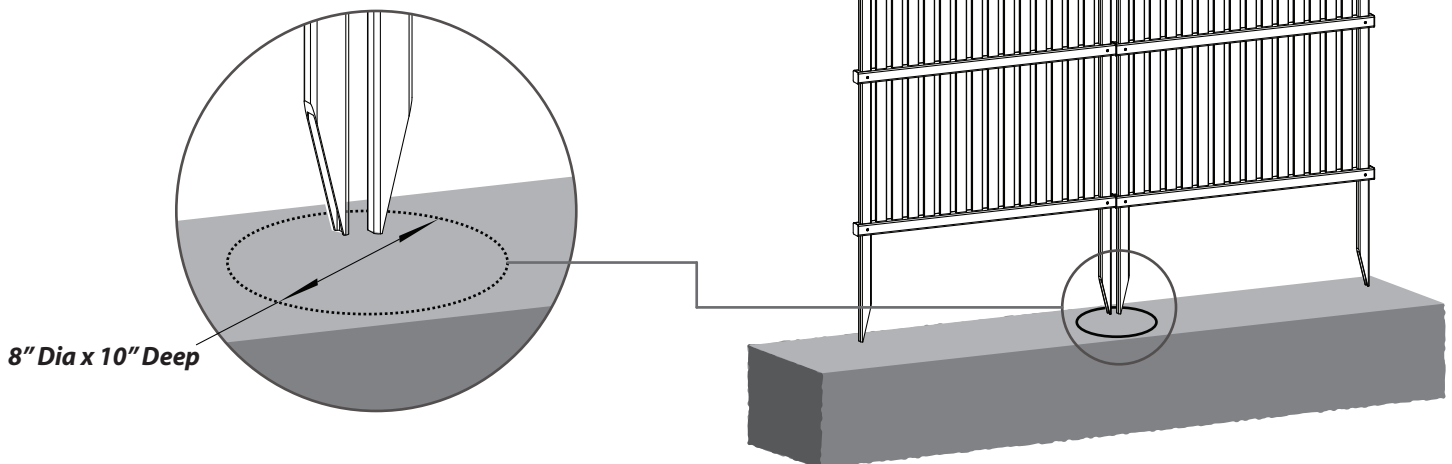
3

Level the screen as necessary and backfill excavated dirt and tamp as necessary.



If your ground is really hard, you may need to dig a hole large enough to accommodate one post from each panel into the same hole - Approximately 8" in diameter and 10" deep.

Backfill and compact the dirt.



STEP FOUR

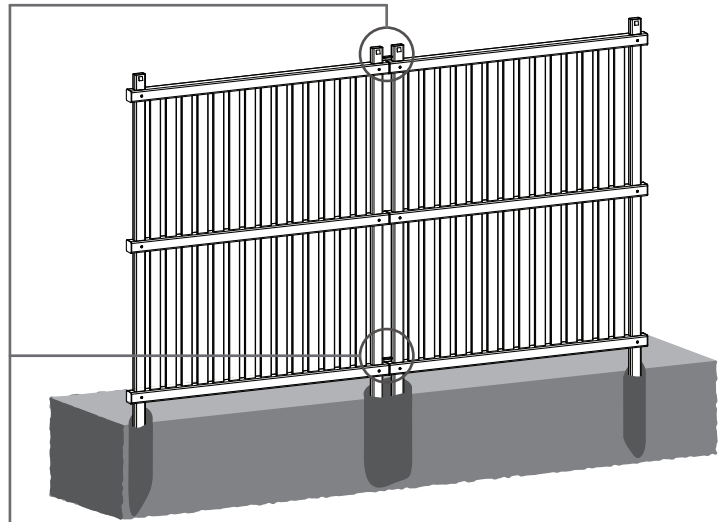
Fasten Joiner Clips

1

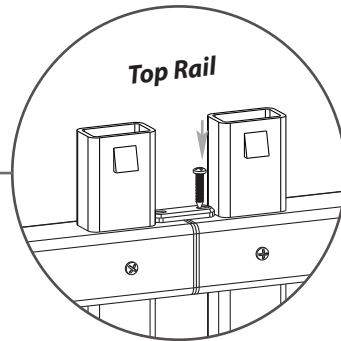
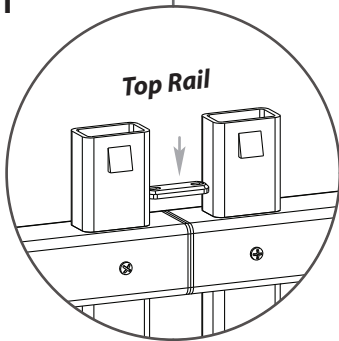
Fasten screens together by using joiner clips as illustrated.

2

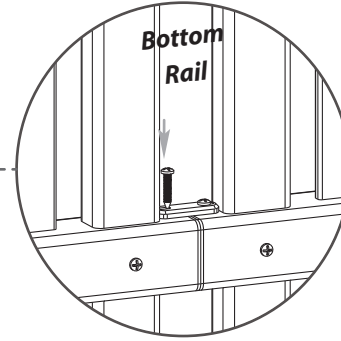
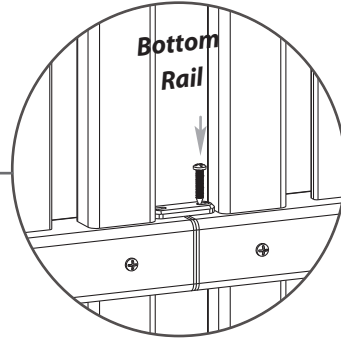
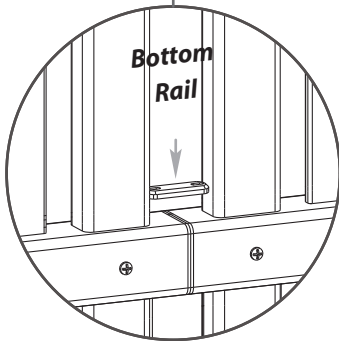
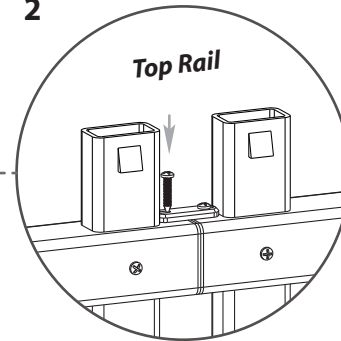
Fasten the opposite end of the joiner clip as illustrated.



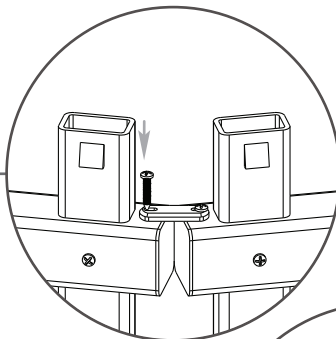
1



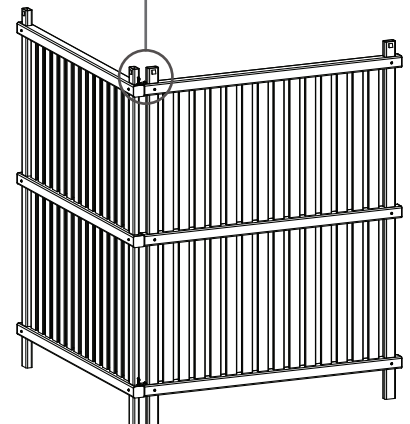
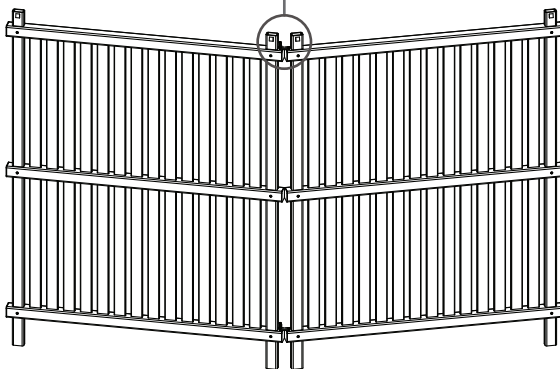
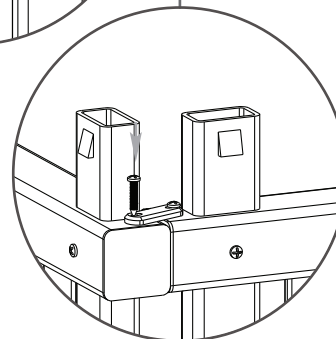
2



Angled Screens Application



Corner Screens Application



STEP FIVE

Fasten Post Caps

1

Push the post caps down over the posts to lock into place.

