



## ASSEMBLY/INSTALLATION

# Screw Drive Models

### PRE-INSTALLATION CONSIDERATIONS

This operator includes parts and supplies needed for installation in MOST garages and on MOST garage doors. There are many variations of garages and garage doors. A few additional parts and supplies may be needed for installation in YOUR garage and to YOUR garage door. While going over these instructions, please note the additional items you may need. For help finding a local Genie® Professional Dealer call Customer Service at 1-800-35-GENIE.

There are a few specific areas which might require extra materials. **Measure the height of your door. For doors taller than 7' and up to 8' in height, you will need a Rail Extension Kit for the door to fully open.**

**See section 3** - The header above the garage door where torsion springs are used—does it extend far enough above the spring(s) to allow mounting of the header bracket? If not, or if you can't tell—you will probably need a piece of 2" x 6" lumber to span across wall studs. **See section 5** - The area overhead where the operator will be mounted—if you have a finished ceiling, you will need a piece of angle iron which can span across beams of trusses. **See section 8** - Is there wood along the door tracks near the floor where the Safe-T-Beam™ can be most easily mounted, or will you need fasteners or some other material for mounting to the track itself? Will you need extension brackets or wooden blocks to extend the Safe-T-Beam far enough off the wall to see past any door hardware?

Is there an electrical outlet within approximately 3' of the point where the operator will be? If not, you need to contact a licensed electrician.

Check condition of your door and all its associated hardware: Tracks, springs, hinges, rollers. Is anything loose or appear to be worn? If so, call a trained professional for an evaluation and repairs, if needed. **DO NOT ATTEMPT TO ADJUST SPRINGS OR THEIR ATTACHED PARTS!**

Operate the door manually. Does it move freely and smoothly? Check the balance of the door by manually lifting it halfway open and release. It should stay put or move very slowly. If not, call a trained professional for repairs.

Remove all ropes and remove or disable all locks connected to the garage door. It is also recommended that T-handles be removed. It is recommended that closed loop lifting handles with no protruding parts remain.

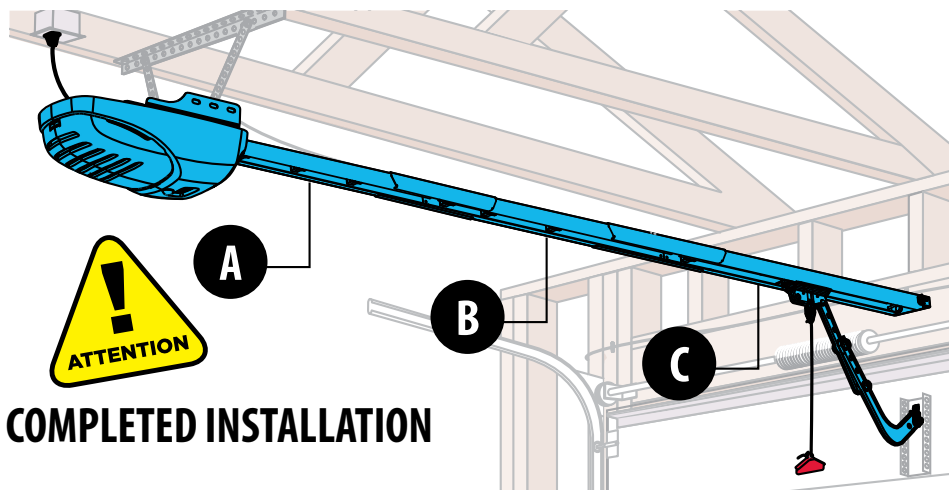
## ASSEMBLY AND INSTALLATION VIDEO



Scan this code for installation videos

OR view on Genie's website:

[www.GenieCompany.com](http://www.GenieCompany.com)



# IMPORTANT INSTALLATION INSTRUCTIONS

### POTENTIAL HAZARDS

Overhead doors are large, heavy objects that move with the help of springs under high tension and electric motors. Since moving objects, springs under tension, and electric motors can cause injuries, your safety and the safety of others depends on you reading the information in this installation poster. If you have questions or do not understand the information presented, call The Genie Company (1-800-35-Genie). In this section, and those that follow, the words Danger, Warning and Caution are used to emphasize important safety information.

**⚠ DANGER** indicates an imminently hazardous situation which, if not avoided, will result in death or serious injury.

**⚠ WARNING** indicates a potentially hazardous situation which, if not avoided, could result in death or serious injury.

**⚠ CAUTION** indicates a potentially hazardous situation which, if not avoided, may result in injury or property damage.

**NOTE** is used to indicate important steps to be followed or important considerations.

### ⚠ WARNING

#### TO REDUCE THE RISK OF SEVERE INJURY OR DEATH

READ AND FOLLOW ALL SAFETY, INSTALLATION AND OPERATION INSTRUCTIONS. If you have any questions or do not understand an instruction, call The Genie® Company or your local Genie® Factory Authorized Dealer.

- **DO NOT** install operator on an improperly balanced door. An improperly balanced door could cause severe injury. Repairs and adjustments to cables, spring assembly, and other hardware must be made by a trained service person using proper tools and instructions.
- Remove all ropes and disable all locks connected to the door before installing operator.
- Where possible, install door operator 7 feet or more above the floor. For products having an emergency release, mount the emergency release within reach, but at least 6 feet above the floor and avoiding contact with vehicles to avoid accidental release.
- **DO NOT** connect the operator to the source of power until instructed to do so.
- Locate the wall console button: A) Within sight of door. B) At a minimum height of 5 feet so small children cannot reach it. C) Away from all moving parts of the door.
- Install the entrapment WARNING label next to the wall button or console. Install emergency release handle on the emergency release cord.
- The operator must reverse when the door contacts a 1-1/2 inch high object on the floor at the center of the doorway. This is about the size of a 2" x 4" board laid flat.

### ⚠ WARNING

**⚠ A moving door could result in serious injury or death.**



- Keep people clear of opening while door is moving.
- **DO NOT** allow children to play with the door operator.
- **DO NOT** operate a door that jams or one that has a broken spring.

### ⚠ WARNING

**⚠ An Electrical Shock could result in serious injury or death.**



- Turn off power before removing operator cover.
- When replacing cover, make sure electrical wires are not pinched or near moving parts.
- Operator must be properly grounded.

### ⚠ WARNING

**WARNING—HIGH SPRING TENSION**



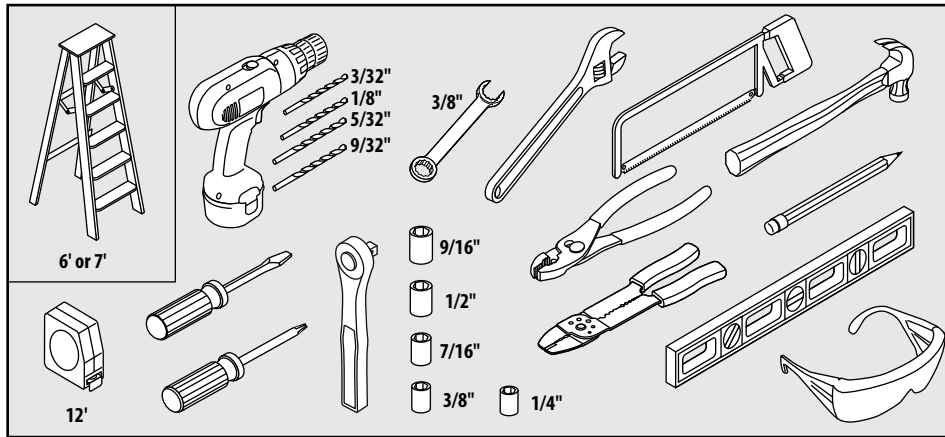
- **DO NOT** try to remove, repair or adjust springs or anything to which door spring parts are fastened, such as wood block, steel brackets, cables or other like items.
- Repairs and adjustments must be made by a trained door system technician using proper tools and instructions.



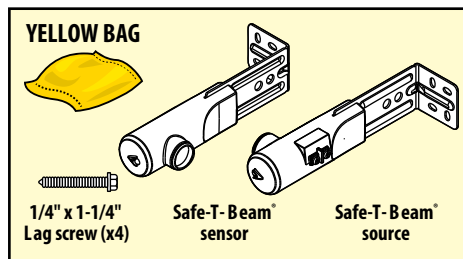
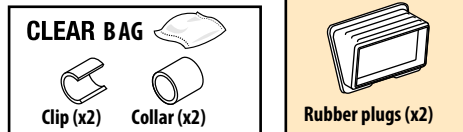
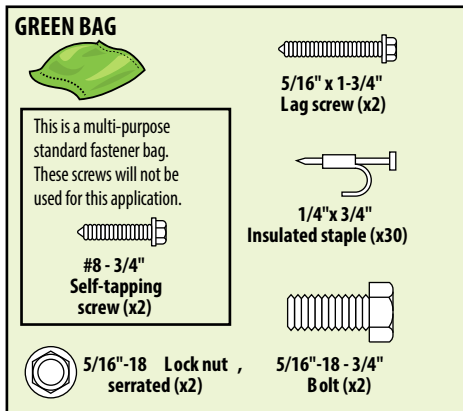
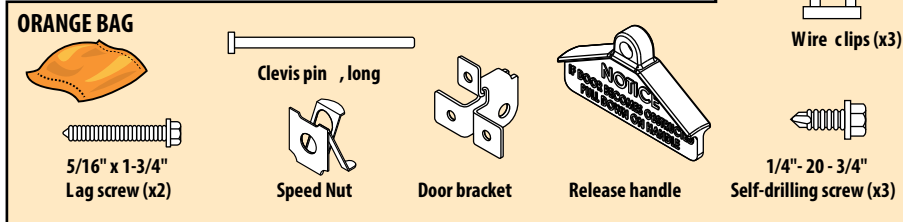
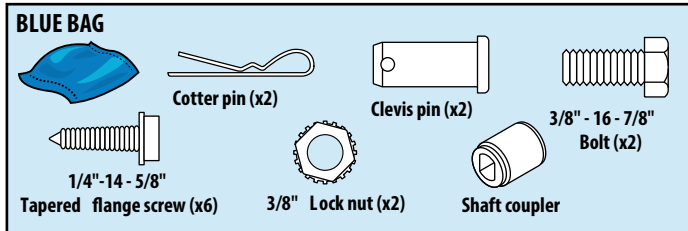
**NEED HELP OR HAVE QUESTIONS?**  
**DO NOT RETURN** to the store.  
 Call Genie: 1-800-354-3643 or visit [www.geniecompany.com](http://www.geniecompany.com)



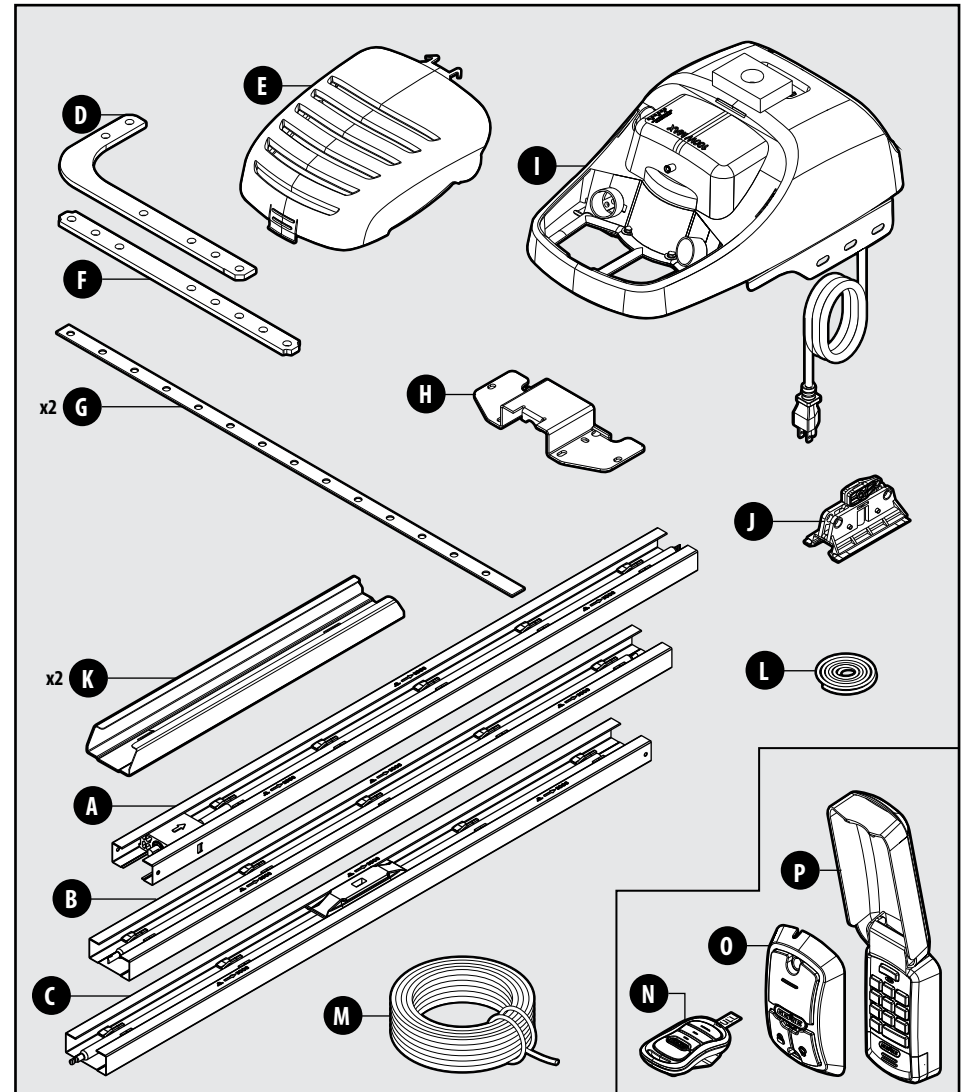
## RECOMMENDED TOOLS



## HARDWARE BAGS



## PARTS INCLUDED



## PARTS LIST

- |                                |                            |  |
|--------------------------------|----------------------------|--|
| (A) Powerhead end rail section | (G) Mounting straps        | (M) Safe-T-Beam and wall console electrical wire |
| (B) Middle rail section        | (H) Powerhead bracket      | (N) Remote                                       |
| (C) Door end rail section      | (I) Powerhead              | (O) Wall console                                 |
| (D) Door arm, curved           | (J) Shuttle                | (P) Wireless keypad (Optional on some models)    |
| (E) Powerhead lens cover       | (K) Rail connector         |  |
| (F) Door arm, straight         | (L) Emergency release cord |  |

# 1

## RAIL ASSEMBLY (CLEAR BAG)

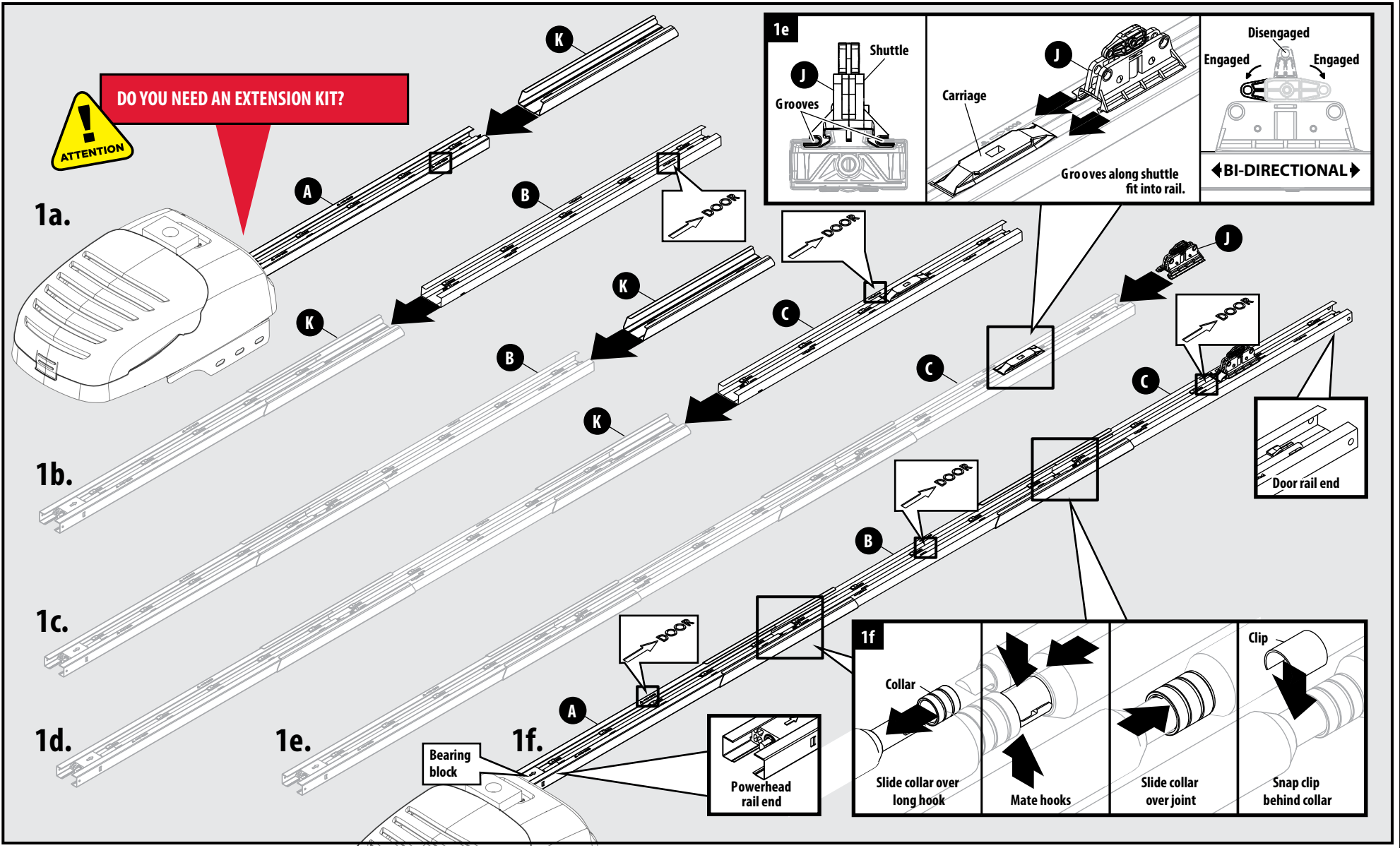


1. Check door height; doors over 7' and up to 8' height require a Rail Extension Kit (available at leading retail stores)

2. If you need an extension kit, **YOU MUST FULLY READ EXTENSION KIT INSTRUCTIONS AND WARNINGS BEFORE PROCEEDING.**

- 1a. Slide one rail connector (K) over Powerhead end rail section (A) until it locks. If necessary to unlock rail connector, use flat-head screwdriver to gently bend tab up and remove connector. Once removed, bend tab back down to lock with rail.
- 1b. Slide middle rail section (B) into the rail connector (K) until it locks.
- 1c. Slide second rail connector (K) onto other end of middle rail section (B) until it locks.

- 1d. Slide door end rail section (C) into the rail connector (K) until it locks.
- 1e. Align grooves along shuttle (J) into door end rail (C). Slide shuttle over carriage until it locks into place.
- 1f. Secure screw drives of each section with (2) collars and (2) clips. If necessary, press down on shuttle/carriage and then push screw in end rail section (C) to mate with screw in middle rail section (B).



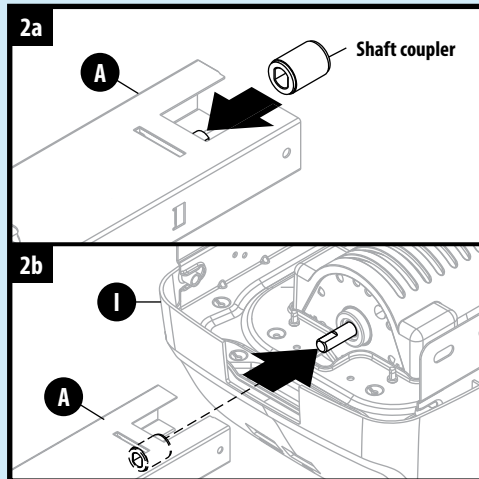
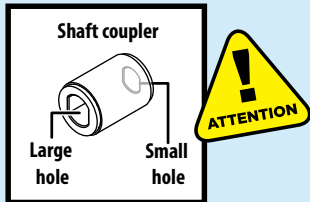
# 2

## ATTACH RAIL TO POWERHEAD (BLUE BAG)



- 2a.** Flip the rail (A) over with the open side facing down, and slide the shaft coupler large hole over the screw drive.
- 2b.** Align shaft coupler small hole with the motor shaft and slide screw drive and coupler together onto the motor shaft.

**NOTE:** The motor shaft can be rotated using a 3/8" wrench.



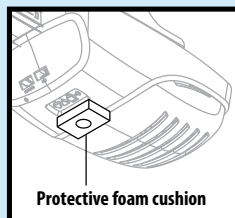
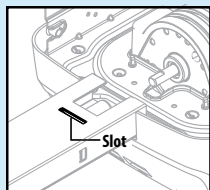
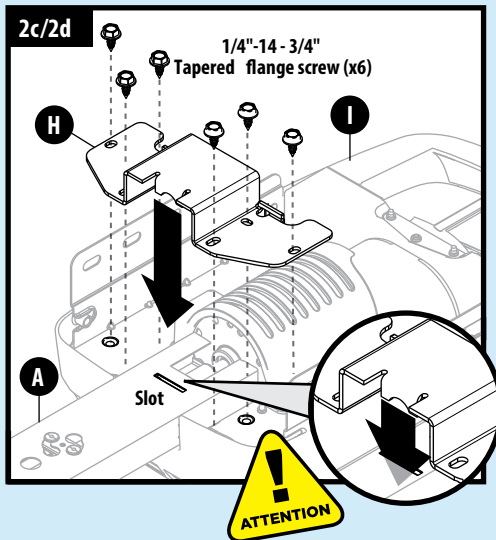
**NOTE:** The large hole fits over the screw drive and the smaller hole fits over the motor shaft.

**NOTE:** The powerhead light/lens will face away from the door.

- 2c.** Place powerhead bracket (H) on top of rail with tongue of bracket (inset) inserted into slot on the rail and plastic bearing block.

- 2d.** Align powerhead bracket (H) holes with holes on powerhead (I) and secure with 1/4"-14 - 5/8" tapered flange screws. DO NOT over-tighten the screws.

**NOTE:** The tongue of the powerhead bracket must fit through the rail slot and into the plastic bearing block.



**NOTE:** To prevent damage to motion sensor (not on all models) **DO NOT** remove foam cushion from underside of powerhead.

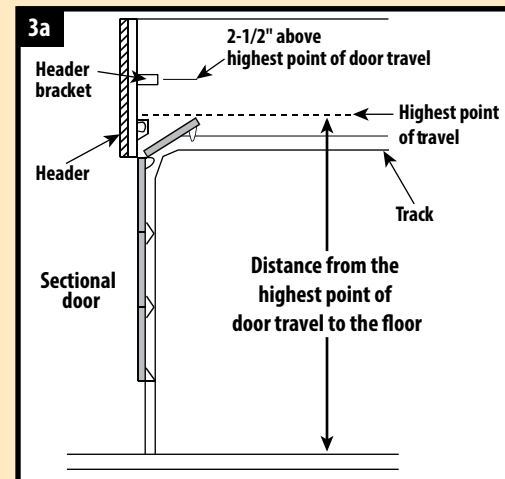
# 3

## MOUNTING RAIL BRACKET ON HEADER (ORANGE BAG)

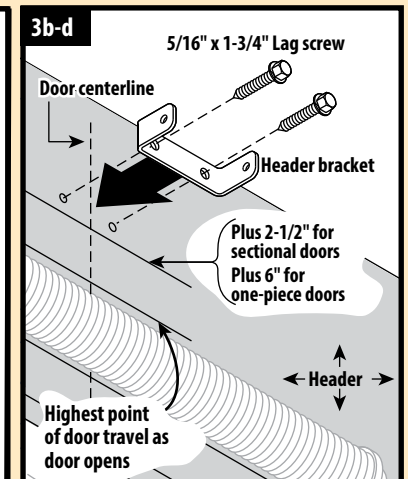


- 3a.** Determine "highest point of door travel":
1. Get on a ladder to the side of your garage door.
  2. Have someone lift the door open slowly.
  3. As the door is raised, find the highest point where the door extends above the door tracks—that is the highest point of door travel. For sectional doors this is typically where the top door roller exits the curved portion of the track onto the horizontal section as the door is raised.
  4. With a tape measure, determine the distance from the highest point of door travel to the floor.
- 3b.** Place a mark on the header at the highest point of door travel, preferably at the center of the door (measured side to side).
- 3c.** Position the header bracket above the highest point of travel:
- 2-1/2" above for sectional (hinged) doors.
  - 6" above for one-piece (non-hinged) doors.
- 3d.** Drill 5/32" pilot holes in header and secure bracket with 5/16" x 1-3/4" lag screws.

### Highest Point of Door Travel



### Typical Installation



## ⚠ WARNING

Door springs are under high tension. If spring or shaft is in the way, measure above spring or shaft on the garage door centerline and mark as location for header bracket. **DO NOT ATTEMPT TO MOVE, ADJUST, OR REMOVE DOOR SPRING!**

## ⚠ CAUTION

Header Bracket must be fastened to garage framing. **DO NOT** fasten to drywall, particle board, plaster, or other such materials.

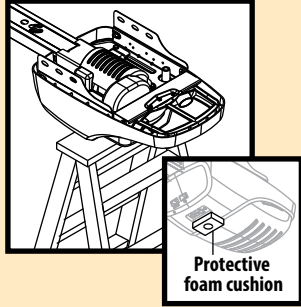


# 4

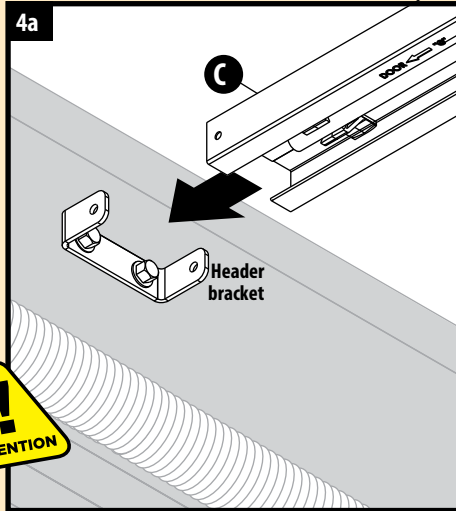
## ATTACHING RAIL TO BRACKET (ORANGE BAG)



4a. Elevate powerhead assembly and position door end rail section (C) inside bracket.

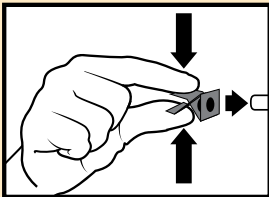


Protective foam cushion

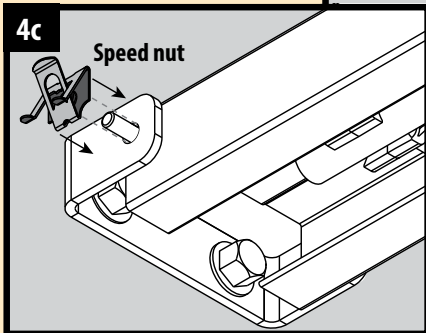
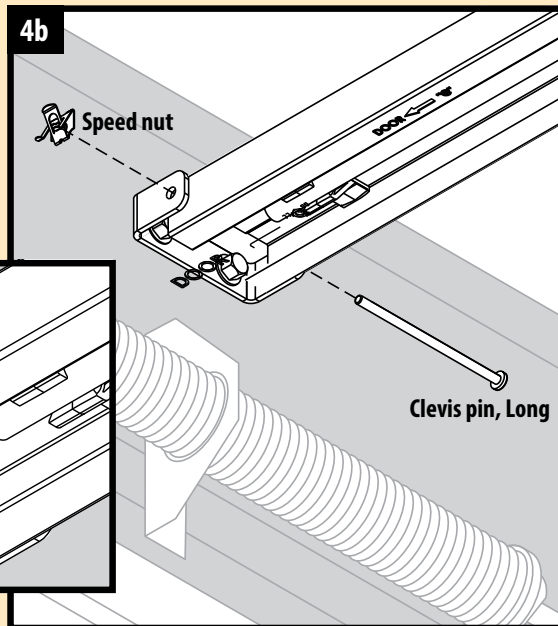


NOTE: Support powerhead and have a second person assist during this step.

- 4b. Align holes in rail with holes in bracket.
- 4c. Slide clevis pin through holes in rail and bracket and secure with speed nut by pressing the speed nut ends together.

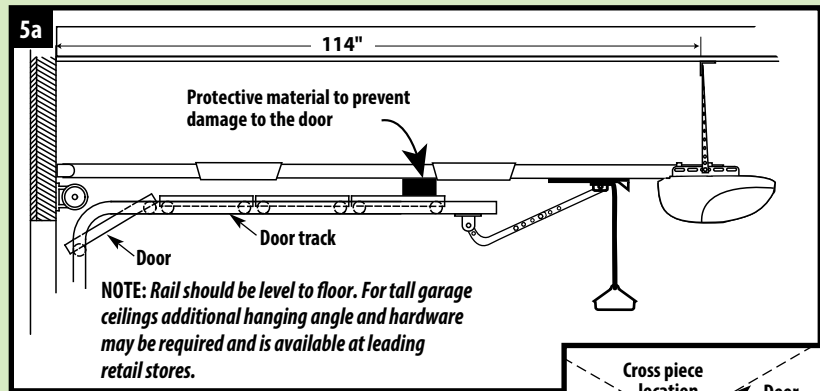


Squeeze ends of speed nut to install on pin.

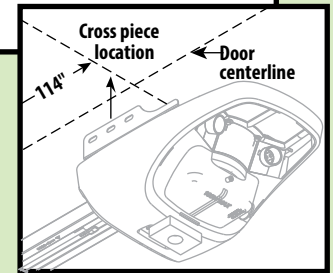


# 5

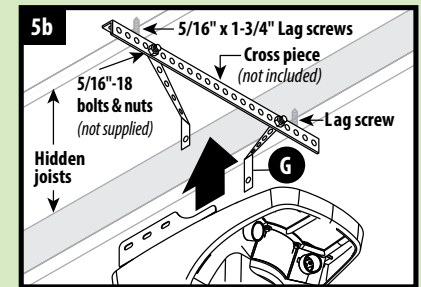
## MOUNTING POWERHEAD TO CEILING (GREEN BAG)



5a. If possible, lift and support powerhead while a second person fully opens the door. Insert a 2" x 4" board, cardboard or towel between door and rail, to protect door. Position powerhead over the centerline of door and allow it to rest on board. Otherwise, measure and mark ceiling 114" back from the header, aligned with the centerline of the door.



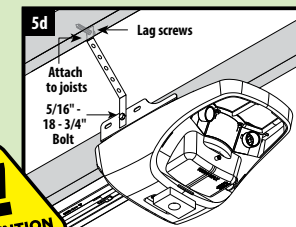
5b. Angle the mounting straps (G) and attach to joists with two 5/16" x 1-3/4" lag screws provided in the green bag. For finished ceilings, attach a cross-piece (not supplied) to joists using lag screws and secure mounting straps to the cross-piece with 5/16"-18 bolts and nuts (not supplied).



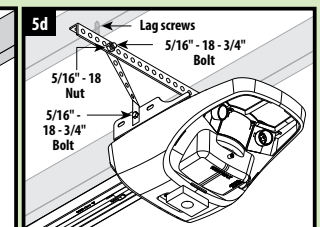
5c. Raise powerhead unit so that there is sufficient clearance between door and rail. Cut or bend mounting straps as needed to align with the powerhead and level rail.

5d. Secure powerhead to mounting straps using 5/16"-18 - 3/4" bolts and nuts provided in green bag. Ensure powerhead is centered with the door and remove the 2"x 4" board and/or other protective material.

### Open Beam Ceiling



### Finished Ceiling



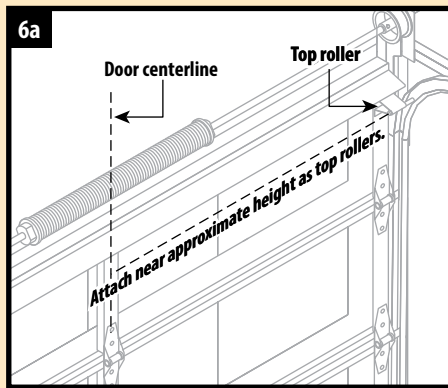
# 6

## ATTACHING DOOR BRACKET TO DOOR (ORANGE BAG)



### Sectional Door (Typical):

- 6a. Center bracket on door. Attach near approximate height as top rollers.
- 6b. Using bracket, mark holes on door or frame.
- 6c. Drill 1/8" pilot holes partially through the door.
- 6d. Secure with 1/4" - 20 - 3/4" self-drilling screws.
- 6e. Some garage door manufacturers provide door brackets that CAN be used with your Genie Door Arms.

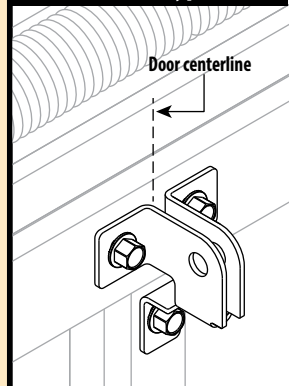


### Sectional Door (Wooden):

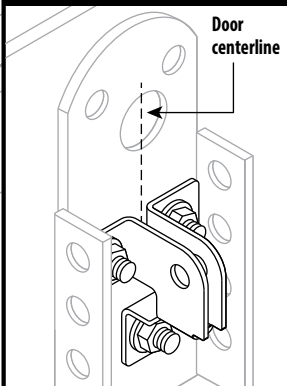
- 6a. Center bracket on door. Attach near approximate height as top rollers.
- 6b. Using bracket, mark holes on door or frame.
- 6c. Drill 9/32" holes completely through the door.
- 6d. Fasten bracket with 1/4" x 2" carriage bolts and nuts (not provided)

**NOTE:** One-Piece Door (Top Edge/Face Mount) instructions are in the Operation and Maintenance Manual provided.

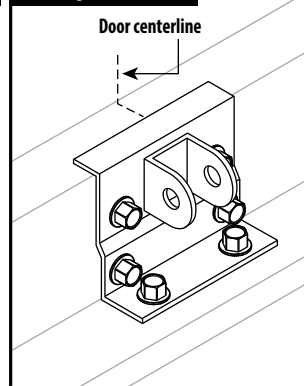
6d Sectional (Typical)



6d Sectional (Wooden)



6e Top of door



## CAUTION

Doors made of masonite, lightweight wood, fiberglass, and sheet metal must be properly braced before mounting door operator. Contact door manufacturer or distributor for any questions or concerns. The Genie® Company is not responsible for any damage caused due to an improperly braced door.

# 7

## ATTACHING DOOR ARM TO DOOR BRACKET & SHUTTLE (BLUE BAG)



7a. Secure emergency release cord (L) to shuttle (J) in rail. Secure release handle (in orange bag) to opposite end of cord (L).

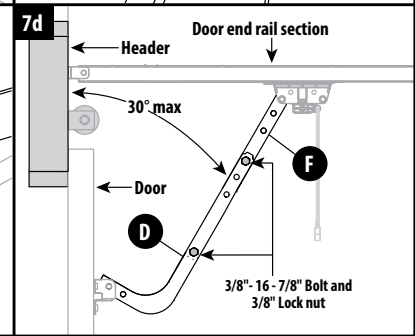
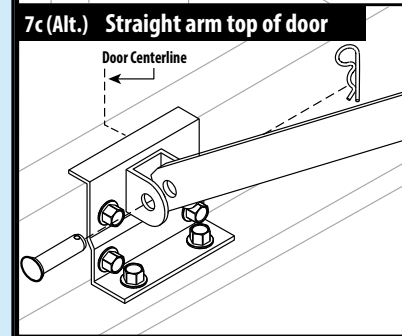
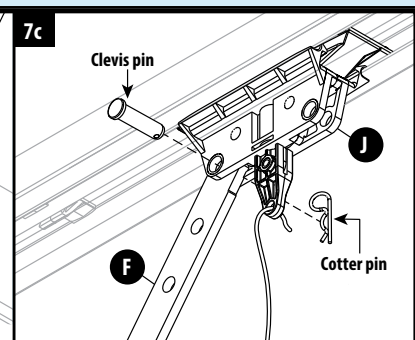
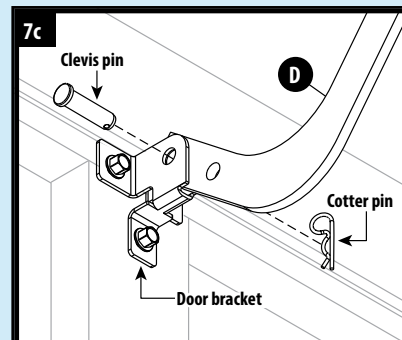
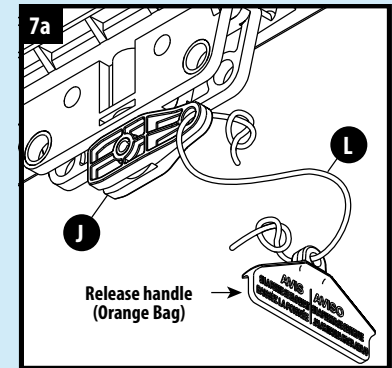
7b. Using the emergency release cord, disengage the shuttle and move it toward the door, about 16" from the header.

7c. **Sectional Doors** typically accept curved door arm (D). Connect the straight arm to the shuttle using clevis and cotter pins. In some cases, just the straight door arm (F) may be used if the door bracket is mounted on the top edge of the door.

7d. With the door closed, attach the curved and straight door arms together using 3/8" bolts and nuts. Space the fasteners as far apart as possible.

**NOTE:** Overall length of both arms should be minimized, but not so short that the straight arm is vertical or exceeds 30° from the header.

**NOTE:** One-Piece Door (Top edge/Face mounted) instructions are in the Operation and Maintenance Manual provided.



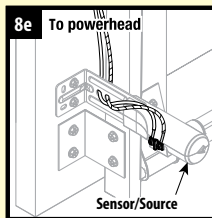
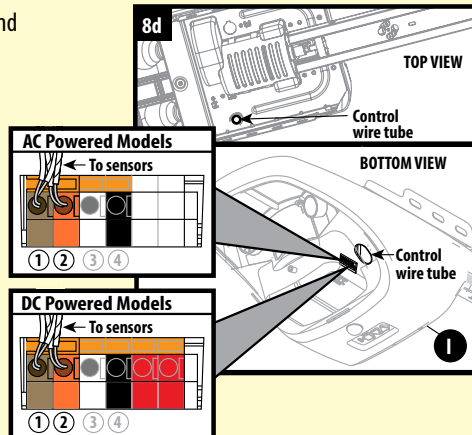
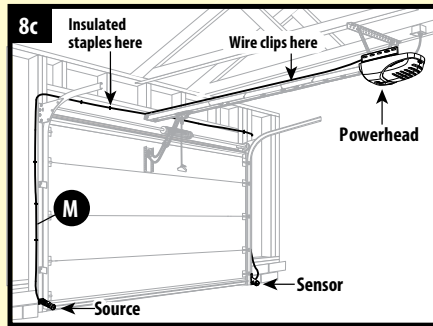
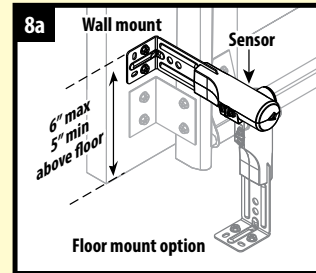
# 8

## INSTALLING SAFE-T-BEAM® (YELLOW BAG)



### • READ ALL STEPS BEFORE PROCEEDING

- 8a. Position Safe-T-Beam® (STB) source and sensor on each side of garage door 5"-6" above floor. Face the lenses toward each other, as shown.
- 8b. Mark bracket mounting holes; drill 3/32" pilot holes and secure with (4) 1/4" x 1-1/4" lag screws (provided) into wood. If mounting into concrete or block, other fasteners are required and are available at leading retail stores.
- 8c. Use garage pre-wiring if available. Otherwise, route 2 lengths of wire (M) from powerhead, along the rail, across the header and down both sides of the door, to each sensor. Secure the wire to the rail using the wire clips in the orange bag, evenly spaced along the rail. Then use the insulated staples in the green bag to secure each wire to the wall.
- 8d. **On the powerhead, insert both wires down through the control wire tube.** Remove 1/4" insulation from both sets of white and striped wire. Twist two white wires together. **Using a small flat head screwdriver, press in the orange tab at terminal 1 and insert the wires.** Twist the two striped wires together and insert into terminal 2. Ensure the wires are in their terminal, adjust as necessary.
- 8e. At each sensor, remove 1/4" insulation from the white and striped wires and secure in each terminal. Ensure the wires are secure at each terminal; adjust as necessary.



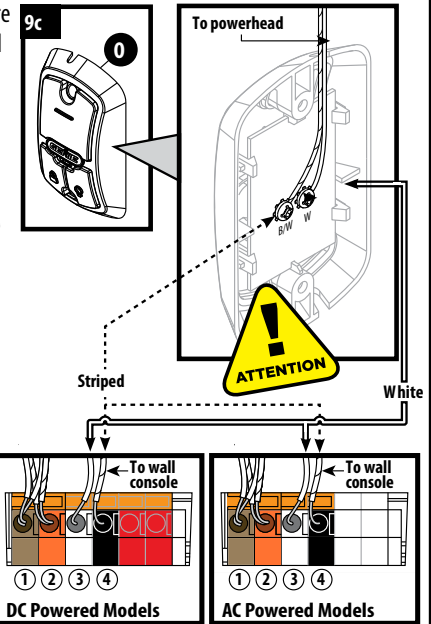
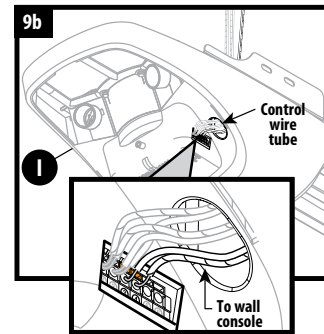
### ⚠ CAUTION

When using insulated staples, make only snug enough to hold electrical wire in place. Staples too tight can cause damage to wire and cause Safe-T-Beam® System to malfunction.

# 9

## INSTALLING WALL CONSOLE

- 9a. Use garage pre-wiring if available. Otherwise, route wire (M) from powerhead to the desired location for the wall control. Secure wire with insulated staples (green bag).
- 9b. **On the powerhead: insert wire down through the control wire tube.** Remove 1/4" insulation from white and striped wire. **Using a small flat head screwdriver, press in the orange tab and insert the white wire in terminal 3 and the striped wire in terminal 4.** Ensure the wires are secure in each terminal, adjust as necessary.



- 9c. **At the wall console end of the wire, remove 1/4" insulation from the white and striped wires and secure the white wire to the "W" terminal and the striped wire to the "B/W" terminal as shown.** Ensure the wires are secure at each terminal, adjust as necessary.
- 9d. Mark the wall console mounting holes, drill 3/32" pilot holes and mount with #6 x 1-1/4" screws (provided). If mounting to drywall, anchors will be required (*not provided*).
- 9e. Post the "ENTRAPMENT WARNING LABEL" (Included in the Operation and Maintenance Manual) next to the wall console.

### ⚠ WARNING



Child can be pinched under automatic garage door. Death or serious injury can result.

- Never let child walk or run under moving door.
- Never let child use door opener controls.
- Always keep moving door in sight.
- If person is pinched, push control button or use emergency release.
- Test door opener monthly:
  - Place a 1" object (e.g. 1" flat bar) on floor.
  - If door fully reverses on contact, adjust opener.
  - If opener still fails to reverse door, repair or replace opener.

Do not remove or tamper with this label. Mount and control set with 1/2" mesh netting to prevent injury.

**NOTE:** If pre-wiring is used, ensure that after power is applied to the powerhead (in Step 11), the wall console and Safe-T-Beam® LEDs come on. This confirms the wiring is correct. If not, you may need to individually wire each Safe-T-Beam® and wall console at the powerhead.

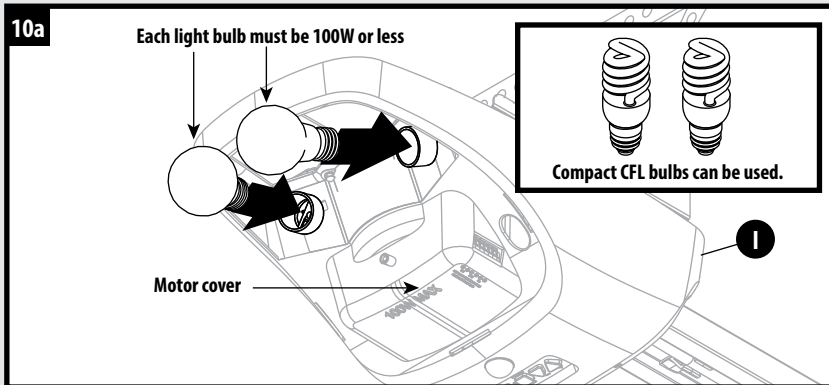
### ⚠ WARNING

Use of any other wall control can cause unexpected operation of the door and loss of lighting feature. Locate wall console within sight of door and far enough from door to prevent contacting it while operating the console. Control must be at least 5 feet above floor to prevent small children from operating it.

## 10 LIGHT ASSEMBLY

10a. Install light bulbs into powerhead (I).

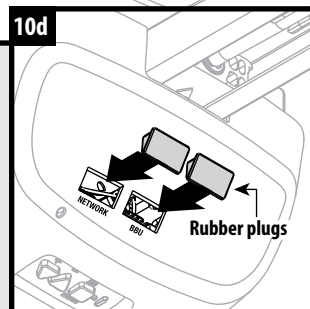
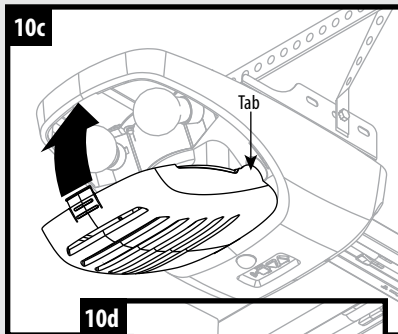
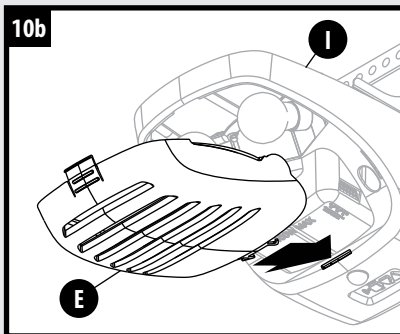
**NOTE:** DO NOT exceed maximum wattage. Each light bulb should be no more than 100W (Model 2562 requires light bulbs of no more than 60 watts.)



10b. Insert powerhead lens hinge (E) into slots in motor cover on powerhead (I).

10c. Swing lens (E) up into place. It may be necessary to squeeze lens slightly to align tabs with slots at top of motor cover.

10d. Insert rubber plugs (in orange bag) into powerhead accessory holes if present.



**NOTE:** Remove and discard foam cushion at this time.

## 11 CONNECTING POWER

**For Grounded Outlet connection:**

11a. Plug in the power cord. Coil excess cord and tape or twist tie it to top of powerhead. (**DO NOT PLACE ABOVE LIGHT BULBS.**)

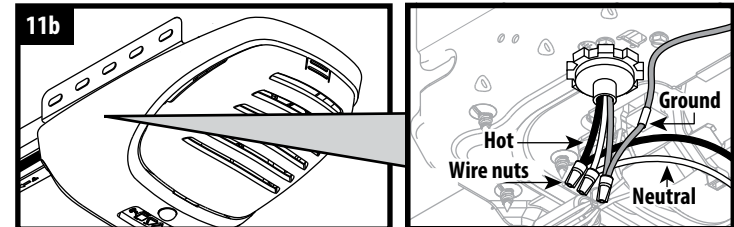
### ⚠ WARNING

Operator is equipped with grounded electrical plug for your protection, and **only fits grounded electrical outlets. DO NOT** alter plug in any way! **If you have no grounded outlets, have one installed by a licensed electrician.** Operator must be properly grounded to prevent personal injury and equipment damage. **NEVER USE AN EXTENSION CORD!** Check local building codes for any requirement that you must have a permanent hard-wired connection. **NEVER REMOVE MOTOR COVER. All work inside cover must be performed by a licensed electrician using proper tools and instructions.**

**For Permanent Wiring by an Electrician:**

11a. Cut existing wires **OUTSIDE CHASSIS.**

11b. The wire connections must be made **INSIDE CHASSIS** and there must be at least 6" of new power supply line wire **INSIDE CHASSIS.** (Conduit is optional. Conduit, strain relief, and wire nuts are not provided.)



**NOTE:** After power is supplied to the powerhead: (1) Check if the red and green Safe-T-Beam® LEDs are lit. If not, return to step 8 and check wiring. (2) See if wall console red LED is lit. If not, check if a blue LED on powerhead is blinking. If yes, press the "LOCK" button on the wall console. (Wall console LED should now be lit.) Otherwise, return to step 9 and check wiring.

## 12 YOU ARE NOW READY TO PROGRAM!

Refer to PAGES 7-8 of the Operation and Maintenance Manual for programming instructions.

### ⚠ CAUTION

**DO NOT** run operator until travel limits have been set to avoid damage to unit.