

NV51R5511S

30" Single Wall Oven

SAMSUNG



Signature Features

5.1 cu. ft. Capacity

- Accommodates a roast, multiple casserole dishes, or two full racks of cookies.

Digital Touch Controls

- Touch Controls offer an integrated and premium design that is easy to clean.

Blue Ceramic Interior

- Blue Ceramic enamel interior offers a premium look and feel.

Available Colors



Stainless Steel (shown)



Fingerprint Resistant
Black Stainless Steel



Digital Touch Controls



Blue Ceramic Interior

Features

- 5.1 cu. ft. Capacity
- Glass Touch Controls
- Steam Clean & Self-Clean
- Halogen Lights
- Easy View Window
- 2 Heavy-Duty Racks
- Broil Element
- 6 Rack Positions
- Drop-Down Door Design
- ADA Compliant

Convenience

- Sabbath Mode
- Hidden Heating Element
- Delay Start
- Child Safety Lock
- Proofing
- Warming Mode
- Kitchen Timer



ADA Compliant

NV51R5511S

SAMSUNG

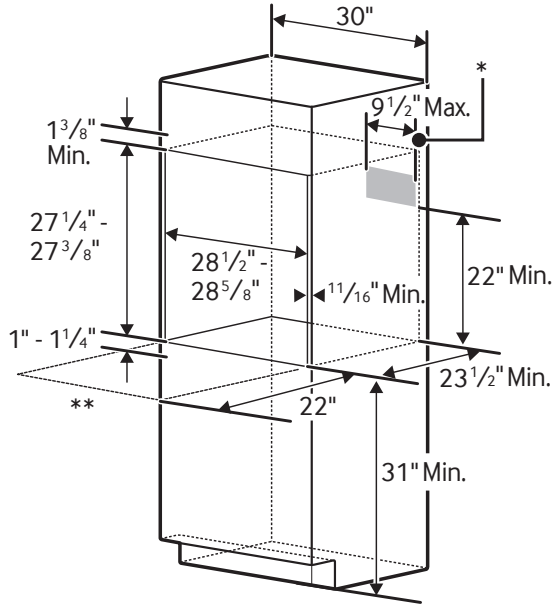
30" Single Wall Oven

Cabinet Dimensions

Single Oven Installed in Cabinet

* Junction Box

** Allow a minimum of 22" for clearance to adjacent corners, drawers, walls, etc. when door is open.



Total Capacity: 5.1 cu. ft.

- Hidden Bake Element
- Bake: 175°F–550°F
- Broil: Low-High
- Proofing
- Sabbath Mode

Warranty

One (1) Year All Parts and Labor

Product Dimensions & Weight (WxHxD)

Outside (Max) Wall Oven Dimensions: 29³/₄" x 28¹³/₁₆" x 26⁵/₈"

Wall Oven Cut-Out Dimensions: 28¹/₂" x 27¹/₄" x 23¹/₂"

Weight: 129.6 lbs

Shipping Dimensions & Weight (WxHxD)

Dimensions: 33¹¹/₁₆" x 33³/₄" x 29¹³/₁₆"

Weight: 151.9 lbs

Color

Stainless Steel

Model

NV51R5511SS/AA

UPC Code

887276326900

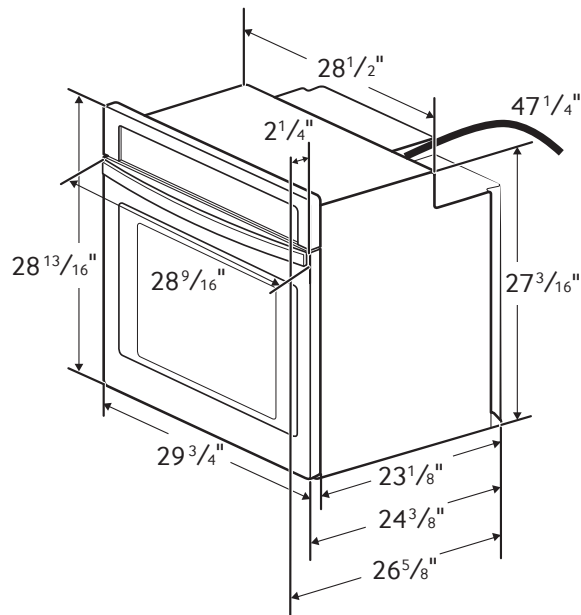
Fingerprint Resistant

Black Stainless Steel

NV51R5511SG/AA

887276326894

Product Dimensions



KW RATING	
240V	4.5 kW
208V	3.4 kW
BREAKER SIZE	
240V	20 Amps
208V	20 Amps

Actual color may vary. Design, specifications, and color availability are subject to change without notice. Non-metric weights and measurements are approximate.

©2019 Samsung Electronics America, Inc. 85 Challenger Road, Ridgefield Park, NJ 07660. Tel: 800-SAMSUNG. samsung.com. Samsung is a registered trademark of Samsung Electronics Co. Ltd.