

Mail Drops - Receptacle – 2256

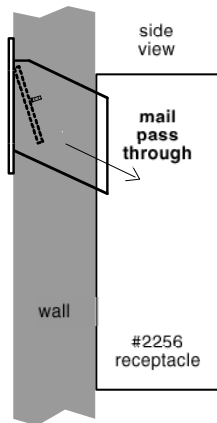
Installation Instructions

Thank you for selecting Salsbury's Mail Receptacle 2256. With its rugged all aluminum construction, Salsbury 2256 Receptacle will provide years of maintenance free service.

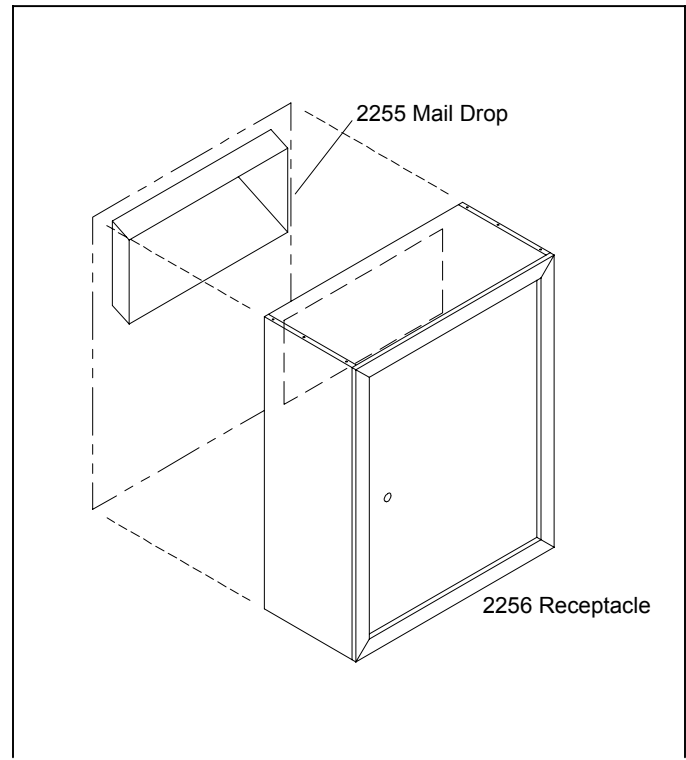
Installation

Units are surface mounted and mount directly to a flat surface and are secured with mounting hardware through the back panel.

1. Mail receptacles (2256) are designed to align with a mail drop (2255) through the rear opening.
2. Mounting access is provided by opening door. Use appropriate anchors and screws. Due to variation in wall types, mounting hardware is not provided.



Model 2256 Receptacle



Note: Mail drops (#2255) are sold separately.

Receptacle Overall Dimensions

15"W x 19"H x 7-1/2" D

Rear Opening Dimensions

12"W x 6"H

SALSBURY INDUSTRIES

1010 East 62nd Street, Los Angeles, CA 90001-1598
Phone: 1-800-624-5269 Int'l Phone: 323-846-6700
Fax: 1-800-624-5299 Int'l Fax: 323-846-6800