

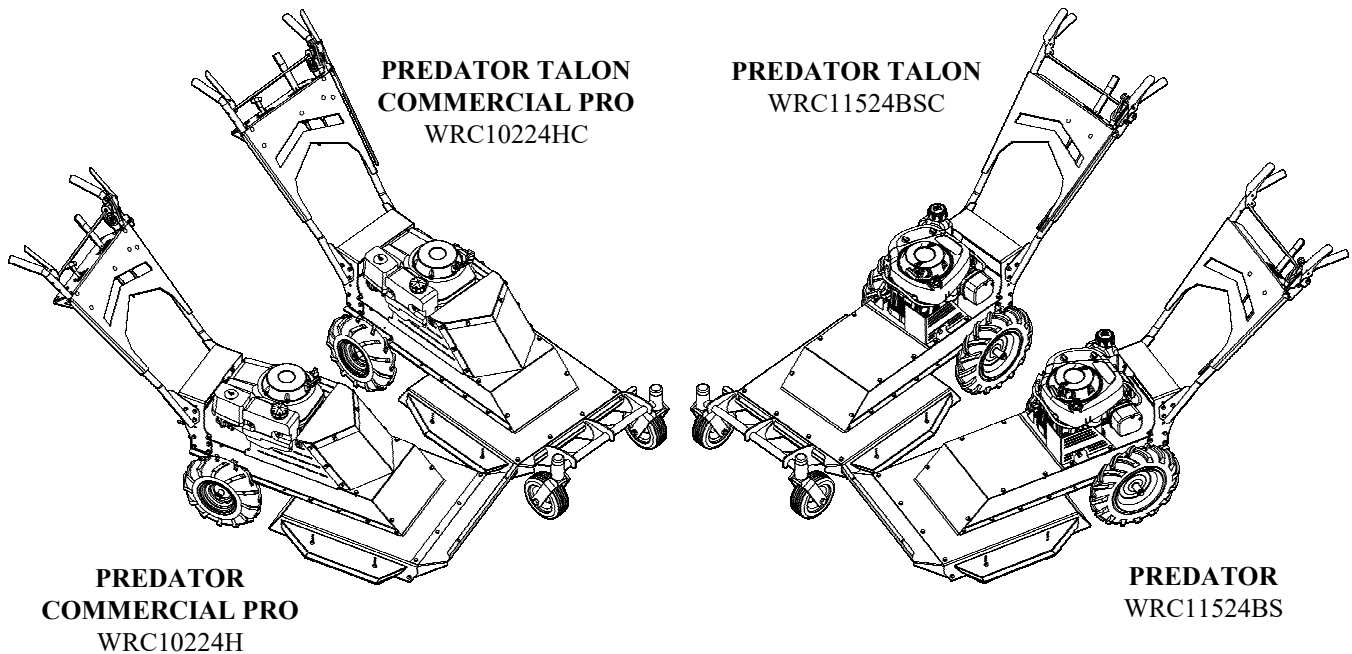
# OWNER'S MANUAL

swisherinc.com

FOR MODELS – WRC10224HC, WRC10224H, WRC11524BSC, WRC11524BS

STARTING SERIAL #:  
L118-335001

## 24" WALK BEHIND Rough Cut Trail Cutter RECOIL AND ELECTRIC START MODELS



**IMPORTANT**

Read and follow all Safety Precautions and Instructions before  
operating this equipment.

**Operation  
Service and Adjustment  
Repair Parts**

# SWISHER®

SWISHER ACQUISITION INC.  
1602 CORPORATE DRIVE, WARRENSBURG MISSOURI 64093  
PHONE (660) 747-8183 FAX (660) 747-8650

Made In The  
**USA**  
of US and Global Parts

# LIMITED WARRANTY

The manufacturer's warranty to the original consumer purchaser is: This product is free from defects in materials and workmanship for a period of (1) year from the date of purchase by the original consumer purchaser. We will repair or replace, at our discretion, parts found to be defective due to materials or workmanship. This warranty is subject to the following limitations and exclusions:

## 1) Engine Warranty

- All engines utilized on our products have a separate residential or commercial warranty extended to them by the individual engine manufacturer. Any engine service is the responsibility of the engine manufacturer and in no way is Swisher or its agents responsible for the engine warranty. Please visit [engines.honda.com](http://engines.honda.com) and click on find a dealer or find a distributor. The Briggs & Stratton Engine Service Hot Line is 1-800-233-3723.

## 2) Limitation

- This warranty applies only to products which have been properly assembled, adjusted, and operated in accordance with the instructions contained within this manual. This warranty does not apply to any product of Swisher that has been subject to alteration, misuse, abuse, improper assembly or installation, shipping damage, or to normal wear of product.

## 3) Commercial Use

- Only Commercial Pro branded Walk Behind Rough Cut Trail Cutters are warranted for commercial use for a period of (1) year from the date of purchase. Non Commercial Pro Products are not intended for commercial use and carry no commercial use warranty.

## 4) Exclusions

- Excluded from this warranty are normal wear, normal adjustments, and normal maintenance.

In the event you have a claim under this warranty, you must return the product to an authorized service dealer. All transportation charges, damage, or loss incurred during transportation of parts submitted for replacement or repair under this warranty shall be borne by the purchaser. Should you have any questions concerning this warranty, please contact us toll-free at 1-800-222-8183. The model number, serial number, date of purchase, and the name of the authorized Swisher dealer from whom you purchased the mower will be needed before any warranty claim can be processed.

**THIS WARRANTY DOES NOT APPLY TO ANY INCIDENTAL OR CONSEQUENTIAL DAMAGES AND ANY IMPLIED WARRANTIES ARE LIMITED TO THE SAME TIME PERIODS STATED HEREIN FOR ALL EXPRESSED WARRANTIES.** Some states do not allow the limitation of consequential damages or limitations on how long an implied warranty may last, so the above limitations or exclusions may not apply to you. This warranty gives you specific legal rights and you may have other rights, which vary from state-to-state. This is a limited warranty as defined by the Magnuson-Moss Act of 1975.

## TABLE OF CONTENTS

WARRANTY.....	2	OPERATION.....	6-8
INTRODUCTION.....	3	DECALS.....	9
SAFETY.....	3-4	PARTS BREAKDOWN.....	10-16
PRE-OPERATING.....	4	ELECTRICAL & BELT ROUTING..	17, 18

Thank you for choosing Swisher's 24" Walk Behind Rough Cut. Before operating your Walk Behind, please read, understand and follow all of the safety precautions and other instructions explained in this manual. As with all power equipment, lawn mowers can be potentially dangerous if not properly used.

## SAFETY PRECAUTIONS



This Safety Alert Symbol indicates important messages in this manual. When you see this symbol, carefully read the message that follows and be alert to the possibility of personal injury.

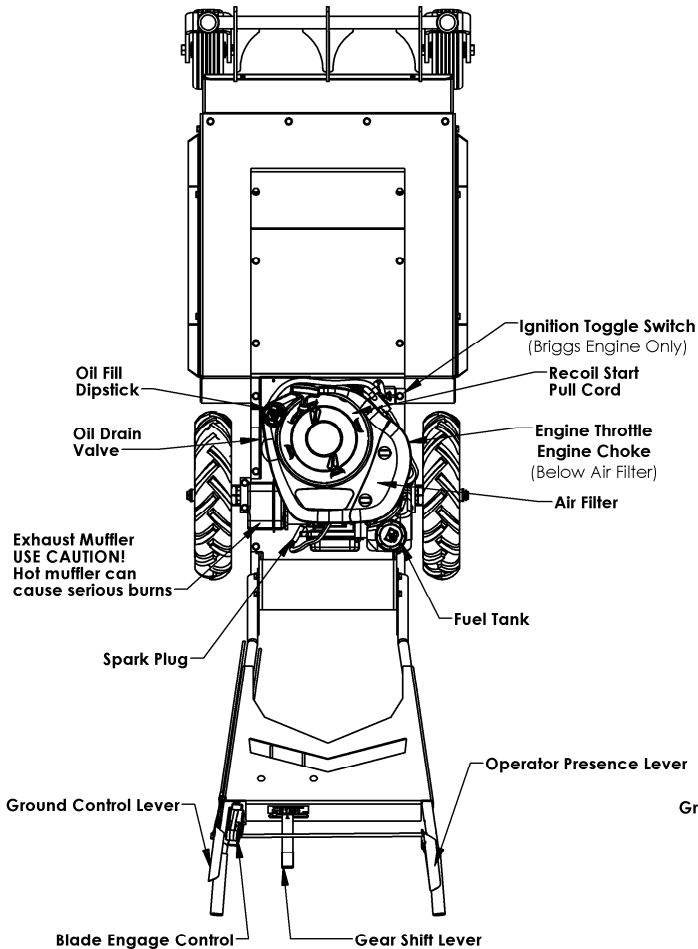
**Read this manual completely. This machine can amputate hands and feet, and throw objects. Failure to observe the following safety instructions could result in serious injury or death.**

- Read the manual. Learn to operate this machine safely.
- Always disconnect the spark plug wire and place the wire where it cannot contact the spark plug to prevent accidental starting the engine when setting up, transporting, adjusting or making repairs.
- Keep all shields and guards in place.
- Understand the speed, steering and stability of this machine. Know the positions and operations of all controls before you operate this machine. Check all of the controls in a safe area before starting to work with this machine.
- Allow only responsible adults who are familiar with these instructions to operate this machine. **Never allow children to operate this machine.**
- Clear the area of objects such as rocks, toys, wire, etc. that can be picked up and thrown by the blade.
- Be sure the area is clear of other people before mowing. Be aware of the mower discharge direction and do not point at anyone. **Stop the machine** if anyone enters the mowing area. Children are often attracted to the machine and the mowing activity. ***Never assume that children will remain where you last saw them.*** Keep children under the watchful care of another responsible adult.
- **No riders!**
- Do not put hands or feet near or under rotating parts.
- Do not mow in reverse. **Always look down and behind before and during backing.**
- Turn off the blade when not mowing. Before leaving the machine, turn off the blade and stop the engine.
- Watch for traffic when operating near or crossing roadways.
- Do not operate the mower if it has been dropped or damaged in any manner or if the mower vibrates excessively. Excessive vibration is an indication of damage. Repair mower as necessary.
- Dress properly. Do not operate the mower when barefoot or wearing open sandals. Wear only solid shoes with good traction when mowing.
- Never allow operation by untrained persons.
- Do not operate the machine while under the influence of alcohol or drugs.
- Do not operate on slopes greater than 15 degrees.
- Stop and inspect the equipment if you strike an object. Repair, if necessary, before restarting. Never make adjustments or repairs with the engine running.
- Mower blades are sharp and can cut. Wrap the blades or wear gloves, and use extra caution when servicing them.

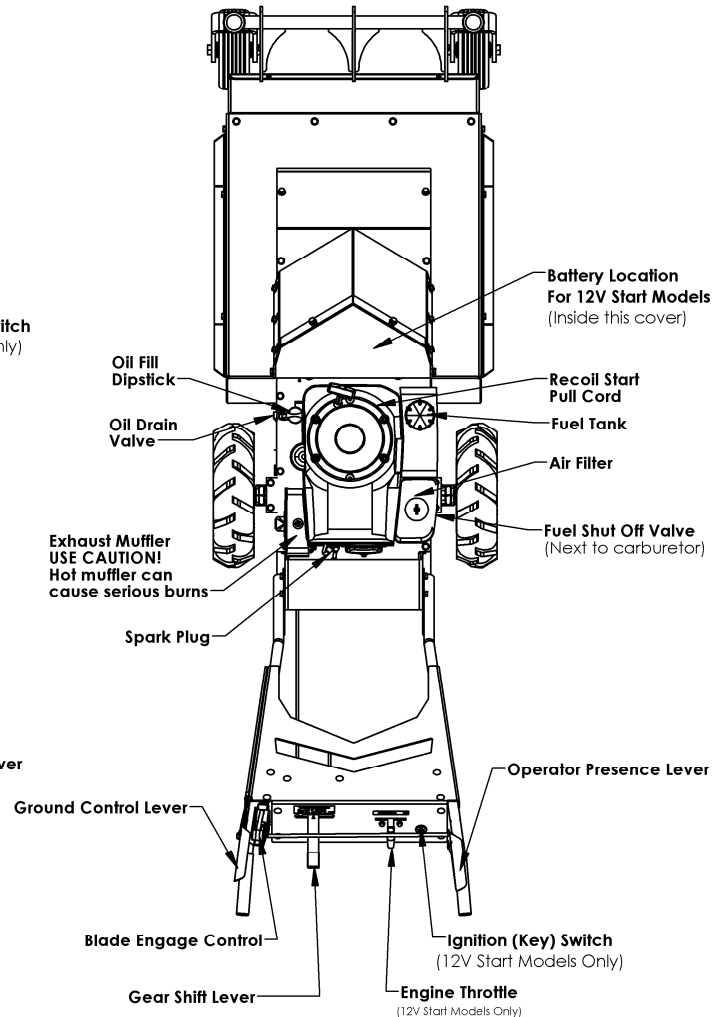


**Become familiar with the controls and their locations before operating.**  
**Use the figures below to find the general locations for controls and features discussed later in this manual**

Briggs & Stratton Models



Honda Models



## PRE-OPERATING INSTRUCTIONS

- Disengage spark plug wire and place where it cannot make a connection.
- Check the engine oil. All engines are filled with oil at the factory. Verify oil level and add if necessary before starting engine (See Engine Owner's Manual).
- Verify fuel level and add if necessary before starting engine.
- Reconnect spark plug wire.
- Refer to pages 6-8 in this manual for proper operating procedures.

**IMPORTANT:** These engine may not be equipped with a spark arrester muffler. It is a violation of California Public Resource Code Section 4442 to use or operate the engine on any forest-covered, brush-covered, or grass-covered land. Other states or federal areas may have similar laws.



# BATTERY CONNECTIONS FOR ELECTRIC STARTER (applicable models)

A battery is not shipped from the factory with these units. Batteries are classified by their physical size, and individual size categories are given a "group number" by the Battery Council International. This Walk Behind Trail Cutter was designed to use a U1 battery group size or smaller.

Use a 12-volt battery with a minimum of 230 cold cranking amps (CCA)

Be careful not to connect the battery in reverse polarity, as this will short circuit the battery charging system. Always connect the positive (+) battery cable to the battery terminal before connecting the negative (-) battery cable, so your tools cannot cause a short circuit if they touch a grounded part while tightening the positive (+) battery cable end.



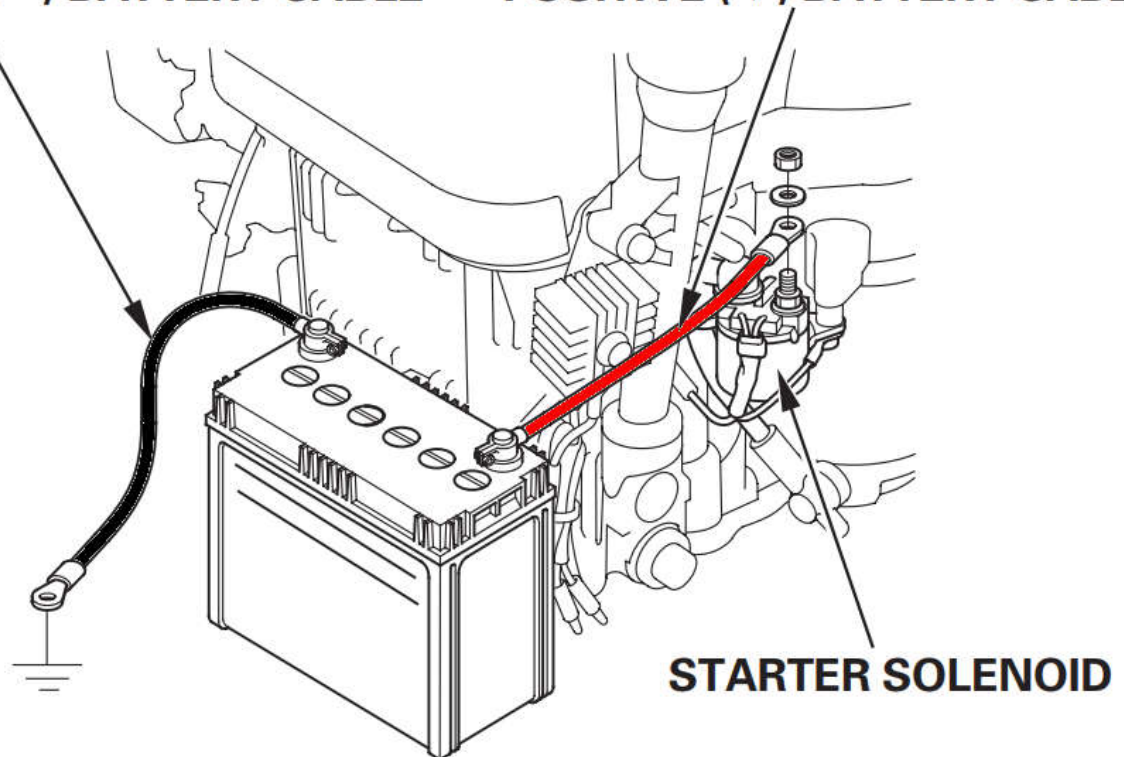
**A battery can explode if you do not follow the correct procedure, seriously injuring anyone nearby.**

**Keep all sparks, open flames, and smoking materials away from the battery.**

The battery positive (+) cable is connected to the starter solenoid terminal as shown. And the battery negative (-) cable is connected to the engine mounting bolt at the factory.

1. Connect the RED battery positive (+) cable to the battery positive (+) terminal as shown.
2. Connect the BLACK battery negative (-) cable to the battery negative (-) terminal as shown.

**NEGATIVE (-) BATTERY CABLE      POSITIVE (+) BATTERY CABLE**



# OPERATING YOUR NEW WALK BEHIND



The operation of any mower can produce foreign objects to be thrown into the eyes, resulting in severe eye damage. Always wear certified safety glasses or wide-vision safety goggles over spectacles before starting any cutting machine and while operating such a machine.



The operation of any mower produces sound waves that are damaging to the human ear. Ear protection is recommended.



## **CAUTION!**

Tragic accidents can occur if the operator is not alert to the presence of children. Children are often attracted to the machine and the mowing activity. *Never assume that children will remain where you last saw them.*

## **INTENDED USE**

This is not a lawn mower. The Predator and Predator Talon is designed for cutting overgrown brush, weeds, and other types of organic growth. This unit is capable of clearing small saplings of 1.5" in diameter or less to a height of approximately 4".

## **TRAVEL SPEED**

Speed can be changed by choosing a higher or lower gear using the gearshift lever located on the handle bars. Do not adjust the speed with the blade engaged. To shift the cutter into reverse, release the "GROUND CONTROL" lever, disengage the blade, and rotate the shift lever to the left. Press down slightly on the lever to pass the step and continue to rotate the lever to the left "R" position.

## **PROPULSION**

The Predator and Predator Talon are self-propelled and controlled by a "GROUND CONTROL" lever. To engage the drive, shift the transaxle to a gear and activate the left handle bar lever by squeezing it against the handle. Releasing the lever will disengage the self-propel.

Under most conditions cutting should be done in a low gear (1<sup>st</sup> or 2<sup>nd</sup>). Upper gears should be used for conditions where weeds and brush are thinned out or not as tall. In confined areas the machine can be pushed forwards or backwards by releasing the "GROUND CONTROL" lever, shifting the transaxle to neutral, and pushing the machine.

## **ENGAGING THE BLADE**

An "OPERATOR PRESENCE" lever and a "BLADE ENGAGE" control work together to engage the blade. Both devices must be activated before the blade will work.

Releasing the "OPERATOR PRESENCE" lever will disengage both the blade and the "BLADE ENGAGE" control.

## **STARTING THE ENGINE**

See engine manufacturer's recommendations for the type and amount of oil and fuel used. Engine must be level to accurately check and fill oil. Do not overfill.

- Make sure unit is level, blade is disengaged, and transaxle in "NEUTRAL"
- Check spark plug wire, oil level, and fuel level.
- Check all electrical connections for build-up of debris.
- If equipped with a fuel shutoff valve, turn the valve to the ON position.
- Move throttle control to "FAST", or "CHOKER" if choke is needed.
- Honda Engines
  - For recoil starting, turn ignition key to the "ON" position and pull rope with a single fluid motion. For electric starting, turn the key to the "START" position.
- Briggs and Stratton Engines
  - Flip the engine control switch to the "ON" position.
  - Pull the starter cord slowly until resistance is felt and then pull rapidly to avoid kickback, repeat until the engine has started.
  - If "CHOKER" was used, return the lever to the "RUN" position.
- Set engine throttle control to "FAST". The throttle must be set in the fast position for maximum performance.

## **STOPPING**

- Bring the Walk Behind to a complete stop by releasing the "GROUND CONTROL" lever (left handle bar lever).
- Disengage mower blade by releasing the "OPERATOR PRESENCE" lever (right handle bar lever).
- Reduce engine idle speed, and allow engine to run momentarily for cooling.
- Turn the ignition key (for 12v models) or engine control switch to the "OFF" position.

## **BREAKING IN YOUR WALK BEHIND**

- Start the engine properly.
- Slowly engage blade control lever while holding the right operator presence handle bar lever down.
- Under supervision, allow blade to rotate and engine to idle for 5 minutes.
- Disengage blade.
- Shift through each gear. While in each gear engage the "GROUND CONTROL" lever and travel 20 yards to ensure transaxle works properly.

## **BEGIN CUTTING**

- Make sure area is clear of all bystanders.
- Make sure that all guards, belt guides, and the spark plug wire are properly attached.
- Start engine, set engine throttle control at maximum engine idle speed for best results.
- Allow engine to run a few moments and slowly engage blade.
- Move transaxle into low gear and activate "GROUND CONTROL" lever.
- Turning is done by rotating the handles left or right. This machine has significant weight and may take more effort to turn than one may expect. Turning could take practice.

## **BACKING UP**

- Release the Operator Presence lever on the right handle bar to disengage the blade.
- Check behind you to make sure your path is clear.
- Move the shift lever to the reverse position “R” and depress the “GROUND CONTROL” lever on the left handle bar.

## **TRANSPORTING**

- Remove the key from ignition switch if equipped.
- Shut off the fuel at the engine.
- Secure in place with appropriate straps while the unit is being transported.
- Unit should be left in low gear to avoid any slight rolling.

## **SUGGESTED PRACTICES**

- Always operate with the engine at full throttle when cutting to assure the best cutting performance.
- If the area is wet, allow it to dry. Wet weed clumps will collect on the bottom of the deck.
- Go slow when cutting dense areas. Some dense areas may need to be gone over twice. Better results are achieved if the second cut is 90 degrees to the first cut.

## **BEFORE EACH SEASON**

A new spark plug and a clean air filter will assure proper air-fuel mixture and help your engine run better and last longer.

- Replace the spark plug.
- Clean or replace the air filter.
- Check blades and belts for wear.

## **BEFORE EACH USE**

- Check your engine oil level. Do this twice to ensure an accurate reading.
- Check the condition of air filter and clean or replace if necessary.
- Check for proper blade operation.
- Check for loose fasteners.
- Check tires for proper inflation. See tires for maximum inflation. Rear tire valve stems are located on the inside of the wheel rim.

## **DAILY MAINTENANCE**

Make sure all nuts and bolts are tight and cotter pins and retainer springs are secure. Keep your blades sharp. Observe all safety precautions.

## **BLADE CARE AND SERVICE**

For best results blades must be kept sharp. The blades can be sharpened with a few strokes of a file or grinding wheel. Do Not attempt to sharpen blades while they are on the machine.

**Important: Replace blades that have been damaged or deeply nicked.**

**Important: Check blade and spindle hardware on a regular basis to make sure nuts are tight.**



# SAFETY AND OPERATIONAL DECALS

Replace decal immediately if damaged. Order by part number from Swisher.



OD55 - DANGER



18971 - SPARK ARRESTOR WARNING



OD45 - WARNING DECAL



21446 - GEAR SELECTION



OD99125 - MEDIUM LOGO WHITE

OD99156 - SMALL LOGO WHITE



21299 - CALIFORNIA PROP 65



20076-SWISHER USA FLAG



19988 - MADE IN MISSOURI, USA



OD28- KEY SWITCH

## DECALS NOT SHOWN

19722-- Predator Talon LH Decal

19732-- Predator Talon RH Decal

OD85--Predator LH Decal

OD86--Predator RH Decal

OD87-- Rugged Cut 24 4SP Trans White Decal

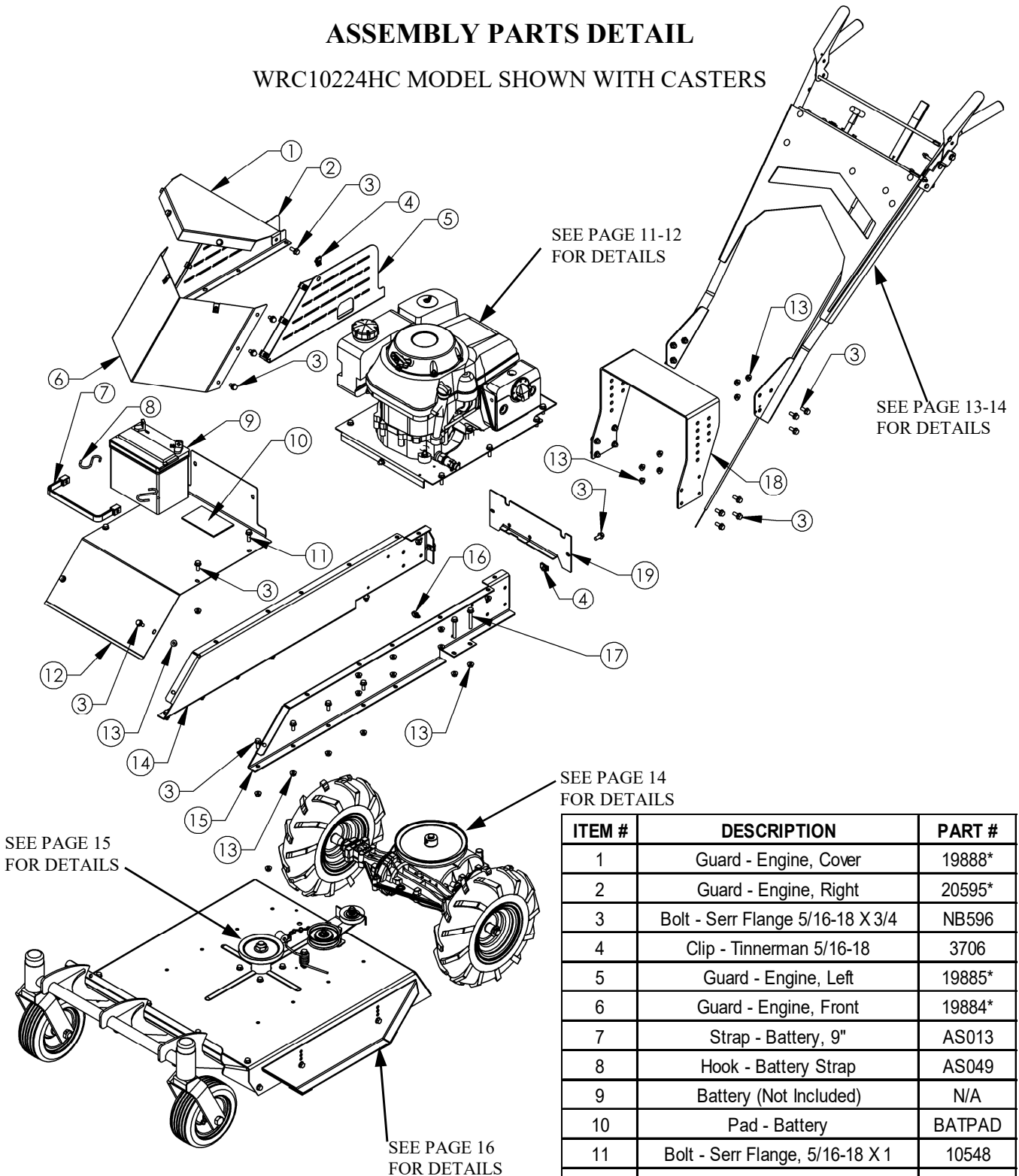
20000--Commercial Pro Decal



19898 - THROTTLE

# ASSEMBLY PARTS DETAIL

WRC10224HC MODEL SHOWN WITH CASTERS



SEE PAGE 15  
FOR DETAILS

SEE PAGE 11-12  
FOR DETAILS

SEE PAGE 13-14  
FOR DETAILS

SEE PAGE 14  
FOR DETAILS

SEE PAGE 16  
FOR DETAILS

**BATTERY NOT INCLUDED:**

REQUIRES A 12V LAWN AND GARDEN BATTERY WITH A 230 MIN CCA. U1 GROUP FOR CORRECT FIT.

When ordering replacement parts

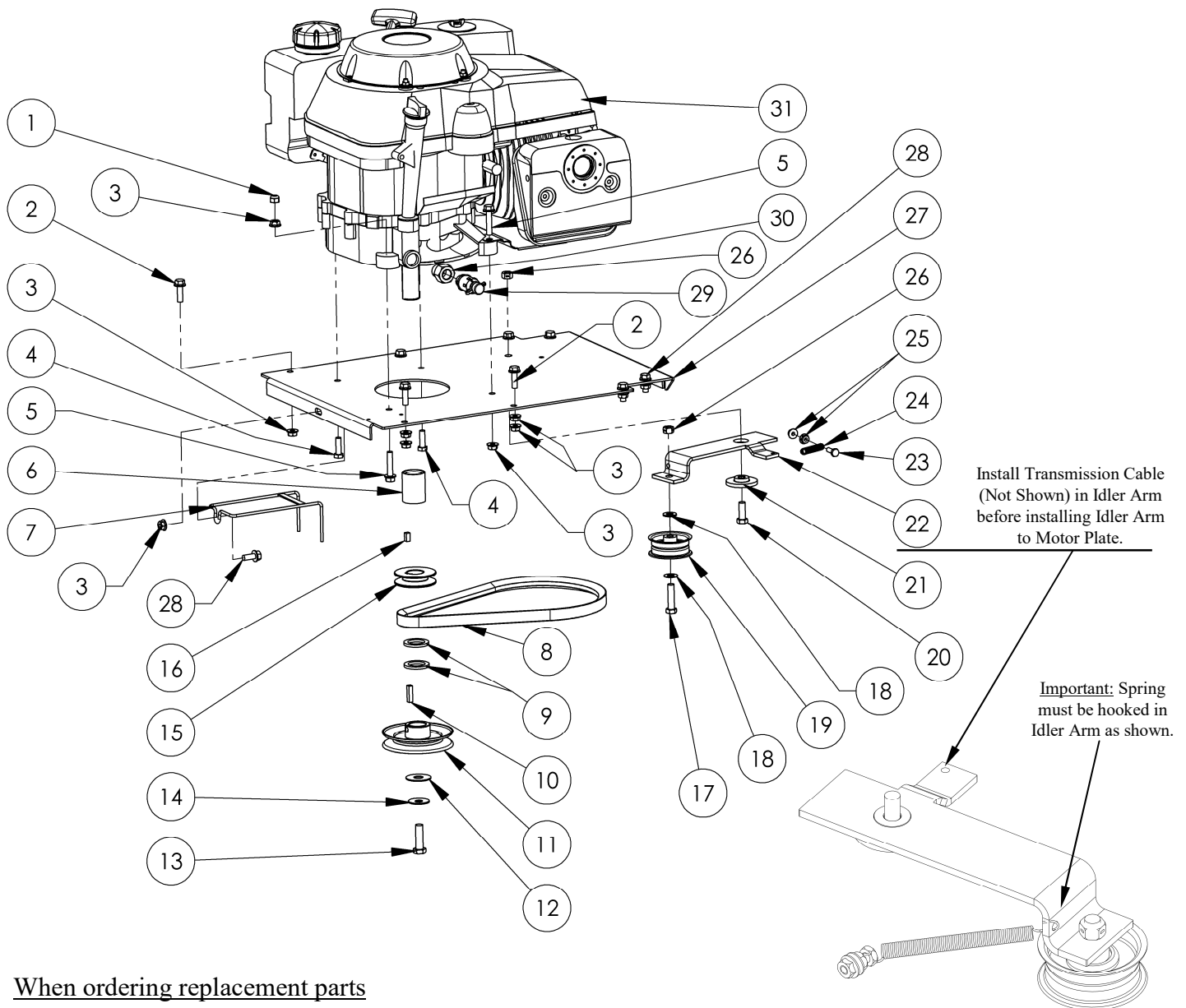
\*USE PAINT CODE: TK=BLACK

ITEM #	DESCRIPTION	PART #
1	Guard - Engine, Cover	19888*
2	Guard - Engine, Right	20595*
3	Bolt - Serr Flange 5/16-18 X 3/4	NB596
4	Clip - Tinnerman 5/16-18	3706
5	Guard - Engine, Left	19885*
6	Guard - Engine, Front	19884*
7	Strap - Battery, 9"	AS013
8	Hook - Battery Strap	AS049
9	Battery (Not Included)	N/A
10	Pad - Battery	BATPAD
11	Bolt - Serr Flange, 5/16-18 X 1	10548
12	Cover - Belt	19889*
13	Nut - Serr Flange 5/16-18	NB170
14	Channel - Side, Right	19211*
15	Channel - Side, Left	19212*
16	Clip - Nylon 1/2"	NB683
17	Bolt - Serr Flange, 5/16-18 X 2 1/4	NB622
18	Mount - Handle Height Adjust	19214*
19	Cover - Rear Frame	21439*

# ENGINE & PULLEY ASSEMBLY for models equipped with HONDA ENGINE

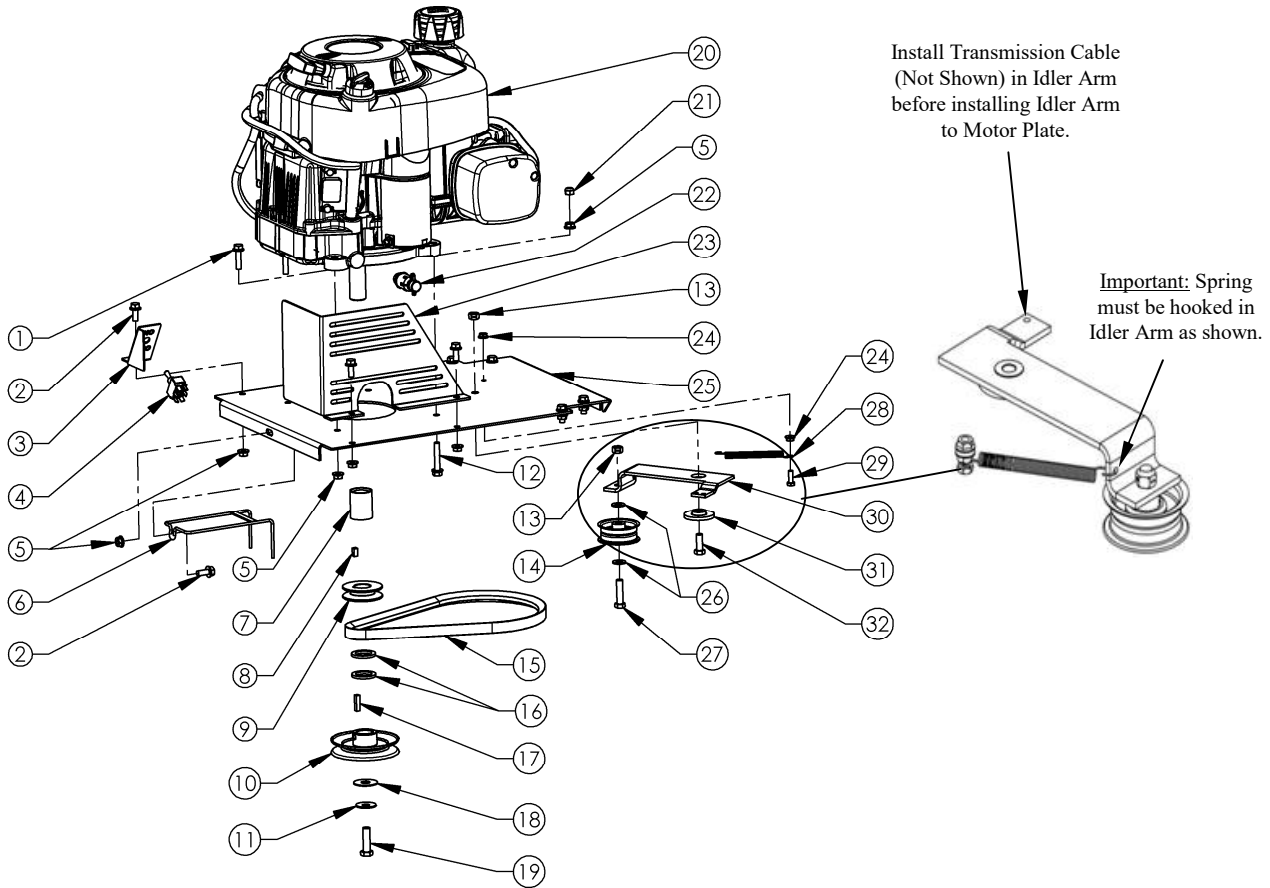
ITEM #	DESCRIPTION	PART #
1	Nut - Nyloc 5/16-18	NB181
2	Bolt - Serr Flange, 5/16-18 X 1	10548
3	Nut - Serr Flange 5/16-18	NB170
4	Bolt - 5/16-24 X 1 HCF GR5 ZY	NB451
5	Bolt - Serr Flange, 5/16-18 X 1 1/2	NB254
6	Spacer - Engine Pulley	BB105S
7	Weldment - Belt Retention	10767
8	Belt - Transmission, 35"	690
9	Washer - 1 X 1 1/2	NB614HT
10	Key Stock - 1/4 X 1	9031
11	Engine Pulley - 4.25"OD, 1 1/4 ID	BB105
12	Washer - .5311DX1 1/2OD	TR150W
13	Bolt - HCF, 7/16-20 X 1 1/2	NB637
14	Washer - Belleville 7/16 X 1 1/4	699
15	Pulley - Engine, 2.5"	2411
16	Key Stock - 1/4 X 1/2	4258

ITEM #	DESCRIPTION	PART #
17	Bolt - 3/8-16 X 1 1/2	NB107
18	Washer - SAE Flat 3/8	NB272
19	Pulley - Idler, OD-2.16", ID-3/8"	B27
20	Bolt - 3/8-16 X 1	NB604
21	Bushing - Idler	6037
22	Transmission Idler Arm	20594*
23	Bolt - 1/4-20 X 3/4	NB250
24	Spring	T2SM
25	Nut - Serr Flange, 1/4-20	NB524
26	Nut - 2 Way Lock 3/8-16	NB280
27	Plate - Motor Base	19213*
28	Bolt - Serr Flange, 5/16-18 X 3/4	NB596
29	Valve - Oil Drain	16000
30	Oil Drain Adaptor	20881
31	Engine, Honda 389cc	20694
N/A	Wire Harness (NOT SHOWN)	20988
N/A	Cable - Transmission (NOT SHOWN)	20597



When ordering replacement parts  
 \*USE PAINT CODE: TK=BLACK

## ENGINE & PULLEY ASSEMBLY for models equipped with BRIGGS & STRATTON ENGINE



ITEM #	DESCRIPTION	PART #
1	Bolt - 5/16-18 X 1 1/4 Serr. Flange	NB253
2	Bolt - 5/16-18 X 3/4 Serr. Flange	NB596
3	Bracket - ON/OFF Switch, Txt Blk	19201*
4	Switch - Toggle	19192
5	Nut - 5/16-18 Serr. Flange	NB170
6	Belt Retention Weldment	10767
7	Engine Pulley Spacer 1.75" Long	BB105S
8	1/4 X 1/2 Key Stock	4258
9	Engine Pulley- 2.5"	2411
10	Engine Pulley- 4.25"OD, 1 1/4 ID	BB105
11	Washer 7/16 X 1-1/4, Belleville	699
12	Bolt - Serr Flange, 5/16-18 X 1 3/4 Gr5	NB515
13	Nut - 3/8-16 2 Way Locking	NB280
14	Idler Pulley OD-2.16", ID-3/8"	B27
15	Transmission Belt-35"	690
16	Washer - 1 X 1 1/2	NB614HT
17	1/4 X 1 Key Stock	9031

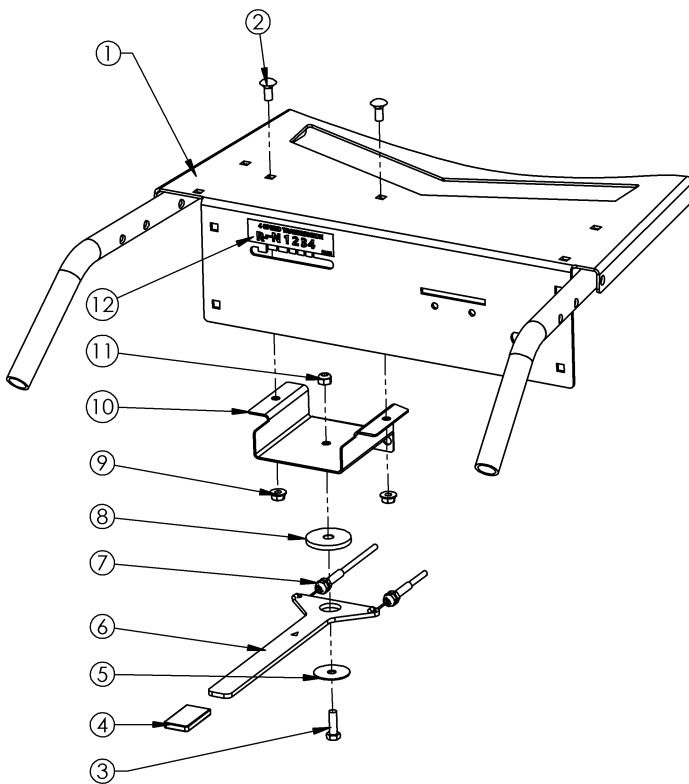
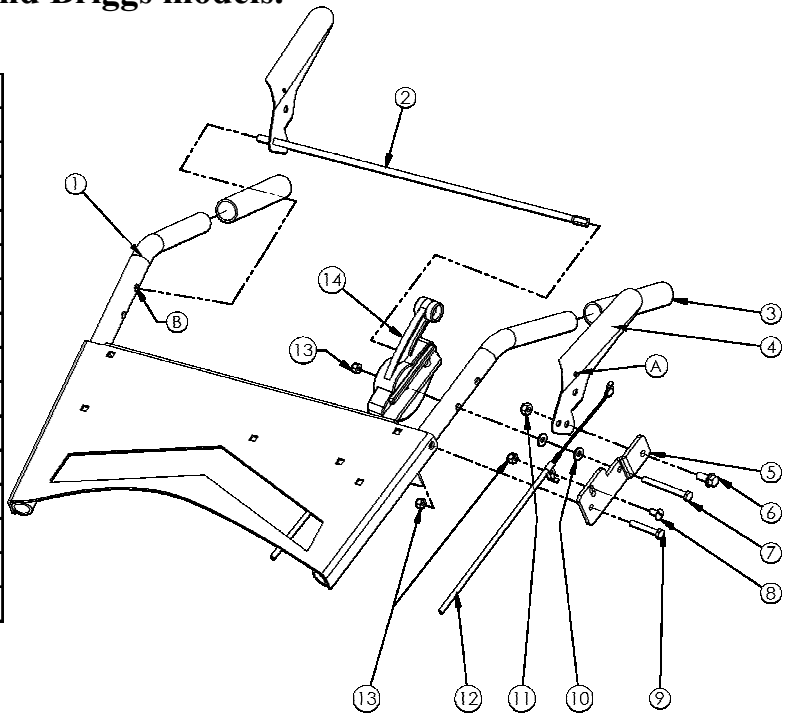
ITEM #	DESCRIPTION	PART #
18	Washer - 1/2 X 1-1/2	TR150W
19	Bolt - 7/16-20 X 1 1/2 Nyloc	NB637
20	Engine- B&S 344 CC Power Built	N/A
21	Nut - 5/16-18 Nyloc Zy	NB181
22	Valve - Oil Drain	16000
23	Guard - Wire	19478*
24	1/4-20 Serr. Flange Nut	NB524
25	Motor Plate	19213*
26	Washer - 3/8 SAE	NB272
27	Bolt - 3/8-16 X 1 1/2	NB107
28	Spring	T2SM
29	Bolt - 1/4-20 X 3/4	NB250
30	Idler Arm	10671*
31	Idler Bushing	6037
32	Bolt - 3/8-16 X 1	NB604
N/A	Cable - Transmission ( NOT SHOWN)	19209
N/A	Wire Harness (NOT SHOWN)	19202

When ordering replacement parts

\*USE PAINT CODE: TK=BLACK

## HANDLE BAR & LEVER ASSEMBLY for Honda and Briggs models.

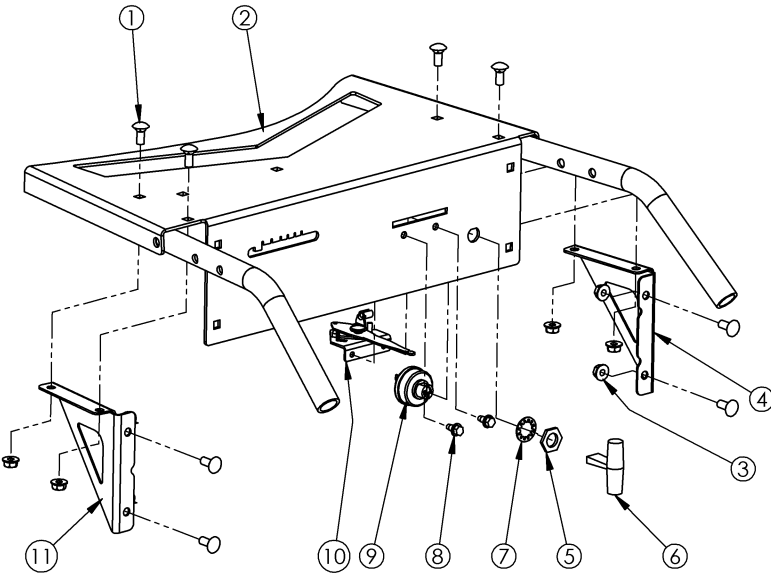
ITEM #	DESCRIPTION	PART #
1	Weldment - Handle Bar, Honda Models	21437*
1	Weldment - Handle Bar, Briggs Models	21435*
2	Lever - Blade Engage Weldment	19444*
3	Handle Grip	7826
4	Ground Control Lever	10685*
5	Plate - Blade Lever	10713*
6	Bolt - 5/16-18 X 3/4 Flange Head	NB596
7	Bolt - 1/4-20 X 2.75, YZ Gr 8	19455
8	Screw - 1/4-20 X 1/2 MSC ZP Truss Slot	NB113
9	Bolt - 1/4-20 X 1.75	NB278
10	Washer - 1/4 SAE	NB274
11	Nut - 5/16-18 Nyloc Zy	NB181
12	Cable Assembly	19209
13	Nut - 1/4-20 Nyloc	NB180
14	Blade Engage Control	19208



ITEM #	DESCRIPTION	PART #
1	Weldment - Handle Bar, Honda Models	21437*
1	Weldment - Handle Bar, Briggs Models	21435*
2	Bolt - 5/16-18 X 3/4 Carriage, Gr5	10216
3	Bolt - 5/16-18 X 1	NB501
4	Handle Grip	19911
5	Washer - .344 Id X 1.5 OD	NB641
6	Shift Lever	21443*
7	Shift Cable	21318
8	Idler Bushing	6037
9	Nut - 5/16-18 Serr Flange	NB170
10	Shift Lever Housing	21442*
11	Nut - 5/16-18 Nyloc	NB181
12	Decal - Gear Selection	21446

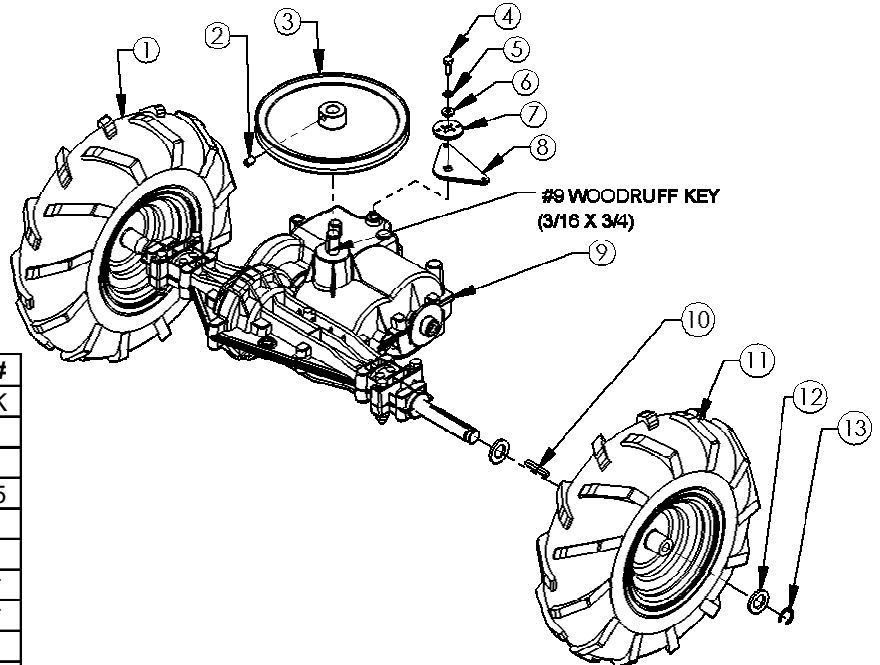
When ordering replacement parts  
\*USE PAINT CODE: TK=BLACK

## HANDLE BAR & ENGINE CONTROLS for Honda models only.



ITEM #	PART #	DESCRIPTION
1	10216	Bolt - 5/16-18 X 3/4 Carriage, Gr5
2	21437	Weldment - Handlebar, 12v
3	NB170	Nut - 5/16-18 Serr Flange
4	21444	Gusset - WB Console, Right
5	9087	Nut - Key Switch
6	4226 KNOB	Knob For P/N 3640
7	9088	Washer - Lock Key Switch
8	NB114	Bolt - Tcs 1/4-20 X 1/2 Unslot Zy Gr2
9	3623	Key Switch
10	4226	Cable - Throttle
11	21445	Gusset - WB Console, Left
NOT SHOWN		
KSK		Keys - Set of Two
20988		Wiring Harness

## TRANSAXLE ASSEMBLY



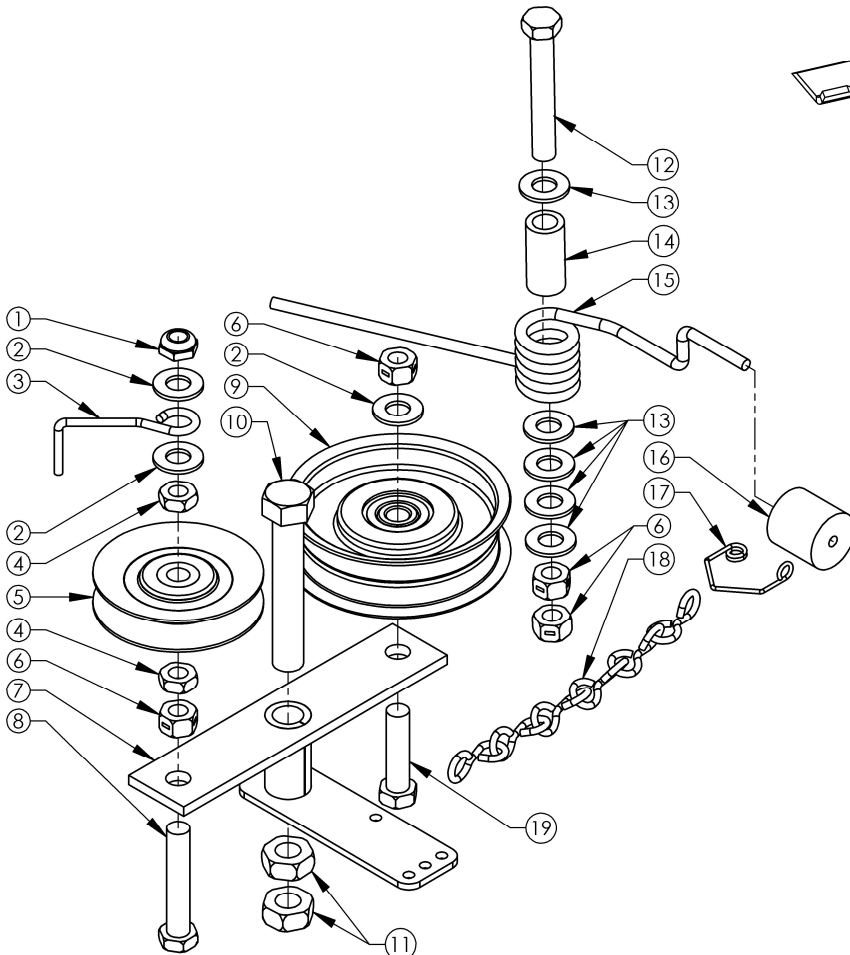
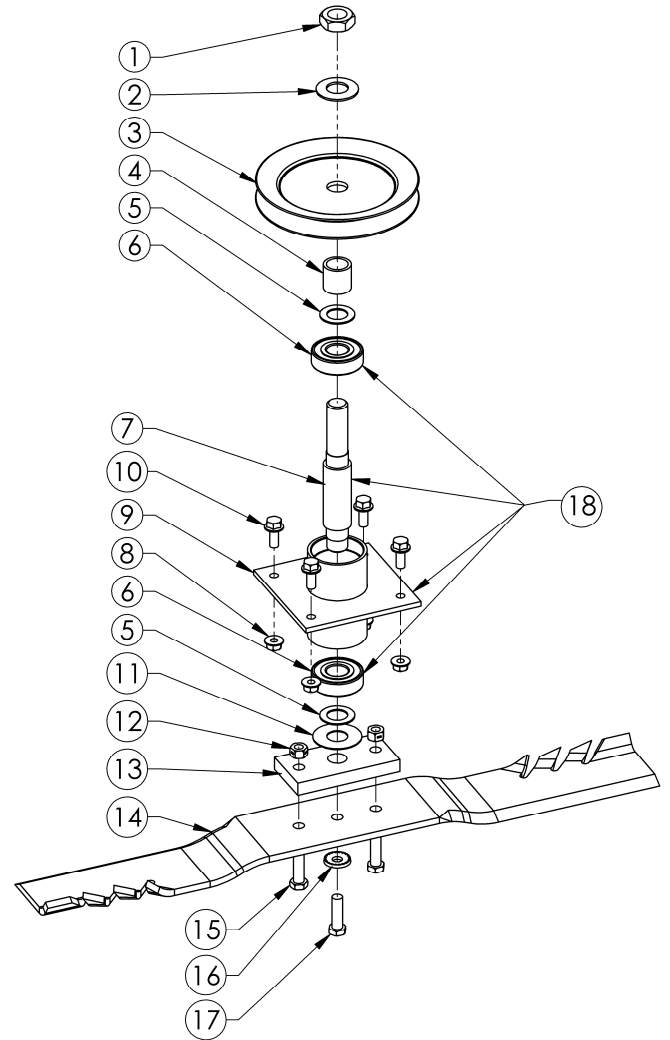
ITEM #	DESCRIPTION	PART #
1	Wheel - Asy Right; WB24 4.8x8	2401RK
2	Screw - Set 5/16-18 X 1/2	NB312
3	Pulley - Transmission, 8"	2410
4	Bolt - Hex 1/4-28 X 3/4 GR8	06X105
5	Washer - 1/4 Split Lock,	NB135
6	Washer - SAE Flat 1/4 ZY	NB274
7	Retainer - Cable Mount	21441*
8	Mount - Shift Cable	21440*
9	Transaxle - 4 Speed	19563
10	Key Stock - 3/16 X 1 1/2	2434
11	Wheel - Asy Left; WB24 4.8x8	2401LK
12	Washer - 3/4ID X 1 1/4OD	NB184
13	Ring - E-Style Retaining 3/4	NB621

When ordering replacement parts

\*USE PAINT CODE: TK=BLACK

## BLADE DRIVER ASSEMBLY

ITEM #	DESCRIPTION	PART #
1	Nut - Jam 3/4-16	NB175
2	Washer - Belleville .760 X 1.5 X .098	AS155
3	Pulley - Blade, 5.5"	20651
4	Spacer - 3/4 ID X 1	12823
5	Washer - 3/4 ID X 1 1/4 OD	NB179
6	Bearing - Blade	B98
7	Shaft - Blade 6", Long Shoulder	9078
8	Nut - Serr Flange 5/16-18	NB170
9	Housing - Blade Bearing	9091*
10	Bolt - Serr Flange, 5/16-18 X 3/4	NB596
11	Washer - Flat 3/4 ID X 1 3/4 OD	B98W
12	Nut - Lock, Two Way 3/8-24	NB216
13	Plate - Blade Mount	9008
14	Blade - G6 Gator 24"	20114
15	Bolt - 3/8-24 X 1 1/4 HCC GR5 ZY	NB166
16	Washer - SP Bellville .413 X.945 X.118	NB607
17	Bolt - HHC 3/8-24 X 1	NB238N
18	Blade Driver - Assembly	10712



## BRAKE ASSEMBLY

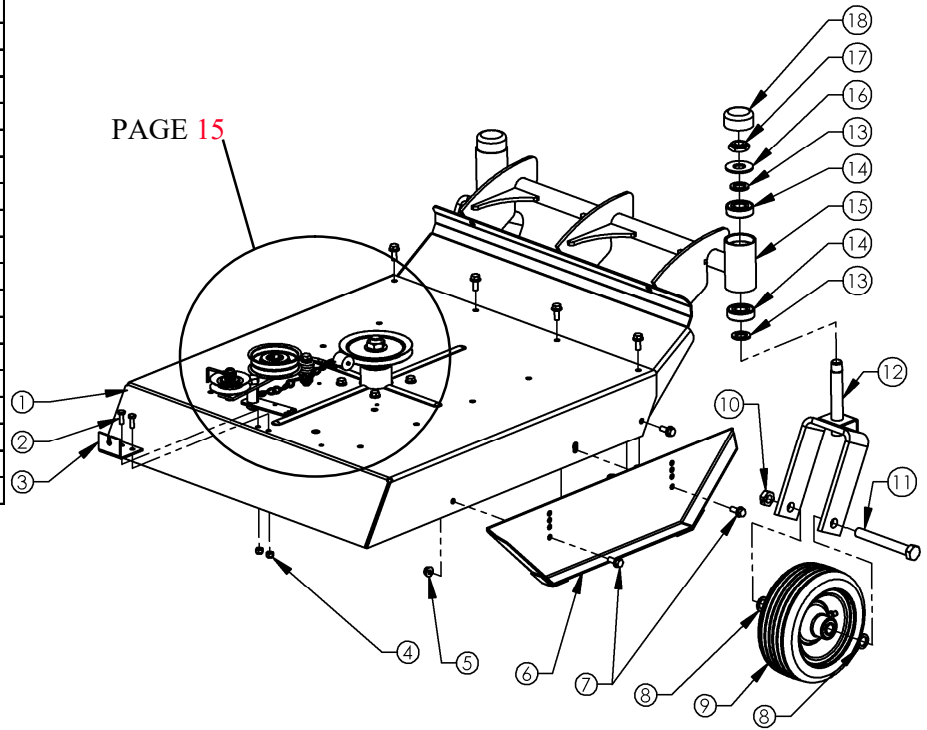
ITEM #	DESCRIPTION	PART #
1	Nut - Jam, Nyloc 3/8-16	NB207
2	Washer - SAE Flat 3/8	NB272
3	Finger for Belt Release	T30F
4	Nut - Jam 3/8-16	NB174
5	Pulley - Idler Clutch, 2 3/4 OD	T30V
6	Nut - 2 Way Lock 3/8-16	NB280
7	Idler - Blade Weldment	10668*
8	Bolt - HTC, 3/8-16 X 2	NB231
9	Pulley - Idler, OD3.25 X ID3/8	B527
10	Bolt - 1/2-13 X 3 HCC	NB131
11	Nut - Jam Lock, 1/2-13 2-Way	NB121
12	Bolt - 3/8-16 X 2 1/2 HTC	NB619
13	Washer - Hardened 3/8	NB196
14	Spacer - .625 OD X 1.25	8072*
15	Spring - Torsion Brake	BT297
16	Pad - Brake, Cylindrical	9114
17	Spring - Brake Pad Retainer	BP370S
18	Chain - Sgl Jk Chn, Zps, Sz12, 16#	AS080
19	Bolt - 3/8-16 X 1 1/2 HCC	NB107

When ordering replacement parts

\*USE PAINT CODE: TK=BLACK

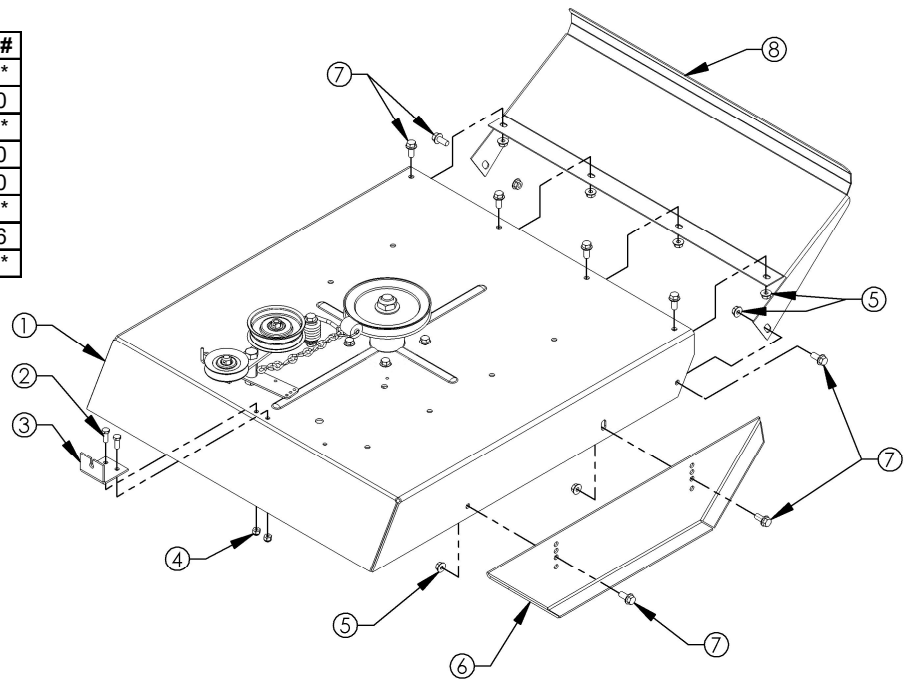
## DECK & CASTER ASSEMBLY (IF EQUIPED)

ITEM #	DESCRIPTION	PART #
1	Deck - Weldment	10695*
2	Bolt - 1/4-20 X 3/4	NB250
3	Clip - Blade Engagement Cable	10673*
4	Nut - Nyloc 1/4-20	NB180
5	Nut - Serr Flange 5/16-18	NB170
6	Weldment - WB Skid	18512*
7	Bolt - Serr Flange, 5/16-18 X 3/4	NB596
8	Washer - 5/8 ID X 1 OD	NB149
9	Tire/Wheel - 8 X 3 Flat Free	21284
10	Nut - Lock Jam, 5/8-11 2 Way	NB595
11	Bolt - 5/8-11 X 5	19642
12	Weldment - Caster	19638*
13	Washer - 13/16 X 1 1/4 X 1/8	NB195
14	Bearing	B98
15	Weldment - Brush Guard Housing	19631*
16	Washer - Flat	17X195
17	Nut - Jam, Nyloc 3/4-16	NB122
18	Cap	094618



## DECK & FRONT GUARD ASSEMBLY (IF EQUIPED)

ITEM #	DESCRIPTION	PART #
1	Deck - Weldment	10695*
2	Bolt - 1/4-20 X 3/4	NB250
3	Clip - Blade Engagement Cable	10673*
4	Nut - Nyloc 1/4-20	NB180
5	Nut - Serr Flange 5/16-18	NB170
6	Weldment - WB Skid	18512*
7	Bolt - Serr Flange, 5/16-18 X 3/4	NB596
8	Guard - Predator Brush	10681*



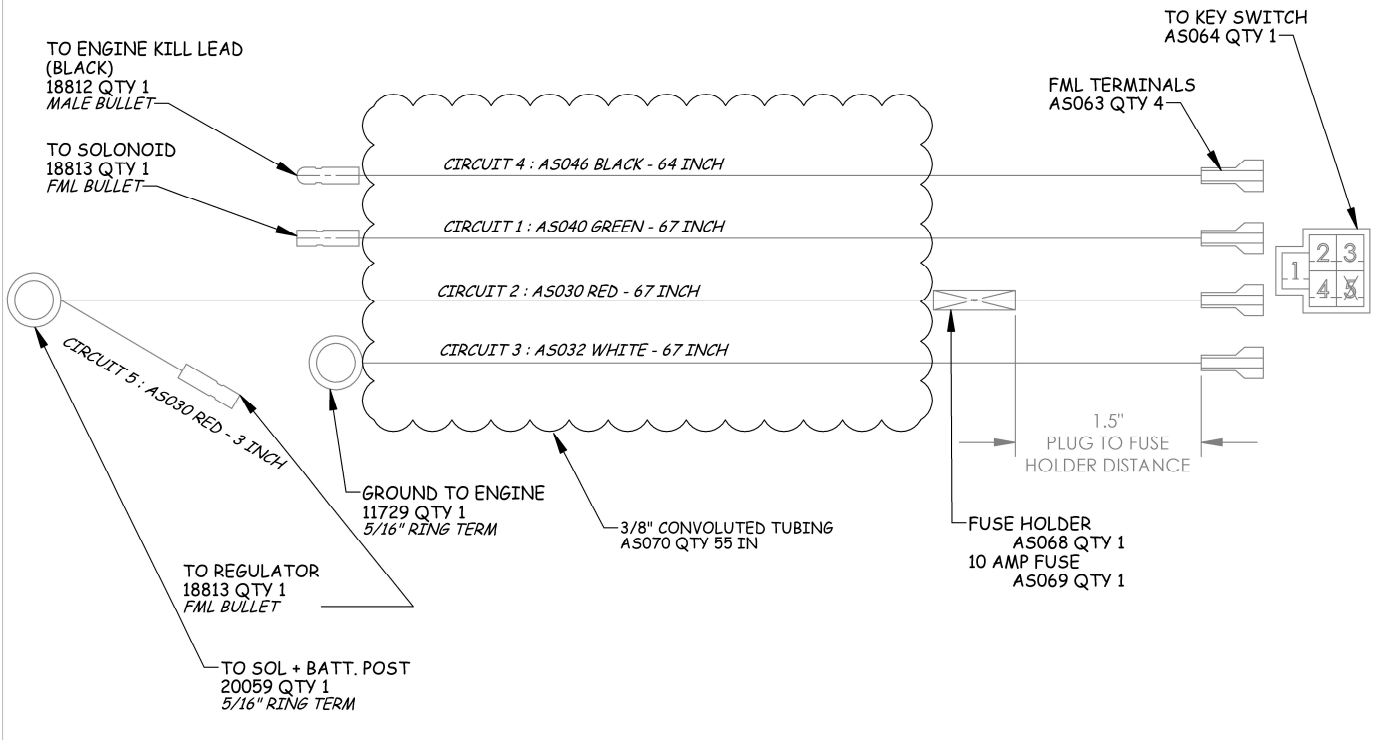
When ordering replacement parts  
\*USE PAINT CODE: TK=BLACK



# WIRING CONFIGURATION

## HONDA Engine Models

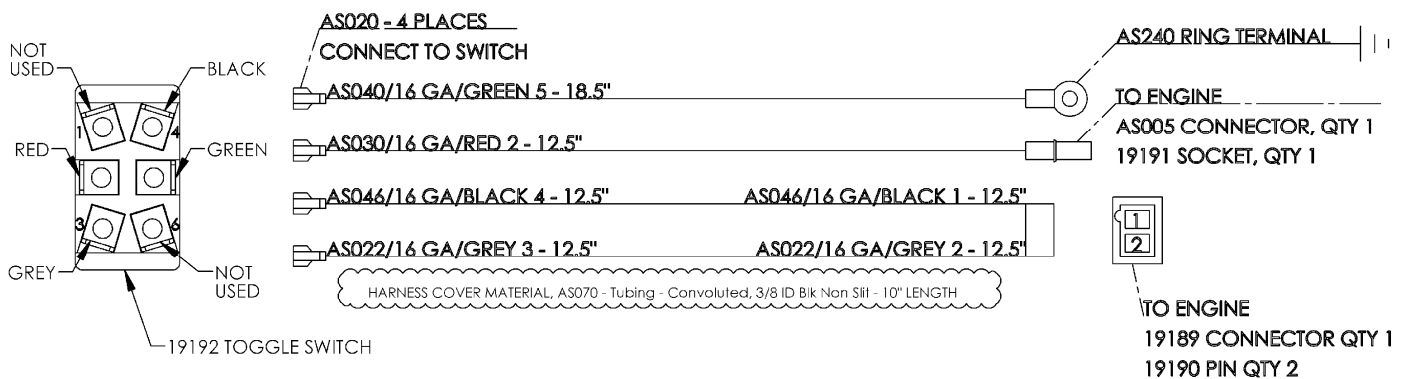
### Wiring Harness PN 20988



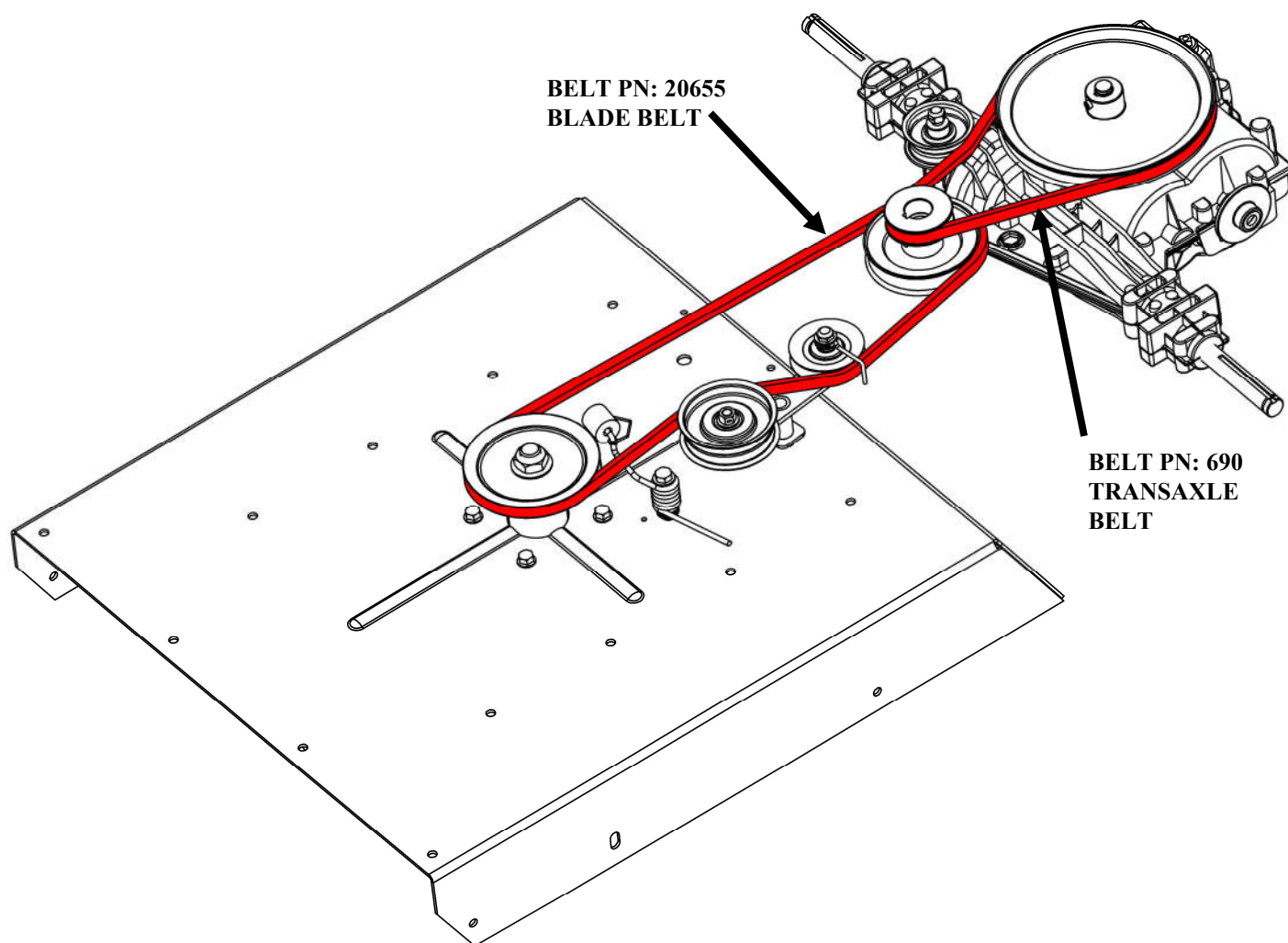
# WIRING CONFIGURATION

## Briggs Engine Models

### Wiring Harness PN 19202



## BELT ROUTING



Specifications	Model Number			
	WRC10224HC	WRC10224H	WRC11524BSC	WRC11524BS
Engine	Honda GXV390	Honda GXV390	Brigs & Stratton PowerBuilt	Brigs & Stratton PowerBuilt
Displacement	389 CC	389 CC	344 CC	344 CC
Fuel Type	*Unleaded 86 Octane	*Unleaded 86 Octane	*Unleaded 87 Octane	*Unleaded 87 Octane
Fuel Capacity	2.2 US Qts	2.2 US Qts	2.8 US Qts	2.8 US Qts
Oil Type	*SAE 10W-30	*SAE 10W-30	*SAE 10W-30	*SAE 10W-30
Oil Capacity	1.2 US Qts	1.2 US Qts	1.5 US Qts	1.5 US Qts
Front Tire Size	8 X 3 Flat Free	N/A	8 X 3 Flat Free	N/A
Rear Tire Size	16" Dia. X 4" Chevron	16" Dia. X 4" Chevron	16" Dia. X 4" Chevron	16" Dia. X 4" Chevron
Rear Tire Pressure	17 PSI Max	17 PSI Max	17 PSI Max	17 PSI Max
Overall Length	93.5"	87"	93.5"	87"
Overall Height	38.7 "to 41.7"	38.7 "to 41.7"	38.7 "to 41.7"	38.7 "to 41.7"
Unit Weight	291 Lbs	256 Lbs	281 Lbs	246 Lbs

\* Refer to engine owners manual

swisherinc.com

## OWNER'S MANUAL

### MODEL NO.

**WRC10224HC**

**WRC10224H**

**WRC11524BSC**

**WRC11524BS**



#### IMPORTANT

Read and follow all  
Safety Precautions  
and Instructions  
before operating this  
equipment.

# RESIDENTIAL & COMMERCIAL PRO 24" WALK BEHIND ROUGH CUT TRAIL CUTTERS

Each cutter has its own model number. Each engine has its own model number. The model number for the cutter will be found on the right hand side of the drive belt housing. The model number for the engine will be found on the engine block. All cutter parts listed herein may be ordered directly from Swisher or your nearest Swisher dealer. All engine parts may be ordered from the nearest dealer of the engine supplied with your cutter.

WHEN ORDERING PARTS, PLEASE HAVE THE FOLLOWING INFORMATION AVAILABLE:

- \* PRODUCT - WALK BEHIND ROUGH CUT
- \* SERIAL NUMBER - \_\_\_\_\_
- \* MODEL NUMBER - \_\_\_\_\_
- \* ENGINE MODEL NUMBER - \_\_\_\_\_
- TYPE - \_\_\_\_\_
- \* PART NUMBER
- \* PART DESCRIPTION

TELEPHONE - 1-800-222-8183

FAX - 1-660-747-8650

**SWISHER ACQUISITION INC.**

1602 CORPORATE DRIVE

WARRENSBURG, MO 64093

# **SWISHER**<sup>®</sup>

CHANGING YOUR LANDSCAPE SINCE 1945