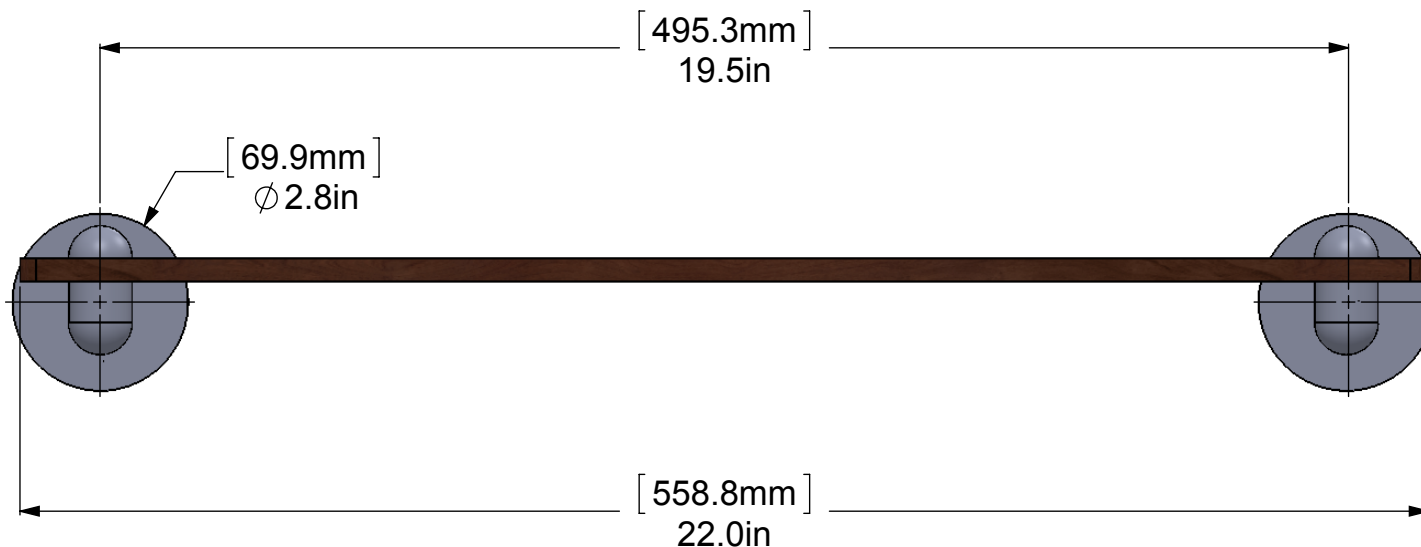
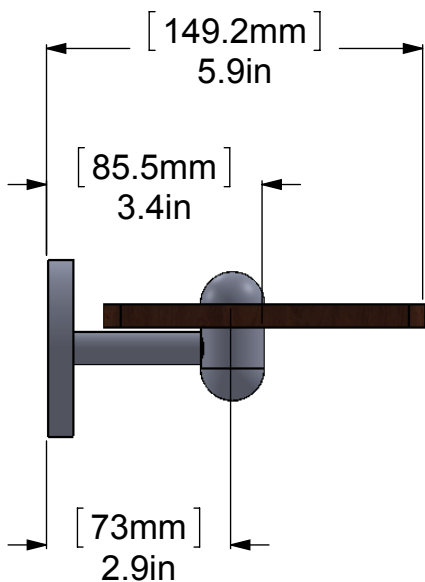
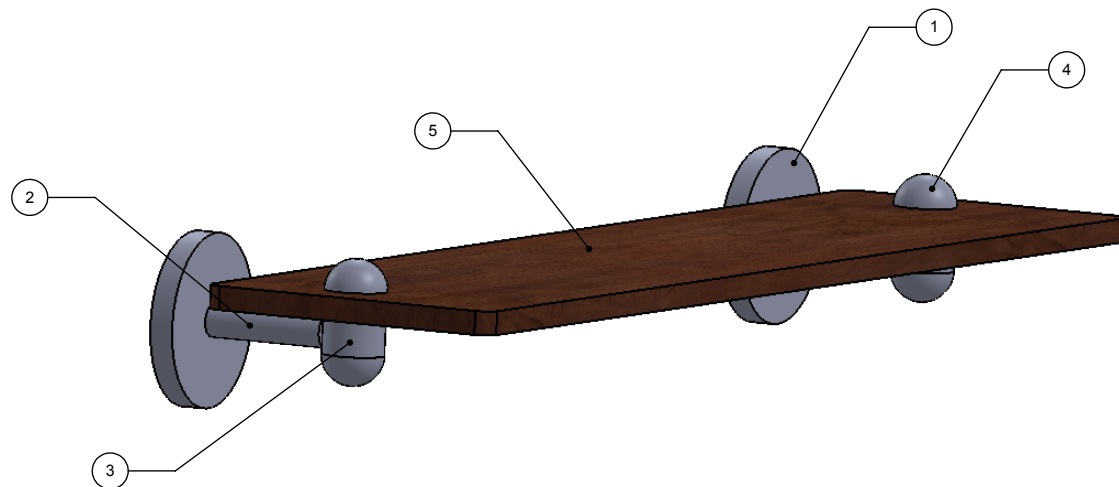


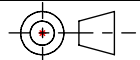
| ITEM NO. | PART NUMBER | DESCRIPTION | QTY. |
|----------|-------------|-------------|------|
| 1        | BPRD        | Base        | 2    |
| 2        | TU12-2      | NECK        | 2    |
| 3        | HBIT-1      | Hub         | 2    |
| 4        | CAHR-1      | CAP         | 4    |
| 5        | IRWRT-22    | WOOD SHELF  | 1    |



UNLESS OTHERWISE STATED

|      |         |
|------|---------|
| .X   | ±.3mm   |
| .XX  | ±.15mm  |
| .XXX | ±.008mm |

COPYRIGHT © Allied Brass 2016



THIRD ANGLE PROJECTION

|          |           |     |
|----------|-----------|-----|
| DRAWN    | 1/15/2017 | I.M |
| CHECKED  | 1/15/2017 | P.D |
| APPROVED | 1/15/2017 | R.A |

|              |       |             |          |     |
|--------------|-------|-------------|----------|-----|
| MATERIAL:    | BRASS |             | FINISH   | TBD |
| DESCRIPTION: | SHELF |             | QUANTITY | TBD |
|              |       | DRAWING No. |          | REV |
|              |       | TA-1-22-IRW |          | 0   |
| SCALE        | 1:3   | SHEET: 01   | A4       |     |