






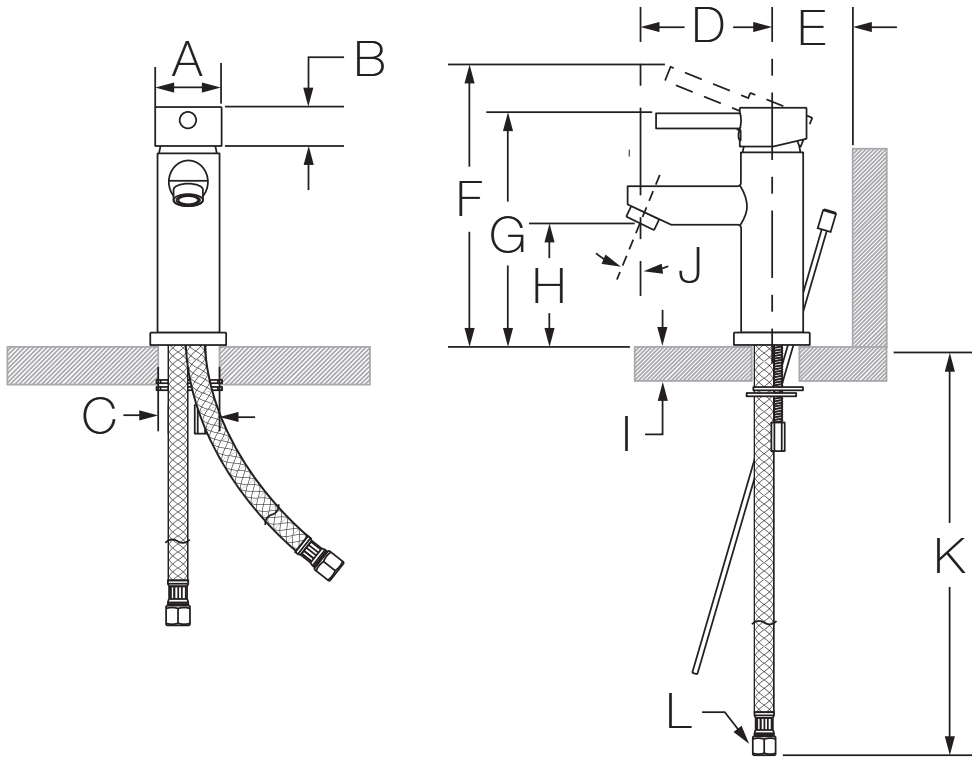
Location:

SLS-3512-1.5, SLS-3510-1.5  
Single Handle Lavatory Faucet  
**Specification Submittal**



Model Numbers	Feature Highlights
<input type="checkbox"/> <b>SLS-3512-1.5</b> <i>Single Handle Lavatory Faucet with lift rod and metal drain assembly</i> <input type="checkbox"/> <b>SLS-3510-1.5</b> <i>Single Handle Lavatory Faucet, lift rod and drain not included</i>	<ul style="list-style-type: none"> <li>• Single hole mount configuration</li> <li>• Quarter turn ceramic cartridge</li> <li>• 23 inch braided hose water supply connections</li> <li>• 7-5/16" height</li> <li>• Lift rod and metal drain assembly (SLS-3512-1.5)</li> <li>• Standard 1.5 gpm (5.7 L/min) flow rate</li> <li>• Faucet shall be metal construction, plated in standard polished chrome finish</li> </ul>
Finish Options/Modifications	Compliance
<input type="checkbox"/> <b>-1.0</b>  <i>1.0 gpm (3.8 L/min) flow restrictor</i> <input type="checkbox"/> <b>Delete Suffix 1.5</b> <i>2.2 gpm (8.3 L/min) flow restrictor</i> <input type="checkbox"/> <b>-DP4</b> <i>4" deck plate</i> <input type="checkbox"/> <b>-G</b> <i>Grid drain</i> <input type="checkbox"/> <b>-BBZ</b> <i>Brushed Bronze finish</i> <input type="checkbox"/> <b>-MB</b> <i>Matte Black finish</i> <input type="checkbox"/> <b>-STN</b> <i>Satin Nickel finish</i>	<p>-ASME A112.18.1/CSA B125.1          -NSF/ANSI 61.9; NSF/ANSI 372          -WaterSense 1.0 gpm, 1.5 gpm</p> <div style="display: flex; justify-content: flex-end; align-items: center;">   </div>
<p><b>Note:</b> Append appropriate -suffix to model number.</p>	Warranty
<p><b>Limited Lifetime</b> - to the original end purchaser in consumer/residential installations.  <b>5 Years</b> - for industrial/commercial installations.          Refer to <a href="http://www.symmons.com/warranty">www.symmons.com/warranty</a> for complete warranty information.</p>	

## Dimensions



Measurements	
A	2", 51 mm
B	1-3/16", 30 mm
C	Hole Size Min. Ø 1-1/4", 32 mm Max. Ø 1-3/8", 35mm
D	4", 102 mm
E	Min. 3", 76 mm
F	8-3/4", 222 mm
G	7-5/16", 186 mm
H	3-11/16", 94 mm
I	Deck Thickness Ref. Min. 7/8", 22 mm Max. 2 3/8", 60 mm
J	26°
K	23", 584 mm
L	3/8" compression fitting

**Note:** Dimensions subject to change without notice.