

EVERBILT

Item # 1002 711 122
Model # THD1095

USE AND CARE GUIDE

PRE-PLUMBED SUMP BASIN SYSTEM WITH 3/10 HP SUMP PUMP



Questions, problems, missing parts? Before returning to the store,
call Everbilt Customer Service
8 a.m. - 7 p.m., EST, Monday - Friday, 9 a.m. - 6 p.m., EST, Saturday

1-877-297-6069

HOMEDEPOT.COM

THANK YOU

We appreciate the trust and confidence you have placed in Everbilt through the purchase of this sump system. We strive to continually create quality products designed to enhance your home. Visit us online to see our full line of products available for your home improvement needs. Thank you for choosing Everbilt!

Table of Contents


Safety Information 2
Warranty 3
Pre-Installation 4
 Application 4
 Typical Installation 4

Tools Required 4
Materials Required (not included) 4
Product Description 5
Installation 6


Safety Information


PRECAUTIONS


1. This document serves only as an installation guide. Refer to your state and/or local plumbing or onsite wastewater treatment and disposal regulations for details pertaining to your systems design, installation and maintenance requirements.
2. Keep this instruction manual in a safe place for future reference.
3. The motor of this pump has a thermal protector that will trip if the motor becomes too hot. The protector will reset itself once the motor cools down and an acceptable temperature has been reached. The pump may start unexpectedly if it is plugged in.
4. Ensure the electrical power source is adequate for the requirements of the pump.
5. This pump is made of high-strength, corrosion-resistant materials. It will provide trouble-free service for a long time when properly installed, maintained, and used. However, inadequate electrical power to the pump, dirt, or debris may cause the pump to fail. Please carefully read the manual and follow the instructions regarding common pump problems and remedies.


 **DANGER:** Do not pump flammable or explosive liquids such as oil, gasoline, kerosene, ethanol, etc. Do not use in the presence of flammable or explosive vapors. Using this pump with or near flammable liquids can cause an explosion or fire, resulting in property damage, serious personal injury, and/or death.

 **DANGER:** ALWAYS disconnect the power to the pump before servicing.

 **DANGER:** Do not touch the motor housing during operation. The motor is designed to operate at high temperatures. Do not disassemble the motor housing.


 **DANGER:** Do not handle the pump or pump motor with wet hands or when standing on a wet or damp surface, or in water. If the basement floor is wet, do not walk on the wet area until all power is turned off. If the shut-off box is in the basement, call the electric company to shut off service to the house, or call your local fire department for instructions. Remove the pump and repair or replace. Failure to follow this warning can result in fatal electrical shock


 **WARNING:** Extension cords may not deliver sufficient voltage to the pump motor. Extension cords present a life threatening safety hazard if the insulation becomes damaged or the connection ends fall into water. The use of an extension cord to power this pump is not permitted.


 **WARNING:** Secure the discharge line before starting the pump. An unsecured discharge line will whip, possibly causing personal injury, and/or property damage.


 **WARNING:** Release all pressure and drain all water from the system before servicing any component.

 **WARNING:** Wear safety goggles at all times when working with pumps.

 **WARNING:** This unit is designed only for use on 115 volts (single phase), 60 Hz, and is equipped with an approved 3-conductor cord and 3-prong grounded plug. Do not remove the ground pin under any circumstances. The 3-prong plug must be directly inserted into a properly installed and grounded 3-prong, grounding-type receptacle. Do not use this pump with a 2-prong wall outlet. Replace the 2-prong outlet with a properly grounded 3-prong receptacle (a GFCI outlet) installed in accordance with the National Electrical Code and local codes and ordinances. All wiring should be performed by a qualified electrician.

 **WARNING:** Protect the electrical cord from sharp objects, hot surfaces, oil, and chemicals. Avoid kinking the cord. Do not use damaged or worn cords.

 **WARNING:** Failure to comply with the instruction and designed operation of this unit may void the warranty. ATTEMPTING TO USE A DAMAGED PUMP can result in property damage, serious personal injury, and/or death.

 **WARNING:** Ensure that the electrical circuit to the pump is protected by a 15 Amp fuse or circuit breaker.

Safety Information (continued)



CAUTION: Do not lift the pump by the power cord,



CAUTION: Know the pump and its applications, limitations, and potential hazards.



CAUTION: Periodically inspect the pump and system components to ensure the pump intake is free of mud, sand, and debris. Disconnect the pump from the power supply before inspecting,



CAUTION: Follow all safety standards and all local electrical codes.

ELECTRICAL SAFETY



WARNING: Do not splice the electrical power cord.



WARNING: Do not allow the electrical cord plug to be submerged.



WARNING: Do not use extension cords. They are a fire hazard and can reduce voltage sufficiently to prevent pumping and/or damage the motor.



WARNING: Do not handle or service the pump while it is connected to a power supply.



WARNING: DO NOT remove the grounding prong from the plug or modify the plug. To protect against electrical shock, the power cord is a three-wire conductor and includes a 3-prong grounded plug. Plug the pump into a 3-wire, grounded, grounding type receptacle. Connect the pump according to electrical codes that apply.

Warranty

The manufacturer warrants to the original consumer purchaser of the pre-plumbed sump system that it will be free from defects in material and workmanship for the Warranty Period of 12 months from date of purchase. The date of purchase shall be determined by the original dated sales receipt noting the model number of the system. The original sales receipt must accompany the returned system. If the system fails during the warranty period, disconnect the power, disconnect all plumbing and piping, empty any water from the pump and return the pump to The Home Depot along with the receipt.

The manufacturer shall not be liable under this Warranty for any product that, in our sole judgment, has been subject to negligence, misapplication, improper installation, or improper maintenance. Also, the manufacturer shall not be liable under this Warranty if the product has been disassembled, modified, abused, or tampered with; if the electrical cord has been cut, damaged or spliced; if the pump discharge has been reduced in size; if the pump has been used in water temperatures above the advertised rating, or water containing sand, lime, cement, gravel or other abrasives; if the product has been used to pump chemicals or hydrocarbons; or if the label bearing the system model has been removed.

Your sole remedy, and the manufacturer's only duty, is that the manufacturer repair or replace defective systems (at the manufacturer's choice). You must pay all labor and shipping charges associated with this warranty. No request for service will be accepted if received after the Warranty Period has expired. This warranty is non-transferable.

The manufacturer shall not be liable for any consequential, incidental, or contingent damages whatsoever. The manufacturer recommends using a professional plumber for all installation and repair, and periodic inspection of the manufacturer's pumps, plumbing connections, and electrical cord. The manufacturer makes no warranty regarding the suitability of a product for a particular installation.

This warranty excludes all industrial, agricultural, commercial, and business usage of this system.

The foregoing warranties are exclusive and in lieu of all other express and implied warranties, including but not limited to the implied warranties of merchantability and fitness for a particular purpose. The foregoing warranties shall not extend beyond the duration expressly provided herein.

Some states do not allow the exclusion or limitation of incidental or consequential damages or limitations on the duration of the implied warranty, so the above limitations or exclusions may not apply to you. This warranty gives you specific legal rights and you may also have other rights which may vary from state to state. This warranty applies to only pumps installed in the United States of America and Canada.

This warranty supersedes and replaces all previous warranty publications.

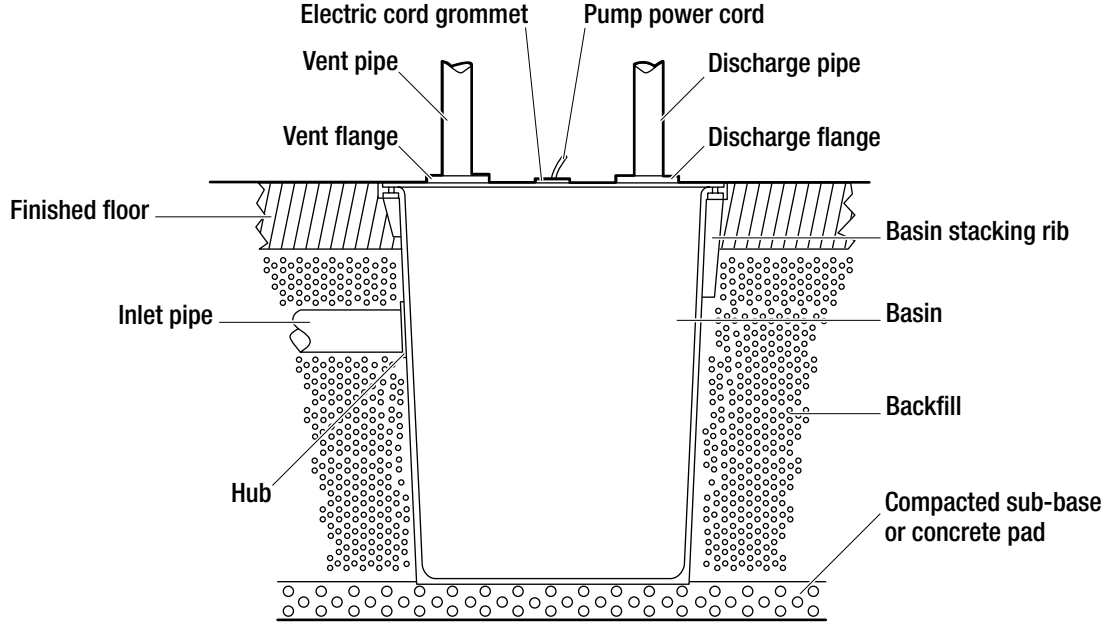
Contact the Customer Service Team at 1-877-297-6069 or visit www.HomeDepot.com.

Pre-Installation

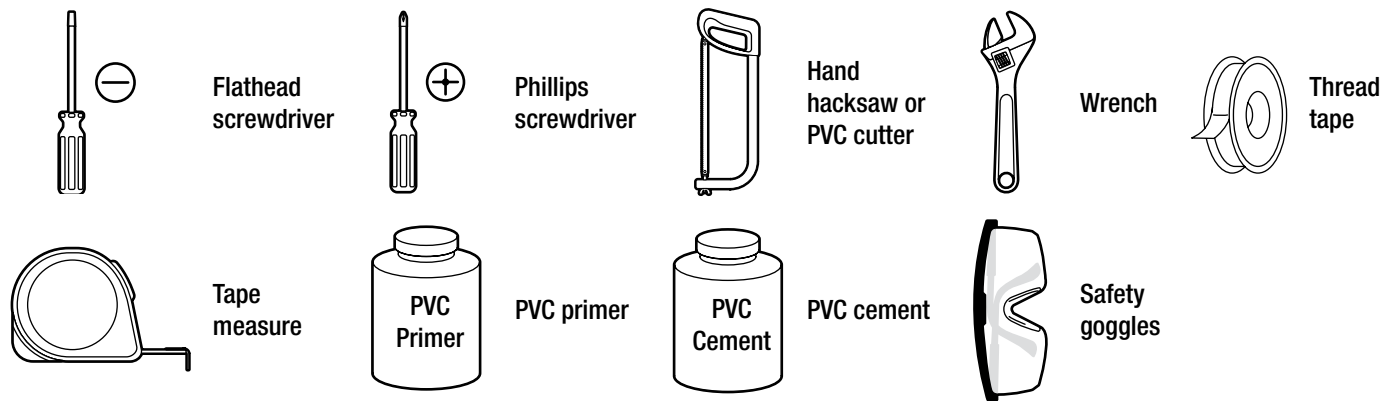
APPLICATION

This submersible sump pump is designed for pumping water with up to 3/8 in. diameter solids. The pump is built with overload thermal protections and auto reset. The pump is equipped with a 10 ft. 3-prong grounding-type power cord and tethered float switch. This pump operates automatically. Ball bearings on motor shafts never need lubrication.

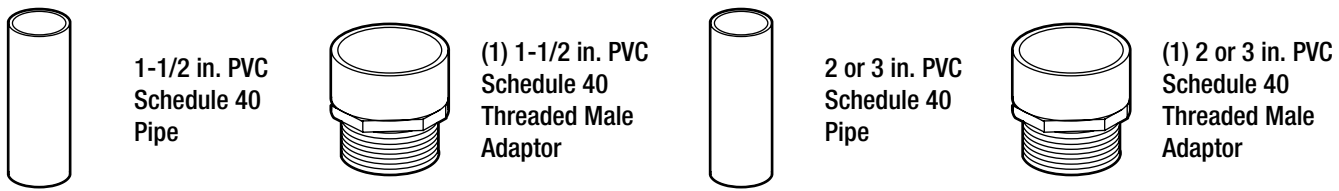
TYPICAL INSTALLATION



TOOLS REQUIRED

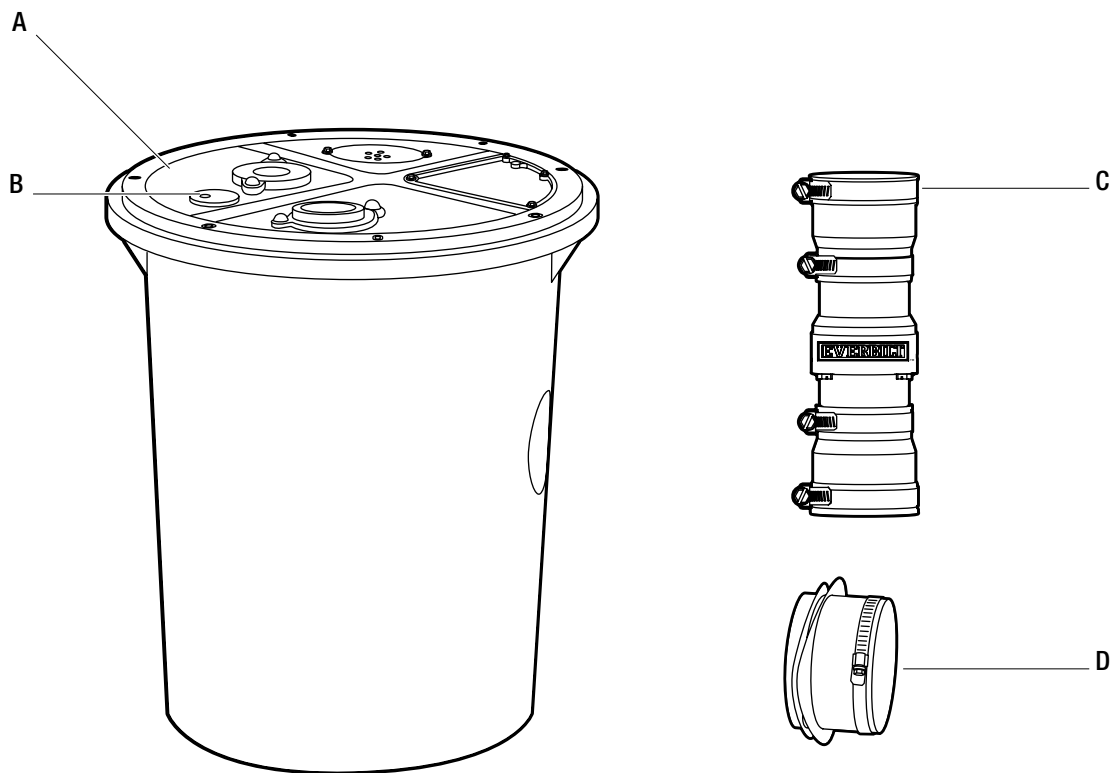


MATERIALS REQUIRED (NOT INCLUDED)



Pre-Installation (continued)

PRODUCT DESCRIPTION

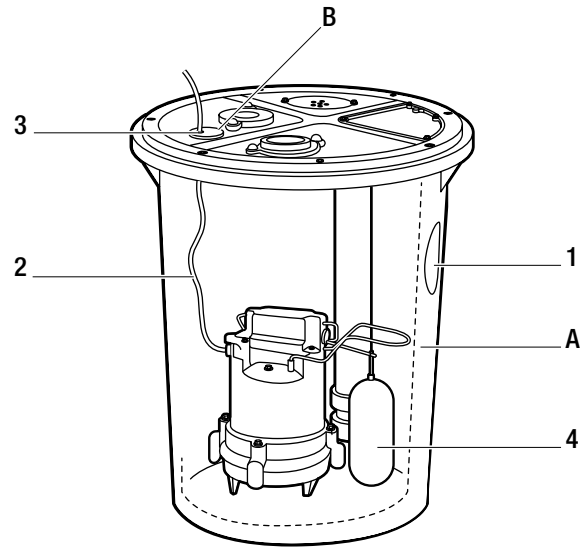


Part	Description
A	Basin (with pump and discharge connection inside)
B	Cord grommet (inside Basin (A))
C	1.25 in. and 1.5 in. ABS In-Line Sump Pump Check Valve
D	4 in. Snap-In inlet hub (inside Basin (A))

Installation

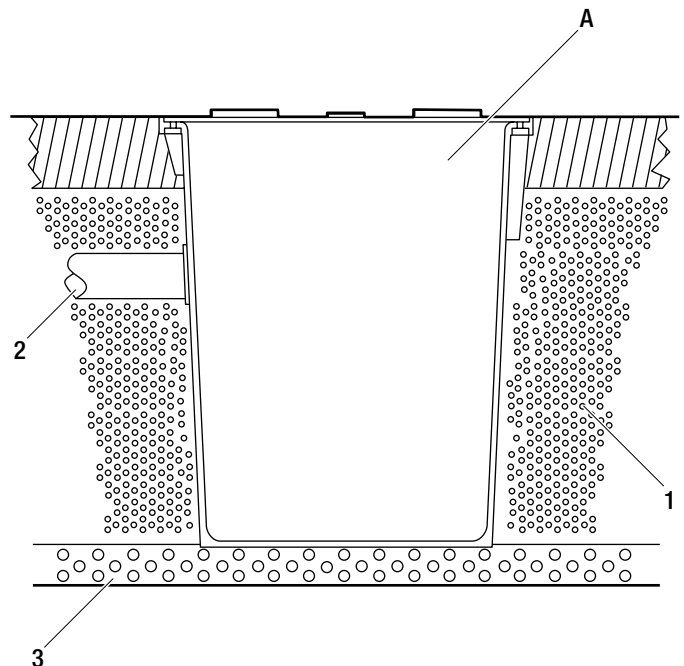
1 Preparing the basin for installation

- Reach your hand inside the inlet hole (1) through the basin (A) and remove the package that contains the inlet hub (D), check valve (C), and cord grommet (B).
- Reach your hand a second time inside the inlet hole (1) through the basin (A) and grab power cord (2). Thread the cords through the 2 in. hole (3) on top of the basin (A), removing all slack. Ensure the cord is not tangled around the pump or float switch. Verify that the float switch (4) can move freely.
- Press the cord through the slit and into a hole in the cord grommet (B) and press the grommet (B) into the 2 in. hole (3) in the cover to provide a tight seal.



2 Preparing the installation location

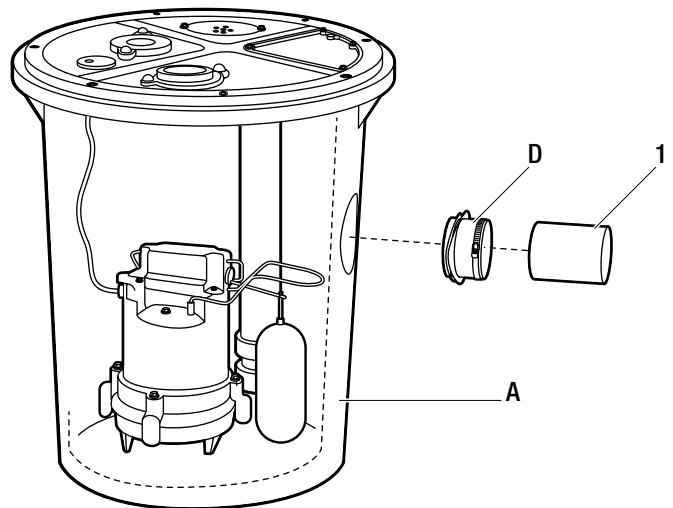
- Excavate a hole large enough to accommodate the basin (A), backfill material (1) and inlet piping (2).
- Add 4 – 6 in. of clean sub-base material or concrete (3) to the bottom of the hole.
- Assure that it is level, compacted, and smooth.
- Place the basin (A) in the hole and ensure that it is level.



Installation (continued)

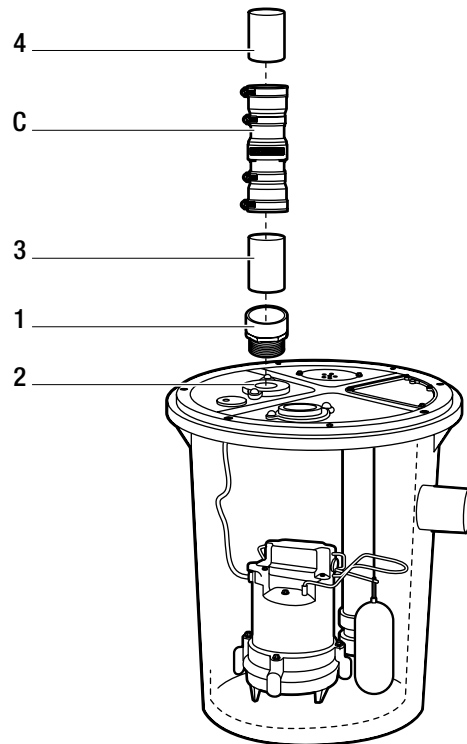
3 Connecting the inlet piping

- Connect the inlet piping (1) as required by code using the 4 in. snap-in inlet hub (D). Hand-tighten the hose clamp.
- Carefully backfill with naturally rounded gravel or stone, larger than 3/8 in. and smaller than 3/4 in. diameter, around the periphery of the basin (A).



4 Connecting the discharge piping

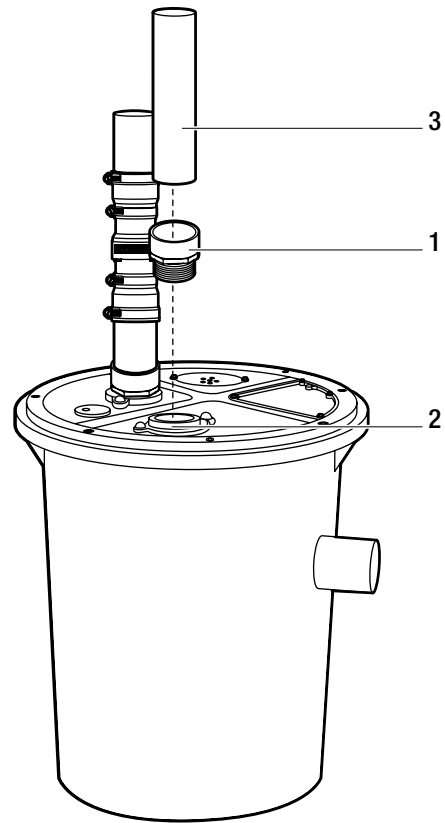
- Install a 1-1/2 in. PVC Schedule 40 threaded male adapter (1) (not included) into the discharge flange (2) as shown. Use Teflon tape, silicon sealant, or plumber's pipe dope to seal the threads. Ensure that you are connecting to the sump pump discharge and not the vent port.
- Connect discharge pipe (3) (not included) to the 1-1/2 in. PVC Schedule 40 threaded male adapter (1) (not included) using PVC primer and solvent cement to properly seal the connection.
- Install the 1-1/2 in. check valve (C) to the discharge line at the appropriate location. Ensure the flow arrow on the check valve (C) is pointed in the right direction. Tighten fittings to ensure a watertight seal.
- Install 1-1/2 in. PVC Schedule 40 pipe (4) (not included) into the 1-1/2 in. check valve (C) and connect this pipe to the appropriate sewer main pipe for discharge. Hand tighten the fittings to ensure a watertight seal.



Installation (continued)

5 Attaching the vent connection

- Install a 2 or 3 in. PVC Schedule 40 threaded male adaptor (1) (not included) into the vent hole (2) as shown. Use Teflon tape, silicon sealant, or plumber's pipe dope to seal the threads.
- Connect a vent pipe (3) (not included) to the 2 or 3 in. PVC Schedule 40 threaded male adaptor (1) using PVC primer and solvent cement to properly seal the connection. Connect the vent pipe to the sewer's vent system. We suggest that a union be installed on this line to allow for easy pump service or removal.



6 Connecting the power and verifying proper operation

- Make sure that the cord grommet is properly inserted into the lid. This assures a water and gas tight seal.
- Check the pump by filling the basin with water and observe the pump's operation through one complete cycle.



NOTE: The discharge pipe comes with a factory installed weep hole located above the threaded adaptor. This weep hole is required to prevent air-lock and for proper operation of the system.



**Questions, problems, missing parts? Before returning to the store,
call Everbilt Customer Service
8 a.m. - 7 p.m., EST, Monday-Friday, 9 a.m. - 6 p.m., EST, Saturday**

1-877-297-6069

HOMEDEPOT.COM

Retain this manual for future use.