

TrafficMASTER Laminate Flooring Installation Guide (for products without attached underlayment)

READ INSTRUCTIONS THOROUGHLY BEFORE BEGINNING INSTALLATION.

GENERAL GUIDELINES

TrafficMASTER laminate flooring is installed using a patented glueless locking mechanism. Because this is a floating floor system, TrafficMASTER laminate flooring should not be nailed or glued to the subfloor. The floor should not be installed directly against any fixed, vertical objects (including walls, staircases, fixtures, etc.); Allow a minimum of 5/16" (8mm) expansion space around the perimeter of the room and any fixed objects such as posts. Use spacers included in the recommended laminate flooring kit to achieve uniform space around fixed objects.

IMPORTANT!

Rooms measuring wider or longer than 30 ft (9m) require the use of T-moldings to allow for normal expansion and contraction of the floor.

Be sure to stagger boards by a minimum of 12 in (300mm).

TrafficMASTER laminate flooring should not be installed in rooms where the relative humidity exceeds 70%.

GENERAL REQUIREMENTS FOR ALL TYPES OF SUBFLOORING:

TrafficMASTER laminate flooring can be installed over most floors such as vinyl, tile and sheet floors. Substrates should be structurally sound and immobile. Before installing flooring, ensure that the subfloor is leveled within 3/16 in in 10 ft (2mm in 2m). Irregularities in the subfloor should be smoothed using a hydraulic cement base patching and leveling compound. Suspended wood subfloors should have a minimum of 18 in (45cm) of well-ventilated air space above the ground.

Concrete:

- New concrete subflooring should be cured for at least 90 days prior to installation. (Moisture test: moisture vapor < 3 lbs./1,000 sq. ft./24 hours per ASTM 1869 calcium chloride test).
- Install 0.008 in (0.20mm) age-resistant, non-permeable polyethylene vapor barrier over the concrete subfloor. Seams must be taped using adhesive tape such as duct tape. The vapor barrier should be installed up the wall by 1 in (25mm).
- Sheet Vinyl, Tile and Wood Subflooring: Moisture content of the wood subfloor should not exceed 12%.

Carpeting:

- Remove deep pile carpeting and padding prior to installation of laminate flooring.
- TrafficMASTER laminate flooring can be installed over industrial direct glue-down carpeting installed over wood subfloors without padding.
- Carpet installed over concrete must be removed. See instructions for installation over a concrete subfloor.

Radiant Heating Systems:

- TrafficMASTER laminate flooring can be installed on under-floor radiant heating systems if the heating element is installed into wood or concrete subfloors.
- Lower heating system to 60 °F (16 °C) for 1 week before installation.
- After installation, slowly increase the temperature in increments of 10 °F (6 °C) per hour.
- Surface temperature must not exceed 85 °F (28 °C).
- Follow installation instructions for wood or concrete as outlined above.

CONDITIONING:

It is important to allow TrafficMASTER laminate flooring to acclimate to the room temperature where it is to be installed by placing the packaged flooring flat in the room for a minimum of 48 hours prior to installation. Do not remove the plastic wrapping. Be sure that the room temperature is in the range of 65-75 °F (18-20 °C).

ROOM PREPARATION:

1. Determine which direction to lay the planks. If installing in narrow hallways or small rooms, the area will appear larger if flooring is laid parallel to the longest wall.
2. Remove all existing moldings.
3. If room has electric baseboard heaters, leave a minimum of 1/2 in (12.5mm) between the surface of the flooring and the bottom of the heaters, allowing heat to circulate.
4. Check door clearances, making necessary adjustments before laying the flooring. Door moldings (jamb) should be undercut to accommodate the thickness of the flooring and foam underlayment.
5. Install underlayment per manufacturer's instructions.

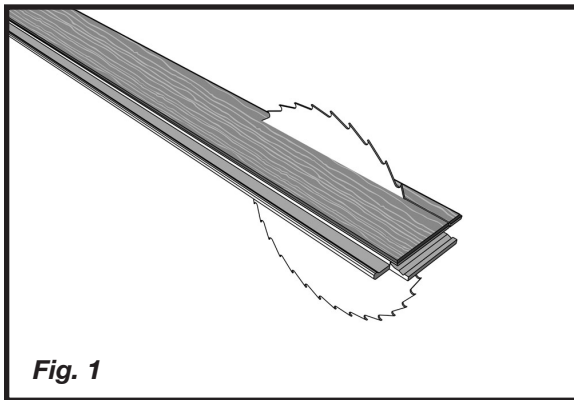
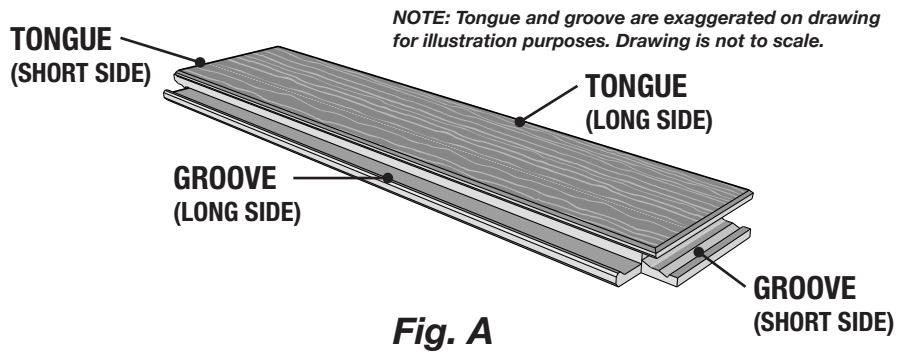
FOLLOW THESE STEPS TO INSTALL YOUR NEW FLOORING:

RECOMMENDED TOOLS:

- **Laminate installation kit (including spacers, tapping block, pull bar)**
- **Premium grade laminate flooring underlayment**
- **Hammer**
- **Table or hand saw**
- **Carbide tipped circular saw blades**
- **Tape measure**
- **Duct tape**
- **Age-resistant, non-permeable polyethylene vapor barrier (0.0008" or 0.20mm) for installation over concrete**
- **Safety glasses**
- **Gloves**

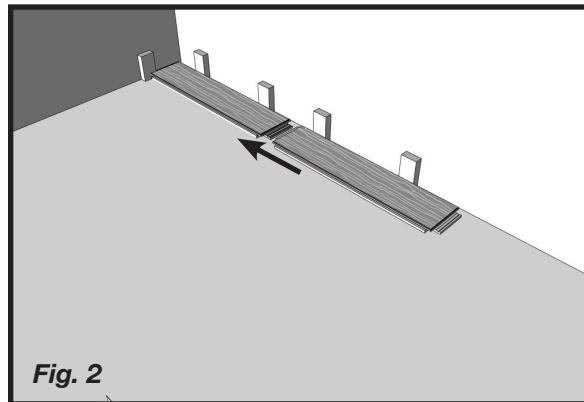
Safety Caution: use safety glasses and gloves when cutting this product. During the cutting process, laminate may create wood dust; be sure to install in a well-ventilated area.

It is important to understand the parts of the plank to ensure proper installation:



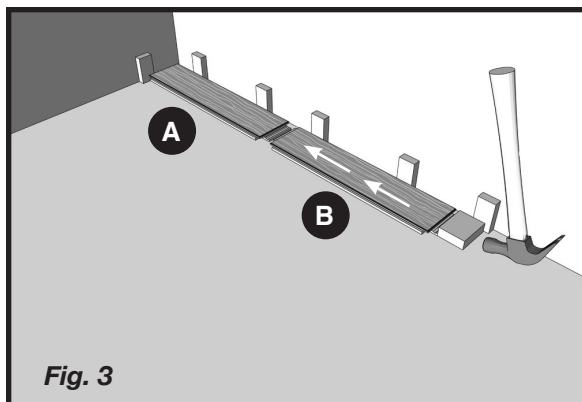
STEP 1

Prepare planks for first row installation. Using a carbide-tipped circular saw blade, remove the tongue on the planks adjacent to the wall, allowing room for spacers (as shown in fig 2). Be sure to cut the TONGUE side (see fig A).



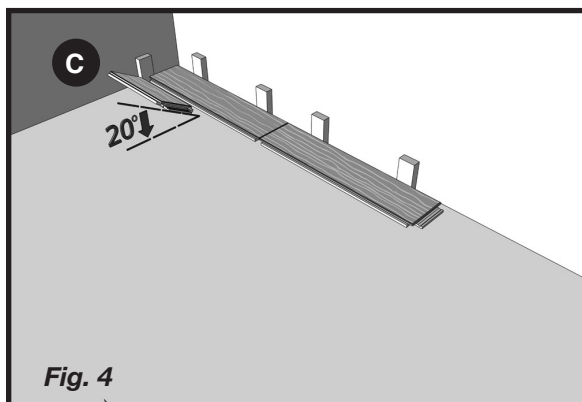
STEP 2

Begin laying planks left to right, placing 5/16" spacers between the wall and the planks on either side of the joint. Be sure to place the cut tongue side against the wall as shown in illustration.



STEP 3

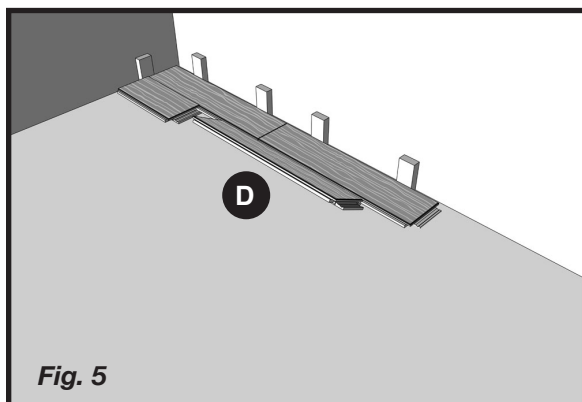
Using the laminate flooring tapping block included in the kit, gently tap second plank against the short side, joining plank A and plank B.



STEP 4 - fig. 4

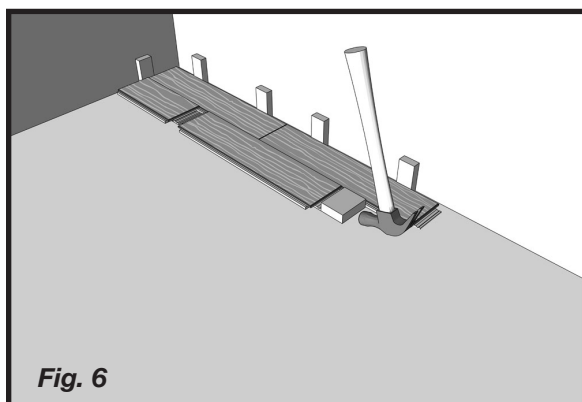
Begin installing the second row by angling the plank (plank C) to allow the tongue to slip into the groove of the plank in row 1. Push the plank down flat to the floor until it clicks into place. Do not force the plank closed as doing so can damage the joint.

IMPORTANT: never tap the long end of the plank as doing so can damage the joint.



STEP 5 - fig. 5

The next plank(plank D) should be installed in the same way but with the tongue on the left side of the plank falling just next to the previous plank. Push plank down flat to the floor as in step 4.



STEP 6 - fig. 6

Once plank is flat, gently tap in the second plank against the short side of plank C, joining plank B and C (Fig. 5b)

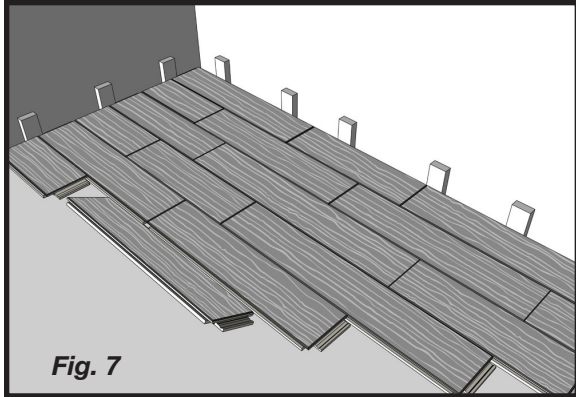


Fig. 7

STEP 7 -fig. 7

Continue laying the floor from left to right in the manner described in steps 2-5.

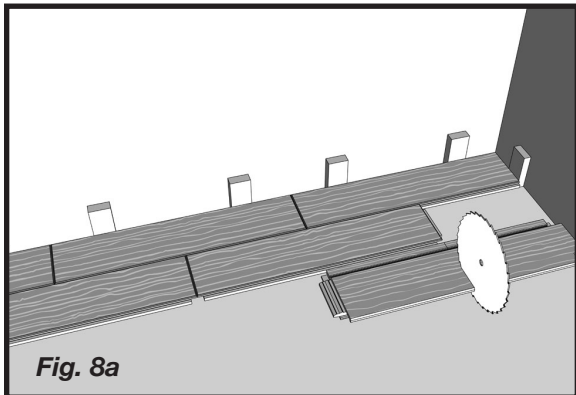


Fig. 8a

FINISHING A ROW

STEP 1 - Fig. 8a

When you come to the end of a row, you will need to cut the plank to complete the row. Flip a full sized plank over so that the tongue end points toward the wall, preserving the joint so that it can be inserted once cut. Mark where the plank should be cut, and cut with the décor side down. **If the remaining cut board is greater than 16" long, it can be used start the next row.**

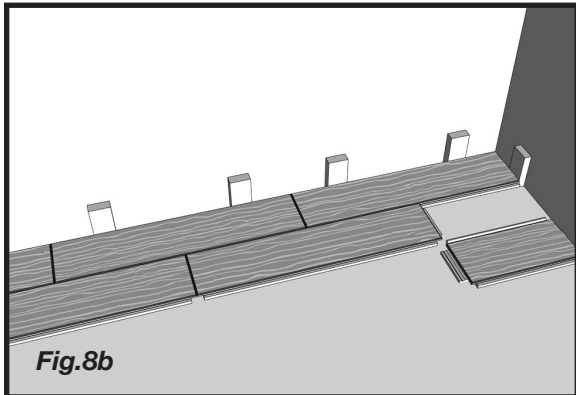


Fig.8b

STEP 2 - Fig. 8B

Flip the plank back over so that the tongue faces the groove of the adjacent plank; install as shown in Fig. 5.

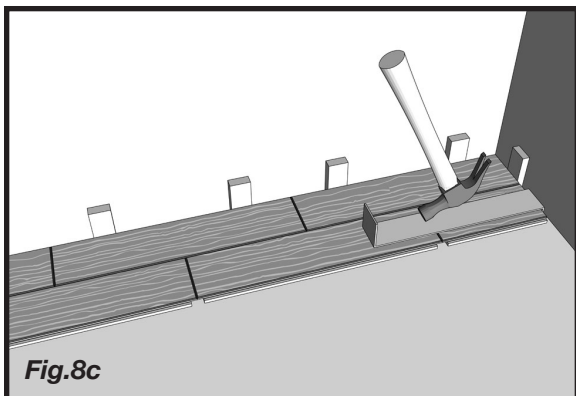


Fig.8c

STEP 3 - Fig. 8C

Because there is not enough space for a tapping block, tap the two sides together using a pull bar as shown in Fig. 9.

IMPORTANT: Do not use the leftover portion of this plank in the next row if it is less than 16" long.

INSTALLING AROUND OBSTACLES:

In difficult to fit areas, such as door moldings, remove the lip on the groove edge of the planks you are fitting into. This can be done by lightly sanding or planing off the lip on the groove side of the plank, allowing the plank to be installed laying flat. Once the lip has been trimmed on the plank being fitted to, lay the plank flat on the floor. Apply a thin bead of PVAc-D3 laminate glue on the top of the tongue. Then push the plank into position. Once the plank is positioned, wipe off excess glue with a damp cloth and warm water.

FINAL INSTALLATION:

Remove the spacers placed along the perimeter of the room. To cover the expansion space, install moldings around the perimeter of the room. Be sure to fasten the molding into the wall, not through the flooring. Quarter-rounds should be pre-drilled before nailing them to the wall.

Felt protection pads should be placed under furniture legs or other heavy objects to be left in place for a long period of time. Do not drag or pull heavy furniture, as doing so will damage the floor.

CARE OF LAMINATE FLOORING:

Vacuum Regularly – vacuum using a soft bristle brush attachment only. Placing long bristle mats at all outside entrances is recommended.

Light Damp Mop – laminate floors may be lightly damp mopped when needed. Avoid standing water as it can cause the joints between the planks to lift.

Use Floor Protectors on Furniture – Furniture legs can scratch your floors. Any furniture that rests directly on top of a laminate floor should have floor protector or wide furniture coasters under all feet.

Don't Use Oil Soaps or wax-based cleaning products – these products will leave a dull finish on your floor. Use a floor cleaner formulated for cleaning laminate flooring.

Don't Use Steam or Wet Jet mops – these products will drive moisture into the joints, causing the planks to lift.

Trim Pets' Claws – Pets' claws may scratch the surface if they are not trimmed regularly.

Wipe Spills Immediately – when liquids get spilled on your laminate floor use a slightly damp white cloth, or paper towel to immediately blot up and dry the effected area. For more difficult spots, mix 1 gallon of water with 1 cup of vinegar or ½ cup of ammonia.