

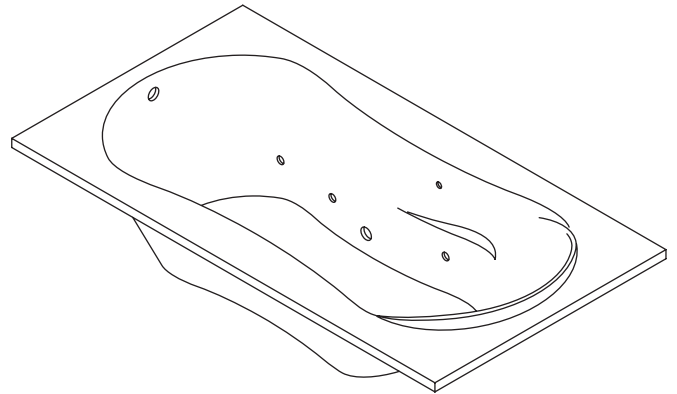
### Features

- Acrylic
- Drop-in or three-wall alcove
- 1.25 hp pump with air switch and grounding-type plug-in cord
- 6 individually adjustable ProFlex® hydro-massage jets
- In-line heater
- Molded lumbar supports and armrests
- Optional K-1283 removable apron
- Optional K-9696 whirlpool trim kit in various finishes
- Optional K-1717 ProFlex® 20-minute timer kit
- 72" (182.9 cm) x 36" (91.4 cm) x 20-1/8" (51.1 cm)

### ACRYLIC BATH WHIRLPOOL WITH HEATER

## K-1157-H

### ALSO K-1157-LH/-RH



### Codes/Standards Applicable

Specified model meets or exceeds the following:

- ASME A112.19.7M
- ANSI Z124.1.2
- IAPMO/UPC
- Underwriters Laboratories (UL)

### Colors/Finishes

- 0: White
- Other: Refer to Price Book for additional colors/finishes

### Accessories

- 0: White
- CP: Polished Chrome
- PB: Vibrant® Polished Brass
- NA: None applicable
- Other: Refer to Price Book for additional colors/finishes

### Specified Model

Model	Description	Colors/Finishes	
K-1157-H	Bath whirlpool, drop-in (shown)	<input type="checkbox"/> 0	<input type="checkbox"/> Other_____
K-1157-LH	Bath whirlpool, left drain hole, tile flange	<input type="checkbox"/> 0	<input type="checkbox"/> Other_____
K-1157-RH	Bath whirlpool, right drain hole, tile flange	<input type="checkbox"/> 0	<input type="checkbox"/> Other_____

Recommended Accessories			
K-7213	Cable drain with PVC tubing <b>OR</b>	<input type="checkbox"/> CP	<input type="checkbox"/> Other_____
K-7214	Cable drain without PVC tubing <b>OR</b>	<input type="checkbox"/> CP	<input type="checkbox"/> Other_____
K-11677	Trip lever drain	<input type="checkbox"/> CP	<input type="checkbox"/> PB

### Product Specification

The acrylic bath whirlpool shall be 72" (182.9 cm) in length, 36" (91.4 cm) in width, and 20-1/8" (51.1 cm) in height. Bath whirlpool shall be for drop-in or three-wall alcove installation. Bath whirlpool shall have 6 individually adjustable ProFlex hydro-massage jets, a 1.25 hp pump with air switch and grounding-type plug-in cord and an in-line heater. Bath whirlpool shall have molded lumbar supports and armrests. Bath whirlpool shall have an optional K-1283 separate apron, an optional K-1717 20-minute timer kit, and an optional K-9696 jet trim kit. Bath whirlpool shall be Kohler Model K-1157-\_\_\_\_\_-\_\_\_\_\_.

# PROFLEX® 7236

## Optional Accessories

K-1283	Separate apron with removable panel for front access	<input type="checkbox"/> 0	<input type="checkbox"/> Other_____
K-1717	ProFlex® 20-minute timer kit		<input type="checkbox"/> NA
K-9696	Jet trim kit (metal finishes)	<input type="checkbox"/> CP	<input type="checkbox"/> PB
			<input type="checkbox"/> Other_____

## Technical Information

Fixture*:	
Basin area:	
Bathing well	55" (139.7 cm) x 21" (53.3 cm)
Top area	65" (165.1 cm) x 26" (66 cm)
To overflow:	
Water depth	15" (38.1 cm)
Capacity	72 gal (272.5 L)
Weight	71 lbs (32.2 kg)
Drop-in cut-out	70-1/2" (179.1 cm) x 34-1/2" (87.6 cm)
* Approximate measurements for comparison only.	

Pump:	Hp	V	Hz	A
1-speed	1.25	120	60	7.5
Heater:	kW	V	Hz	A
	1.5	120	60	12.5

## Required Electrical Service

Two dedicated circuits required, each protected with Class A Ground-Fault Circuit-Interrupter (GFCI):

Pump/control	120 V, 15 A, 60 Hz
Heater:	120 V, 15 A, 60 Hz

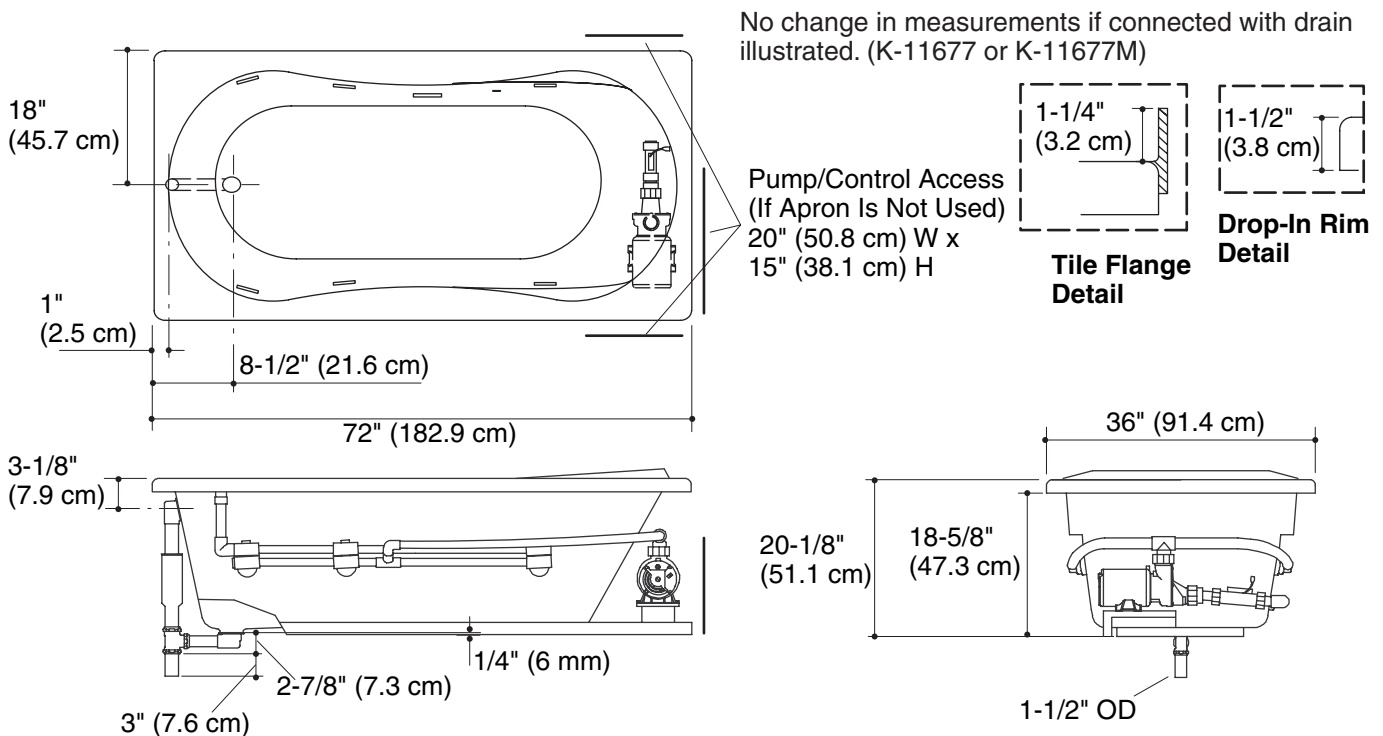
Locate the outlets behind the whirlpool and within 24" (61 cm) of the pump.

## Installation Notes

Install this product according to the installation guide.

Floor support under whirlpool must provide for a minimum of 39 lbs/square foot (189 kg/square meter) loading.

The apron must be installed before the finished floor and wall materials are installed.



## Product Diagram