

DUSK-TO-DAWN

SPEC SHEET



This LED Area and Wall Light with NEMA twist-lock Dusk to Dawn photocell offers the latest in LED performance technology with a pro-grade security solution that provides an automatic nighttime 'ON' and daytime 'OFF' mode. The fixture's 8,500 lumens brightly illuminates a wide area glare-free, saves 85% on energy costs, is maintenance-free, and never requires a single bulb change.

LED TECHNOLOGY LIGHTING PERFORMANCE

LUMENS (LIGHT OUTPUT)	7000
WATTAGE	55W
MOUNTING	Wall/Post Mount, Extension Arm
FREQUENCY	50-60 HZ
THD	<20%
PF	>0.9
AMBIENT OPERATING RANGE	-30-40°C
INPUT VOLTAGE	120-277V
EFFICACY	122 LM/W
LED CHIP	Lumileds 3030*
DRIVER	YG* driver technology
PHOTOCELL	Yes, 3-Pin 120-277V NEMA
DRIVER EFFICIENCY	>85%
STANDARD LIFETIME	>50,000 hours
STANDARD WARRANTY	5 Years
WATER PROOFING GRADE	IP65
WEIGHT	3.7 lbs (less arm)
CCT	4000 Kelvin
DIMENSIONS	7.3" x 15.04" x 9.1"

LIGHT APPEARANCE (CCT)

PRODUCT PERFORMANCE AT A GLANCE

SYSTEM WATTAGE	LED WATTAGE	LUMENS	LP/W	CRI	REPLACES (MH)
55W	50W	7000 lm	128 lm/w	≥70	175W

HOUSING

One piece die cast aluminum housing with integral arm mounting hub that can be direct mounted with lag bolts or onto 1 1/2" O.D. mounting arm.

IP RATING & LISTINGS

LED light engine is weather proof rated IP65.

DLC Premium, cULus, FCC Certified

OPTICS

Refractive design featuring prisms to spread light in a symmetrical Type 5 distribution.

Frosted lens eliminates glare for an inviting light source.

MOUNTING

Fixture mounts to vertical surface using 1/4" lag bolts or easily fits onto 1-1/2" O.D. round pipe/tube. Direct mount and round pipe mounting hardware provided as standard. Extension mounting arm available separately as an accessory.

ACCESSORIES

24" Extension Arm Mount – Model ARM24-SLV

FINISH

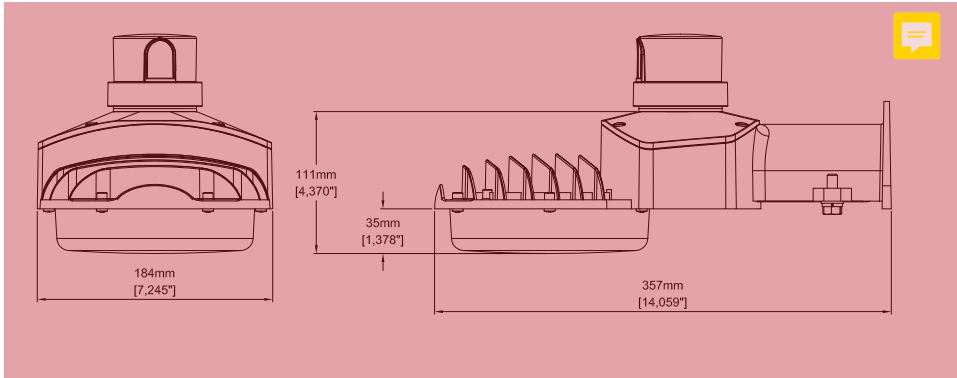
Fade, weather, and abrasion resistant, electrostatically applied, thermally cured, triglycidal isocyanurate (TGIC) textured polyester powdercoat finish. Paint is smooth gray.

APPLICATION

From barns, garages, to roadways, the Astra 75 is designed to easily be installed anywhere requiring wide and uniform light coverage.

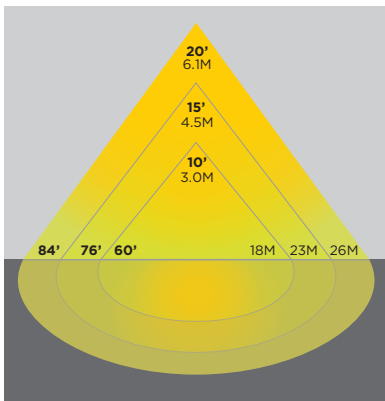
*All results according to IESNA - LM79-2008
*Light Output reported as total integrated lumens (light source & fixture)

PRODUCT LINE DRAWING



SUGGESTED MOUNTING HEIGHT:
12-20FT. (3.7-6.1M)

3D PHOTOMETRIC VIEW



APPLICATIONS

