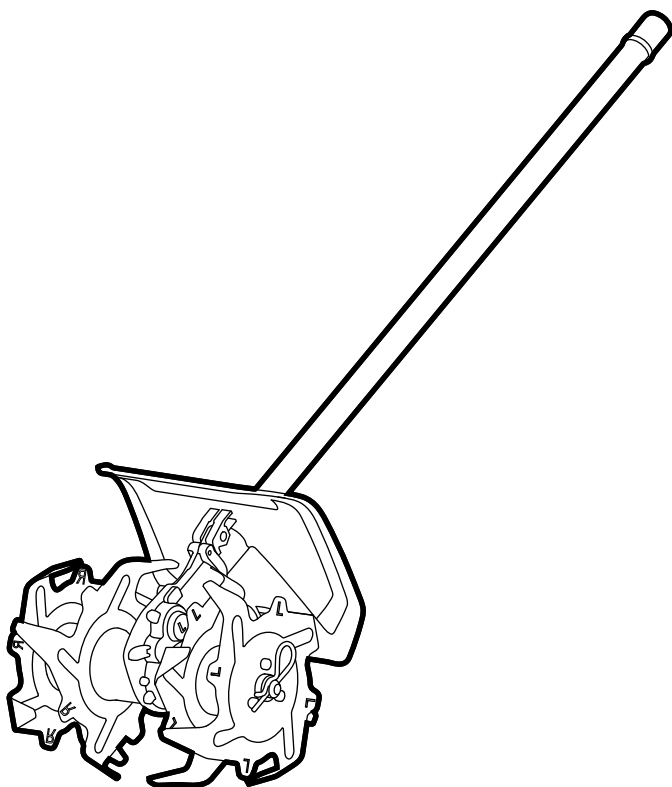


EGO™



EXCLUSIVELY FOR USE WITH
EGO POWER+ POWER HEAD
PH1400/PH1400-FC

OPERATOR'S MANUAL

Français p. 31

Español p. 63

CULTIVATOR ATTACHMENT

MODEL NUMBER CTA9500/CTA9500-FC

⚠ WARNING: To reduce the risk of injury, the user must read and understand the Operator's Manual before using this product. Save these instructions for future reference.

TABLE OF CONTENTS

Safety Symbols	4
Safety Instructions.....	5-11
Introduction	12
Specifications	12
Packing List	12
Description	13-14
Assembly	15-18
Operation	19-21
Maintenance	22-26
Troubleshooting	27-28
Warranty	29-30

READ ALL INSTRUCTIONS!



READ & UNDERSTAND
OPERATOR'S MANUAL

⚠ WARNING: Some dust created by power sanding, sawing, grinding, drilling and other construction activities contains chemicals known to the state of California to cause cancer, birth defects or other reproductive harm. Some examples of these chemicals are:

- Lead from lead - based paints
- Crystalline silica from bricks and cement and other masonry products, and
- Arsenic and chromium from chemically - treated lumber.

Your risk from these exposures varies, depending on how often you do this type of work. To reduce your exposure to these chemical: work in a well ventilated area, and work with approved safety equipment, such as those dust masks that are specially designed to filter out microscopic particles.

SAFETY SYMBOLS

The purpose of safety symbols is to attract your attention to possible dangers. The safety symbols and the explanations with them deserve your careful attention and understanding. The symbol warnings do not, by themselves, eliminate any danger. The instructions and warnings they give are no substitutes for proper accident prevention measures.

⚠ WARNING: Be sure to read and understand all safety instructions in this Operator's Manual, including all safety alert symbols such as **"DANGER," "WARNING,"** and **"CAUTION"** before using this tool. Failure to following all instructions listed below may result in electric shock, fire, and/or serious personal injury.

SYMBOL MEANING

⚠ SAFETY ALERT SYMBOL: Indicates **DANGER, WARNING, OR CAUTION.** May be used in conjunction with other symbols or pictographs.





⚠ WARNING! The operation of any power tools can result in foreign objects being thrown into your eyes, which can result in severe eye damage. Before beginning power tool operation, always wear safety goggles or safety glasses with side shield and a full face shield when needed. We recommend a Wide Vision Safety Mask for use over eyeglasses or standard safety glasses with side shields. Always use eye protection which is marked to comply with ANSI Z87.1.

SAFETY INSTRUCTIONS

This page depicts and describes safety symbols that may appear on this product. Read, understand, and follow all instructions on the machine before attempting to assemble and operate it.

	<p>Safety Alert</p>	<p>Indicates a potential personal injury hazard.</p>
	<p>Read & Understand Operator's Manual</p>	<p>To reduce the risk of injury, user must read and understand the operator's manual before using this product.</p>
	<p>Wear Eye Protection</p>	<p>Always wear safety goggles or safety glasses with side shields when operating this product.</p>
	<p>Wear Protective Gloves</p>	<p>Protect your hands with gloves when handling blades. Heavy-duty, nonslip gloves improve your grip and protect your hands.</p>
	<p>Ricochet</p>	<p>Thrown objects can ricochet and result in personal injury or property damage.</p>
	<p>Keep Hands and Feet Away</p>	<p>Never attempt to operate this product with one hand. Loss of control of this product resulting in serious or fatal injury may result. To reduce the risk of cut injuries, keep hands and feet away from the rotating blades. Never touch the rotating blades with your hand or any other part of your body.</p>

	Danger - Electric Shock	To reduce the risk of electrocution, ensure that there are no buried power cables that may be carrying electric current that could come into contact with the working tool. Damaging such cables with the tool can cause electric shocks with serious or fatal consequences.
	Recycle Symbols	This product uses lithium-ion (Li-ion) batteries. Local, state, or federal laws may prohibit disposal of batteries in ordinary trash. Consult your local waste authority for information regarding available recycling and/or disposal options.
IPX4	Ingress Protection Degree	Protection from splashing water
V	Volt	Voltage
mm	Millimeter	Length or size
in.	Inch	Length or size
kg	Kilogram	Weight
lb	Pound	Weight

GENERAL BATTERY-OPERATED POWER TOOL SAFETY WARNINGS

⚠ WARNING! Read all safety warnings, instructions, illustrations and specifications provided with this power tool. Failure to follow all instructions listed below may result in electric shock, fire and/or serious injury.

Save all warnings and instructions for future reference.

WORK AREA SAFETY

- **Keep work area clean and well lit.** Cluttered or dark areas invite accidents.
- **Do not operate power tools in explosive atmospheres, such as in the presence of flammable liquids, gases or dust.** Power tools create sparks which may ignite the dust or fumes.
- **Keep children and bystanders away while operating a power tool.** Distractions can cause you to lose control.

PERSONAL SAFETY

- **Stay alert, watch what you are doing and use common sense when operating a power tool. Do not use a power tool while you are tired or under the influence of drugs, alcohol or medication.** A moment of inattention while operating power tools may result in serious personal injury.
- **Always use personal protective equipment.** Personal protective equipment such as eye protection, dust mask, non-skid safety shoes, hard hat and/or hearing protection used for appropriate conditions will reduce personal injuries.
- **Prevent unintentional starting. Ensure the switch is in the off-position before connecting to the battery pack, picking up or carrying the tool.** Carrying power tools with your finger on the switch or energizing power tools that have the switch on invites accidents.
- **Remove any adjusting key or wrench before turning the power tool on.** A wrench or a key left attached to a moving part of the power tool may result in personal injury.
- **Do not overreach. Keep proper footing and balance at all times.** This enables better control of the power tool in unexpected situations.
- **Dress properly. Do not wear loose clothing or jewelry. Keep your hair and clothing away from moving parts.** Loose clothes, jewelry or long hair can be caught in moving parts.

- **If devices are provided for the connection of dust extraction and collection facilities, ensure these are connected and properly used.** Use of dust collection can reduce dust-related hazards.
- **Do not let familiarity gained from frequent use of tools allow you to become complacent and ignore tool safety principles.** A careless action can cause severe injury within a fraction of a second.

POWER TOOL USE AND CARE

- **Do not force the power tool. Use the correct power tool for your application.** The correct power tool will do the job better and safer at the rate for which it was designed.
- **Do not use the power tool if the switch does not turn it on and off.** Any power tool that cannot be controlled with the switch is dangerous and must be repaired.
- **Remove the battery pack, if detachable, from the power tool and/or activate any battery disabling device before clearing jammed material, making any adjustments, changing accessories, cleaning, or storing power tools.** Such preventive safety measures reduce the risk of starting the power tool accidentally.
- **Store idle power tools out of the reach of children and do not allow persons unfamiliar with the power tool or these instructions to operate the power tool.** Power tools are dangerous in the hands of untrained users.
- **Maintain power tools and accessories. Check for misalignment or binding of moving parts, breakage of parts and any other condition that may affect the power tool's operation. If damaged, have the power tool repaired before use.** Many accidents are caused by poorly maintained power tools and accessories.
- **Keep cutting tools sharp and clean.** Properly maintained cutting tools with sharp cutting edges are less likely to bind and are easier to control.
- **Use the power tool, accessories, tool bits, etc. in accordance with these instructions, taking into account the working conditions and the work to be performed.** Use of the power tool for operations different from those intended could result in a hazardous situation.
- **Keep handles and grasping surfaces dry, clean and free from oil and grease.** Slippery handles and grasping surfaces may lead to unsafe handling and/or loss of control of the tool.

- **Keep cables away from the working area of the tool.** During operation cables may be hidden from view and can be accidentally damaged by the tool.

BATTERY TOOL USE AND CARE

- **Recharge only with the charger specified by the manufacturer.** A charger that is suitable for one type of battery pack may create a risk of fire when used with another battery pack. Use only with the battery packs and chargers listed below.

BATTERY PACK	CHARGER
BA1120, BA1120-FC, BA1400, BA1400-FC, BA2240, BA2240-FC, BA2800, BA2800-FC, BA4200, BA4200-FC, BA1400T, BA1400T-FC, BA2800T, BA2800T-FC, BA4200T, BA4200T-FC	CH2100, CH2100-FC, CH5500, CH5500-FC

- **Use power tools only with specifically designated battery packs.** Use of any other battery packs may create a risk of injury and fire.
- **When battery pack is not in use, keep it away from other metal objects, like paper clips, coins, keys, nails, screws or other small metal objects, that can make a connection from one terminal to another.** Shorting the battery terminals together may cause burns or a fire.
- **Under abusive conditions, liquid may be ejected from the battery; avoid contact. If contact accidentally occurs, flush with water. If liquid contact eyes, additionally seek medical help.** Liquid ejected from the battery may cause irritation or burns.
- **Do not use a battery pack or tool that is damaged or modified.** Damaged or modified batteries may exhibit unpredictable behavior resulting in fire, explosion or risk of injury.
- **Do not expose a battery pack or tool to fire or excessive temperature.** Exposure to fire or temperature above 212 °F (100°C) may cause explosion.
- **Follow all charging instructions and do not charge the battery pack or tool outside the temperature range specified in the instructions.** Charging improperly or at temperatures outside the specified range may damage the battery and increase the risk of fire.

SERVICE

- **Have your power tool serviced by a qualified repair person using only identical replacement parts.** This will ensure that the safety of the power tool is maintained.
- **Never service damaged battery packs.** Service of battery packs should only be performed by the manufacturer or authorized service providers.

SAFETY INSTRUCTIONS FOR CULTIVATOR

- **Keep hands away from blades.**
- Do not use near underground electric cables, telephone lines, pipes, or hoses. If in doubt, contact your utility or telephone company to locate underground services.
- Rotating blades can cause severe injury, keep all body parts away from rotating blades.
- Use extreme caution when reversing or pulling the machine towards you.
- If the cultivator should start to vibrate abnormally or become noisy, stop the motor and check immediately for the cause. Abnormal noise is generally a warning of trouble.
- Keep all fasteners tight to be sure the cultivator is in safe working condition.
- Check that the hitch pins are fully inserted on the blade shaft before each use.
- Do not operate power equipment after it has been dropped or damaged. Return it to your nearest authorized servicing dealer for inspection and repair.
- Make sure all proper guards and other safety devices are properly and securely attached before using this product.
- Be extremely careful when tilling in hard ground. The blades could catch in the ground and propel the cultivator forward.
- Do not overload the capacity of the machine by attempting to till too deep at too fast a speed.
- Inspect the area where the equipment is to be used and remove all foreign objects.
- **Do not charge the battery pack in rain, or in wet locations.**
- **Do not dispose of the battery in a fire.** The cells may explode. Check with local codes for possible special disposal instructions.
- **Do not open or mutilate the battery.** Released electrolyte is corrosive and may cause damage to the eyes or skin. It may be toxic if swallowed.

- **Battery tools do not have to be plugged into an electrical outlet; therefore, they are always in operating condition.** Be aware of possible hazards even when the tool is not operating. Take care when performing maintenance or service.
- **Do not wash with a hose; avoid getting water in motor and electrical connections.**
- **If situations occur that are not covered in this manual, use care and good judgment. Contact the EGO Customer Service Center for assistance.**
- **SAVE THESE INSTRUCTIONS.** Refer to them frequently and use them to instruct others who may use this tool. If you lend this tool to someone else, also lend these instructions to them to prevent misuse of the product and possible injury.

NOTE: SEE YOUR POWER HEAD OPERATOR'S MANUAL FOR ADDITIONAL, SPECIFIC SAFETY RULES.



INTRODUCTION

Congratulations on your selection of the EGO CULTIVATOR ATTACHMENT. It has been designed, engineered and manufactured to give you the best possible dependability and performance.

Should you experience any problem you cannot easily remedy, please contact EGO customer service center 1-855-EGO-5656.

This manual contains important information on the safe assembly, operation and maintenance of your product. Read it carefully before using the product. Keep this manual handy so you can refer to it at any time.

SERIAL NUMBER _____ DATE OF PURCHASE _____
YOU SHOULD RECORD BOTH SERIAL NUMBER AND DATE OF PURCHASE AND KEEP THEM IN A SAFE PLACE FOR FUTURE REFERENCE

SPECIFICATIONS

Blade Size	8-1/2" (215 mm)
Tilling Depth	8-1/2" (215 mm)
Tilling Width	9-1/2" (240 mm)
Operating Temperature	32°F-104°F(0°C-40°C)
Storage Temperature	-4°F-158°F(-20°C-70°C)
Weight (including the guard)	8.6 lbs(3.9 kg)

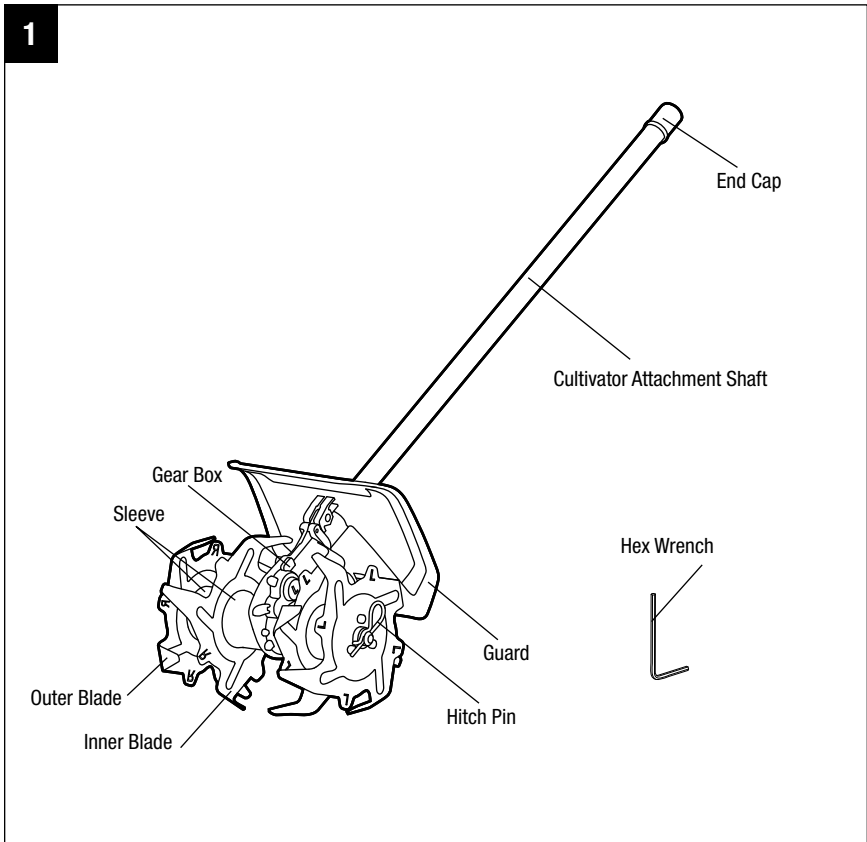
PACKING LIST

PART NAME	QUANTITY
Cultivator Attachment	1
Guard (with bolt)	1
Hex Wrench	1
Operator's Manual	1

DESCRIPTION

KNOW YOUR CULTIVATOR ATTACHMENT (Fig.1)

The safe use of this product requires an understanding of the information on the tool and in this operator's manual, as well as knowledge of the project you are attempting. Before using this product, familiarize yourself with all operating features and safety rules.



⚠ WARNING: Never operate the tool without the guard firmly in place. The guard must always be on the tool to protect the user.

END CAP

Protects shaft from the intrusion of dirt and debris when the cultivator is not in use.

GUARD

Reduces the risk of injury from foreign objects that are flung backwards toward the operator and from contact with the blades.

HITCH PIN

Secures the blades and simplifies removal and installation of the blades.

SLEEVES

Four sleeves help to prevent or reduce grass intertwining on the drive shaft.

INNER BLADES

Metal blades with curved tines facing in two directions.

OUTER BLADES

Metal blades with curved tines all facing in the same direction.

HEX WRENCH

To lock/unlock the hex head screw of the guard or the blades.

ASSEMBLY

⚠ WARNING: If any parts are damaged or missing, do not operate this product until the parts are replaced. Use of this product with damaged or missing parts could result in serious personal injury.

⚠ WARNING: Do not attempt to modify this product or create accessories not recommended for use with this product. Any such alteration or modification is misuse and could result in a hazardous condition leading to possibly serious personal injury.

⚠ WARNING: Always wear heavy gloves when installing or removing the blade or doing any maintenance on the blade. Be careful of the blade and protect your hands from being injured by the blade.

⚠ WARNING: Do not connect the cultivator to the power head until assembly is complete. Failure to comply could result in accidental starting and possible serious personal injury.

UNPACKING

- This product requires assembly.
- Carefully remove the product and any accessories from the box. Make sure that all items listed in the packing list are included.

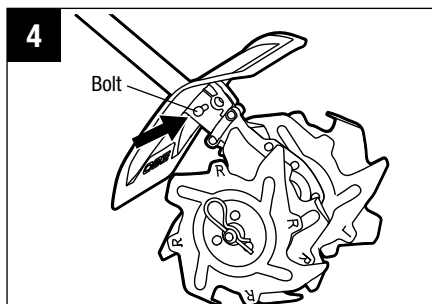
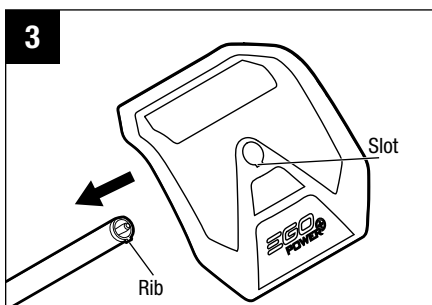
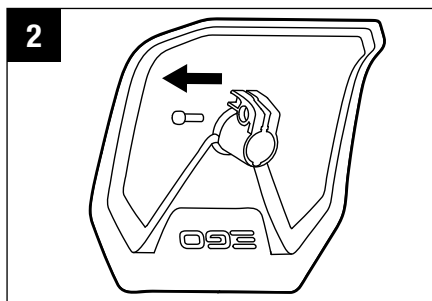
⚠ WARNING: Do not use this product if any parts on the packing list are already assembled to your product when you unpack it. Parts on this list are not assembled to the product by the manufacturer and require customer installation. Use of a product that may have been improperly assembled could result in serious personal injury.

- Inspect the tool carefully to make sure that no breakage or damage occurred during shipping.
- Do not discard the packing material until you have carefully inspected and satisfactorily operated the tool.
- If any parts are damaged or missing, please return the product to the place of purchase.

MOUNTING THE GUARD

⚠ WARNING: Install the guard before the cultivator attachment is connected to the power head.

1. Loosen and remove the bolt from the guard with the supplied hex wrench (Fig. 2).
2. Lift the cultivator attachment shaft and remove the end cap from the shaft.
3. With the slot in the guard aligned with the rib on the end of the shaft, pass the guard through the shaft until the screw holes in the guard and in the shaft are aligned (Fig. 3 & 4).
4. Use the supplied hex wrench to tighten the bolt clockwise to lock the guard securely.



CONNECTING THE CULTIVATOR ATTACHMENT TO THE POWER HEAD

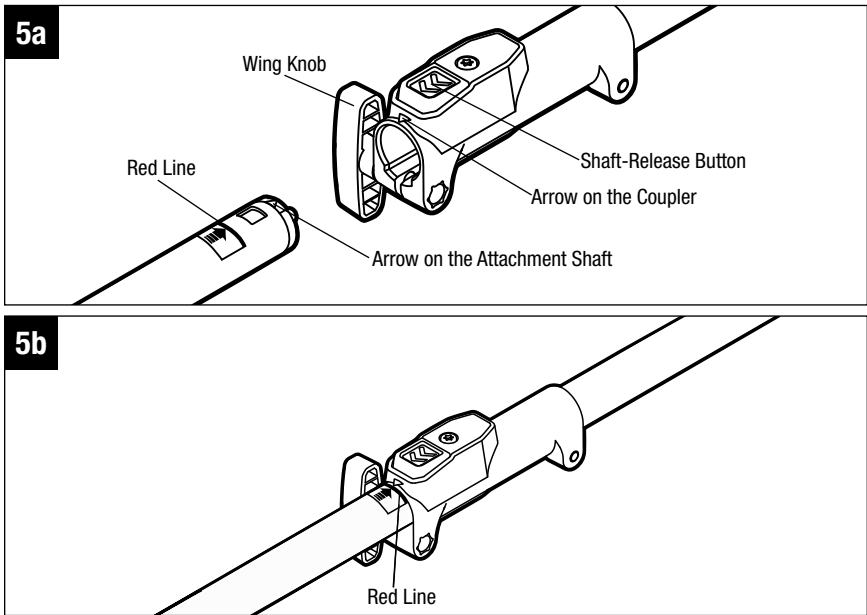
⚠ WARNING: Never attach or adjust any attachment while the power head is running or with the battery installed. Failure to stop the motor and remove the battery may cause serious personal injury.

This cultivator attachment is designed for use with EGO Power Head PH1400/PH1400-FC.

The cultivator attachment connects to the power head by means of a coupler device.

1. Stop the motor and remove the battery pack.
2. Loosen the wing knob on the power head coupler.
3. If the end cap is on the attachment shaft, remove it and save it in a safe place for later use. Align the arrow on the cultivator shaft with the arrow on the coupler (Fig. 5a) and push the cultivator shaft into the coupler until you hear a clear “CLICK” sound. The coupler should be positioned all the way to the **RED LINE** labeled on the shaft: red line mark must be flush with the coupler edge (Fig. 5b).
4. Pull on the shaft of the cultivator attachment to verify that it is securely locked into the coupler. If not, rotate the cultivator shaft from side to side in the coupler until a clear “CLICK” sound indicates that it is engaged.
5. Tighten the wing knob securely.

⚠ WARNING: Be certain the wing knob on the coupler is fully tightened before operating the equipment; check it periodically for tightness during use to avoid serious personal injury.



REMOVING THE ATTACHMENT FROM THE POWER HEAD

1. Stop the motor and remove the battery pack.
2. Loosen the wing knob.
3. Press the shaft-release button and, with the button depressed, pull or twist the cultivator attachment shaft out of the coupler to separate it from the power head.

OPERATION

⚠ WARNING: Do not allow familiarity with this product to make you careless. Remember that a careless fraction of a second is sufficient to inflict serious injury.

⚠ WARNING: Always wear eye protection that is marked to comply with ANSI Z87.1. Failure to do so could result in objects being thrown into your eyes and other possible serious injuries.

⚠ WARNING: Do not use any attachments or accessories not recommended by the manufacturer of this product. The use of attachments or accessories not recommended can result in serious personal injury.

APPLICATIONS

You may use this product for the purpose listed below:

- Breaking up garden soil to prepare seed beds for re-planting.
- Shallow cultivating to uproot weeds or loosen soil around plants, making it easier for the air or water to penetrate deep into the soil.
- Top dressing soil with compost, leaves or other organic fertilizers. Shallow cultivation will loosen the top crust of soil and integrate the added nutrients.
- Trenching or furrowing in loosened soil.

NOTICE: To avoid any damage to the cultivator or trees, take care not to catch the blades on large roots of trees. Avoid cultivating too deeply, as this could damage the shallow roots of some plants.

USING THE CULTIVATOR ATTACHMENT WITH POWER HEAD

⚠ WARNING: Dress properly to reduce the risk of injury when operating this tool. Do not wear loose clothing or jewelry. Wear eye protection. Wear heavy, long pants, boots, and gloves. Do not wear short pants or sandals or go barefoot.

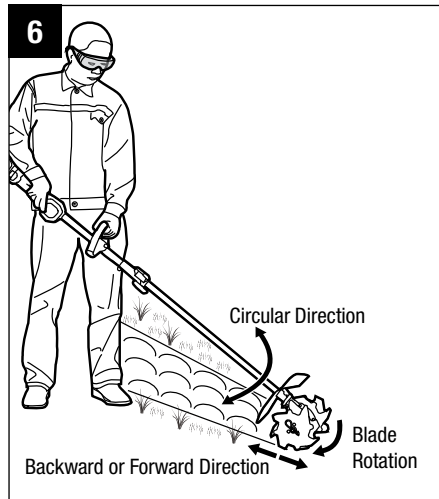
Hold the cultivator with one hand on the rear handle and the other hand on the front-assist handle. Keep a firm grip with both hands while operating the cultivator. The cultivator should be held at a comfortable position, with the rear handle about hip height.

Maintain your grip, and balance on both feet (Fig. 6).

You can work moving the cultivator forward or backward, from left to right, right to left, or in a circular motion. Choose the best method to suit your purpose, which will depend on the shape and size of the area and soil conditions.

Working in an alternating backward and forward motion is particularly suitable for loosening packed soil.

When trenching or furrowing, walk slowly backward and pull the cultivator to create the furrow. Repeat as necessary to obtain deeper furrows.



NOTICE: Pulling the cultivator carefully toward you while it is digging into the soil will reduce your effort and make the tilling easier.

Thrown materials may seriously injure the operator or bystander. To reduce the risk of personal injury, it is essential to take the following precautions:

- Inspect and clear the area of any hidden objects such as glass, stones, rocks, concrete, fence wire, pieces of metal, etc., which can be thrown or entangled in the blades. Avoid contact with hard or solid foreign objects.
- Inspect the blades regularly and often for signs of damage or after hitting a hard object. Do not continue working with a damaged blade.
- Always hold the cultivator with both hands when operating. Use a firm grip on both handles.
- Move the cultivator to the work area before starting and start the cultivator at a lower speed.

Before each use check for damaged and/or worn parts

Check the blades, guard, and front-assist handle and replace any parts that are cracked, warped, bent, or damaged in any way.

⚠ WARNING: Always wear heavy gloves when installing or removing the blades. Be careful of the blades and protect your hands from being injured by the blades.

Clean the cultivator after each use

See the maintenance section for cleaning instructions.

⚠ WARNING: Ensure the blades have come to a complete stop and the battery is removed before cleaning or servicing the cultivator. Failure to comply could result in possibly serious personal injury.

TO START/STOP THE TOOL

See "**STARTING/STOPPING THE POWER HEAD**" section in the power head PH1400/PH1400-FC operator's manual.

MAINTENANCE

⚠ WARNING: When servicing, use only identical replacement parts. Use of any other parts may create a hazard or cause product damage. To ensure safety and reliability, all repairs should be performed by a qualified service technician.

⚠ WARNING: Battery tools do not have to be plugged into an electrical outlet; therefore, they are always in operating condition. To prevent serious personal injury, take extra precautions and care when performing maintenance, service or for changing the cutting attachment or other attachments.

⚠ WARNING: To prevent serious personal injury, remove the battery pack from the power head and wait for all blades to stop before servicing, cleaning, changing add-on attachments or when the product is not in use.

⚠ WARNING: Always wear heavy gloves when installing or removing the blade or performing any maintenance on the blade. Be careful of the blade and protect your hands from being injured by the blade.

GENERAL MAINTENANCE

Avoid using solvents when cleaning plastic parts. Most plastics are susceptible to damage from various types of commercial solvents and may be damaged by their use. Use a clean cloth to remove dirt, dust, oil, grease, etc.

⚠ WARNING: Do not at any time let brake fluids, gasoline, petroleum-based products, penetrating oils, etc., come in contact with plastic parts. Chemicals can damage, weaken, or destroy plastic, which may result in serious personal injury.

⚠ WARNING: When cleaning the cultivator attachment, DO NOT immerse it in water or other liquids. Do not clean your machine with a pressure washer. The solid jet of water may damage parts of the machine.

BLADE MAINTENANCE

- Maintain the blades with anti-rust oil regularly.
- If any of the blades needs replacing due to wear, replace all four blades for best performance.

All cultivator service, other than the items listed in these maintenance instructions, should be performed by a authorized service personnel.

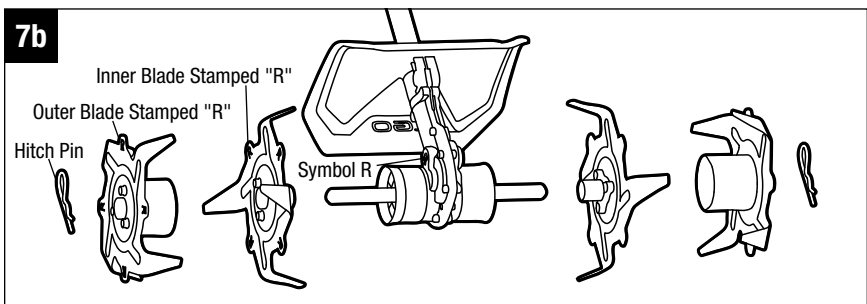
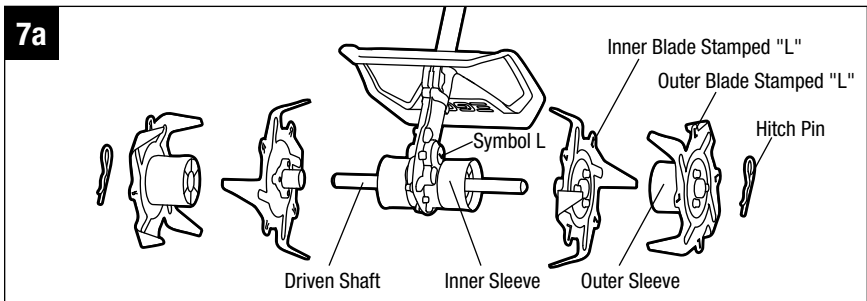
REPLACING OR ADJUSTING THE BLADES

⚠ WARNING: A worn, cracked, or damaged blade can break and pieces of the damaged blade can become dangerous projectiles. Thrown objects can cause serious injury. Inspect the blade regularly and do not operate the cultivator with a worn or damaged blade.

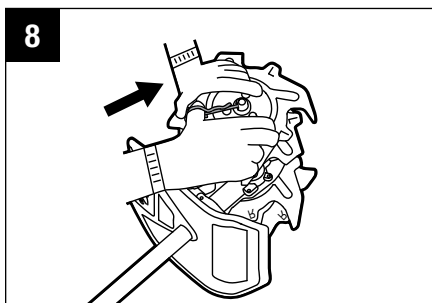
To Replace

The cultivator has four blades – two inner blades and two outer blades. For correct operation of the cultivator, the blades must be installed in the correct orientation. Symbols R and L are stamped on the blades (Fig. 7a & 7b).

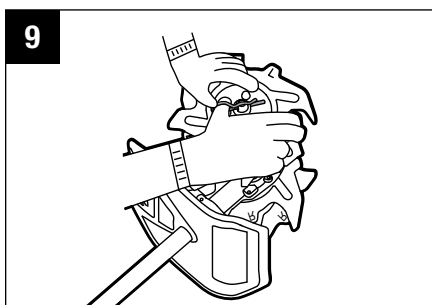
NOTICE: THE BLADES THAT HAVE TINES FACING IN BOTH DIRECTIONS MUST BE MOUNTED ON THE INSIDE, CLOSEST TO THE GEAR BOX.



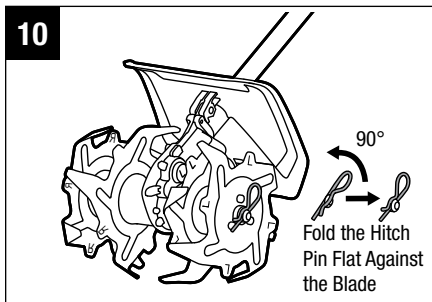
1. Wear gloves.
2. Place the inner blade, stamped "L", which has tines facing in both directions, to the left of the gear box. The stamped side with the L should face outward.
3. Place the outer blade, stamped "L", (tines face one way only) on the same side. The stamped side with the L should face outward, with the outer sleeve against the inner blade.



4. To secure the blade to the drive shaft, insert the hitch pin into the locking hole-1. See Fig. 8, 9, 10 for reference.
5. Turn over the tool with the installed blade resting against the ground.



6. Place the inner blade stamped "R", which has tines facing in both directions, to the right of the gear box. The stamped side with the R should face outward.
7. Place the outer blade, stamped "R", (tines face one way only) on the same side. The stamped side with R should face outward, with the outer sleeve against the inner blade.



8. To secure the blade to the drive shaft, insert the hitch pin into the locking hole-1. See Fig. 8, 9, 10 for reference.

⚠ WARNING: The unit will not operate properly or may cause danger to the operator or bystanders if the blades are installed incorrectly. If you notice a problem with the cultivating operation of the unit, check for proper blade positioning. **THE BLADES THAT HAVE TINES FACING IN BOTH DIRECTIONS MUST BE MOUNTED ON THE INSIDE, CLOSEST TO THE GEAR CASE.**

To Adjust

When tilling in a confined area or between rows, the cultivator may be used with only the inner blades installed.

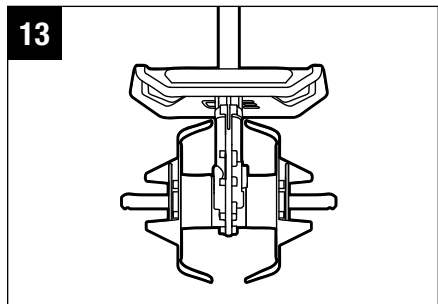
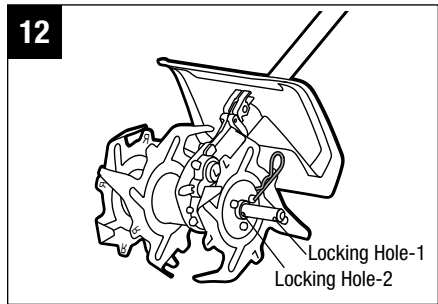
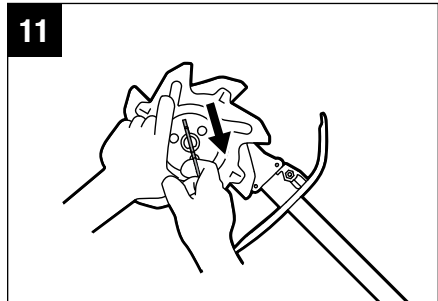
Wear gloves and remove the two hitch pins to remove the two outer blades (Fig. 11), and then insert the hitch pins into the locking hole-2 (Fig.12 & 13).

NOTICE: Do not force the blades on or off the drive shaft. If you experience difficulty when removing the blades, apply some penetrating oil on the shaft. When reinstalling the blades, make sure to clean and oil the drive shaft and the blades.

CLEAN THE UNIT

Parts of plants, such as roots, can become tightly wrapped around or between the rotating blades during operating. To clean the rotating blades:

- Remove the battery.
- Wear gloves. Clean the pieces of roots, clogged soils or plants on the blade, guard or the gear box. For thorough cleaning, remove the blades and guard to wash them thoroughly. For detailed replacement steps please see above section **“REPLACING OR ADJUSTING THE BLADES”**.
- Wipe the tool surface with a clean cloth moistened with a mild soap solution. Keep the air vents free of obstructions.



STORING THE UNIT

- Remove the battery pack from the tool.
- Wear heavy gloves to clean the tool thoroughly and inspect the blades.
- Remove the cultivator attachment from the power head and cover the attachment shaft with end cap to avoid dirt getting into the coupling.
- Store the tool in a dry, well-ventilated area, locked-up or up high, out of the reach of children. Do not store the unit on or adjacent to fertilizers, gasoline, or other chemicals.

TROUBLESHOOTING

PROBLEM	CAUSE	SOLUTION
Cultivator fails to start.	<ul style="list-style-type: none">▪ The battery pack is not properly attached to the power head.▪ No electrical contact between the power head and the battery pack.▪ The battery pack is depleted.▪ The lock-off lever and trigger are not depressed simultaneously.	<ul style="list-style-type: none">▪ Attach the battery pack to the power head.▪ Remove battery, check contacts and reinstall the battery pack so that it snaps into place.▪ Charge the battery pack with an EGO charger listed in this manual.▪ Press the lock-off lever and hold it, then depress the trigger to turn on the unit.

PROBLEM	CAUSE	SOLUTION
<p>Cultivator stops while tilling.</p>	<ul style="list-style-type: none"> ■ The motor is overloaded. ■ The battery pack or the power head is too hot. ■ The blades are jammed. ■ The battery pack is disconnected from the tool. ■ The battery pack is depleted. 	<ul style="list-style-type: none"> ■ The motor will recover when the load is removed. For continuous work, decrease the load on the cultivator and avoid deep tilling; instead, make progressively deeper cuts. ■ Allow the battery pack or the power head to cool until the its temperature drops below 152°F (67°C). ■ Remove the battery from the power head, manually rotate the blades back and forth to remove the stones or other obstacles between the blades or between the blade and the gear box. ■ Re-install the battery pack. ■ Charge the battery pack with an EGO charger listed in this manual.

WARRANTY

EGO WARRANTY POLICY

5-year limited warranty on EGO POWER+ outdoor power equipment and portable power for personal, household use.

3-year limited warranty on EGO POWER+ System battery packs and chargers for personal, household use.

2 year/1year limited warranty on EGO outdoor power equipment, portable power, battery packs, and chargers for professional and commercial use.

The detailed warranty periods by products can be found online at

<http://egopowerplus.com/pages/warranty-policy>.

Please contact EGO Customer Service Toll-Free at 1-855-EGO-5656 any time you have questions or warranty claims.

LIMITED SERVICE WARRANTY

EGO products are warranted against defects in material or workmanship from the date of original retail purchase for the applicable warranty period. Defective product will receive free repair.

- a) This warranty applies only to the original purchaser from an authorized EGO retailer and may not be transferred. Authorized EGO retailers are identified online at <http://egopowerplus.com/pages/warranty-policy>.
- b) The warranty period for reconditioned or factory certified products used for residential purpose is 1 year, for industrial, professional or commercial purpose is 90 days.
- c) The warranty period for routine maintenance parts, such as, but not limited to, blades, trimmer heads, chain bars, saw chains, belts, scraper bars, blower nozzles, and all other EGO accessories is 90 days for residential purpose, 30 days for industrial, professional or commercial purpose. These parts are covered for 90/30 days from manufacture defects in normal working conditions.
- d) This warranty is void if the product has been used for rental purpose.
- e) This warranty does not cover the damage resulting from modification, alteration or unauthorized repair.



- f) This warranty only covers defects arising under normal usage and does not cover any malfunction, failure or defect resulting from misuse, abuse (including overloading of the product beyond capacity and immersion in water or other liquid), accidents, neglect or lack of proper installation, and improper maintenance or storage.
- g) This warranty does not cover normal deterioration of the exterior finish, including but not limited to scratches, dents, paint chips, or to any corrosion or discoloring by heat, abrasive and chemical cleaners.

HOW TO OBTAIN SERVICE

For warranty service, please contact EGO customer service toll-free at **1-855-EGO-5656**. When requesting warranty service, you must present the original dated sales receipt. An authorized service center will be selected to repair the product according to the stated warranty terms. When bringing your product to the authorized service center, there may be a small deposit that will be required when dropping off your tool. This deposit is refundable when the repair service is deemed to be covered under warranty.

ADDITIONAL LIMITATIONS

To the extent permitted by applicable law, all implied warranties, including warranties of MERCHANTABILITY or FITNESS FOR A PARTICULAR PURPOSE, are disclaimed. Any implied warranties, including warranties of merchantability or fitness for a particular purpose, that cannot be disclaimed under state law are limited to the applicable warranty period defined at the beginning of this article.

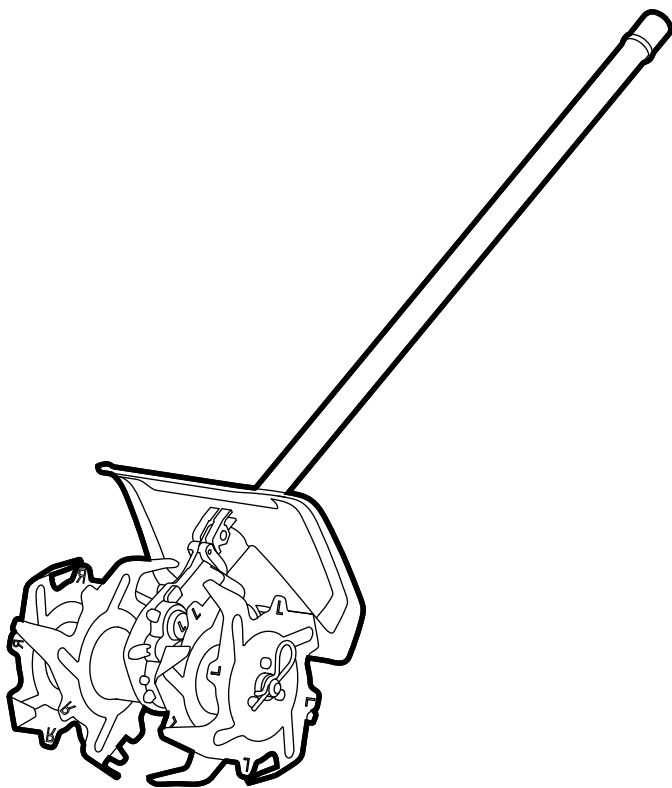
Chervon North America is not responsible for direct, indirect, incidental or consequential damages.

Some states do not allow limitations on how long an implied warranty lasts and/or do not allow the exclusion or limitation of incidental or consequential damages, so the above limitations may not apply to you.

This warranty gives you specific legal rights, and you may also have other rights which vary from state to state.

For customer service contact us toll-free at: **1-855-EGO-5656** or **EGOPOWERPLUS.COM**. EGO Customer Service, 769 SEWARD AVE NW / Suite 102 Grand Rapids, MI 49504

EGO™



À UTILISER UNIQUEMENT AVEC
LA TÊTE D'ALIMENTATION EGO
POWER+ PH1400/PH1400-FC

GUIDE D'UTILISATION

ACCESSOIRE DE CULTIVATEUR

NUMÉRO DE MODÈLE CTA9500/CTA9500-FC

⚠ AVERTISSEMENT : Afin de réduire les risques de blessure, l'utilisateur doit lire et comprendre le guide d'utilisation avant d'utiliser ce produit. Conservez le présent guide afin de pouvoir le consulter ultérieurement.

TABLE DES MATIÈRES

Symboles de sécurité	34
Consignes de sécurité	35-42
Introduction	43
Caractéristiques techniques	43
Liste des pièces contenues dans l'emballage	44
Description	45-46
Assemblage	47-50
Fonctionnement	51-54
Entretien	55-58
Dépannage	59-60
Garantie	61-63

LISEZ TOUTES LES INSTRUCTIONS!



LIRE ET COMPRENDRE
LE GUIDE D'UTILISATION

⚠ AVERTISSEMENT : La poussière créée pendant le ponçage, le sciage, le polissage, le perçage et d'autres activités liées à la construction peut contenir des produits chimiques reconnus par l'État de la Californie comme étant la cause de cancers, d'anomalies congénitales et d'autres problèmes liés aux fonctions reproductrices. Voici des exemples de ces produits chimiques :

- Le plomb provenant de peintures à base de plomb;
- La silice cristallisée contenue dans les briques, le ciment et d'autres produits de maçonnerie;
- L'arsenic et le chrome contenus dans le bois d'œuvre traité avec des produits chimiques.

Les risques liés à l'exposition à ces produits varient en fonction de la fréquence à laquelle vous effectuez ce type de travaux. Pour réduire votre exposition à ces produits chimiques, travaillez dans une zone bien ventilée et portez l'équipement de sécurité approuvé, comme les masques antipoussières conçus pour ne pas laisser passer les particules microscopiques.

SYMBOLES DE SÉCURITÉ

L'objectif des symboles de sécurité est d'attirer votre attention sur les dangers potentiels. Vous devez examiner attentivement et bien comprendre les symboles de sécurité et les explications qui les accompagnent. Les symboles d'avertissement en tant que tels n'éliminent pas le danger. Les consignes et les avertissements qui y sont associés ne remplacent en aucun cas les mesures préventives adéquates.

⚠ AVERTISSEMENT : Avant d'utiliser cet outil, assurez-vous de lire et de comprendre toutes les consignes de sécurité présentées dans le présent guide d'utilisation, notamment toutes les consignes de sécurité indiquées par « **DANGER** », « **AVERTISSEMENT** » et « **MISE EN GARDE** ». Le non-respect des consignes de sécurité ci-dessous peut occasionner une décharge électrique, un incendie ou des blessures graves.

SIGNIFICATION DES SYMBOLES

⚠ SYMBOLE D'ALERTE DE SÉCURITÉ : Indique un **DANGER**, un **AVERTISSEMENT** ou une **MISE EN GARDE**. Il peut être associé à d'autres symboles ou pictogrammes.




⚠ AVERTISSEMENT! L'utilisation de tout outil électrique peut entraîner la projection de corps étrangers dans les yeux et ainsi causer des lésions oculaires graves. Avant d'utiliser un outil électrique, veillez à toujours porter des lunettes de sécurité couvrantes ou à écrans latéraux, ou un masque complet au besoin. Nous recommandons le port d'un masque de sécurité panoramique par-dessus les lunettes ou de lunettes de sécurité standard avec écrans latéraux. Portez toujours des lunettes de sécurité conformes à la norme ANSI Z87.1.

CONSIGNES DE SÉCURITÉ

Vous trouverez ci-dessous les symboles de sécurité qui peuvent être présents sur le produit, accompagnés de leur description. Vous devez lire, comprendre et suivre toutes les instructions présentes sur l'appareil avant de commencer à l'assembler ou à le manipuler.

	Alerte de sécurité	Indique un risque de blessure.
	Assurez-vous de lire et de comprendre le guide d'utilisation	Afin de réduire les risques de blessure, l'utilisateur doit lire et comprendre le guide d'utilisation avant d'utiliser ce produit.
	Portez des lunettes de sécurité	Portez toujours des lunettes de sécurité ou des lunettes protectrices pourvues d'écrans latéraux lorsque vous utilisez cet article.
	Portez des gants de protection	Protégez vos mains en portant des gants lorsque vous manipulez des lames. Des gants robustes et antidérapants améliorent votre prise et protègent vos mains.
	Ricochet	Des objets propulsés peuvent rebondir et causer des blessures ou des dommages matériels.
	Gardez les mains et les pieds à distance	N'essayez jamais de faire fonctionner cet article d'une seule main. Une perte de maîtrise de cet article peut entraîner des blessures graves, voire mortelles. Pour réduire les risques de coupures, gardez vos mains et vos pieds à distances des lames en rotation. Ne touchez jamais les lames en rotation avec votre main ou toute autre partie de votre corps.

	<p>Danger – Choc électrique</p>	<p>Afin de réduire les risques d'électrocution, assurez-vous qu'il n'y a pas de câbles enfouis susceptibles d'être sous tension et d'entrer en contact avec l'outil. Endommager ces câbles avec l'outil peut provoquer des chocs électriques et entraîner des blessures graves, voire mortelles.</p>
	<p>Symboles de recyclage</p>	<p>Le produit fonctionne à l'aide de piles au lithium-ion (Li-ion). La législation locale, provinciale ou fédérale peut interdire la mise au rebut des piles dans les ordures ménagères. Consultez l'organisme local de gestion des déchets au sujet des options de mise au rebut ou de recyclage.</p>
<p>IPX4</p>	<p>Indice de protection</p>	<p>Protection contre les éclaboussures d'eau</p>
<p>V</p>	<p>Volt</p>	<p>Tension</p>
<p>mm</p>	<p>Millimètre</p>	<p>Longueur ou taille</p>
<p>po</p>	<p>Pouce</p>	<p>Longueur ou taille</p>
<p>kg</p>	<p>Kilogramme</p>	<p>Poids</p>
<p>lb</p>	<p>Livre</p>	<p>Poids</p>

AVERTISSEMENTS DE SÉCURITÉ GÉNÉRAUX RELATIFS AUX OUTILS ALIMENTÉS SUR SECTEUR OU PAR PILES

⚠ AVERTISSEMENT! Lisez tous les avertissements, instructions, illustrations et spécifications fournis avec cet outil électrique. Le non-respect des consignes de sécurité ci-dessous peut occasionner un choc électrique, un incendie ou des blessures graves.

Conservez tous les avertissements et toutes les instructions pour les consulter ultérieurement.

SÉCURITÉ DE L'AIRE DE TRAVAIL

- **Maintenez l'aire de travail propre et bien éclairée.** Les aires de travail sombres et encombrées sont propices aux accidents.
- **N'utilisez pas d'outils électriques dans un milieu explosif, par exemple où il y a présence de liquides, de vapeurs ou de poussières inflammables.** Les outils électriques produisent des étincelles susceptibles d'enflammer ces poussières ou ces vapeurs.
- **Gardez les enfants et les autres personnes à l'écart lorsque vous utilisez un outil électrique.** Une distraction peut vous faire perdre la maîtrise de l'outil.

SÉCURITÉ PERSONNELLE

- **Soyez vigilant, prêtez attention à ce que vous faites et usez de votre jugement lorsque vous utilisez un outil électrique. N'utilisez pas un outil électrique lorsque vous êtes fatigué ou sous l'effet de drogues, d'alcool ou de médicaments.** Un moment d'inattention pendant que vous utilisez des outils électriques peut entraîner des blessures graves.
- **Utilisez toujours un équipement de protection individuelle.** Le port d'équipement de protection individuelle, comme des lunettes de sécurité, un masque antipoussières, des chaussures de sécurité antidérapantes, un casque de protection ou des protecteurs auditifs, lorsque les conditions l'exigent, réduit les risques de blessures.
- **Prenez des mesures afin d'éviter que l'outil se mette en marche accidentellement. Assurez-vous que l'interrupteur est sur la position d'arrêt avant de brancher l'outil sur un bloc-piles, de le ramasser ou de le transporter.** Transporter les outils électriques avec le doigt sur l'interrupteur ou brancher les outils lorsque l'interrupteur est en position de marche augmente les risques d'accident.

- **Retirez toutes les clés de réglage de l'outil électrique avant de le mettre en marche.** Une clé de réglage oubliée sur une pièce mobile de l'outil électrique peut entraîner des blessures.
- **Ne vous étirez pas pour étendre votre portée.** Gardez une posture sécuritaire et un bon équilibre en tout temps. Cela vous permet de mieux maîtriser l'outil électrique lorsque des situations inattendues se présentent.
- **Habillez-vous de manière appropriée. Ne portez pas de vêtements amples ni de bijoux.** Gardez vos cheveux et vos vêtements loin des pièces mobiles. Les vêtements amples, les bijoux et les cheveux longs risquent de se prendre dans les pièces en mouvement.
- **Si un dispositif permet de raccorder un dépoussiéreur, assurez-vous que celui-ci est branché et utilisé de manière appropriée.** L'emploi d'un dépoussiéreur contribue à réduire les dangers liés à la poussière.
- **Même si vous connaissez parfaitement ces outils parce que vous les utilisez souvent, soyez vigilant et respectez les principes de sécurité.** Il suffit d'être négligent une fraction de seconde pour se blesser gravement.

UTILISATION ET ENTRETIEN DES OUTILS ÉLECTRIQUES

- **Ne forcez pas l'outil électrique. Utilisez l'outil électrique approprié à l'utilisation que vous envisagez.** L'utilisation de l'outil électrique approprié permet d'obtenir de meilleurs résultats, de façon plus sécuritaire, selon le régime de fonctionnement prévu.
- **N'utilisez pas l'outil électrique si l'interrupteur ne fonctionne pas.** Tout outil électrique qui ne peut être commandé au moyen de l'interrupteur est dangereux et doit être réparé.
- **Retirez, si possible, le bloc-piles de l'outil électrique ou actionnez tout dispositif de désactivation du bloc-piles avant de dégager un objet coincé, d'effectuer des réglages, de changer d'accessoires ou de nettoyer ou de ranger les outils électriques.** Ces mesures de sécurité préventives réduisent les risques de mise en marche accidentelle de l'outil électrique.
- **Rangez l'outil électrique à l'arrêt hors de la portée des enfants et n'autorisez pas une personne ne sachant pas s'en servir ou n'ayant pas lu ces instructions à l'utiliser.** Les outils électriques sont dangereux s'ils se retrouvent entre les mains d'utilisateurs qui ne savent pas s'en servir.

- **Entretenez les outils électriques et les accessoires. Vérifiez les pièces mobiles pour vous assurer qu'elles ne sont pas désalignées, enrayées, brisées, ou dans un état qui pourrait nuire à leur fonctionnement. Si l'outil électrique est endommagé, faites-le réparer avant de l'utiliser.** De nombreux accidents sont provoqués par des outils électriques et des accessoires mal entretenus.
- **Gardez vos outils tranchants affûtés et propres.** Des outils tranchants bien entretenus et dont les lames sont affûtées risquent moins de se bloquer et sont plus faciles à maîtriser.
- **Utilisez l'outil électrique, les accessoires, les embouts ou autres conformément aux instructions, en tenant compte des conditions de travail et du travail à effectuer.** L'utilisation de l'outil électrique à des fins autres que celles pour lesquelles il a été conçu pourrait entraîner une situation dangereuse.
- **Les poignées et autres surfaces de préhension doivent toujours être sèches, propres et exemptes d'huile ou de graisse.** Les poignées et autres surfaces de préhension glissantes peuvent entraîner une manipulation non sécuritaire ou une perte de contrôle de l'outil.
- **Éloignez les câbles de la zone de travail de l'outil.** Durant l'utilisation, des câbles pourraient être dissimulés et être accidentellement endommagés par l'outil.

UTILISATION ET ENTRETIEN DU BLOC-PILES

- **Rechargez uniquement le bloc-piles à l'aide du chargeur approuvé par le fabricant.** Un chargeur conçu pour un type de bloc-piles peut causer un incendie s'il est utilisé avec un autre bloc-piles. Utilisez l'article uniquement avec les blocs-piles et les chargeurs indiqués ci-dessous.

BLOC-PILE	CHARGEUR
BA1120, BA1120-FC, BA1400, BA1400-FC, BA2240, BA2240-FC, BA2800, BA2800-FC, BA4200, BA4200-FC, BA1400T, BA1400T-FC, BA2800T, BA2800T-FC, BA4200T, BA4200T-FC	CH2100, CH2100-FC, CH5500, CH5500-FC

- **Utilisez les outils électriques uniquement avec les blocs-piles désignés.** L'utilisation de tout autre bloc-piles peut constituer un risque de blessure et d'incendie.

- **Lorsque vous n'utilisez pas le bloc-piles, conservez-le à l'écart d'autres objets métalliques, comme des trombones, des pièces de monnaie, des clés, des clous, des vis et d'autres petits objets métalliques qui peuvent connecter une borne à une autre.** Un court-circuit entre les bornes du bloc-piles peut occasionner des brûlures ou un incendie.
- **En cas d'usage abusif, du liquide peut s'échapper du bloc-piles; évitez tout contact avec ce liquide. En cas de contact accidentel, rincez à grande eau. Si vos yeux entrent en contact avec ce liquide, consultez un médecin.** Le liquide provenant des piles peut causer de l'irritation ou des brûlures.
- **N'utilisez pas un bloc-piles ou un outil endommagé ou modifié.** Les blocs-piles modifiés ou endommagés peuvent fonctionner de façon imprévisible et présenter un risque d'incendie, d'explosion ou de blessures.
- **N'exposez pas un bloc-piles ou un outil à un feu ou à une température excessive.** L'exposition au feu ou à une température supérieure à 100 °C (212 °F) peut provoquer une explosion.
- **Suivez toutes les instructions pour le chargement et ne chargez pas le bloc-piles ou l'outil en dehors de la plage de température spécifiée dans les instructions.** Une recharge inadéquate ou effectuée à des températures en dehors de la plage spécifiée peut endommager le bloc-piles et augmenter le risque d'incendie.

ENTRETIEN

- **Demandez à un technicien qualifié qui utilise seulement des pièces de rechange identiques aux pièces d'origine d'effectuer l'entretien de votre outil électrique.** Vous vous assurerez ainsi que l'outil électrique demeure sécuritaire.
- **Ne réparez jamais un bloc-piles endommagé.** Seuls le fabricant et les fournisseurs de services autorisés peuvent effectuer la réparation d'un bloc-piles.

CONSIGNES DE SÉCURITÉ POUR LE CULTIVATEUR

- **Gardez les mains éloignées des lames.**
- Ne l'utilisez pas près de câbles électriques, de lignes téléphoniques ou de tuyaux souterrains. En cas de doute, communiquez avec votre compagnie de téléphone ou d'électricité pour localiser les câbles souterrains.

- Les lames en rotation peuvent causer des blessures graves. Gardez toutes les parties du corps à distance des lames en rotation.
- Faites preuve d'une extrême prudence lorsque vous tournez ou tirez l'outil vers vous.
- Si le cultivateur venait à vibrer de manière anormale ou s'il devenait bruyant, arrêtez le moteur et trouvez immédiatement la cause des vibrations. Les sons anormaux indiquent généralement un problème.
- Vérifiez le serrage de toutes les fixations pour vous assurer que le cultivateur est en bon état de marche.
- Assurez-vous que les goupilles d'attelage sont complètement insérées dans l'arbre de lame avant chaque utilisation.
- N'utilisez pas un appareil électrique s'il est tombé ou a été endommagé. Retournez-le chez le détaillant autorisé le plus près de chez vous pour qu'il soit inspecté et réparé.
- Assurez-vous que tous les protecteurs et autres dispositifs de sécurité sont fixés correctement et de façon sécuritaire avant d'utiliser cet article.
- Soyez extrêmement prudent lorsque vous labourez un sol dur. Les lames pourraient rester prises dans le sol et projeter le cultivateur vers l'avant.
- Ne forcez pas la capacité de l'outil en tentant de labourer trop profondément à une vitesse trop rapide.
- Inspectez la zone où l'équipement doit être utilisé et retirez tous les corps étrangers.
- **Ne rechargez pas le bloc-piles sous la pluie ni dans un endroit mouillé.**
- **Ne jetez pas le bloc-pile au feu.** Les cellules pourraient exploser. Consultez la réglementation locale pour connaître les instructions de mise au rebut.
- **N'ouvrez pas et n'abîmez pas le bloc-piles.** L'électrolyte qu'il contient est corrosif et peut causer des lésions oculaires ou cutanées. Il peut être toxique s'il est ingéré.
- **Les outils munis d'un bloc-piles n'ont pas besoin d'être branchés sur une prise de courant. Par conséquent, ils sont toujours prêts à l'emploi.** Gardez à l'esprit qu'il existe des dangers potentiels même lorsque l'outil ne fonctionne pas. Soyez prudents lorsque vous effectuez l'entretien ou des réparations.
- **Ne lavez pas l'outil avec un jet d'eau, car de l'eau pourrait s'infiltrer dans le moteur et les connexions électriques.**

- **S'il se produit une situation qui ne figure pas dans le présent manuel, faites preuve de prudence et de jugement. Communiquez avec le centre de service à la clientèle d'EGO pour obtenir de l'aide.**
- **CONSERVEZ CES INSTRUCTIONS.** Consultez-les régulièrement et utilisez-les pour expliquer le fonctionnement de l'outil à d'autres personnes qui l'utiliseraient. Si vous prêtez cet outil à une personne, prêtez-lui également ces instructions afin de prévenir un usage inapproprié et des blessures potentielles.

REMARQUE : CONSULTEZ VOTRE GUIDE D'UTILISATION DE LA TÊTE D'ALIMENTATION POUR CONNAÎTRE LES RÈGLES DE SÉCURITÉ PARTICULIÈRES SUPPLÉMENTAIRES.

INTRODUCTION

Nous vous félicitons d'avoir choisi la tête d'alimentation EGO au lithium-ion de 56 volts. Elle a été conçue et fabriquée afin de vous offrir la meilleure fiabilité et le meilleur rendement possible.

Si vous éprouvez un problème que vous n'arrivez pas à régler facilement, veuillez communiquer avec le centre de service à la clientèle d'EGO au 1 855 EGO-5656.

Le présent guide contient des renseignements importants pour assembler, utiliser et entretenir en toute sécurité votre produit. Lisez-le soigneusement avant d'utiliser le produit. Conservez ce guide à portée de main afin de pouvoir le consulter à tout moment.

NUMÉRO DE SÉRIE _____ DATE D'ACHAT _____
NOUS VOUS RECOMMANDONS DE NOTER LE NUMÉRO DE SÉRIE ET LA DATE D'ACHAT ET DE LES CONSERVER EN LIEU SÛR AFIN DE POUVOIR LES CONSULTER ULTÉRIEUREMENT.

CARACTÉRISTIQUES TECHNIQUES

Taille De La Lame	21,59 cm (8 1/2 po)
Profondeur De Labourage	21,59 cm (8 1/2 po)
Largeur De Labourage	24,13 cm (9 1/2 po)
Température De Fonctionnement	0 °C à 40 °C (32 °F à 104 °F)
Température De Rangement	De -20 °C à 70 °C (de -4 °F à 158 °F)
Poids (Protecteur Inclus)	3,9 kg (8,6 lb)

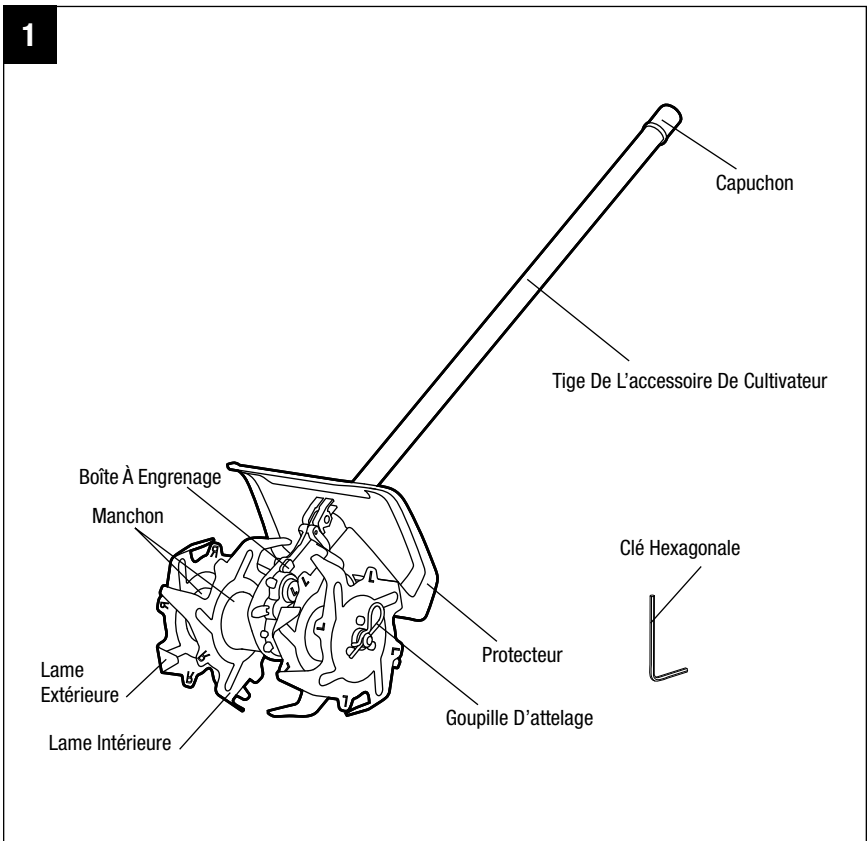
LISTE DES PIÈCES CONTENUES DANS L'EMBALLAGE

NOM DE PIÈCE	QUANTITÉ
Accessoire De Cultivateur	1
Protecteur (Avec Boulon)	1
Clé Hexagonale	1
Manuel D'utilisation	1

DESCRIPTION

FAMILIARISEZ-VOUS AVEC VOTRE ACCESSOIRE DE CULTIVATEUR (figure 1)

Pour utiliser ce produit en toute sécurité, vous devez comprendre les renseignements figurant sur le produit et dans le présent guide d'utilisation et connaître le projet que vous entreprenez. Avant d'utiliser ce produit, familiarisez-vous avec toutes les caractéristiques de fonctionnement et consignes de sécurité.



⚠ AVERTISSEMENT : N'utilisez jamais l'outil si le protecteur n'est pas fixé fermement. Le protecteur doit toujours être installé sur l'outil pour protéger l'utilisateur.

EMBOUT

Empêche la pénétration de saletés et de débris dans la tige lorsque l'outil n'est pas utilisé.

PROTECTEUR

Réduit les risques de blessure causée par la projection d'objets quelconques vers l'utilisateur et empêche tout contact avec les lames.

GOUPILLE D'ATTELAGE

Fixe les lames en place et en facilite le retrait et l'installation.

MANCHONS

Quatre manchons permettant d'empêcher ou de réduire l'entremêlement de l'herbe sur l'arbre d'entraînement.

LAMES INTÉRIEURES

Lames en métal dotées de dents incurvées orientées dans deux directions.

LAMES EXTÉRIEURES

Lames en métal dotées de dents incurvées orientées dans la même direction.

CLÉ HEXAGONALE

Pour serrer et desserrer la vis à tête hexagonale du protecteur ou des lames.

ASSEMBLAGE

⚠ AVERTISSEMENT : S'il y a des pièces manquantes ou endommagées, ne tentez pas d'utiliser cet article tant que ces pièces n'auront pas été remplacées. Le fait d'utiliser cet article avec des pièces endommagées ou manquantes pourrait entraîner des blessures graves.

⚠ AVERTISSEMENT : Ne tentez pas de modifier cet article ou de créer des accessoires qui ne sont pas recommandés pour cet article. Toute modification est considérée comme un usage inapproprié et peut créer une situation dangereuse susceptible d'entraîner des blessures graves.

⚠ AVERTISSEMENT : Portez toujours des gants épais lorsque vous installez ou retirez une lame ou lorsque vous en effectuez l'entretien. Faites attention à la lame et protégez vos mains pour éviter de vous couper avec celle-ci.

⚠ AVERTISSEMENT : Ne raccordez pas le cultivateur à la tête d'alimentation avant la fin de l'assemblage. Le non-respect de ces consignes pourrait provoquer des mises en marche accidentelles ainsi que de graves blessures.

DÉBALLAGE

- Cet article doit être assemblé.
- Retirez soigneusement l'article et toutes les pièces de l'emballage. Assurez-vous que toutes les pièces mentionnées sur la liste des pièces sont incluses.

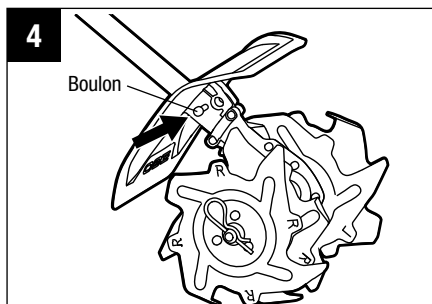
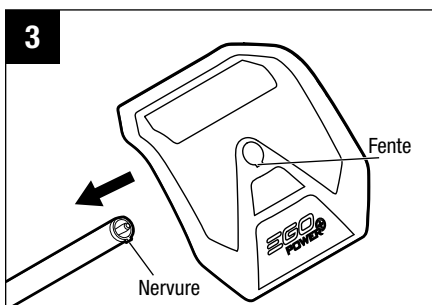
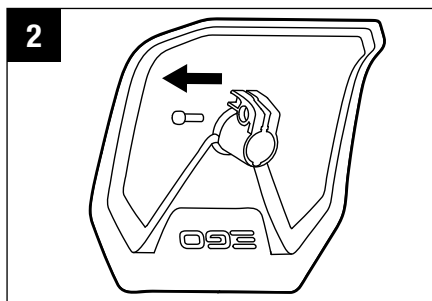
⚠ AVERTISSEMENT : N'utilisez pas ce produit si des pièces figurant sur la liste des pièces contenues dans l'emballage sont déjà assemblées sur votre produit au moment où vous le déballez. Les pièces figurant sur cette liste n'ont pas été assemblées au produit par le fabricant et devront être installées par le client. L'utilisation d'un article qui pourrait avoir été mal assemblé pourrait entraîner des blessures graves.

- Inspectez soigneusement le taille-bordure pour vérifier qu'il n'a pas été endommagé pendant l'expédition.
- Ne jetez pas le matériel d'emballage avant d'avoir inspecté soigneusement la scie à chaîne et de l'avoir fait fonctionner de manière satisfaisante.
- S'il y a des pièces manquantes ou endommagées, veuillez retourner l'outil à l'endroit où vous l'avez acheté.

INSTALLATION DU PROTECTEUR

⚠ AVERTISSEMENT : Installez le protecteur avant de raccorder l'accessoire de cultivateur à la tête d'alimentation.

1. Desserrez et retirez le boulon du protecteur à l'aide de la clé hexagonale fournie (figure 2).
2. Soulevez la tige de l'accessoire de cultivateur et retirez l'embout de la tige.
3. En alignant la fente du protecteur avec la nervure située à l'extrémité de la tige, insérez le protecteur dans la tige jusqu'à ce que les trous de vis du protecteur et de la tige soient alignés (figures 3 et 4).
4. Utilisez la clé hexagonale fournie pour serrer le boulon dans le sens des aiguilles d'une montre afin de fixer fermement le protecteur.



RACCORDEMENT DE L'ACCESSOIRE DE CULTIVATEUR À LA TÊTE D'ALIMENTATION

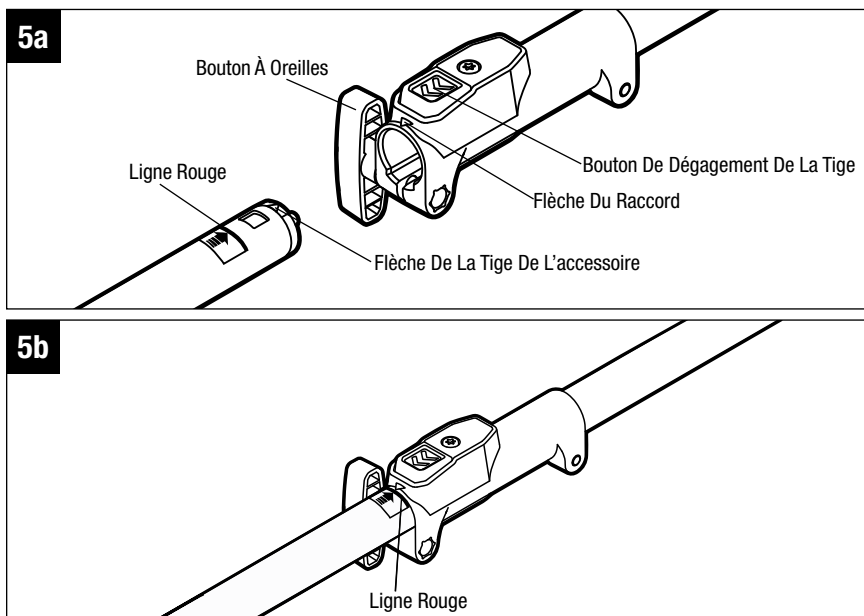
⚠ AVERTISSEMENT : Ne fixez ou n'ajustez jamais un accessoire lorsque la tête d'alimentation est en marche ou sans avoir enlevé le bloc-piles au préalable. Si vous n'arrêtez pas le moteur et ne retirez pas le bloc-piles, vous risquez de subir de graves blessures.

Cet accessoire de cultivateur est conçu pour être utilisé avec la tête d'alimentation EGO PH1400/PH1400-FC.

L'accessoire de cultivateur doit être raccordé à la tête d'alimentation au moyen d'un raccord.

1. Arrêtez le moteur et enlevez le bloc-pile.
2. Desserrez le bouton à oreilles du raccord de la tête d'alimentation.
3. Si l'embout se trouve sur la tige de l'accessoire, retirez-le et conservez-le dans un endroit sûr pour une utilisation ultérieure. Alignez la flèche de la tige du cultivateur avec la flèche du raccord (figure 5a) et insérez la tige du cultivateur dans le raccord jusqu'à ce que vous entendiez un déclic net. Le raccord doit être inséré jusqu'à la **LIGNE ROUGE** figurant sur la tige : la ligne rouge doit être alignée sur le bord du raccord (figure 5b).
4. Tirez sur la tige de l'accessoire de cultivateur pour vérifier qu'elle est fermement emboîtée dans le raccord. Sinon, faites tourner la tige du cultivateur d'un côté à l'autre dans le raccord jusqu'à ce que vous entendiez un déclic net indiquant qu'elle est emboîtée.
5. Serrez fermement le bouton à oreilles.

⚠ AVERTISSEMENT : Assurez-vous que le bouton à oreilles du raccord est complètement serré avant d'utiliser l'équipement. Vérifiez périodiquement qu'il est bien serré pendant l'utilisation pour éviter des blessures graves.



RETRAIT DE L'ACCESSOIRE DE LA TÊTE D'ALIMENTATION

1. Arrêtez le moteur et enlevez le bloc-pile.
2. Desserrez le bouton à oreilles.
3. Appuyez sur le bouton de dégagement de la tige puis, en maintenant le bouton enfoncé, tirez ou tournez la tige de l'accessoire de cultivateur hors du raccord pour la retirer de la tête d'alimentation.

FONCTIONNEMENT

⚠ AVERTISSEMENT : Même si vous connaissez parfaitement cet article, soyez vigilant. Gardez en tête qu'il suffit d'être négligent une fraction de seconde pour se blesser gravement.

⚠ AVERTISSEMENT : Portez toujours des lunettes de sécurité conformes à la norme ANSI Z87.1. Sinon, vous pourriez recevoir des débris dans les yeux et vous blesser grièvement.

⚠ AVERTISSEMENT : N'utilisez pas de pièces ni d'accessoires qui ne sont pas recommandés par le fabricant de cet article. L'utilisation de pièces ou d'accessoires non recommandés peut causer des blessures graves.

UTILISATIONS

Vous pouvez utiliser ce produit pour les types de travaux indiqués ci-dessous :

- Aérer la terre de jardin pour préparer le lit de semences en vue de la replantation.
- Gratter la terre pour déraciner les mauvaises herbes ou ameublir le sol autour des plantes afin de faciliter la pénétration de l'air ou de l'eau dans le sol.
- Épandre la terre en surface avec du compost, des feuilles ou d'autres engrais organiques. Le grattage permet d'ameublir la croûte à la surface du sol et de faire pénétrer les substances nutritives ajoutées.
- Creuser des tranchées ou des sillons dans un sol ameubli.

REMARQUE : Pour éviter d'endommager le cultivateur ou les arbres, assurez-vous que les lames ne se coincent pas dans de grosses racines. Évitez de creuser la terre trop profondément, car vous pourriez endommager les racines superficielles de certaines plantes.

UTILISATION DE L'ACCESSOIRE DE CULTIVATEUR AVEC LA TÊTE D'ALIMENTATION

⚠ AVERTISSEMENT : Lorsque vous utilisez cet outil, habillez-vous convenablement pour réduire les risques de blessures. Ne portez pas de vêtements amples ni de bijoux. Portez des lunettes de sécurité. Portez un pantalon long et épais, des bottes et des gants. Ne portez pas de pantalon court ni de sandales. N'utilisez pas l'outil lorsque vous êtes pieds nus.

Tenez le cultivateur en plaçant une main sur la poignée arrière et l'autre main sur la poignée de manœuvre avant. Tenez fermement les poignées à deux mains lorsque vous utilisez le cultivateur. Tenez la poignée arrière à la hauteur des hanches pour assurer votre confort lorsque vous utilisez le cultivateur.

Tenez fermement l'article et distribuez votre poids sur vos deux pieds (figure 6).

Vous pouvez utiliser le cultivateur vers l'avant ou vers l'arrière, de gauche à droite, de droite à gauche ou dans un mouvement circulaire. Choisissez la meilleure méthode selon votre besoin, qui dépendra de la forme et de la taille de l'aire de travail ainsi que des conditions du sol.

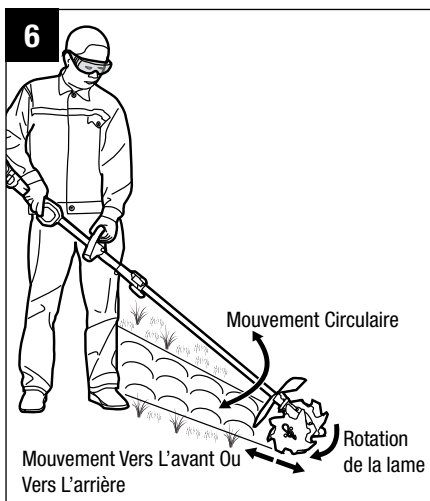
Le mouvement en alternance vers l'avant et vers l'arrière est idéal pour ameublir un sol compact.

Pour creuser des tranchées ou des sillons, reculez lentement en tirant le cultivateur. Répétez cette étape pour creuser des sillons plus profonds.

REMARQUE : Tirez soigneusement le cultivateur vers vous pendant qu'il creuse le sol pour réduire votre effort et faciliter le labourage.

La projection de matériaux peut blesser gravement l'utilisateur ou un passant. Afin de réduire les risques de blessure, vous devez prendre les précautions suivantes :

- Inspectez l'aire de travail et dégagez-la de tout objet caché qui pourrait se coincer dans les lames ou être projeté, comme le verre, les pierres, le béton, les fils pour clôture et les morceaux de métal. Évitez tout contact avec des corps étrangers durs ou solides.
- Vérifiez si les lames présentent des signes de dommages de façon régulière ou lorsqu'elles heurtent un objet dur. Ne continuez pas à utiliser une lame endommagée.
- Tenez toujours le cultivateur à deux mains lorsque vous l'utilisez. Tenez fermement les deux poignées.
- Déplacez le cultivateur jusqu'à l'aire de travail avant de le démarrer et mettez-le en marche à basse vitesse.



Avant chaque utilisation, vérifiez si des pièces sont endommagées ou usées.

Vérifiez les lames, le protecteur et la poignée de manœuvre avant, puis remplacez toute pièce fissurée, déformée, tordue ou endommagée.

⚠ AVERTISSEMENT : Portez toujours des gants épais lorsque vous installez ou retirez les lames. Faites attention aux lames et protégez vos mains pour éviter de vous couper avec celles-ci.

Nettoyez le cultivateur après chaque utilisation.

Des instructions pour le nettoyage de l'appareil se trouvent à la section Entretien.

⚠ AVERTISSEMENT : Assurez-vous que les lames sont complètement arrêtées et que le bloc-piles est retiré avant de nettoyer ou de réparer le cultivateur. Le non-respect de cet avertissement peut occasionner des blessures graves.

MISE EN MARCHÉ ET ARRÊT DE L'OUTIL

Voir la section « **DÉMARRAGE ET ARRÊT DE LA TÊTE D'ALIMENTATION** » du guide d'utilisation de la tête d'utilisation PH1400/PH1400-FC.

ENTRETIEN

⚠ AVERTISSEMENT : Lors de l'entretien, utilisez seulement des pièces de rechange identiques aux pièces d'origine. L'utilisation de toute autre pièce peut constituer un danger ou endommager le produit. Pour en assurer la sûreté et la fiabilité, toute réparation doit être effectuée par un technicien qualifié.

⚠ AVERTISSEMENT : Les outils munis d'un bloc-piles n'ont pas besoin d'être branchés sur une prise de courant. Par conséquent, ils sont toujours prêts à l'emploi. Pour prévenir des blessures graves, prenez des précautions particulières lorsque vous effectuez l'entretien ou des réparations, ou lorsque vous remplacez le dispositif de coupe ou d'autres pièces.

⚠ AVERTISSEMENT : Pour prévenir les blessures graves, retirez le bloc-piles de la tête d'alimentation et attendez que toutes les lames s'arrêtent lorsque vous souhaitez procéder à l'entretien, au nettoyage ou au remplacement des accessoires ou lorsque l'article n'est pas utilisé.

⚠ AVERTISSEMENT : Portez toujours des gants épais lorsque vous installez ou retirez une lame ou lorsque vous en effectuez l'entretien. Faites attention à la lame et protégez vos mains pour éviter de vous couper avec celle-ci.

ENTRETIEN GÉNÉRAL

Évitez d'utiliser des solvants sur les pièces en plastique. La plupart des plastiques peuvent être endommagés par divers types de solvants commerciaux. Utilisez un linge propre pour enlever la saleté, la poussière, l'huile, la graisse, etc.

⚠ AVERTISSEMENT : Ne laissez jamais du liquide de frein, de l'essence, des produits à base de pétrole, etc., entrer en contact avec les pièces en plastique. Les produits chimiques peuvent endommager, affaiblir ou détruire le plastique et entraîner ainsi des risques de blessures graves.

⚠ AVERTISSEMENT : Lors du nettoyage de l'accessoire de cultivateur, NE l'immergez PAS dans l'eau ou dans un autre liquide. Ne nettoyez pas votre machine à l'aide d'une laveuse à pression. Le jet d'eau plein peut endommager les pièces de la machine

ENTRETIEN DE LA LAME

- Entretenez régulièrement les lames avec de l'huile antirouille.
- Si vous devez remplacer une lame en raison de l'usure, remplacez les quatre lames pour obtenir un rendement optimal

Tout entretien du cultivateur, à l'exception des éléments énumérés dans ces instructions d'entretien, doit être effectué par un technicien autorisé.

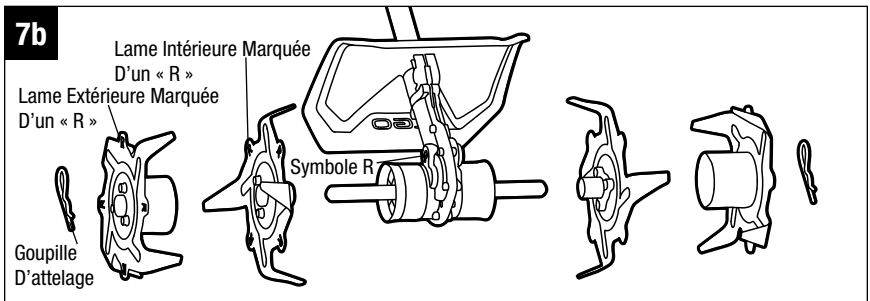
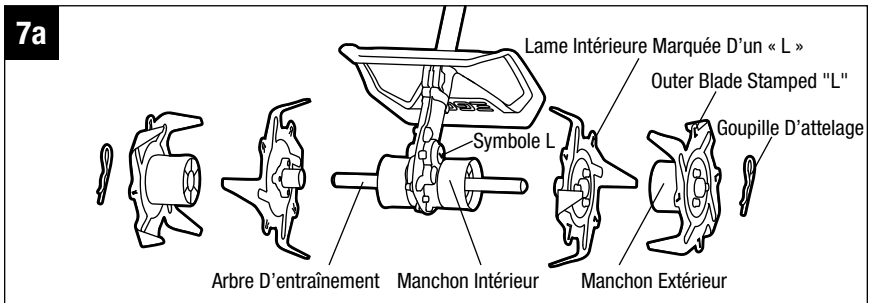
REPLACEMENT OU RÉGLAGE DES LAMES

⚠ AVERTISSEMENT : Une lame usée, fissurée ou endommagée peut se briser et les morceaux de la lame endommagée pourraient être projetés. Les objets propulsés peuvent causer de graves blessures. Inspectez régulièrement les lames et n'utilisez pas le cultivateur avec une lame usée ou endommagée.

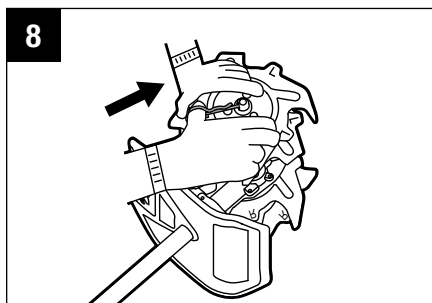
Remplacement

Le cultivateur est muni de quatre lames : deux lames internes et deux lames externes. Pour assurer le bon fonctionnement du cultivateur, les lames doivent être installées dans l'orientation adéquate. Les symboles R et L sont marqués sur les lames (figures 7a et 7b).

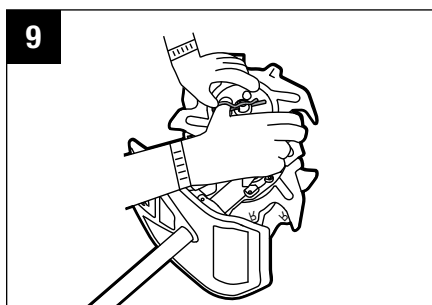
REMARQUE : LES LAMES QUI PRÉSENTENT DES DENTS ORIENTÉES DANS LES DEUX DIRECTIONS DOIVENT ÊTRE INSTALLÉES À L'INTÉRIEUR, À PROXIMITÉ DE LA BOÎTE À ENGRENAGE.



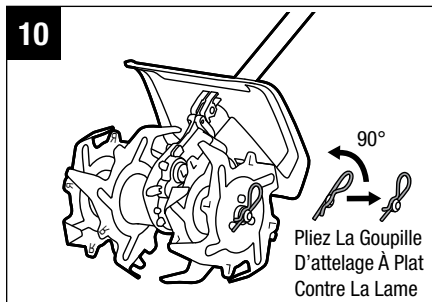
1. Portez des gants.
2. Placez la lame intérieure, marquée d'un « L » et dont les dents sont orientées dans les deux directions, à gauche de la boîte à engrenage. Le côté marqué d'un « L » doit être orienté vers l'extérieur



3. Placez la lame extérieure, marquée d'un « L » et dont les dents sont orientées dans une seule direction, sur le même côté. Le côté marqué d'un « L » doit être vers l'extérieur et le manchon extérieur doit être posé contre la lame intérieure.



4. Pour fixer la lame à l'arbre d'entraînement, insérez la goupille d'attelage dans le trou de verrouillage 1. Reportez-vous aux figures 8, 9 et 10.



5. Tournez l'outil afin que la lame installée soit appuyée contre le sol.
6. Placez la lame intérieure, marquée d'un « R » et dont les dents sont orientées dans les deux directions, à droite de la boîte à engrenage. Le côté marqué d'un « R » doit être orienté vers l'extérieur.
7. Placez la lame extérieure, marquée d'un « R » et dont les dents sont orientées dans une seule direction, sur le même côté. Le côté marqué d'un « R » doit être orienté vers l'extérieur et le manchon extérieur doit être posé contre la lame intérieure.
8. Pour fixer la lame à l'arbre d'entraînement, insérez la goupille d'attelage dans le trou de verrouillage 1. Reportez-vous aux figures 8, 9 et 10.

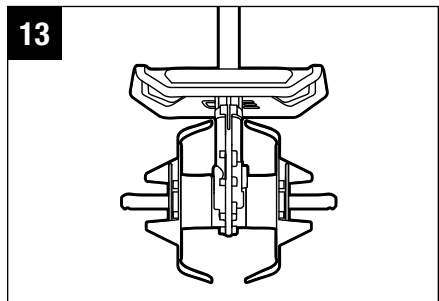
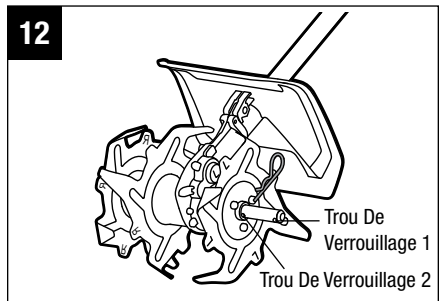
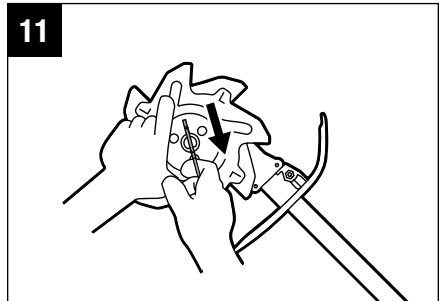
⚠ AVERTISSEMENT : L'appareil ne fonctionnera pas correctement ou pourrait constituer un danger pour l'utilisateur et les gens à proximité si les lames ne sont pas installées correctement. Si vous remarquez un problème de fonctionnement du cultivateur, vérifiez si les lames sont alignées correctement. **LES LAMES QUI PRÉSENTENT DES DENTS ORIENTÉES DANS LES DEUX DIRECTIONS DOIVENT ÊTRE INSTALLÉES À L'INTÉRIEUR, À PROXIMITÉ DE LA BOÎTE À ENGRENAGE.**

Ajustement

Lorsque vous labourez dans un espace restreint ou entre les rangées, vous pouvez employer le cultivateur en installant uniquement les lames intérieures.

Portez des gants. Retirez les deux goupilles d'attelage pour retirer les deux lames externes (figure 11), puis insérez les goupilles d'attelage dans les trous de verrouillage 2 (figures 12 et 13).

REMARQUE : Ne forcez pas l'installation ou le retrait des lames de l'arbre d'entraînement. Si vous éprouvez des difficultés à retirer les lames, appliquez de l'huile pénétrante sur l'arbre. Lorsque vous installez à nouveau les lames, assurez de nettoyer et d'huiler l'arbre d'entraînement et les lames.



NETTOYAGE DE L'APPAREIL

Des parties de plantes, comme les racines, peuvent s'enrouler fermement autour ou entre les lames en rotation pendant l'utilisation. Pour nettoyer les lames :

- Retirez le bloc-piles.
- Portez des gants. Nettoyez les morceaux de racines, de terre ou de plantes sur la lame, le protecteur ou la boîte à engrenage. Pour un nettoyage complet, retirez les lames et le protecteur et lavez-les soigneusement. Pour connaître les étapes de remplacement détaillées, veuillez consulter la section « **REMPLACEMENT OU RÉGLAGE DES LAMES** » ci-dessus.
- Nettoyez la surface de l'outil à l'aide d'un linge propre humecté d'une solution légèrement savonneuse. Assurez-vous que les événements d'aération ne sont jamais obstrués.

RANGEMENT DE L'APPAREIL

- Retirez le bloc-piles de l'outil.
- Portez des gants épais pour nettoyer soigneusement l'outil et inspecter les lames.
- Retirez l'accessoire de cultivateur de la tête d'alimentation, puis couvrez l'arbre d'accessoire d'un embout pour éviter que de la terre s'infilte dans le raccord.
- Rangez l'outil dans un endroit sec, bien aéré, surélevé ou verrouillé, et hors de portée des enfants. Ne rangez pas l'appareil sur des engrais, de l'essence ou d'autres produits chimiques, ni à proximité de ces produits.

DÉPANNAGE

PROBLÈME	CAUSE	SOLUTION
Le cultivateur ne démarre pas.	<ul style="list-style-type: none">■ Le bloc-piles n'est pas installé correctement dans la tête d'alimentation.■ Il n'y a pas de contact électrique entre la tête d'alimentation et le bloc-piles.■ Le bloc-piles est déchargé.■ Le levier de blocage et la gâchette ne sont pas enclenchés simultanément.	<ul style="list-style-type: none">■ Installez le bloc-piles sur la tête d'alimentation.■ Retirez le bloc-piles, vérifiez les contacts électriques, puis réinstallez le bloc-piles afin qu'il s'enclenche.■ Chargez le bloc-piles avec un chargeur EGO indiqué dans ce guide.■ Maintenez le levier de blocage enfoncé lorsque vous appuyez sur la gâchette pour démarrer l'appareil.

PROBLÈME	CAUSE	SOLUTION
<p>Le cultivateur s'arrête lors du labourage.</p>	<ul style="list-style-type: none"> ■ Le moteur est surchargé ■ Le bloc-piles ou la tête d'alimentation est trop chaud. ■ Les lames sont bloquées. ■ La batterie est déconnectée de l'outil. ■ Le bloc-piles est déchargé 	<ul style="list-style-type: none"> ■ Le moteur fonctionnera de nouveau sans problème lorsque la cause de la surcharge sera éliminée. Pour assurer un fonctionnement continu, réduisez la charge sur le cultivateur et évitez le labourage en profondeur. Effectuez plutôt des coupes de plus en plus profondes. ■ Laissez le bloc-piles et la tête d'alimentation refroidir; leur température doit être inférieure à 67 °C (152 °F). ■ Retirez le bloc-piles de la tête d'alimentation, faites pivoter manuellement les lames dans un mouvement de va-et-vient afin de retirer les pierres et d'autres obstacles entre les lames ou entre les lames et la boîte à engrenage. ■ Réinstallez le bloc-pile. ■ Chargez le bloc-piles avec un chargeur EGO indiqué dans ce guide

GARANTIE

POLITIQUE D'EGO EN MATIÈRE DE GARANTIE

Garantie limitée de 5 ans sur les équipements d'alimentation électrique d'extérieur EGO POWER+ et les équipements d'alimentation électrique portable pour un usage personnel et domestique.

Garantie limitée de 3 ans sur les blocs-piles et chargeurs du système EGO POWER+ pour un usage personnel et domestique.

Garantie limitée de 2 ans/1 an sur les équipements d'alimentation électrique d'extérieur, les équipements d'alimentation électrique portables, les blocs-piles et les chargeurs EGO pour un usage professionnel et commercial.

La durée et les détails de la garantie de chaque produit sont indiqués en ligne à l'adresse <http://egopowerplus.com/pages/warranty-policy>.

Veillez communiquer avec le service à la clientèle d'EGO au 1 855 EGO-5656 (numéro sans frais) pour toute question sur les réclamations au titre de la garantie.

GARANTIE LIMITÉE

Les produits EGO sont garantis contre tout défaut de matériel ou de fabrication à compter de la date d'achat d'origine pour la période de garantie applicable. Les produits défectueux recevront une réparation gratuite.

- a) Cette garantie s'applique uniquement à l'acheteur initial s'étant procuré le produit chez un détaillant EGO autorisé et est non transférable. La liste des détaillants EGO autorisés est publiée en ligne sur le site <http://egopowerplus.com/pages/warranty-policy>.
- b) La période de garantie pour les produits remis en état ou certifiés par l'usine utilisés à des fins résidentielles est de 1 an, et de 90 jours lorsqu'ils sont utilisés à des fins industrielles, professionnelles ou commerciales.
- c) La période de garantie pour les pièces d'entretien régulier, y compris, sans s'y limiter, les lames, les têtes de taille-bordure, les guides-chaînes, les chaînes de scie, les courroies, les barres de raclage, les buses de souffleur, ainsi que tous les autres accessoires EGO, est de 90 jours lorsqu'elles sont utilisées à des fins résidentielles et de 30 jours lorsqu'elles sont utilisées à des fins industrielles, professionnelles ou commerciales. Ces pièces sont couvertes contre les défauts de fabrication pour une période de 90 jours ou de 30 jours si elles sont utilisées dans des conditions de travail normales.

- d) La présente garantie n'est pas valide si le produit a été utilisé aux fins de location.
- e) La présente garantie ne couvre pas les dommages résultant d'une modification, d'une altération ou d'une réparation non autorisée.
- f) Cette garantie couvre uniquement les défauts survenant dans des conditions normales d'utilisation et ne couvre aucun dysfonctionnement ou défaut ni aucune défaillance découlant d'un usage inapproprié ou abusif (notamment la surcharge du produit et son immersion dans l'eau ou dans tout autre liquide), d'un accident, d'une négligence, d'une installation inadéquate et de tout entretien ou entreposage inadéquat.
- g) La présente garantie ne couvre pas la détérioration normale du fini extérieur, notamment les rayures, les bosselures, les craquelures de la peinture ou toute corrosion ou décoloration résultant de la chaleur, de produits abrasifs ou de nettoyeurs chimiques.

RÉCLAMATION AU TITRE DE LA GARANTIE

Pour faire une réclamation au titre de la garantie, veuillez communiquer avec le service à la clientèle d'EGO au **1 855 EGO-5656** (numéro sans frais). Lorsque vous faites une réclamation au titre de la garantie, vous devez présenter le reçu de vente original. Un centre de service autorisé sera sélectionné pour la réparation du produit conformément aux conditions de garantie prescrites. Il se peut qu'un petit dépôt soit exigé lorsque vous laissez votre outil dans un centre de service autorisé. Ce dépôt est remboursable lorsque le service de réparation est considéré comme étant couvert par la garantie.

RESTRICTIONS SUPPLÉMENTAIRES

Dans la mesure permise par la loi en vigueur, toutes les garanties implicites, y compris les garanties de QUALITÉ MARCHANDE ou D'ADÉQUATION À UN USAGE PARTICULIER, sont exclues. Toute garantie implicite, y compris la garantie de qualité marchande ou d'adéquation à un usage particulier, qui ne peut être rejetée en vertu de la loi de l'État ou de la province est limitée à la période de garantie applicable définie au début de cet article.

Chervon North America n'est pas responsable des dommages accessoires, consécutifs, indirects ou directs.

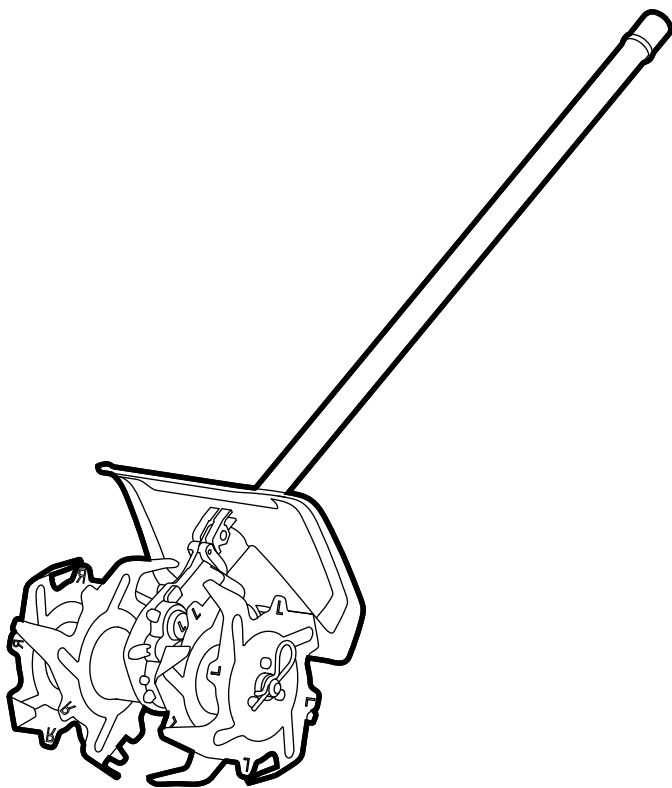
Certaines provinces n'autorisent pas les restrictions de durée de garantie implicite, ou l'exclusion ou la restriction des dommages consécutifs et accessoires; c'est pourquoi les restrictions ci-dessus peuvent ne pas s'appliquer à votre cas.

Cette garantie vous confère des droits précis. Il est possible que vous disposiez également d'autres droits, qui varient d'une province à l'autre.

Pour communiquer avec le service à la clientèle, veuillez composer le numéro sans frais suivant : **1 855 EGO-5656** ou consulter le site Web **EGOPOWERPLUS.COM**.

EGO Customer Service, 769 SEWARD AVE NW / Suite 102 Grand Rapids, MI 49504, États-Unis.

EGO™



PARA USO EXCLUSIVO CON EL
CABEZAL ELÉCTRICO EGO POWER+
PH1400/PH1400-FC

MANUAL DEL OPERADOR **ACCESORIO PARA LA CULTIVADORA** MODELO NÚMERO CTA9500/CTA9500-FC

⚠ ADVERTENCIA: para reducir el riesgo de lesiones, el usuario debe leer y comprender el Manual del usuario antes de usar este producto. Guarde estas instrucciones para consultarlas en el futuro.

ÍNDICE

Símbolos de seguridad	66
Instrucciones de seguridad	67-74
Introducción	75
Especificaciones	75
Lista de empaque	75
Descripción	76-77
Ensamblaje	78-81
Funcionamiento	82-84
Mantenimiento	85-89
Solución de problemas	90-91
Garantía	92-94

¡LEA TODAS LAS INSTRUCCIONES!



LEA Y COMPRENDA EL
MANUAL DEL USUARIO

⚠ ADVERTENCIA: Parte del polvo producto del lijado, aserrado, esmerilado, taladrado y otras actividades de construcción, contiene sustancias químicas que el estado de California reconoce como causantes de cáncer, defectos congénitos u otros daños al sistema reproductor. Algunos ejemplos de estas sustancias químicas son los siguientes:

- Plomo de pinturas a base de plomo;
- Sílice cristalina de ladrillos, cemento y otros productos de mampostería; y
- Arsénico y cromo de madera tratada químicamente.

El riesgo de sufrir estas exposiciones varía según la frecuencia con que realice este tipo de trabajo. Medidas para reducir la exposición a estos químicos: trabaje en un lugar bien ventilado y con equipos de seguridad aprobados, como las mascarillas antipolvo que están diseñadas especialmente para filtrar partículas microscópicas.

SÍMBOLOS DE SEGURIDAD

El propósito de los símbolos de seguridad es alertarlo sobre posibles peligros. Los símbolos de seguridad y sus explicaciones merecen una atención y comprensión minuciosas. Las advertencias de los símbolos, por sí mismas, no eliminan los peligros. Las instrucciones y las advertencias no sustituyen las medidas de prevención de accidentes que correspondan.

⚠ ADVERTENCIA: Antes de utilizar esta herramienta, asegúrese de leer y comprender todas las instrucciones de seguridad en este Manual del usuario, incluidos todos los símbolos de alerta de seguridad como “**PELIGRO**”, “**ADVERTENCIA**” y “**PRECAUCIÓN**”. No seguir todas las instrucciones que se indican a continuación podría resultar en descargas eléctricas, incendios y/o lesiones personales graves.

SIGNIFICADO DE LOS SÍMBOLOS

⚠ SÍMBOLO DE ALERTA DE SEGURIDAD: Indica **PELIGRO**, **ADVERTENCIA** O **PRECAUCIÓN**. Puede aparecer junto con otros símbolos o pictografías.





⚠ ¡ADVERTENCIA! La utilización de herramientas eléctricas puede hacer que algunos objetos extraños golpeen los ojos y cause heridas graves. Antes de comenzar a operar una herramienta eléctrica, use siempre gafas protectoras o gafas de seguridad con blindaje lateral y un protector facial si es necesario. Le recomendamos usar una máscara de seguridad de visión amplia sobre anteojos o gafas de seguridad estándar con protección lateral. Use siempre lentes de protección con la marca de cumplimiento de la norma ANSI Z87.1.

INSTRUCCIONES DE SEGURIDAD

Esta página muestra y describe los símbolos de seguridad que pueden aparecer en este producto. Lea, comprenda y siga todas las instrucciones de la máquina antes de ensamblarla y utilizarla.

	<p>Alerta de seguridad</p>	<p>Indica que existe el riesgo de que se produzcan lesiones personales.</p>
	<p>Lea y comprenda el Manual del usuario</p>	<p>Para reducir el riesgo de lesiones, el usuario debe leer y comprender el Manual del operador antes de utilizar este producto.</p>
	<p>Use lentes de protección</p>	<p>Cuando utilice este producto, siempre use gafas o lentes de seguridad con protecciones laterales.</p>
	<p>Use guantes de protección</p>	<p>Use guantes para proteger las manos cuando manipule las cuchillas. Los guantes para trabajo pesado antideslizantes mejoran el agarre y protegen las manos.</p>
	<p>Rebote</p>	<p>Los objetos que lanza la máquina pueden rebotar y producir lesiones personales o daños a la propiedad.</p>
	<p>Mantenga las manos y los pies alejados</p>	<p>Nunca intente utilizar este producto con una mano. Si pierde el control de este producto puede sufrir lesiones graves o mortales. Para reducir el riesgo de sufrir lesiones por corte, mantenga las manos y los pies alejados de las cuchillas giratorias. Nunca toque las cuchillas giratorias con la mano o con ninguna otra parte del cuerpo.</p>

	<p>Peligro: riesgo de descarga eléctrica</p>	<p>Para reducir el riesgo de sufrir una descarga eléctrica, asegúrese de que no hayan cables de alimentación enterrados que puedan transmitir corriente eléctrica y que puedan entrar en contacto con la herramienta de trabajo. Si se dañan los cables con la herramienta puede provocar descargas eléctricas y causar lesiones graves o mortales.</p>
	<p>Símbolos de reciclaje</p>	<p>Este producto utiliza baterías de iones de litio. Las leyes locales, estatales o federales podrían prohibir la eliminación de baterías en basureros comunes. Consulte con la autoridad reguladora de desechos local para obtener información sobre las opciones de reciclaje o eliminación disponibles.</p>
<p>IPX4</p>	<p>Grado de protección de admisión</p>	<p>Protección contra las salpicaduras</p>
<p>V</p>	<p>Voltio</p>	<p>Voltaje</p>
<p>mm</p>	<p>Milímetro</p>	<p>Largo o tamaño</p>
<p>in.</p>	<p>Pulgada</p>	<p>Largo o tamaño</p>
<p>kg</p>	<p>Kilogramo</p>	<p>Peso</p>
<p>lb</p>	<p>Libra</p>	<p>Peso</p>

ADVERTENCIAS GENERALES DE SEGURIDAD PARA EL MANEJO DE HERRAMIENTAS ELÉCTRICAS QUE FUNCIONAN A BATERÍA

⚠ ADVERTENCIA lea todas las advertencias de seguridad, las instrucciones, las imágenes y las especificaciones que se incluyen con esta herramienta eléctrica. No seguir todas las instrucciones que se detallan a continuación podría provocar descargas eléctricas, incendios o lesiones graves.

Guarde todas las advertencias e instrucciones en caso de que necesite consultarlas en el futuro.

SEGURIDAD EN EL ÁREA DE TRABAJO

- **Mantenga el área de trabajo limpia y bien iluminada.** Las áreas desordenadas u oscuras aumentan las posibilidades de sufrir accidentes.
- **No utilice herramientas eléctricas en atmósferas en las que exista riesgo de explosión, como en presencia de líquidos inflamables, gases o polvo.** Las herramientas eléctricas producen chispas que podrían encender el polvo o humo.
- **Mantenga a los niños y a las personas que se encuentran cerca alejados mientras utiliza una herramienta eléctrica.** Las distracciones pueden provocar que pierda el control.

SEGURIDAD PERSONAL

- **Manténgase alerta, preste atención a lo que hace y utilice el sentido común cuando utilice una herramienta eléctrica. No utilice una herramienta eléctrica si está cansado o bajo los efectos de drogas, alcohol o medicamentos.** Un momento de desatención mientras opera herramientas eléctricas puede provocar lesiones personales graves.
- **Siempre use un equipo de protección personal.** Los equipos de protección personal, como lentes de protección, mascarillas antipolvo, zapatos de seguridad antideslizantes, cascos protectores o auriculares de seguridad, utilizados para condiciones adecuadas, disminuyen las lesiones personales.
- **Evite un arranque accidental. Asegúrese de que el interruptor esté en la posición de apagado antes de conectar el paquete de baterías, levantar o transportar la herramienta.** Transportar herramientas eléctricas con el dedo en el interruptor o enchufar herramientas eléctricas que tienen el interruptor encendido aumenta las posibilidades de accidentes.

- **Antes de encender la herramienta eléctrica, retire todas las llaves de ajuste o las llaves inglesas.** Si se deja una llave inglesa o una llave conectada a una pieza en movimiento de la herramienta eléctrica, se pueden producir lesiones personales.
- **No se extienda demasiado. Mantenga una postura y un equilibrio adecuados en todo momento.** Esto permite controlar mejor la herramienta eléctrica ante situaciones inesperadas.
- **Use ropa adecuada. No use ropa holgada ni joyas.** Mantenga el cabello y la ropa alejados de las piezas en movimiento. La ropa holgada, las joyas o el cabello largo pueden quedar atrapados en las piezas en movimiento.
- **Si se proporcionan dispositivos para la conexión de instalaciones de extracción y recolección de polvo, asegúrese de que se conecten y se usen de manera adecuada.** Utilizar un sistema de recolección de polvo puede disminuir los peligros relacionados con el polvo.
- **No permita que la familiaridad que obtiene por el uso frecuente de las herramientas provoque que no tenga en cuenta los principios de seguridad a la hora de manejar las herramientas.** Un descuido puede ocasionar una lesión grave en cuestión de segundos.

USO Y CUIDADO DE LAS HERRAMIENTAS ELÉCTRICAS

- **No fuerce la herramienta eléctrica. Utilice la herramienta eléctrica adecuada para su tarea.** Si utiliza la herramienta eléctrica adecuada podrá realizar un trabajo más seguro y de mejor calidad al ritmo de trabajo para el que se diseñó.
- **No utilice la herramienta eléctrica si no se enciende o apaga con el interruptor.** Cualquier herramienta eléctrica que no se pueda controlar con el interruptor es peligrosa y se debe reparar.
- **Retire el paquete de baterías de la herramienta eléctrica, si es posible, o active cualquier dispositivo de desactivación de la batería antes de limpiar material atascado, realizar cualquier ajuste, cambiar accesorios, limpiar o almacenar herramientas eléctricas.** Este tipo de medidas de seguridad preventivas permiten reducir el riesgo de que la herramienta eléctrica se encienda de manera accidental.
- **Almacene las herramientas eléctricas que no estén en uso fuera del alcance de los niños y no permita que las personas que no conozcan cómo usar la herramienta o estas instrucciones la utilicen.** Las herramientas eléctricas son peligrosas en manos de usuarios no calificados.

- **Realice mantenimiento a las herramientas eléctricas y a los accesorios. Verifique si hay piezas móviles desalineadas, torcidas, rotas y si existe cualquier otra condición que pueda afectar el funcionamiento de la herramienta eléctrica. Si se daña la herramienta eléctrica, pídale a alguien que la repare antes de usarla.** Muchos accidentes son producto del mantenimiento incorrecto de las herramientas eléctricas y los accesorios.
- **Mantenga las herramientas de corte afiladas y limpias.** Las herramientas de corte que se mantienen de manera adecuada, con los bordes de corte afilados, tienen menos posibilidades de trabarse y son más fáciles de controlar.
- **Use la herramienta eléctrica, los accesorios, las brocas, etc. de acuerdo con estas instrucciones; tenga en cuenta las condiciones laborales y el trabajo que desea realizar.** Si usa la herramienta eléctrica en operaciones para las que no fue diseñada podría generar una situación de peligro.
- **Mantenga las manijas y las superficies de agarre secas, limpias y sin aceite ni grasa.** Los mangos y las superficies de agarre húmedos podrían causar una manipulación insegura o pérdida del control de la herramienta.
- **Mantenga los cables alejados del área de trabajo de la herramienta.** Durante su funcionamiento, es posible que los cables permanezcan ocultos y la herramienta los dañe por accidente.

USO Y CUIDADO DE LA HERRAMIENTA A BATERÍA

- **Use solo el cargador que indica el fabricante para recargar la batería.** Si se utiliza un cargador que es adecuado para un tipo de paquete de baterías con otro paquete de baterías puede generar un riesgo de incendio. Use solamente los paquetes de baterías y los cargadores que se indican a continuación.

PAQUETE DE BATERÍAS	CARGADOR
BA1120, BA1120-FC, BA1400, BA1400-FC, BA2240, BA2240-FC, BA2800, BA2800-FC, BA4200, BA4200-FC, BA1400T, BA1400T-FC, BA2800T, BA2800T-FC, BA4200T, BA4200T-FC	CH2100, CH2100-FC, CH5500, CH5500-FC

- **Use las herramientas eléctricas solo con los paquetes de baterías designados específicamente para estas.** Si usa cualquier otro paquete de baterías puede provocar una lesión o un incendio.

- **Cuando el paquete de baterías no esté en uso, aléjelo de objetos metálicos, como sujetapapeles, monedas, llaves, clavos, tornillos u otros objetos metálicos pequeños que pudieran crear una conexión entre los terminales.** Es posible que conectar los terminales de la batería entre sí produzca quemaduras o un incendio.
- **En condiciones de maltrato, es posible que salga líquido de la batería. Evite mantener contacto. Si se produce un contacto accidental, enjuague con agua. Si el líquido entra en contacto con los ojos, solicite atención médica adicional.** El líquido que sale de la batería puede provocar irritación o quemaduras.
- **No utilice un paquete de baterías ni una herramienta si están dañadas o modificadas.** Las baterías dañadas o modificadas pueden presentar un comportamiento impredecible que podría provocar incendios, explosiones o riesgo de lesiones.
- **No exponga el paquete de baterías ni la herramienta al fuego o a una temperatura excesiva.** La exposición al fuego o a las temperaturas superiores a 100 °C (212 °F) puede provocar una explosión.
- **Siga todas las instrucciones de carga y no cargue el paquete de baterías ni las herramientas fuera del rango de temperatura que se especifica en las instrucciones.** Si carga la batería de forma inadecuada o a temperaturas fuera del rango especificado podría dañar la batería y aumentar el riesgo de incendio.

REPARACIÓN

- **Solo una persona capacitada puede reparar la herramienta eléctrica, únicamente mediante el uso de piezas de repuesto idénticas.** De esta forma se podrá garantizar la seguridad de la herramienta eléctrica.
- **Nunca realice mantenimiento a los paquetes de batería.** Solo el fabricante o los proveedores de servicio autorizados pueden realizar el mantenimiento de los paquetes de baterías.

INSTRUCCIONES DE SEGURIDAD PARA LA CULTIVADORA

- **Mantenga las manos lejos de las cuchillas.**
- No use el producto cerca de cables eléctricos subterráneos, teléfonos, líneas, tuberías o mangueras. Si tiene dudas, póngase en contacto con su compañía de servicios o telefónica para ubicar los servicios subterráneos.

- Manténgase completamente alejado de las cuchillas giratorias ya que pueden provocar lesiones graves.
- Tenga mucho cuidado al invertir o jalar la máquina hacia usted.
- Si la cultivadora comienza a vibrar de manera anormal o comienza a hacer ruidos, detenga el motor y busque la causa de inmediato. Por lo general, los ruidos anormales advierten acerca de un problema.
- Mantenga los sujetadores ajustados para asegurarse de que la cultivadora se encuentre en una condición de trabajo segura.
- Antes de usar la herramienta, verifique que los pasadores de enganche estén completamente insertados en el eje de la cuchilla.
- No utilice un equipo electromecánico si se cayó o está dañado. Lleve el producto al distribuidor de servicio autorizado más cercano para que realicen una inspección y reparación.
- Antes de usar el producto, asegúrese de que todos los protectores adecuados y otros dispositivos de seguridad estén asegurados de manera correcta.
- Sea muy cuidadoso al momento de arar un terreno duro. Las cuchillas se podrían atascar en el suelo e impulsar la cultivadora hacia adelante.
- No intente arar muy profundo a un ritmo muy rápido, ya que puede sobrecargar la capacidad de la máquina.
- Inspeccione el área donde se utilizará la herramienta y retire todos los objetos extraños que encuentre.
- **No cargue el paquete de baterías en un lugar húmedo o mojado.**
- **No incinere la batería. Las celdas pueden explotar.** Consulte los códigos locales para obtener instrucciones especiales sobre cómo eliminar las baterías.
- **No abra ni mutile la batería.** Los electrolitos liberados son corrosivos y pueden causar daños en los ojos o la piel. Pueden ser tóxicos si se ingieren.
- **Las herramientas que funcionan a batería no se deben enchufar en un tomacorriente; por lo tanto, siempre están en condiciones de funcionamiento.** Tenga en cuenta los posibles peligros incluso cuando no use la herramienta. Tenga cuidado cuando lleve a cabo la reparación o el mantenimiento.
- **No lave la herramienta con una manguera; evite que ingrese agua al motor y a las conexiones eléctricas.**

- **Si se presenta alguna situación que no aparece en este manual, tenga cuidado y aplique su criterio. Comuníquese con el Departamento de Servicio al Cliente de EGO para obtener ayuda.**
- **GUARDE ESTAS INSTRUCCIONES.** Consúltelas de manera periódica y utilícelas para capacitar a otras personas que puedan utilizar esta herramienta. Si le presta la herramienta a otra persona, proporciónese también estas instrucciones para evitar que utilice el producto de forma incorrecta y que se produzcan posibles lesiones.

NOTA: CONSULTE EL MANUAL DEL OPERADOR PARA LOS CABEZALES ELÉCTRICOS PARA OBTENER INFORMACIÓN ADICIONAL Y ESPECÍFICA SOBRE LAS NORMAS DE SEGURIDAD.

INTRODUCCIÓN

Felicitaciones por elegir el cabezal motor EGO de iones de litio de 56 voltios. Este está pensado, diseñado y fabricado para brindarle el mejor rendimiento y la mejor confiabilidad posibles.

En caso de que tuviera algún problema que no pudiera resolver fácilmente, póngase en contacto con el Centro de Servicio al Cliente de EGO al 1-855-EGO-5656.

NÚMERO DE SERIE _____ FECHA DE COMPRA _____
DEBE ANOTAR EL NÚMERO DE SERIE Y LA FECHA DE COMPRA Y CONSERVARLOS EN UN LUGAR SEGURO PARA CONSULTARLOS EN EL FUTURO.

ESPECIFICACIONES

Tamaño De Cuchilla	215 mm (8-1/2")
Profundidad Del Arado	215 mm (8-1/2")
Ancho Del Arado	240 mm (9-1/2")
Temperatura De Funcionamiento	0°C a 40°C (32°F a 104°F)
Temperatura De Almacenaje	-4 °F a 158 °F (-20 °C a 70 °C)
Peso (Incluido El Protector)	3,9 kg (8,6 lbs.)

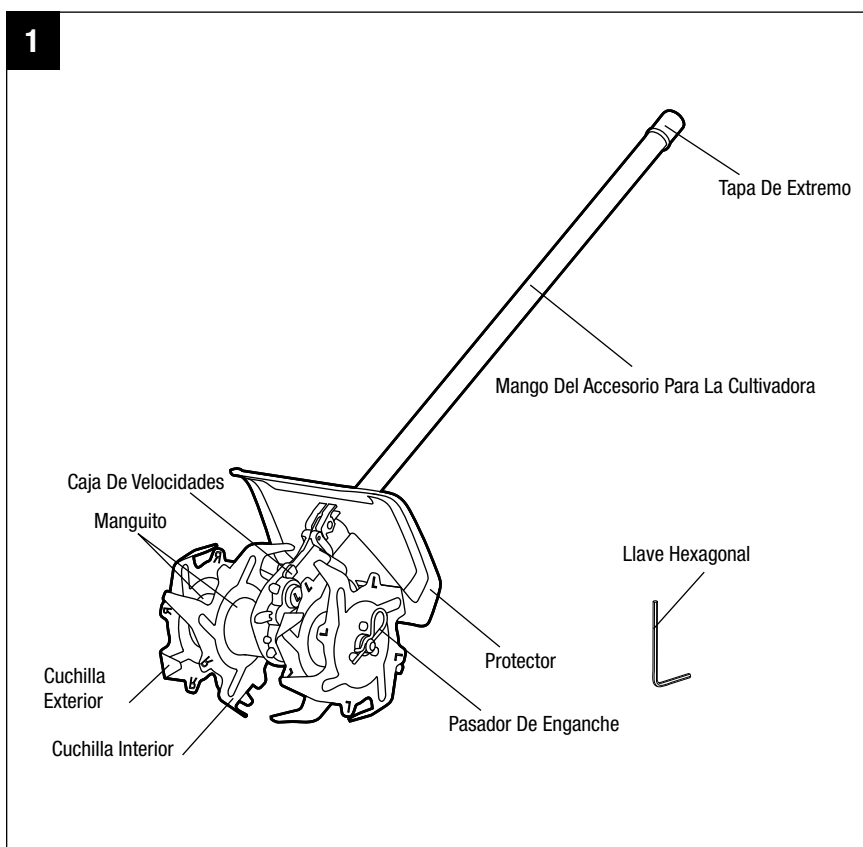
LISTA DE EMPAQUE

NOMBRE DE LA PIEZA	CANTIDAD
Accesorio Para La Cultivadora	1
Protector (Con Perno)	1
Llave Hexagonal	1
Manual Del Operador	1

DESCRIPCIÓN

CONOZCA EL ACCESORIO PARA LA CULTIVADORA (Fig. 1)

Para usar este producto de manera segura, debe comprender la información que se presenta junto con la herramienta y en el manual del operador; también debe tener conocimiento sobre el proyecto que intenta llevar a cabo. Antes de usar este producto, debe conocer todas las características de funcionamiento y las normas de seguridad.



⚠ ADVERTENCIA: nunca utilice la herramienta sin antes colocar el protector firmemente en su lugar. El protector siempre debe estar en la herramienta para proteger al usuario.

TAPA DEL EXTREMO

Quando no utilice la herramienta, esta pieza evita que ingrese polvo y desechos a través del mango.

PROTECTOR

Reduce el riesgo de sufrir lesiones provocadas por los objetos extraños que lanza la herramienta hacia atrás en dirección al operador y el riesgo provocado por mantener contacto con las cuchillas.

PASADOR DE ENGANCHE

Permite asegurar las cuchillas y simplifica el proceso de retiro e instalación de las cuchillas.

MANGUITOS

Los cuatro manguitos ayudan a prevenir o reducir la cantidad de césped que se entrelaza en el eje motor.

CUCHILLAS INTERIORES

Cuchillas de metal con dientes curvos que apuntan en dos direcciones.

CUCHILLAS EXTERIORES

Cuchillas de metal con dientes curvos que apuntan a la misma dirección.

LLAVE HEXAGONAL

Se utiliza para bloquear o desbloquear el tornillo hexagonal del protector o de las cuchillas.

ENSAMBLAJE

⚠ ADVERTENCIA: si hay piezas dañadas o faltan piezas, no utilice el producto hasta que las reemplace. Usar este producto con piezas dañadas o faltantes podría provocar lesiones personales graves.

⚠ ADVERTENCIA: No intente modificar este producto ni crear accesorios que no sean recomendados para utilizar con este producto. Cualquier alteración o modificación se considera un uso inapropiado y podría generar una condición peligrosa y provocar lesiones personales graves.

⚠ ADVERTENCIA: siempre use guantes para trabajo pesado cuando instale o retire la cuchilla o cuando lleve a cabo el mantenimiento de la cuchilla. Tenga cuidado con la cuchilla y proteja sus manos para evitar que se produzcan lesiones.

⚠ ADVERTENCIA: no conecte la cultivadora al cabezal eléctrico hasta finalizar el ensamblaje. De lo contrario, puede producirse un arranque accidental de la herramienta, lo que puede provocar lesiones graves.

RETIRO DEL EMPAQUE

- Este producto requiere de ensamblado.
- Retire el producto y los accesorios de la caja cuidadosamente. Asegúrese de que estén incluidos todos los elementos que figuran en la lista de empaque.

⚠ ADVERTENCIA: si, luego de retirar el producto del empaque, nota que ya cuenta con algunas piezas de la lista de empaque ensambladas, no lo use. El fabricante no vende el producto con las piezas de la lista ensambladas; el cliente debe ensamblarlas. Si se usa un producto con piezas ensambladas de manera incorrecta, se pueden producir lesiones personales graves.

- Inspeccione la herramienta con cuidado para asegurarse de que no se produjo ninguna ruptura o daño durante el envío.
- No deseche el material de embalaje hasta que haya inspeccionado con cuidado y haya utilizado la herramienta de manera satisfactoria.
- Si hay piezas faltantes o dañadas, devuelva este producto al lugar donde lo compró.

MONTAJE DEL PROTECTOR

⚠ ADVERTENCIA: coloque el protector antes de conectar el accesorio de la cultivadora al cabezal eléctrico.

1. Con la llave hexagonal que se suministra, afloje y retire el perno del protector (Fig. 2).
2. Levante el mango del accesorio para la cultivadora y retire la tapa del extremo del mango.
3. Una vez que la ranura del protector esté alineada con el borde del extremo del mango, pase el protector a través del mango hasta que los orificios para tornillos que se encuentran en el protector y en el mango estén alineados (Fig. 3 y 4).
4. Utilice la llave hexagonal que se suministra para ajustar el perno en dirección de las manecillas del reloj para asegurar el protector.

CÓMO CONECTAR EL ACCESORIO DE LA CULTIVADORA AL CABEZAL ELÉCTRICO

⚠ ADVERTENCIA: Nunca coloque ni ajuste ningún accesorio si el cabezal eléctrico está funcionando o con la batería instalada. El no detener el motor y el retirar la batería puede ocasionar lesiones personales graves.

Este accesorio de la cultivadora está diseñado para utilizarse con el cabezal eléctrico EGO PH1400/PH1400-FC.

El accesorio de la cultivadora se conecta al cabezal eléctrico por medio del dispositivo acoplador.

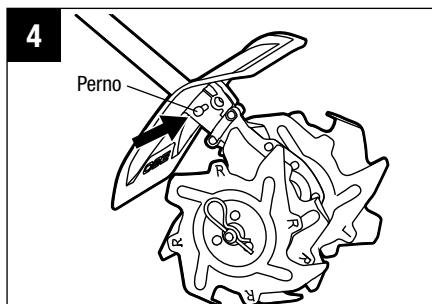
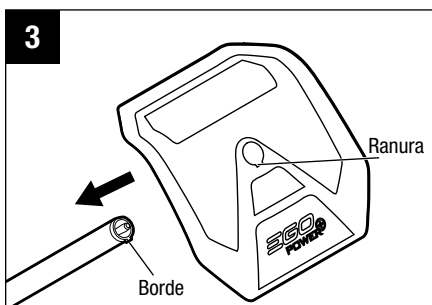
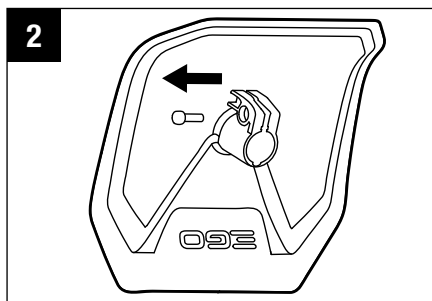
1. Detenga el motor y retire el paquete de baterías.

2. Afloje la perilla mariposa del acoplador del cabezal eléctrico.

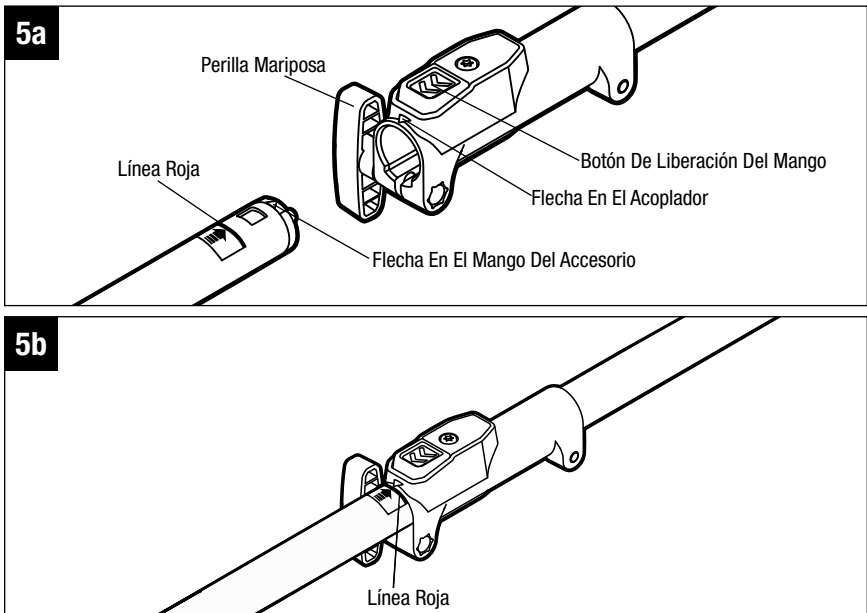
3. Si la tapa del extremo se encuentra en el mango del accesorio, retírela y colóquela en un lugar seguro para utilizarla después. Alinee la flecha que se encuentra en el mango de la cultivadora con la flecha en el acoplador (Fig. 5a) y presione el mango de la cultivadora contra el acoplador hasta escuchar un "CLIC". El acoplador se debe colocar por completa hasta la etiqueta **LÍNEA ROJA** que se encuentra en el mango: la marca de línea roja debe estar al ras con el borde del acoplador (Fig. 5b).

4. Jale el mango del accesorio de la cultivadora para verificar que esté asegurado con firmeza en el acoplador. Si no lo está, gire el mango de la cultivadora de lado a lado en el acoplador hasta escuchar un "CLIC" que indique que se enganchó.

5. Ajuste firmemente la perilla mariposa.



⚠ ADVERTENCIA: asegúrese de que la perilla mariposa en el acoplador esté completamente ajustada antes de utilizar el equipo y verifique de manera periódica que esté bien asegurada con el fin de evitar que se produzcan daños personales graves.



CÓMO RETIRAR EL ACCESORIO DEL CABEZAL ELÉCTRICO

1. Detenga el motor y retire el paquete de baterías.
2. Afloje la perilla mariposa.
3. Presione el botón de liberación del mango y, sin presionar el botón, jale o gire el mango del accesorio de la cultivadora del acoplador para separarlo del cabezal eléctrico.

FUNCIONAMIENTO

⚠ ADVERTENCIA: no se descuide por el hecho de conocer cómo funciona el producto. Recuerde que un descuido de una fracción de segundo es suficiente para sufrir lesiones graves.

⚠ ADVERTENCIA: siempre use lentes de protección que cumplan con la norma ANSI Z87.1. De lo contrario, los objetos que salgan despedidos pueden ingresar en los ojos y provocar otras lesiones graves.

⚠ ADVERTENCIA: no utilice ningún acoplamiento o accesorio que el fabricante de este producto no recomiende. Si utiliza acoplamientos o accesorios no recomendados puede sufrir lesiones personales graves.

APLICACIONES

Puede usar este producto para los fines que se indican a continuación:

- Romper la tierra para jardín y preparar semilleros para volver a plantar.
- Realizar un cultivo superficial para retirar las raíces de las malezas o aflojar la tierra alrededor de las plantas y facilitar la penetración del aire o el agua hasta las profundidades del suelo.
- Colocar capas de abono, hojas u otros fertilizantes orgánicos en el suelo. El cultivo superficial permitirá aflojar la capa superior del suelo e integrar los nutrientes adicionales.
- Cavar zanjas o surcos en el suelo flojo.

AVISO: para evitar que se produzca cualquier daño a la cultivadora o a los árboles, tenga cuidado de no atascar las cuchillas en las raíces grandes de los árboles. Evite cultivar demasiado profundo, ya que podría dañar las raíces superficiales de algunas plantas.

CÓMO USAR EL ACCESORIO DE LA CULTIVADORA CON EL CABEZAL ELÉCTRICO

⚠ ADVERTENCIA: use ropa adecuada para reducir el riesgo de sufrir lesiones cuando utilice esta herramienta. No use ropa holgada ni joyas. Use lentes de protección. Use pantalones largos y pesados, botas y guantes. No use pantalones cortos ni sandalias, ni la utilice con los pies descalzos.

Coloquen una mano en la manija trasera y la otra mano en la manija de ayuda frontal para sostener la cultivadora. Agarre la cultivadora firmemente con ambas manos mientras la utiliza. La cultivadora se debe colocar en una posición cómoda y se debe mantener la manija trasera a la altura de la cadera.

Sosténgala y mantenga el equilibrio en ambos pies (Fig. 6).

Puede utilizar la cultivadora hacia adelante o hacia atrás, de izquierda a derecha, de derecha a izquierda o realizar movimientos circulares. Elija el método que mejor se adapte al objetivo que desea implementar, el cual depende de la forma y el tamaño del área y las condiciones del suelo.

Trabajar realizando movimientos alternativos hacia atrás y hacia adelante es particularmente adecuado para aflojar el suelo compacto.

Cuando cave una zanja o haga surcos, camine lentamente hacia atrás y tire de la cultivadora para hacer el surco. Repita estos pasos según sea necesario para hacer surcos más profundos.

AVISO: si tira de la cultivadora con cuidado hacia usted mientras cava en el suelo reducirá el esfuerzo que realiza y será más fácil llevar a cabo el arado.

Los materiales que salen despedidos pueden provocar daños graves al operador o a las personas que se encuentren cerca. Para reducir el riesgo de sufrir lesiones personales, es fundamental que tome las siguientes precauciones:

- Inspeccione y limpie el área para retirar cualquier objeto oculto, tales como vidrio, piedras, rocas, concreto, alambre para cerca, piezas de metal, etc., que puedan salir despedidos o que se puedan enredar en las cuchillas. Evite mantener contacto con objetos extraños duros o sólidos.
- Inspeccione las cuchillas regularmente y, a veces, para detectar si hay signos de daños o después de golpear un objeto duro. No continúe trabajando si se dañó una cuchilla.



- Sostenga la cultivadora con ambas manos cuando la utilice. Sujete las manijas con firmeza.
- Mueva la cultivadora hasta el área de trabajo antes de arrancar la cultivadora a una velocidad más baja.

Antes de utilizar el producto, verifique que las piezas no estén desgastadas o dañadas.

Verifique las cuchillas, el protector y la manija de ayuda frontal y reemplace cualquier pieza que esté agrietada, deformada, doblada o dañada de alguna manera.

⚠ ADVERTENCIA: siempre use guantes para trabajo pesado cuando instale o retire las cuchillas. Tenga cuidado con las cuchillas y proteja sus manos para evitar que se produzcan lesiones.

Siempre limpie la cultivadora después de usarla.

Consulte la sección de mantenimiento para obtener información sobre las instrucciones de limpieza.

⚠ ADVERTENCIA: antes de limpiar o reparar la cultivadora, asegúrese de que las cuchillas se detengan por completo y de retirar la batería. No cumplir con estos pasos podría provocar lesiones personales graves.

CÓMO ENCENDER/DETENER LA HERRAMIENTA

Consulte la sección "**CÓMO ENCENDER/DETENER EL CABEZAL ELÉCTRICO**" en el manual del operador del cabezal eléctrico PH1400/ PH1400-FC.

MANTENIMIENTO

⚠ ADVERTENCIA: al realizar el mantenimiento, utilice solo piezas de repuesto idénticas. El uso de cualquier otra pieza puede crear un peligro o causar daños en el producto. Para garantizar la seguridad y confiabilidad, un técnico de reparación calificado se debe encargar de realizar las reparaciones.

⚠ ADVERTENCIA: las herramientas que funcionan a batería no se deben enchufar en un tomacorriente; por lo tanto, siempre están en condiciones de funcionamiento. Para evitar lesiones personales graves, tome precauciones y cuidados adicionales cuando realice el mantenimiento, haga reparaciones o cambie el accesorio de corte u otros accesorios.

⚠ ADVERTENCIA: para evitar que se produzcan lesiones personales graves, retire el paquete de baterías del cabezal eléctrico y aguarde a que todas las cuchillas se detengan antes de realizar el mantenimiento, limpiar, cambiar los accesorios adicionales o cuando no utilice el producto.

⚠ ADVERTENCIA: siempre use guantes para trabajo pesado cuando instale o retire la cuchilla o cuando realice el mantenimiento de la cuchilla. Tenga cuidado con la cuchilla y proteja sus manos para evitar que se produzcan lesiones.

MANTENIMIENTO GENERAL

Evite utilizar solventes para limpiar las piezas de plástico. La mayoría de los plásticos tienden a dañarse con los distintos tipos de solventes comerciales. Utilice un paño limpio para eliminar la suciedad, el polvo, el aceite, la grasa, etc.

⚠ ADVERTENCIA: Nunca deje que el líquido de frenos, la gasolina, los productos a base de petróleo, los aceites penetrantes, etc. entren en contacto con las piezas plásticas. Los productos químicos pueden dañar, debilitar o destruir el plástico, lo que puede provocar lesiones personales graves.

⚠ ADVERTENCIA: al limpiar el accesorio de la cultivadora, NO lo sumerja en agua ni en otros líquidos. No limpie la máquina con un equipo de lavado con agua a presión. El chorro sólido de agua puede dañar las piezas de la máquina.

MANTENIMIENTO DE LAS CHUCHILLAS

- Utilice con frecuencia un aceite contra la corrosión para mantener las cuchillas.
- Si se deben reemplazar las cuchillas debido al desgaste, reemplace las cuatro cuchillas para obtener un mejor rendimiento.

Solo el personal de mantenimiento autorizado debe llevar a cabo todas las instrucciones de mantenimiento que requiera la cultivadora, salvo que se trate de los artículos que figuran en estas instrucciones de mantenimiento.

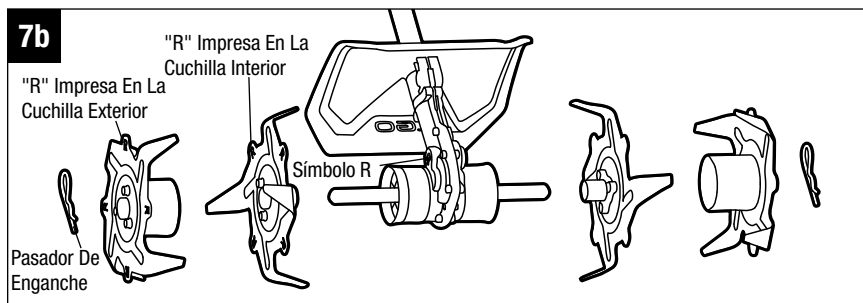
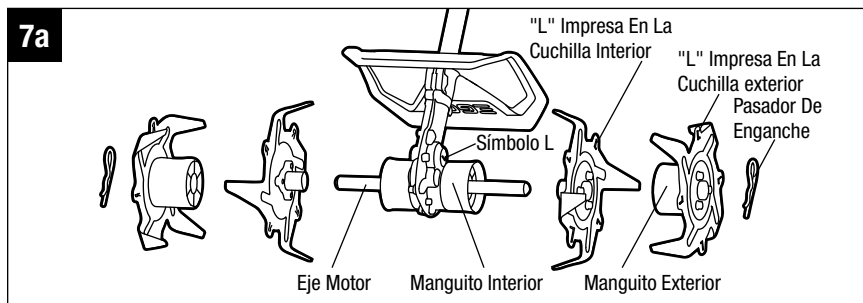
CÓMO REEMPLAZAR O AJUSTAR LAS CUCHILLAS

⚠ ADVERTENCIA: una cuchilla desgastada, agrietada o dañada se puede romper y las piezas se pueden convertir en proyectiles peligrosos. Los objetos que lance la cultivadora pueden ocasionar lesiones graves. Inspeccione la cuchilla de manera regular y no utilice la cultivadora con una cuchilla que esté desgastada o dañada.

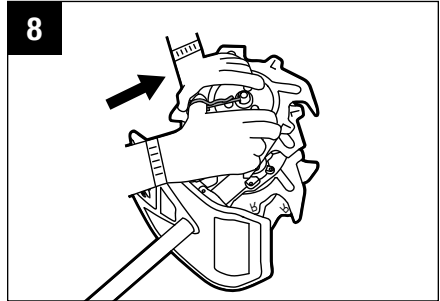
Cómo reemplazar las cuchillas

La cultivadora tiene cuatro cuchillas: dos internas y dos externas. Para que la cultivadora funcione de manera correcta, las cuchillas se deben instalar en la orientación correcta. Los símbolos R y L están impresos en las cuchillas (Fig. 7a y 7b).

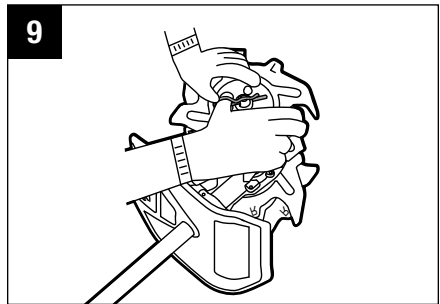
AVISO: LAS CUCHILLAS QUE TIENEN DIENTES QUE APUNTAN EN AMBAS DIRECCIONES SE DEBEN COLOCAR EN EL INTERIOR, MÁS CERCA DE LA CAJA DE VELOCIDADES.



1. Use guantes.
2. Coloque la cuchilla interior, con la "L" impresa, que tiene dientes que apuntan en ambas direcciones, a la izquierda de la caja de velocidades. El lado impreso con la L debe apuntar hacia afuera.



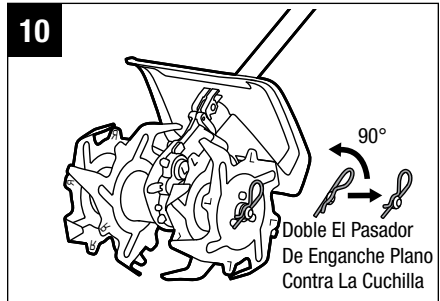
3. Coloque la cuchilla exterior con la "L" impresa (los dientes solo apuntan hacia una dirección) en el mismo lado. El lado que tiene la L impresa debe apuntar hacia afuera y el maguito exterior se debe colocar contra la cuchilla interna.



4. Para asegurar la cuchilla al eje motor, inserte el pasador de enganche en el orificio de bloqueo 1. Consulte la fig. 8, 9 y10 como referencia.

5. De vuelta la herramienta y apoye la cuchilla instalada contra el suelo.

6. Coloque la cuchilla interior, con la "R" impresa, que tiene dientes que apuntan en ambas direcciones, a la derecha de la caja de velocidades. El lado impreso con la R debe apuntar hacia afuera.



7. Coloque la cuchilla exterior con la "R" impresa (los dientes solo apuntan hacia una dirección) en el mismo lado. El lado que tiene la R impresa debe apuntar hacia afuera y el maguito exterior se debe colocar contra la cuchilla interna.
8. Para asegurar la cuchilla al eje motor, inserte el pasador de enganche en el orificio de bloqueo 1. Consulte la fig. 8, 9 y10 como referencia.

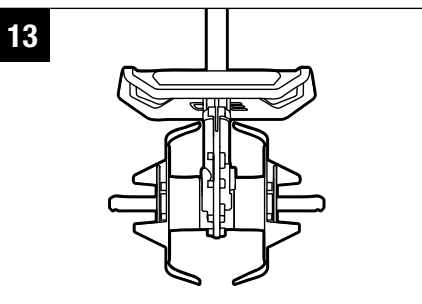
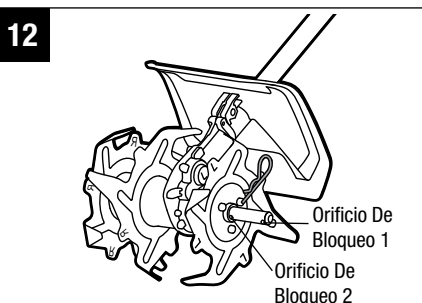
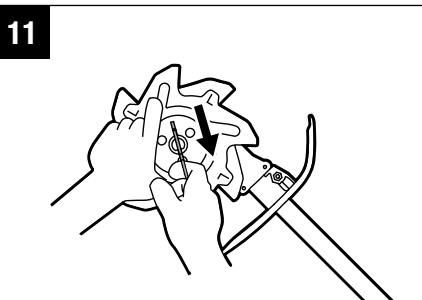
⚠ ADVERTENCIA: si las cuchillas no están instaladas de manera correcta, la unidad no funcionará de manera adecuada o puede provocar daños al operador o a las personas que se encuentran cerca. Si nota que existe algún problema con la operación de cultivo de la unidad, verifique que las cuchillas se encuentren en la posición adecuada. **LAS CUCHILLAS QUE TIENEN DIENTES QUE APUNTAN EN AMBAS DIRECCIONES SE DEBEN COLOCAR EN EL INTERIOR, MÁS CERCA DE LA CAJA DE VELOCIDADES.**

Cómo ajustar las cuchillas

Cuando are un área cerrada o entre filas, la cultivadora se puede usar solo con las cuchillas internas instaladas.

Use guantes y retire los dos pasadores de enganche para retirar las dos cuchillas externas (Fig. 11); luego, inserte los pasadores de enganche en el orificio de bloqueo 2 (Fig. 12 y 13).

AVISO: no fuerce las cuchillas para activar o desactivar el eje motor. Si tiene dificultades para retirar las cuchillas, aplique un poco de aceite penetrante en el eje. Cuando vuelva a colocar las cuchillas, asegúrese de limpiar y colocar aceite en el eje motor y en las cuchillas.



LIMPIEZA DE LA UNIDAD

Las partes de las plantas, tales como las raíces, pueden quedar atascadas alrededor o entre las cuchillas giratorias durante el funcionamiento. Para limpiar las cuchillas giratorias:

- Retire la batería.
- Use guantes. Limpie los pedazos de raíces, la tierra o las plantas atascadas en la cuchilla, en el protector o en la caja de velocidades. Para realizar una limpieza profunda, retire las cuchillas y el protector para lavarlos por completo. Para consultar los pasos detallados que se deben seguir para realizar el reemplazo, consulte la sección anterior "**CÓMO REEMPLAZAR O AJUSTAR LAS CUCHILLAS**".
- Limpie la superficie de la herramienta con un paño limpio y húmedo con jabón suave. Mantenga los respiraderos libres de obstrucciones.

ALMACENAMIENTO DE LA UNIDAD

- Retire el paquete de baterías de la herramienta.
- Utilice guantes para trabajo pesado para limpiar bien la herramienta e inspeccionar las cuchillas.
- Retire el accesorio de la cultivadora del cabezal eléctrico y coloque la tapa del extremo en el mango del accesorio para evitar que la suciedad ingrese al acoplador.
- Guarde la herramienta en un lugar seco y bien ventilado, alto o con seguro y fuera del alcance de los niños. No almacene la unidad sobre o cerca de fertilizantes, gasolina u otros químicos.

SOLUCIÓN DE PROBLEMAS

PROBLEMA	SOLUCIÓN	SOLUTION
La cultivadora no arranca.	<ul style="list-style-type: none">■ El paquete de baterías no está colocado de manera correcta en el cabezal eléctrico.■ No hay contacto eléctrico entre el cabezal eléctrico y el paquete de batería.■ El paquete de baterías está agotado.■ La palanca de bloqueo y el gatillo no se presionan de manera simultánea.	<ul style="list-style-type: none">■ Fije el paquete de baterías al cabezal eléctrico.■ Retire la batería, verifique los contactos y vuelva a instalarla de forma tal que quede fija en su lugar.■ Cargue el paquete de baterías con el cargador EGO que se indica en este manual.■ Para encender la unidad, presione hacia abajo la palanca de bloqueo y sosténgala; luego, presione el gatillo.

PROBLEMA	SOLUCIÓN	SOLUTION
<p>La cultivadora se detiene durante el arado.</p>	<ul style="list-style-type: none"> ■ El motor está sobrecargado ■ El paquete de baterías o el cabezal eléctrico está demasiado caliente. ■ Las cuchillas están atascadas. ■ La batería está desconectada de la herramienta. ■ El paquete de baterías está agotado. 	<ul style="list-style-type: none"> ■ El motor volverá a funcionar cuando se retire la carga. Para realizar trabajos continuos, disminuya la carga en la cultivadora y evite realizar un arado profundo; en su lugar, realice cortes más profundos de manera progresiva. ■ Permita que el paquete de baterías o que el cabezal eléctrico se enfríen hasta que la temperatura se encuentre por debajo de los 67 °C (152 °F). ■ Retire la batería del cabezal eléctrico, gire las cuchillas con las manos hacia adelante y hacia atrás para retirar las piedras u otros obstáculos que se encuentren entre las cuchillas o entre la cuchilla y la caja de velocidades. ■ Vuelva a colocar el paquete de baterías. ■ Cargue el paquete de baterías con el cargador EGO que se indica en este manual

GARANTÍA

POLÍTICA DE GARANTÍA

Garantía limitada de 5 años en equipos de energía para exteriores y energía portátil EGO POWER+ para uso doméstico personal.

Garantía limitada de 3 años en paquetes de baterías y cargadores con el Sistema EGO POWER+ para uso doméstico personal.

Garantía limitada de 2 años/1 año en equipos de energía para exteriores, energía portátil, paquetes de baterías y cargadores EGO para uso profesional y comercial.

Los períodos de garantía detallados por productos se pueden encontrar en línea en <http://egopowerplus.com/pages/warranty-policy>.

Póngase en contacto con Servicio al Cliente de EGO de manera gratuita al 1-855-EGO-5656, cuando tenga preguntas o reclamaciones de garantía.

GARANTÍA LIMITADA DE SERVICIO

Los productos EGO están garantizados contra defectos de material o de fabricación a partir de la fecha de compra original al por menor durante el período de garantía aplicable. El producto defectuoso será reparado gratuitamente.

- a) Esta garantía se aplica solo al comprador original del distribuidor minorista autorizado de EGO y podría no ser transferible. Los distribuidores minoristas autorizados de EGO se identifican en línea, en <http://egopowerplus.com/pages/warranty-policy>.
- b) El período de garantía para productos reacondicionados o certificados de fábrica que se utilizan para fines residenciales es de 1 año, para fines industriales, profesionales o comerciales es de 90 días.
- c) El período de garantía para piezas del mantenimiento de rutina, incluidas, entre otras, cuchillas, cabezales de orilladoras, listones de cadenas, cadenas de motosierras, correas, barras raspadoras, boquillas de sopladores y todos los demás accesorios EGO, es de 90 días con fines residenciales y de 30 días para propósitos industriales, profesionales o comerciales. Estas piezas tienen cobertura durante 90/30 días por defectos de fabricación en condiciones normales de trabajo.
- d) Esta garantía queda nula si el producto se ha puesto en alquiler.

- e) Esta garantía no cubre daños producto de modificaciones, alteraciones o reparaciones no autorizadas.
- f) Esta garantía solo cubre defectos que surjan del uso normal y no cubre el mal funcionamiento, las fallas ni los defectos que resulten del mal uso, el abuso (que incluye la sobrecarga del producto más allá de su capacidad y sumergirlo en agua o en cualquier otro líquido), accidentes, negligencia o falta de instalación adecuada y mantenimiento o almacenamiento inadecuados.
- g) Esta garantía no cubre el deterioro normal del acabado exterior, incluidos, entre otros, rayones, abolladuras, trozos de pintura o cualquier corrosión o decoloración producida por el calor o limpiadores químicos y abrasivos.

CÓMO OBTENER EL SERVICIO

Para obtener el servicio de garantía, póngase en contacto con Servicio al Cliente de EGO de manera gratuita al **1-855-EGO-5656**. Cuando pida un servicio cubierto por la garantía, debe presentar el recibo con la fecha original de venta. Un centro de servicio autorizado será seleccionado para reparar el producto de acuerdo con los términos establecidos en la garantía. Cuando lleve el producto al centro de servicio autorizado, es posible que deba hacer un pequeño depósito cuando deje la herramienta. Este depósito se reembolsará cuando se considere que el servicio de reparación se haya cubierto con la garantía.

LIMITACIONES ADICIONALES

En la medida en que la ley aplicable lo permita, se deniegan todas las garantías implícitas, inclusive las garantías de COMERCIALIZADIDAD o IDONEIDAD PARA UN PROPÓSITO ESPECÍFICO. Todas las garantías implícitas, inclusive las garantías de comerciabilidad o idoneidad para un propósito específico, que no se puedan denegar bajo la ley estatal, están limitadas al período de garantía aplicable definido al comienzo de este artículo.

Chervon North America no se hará responsable por daños directos, indirectos, accidentales o resultantes.

Algunos estados no permiten limitaciones con respecto a la duración de una garantía implícita y/o no permiten la exclusión o limitación de daños accidentales o resultantes, de modo que las limitaciones antes descritas podrían no aplicarse en su caso.

Esta garantía le otorga derechos legales específicos, pero podría tener también otros derechos que varían según el estado.



Para obtener el servicio al cliente, póngase en contacto con nosotros de manera gratuita al: **1-855-EGO-5656** o visite: **EGOPOWERPLUS.COM**
EGO Customer Service, 769 SEWARD AVE NW / Suite 102 Grand Rapids, MI 49504