

The limited warranty set forth below is given by Precision Products Incorporated with respect to new merchandise purchased and used in the United States, its possessions and territories.

Precision Products Incorporated warrants the product(s) listed against defects in material and workmanship, and will at our option, repair or replace, free of charge, any part found to be defective in materials or workmanship. This limited warranty shall only apply if this product has been assembled, operated, and maintained in accordance with the owner's manual furnished with the product, and has not been subjected to misuse, abuse, neglect, accident, improper maintenance, alteration, vandalism, theft, fire, water, or damage because of other peril or natural disaster.

Normal wear parts or components thereof are subject to separate terms as follows: All normal wear parts or component failures will be covered on the product for a period of one year. Parts found to be defective within the warranty period will be replaced at our expense. Our obligation under this warranty is expressly limited to the replacement or repair, at our option, of parts found to be defective in material and workmanship.

Contacting Service

Warranty parts replacements are available, ONLY WITH PROOF OF PURCHASE, through our Customer Service Department.

Call **1 (800) 225-5891**

This limited warranty does not provide coverage in the following cases:

1. Routine maintenance items such as lubricants and filters.
2. Normal deterioration of the exterior finish due to use or exposure.
3. Transportation and/or labor charges.

No implied warranty, including any implied warranty of merchantability of fitness for a particular purpose, applies after the applicable period of expressed written warranty above as to the part as identified below. No other expressed warranty, whether written or oral, except as mentioned above, given by any person or entity, including a dealer or retailer, with respect to any product, shall bind Precision Products Inc. during the period of the warranty, the exclusive remedy is repair or replacement of

the product as set forth above. The provisions as set forth in this warranty provide the sole and exclusive remedy arising from the purchase.

Precision Products, Inc. will not be liable for incidental or consequential loss or damage including, without limitation, expenses incurred for substitute or replacement lawn care services, or for rental expenses to temporarily replace a warranted product.

Some states do not allow the exclusion or limitation of incidental or consequential damages, or limitations on how long an implied warranty lasts, so the above exclusions or limitations may not apply to you.

During the warranty period, the exclusive remedy is replacement of the part. In no event, shall recovery of any kind be greater than the amount of the purchase price of the product sold. Alteration of safety features of the product shall void this warranty. You assume the risk and liability for loss, damage, or injury to you and your property and/or to others and their property arising out of the misuse or inability to use this product.

This limited warranty shall not extend to anyone other than the original purchaser or to the person for whom it was purchased as a gift.

Local Law to this Warranty

This limited warranty gives you specific legal rights, and you may also have other rights which vary from state to state.

Warranty Period

The warranty period stated below begins with the **Proof of Purchase**. Without the proof of purchase, the warranty period begins from the date of manufacture.

Product Warranty Period

The warranty period for this product is as follows: All parts are covered for 1 year.



Tread pattern on tires may vary.

Manual Contents

| | |
|---------------------------|-----|
| Safety Instructions | 2 |
| Assembly..... | 4-5 |
| Operation..... | 6 |
| Maintenance..... | 6 |
| Parts..... | 7 |
| Warranty..... | 8 |

Your New Nursery Cart

Congratulations on your purchase of a new Precision Products, Inc. Nursery Cart. Your Cart has been engineered and built to give you the most dependable and best performing product possible.

If you experience any problem you can not easily resolve, please feel free to contact our knowledgeable and helpful customer service department toll-free at **1 (800) 225-5891**.

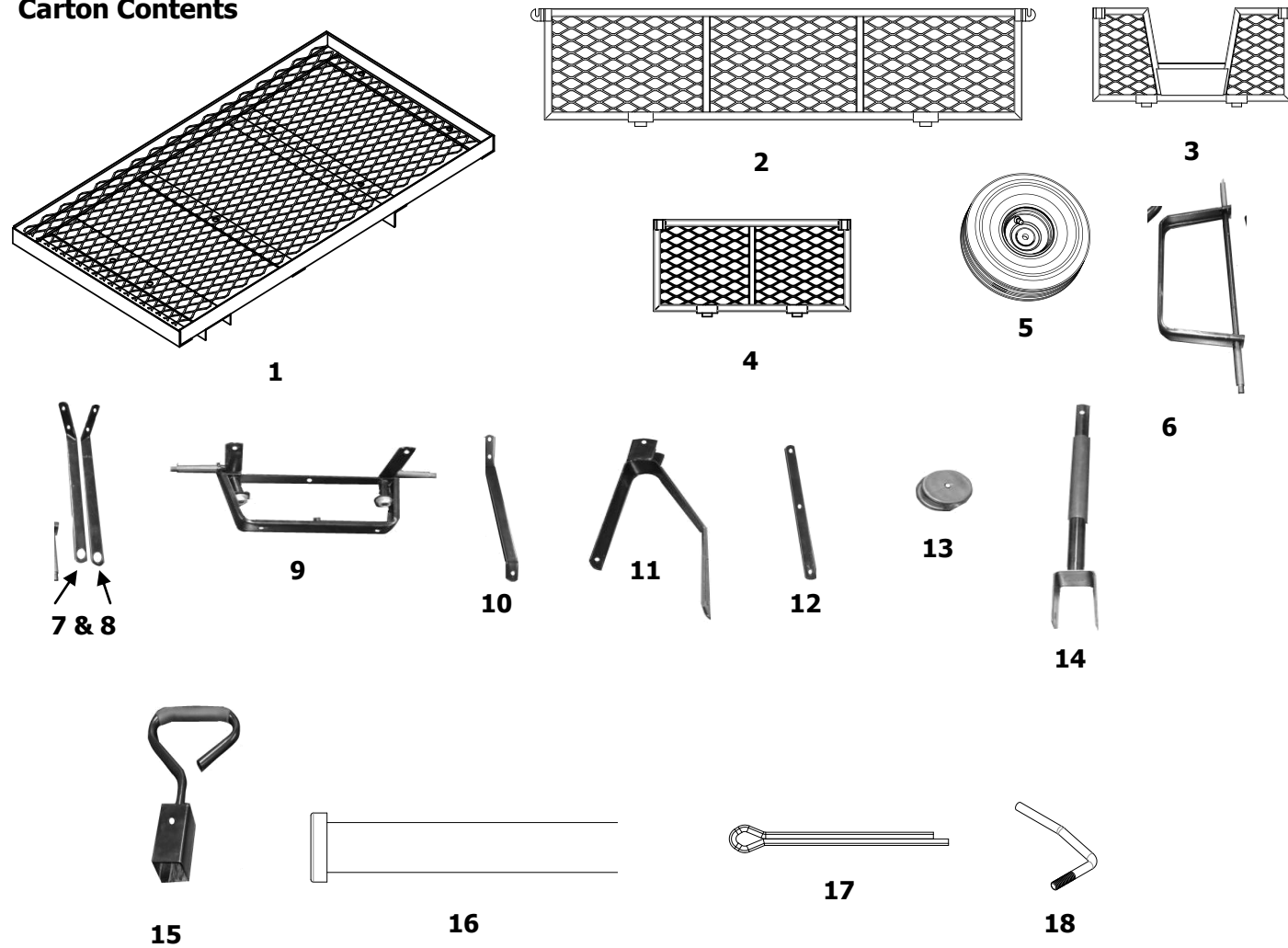
Caution: Read all Safety Instructions and Operating Instructions Carefully.

! Safety Instructions

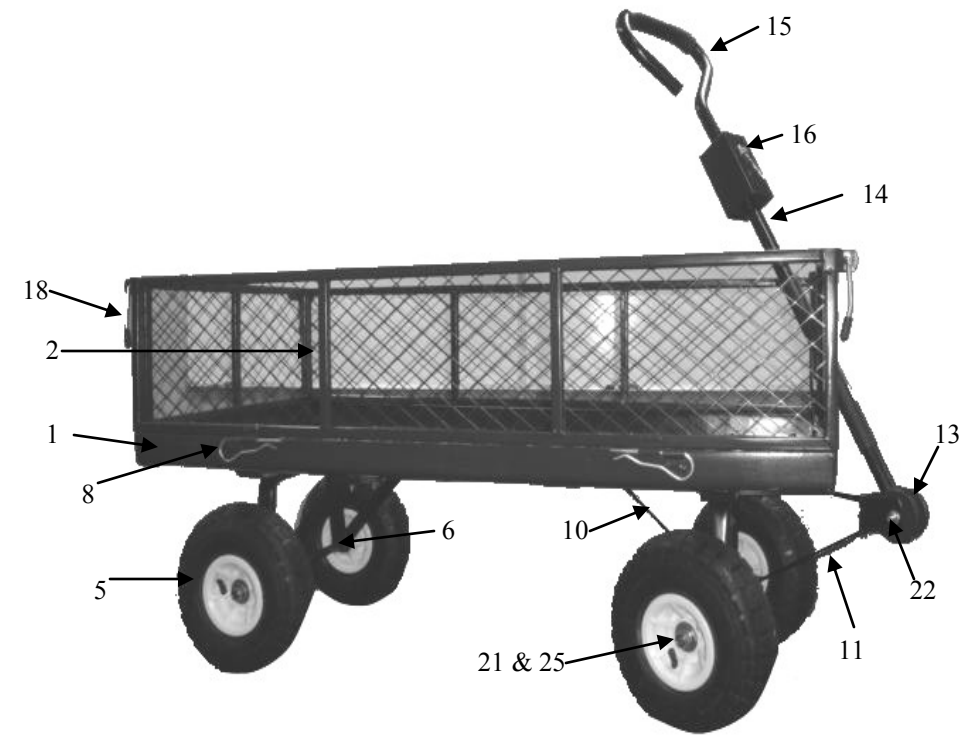
All power equipment can cause injury or property damage if operated improperly. Please read and observe the following safety rules and exercise caution at all times when operating equipment.

- Do not allow anyone to ride or sit on equipment during operation.
- Always wear substantial footwear. Do not wear loose fitting clothing that may get caught in moving parts.
- This unit may have sharp points. Handle with care.
- Keep all nuts, bolts and screws tight to be sure the equipment is in safe working condition.
- Follow the maintenance instructions as outlined in this owner's manual.

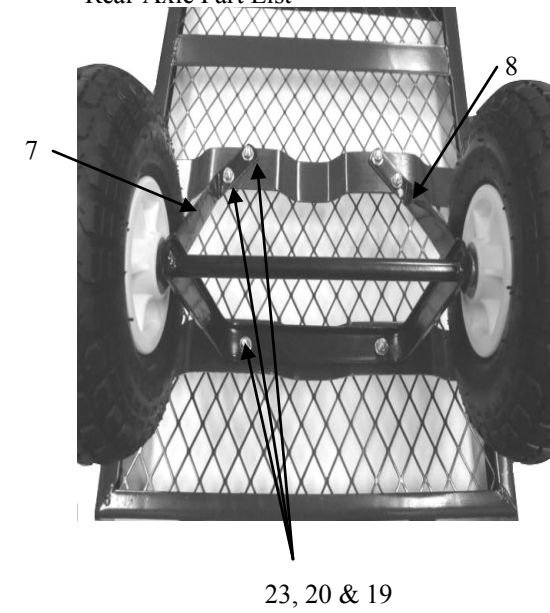
Carton Contents



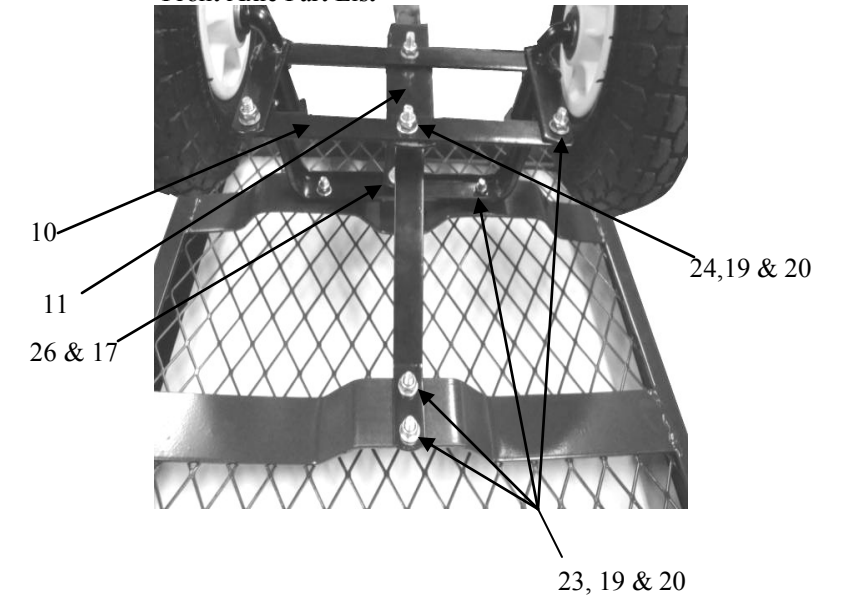
18



Rear Axle Part List



Front Axle Part List



Not all parts shown

Operation

1. Never carry passengers in this cart. It is designed for carrying materials only.
2. Be careful on any grade (hill) and stay off steep grades.
3. Use caution when loading cart to avoid tipping.
4. Avoid large holes and ditches when transporting loads.
- 5.

Maintenance Instructions

- Keeping the cart clean and dry will prolong the unit's life.
- Lubricate Wheels at regular intervals, at least once every six months, more frequently if used regularly.
- Should rust develop, sand lightly and spray with enamel paint.

Parts and Support



Please do not return this product to the store prior to contacting Precision.

At Precision Products, Inc. our goal is to deliver quality, value and outstanding service. If for any reason our product does not meet your expectations, please contact us and we will take care of any problem you may have with this unit.

When ordering replacement parts please have the model number, part description, part number, inspector number and date on carton, available so that we can best serve you.

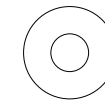
1 (800) 225-5891

www.precisionprodinc.com

**Precision Products Inc.
316 Limit St.
Lincoln IL 62656**

NCDS1000 Nursery Cart

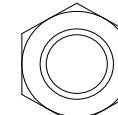
| Ref. | QTY. | Description |
|------|------|-----------------------------|
| 1 | 1 | Bed |
| 2 | 2 | Side Panel |
| 3 | 1 | Front Panel |
| 4 | 1 | Back Panel |
| 5 | 4 | Wheels |
| 6 | 1 | Rear Axle Support |
| 7 | 1 | Left Rear Axle Brace |
| 8 | 1 | Right Rear Axle Brace |
| 9 | 1 | Front Axle Support |
| 10 | 1 | Center Front Axle Brace |
| 11 | 1 | Yoke |
| 12 | 1 | Steering Link Connector |
| 13 | 1 | Handle Coupler |
| 14 | 1 | Handle Mount/Towbar |
| 15 | 1 | Tow Handle |
| 16 | 1 | Clevis Pin |
| 17 | 1 | Cotter Pin |
| 18 | 4 | Lock Handles (Pre-attached) |
| 19 | 15 | Washers |
| 20 | 15 | Lock Nuts |
| 21 | 4 | Large Lock Nuts |
| 22 | 1 | M8 x 60 Pull Handle Bolt |
| 23 | 13 | M8 x 15 Steering Bolts |
| 24 | 1 | M8 x 25 Steering Bolt |
| 25 | 4 | Wheel Washers |
| 26 | 1 | Yoke Washer |
| 27 | 1 | Quick Release Pin Small |
| 28 | 8 | Quick Release Pin Large |



19



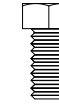
20



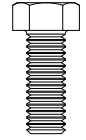
21



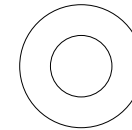
22



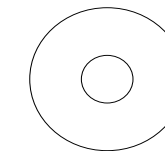
23



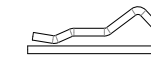
24



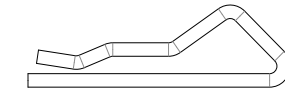
25



26



27



28

| Ref. | QTY. | Description | Ref. | QTY. | Description |
|------|------|-------------------------|------|------|-----------------------------|
| 1 | 1 | Bed | 15 | 1 | Tow Handle |
| 2 | 2 | Side Panel | 16 | 1 | Clevis Pin |
| 3 | 1 | Front Panel | 17 | 1 | Cotter Pin |
| 4 | 1 | Back Panel | 18 | 4 | Lock Handles (Pre-attached) |
| 5 | 4 | Wheels | 19 | 15 | Washers |
| 6 | 1 | Rear Axle Support | 20 | 15 | Lock Nuts |
| 7 | 1 | Left Rear Axle Brace | 21 | 4 | Large Lock Nuts |
| 8 | 1 | Right Rear Axle Brace | 22 | 1 | M8 x 60 Pull Handle Bolt |
| 9 | 1 | Front Axle Support | 23 | 13 | M8 x 15 Steering Bolts |
| 10 | 1 | Center Front Axle Brace | 24 | 1 | M8 x 25 Steering Bolt |
| 11 | 1 | Yoke | 25 | 4 | Wheel Washers |
| 12 | 1 | Steering Link Connector | 26 | 1 | Yoke Washer |
| 13 | 1 | Handle Coupler | 27 | 1 | Quick Release Pin Small |
| 14 | 1 | Handle Mount/Towbar | 28 | 8 | Quick Release Pin Large |

Assembly Instructions

Tools Required for Assembly

Minimum
(2) Adjustable Wrenches

Remove from Carton

Remove all parts and hardware packages from the carton. Lay out all parts and hardware and identify them using the illustrations on pages 2 and 3.

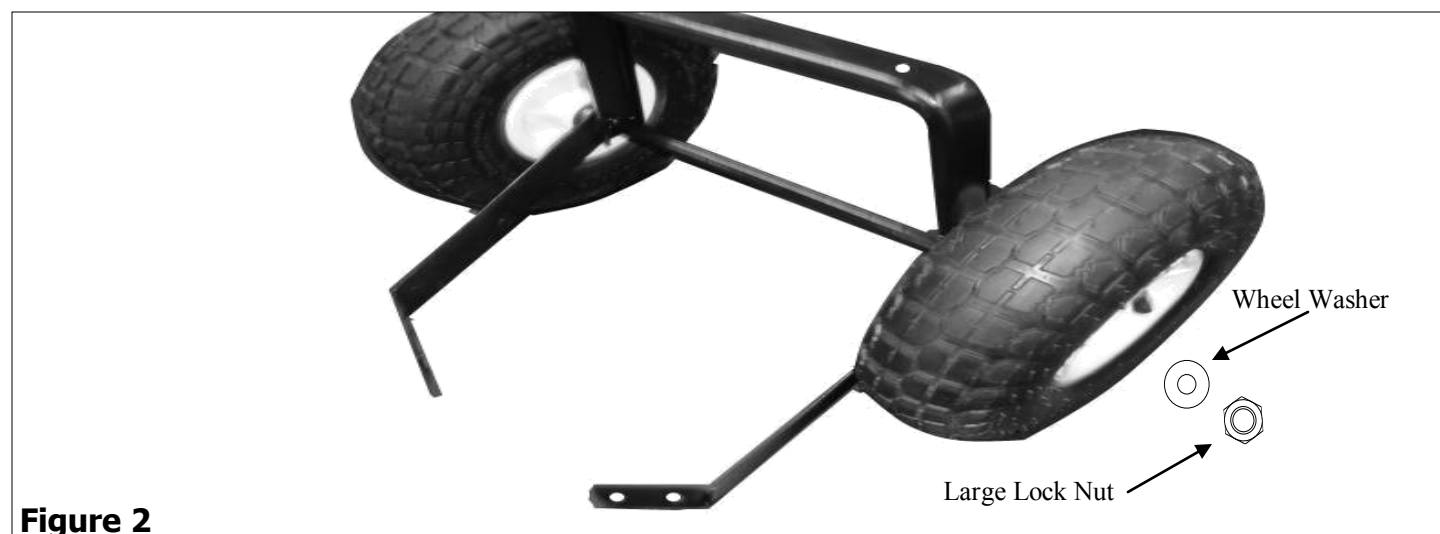
Assembly

Note: Loosely tighten nuts and bolts first. Fully tighten when the cart is completely assembled.

1. Insert the Left And Right Axle braces onto the extended threaded poles on the Rear Axle Support See Figure 1.



2. Slide Wheels onto the extended threaded ends of the Rear Axle Support then secure with a Wheel Washer and a Large Lock Nut. See Figure 2.



11. For Tow behind option, See Figure 11 A. For pull option, add Pull Handle to Towbar and secure with Handle Pin and Small Quick Release Pin. See Figure 11 B.

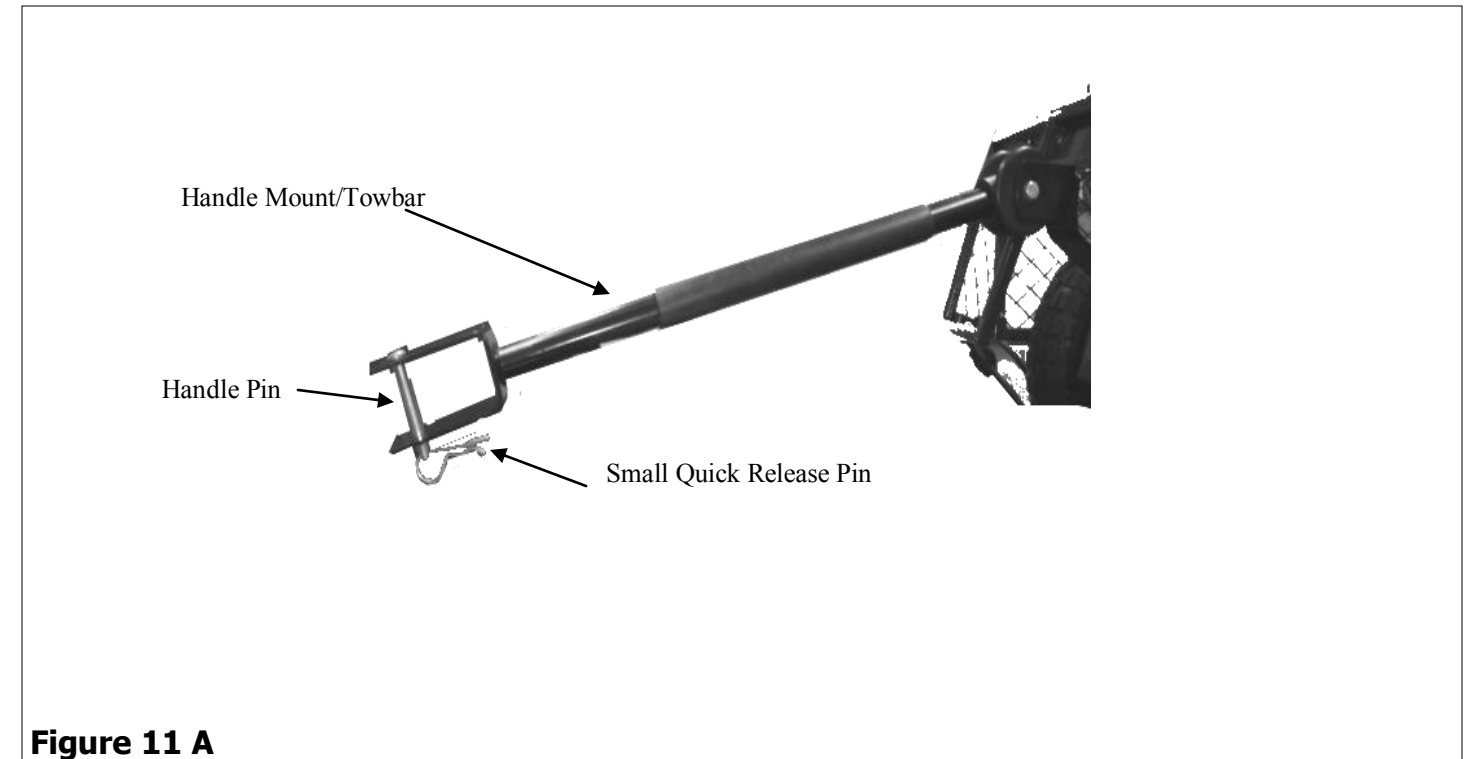


Figure 11 A

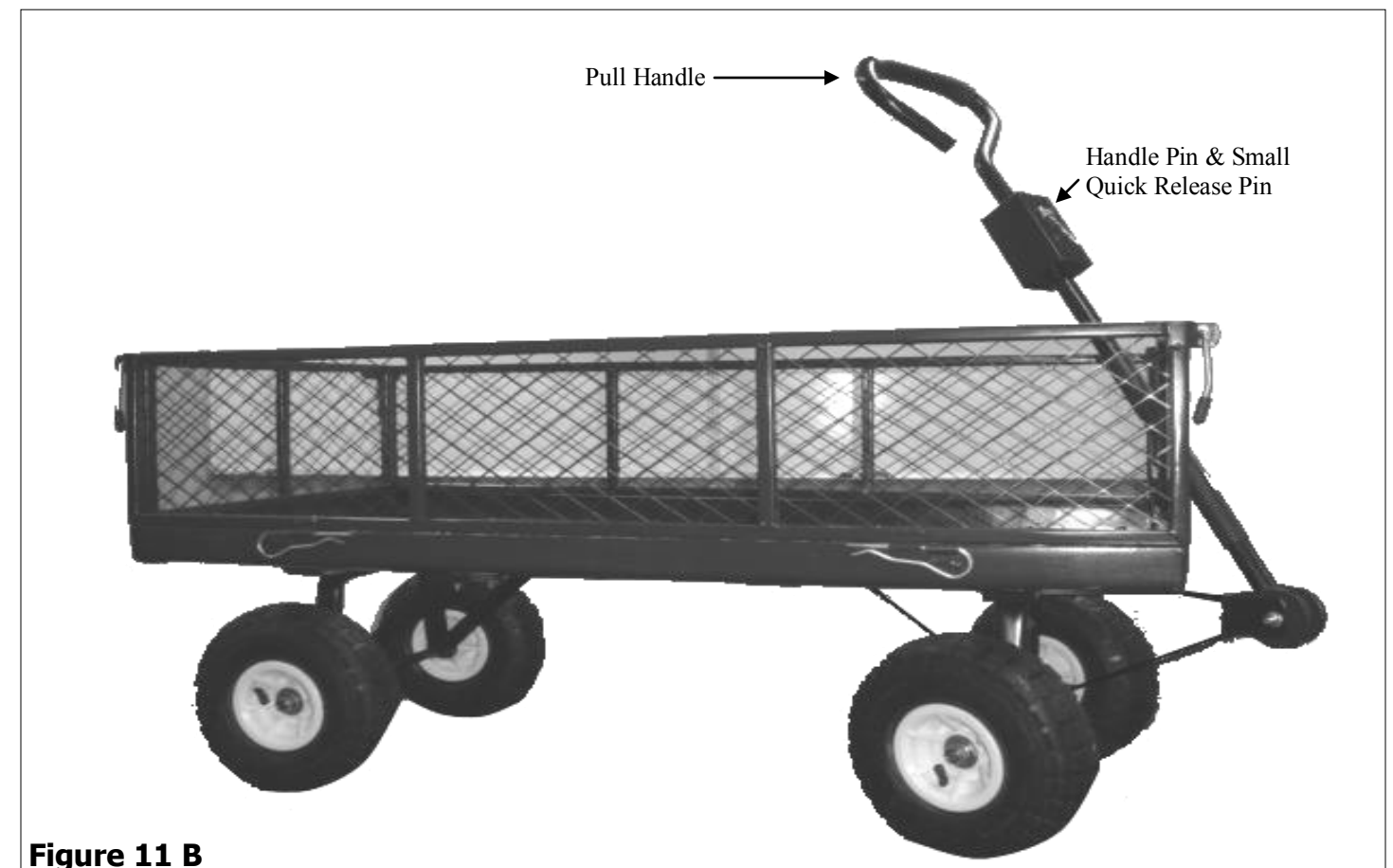


Figure 11 B

10. Attach the Handle Coupler to the end of the Pull Handle and join to the end of the Yoke by aligning holes and then inserting M6 x 60 Pull Handle Bolt into first the Yoke, the coupler, then out the other side of the Yoke. Secure with Washer and Lock Nut. See Figure 9.

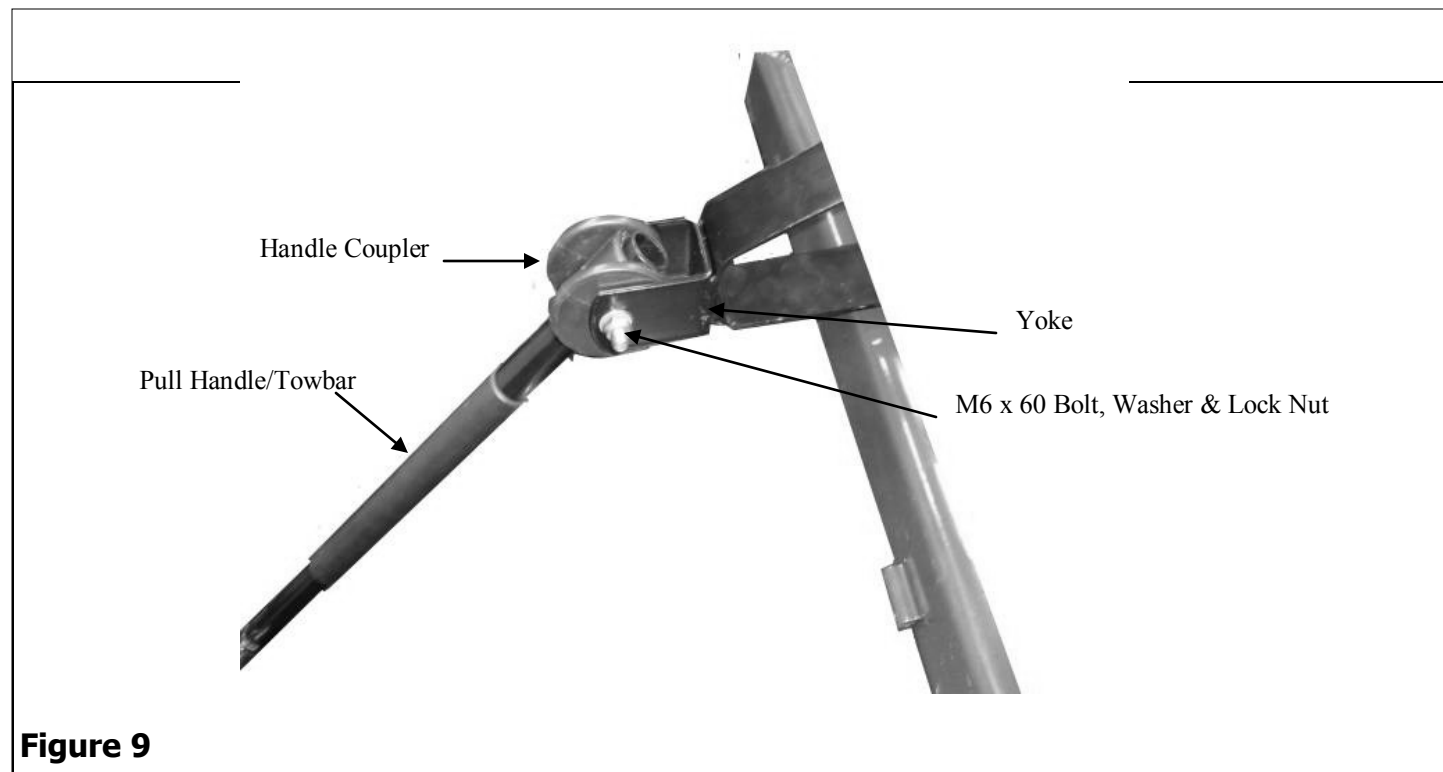


Figure 9

11. Join the Back panel to the bed by inserting Large Quick Release Pin through the side loop located at the bottom of the Back Panel and the top edge of the Bed. See Figure 10

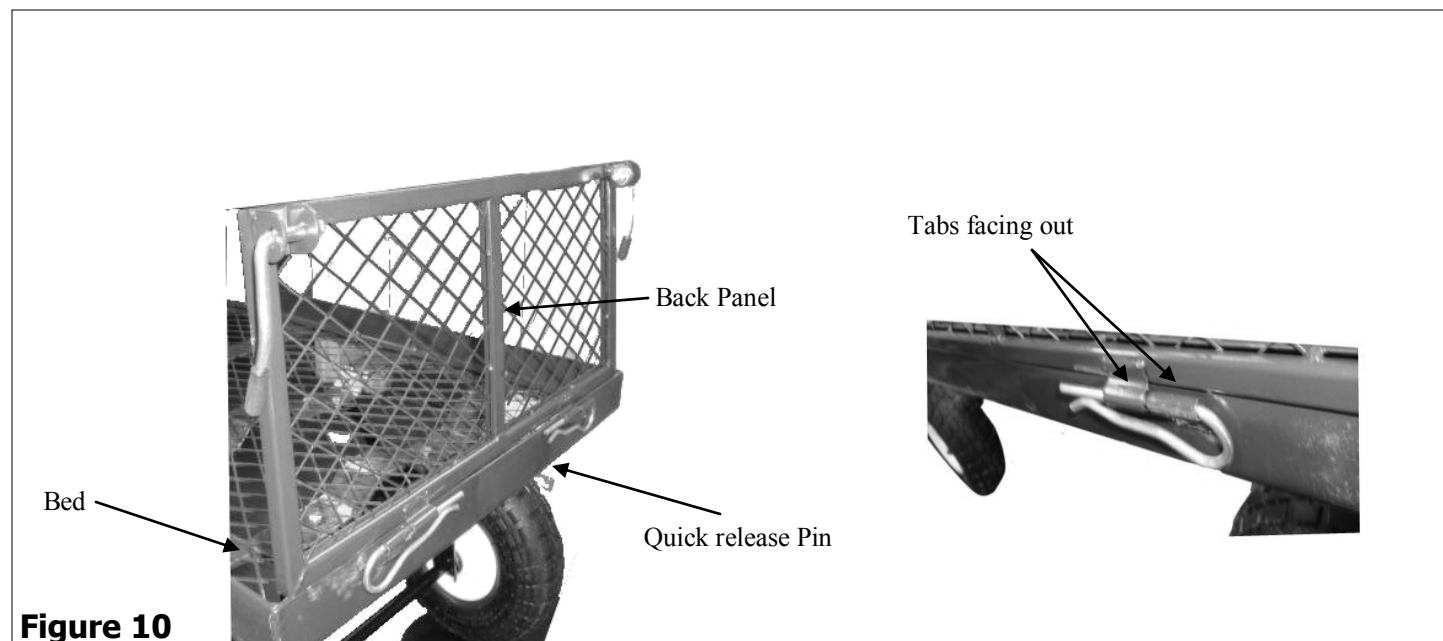


Figure 10

12. Repeat the process with Side Panels and the Front Panel to the Cart Bed. Lift Lock Handles that have been pre-attached to the Front and Back Panels up to secure the Back, Front and the Side Panels together by firmly pressing the lock Handle down and around the hook on the end of the Side Panel.

3. Attach the Steering Link Connector (Part 12) to the Front Axle Support (Part 9) by threading two M8 x 15 Bolts (Part 23) through the top of the Link Connector (Part 12) and into the Axle Support (Part 9). Secure at the bottom with Washer (Part 19) and the Lock Nut (Part 20). See Figure 3

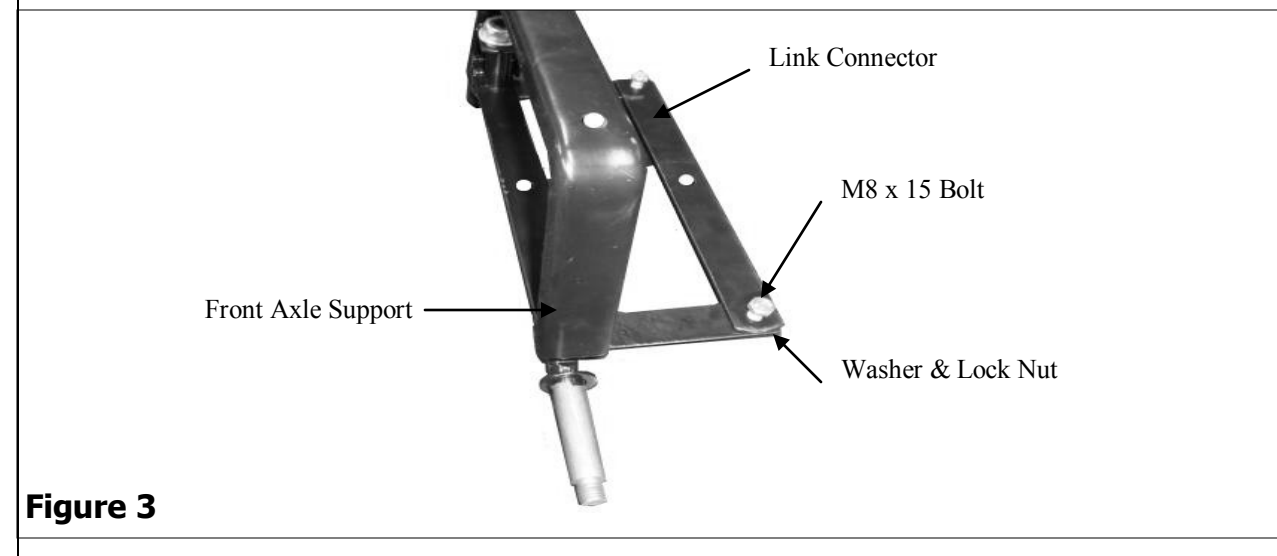


Figure 3

4. Join the Yoke and the Center Front Axle Brace to the Front Axle Support by first threading one M8 x 25 Bolt through the hole in the Center Front Axle Brace, then into the second hole in the yoke and through the hole in the bottom of the Front Axle Support. From the bottom, insert Washer and secure with a Lock Nut. See Figure 4A & 4B

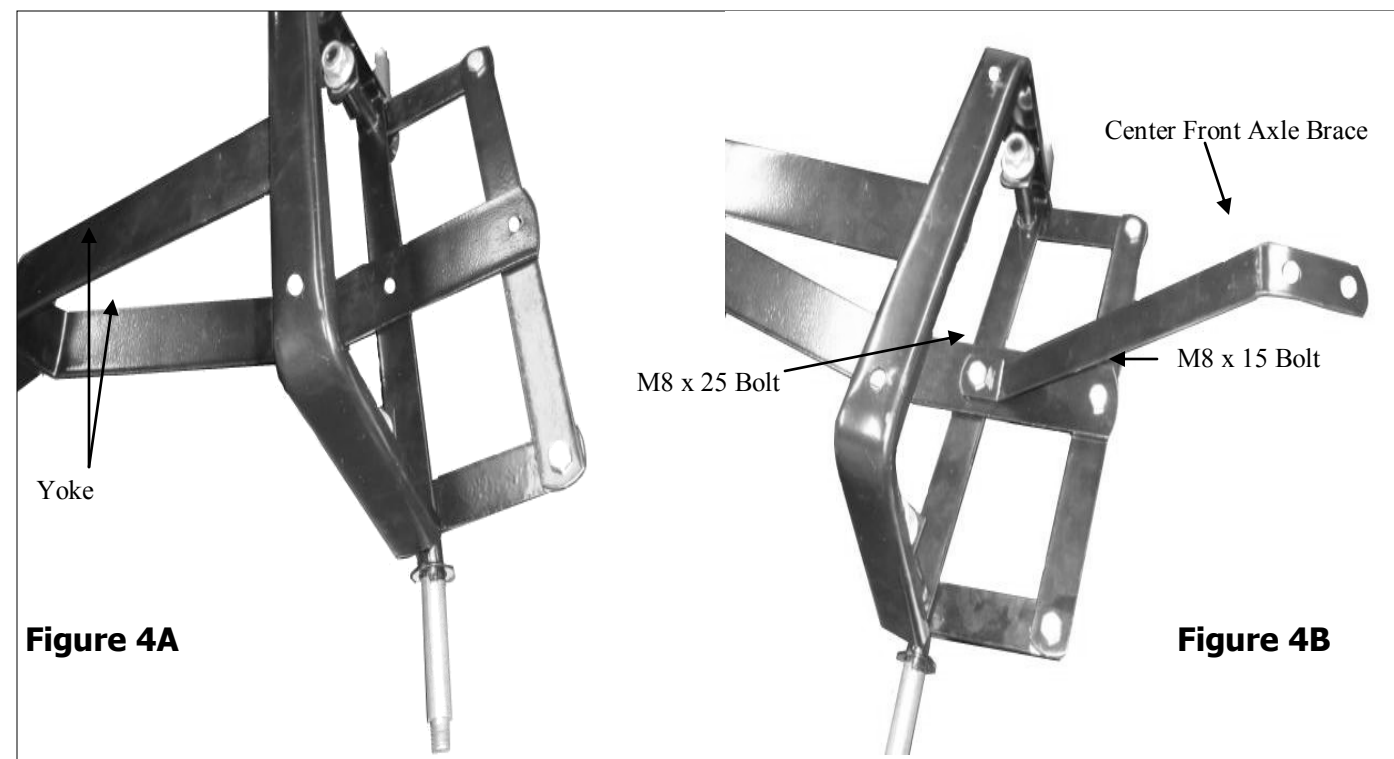


Figure 4A

Figure 4B

5. Secure the Yoke to the Steering Link Connector by threading one M8 x 15 Bolt through the first hole in the Yoke then into the Link Connector. Secure with Washer and Lock Nut. See Figure 4B.

6. Attach the top of the Yoke to the appendage located on the under side of the Front Axle Support by first inserting Large Yoke Washer and then inserting Cotter Pin into the hole in the middle of the appendage. Use a flat head screwdriver to separate and bend the end of the cotter pin. See Figure 5.

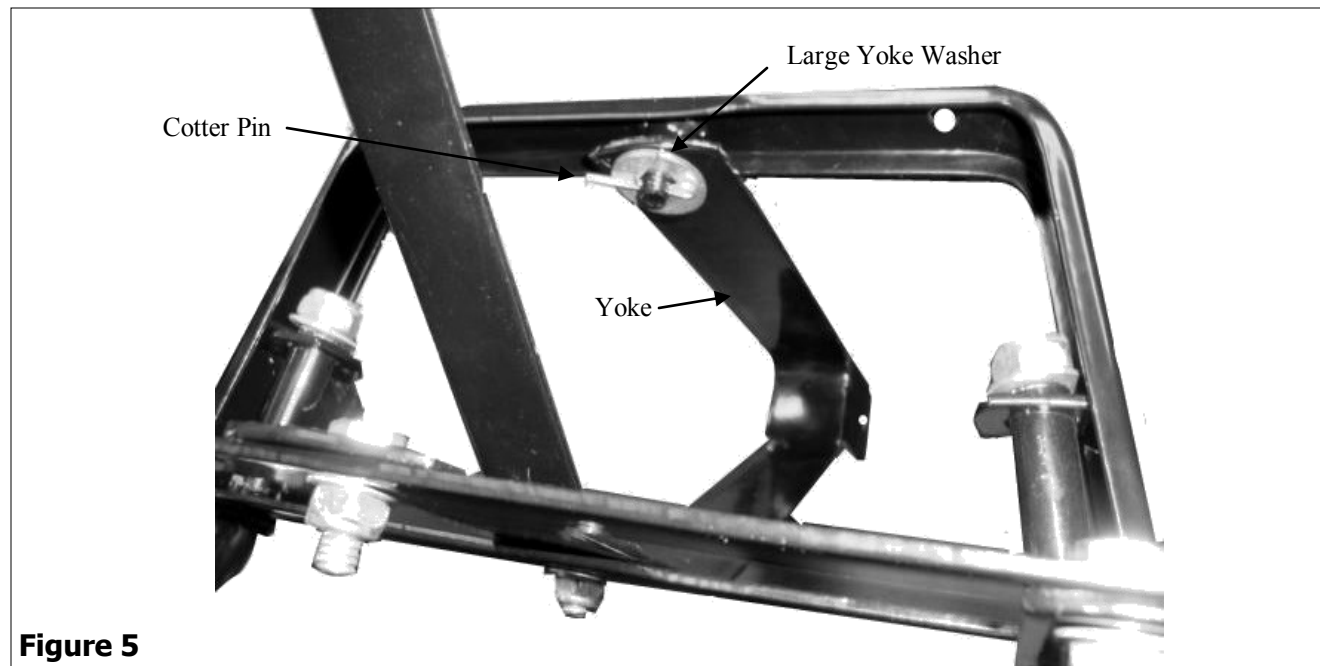


Figure 5

7. Slide Wheel onto the extended threaded ends of the Front Axle Support. Secure Wheels with Wheel Washer and Large Lock Nut. See figure 6

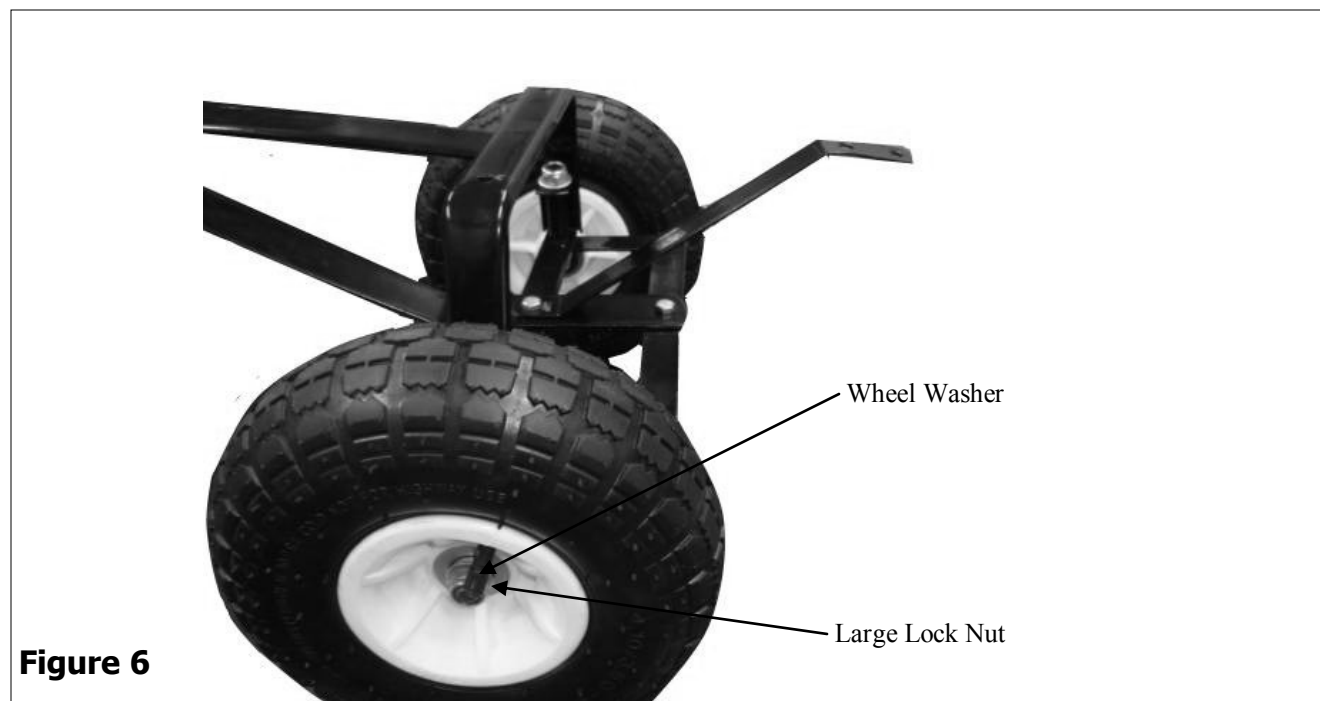


Figure 6

8. With the Bed turned upside down, attach the Back Wheel Assembly to the Bed by inserting six M8 x 15 Steering Bolts from under the bar first through the holes located on the metal support bars on the under side of the Bed then into the holes located on both the Left and Right Rear Axle Brace and also the Rear Axle Support. Next insert Washers onto the Bolts the secure with Lock Nuts. See Figure 7.

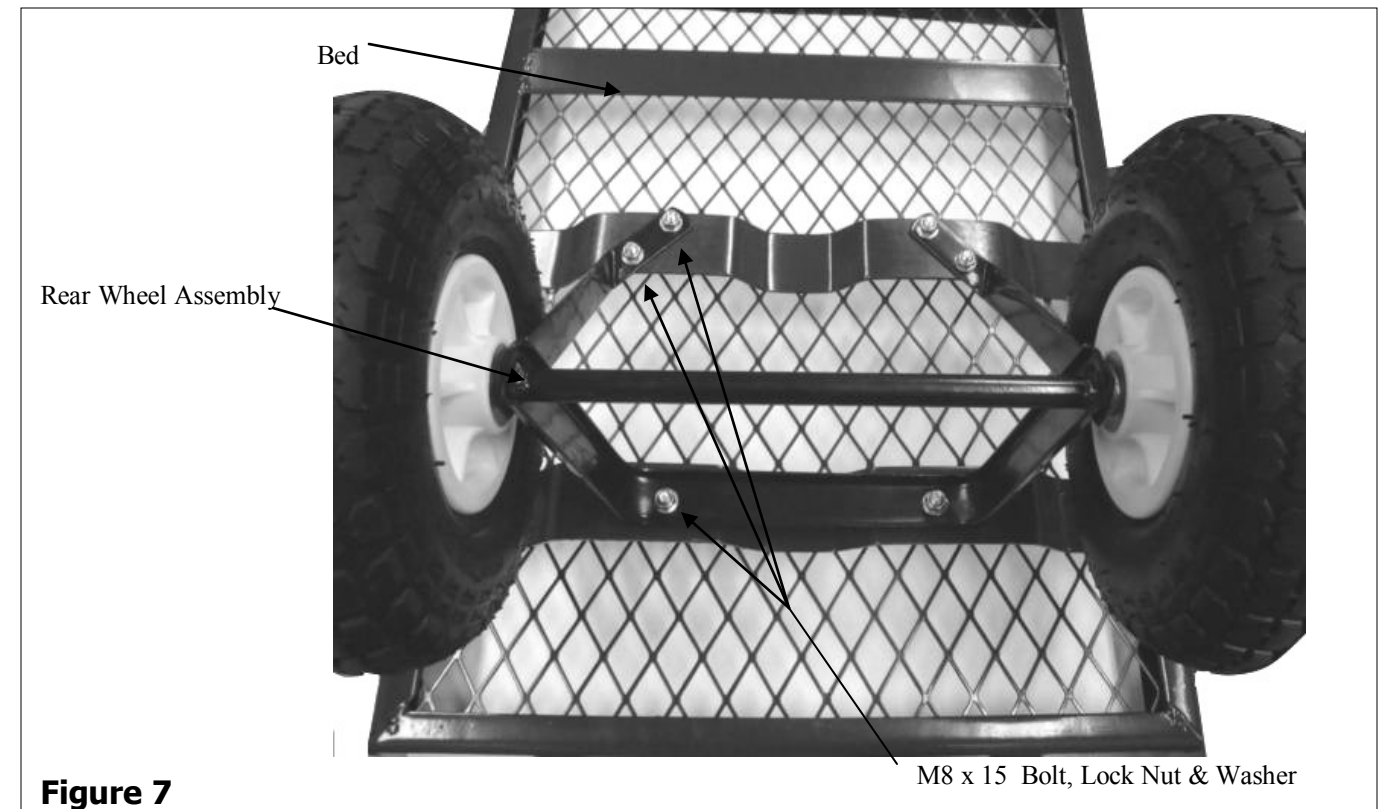


Figure 7

9. Join the Front Wheel Assembly to the Bed by inserting four M8 x 15 Steering Bolts first under the bar through the holes in the metal support bars then into the holes in both the Front Axle Support and the Center Front Axle Brace. Insert Washers onto the Bolts the secure with Lock Nuts. See Figure 8

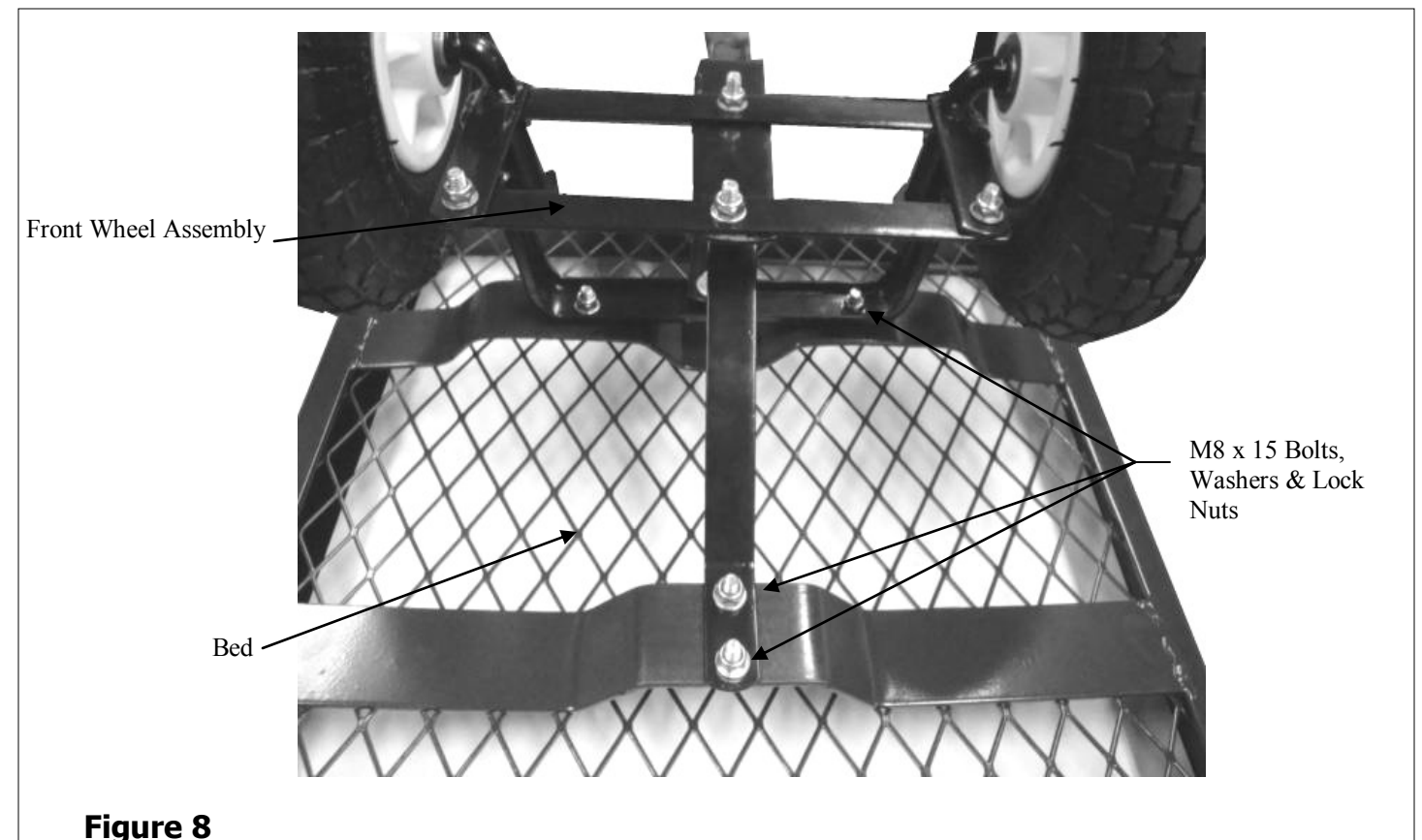


Figure 8