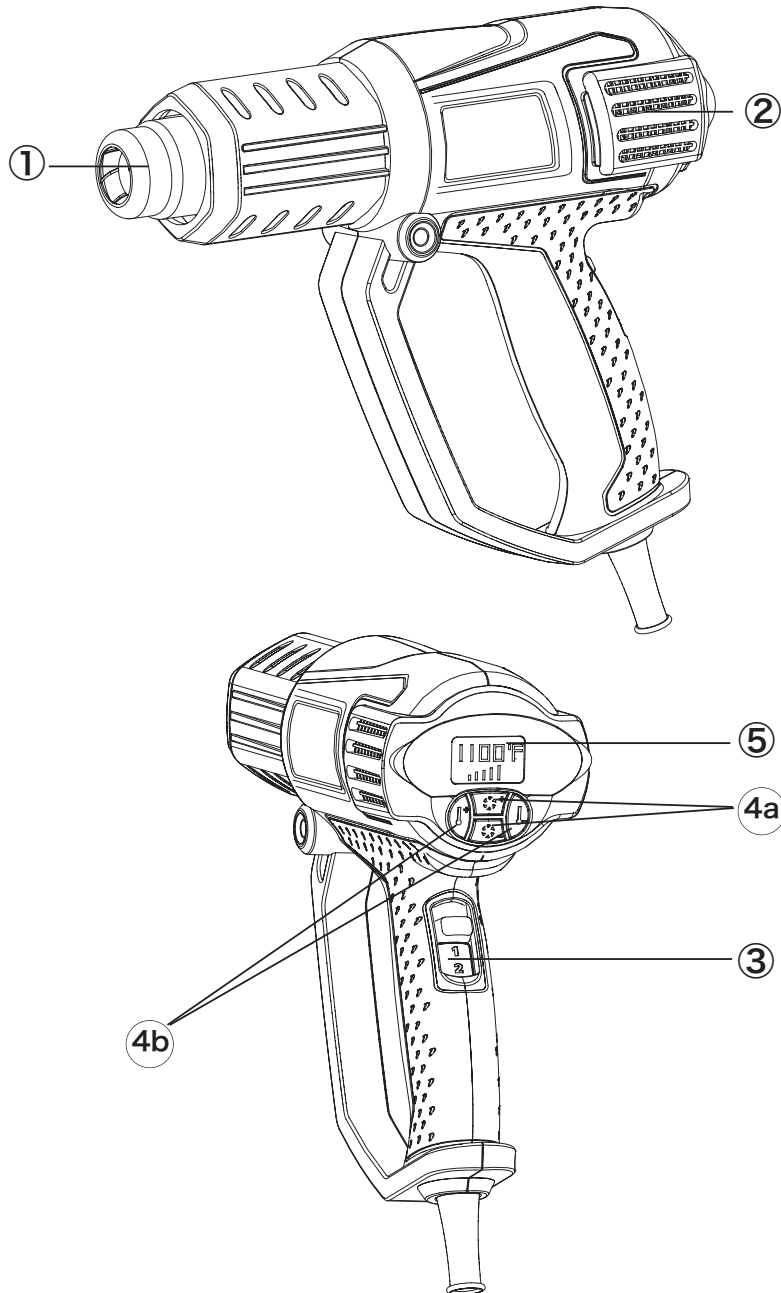


## HEAT GUN FEATURES



## 1. INTRODUCTION

Your heat gun has been designed for stripping paint, soldering pipes, shrinking PVC, welding and bending plastic as well as general drying and thawing purposes.



**WARNING! For your own safety read this instruction manual and general safety instructions carefully before using the appliance. Your power tool should only be passed on together with these instructions.**

## 2. DESCRIPTION

- ① Nozzle
- ② Ventilation Slots
- ③ On/Off & Control Switch (0/1/2 settings)
- ④ Temperature & Air Flow Adjusting Buttons
- ⑤ LCD Digital Display

## 3. UNPACKING

- Remove all packing materials.
- Remove remaining packaging and transit supports if any.
- Check all contents are included in the packaging.
- Check the appliance, the power cord, the power plug and all accessories for transportation damage.
- It is recommended to keep the packaging materials until the end of the specified warranty period. Dispose of relevant materials using your local waste disposal system on expiry of warranty.



**WARNING! Packing materials are not toys! Children must not play with plastic bags! Danger of suffocation!**

## 4. PACKING LIST

- Heat gun
- Set of accessories (see page 7 for a list of accessories)
- Instruction manual

**When parts are missing or damaged, please contact your dealer.**

## 5. GENERAL POWER TOOL SAFETY WARNING

Read all safety warnings and instructions. Failure to follow such may result in electric shock, fire and/or serious injury. Save all safety warnings and instructions for future reference.

### 5.1 WORK AREA SAFETY

- Keep work area clean and well lit. Cluttered and dark areas invite accidents.
- Do not operate power tools in explosive atmospheres, such as in the presence of flammable liquids, gases or dust. Power tools create sparks which may ignite the dust or fumes.
- Keep children and bystanders away while operating a power tool. Distractions can cause you to lose control.