

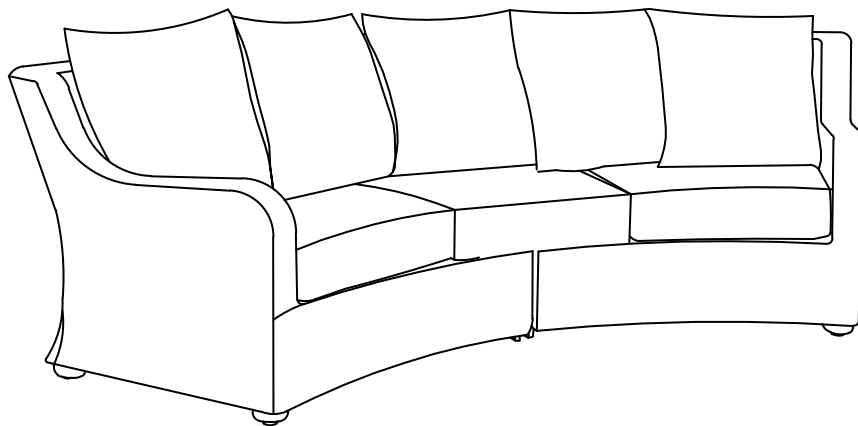
**HOME**  
DECORATORS  
COLLECTION

Item #9437200810  
Model #161-298-SOF-SB

## USE AND CARE GUIDE

---

### Sunset Point Fully Woven Aluminum Curved Cushioned 3 Seater Sofa



Questions, problems, missing parts? Before returning to the store,  
call Home Decorators Collection Customer Service  
8.00 a.m. - 6.00 p.m., EST, Monday - Friday

**1-800-245-2217**

**HOMEDECORATORS.COM**

---


**THANK YOU**


*We appreciate the trust and confidence you have placed in Home Decorators Collection through the purchase of this sofa. We strive to continually create quality products designed to enhance your home. Visit us online to see our full line of products available for your home improvement needs. Thank you for choosing Home Decorators Collection!*


# Table of Contents

Table of Contents.....	2	Pre-Assembly.....	3
Safety Information.....	2	Planning Assembly.....	3
Warranty.....	2	Hardware Included.....	3
Five Year Frame, Two Year Fabric and Weave		Package Contents.....	4
Limited Warranty.....	2	Assembly.....	5
What Is Covered.....	2		
What Is Not Covered.....	2		
Care and Cleaning.....	2		

# Safety Information

 **DANGER:** Please keep children out of the assembly area during assembly.

 **IMPORTANT:** Please check the tightness of the bolts at least every 180 days.

 **NOTE:** Level the ottomans with the glides at the bottom of each leg.

# Warranty

## FIVE YEAR FRAME / TWO YEAR FABRIC AND WEAVE LIMITED WARRANTY

### WHAT IS COVERED

We warrant the frame to be free of manufacturing defects to the original purchaser for five years and the fabric / weave for two years.

### WHAT IS NOT COVERED

It remains the customer's responsibility for freight and packaging charges to and from our service center. This warranty does not cover commercial use, hardware, acts of nature, fire, freezing and abusive use. In addition, purchased parts are not covered under this warranty. We reserve the right to make substitutions with similar merchandise, if the model in question is no longer in production.

# Care and Cleaning

Before using, wipe with a clean, dry cloth. Do not use bleach or solvents. Treat the frame with liquid wax for maximum protection against UV light and salty, damp air. When not in use, store furniture in a cool, dry place. If your set includes cushions or mesh fabric, they may be cleaned by hand with a mild solution of soap and water. Rinse the cushion thoroughly and allow to drip dry. Do not machine wash or tumble dry, as the cushions may shrink. Do not use bleach or solvents on fabrics. When cleaning the tabletop make sure to use a soft, clean cloth that doesn't bleed color as well.

You may contact our customer service department with any questions by phone at 1-800-245-2217 or visit [www.homedecorators.com](http://www.homedecorators.com).

# Pre-Assembly

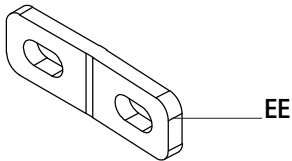
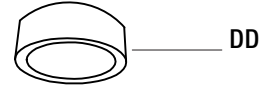
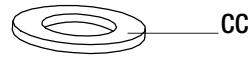
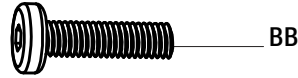
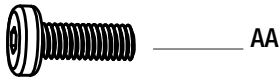
## PLANNING ASSEMBLY

It will take one person about 10 minutes to complete the assembly process.

## HARDWARE INCLUDED



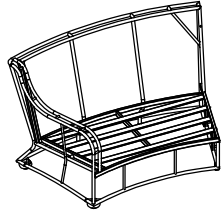
**NOTE:** Hardware not shown to actual size.



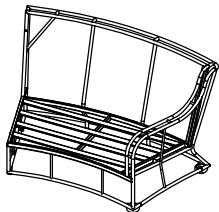
Part	Description	Quantity
AA	Bolt (M6x20)	2
BB	Bolt (M6x35)	4
CC	Washer	6
DD	Bolt cap	6
EE	Steel tab	1
FF	Hex wrench	1

# Pre-Assembly (continued)

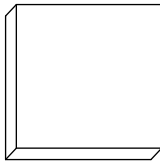
## PACKAGE CONTENTS



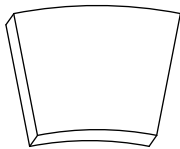
\_\_\_\_\_ A



\_\_\_\_\_ B



\_\_\_\_\_ C



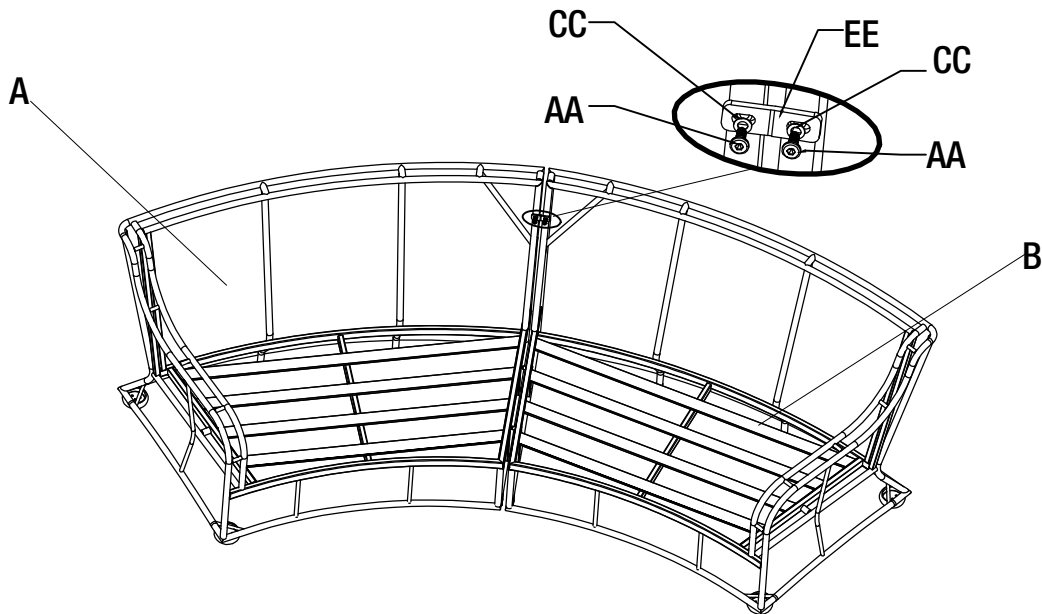
\_\_\_\_\_ D

Part	Description	Quantity
A	Left sectional sofa	1
B	Right sectional sofa	1
C	Back cushion	3
D	Seat cushion	3

# Assembly

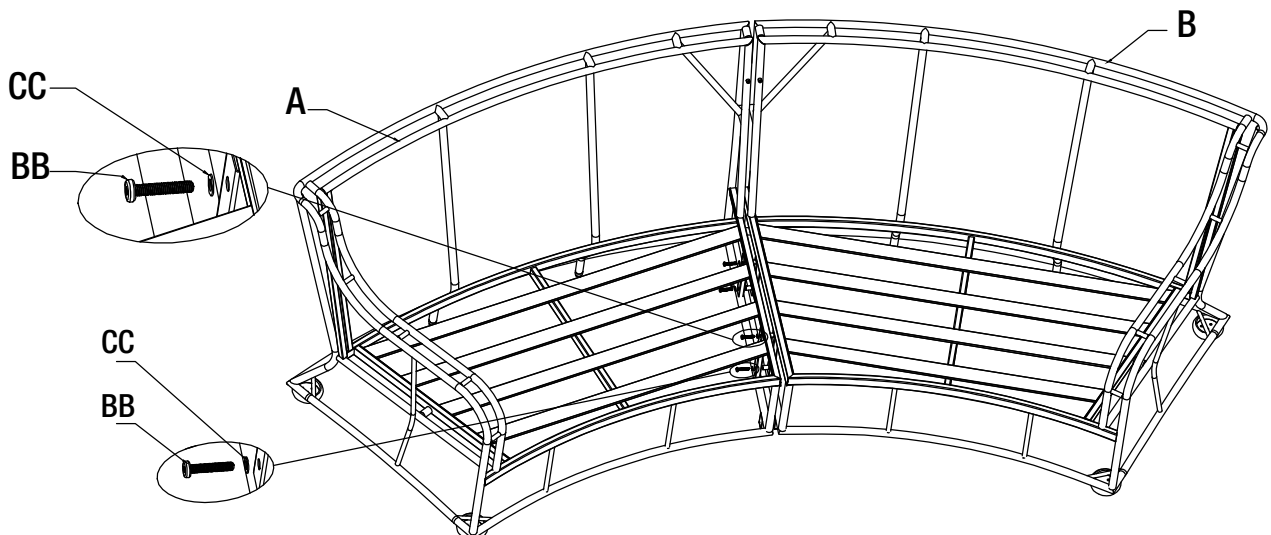
## 1 Connecting the back panels of the 3 seater sofa

- Attach the left sectional sofa (A) to the right sectional sofa (B) at the back panel with steel tab (EE), washers (CC) and bolts (AA). Do not fully tighten bolts until the end of step 2.



## 2 Connecting the seat panels of the 3 seater sofa

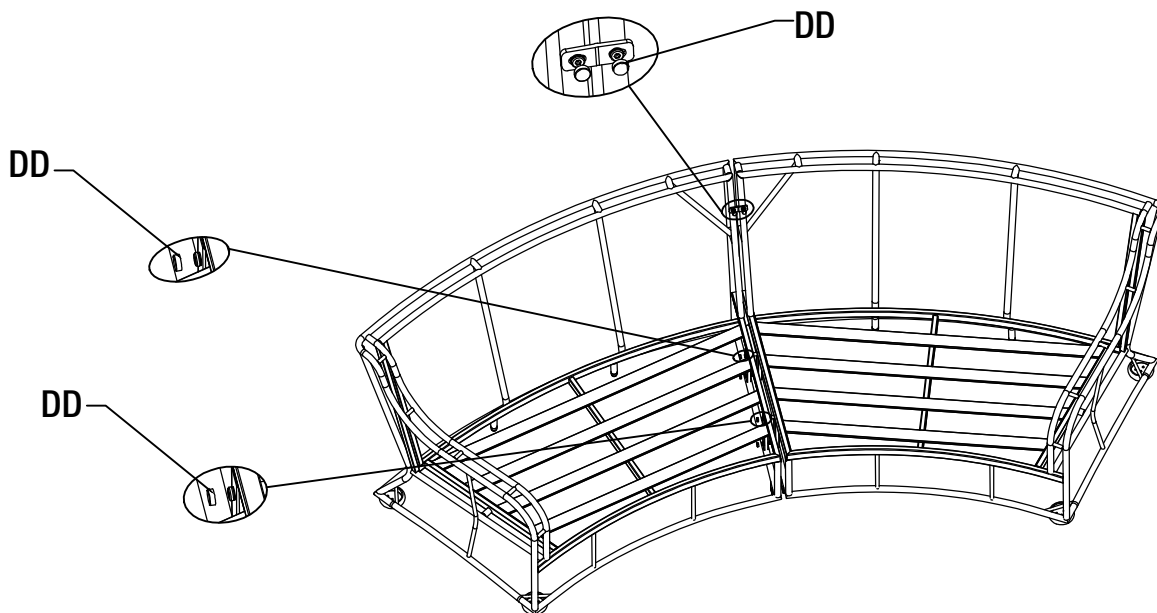
- Attach the left sectional sofa (A) to the right sectional sofa (B) at the seat panel with washers (CC) and bolts (BB). Fully tighten all bolts (BB) and (AA) when all bolts are in place.



# Assembly

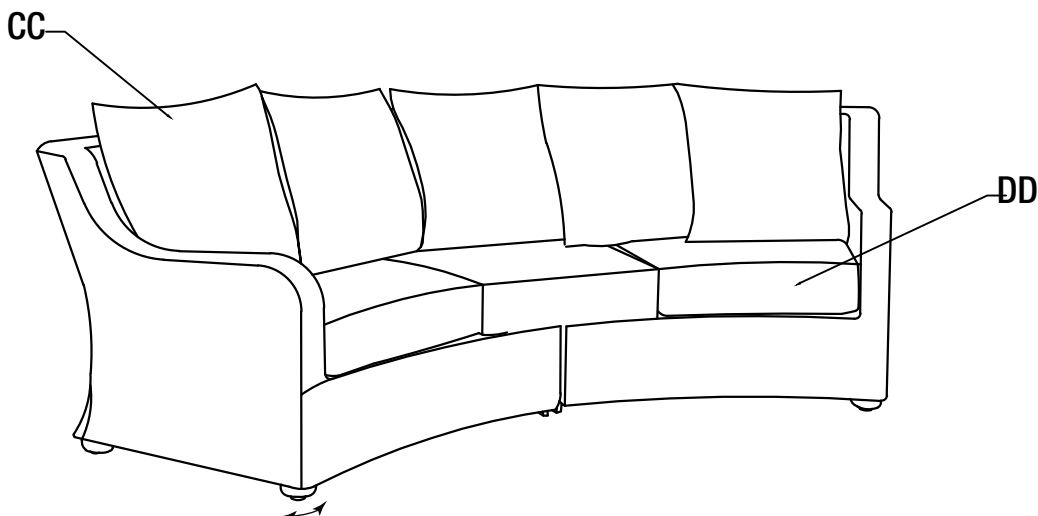
## 3 Attaching bolt caps

- Cover all bolts (AA, BB) with bolt caps (DD).



## 4 Placing cushions on the sofa

- Place cushions (CC) ,(DD) on the sofa.
- Level foot glides to stabilize the sofa.



**HOME**  
**DECORATORS**  
**COLLECTION**

Questions, problems, missing parts? Before returning to the store,  
call Home Decorators Collection Customer Service  
8.00 a.m. – 6.00 p.m., EST, Monday-Friday

**1-800-245-2217**

**HOMEDECORATORS.COM**

Retain this manual for future use.