

ACRYLIC BATH K-1490-X

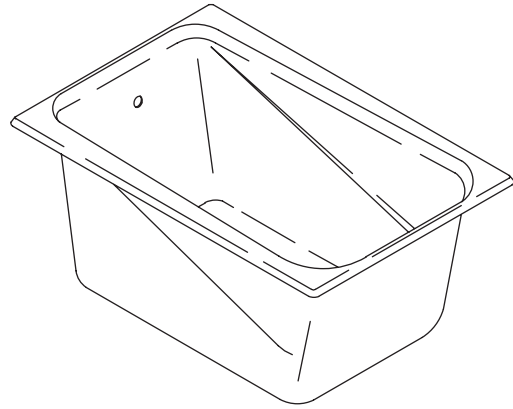
Features

- Acrylic
- With Respose™ vinyl bath pillow
- Optional K-1495 front apron
- 48" (121.9 cm) x 32" (81.3 cm) x 23-3/8" (59.4 cm)

Codes/Standards Applicable

Specified model meets or exceeds the following:

- ANSI Z124.1.2
- IAPMO/UPC
- CSA International



Colors/Finishes

- 0: White
- Other: Refer to Price Book for additional colors/finishes

Accessories

- 0: White
- CP: Polished Chrome
- PB: Vibrant® Polished Brass
- NA: None applicable
- Other: Refer to Price Book for additional colors/finishes

Specified Model

Model	Description	Colors/Finishes		
K-1490-X	Bath	<input type="checkbox"/> 0	<input type="checkbox"/> Other_____	
Recommended Accessories				
K-7163	Clearflo pop-up drain	<input type="checkbox"/> CP	<input type="checkbox"/> PB	<input type="checkbox"/> Other_____
Optional Accessories				
K-1179	Vinyl tiling-in bead (use when wall material contacts any top surface of bath)	<input type="checkbox"/> NA		
K-1491	Pillow	<input type="checkbox"/> 0	<input type="checkbox"/> Other_____	
K-1495	Apron (non-removable)	<input type="checkbox"/> 0	<input type="checkbox"/> Other_____	
K-1601	Footstop	<input type="checkbox"/> 0	<input type="checkbox"/> Other_____	

Product Specification

The acrylic bath shall be 48" (121.9 cm) in length, 32" (81.3 cm) in width, and 23-3/8" (59.4 cm) in height. The bath shall include a Respose™ vinyl bath pillow. The bath shall have an optional K-1495 front apron. The bath shall be Kohler Model K-1490-X-_____.

GREEK®

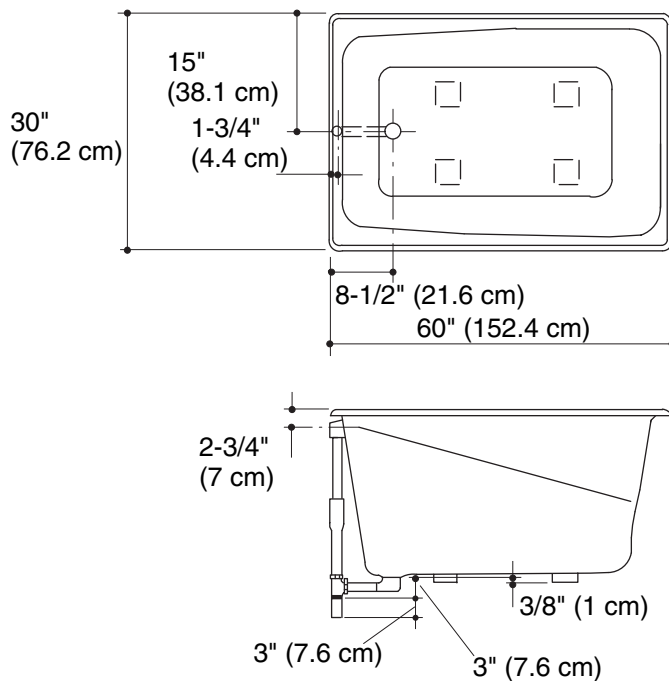
Technical Information

Fixture*:	
Basin area:	
Bathing well	36" (91.4 cm) x 21" (53.3 cm)
Top area	42" (106.7 cm) x 26" (66 cm)
To overflow:	
Water depth	17-7/8" (45.4 cm)
Capacity	68 gal (257.4 L)
Weight	60 lbs (27.2 kg)
Drop-in cutout	46-1/2" (118.1 cm) x 30-1/2" (77.5 cm)
* Approximate measurements for comparison only.	
Included components:	
Respose™ vinyl bath pillow	61482

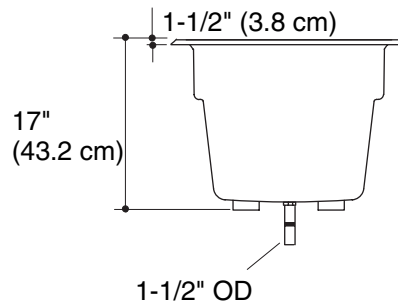
Installation Notes

Install this product according to the installation guide.

Floor support under bath must provide for a minimum of 61 lbs/square foot (299 kg/square meter) loading.



No change in measurements if connected with drain illustrated.



Product Diagram