

# Heavy Duty Safety Switch with Crouse-Hinds Interlocked Receptacle & Viewing Window

## Type VBII, 60 Amp, Type 12 Industrial & Type 4/4X Stainless Steel

### Standards and Ratings

- UL Listed under file #E4776
- Meets UL98 for switches and UL50 for enclosures
- Meets NEMA Standard KS-1 for enclosed switches
- Meets NEC wire bending space requirements
- CSA certified under file #1079316
- Rated 10,000 AIC with Class H fuses or 200,000 AIC with Class R and J fuses
- I<sup>2</sup>t rated (Amps<sup>2</sup> x Seconds = 200,000)
- 12X overload current rating exceeds standard 10X industry standard

### Features

- Quick-make and break switching action

- Double break visible blade design
- Highly visible ON/OFF indication
- Window permits viewing of both visible blades and indicating type fuses
- Rugged installer friendly enclosure design
- Modular design allows quick and easy replacement of parts
- Front removable lugs which can easily be converted to copper body or compression type lugs
- Defeatable dual cover interlock
- Insertion or removal of the plug is prevented by the interlock linkage while the switch is ON
- Receptacle prevents operation of the switch if an incorrect plug is inserted
- Accepts Crouse-Hinds plug # APJ6485 and NPJ6485

### General Information

Catalog Number	Volts	Description	Shipping Weight (lbs.)
<b>Type 12 Industrial</b> <sup>1</sup>			
HF362JCHW	600	3 Pole, 3 Wire, Fusible	19
HNF362JCHW	600	3 Pole, 3 Wire, Non-Fusible	19
<b>Type 4/4X Stainless Steel</b>			
HF362SCHW	600	3 Pole, 3 Wire, Fusible	23
HNF362SCHW	600	3 Pole, 3 Wire, Non-Fusible	23

### Horsepower Ratings<sup>2 3</sup> - 600 Volts

Catalog Number	3 Phase, 480V AC		3 Phase, 600V AC		250V DC
	Std	Max	Std	Max	
HF362JCHW <sup>4</sup>	15	30	15	50	10
HF362SCHW <sup>4</sup>	15	30	15	50	10
HNF362JCHW <sup>5</sup>	—	50	—	60	10
HNF362SCHW <sup>5</sup>	—	50	—	60	10

<sup>1</sup> Also rated 3R/3S for outdoor use.

<sup>2</sup> Horsepower ratings listed also apply to Design E motors with no derating.

<sup>3</sup> Dual horsepower ratings: Std - applies when non-time delay fuses are installed.

Max - applies when time-delay fuses are installed.

<sup>4</sup> Also rated 15HP max. on 3Ø, 240V AC systems.

<sup>5</sup> Also rated 20HP on 3Ø, 240V AC systems.

# Product Specification Sheet HD60.11

Answers for industry.

**SIEMENS**

# Product Specification Sheet #HD60.11 (page 2 of 3)

## Accessories

Catalog Number	Description
HA161234	One Normally Open and Closed Auxiliary Switches
HA261234	Two Normally Open and Closed Auxiliary Switches
HA361234	Low Voltage Auxiliary Switch
HG61234	Equipment Ground Lug Kit (Factory installed) <sup>1</sup>
HP62	Fuse Puller
HR62	600 Volt Class R Fuse Clip Kit (3 fuse clips per kit)
HLC612	Copper Lug Kit (9 lugs per kit)
SSH100	1.00" Type 12 and 4X Hub
SSH150	1.50" Type 12 and 4X Hub

## Replacement Parts

Catalog Number	Description
HFB62	Fusible Line Side Replacement Base
HBB62	Fusible Load Side Replacement Base
HNB623	Non-Fusible 600 Replacement Base
HH6123	Replacement Handle/Handle Guard (HH6123S for Type 4X)
HL612	Replacement Lugs (3 lugs per kit)
HM6123	Replacement Mechanism (HM6123S for Type 4X)
<sup>2</sup>	Replacement Door

## Mechanical Lug Wire Ranges (60/75°C, Cu/Al)

Description	Wire Range
Line, Load Neutral	#14-3 AWG (Cu/Al)
Ground <sup>2</sup>	#14-4 AWG

## Compression Lugs

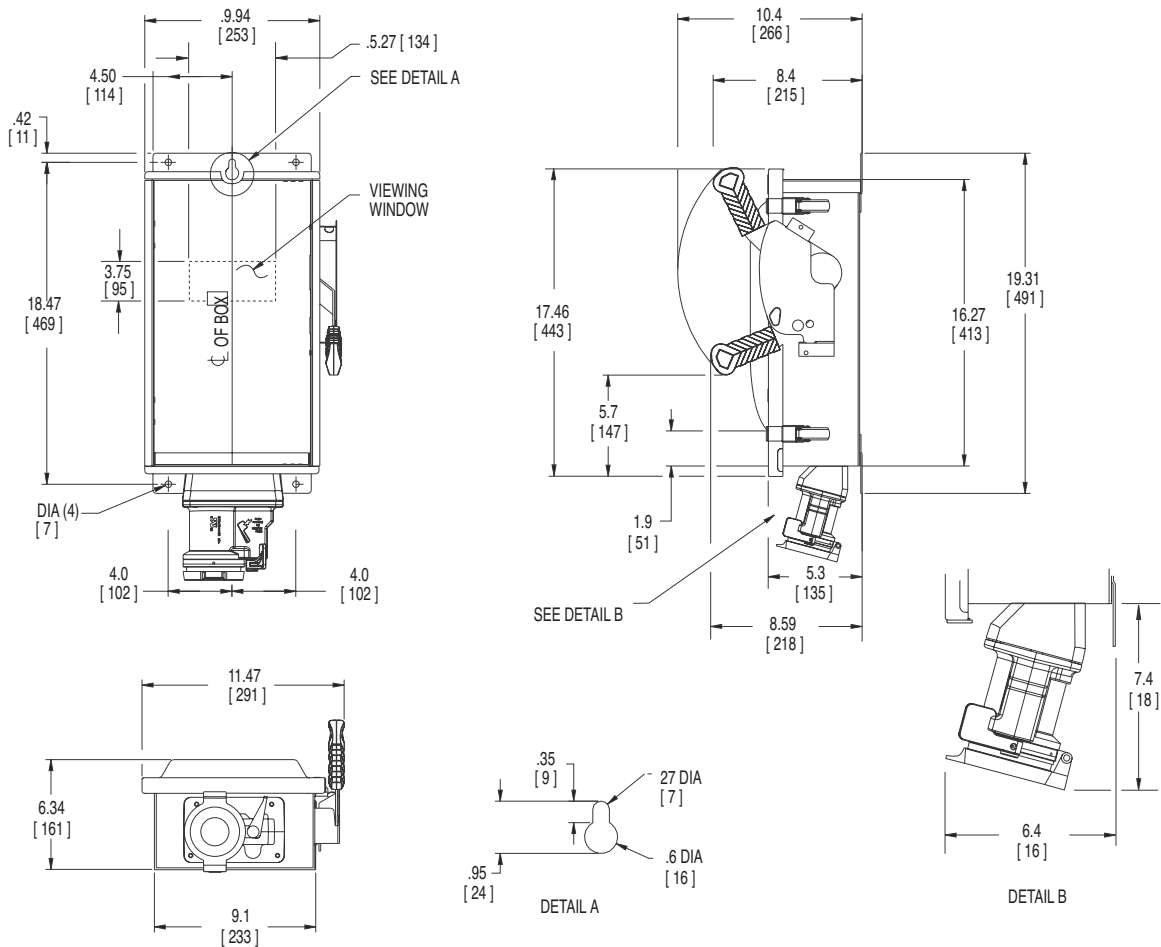
Wire Size	Burndy		Thomas-Betts		Ilsco	
	CU Only	CU/AL	CU Only	CU/AL	CU Only	CU/AL
#14-10			256-30695-1352	60097		
#8	YA8C-L1 BOX YA8C-TC14	YA8CA3	54130 54930BE	60102 61102		ACL-8
#6	YA6C-L BOX YA6C	YA6CA1	54105 54905BE	60107 61107	CRB-6 CRB-6L	ACL-6
#4			54106	61112	CRB-4	

<sup>1</sup> Load side of ground kit is wired to the 3 phase, 4 wire grounded type receptacle.

<sup>2</sup> Place "Door" at the end of the switch catalog number.

# Product Specification Sheet #HD60.11 (page 3 of 3)

## Dimension Drawing



No knockouts in the enclosure.  
 Dimensions shown in inches and millimeters ( ).  
 Dimension shown accurate to  $\pm \frac{1}{8}$  inch.

	LINE SIDE WIRE BEND
600V Fused	3.54 (90)
Non-Fused	3.54 (90)

Type 12 Enclosure: Galvanized Steel  
 .054 Thick (17 Gauge)  
 Finish: ANSI Grey #61 Paint  
 Type 4X Enclosure: 304 Stainless Steel  
 .055 Thick (17 Gauge)

60A Crouse-Hinds Receptacle  
 Type 12 # WBR6442  
 Type 4X # WBR6442-S752