

WA50M7450AW

SAMSUNG

Samsung Top-Load Washer

5.0 cu. ft. Capacity DOE



Signature Features

5.0 cu. ft. Capacity

- Fewer washes, less time in the laundry room.

VRT Plus™ Technology

- Reduces vibration 40% more than standard VRT™ for quiet washing.*

*Based on Owens Corning sounds power testing.

Self Clean

- Keeps your laundry drum fresh and odor-free.
- Sends reminders to clean the tub every 40 wash cycles.

Available Color



White



5.0 cu. ft. Capacity



VRT Plus™ Technology

Features

- 5.0 cu. ft. Capacity
- VRT Plus™ Technology
- Self Clean
- Smart Care
- Diamond Drum Design
- EZ Drawer Dispenser
- 800 RPM Maximum Spin Speed
- Stainless Steel Pulsator
- Direct Drive Motor
- 11 Preset Wash Cycles
- 7 Options
- LED Display: Ice Blue
- Door Lid: Chrome Deco Tinted Glass
- Soft-Close Lid

Convenience

- Child Lock
- Delay End
- Dispenser Trays: Main Wash, Softener, Bleach (Auto)

Rating



ENERGY STAR®-rated

IMEF = 2.06

IWF = 4.30

125 kWh/yr

WA50M7450AW

SAMSUNG

Samsung Top-Load Washer

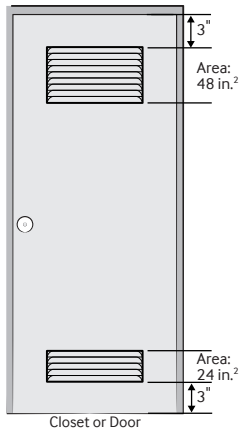
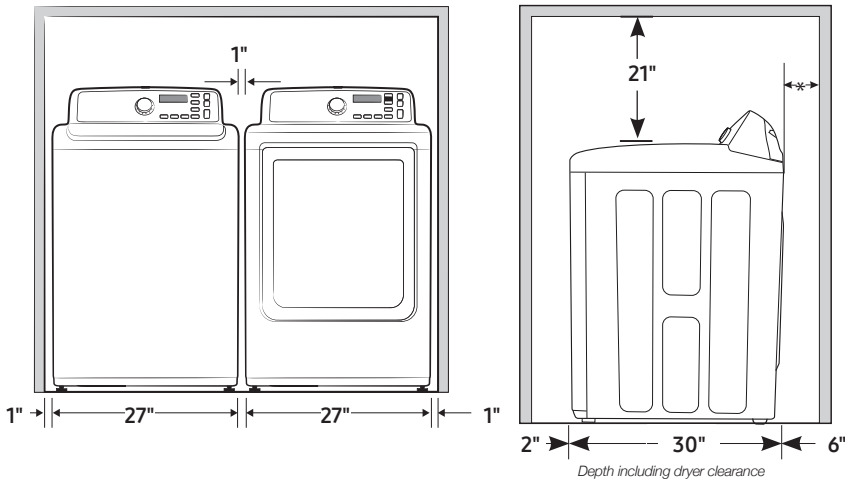
5.0 cu. ft. Capacity DOE

Installation Specifications

Alcove or closet installation

Recessed Area

Side View Confined



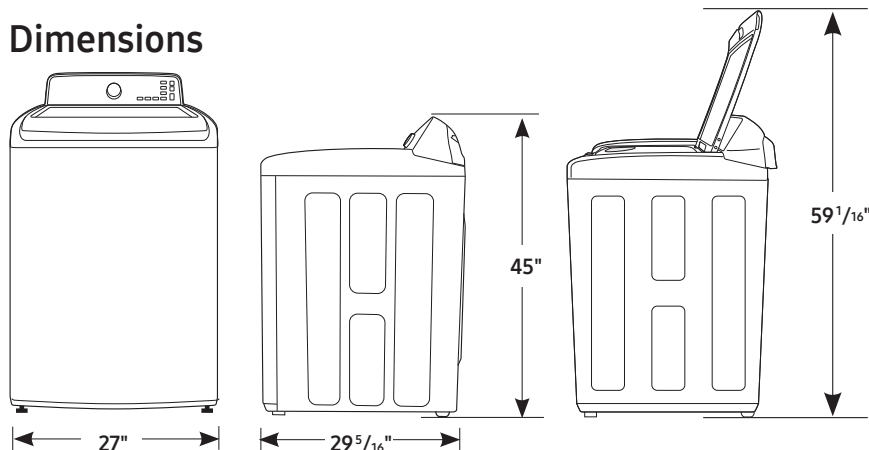
Minimum clearances for closets and alcoves:

Sides – 1"
Top – 21"
Rear – 6"
Closet Front – 2"

If the washer and dryer are installed together, the closet front must have at least a 72-inch² unobstructed air opening. Your washer alone does not require a specific air opening.

*Required spacing (External exhaust elbow may require additional space.)

Dimensions



11 Preset Wash Cycles:

Normal, Bedding/WaterProof, Heavy Duty, Permanent Press, Brilliant Whites, Active Wear, Delicates/Hand Wash, Quick Wash, Rinse and Spin, Spin Only, Deep Wash

7 Options:

Self Clean, Delay End, Pre Soak, Extra Rinse, Sound On/Off, Child Lock, Smart Care

5 Temperature Settings:

Hot, Warm, Eco Warm, Cold, Cool

4 Spin Settings:

High, Medium, Low, No Spin

3 Soil Settings:

Heavy, Normal, Light

2 Sound Level Settings:

On/Off

Dispenser Trays:

Main Wash, Softener, Bleach (Auto)

Warranty

One (1) Year Parts and Labor
Three (3) Years Stainless Steel Tub (Part Only)
Ten (10) Years Direct Drive Motor (Part Only)

Product Dimensions & Weight (WxHxD)

Dimensions: 27" x 45" x 29⁵/₁₆"
Weight: 141.1 lbs

Shipping Dimensions & Weight (WxHxD)

Dimensions: 29⁹/₁₆" x 47³/₄" x 31¹/₁₆"
Weight: 152.1 lbs

Color	Model #	UPC Code
White	WA50M7450AW	887276196411

Matching Dryer (Electric/Gas)

White	DVE50M7450W	887276196978
White	DVG50M7450W	887276197012