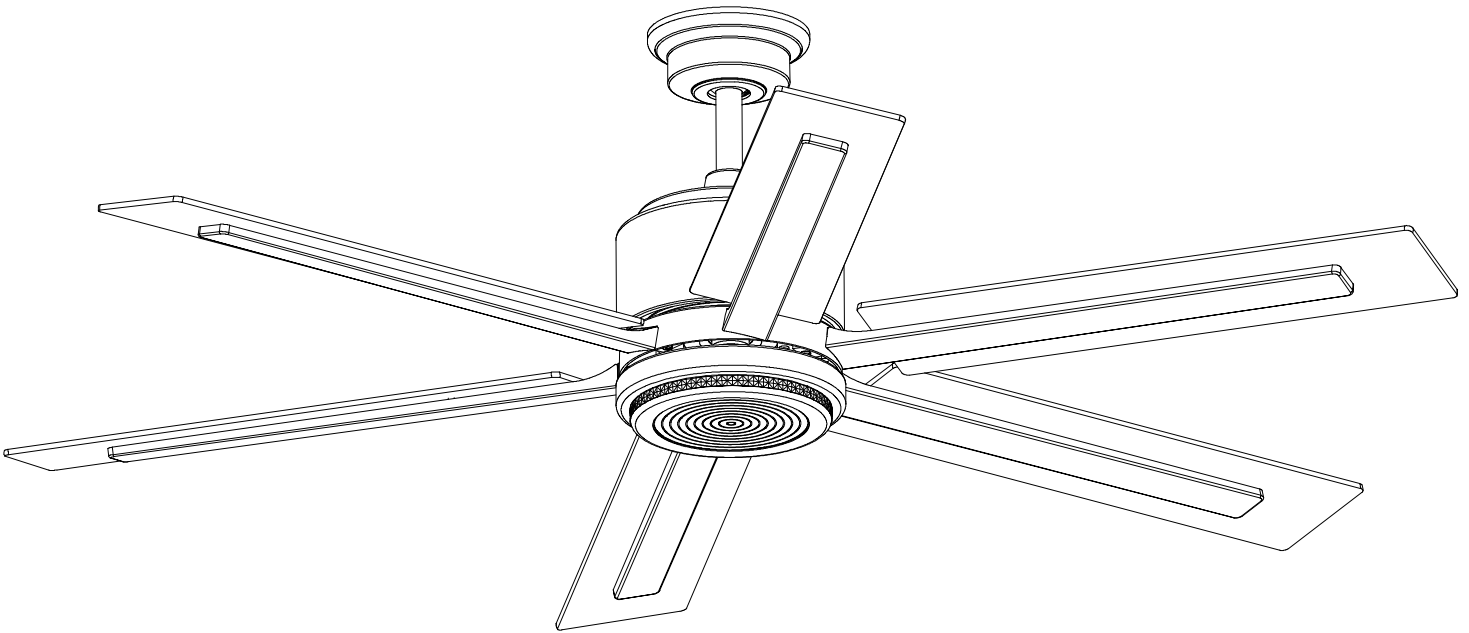


USE AND CARE GUIDE

PALERMO GROVE 60-INCH CEILING FAN



Questions, problems, missing parts? Before returning to the store,
call Home Decorators Collection Customer Service
8 a.m. - 7 p.m., EST, Monday-Friday, 9 a.m. - 6 p.m., EST, Saturday.

1-800-986-3460

HOMEDEPOT.COM/HOMEDECORATORS

THANK YOU

We appreciate the trust and confidence you have placed in Home Decorators Collection through the purchase of this ceiling fan. We strive to continually create quality products designed to enhance your home. Visit us online to see our full line of products available for your home improvement needs. Thank you for choosing Home Decorators Collection!

Table of Contents

Table of Contents	2	Assembly	7
Safety Information	2	Operation	13
Warranty	3	Care and Cleaning	15
Pre-Installation	3	Troubleshooting	15
Installation.....	6		

Safety Information

READ AND SAVE THESE INSTRUCTIONS.

1. To reduce the risk of electric shock, ensure the electricity has been turned off at the circuit breaker or fuse box before you begin.
2. All wiring must be in accordance with the National Electrical Code ANSI/NFPA 70 and local electrical codes. Electrical installation should be performed by a qualified licensed electrician.
3. The outlet box and support structure must be securely mounted and capable of reliably supporting a minimum of 35 lbs. (15.9 kg). Use only UL-listed outlet boxes marked "Acceptable for Fan Support of 35 lbs. (15.9 kg) or less."
4. The fan must be mounted with a minimum of 7 ft (2.1 m) of clearance from the trailing edge of the blades to the floor.
5. Do not place objects in the path of the blades.
6. To avoid personal injury or damage to the fan and other items, use caution when working around or cleaning the fan.
7. After making electrical connections, spliced conductors should be turned upward and pushed carefully up into the outlet box. The wires should be spread apart with the grounded conductor and the equipment-grounding conductor on one side of the outlet box and the ungrounded conductor on the other side of the outlet box.
8. All set screws must be checked and retightened where necessary before installation.



WARNING: To reduce the risk of personal injury, do not bend the blade brackets (also referred to as flanges) during assembly or after installation. Do not insert objects in the path of the blades.



WARNING: To reduce the risk of fire or electric shock, do not use this fan with any solid-state speed control device.



WARNING: To avoid possible electrical shock, turn the electricity off at the main fuse box before wiring. If you feel you do not have enough electrical wiring knowledge or experience, contact a licensed electrician.



WARNING: To reduce the risk of fire, electric shock or personal injury, mount to outlet box marked "Acceptable for fan support of 35 lbs. (15.9 kg) or less", and use screws provided with the outlet box.



WARNING: Electrical diagrams are for reference only. If you are using a light kit, refer to the light kit instructions manual to make the electrical connections. Optional use of any light kit shall be UL-listed and marked suitable for use with this fan.



WARNING: To reduce the risk of fire or electric shock, this fan should only be used with fan speed control part no. MDF40S-H04R, manufactured by Dawnsun Electronic Technology Co., Ltd. Zhongshan.



WARNING: To reduce the risk of electric shock, this fan must be installed with an isolating wall switch.



CAUTION: To reduce the risk of personal injury, use only the screws provided with the outlet box.



CAUTION: Do NOT use this fan with a dimmer switch or wall control. Using a dimmer switch or wall control will damage the fan.



CAUTION: Changes or modifications not expressly approved by the party responsible for compliance could void the user's authority to operate the equipment.

Warranty

The supplier warrants the fan motor to be free from defects in workmanship and material present at time of shipment from the factory for a lifetime after the date of purchase by the original purchaser. The supplier also warrants that all other fan parts, excluding any glass or acrylic blades, to be free from defects in workmanship and material at the time of shipment from the factory for a period of two years after the date of purchase by the original purchaser. We agree to correct such defects without charge or at our option replace with a comparable or superior model if the product is returned. To obtain warranty service, you must present a copy of the receipt as proof of purchase. All costs of removing and reinstalling the product are your responsibility. Damage to any part such as by accident or misuse or improper installation or by affixing any accessories, is not covered by this warranty. Because of varying climatic conditions this warranty does not cover any changes in brass finish, including rusting, pitting, corroding, tarnishing, or peeling. Brass finishes of this type give their longest useful life when protected from varying weather conditions. A certain amount of "wobble" is normal and should not be considered a defect. Servicing performed by unauthorized persons shall render the warranty invalid. There is no other express warranty. Home Decorators Collection hereby disclaims any and all warranties, including but not limited to those of merchantability and fitness for a particular purpose to the extent permitted by law. The duration of any implied warranty which cannot be disclaimed is limited to the time period as specified in the express warranty. Some states do not allow a limitation on how long an implied warranty lasts, so the above limitation may not apply to you. The retailer shall not be liable for incidental, consequential, or special damages arising out of or in connection with product use or performance except as may otherwise be accorded by law. Some states do not allow the exclusion of incidental or consequential damages, so the above exclusion or limitation may not apply to you. This warranty gives specific legal rights, and you may also have other rights which vary from state to state. This warranty supersedes all prior warranties. Shipping costs for any return of product as part of a claim on the warranty must be paid by the customer.

Contact the Customer Service Team at 1-800-986-3460 or visit www.HomeDepot.com/homedecorators.

Pre-Installation

SPECIFICATIONS

Size	Speed	Volts	Fan Power Consumption (without lights) WATT	Airflow CFM	Airflow Efficiency (Higher Is Better) CFM/WATT	Net Weight	Gross Weight	Cubic Feet
60 in.	Low	120	11	4500	409	22.93 lb (10.4 kg)	26.46 lb (12 kg)	2.197 cu. ft.
	Medium		19	5856	308			
	High		35	6978	199			



NOTE: These are approximate measures. They do not include the Amps and Wattage used by the light kit.



Intertek

Pre-Installation (continued)

TOOLS REQUIRED



Phillips screwdriver



Flat blade screwdriver



Adjustable wrench



Electrical tape



Wire cutter / Stripper

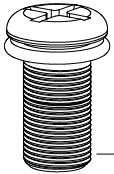


Step ladder

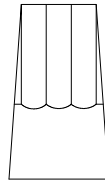
HARDWARE INCLUDED



NOTE: Hardware not shown to actual size.



AA



BB



CC



DD



EE

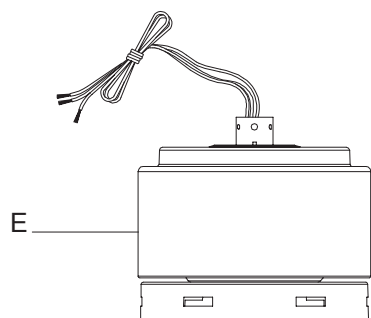
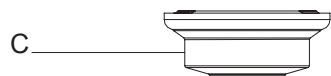
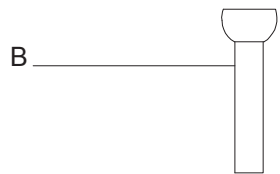
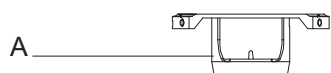


FF

Part	Description	Quantity
AA	Blade blacket screws	19
BB	Plastic wire connecting nut	3
CC	Blade attachment screws	19
DD	Blade decorative bar attachment screws	37
EE	Hanger pin	1
FF	Locking pin	1

Pre-Installation (continued)

PACKAGE CONTENTS



Part	Description	Quantity
A	Mounting bracket (inside canopy)	1
B	Ball/downrod assembly	1
C	Canopy with canopy ring attached	1
D	Decorative motor collar cover	1
E	Fan-motor assembly	1

Part	Description	Quantity
F	Blade decorative bar	6
G	Blade	6
H	Blade arms	6
I	Light kit pan	1
J	Glass shade	1
K	Light kit fitter assembly	1
L	Transmitter	1
M	Battery	2



IMPORTANT: This product and/or components are governed by one or more of the following U.S. Patents: 5,947,436; 5,988,580; 6,010,110; 6,046,416; 6,210,117 and other patents pending.

Installation

MOUNTING OPTIONS

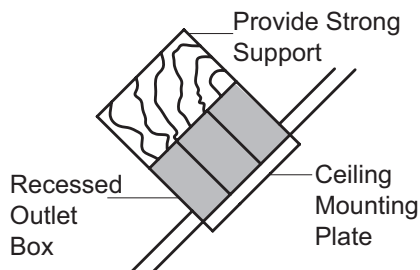
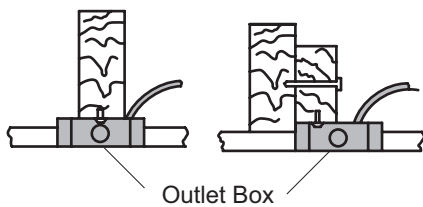
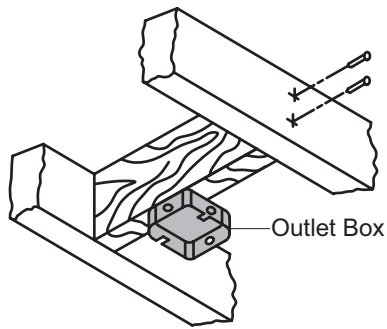


WARNING: To reduce the risk of fire, electric shock or personal injury, mount to outlet box marked "Acceptable for fan support of 35 lbs. (15.9 Kg) or less", and use screws provided with the outlet box. An outlet box commonly used for the support of lighting fixtures may not be acceptable for fan support and may need to be replaced. If in doubt, consult a qualified electrician.

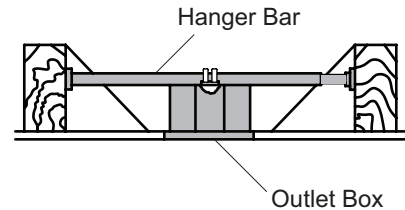
If your ceiling fan does not have an existing UL-listed mounting box, then install one using the following instructions:

- Disconnect the power by removing the fuses or turning off the circuit breakers.
- Secure the outlet box directly to the building structure. Use the appropriate fasteners and materials. The outlet box and support structure must be securely mounted and capable of reliably supporting a minimum of 35 lbs. (15.9 Kg). Use only UL-listed outlet boxes marked "Acceptable for fan support of 35 lbs. (15.9 Kg) or less" Do not use a plastic outlet box.

The illustrations below show three different ways to mount the outlet box.



NOTE: You may need a longer downrod to maintain proper blade clearance when installing on a steep, sloped ceiling. The maximum angle allowable is 30° away from horizontal.



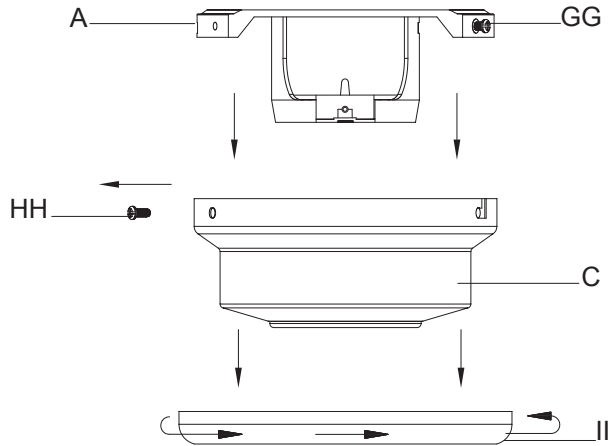
If the canopy touches the downrod, then remove the decorative canopy bottom cover, and turn the canopy 180° before attaching the canopy to the mounting plate.

To hang your fan where there is an existing fixture but no ceiling joist, you may need an installation hanger bar as shown above (available at any Home Depot store).

Assembly - Standard Ceiling Mount

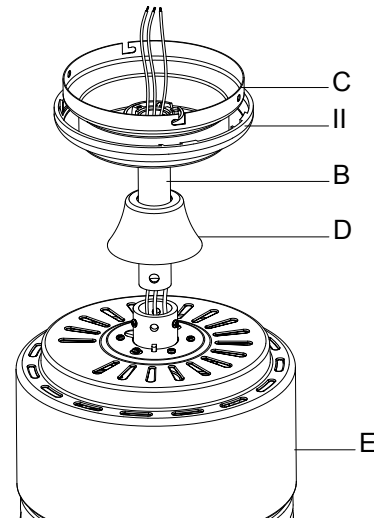
1 Preparing for mounting

- Remove the canopy ring (II) from the canopy (C) by turning the ring (II) counterclockwise until it unlocks.
- Remove the mounting bracket (A) from the canopy (C) by loosening the two canopy screws (GG) located in the “L shaped” slots.
- Remove and save two canopy screws (HH) in the round holes. This will enable you to remove the mounting bracket (A).



2 Routing the wires

- Route the wires exiting the top of the fan motor assembly (E) through the center of the canopy ring (II). Make sure the slots on the canopy ring (II) are on top.
- Insert the ball/downrod (B) through the canopy (C) and slide the decorative motor collar cover (D) onto the end of the ball/downrod (B). Make sure the slots on the canopy (C) are on top. Route the wires exiting the top of the fan motor assembly (E) through the downrod (B) as shown.

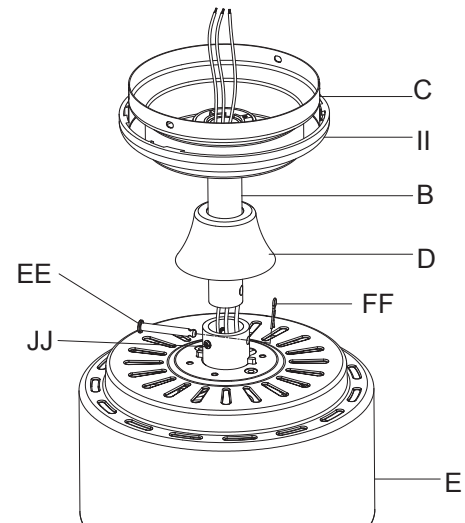


3 Assembling the fan



WARNING: Failure to properly install the locking pin (FF) could result in the fan becoming loose and possibly falling.

- Loosen, but do not remove, the setscrews (JJ) on the collar on top of the fan-motor assembly (E).
- Align the holes at the bottom of the ball/downrod assembly (B) with the holes in the collar on top of the fan-motor assembly (E).
- Carefully insert the hanger pin (EE) through the holes in the collar and ball/downrod assembly (B). Be careful not to jam the hanger pin (EE) against the wiring inside the ball/downrod assembly (B).
- Insert the locking pin (FF) through the hole near the end of the hanger pin (EE) until it snaps into its locked position.
- Re-tighten the setscrews (JJ) on the collar on top of the fan motor assembly (E).



Assembly - Hanging the Fan

1 Attaching the fan to the electrical box

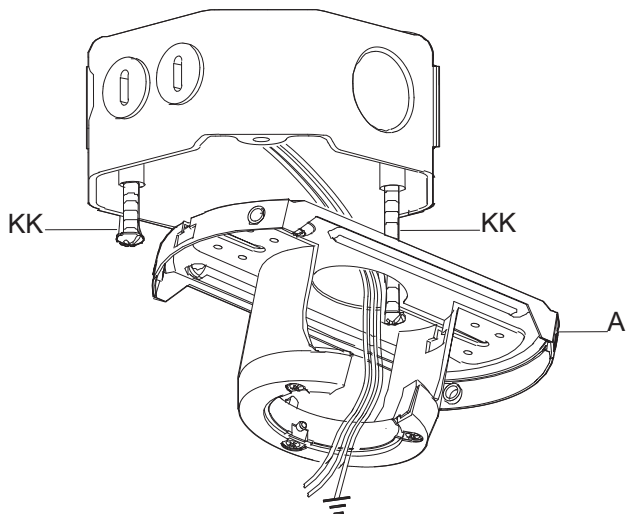


WARNING: To reduce the risk of fire, electric shock or personal injury, mount to outlet box marked "Acceptable for fan support of 35 lbs. 15.9 kg or less", and use screws provided with the outlet box.



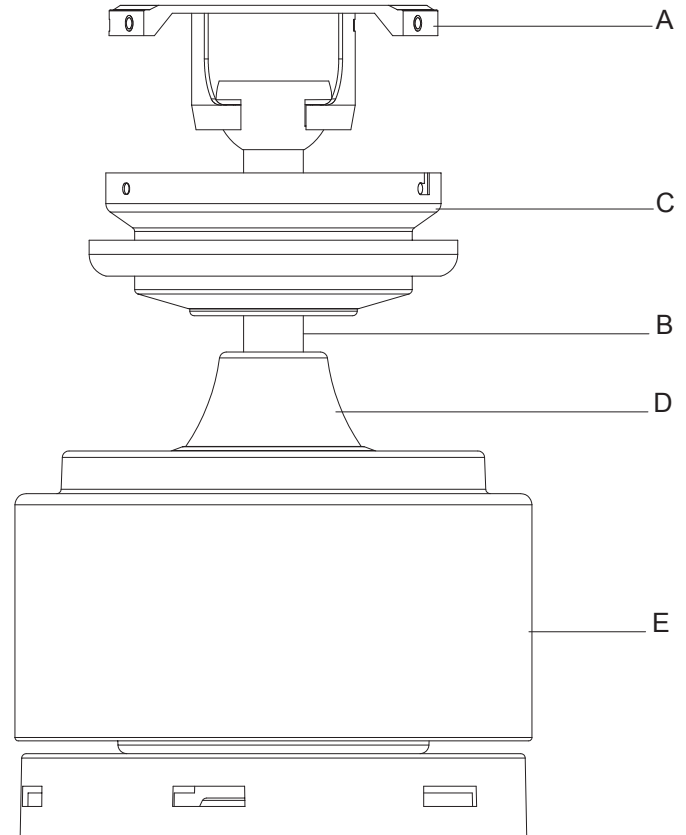
NOTE: The mounting bracket (A) is designed to slide into place on an outlet box with the outlet box screws (KK) installed.

- Loosen the two mounting screws (KK) in the outlet box.
- Pass the 120-Volt supply wires through the center hole in the mounting bracket (A).
- Install the slide-on mounting bracket (A) on the outlet box by sliding the slide-on mounting bracket (A) over the two screws (KK) provided with the outlet box. If necessary, use leveling washers (not included) between the slide-on mounting bracket (A) and the outlet box. The flat side of the slide-on mounting bracket (A) should face toward the outlet box, as shown.
- Securely tighten the two screws on the electrical box.



2 Hanging the fan

- Carefully lift the fan-motor assembly (E) up to the slide-on mounting bracket (A).
- Insert the ball portion of the ball/downrod assembly (B) into the socket of the slide-on mounting bracket (A).
- Turn the ball/downrod assembly (B) clockwise until it is seated with the tab of the slide-on mounting bracket (A) aligned with the slot in the ball.



Assembly - Hanging the Fan (continued)

3 Making the electrical connections



WARNING: Each wire nut supplied with this fan is designed to accept up to one 12-gauge house wire and two wires from the fan. If you have larger than 12-gauge house wiring or more than one house wire to connect to the fan wiring, consult an electrician for the proper size wire nuts to use.



IMPORTANT: Use the plastic wire connectors (BB) supplied with your fan. Secure the connectors with electrical tape and ensure there are no loose strands or connections.

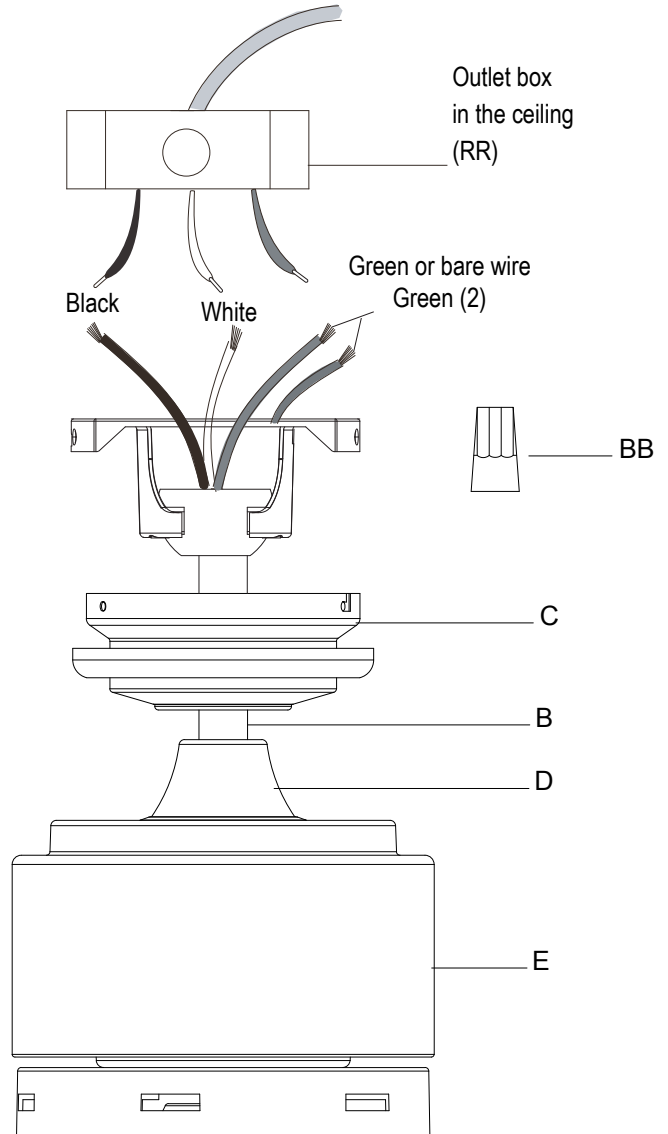


NOTE: The fan comes with 80 in. lead wires for use with an extended ball/downrod assembly. If using the 6 in. ball/downrod assembly (B) provided, you can cut the lead wires to your desired length (no shorter than 12 in.)



NOTE: The blades must be installed before attempting to operate the fan. If the blades are not installed, the motor will not function properly.

- The fan comes with 80 in. lead wires for use with an extended ball/downrod assembly. If using the 6 in. ball/downrod assembly (B) provided, you can cut the lead wires to your desired length (no shorter than 12 in.). This will make extra room in the canopy (C). If you do not wish to cut the wires, you will need to neatly wrap them.
- Connect the fan green wires to the household green or bare wire using a wire connecting nut (BB).
- Connect the fan motor white wires to the household white wire using a wire connecting nut (BB).
- Connect the fan motor black wires to the household black wire using a wire connecting nut (BB).
- Secure each wire connecting nut using electrical tape.
- Turn the wire connecting nut (BB) upward and push the wiring into the outlet box.



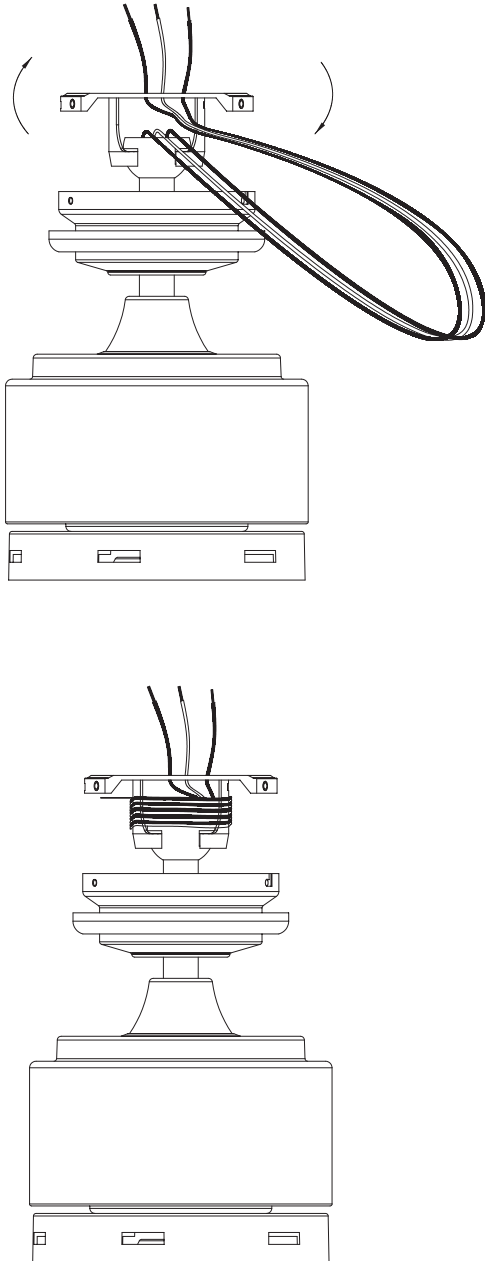
Assembly - Hanging the Fan (continued)

4 Wrapping the extra wire



NOTE: Follow this step **ONLY** if you did not cut the extra length off from the wires coming from the ceiling fan.

- Gently wrap the excess wire around the mounting bracket.
- Secure with electrical tape.



5 Mounting the fan-motor assembly (standard mount)

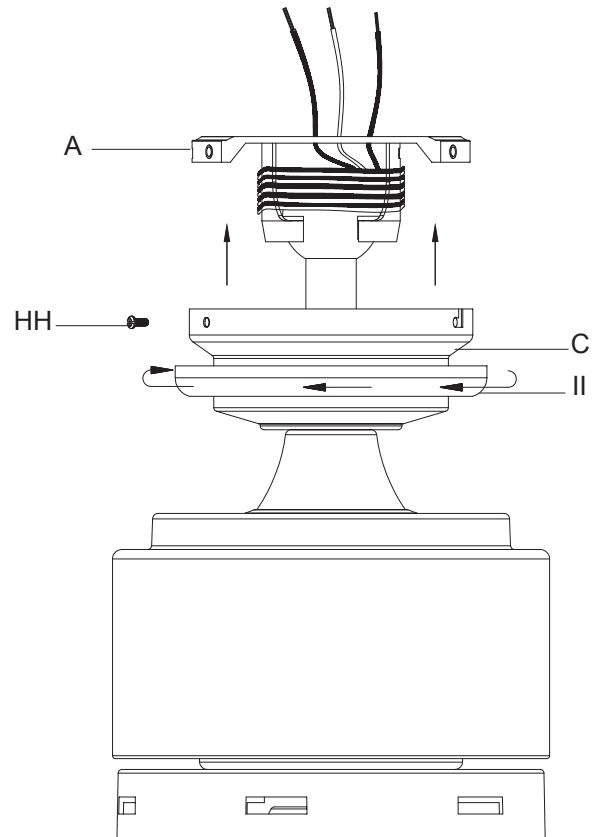


WARNING: When using the standard ball/downrod mounting, the tab in the ring at the bottom of the mounting bracket must rest in the groove of the hanger ball. Failure to properly seat the tab in the groove could cause damage to the wiring.



WARNING: The locking slots of ceiling canopy are provided only as an aid to mounting. Do not leave the fan assembly unattended until all four canopy screws are engaged and firmly tightened.

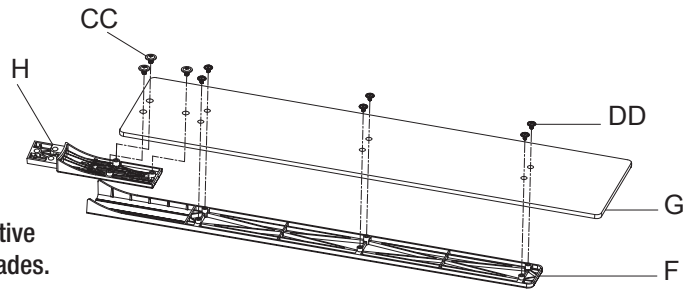
- Align the locking slots of the canopy (C) with the two screws (HH) in the mounting bracket (A). Push up to engage the slots and turn clockwise to lock in place.
- Firmly tighten the two mounting screws (GG).
- Install the two canopy screws (HH) (saved from Assembly Step 1 “Preparing for mounting”) into the holes in the canopy (C) and tighten firmly.
- Install the decorative canopy ring (II) by aligning the ring’s slots with the screws in the canopy (C). Rotate the ring clockwise to lock in place.



Assembly - Hanging the Fan (continued)

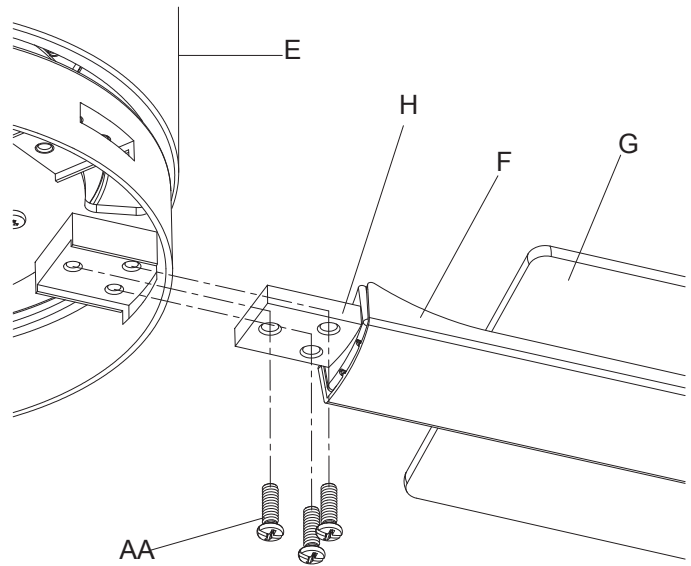
6 Attaching the fan blades to blade arms

- Attach a blade arm (H) to a blade (G) by aligning three screw holes in the blade arm (H) with screw holes in the blade (G) and secure with screws (CC) provided.
- Attach a blade decorative bar (F) to the blade (G) by aligning six screw holes on the blade (G) with the screw holes on the blade decorative bar (F), secure with screws (DD) provided; Repeat for the remaining blades.



7 Attaching the blade assembly to flywheel

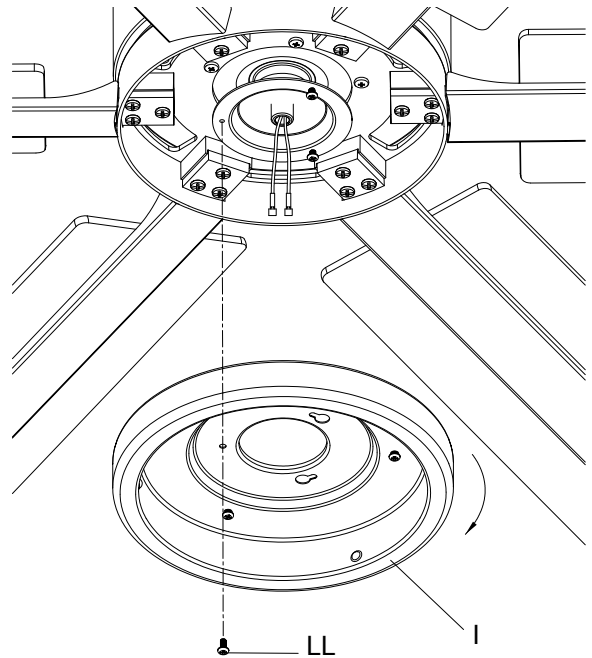
- Insert a blade assembly to the slot cut off in the centre flywheel, align the three screws holes in the blade assembly with the screw holes in the flywheel and secure with the screws (AA) provided. Repeat for the remaining blade assemblies.



Assembly - Attaching the Accessories

1 Installing the light kit pan

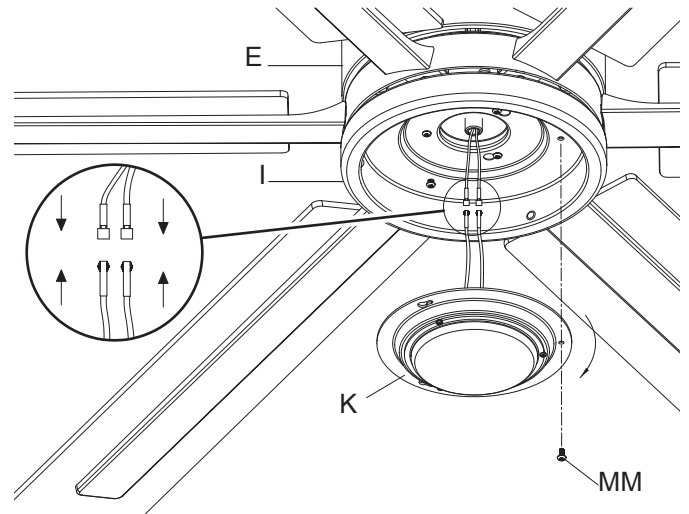
- Loosen but do not remove two of three mounting screws from the fan motor assembly (E); Remove one mounting screw (LL).
- Push the light kit pan (I) up to the fan motor assembly (E) so that two loosened screw heads fit into the keyhole slots. Turn the light kit pan (I) clockwise, tighten the screws.
- Re-install the screw (LL) that was removed in first step and tighten firmly.



Assembly - Attaching the Accessories (continued)

2 Attaching the light kit fitter assembly

- Remove one screw (MM) from the light kit pan (I), and loosen, but do not remove the other two screws.
- Connect the wires from the light kit fitter assembly (K) to the wires from the fan motor assembly (E) by connecting the molded adaptor plugs together. Carefully tuck all wires and splices into the switch cup.
- Push the light kit fitter assembly (K) up to the light kit pan (I) so that the two loosened screw heads fit into the keyhole slots. Turn the light kit fitter assembly (K) clockwise to secure.
- Re-install the screw that was removed in the first step.
- Make sure all the screws are firmly tightened.

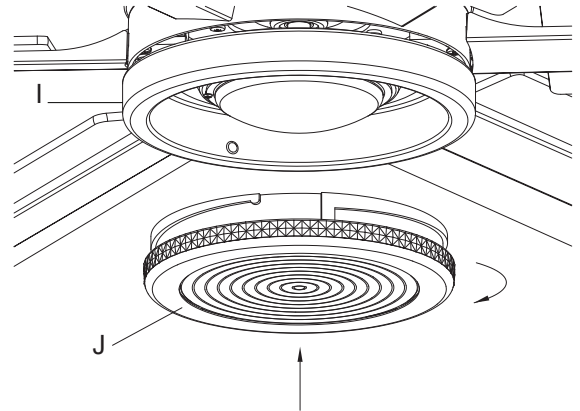


3 Installing the shade



WARNING: Do not overtighten when installing the shade into the light kit. Allow the shade to cool completely before removing.

- Place the glass shade (J) into the light kit pan (I), aligning the three flat areas in the top of the glass shade (J) with the three raised dimples in the light kit pan (I). Turn the glass shade clockwise until it stops.



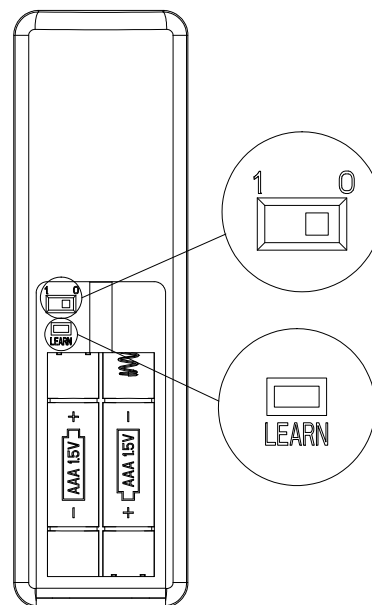
Preparing the Remote Control

Pairing the Remote Control



NOTE: The remote control has already been paired to the ceiling fan for your convenience. If you have two of the same model fans in your home, please follow the steps below to control each fan independently.

- Remove the remote control battery cover by pressing firmly on the arrow and sliding the cover off.
- Install two 1.5V AAA batteries (M).
- Slide the dip switch in the battery compartment to the “1” setting.
- Confirm that the power to the fan is off at either the wall switch or breaker box.
- Return power to the fan at the wall switch or breaker box.
- Press and release the “Learn” button located in the remote’s battery compartment within 30 seconds.
- If pairing is successful, the fan’s light kit will flash and the blades will begin to spin.
- Replace the battery cover on the remote control.



Operation

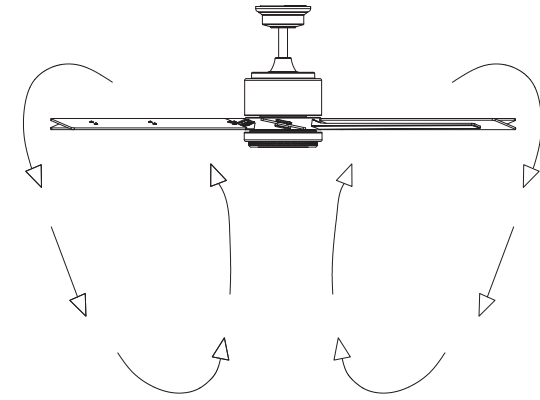
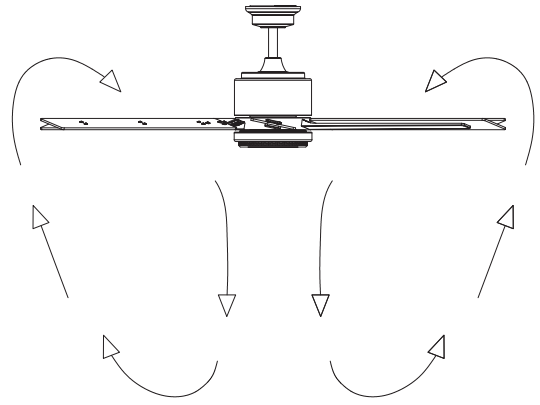
Remote control-

Your fan is equipped with a remote control to operate the speed, direction, and light for your new ceiling fan.

Speed setting for warm or cool weather depends on factors such as the room size, ceiling height, number of fans and so on.


Warm weather - (Forward) A downward airflow creates a cooling effect. This allows you to set your air conditioner on a warmer setting without affecting your comfort.

Cool weather - (Reverse) An upward airflow moves warm air off of the ceiling. This allows you to set your heating unit on a cooler setting without affecting your comfort.



Operating your fan and remote control

 **Power ON/OFF:** Press and release the power button to turn the fan and light on or off.

 **Fan speed:** LEDs on the fan speed button will illuminate to the corresponding speed.

Press and release 1 time: turns the fan on high speed.

Press and release 2 times: turns the fan on medium speed.

Press and release 3 times: turns the fan on low speed.

Press and release 4 times: turns the fan off.

Light ON/OFF

Press and release the button to turn the light on or off.

Press and hold the button to activate the dimmer function.

Correlated Color Temperature (CCT) changing

 **NOTE:** The ceiling fan light default temperature is 3000K (Soft White).


Push and release the button to cycle through the three color temperature options.

Option 1 - 2700K (Warm White)

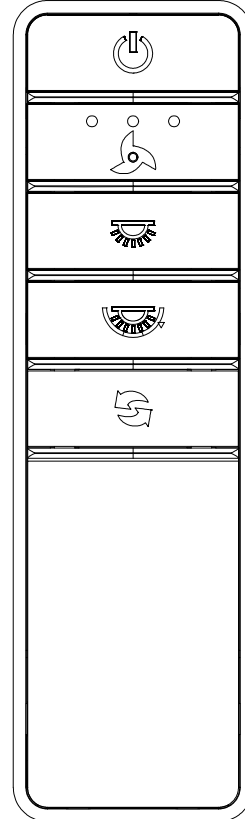
Option 2 - 3000K (Soft White)

Option 3 - 5000K (Daylight)

Reverse

 **NOTE:** The fan must be on and moving before pressing the reverse button. The fan will not reverse direction if the fan is not moving.

Press and release the button to reverse the direction of the fan's rotation.



Care and Cleaning



WARNING: Make sure the power is off before cleaning your fan.

- Because of the fan's natural movement, some connections may become loose. Check the support connections, brackets, and blade attachments twice a year. Make sure they are secure. It is not necessary to remove the fan from the ceiling.
- Clean your fan periodically to help maintain its new appearance over the years. Do not use water when cleaning, as this could damage the motor, or the wood, or possibly cause an electrical shock. Use only a soft brush or lint-free cloth to avoid scratching the finish.
- You can apply a light coat of furniture polish to the wood for additional protection and enhanced beauty. Cover small scratches with a light application of shoe polish.
- You do not need to oil your fan. The motor has permanently-lubricated sealed ball bearings.

Troubleshooting

Problem	Solution
The fan will not start.	<ul style="list-style-type: none"><input type="checkbox"/> Check the main and branch circuit fuses or breakers.<input type="checkbox"/> Check the line wire connections to the fan and switch wire connections in the switch housing.<input type="checkbox"/> Check the battery in the remote control.<input type="checkbox"/> Ensure you are in the normal range of 10-20 feet.<input type="checkbox"/> Remember to turn off the power supply before checking the dip switch settings.
The fan is noisy.	<ul style="list-style-type: none"><input type="checkbox"/> Ensure all motor housing screws are snug.<input type="checkbox"/> Ensure the screws that attach the fan blade bracket to the motor hub are tight.<input type="checkbox"/> Ensure the wire nut connections are not rattling against each other or the interior wall of the switch housing.<input type="checkbox"/> Allow a 24-hour "breaking in" period. Most noises associated with a new fan disappear during this time.<input type="checkbox"/> If you are using the Ceiling Fan light kit, ensure the screws securing the glassware are tight. Check that the light bulbs are also secure.<input type="checkbox"/> Ensure the canopy is a short distance from the ceiling. It should not touch the ceiling.<input type="checkbox"/> Ensure your outlet box is secure and rubber isolator pads were used between the mounting plate and outlet box.
The fan wobbles.	<ul style="list-style-type: none"><input type="checkbox"/> Check that all blade and blade arm screws are secure.<input type="checkbox"/> Most fan wobble problems are caused when blade levels are unequal. Check this level by selecting a point on the ceiling above the tip of one of the blades. Measure from a point on the center of the blade to the point on the ceiling. Rotate the fan until the next blade is positioned for measurement, and measure from the same point on each blade to the ceiling. Repeat for each blade. Any measurement deviation should be within 1/8 in. Run the fan for ten minutes. If the fan continues to wobble please contact Customer Service and a balancing kit will be sent to you at no charge.

This equipment has been tested and found to comply with the limits for a Class B digital device, pursuant to Part 15 of the FCC Rules. These limits are designed to provide reasonable protection against harmful interference in a residential installation. This equipment generates, uses and can radiate radio frequency energy and, if not installed and used in accordance with the instructions, may cause harmful interference to radio communications. However, there is no guarantee that interference will not occur in a particular installation. If this equipment does cause harmful interference to radio or television reception, which can be determined by turning the equipment off and on, the user is encouraged to try to correct the interference by one or more of the following measures:

- Reorient or relocate the receiving antenna.
- Increase the separation between the equipment and receiver.
- Connect the equipment into an outlet on a circuit different from that to which the receiver is connected.
- Consult the dealer or an experienced radio/TV technician for help.

CAUTION:

Any changes or modifications not expressly approved by the grantee of this device could void the user's authority to operate the equipment.

This device complies with Part 15 of the FCC Rules. Operation is subject to the following two conditions: (1) This device may not cause harmful interference, and (2) this device must accept any interference received, including interference that may cause undesired operation.

HOME DECORATORS COLLECTION

Questions, problems, missing parts? Before returning to the store,
call Home Depot Customer Service
8 a.m. - 7 p.m., EST, Monday-Friday, 9 a.m. - 6 p.m., EST, Saturday.

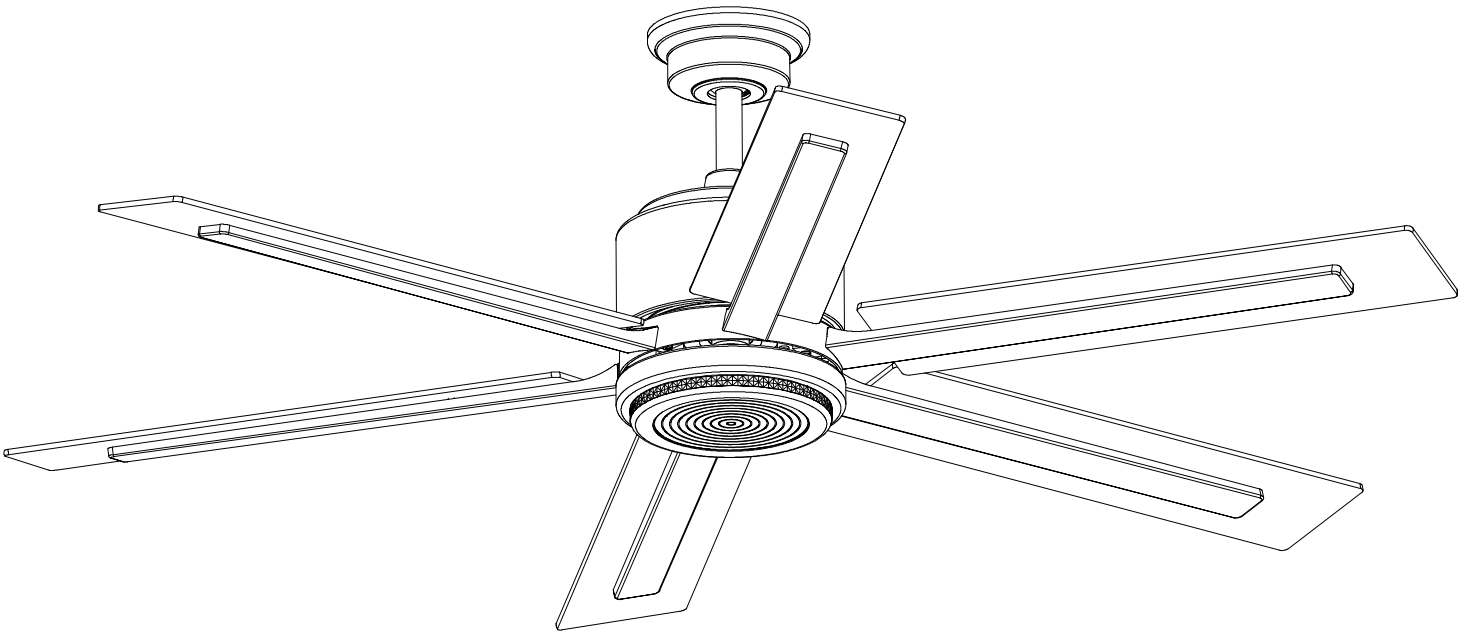
1-800-986-3460

HOMEDEPOT.COM/HOMEDECORATORS

Retain this manual for future use.

GUÍA DE USO Y CUIDADO

VENTILADOR DE TECHO DE 60 PULGADAS PALERMO GROVE



¿Tiene preguntas o problemas, o le faltan piezas? Antes de devolver a la tienda,
llame a Atención al Cliente de Home Decorators Collection
Lunes a viernes de 8:00 a.m. a 7:00 p.m., EST, y los sábados de 9:00 a.m. a 6:00 p.m., EST.

1-800-986-3460

HOMEDEPOT.COM/HOMEDECORATORS

GRACIAS

Apreciamos la confianza depositada en Home Decorators Collection al comprar este ventilador de techo. Nos esforzamos continuamente para crear productos de calidad diseñados para mejorar su hogar. Visítenos en línea para ver nuestra línea completa de productos disponibles para sus necesidades de mejoramiento del hogar. ¡Gracias por elegir Home Decorators Collection!

Índice

Índice	2	Ensamblaje.....	7
Información de seguridad.....	2	Funcionamiento	13
Garantía	3	Cuidado y limpieza	15
Antes de la instalación.....	3	Resolución de problemas	15
Instalación.....	6		

Información de seguridad

LEA Y GUARDE ESTAS INSTRUCCIONES.

1. Para reducir el riesgo de descarga eléctrica, asegúrese de que se haya cortado la electricidad en la caja de fusibles o el disyuntor antes de comenzar.
2. El cableado debe estar instalado en conformidad con el Código Eléctrico Nacional ANSI/NFPA 70 y los códigos eléctricos locales. Un electricista certificado y autorizado debe realizar toda la instalación eléctrica.
3. La caja del tomacorriente y la estructura de soporte se deben montar de forma segura; además, deben ser capaces de soportar como mínimo 35 lb (15.9 kg). Solo debe usar cajas de tomacorriente con certificación UL con la etiqueta "Aceptable para soporte de ventilador de 35 lb (15.9 kg) o menos".
4. El ventilador se debe montar con un espacio mínimo de 7 pies (2.1 m) desde el borde posterior de las aspas hasta el piso.
5. No coloque objetos en el recorrido de las aspas.
6. Para evitar lesiones o daños en el ventilador u otros artículos, tenga cuidado cuando trabaje cerca del ventilador o lo limpie.
7. Luego de realizar las conexiones eléctricas, los conductores empalmados se deben girar hacia arriba y empujar cuidadosamente adentro de la caja del tomacorriente. Los cables deben estar separados, con el cable a tierra y el conductor a tierra del equipo hacia uno de los lados de la caja eléctrica y el conductor sin conexión a tierra hacia el lado opuesto.
8. Se deben verificar todos los tornillos y volver a ajustarlos según sea necesario antes de la instalación.



ADVERTENCIA: Para reducir el riesgo de lesiones, no doble los soportes de las aspas (que también se denominan bridas) durante el ensamblaje o después de la instalación. No coloque objetos en el recorrido de las aspas.



ADVERTENCIA: Para reducir el riesgo de incendio o descarga eléctrica, no use este ventilador con ningún dispositivo de control de velocidad de estado sólido.



ADVERTENCIA: Para evitar posibles descargas eléctricas, corte la electricidad en la caja de fusibles principal antes de realizar el cableado. Si considera que no posee suficientes conocimientos o experiencia de cableado eléctrico, comuníquese con un electricista autorizado.



ADVERTENCIA: Para reducir el riesgo de incendio, descarga eléctrica o lesión, monte el ventilador en una caja de tomacorriente que tenga la etiqueta "Aceptable para soporte de ventilador de 35 lb (15.9 kg) o menos" y use los tornillos incluidos con la caja del tomacorriente.



ADVERTENCIA: Los diagramas eléctricos se incluyen solo como referencia. Si usa un juego de lámparas, consulte el manual de instrucciones del juego de lámparas para realizar las conexiones eléctricas. Si usa un juego de lámparas opcional, este debe contar con certificación UL y una etiqueta donde se especifique que es adecuado para este ventilador.



ADVERTENCIA: Para reducir el riesgo de incendio o descarga eléctrica, este producto se debe usar únicamente con la pieza de control de velocidad de ventilador n.º MDF40S-H04R, fabricada por Dawnsun Electronic Technology Co., Ltd. Zhongshan.



ADVERTENCIA: Para reducir el riesgo de descarga eléctrica, se debe instalar el ventilador con un interruptor de pared aislador.



PRECAUCIÓN: Para reducir el riesgo de lesiones, use únicamente los tornillos incluidos con la caja del tomacorriente.



PRECAUCIÓN: NO use este ventilador con un regulador de intensidad o control de pared. Si se usa un regulador de intensidad o un control de pared, se dañará el ventilador.



PRECAUCIÓN: Cualquier cambio o modificación no autorizada expresamente por la parte responsable del cumplimiento podría anular la autoridad del usuario para usar el equipo.

Garantía

El proveedor garantiza que el motor del ventilador estará libre de defectos de mano de obra y materiales al momento del envío desde la fábrica y de por vida a partir de la fecha en que lo adquiera el comprador original. Asimismo, el proveedor garantiza que todas las demás piezas del ventilador, excepto las aspas de vidrio o acrílico, estarán libres de defectos de mano de obra y materiales al momento del envío desde la fábrica y durante un período de dos años a partir de la fecha en que lo adquiera el comprador original. Si se devuelve el producto, aceptamos corregir estos defectos sin costo o, según nuestro criterio, reemplazar el artículo por un modelo comparable o superior. Para obtener el servicio de garantía, debe presentar una copia del recibo como comprobante de compra. Usted debe encargarse de todos los costos de desmontar el producto y volver a instalarlo. Esta garantía no cubre daños en las piezas que sean resultado de accidentes, uso incorrecto, instalación incorrecta o colocación de cualquier accesorio. Debido a las condiciones variables del clima, esta garantía no cubre cambios en el acabado de latón, incluida la herrumbre, picaduras, corrosión, pérdida del lustre o descamación. Este tipo de acabado de latón tendrá una vida útil más extensa si se protege de las condiciones variables del clima. Un cierto "bamboleo" es normal y no se considerará un defecto. Si una persona no autorizada repara este artículo, se anulará la garantía. No existe otra garantía expresa. Por la presente, Home Decorators Collection renuncia a todas las garantías, incluidas, entre otras, las garantías de comerciabilidad o idoneidad para un propósito determinado, en la medida en que las leyes lo permitan. La duración de cualquier garantía implícita a la que no se puede renunciar se limita al período que se especifica en la garantía expresa. Algunos estados no permiten la limitación en la duración de una garantía implícita, de manera que la limitación anterior podría no aplicarse a su caso. La tienda minorista no será responsable por daños incidentales, consecuentes o especiales que surjan o estén relacionados con el uso o el desempeño del producto, excepto que la ley estipule lo contrario. Algunos estados no permiten la exclusión o limitación de los daños incidentales o consecuentes, de manera que la limitación anterior podría no aplicarse a su caso. Esta garantía le brinda derechos legales específicos y quizás usted tenga otros derechos que varían según el estado. Esta garantía reemplaza a todas las garantías anteriores. El cliente debe pagar los costos de envío de cualquier devolución del producto que forme parte de un reclamo de la garantía.

Comuníquese con el Equipo de Atención al Cliente al 1-800-986-3460 o visite www.HomeDepot.com/homedecorators.

Antes de la instalación

ESPECIFICACIONES

Tamaño	Velocidad	Voltaje	Consumo de potencia del ventilador (sin luces) VATIOS	Flujo de aire CFM	Eficiencia del flujo de aire (cuanto más alto, mayor eficiencia) CFM/VATIO	Peso neto	Peso bruto	Pies cúbicos
60 pulgadas	Baja	120	11	4500	409	22.93 lb (10.4 kg)	26.46 lb (12 kg)	2.197 pies cúbicos
	Media		19	5856	308			
	Alta		35	6978	199			



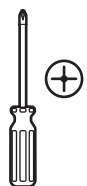
NOTA: Estas son medidas aproximadas. No incluyen el amperaje ni el vataje que usa el juego de lámparas.



Intertek

Antes de la instalación (continuación)

HERRAMIENTAS REQUERIDAS



Phillips
Destornillador



Destornillador
plano



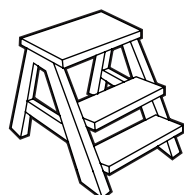
Llave
ajustable



Cinta
eléctrica



Cortador
de cables/
alicate
pelacables

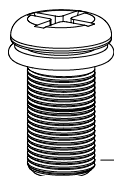


Escalera de mano

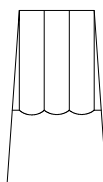
HERRAJE INCLUIDO



NOTA: El herraje no se muestra en su tamaño real.



AA



BB



CC



DD



EE

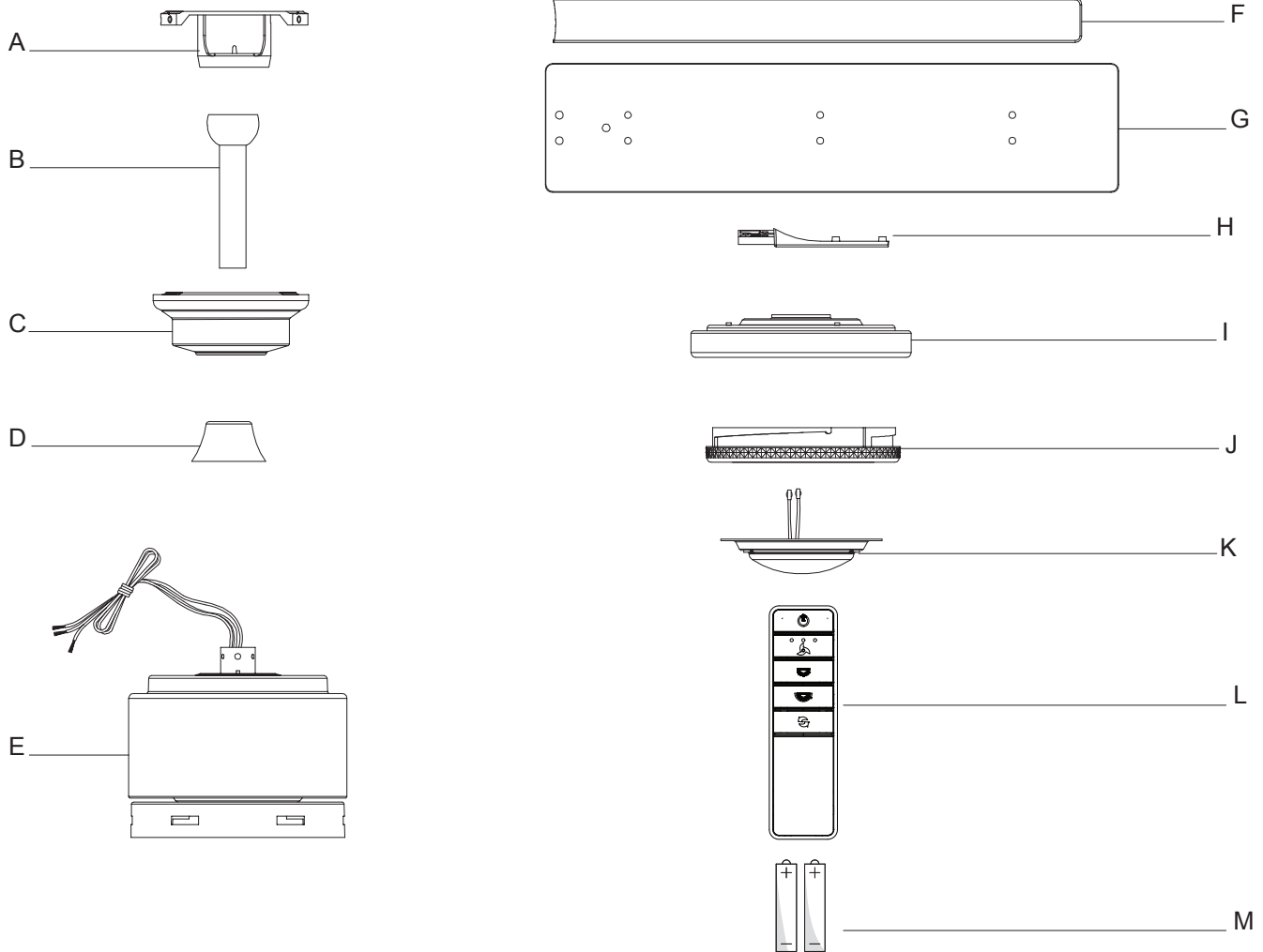


FF

Pieza	Descripción	Cantidad
AA	Tornillos del soporte del aspa	19
BB	Tuerca plástica de conexión de cables	3
CC	Tornillos de sujeción del aspa	19
DD	Tornillos de sujeción de la barra decorativa del aspa	37
EE	Pasador del soporte colgante	1
FF	Pasador de bloqueo	1

Antes de la instalación (continuación)

CONTENIDO DEL PAQUETE



Pieza	Descripción	Cantidad
A	Soporte de montaje (dentro de la cubierta)	1
B	Conjunto de bola/varilla de bajada	1
C	Cubierta con anillo de cubierta incluido	1
D	Cubierta decorativa del collarín del motor	1
E	Conjunto del motor del ventilador	1

Pieza	Descripción	Cantidad
F	Barra decorativa del aspa	6
G	Aspa	6
H	Brazos de las aspas	6
I	Cuenco del juego de lámparas	1
J	Pantalla de vidrio	1
K	Conjunto del juego de lámparas	1
L	Transmisor	1
M	Batería	2



IMPORTANTE: Este producto y sus componentes se rigen por las siguientes patentes de los Estados Unidos: 5,947,436; 5,988,580; 6,010,110; 6,046,416, 6,210,117 y otras patentes pendientes.

OPCIONES DE MONTAJE

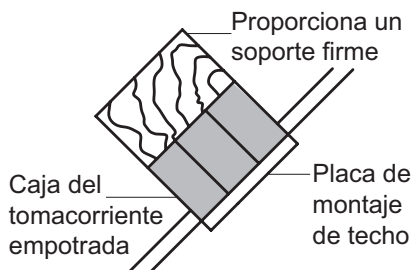
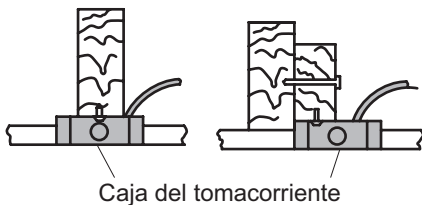
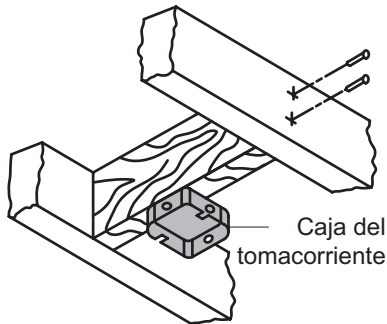


ADVERTENCIA: Para reducir el riesgo de incendio, descarga eléctrica o lesión, monte el ventilador en una caja de tomacorriente que tenga la etiqueta "Aceptable para soporte de ventilador de 35 lb (15.9 kg) o menos" y use los tornillos incluidos con la caja del tomacorriente. Es posible que una caja de tomacorriente que se suele usar como soporte para las lámparas no sea aceptable como soporte de ventilador y deba reemplazarse. Si tiene dudas, consulte a un electricista calificado.

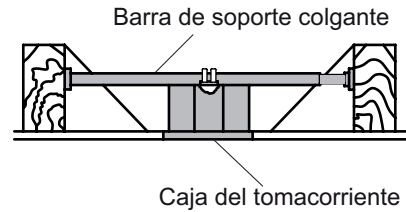
Si su ventilador de techo no tiene una caja de montaje de certificación UL, debe instalar una. Para ello, siga las instrucciones a continuación:

- Quite los fusibles o apague los disyuntores para cortar la alimentación.
- Fije la caja del tomacorriente directamente a la estructura del edificio. Use los elementos de fijación y materiales adecuados. La caja del tomacorriente y la estructura de soporte se deben montar de forma segura; además, deben ser capaces de soportar como mínimo 35 lb (15.9 kg). Solo debe usar cajas de tomacorriente con certificación UL con la etiqueta "Aceptable para soporte de ventilador de 35 lb (15.9 kg) o menos". No use una caja de tomacorriente plástica.

Las siguientes ilustraciones muestran tres maneras diferentes de montar la caja del tomacorriente.



NOTA: Si instala el ventilador en un techo alto e inclinado, es posible que necesite una varilla de bajada más larga para garantizar que las aspas tengan un espacio libre adecuado. El ángulo máximo permitido es 30° desde la línea horizontal.



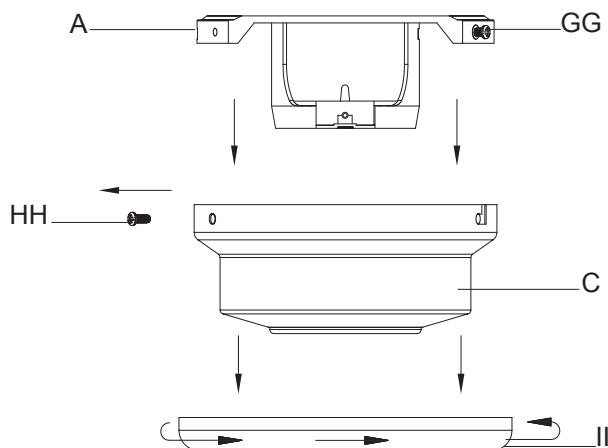
Si la cubierta toca la varilla de bajada, quite la funda inferior de la cubierta decorativa; luego gire 180° la cubierta antes de fijarla a la placa de montaje.

Si quiere instalar un ventilador en un lugar en el cual hay una lámpara, pero no hay una viga de techo, es posible que necesite una barra de soporte colgante para la instalación, como se muestra arriba (se encuentran disponibles en todas las tiendas de Home Depot).

Ensamblaje: Montaje de techo estándar

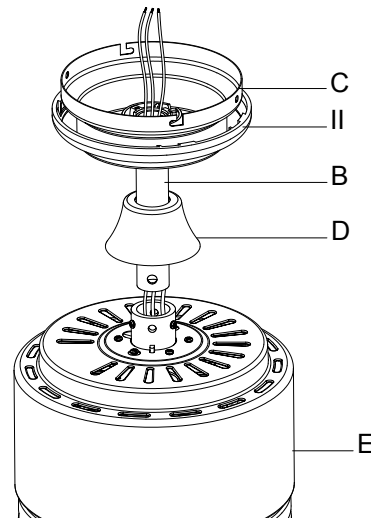
1 Cómo preparar el montaje

- Quite el anillo (II) de la cubierta (C). Para ello, gire el anillo (II) hacia la izquierda hasta que se libere.
- Quite el soporte de montaje (A) de la cubierta (C). Para ello, afloje los dos tornillos de la cubierta (GG) que se encuentran en las ranuras con "forma de L".
- Quite los dos tornillos de la cubierta (HH) que están en los orificios redondos y guárdelos. Esto le permitirá quitar el soporte de montaje (A).



2 Cómo pasar los cables

- Pase los cables que salen por la parte superior del conjunto del motor del ventilador (E), a través del centro del anillo de la cubierta (II). Asegúrese de que las ranuras del anillo de la cubierta (II) estén en la parte superior.
- Inserte la bola/varilla de bajada (B) en la cubierta (C) y deslice la cubierta decorativa del collarín del motor (D) hacia el extremo de la bola/varilla de bajada (B). Asegúrese de que las ranuras de la cubierta (C) estén en la parte superior. Pase los cables que salen por la parte superior del conjunto del motor del ventilador (E) a través de la varilla de bajada (B) como se muestra.

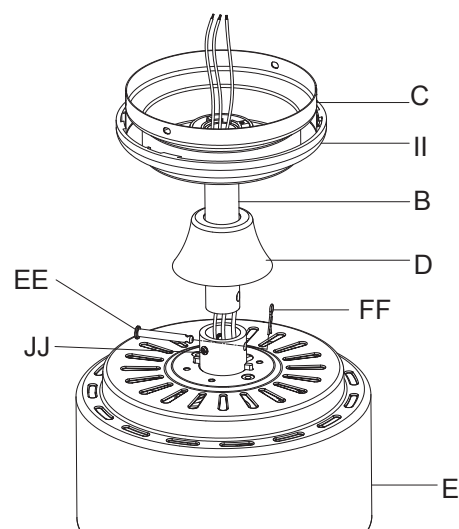


3 Cómo ensamblar el ventilador



ADVERTENCIA: Si no se instala adecuadamente el pasador de bloqueo (FF), el ventilador podría aflojarse y caer.

- Afloje los tornillos de fijación (JJ) del collarín de la parte superior del conjunto del motor del ventilador (E), pero no los quite.
- Alinee los orificios de la parte inferior del conjunto de bola/varilla de bajada (B) con los orificios del collarín de la parte superior del conjunto del motor del ventilador (E).
- Inserte con cuidado el pasador del soporte colgante (EE) por los orificios del collarín y el conjunto de bola/varilla de bajada (B). Tenga cuidado de no atascar el pasador del soporte colgante (EE) con los cables del interior del conjunto de bola/varilla de bajada (B).
- Inserte el pasador de bloqueo (FF) por el orificio que está cerca del extremo del pasador del soporte colgante (EE) hasta que se encaje en la posición de bloqueo.
- Vuelva a apretar los tornillos de fijación (JJ) del collarín de la parte superior del conjunto del motor del ventilador (E).



Ensamblaje: Cómo instalar el ventilador

1 Cómo fijar el ventilador a la caja eléctrica

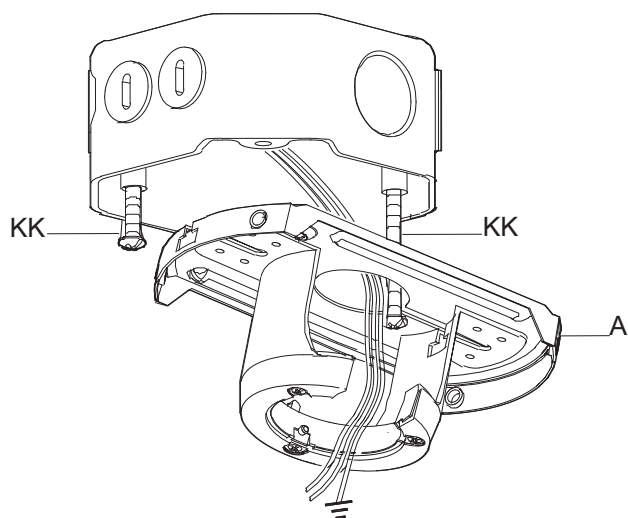


ADVERTENCIA: Para reducir el riesgo de incendio, descarga eléctrica o lesión, monte el ventilador en una caja de tomacorriente que tenga la etiqueta "Aceptable para soporte de ventilador de 35 lb (15.9 kg) o menos" y use los tornillos incluidos con la caja del tomacorriente.



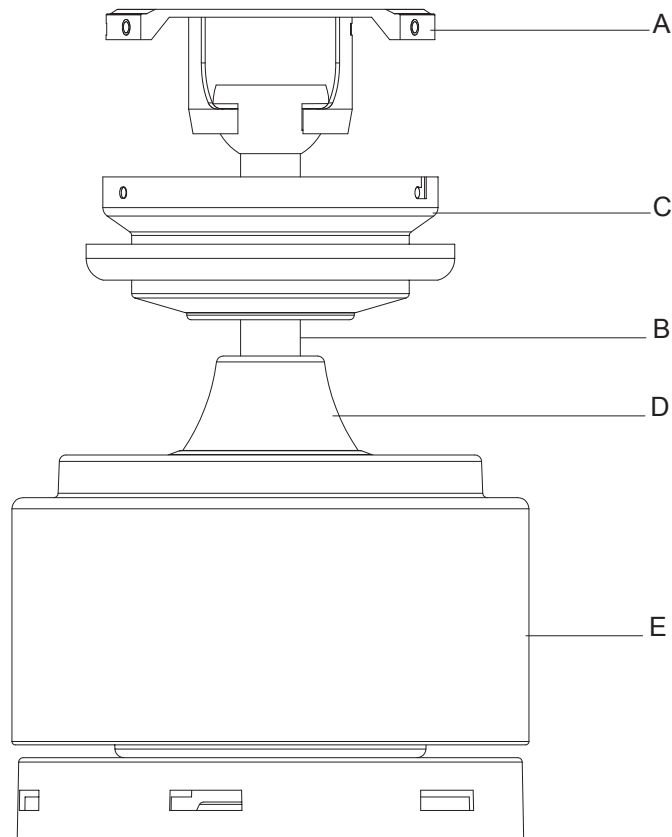
NOTA: El soporte de montaje (A) está diseñado para deslizarse en una caja de tomacorriente con los tornillos para la caja del tomacorriente (KK) instalados.

- Afloje los dos tornillos de montaje (KK) en la caja del tomacorriente.
- Pase los cables de alimentación de 120 voltios por el orificio central del soporte de montaje (A).
- Instale el soporte de montaje deslizante (A) en la caja del tomacorriente. Para ello, deslice el soporte de montaje deslizante (A) sobre los dos tornillos (KK) incluidos con la caja del tomacorriente. Si es necesario, use arandelas de nivelación (no incluidas) entre el soporte de montaje deslizante (A) y la caja del tomacorriente. El lado plano del soporte de montaje deslizante (A) debe quedar orientado hacia la caja del tomacorriente, como se muestra.
- Apriete firmemente los dos tornillos en la caja eléctrica.



2 Cómo instalar el ventilador

- Levante con cuidado el conjunto del motor del ventilador (E) hasta el soporte de montaje deslizante (A).
- Inserte la bola del conjunto de bola/varilla de bajada (B) en la ranura del soporte de montaje deslizante (A).
- Gire el conjunto de bola/varilla de bajada (B) hacia la derecha hasta que la lengüeta del soporte de montaje deslizante (A) se alinee con la ranura de la bola.



Ensamblaje: Cómo instalar el ventilador (continuación)

3 Conexiones eléctricas



ADVERTENCIA: Todos las tuercas de conexión de cables incluidas con este ventilador se diseñaron para admitir un cable de la conexión de la casa (calibre 12 máximo) y dos cables del ventilador. Si los cables de la conexión de la casa tienen un calibre mayor que 12 o hay más de un cable de la conexión de la casa al cableado del ventilador, consulte a un electricista para determinar cuál es el tamaño apropiado de la tuerca de conexión que debe usar.



IMPORTANTE: Use las tuercas plásticas de conexión de cables (BB) incluidas con el ventilador. Asegure los conectores con cinta eléctrica y cerciórese de que no haya conexiones o hilos sueltos.

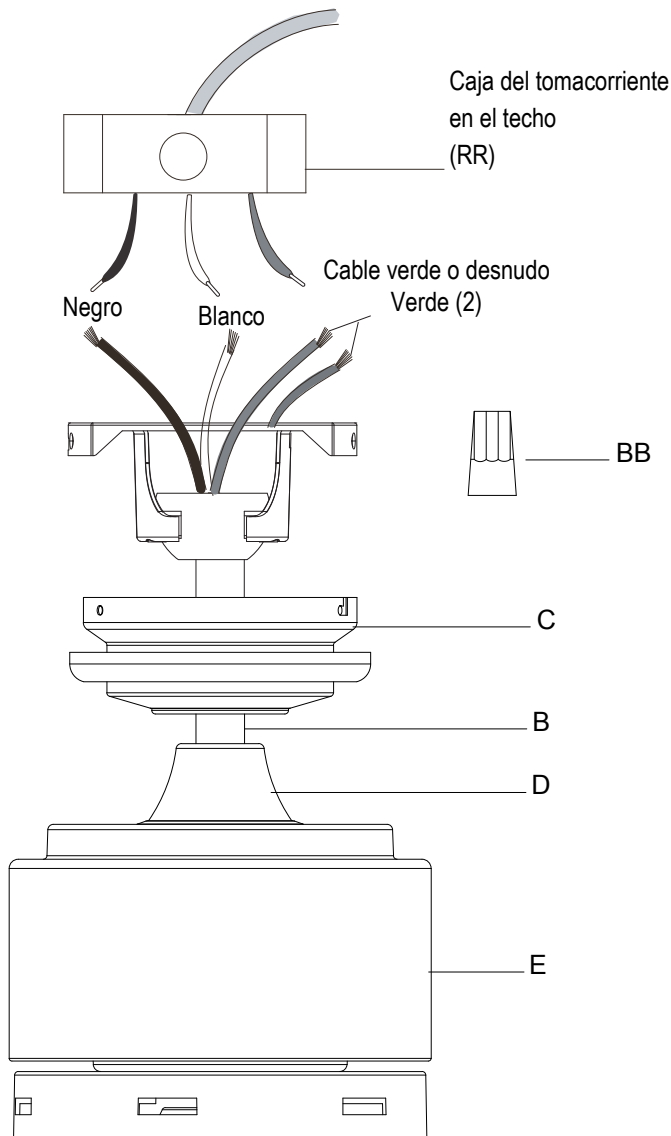


NOTA: El ventilador incluye cables de 80 pulgadas para permitir el uso con un conjunto extendido de bola/varilla de bajada. Si usa el conjunto de bola/varilla de bajada de 6 pulgadas (B) incluido, puede cortar los cables para lograr la longitud deseada (no debe ser menor que 12 pulgadas).



NOTA: Se deben instalar las aspas antes de intentar poner en funcionamiento el ventilador. Si no se instalan las aspas, el motor no funcionará adecuadamente.

- El ventilador incluye cables de 80 pulgadas para permitir el uso con un conjunto extendido de bola/varilla de bajada. Si usa el conjunto de bola/varilla de bajada de 6 pulgadas (B) incluido, puede cortar los cables para lograr la longitud deseada (no debe ser menor que 12 pulgadas). De esta manera, tendrá más espacio en la cubierta (C). Si no desea cortar los cables, deberá enrollarlos en forma ordenada.
- Conecte los cables verdes del ventilador al cable verde o de cobre desnudo de la conexión de la casa con una tuerca de conexión de cables (BB).
- Conecte los cables blancos del motor del ventilador al cable blanco de la conexión de la casa con una tuerca de conexión de cables (BB).
- Conecte los cables negros del motor del ventilador al cable negro de la conexión de la casa con una tuerca de conexión de cables (BB).
- Asegure todas las tuercas de conexión de cables con cinta eléctrica.
- Gire la tuerca de conexión de cables (BB) hacia arriba y coloque el cableado en la caja del tomacorriente.



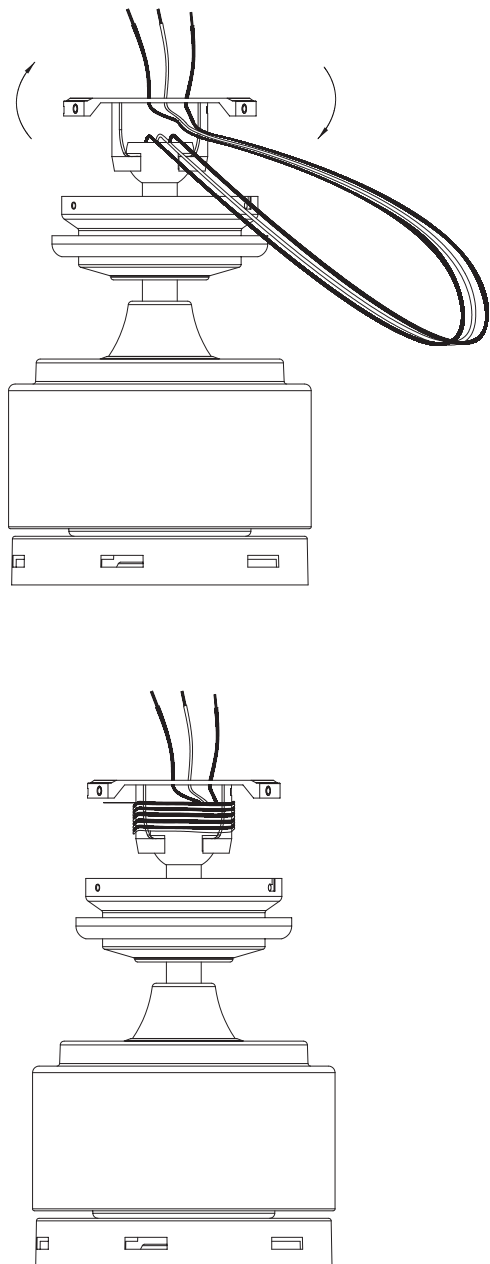
Ensamblaje: Cómo instalar el ventilador (continuación)

4 Cómo enrollar el exceso de cables



NOTA: Debe seguir este paso ÚNICAMENTE si no cortó el exceso de los cables del ventilador de techo.

- Enrolle ordenadamente el exceso de cables alrededor del soporte de montaje.
- Asegúrelo con cinta eléctrica.



5 Cómo montar el conjunto del motor del ventilador (montaje estándar)

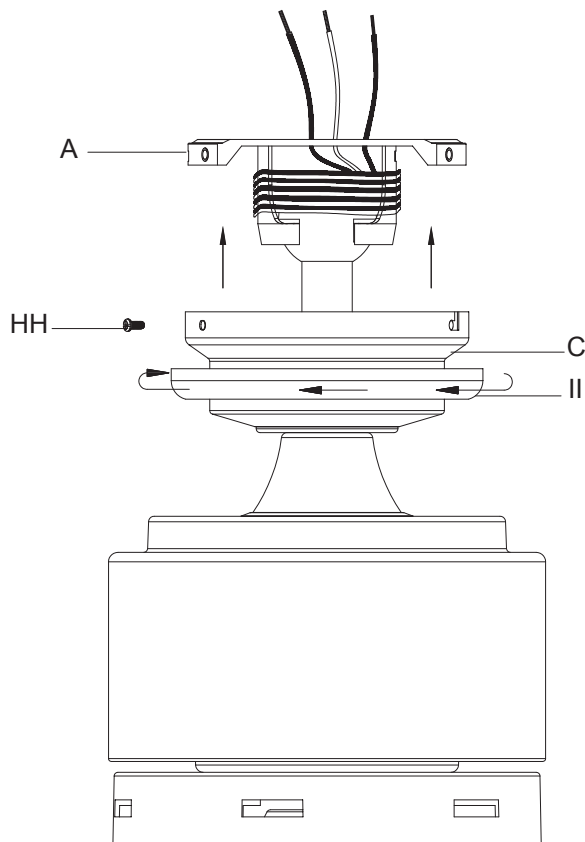


ADVERTENCIA: Si usa el montaje estándar de bola/varilla de bajada, la lengüeta del anillo que está en la parte inferior del soporte de montaje debe colocarse en la ranura de la bola del soporte colgante. Si no coloca adecuadamente la lengüeta en la ranura, se puede dañar el cableado.



ADVERTENCIA: Las ranuras de bloqueo de la cubierta de techo solo sirven como ayuda para el montaje. No deje el conjunto del motor sin supervisión hasta que coloque y apriete firmemente los cuatro tornillos de la cubierta.

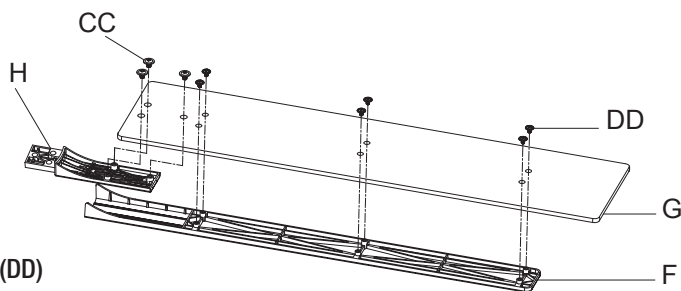
- Alinee las ranuras de bloqueo de la cubierta (C) con los dos tornillos (HH) del soporte de montaje (A). Empuje hacia arriba para encajar los tornillos en las ranuras y gire hacia la derecha para fijar la cubierta en su lugar.
- Apriete firmemente los dos tornillos de montaje (GG).
- Coloque los dos tornillos de la cubierta (HH) (los que guardó en el paso 1 de Ensamblaje: "Cómo preparar el montaje") en los orificios de la cubierta (C) y apriételos firmemente.
- Instale el anillo decorativo de la cubierta (II). Para ello, alinee las ranuras del anillo con los tornillos de la cubierta (C). Gire el anillo hacia la derecha para fijarlo en su lugar.



Ensamblaje: Cómo instalar el ventilador (continuación)

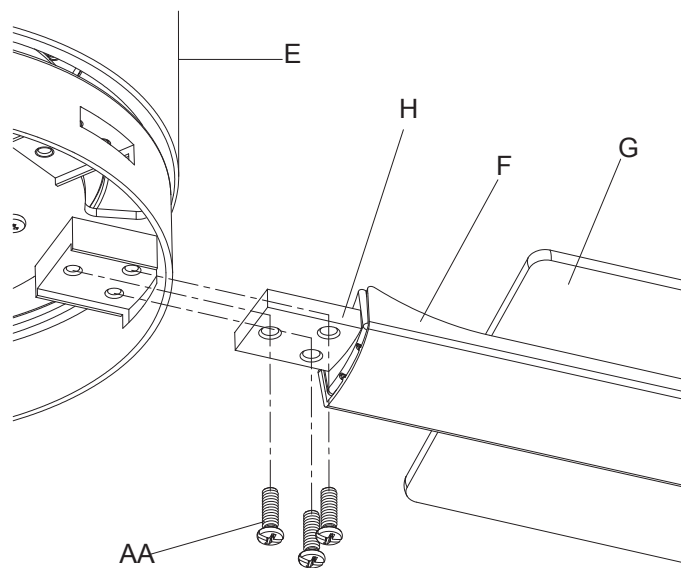
6 Cómo fijar las aspas del ventilador a los brazos de las aspas

- Fije un brazo del aspa (H) a un aspa (G). Para ello, alinee los tres orificios de los tornillos del brazo del aspa (H) con los orificios de los tornillos del aspa (G) y coloque los tornillos (CC) incluidos.
- Fije una barra decorativa del aspa (F) al aspa (G). Para ello, alinee los seis orificios de los tornillos del aspa (G) con los orificios de los tornillos del barra decorativa de aspa (F), y coloque los tornillos (DD) incluidos. Repita este proceso en las aspas restantes.



7 Cómo fijar el conjunto del aspa al volante del motor

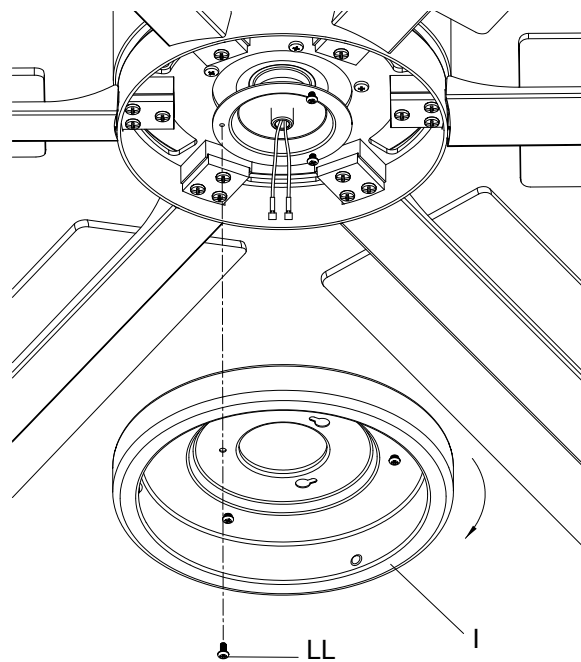
- Inserte un conjunto del aspa en la ranura cortada en el volante central del motor. Luego alinee los tres orificios para tornillos del conjunto del aspa con los orificios del volante del motor y coloque los tornillos (AA) incluidos. Repita este proceso en los conjuntos de las aspas restantes.



Ensamblaje: Cómo fijar los accesorios

1 Cómo instalar el cuenco del juego de lámparas

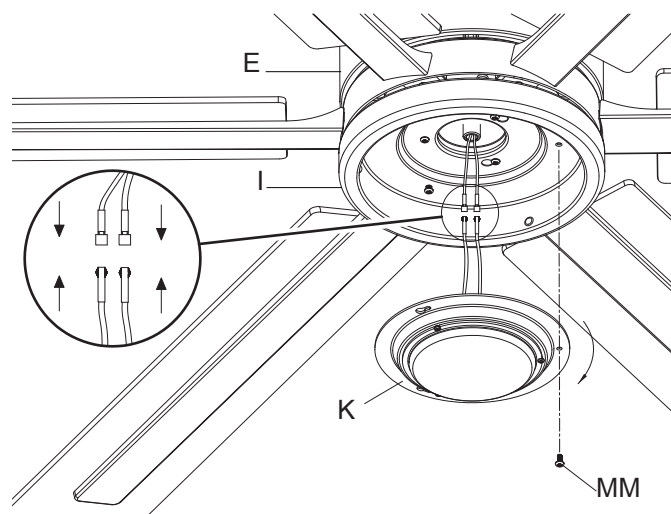
- Afloje dos de los tres tornillos de montaje del conjunto del motor del ventilador (E), pero no los quite. Quite un tornillo de montaje (LL).
- Empuje el cuenco del juego de lámparas (I) hacia el conjunto del motor del ventilador (E), de forma que las cabezas de los dos tornillos que aflojó se encajen en las ranuras. Gire el cuenco del juego de luces (I) hacia la derecha y ajuste los tornillos.
- Vuelva a colocar el tornillo (LL) que quitó en el primer paso y apriételo firmemente.



Ensamblaje: Cómo fijar los accesorios (continuación)

2 Cómo fijar el conjunto del juego de lámparas

- Quite un tornillo (MM) del cuenco del juego de lámparas (I). Luego afloje los otros dos tornillos, pero no los quite.
- Conecte los cables del conjunto del juego de lámparas (K) a los cables del conjunto del motor del ventilador (E) utilizando los enchufes de adaptador moldeados. Con cuidado, meta todos los cables y empalmes en la copa del interruptor.
- Empuje el conjunto del juego de lámparas (K) hacia el cuenco del conjunto de lámparas (I) de forma que las cabezas de los dos tornillos que aflojó encajen en las ranuras. Gire el conjunto de lámparas (K) hacia la derecha para fijarlo.
- Vuelva a colocar el tornillo que quitó en el primer paso.
- Asegúrese de que todos los tornillos estén apretados firmemente.

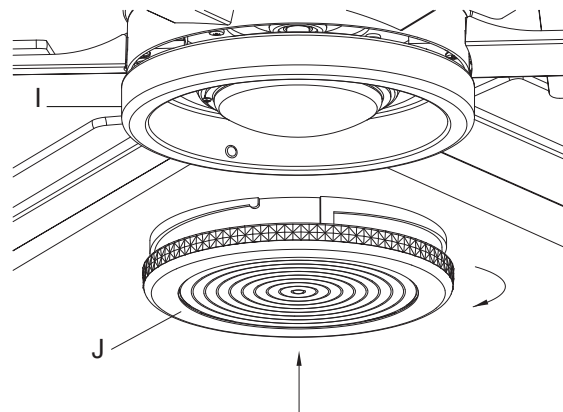


3 Cómo instalar la pantalla



ADVERTENCIA: Cuando instale la pantalla en el conjunto de lámparas, no debe apretarla demasiado. Espere a que la pantalla se enfríe por completo antes de quitarla.

- Coloque la pantalla de vidrio (J) en el cuenco del juego de lámparas (I). Para ello, alinee las tres áreas planas de la parte superior de la pantalla de vidrio (J) con las tres hendiduras elevadas del cuenco del juego de lámparas (I). Gire la pantalla de vidrio hacia la derecha hasta que se detenga.



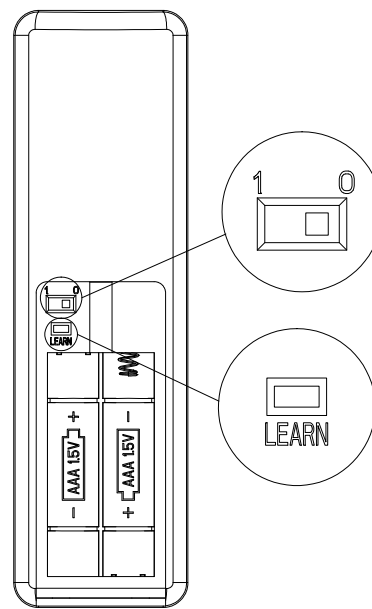
Cómo preparar el control remoto

Cómo sincronizar el control remoto



NOTA: Ya se ha sincronizado el control remoto con el ventilador de techo para su comodidad. Si en su hogar tiene dos ventiladores del mismo modelo, siga los pasos a continuación para controlar cada ventilador en forma individual.

- Quita la cubierta de la batería del control remoto presionando con firmeza en la flecha y deslizando la cubierta hasta soltarla.
- Instala dos baterías AAA de 1.5 V (M).
- Deslice el interruptor DIP del compartimento de las pilas al ajuste "1".
- Asegúrese de que se haya cortado la alimentación del ventilador desde el interruptor de la pared o el disyuntor.
- Reconecte la alimentación del ventilador desde el interruptor de la pared o el disyuntor.
- En los próximos 30 segundos, presione y suelte el botón "Learn" (Aprender) que está ubicado en el compartimento de las pilas del control remoto.
- Si se sincroniza correctamente, el conjunto de lámparas del ventilador parpadeará y las aspas comenzarán a girar.
- Coloca de nuevo la cubierta en el control remoto.



Funcionamiento

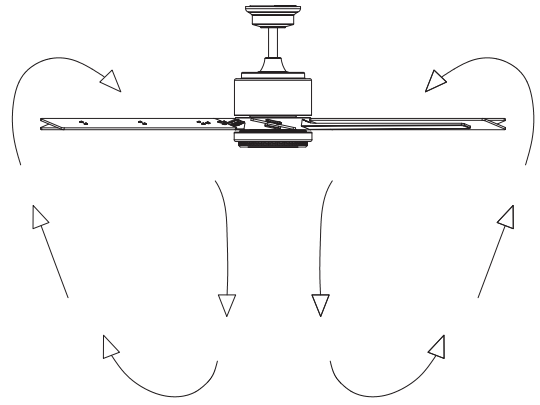
Control remoto

Se incluye un control remoto para regular la velocidad, la dirección y las luces de su nuevo ventilador de techo.

Los ajustes de velocidad para climas cálidos o fríos dependen de factores tales como el tamaño de la habitación, la altura del techo, la cantidad de ventiladores, etc.

Clima cálido (hacia adelante). Un flujo de aire descendente que genera un efecto refrescante. Esto le permite configurar un ajuste más cálido en el aire acondicionado sin afectar su confort.

Clima frío (sentido inverso). Un flujo de aire ascendente que mueve el aire cálido del techo. Esto le permite configurar un ajuste más frío en el aire acondicionado sin afectar su confort.



Funcionamiento del ventilador y el control remoto

 **ENCENDIDO/APAGADO:** Presione y suelte el botón de encendido para encender o apagar el ventilador y las lámparas.

 **Velocidad del ventilador:** Los LED del botón de velocidad del ventilador se iluminan para mostrar la velocidad seleccionada.

Presione y suelte el botón 1 vez para encender el ventilador en la velocidad alta.

Presione y suelte el botón 2 veces para encender el ventilador en la velocidad media.

Presione y suelte el botón 3 veces para encender el ventilador en la velocidad baja.


Presione y suelte el botón 4 veces para apagar el ventilador.

 **ENCENDIDO/APAGADO de las lámparas**

Presione y suelte el botón para encender o apagar las lámparas.

Mantenga presionado el botón para activar la función de regulación de intensidad.

 **Cambio de la temperatura de color correlacionada (CCT)**

 **NOTA:** La temperatura predeterminada de las lámparas del ventilador de techo es 3000 K (blanco suave).


Presione y suelte el botón para cambiar entre las tres opciones de temperatura de color.

Opción 1: 2700 K (blanco cálido)

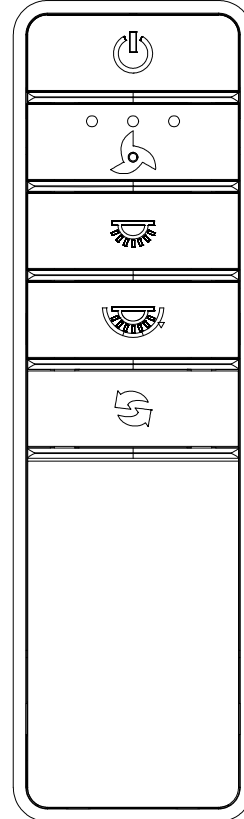
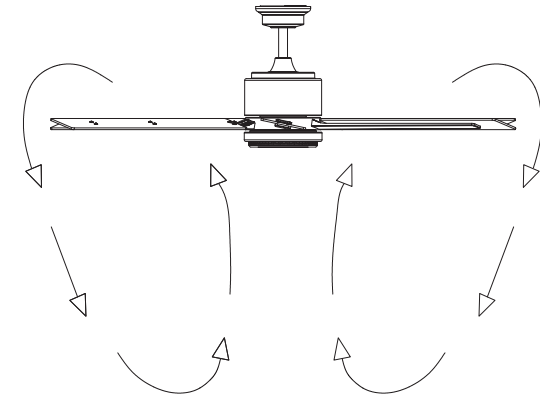
Opción 2: 3000 K (blanco suave)

Opción 3: 5000 K (luz diurna)

 **Sentido inverso**

 **NOTA:** El ventilador debe estar encendido y en movimiento antes de presionar el botón de sentido inverso de rotación. El ventilador no cambiará el sentido de rotación si no se está moviendo.

Presione y suelte el botón para invertir la dirección de rotación del ventilador.



Cuidado y limpieza



ADVERTENCIA: Asegúrese de que se haya cortado la alimentación del ventilador antes de limpiarlo.

- Algunas conexiones se pueden aflojar por el movimiento natural del ventilador. Verifique las conexiones de soporte, los soportes y los accesorios de las aspas dos veces al año. Asegúrese de que todos estos elementos estén apretados firmemente. No es necesario quitar el ventilador del techo.
- Limpie el ventilador de forma periódica para ayudar a mantener un buen aspecto con el paso del tiempo. No lo limpie con agua, ya que se podría dañar el motor o la madera, o bien se podría producir una descarga eléctrica. Únicamente debe usar un cepillo suave o un paño sin pelusa para evitar dañar el acabado.
- Puede aplicar una capa delgada de cera para muebles en la madera para protegerla y mejorar su aspecto. Cubra las pequeñas rayaduras con un poco de cera para zapatos.
- No es necesario aceitar el ventilador. El motor cuenta con rodamientos de bola sellados que están lubricados permanentemente.

Resolución de problemas

Problema	Solución
El ventilador no enciende.	<ul style="list-style-type: none">□ Verifique los fusibles o disyuntores del circuito principal y del de derivación.□ Verifique las conexiones de los cables de la línea de alimentación con el ventilador y las conexiones de los cables del interruptor en la carcasa del interruptor.□ Verifique las pilas del control remoto.□ Asegúrese de estar en el rango normal de 10 a 20 pies.□ Recuerde desconectar la fuente de alimentación antes de verificar la configuración del interruptor DIP.
El ventilador produce mucho ruido.	<ul style="list-style-type: none">□ Asegúrese de que todos los tornillos de la caja del motor estén apretados firmemente.□ Asegúrese de que los tornillos que sujetan los soportes de las aspas del ventilador al nodo del motor estén apretados firmemente.□ Asegúrese de que las tuercas de conexión de cables no se golpeen entre sí o con la pared interior de la carcasa del interruptor.□ Espere 24 horas para que el dispositivo "se asiente". La mayoría de los ruidos asociados con un ventilador nuevo desaparecen luego de este período.□ Si usa un juego de lámparas para ventilador de techo, asegúrese de que los tornillos que sujetan el vidrio estén apretados firmemente. Además, asegúrese de que todas las bombillas estén ajustadas correctamente.□ Asegúrese de que la cubierta esté a una pequeña distancia del techo. La cubierta no debe tocar el techo.□ Asegúrese de que la caja del tomacorriente esté bien sujeta y que se hayan colocado almohadillas separadoras de goma entre la placa de montaje y la caja del tomacorriente.
El ventilador oscila.	<ul style="list-style-type: none">□ Verifique que todos los tornillos de las aspas y los brazos de las aspas estén apretados firmemente.□ La mayoría de los problemas de oscilación del ventilador se producen cuando las aspas no tienen el mismo nivel. Para verificar el nivel, seleccione un punto del techo que esté sobre la punta de una de las aspas. Mida desde un punto del centro del aspa hasta el punto del techo. Gire el ventilador hasta que el aspa siguiente quede posicionada para la medición. Luego mida desde el mismo punto de cada aspa hasta el punto del techo. Repita este proceso en todas las aspas. La desviación de las mediciones debe estar en el rango de 1/8 de pulgada. Deje el ventilador encendido durante diez minutos. Si el ventilador continúa oscilando, comuníquese con Atención al Cliente para solicitar el envío de un conjunto de balanceo sin cargo.

Este equipo ha sido probado y encontrado en cumplimiento con los límites correspondientes a un dispositivo digital de la Clase B, conforme a la Parte 15 de las Reglas de la FCC. Estos límites están diseñados para ofrecer una protección razonable contra interferencias perjudiciales en una instalación residencial. Este equipo genera, utiliza y puede emitir energía de radiofrecuencia y, si no se instala y utiliza de acuerdo con las instrucciones, puede causar interferencias perjudiciales en las radiocomunicaciones. Sin embargo, no existe garantía de que no ocurra interferencia en una instalación en particular. Si este equipo efectivamente causa interferencia dañina a la recepción de radio o televisión, lo cual puede determinarse apagando y encendiendo el equipo, se recomienda al usuario que trate de corregir la interferencia realizando uno o varios de los siguientes pasos:

- Cambiar de dirección o de lugar la antena receptora.
- Aumentar la separación entre el equipo y el receptor.
- Conectar el equipo en un tomacorriente en un circuito diferente de donde esté conectado el receptor.
- Consultar al vendedor o a un técnico de radio/TV con experiencia para que lo ayude.

PRECAUCIÓN:

Todo cambio o modificación que no esté aprobado expresamente por el cesionario de este dispositivo podría invalidar la autoridad del usuario para usar el equipo. Este equipo cumple con la parte 15 de las reglas de la FCC. El funcionamiento está sujeto a las siguientes dos condiciones: (1) este dispositivo no puede causar interferencia dañina, y (2) este dispositivo debe aceptar cualquier interferencia recibida, incluida la interferencia que pueda causar un funcionamiento no deseado.

HOME DECORATORS COLLECTION

¿Tiene preguntas o problemas, o le faltan piezas? Antes de devolver a la tienda,
Llame a Atención al Cliente de Home Depot
Lunes a viernes de 8:00 a.m. a 7:00 p.m., EST,
y los sábados de 9:00 a.m. a 6:00 p.m., EST.

1-800-986-3460

HOMEDEPOT.COM/HOMEDECORATORS

Guarde este manual para su uso futuro.