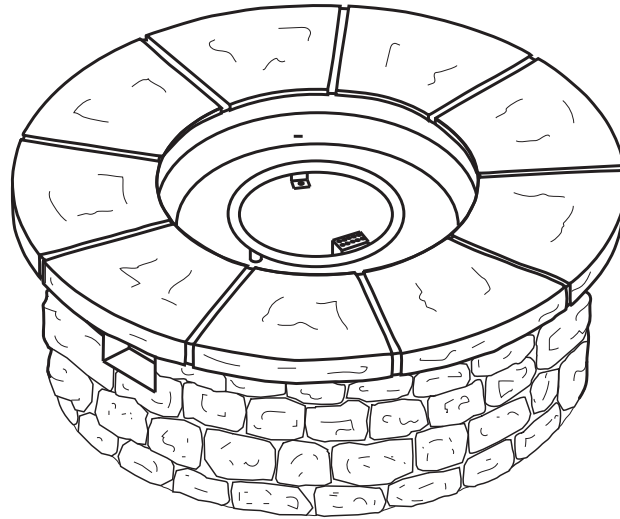




Lot: _____

P.O. _____



C11810LP Sedona Round Fire Table Owner's Manual

! WARNING

For outdoor use only.

! WARNING

Do not store or use gasoline or other flammable liquids in the vicinity of this or any other appliance.

An LP-cylinder not connected for use should not be stored in the vicinity of this or any other appliance.

! DANGER

If you smell gas:

- Shut off gas to the appliance.
- Extinguish any open flame.
- If odor continues, keep away from the appliance and immediately call your gas supplier or fire department.

! WARNING

Improper installation, adjustment, alteration, service, or maintenance can cause injury or property damage.

Read the installation, operation and maintenance instructions thoroughly before installing or servicing this equipment.



TABLE OF CONTENTS

Important Safety Information	3
Gas Dangers and Warnings	5
Parts List	6
Assembly Instructions	7
Pre-Use Instructions	9
Lighting Instructions	10
Care and Cleaning	11
Spider and Insect Warning	12
Tips and Troubleshooting	13
Technical Parts List	15
Warranty	16

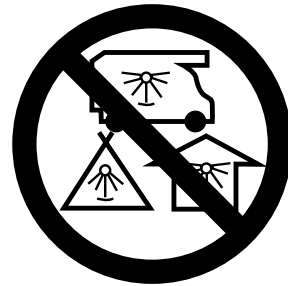


CARBON MONOXIDE HAZARD

This appliance can produce carbon monoxide which has no odor.

Using it in an enclosed space can kill you.

Never use this appliance in an enclosed space such as a camper, tent, car or home.



SPECIFICATIONS

Product Name
Sedona Round Fire Table

Type of Gas
Propane (LP)

Model No.
C11810LP

Gas Supply
20 lb LP-Gas cylinder

Rated Heat Output
65,000 BTUs/hr

IMPORTANT SAFETY INFORMATION

Installation notes

- Minimum Clearance from unit to combustible materials: 48" (121.9 cm) from all sides and back. Do not place this fire table under any overhead structure or vegetation. Do not place on or above combustible surfaces.
- Save these instructions for future reference. If you are assembling this unit for someone else, give this manual to them to read and save for future reference.
- If the information in this manual is not followed exactly, a fire or explosion may result causing property damage, personal injury, or death.
- Installation and service must be performed by a qualified service agency or gas supplier. Real Flame recommends using professionals who are certified in the U.S. by the National Fireplace Institute® (NFI) as NFI Gas Specialists.
- The normal LP inlet pressure for this appliance is 11.0" W.C. (2.74 kPa), maximum inlet pressure is 13.0" W.C. (3.23 kPa), minimum inlet pressure is 8" W.C. (1.99 kPa).
- If this fire table has been converted to natural gas, the normal inlet pressure for this appliance is 7.0" W.C. (1.74 kPa), maximum inlet pressure is 10.5" W.C. (2.61kPa), minimum inlet pressure is 3.5" W.C. (0.87 kPa).
- Do not remove the feet from the fire table.
- Do not place the fire table on anything that blocks or seals the gap between the table and the ground.
- Do not permanently secure the fire table in any way or to any surfaces.
- Do not bury the hose. You must be able to visually inspect the hose for damage before each use.
- Do not coil or hide the hose under the fire table. The hose could be damaged if it touches hot surfaces.

General Warnings

- **Children and adults should be alerted to the hazards of high surface temperatures and should stay away to avoid burns or clothing ignition.**
- **Young children should be carefully supervised when in the area of the fire table.**
- **Clothing or other flammable materials should not be hung from the fire table or placed on or near the appliance.**
- **Any guard or other protective device removed for servicing the fire table must be replaced prior to operating the appliance.**
- **Installation and repair should be done by a qualified service person. The fire table should be inspected before use and at least annually by a qualified service person. More frequent cleaning may be required as necessary. It is imperative that the control compartment, burners, and circulating air passageways of the appliance are kept clean.**
- Do not store or use gasoline or other flammable vapors or liquids within 25 feet (7.62 m) of this or any other appliance.
- Do not store combustible materials in the fire table enclosure. This includes LP tanks. If the fire table is designed to use a hidden LP tank, the LP tank should be properly secured in the designated tank holder under the table. Do not store extra LP tanks under the fire table.
- Be sure to protect the hose and its components from any hot surfaces. It is dangerous to allow the hose to come into contact with any hot surface.
- If using your fire table with a LP tank, the tank should never be operated or stored on its side or up-side-down.

IMPORTANT SAFETY INFORMATION

General Warnings (Cont.)

- Keep all parts of the fire table clean including the burner and hose assembly. For more information on cleaning your fire table please refer to the Care and Cleaning section of this manual.
- Do not use this appliance if any part has been under water. Immediately call a qualified service technician to inspect the appliance and to replace any part of the control system and any gas control that has been under water.
- Do not use this fire table for cooking.
- Do not pour water into the fire table.
- Do not attempt to move or store this fire table until all parts are cool.
- Always shut off the gas supply at the source and disconnect the hose when the fire table is not in use.
- Any alteration of this outdoor fire table that is not specifically directed in the owner's manual will void the manufacturer's warranty. This includes the use of unapproved filler materials.

Set-Up Warnings

- Prior to each operation, check the hose assembly for evidence of excessive abrasion, wear or damage. Use a hand-held mirror, if necessary, to see hose sections located below the unit.
- If the hose assembly is damaged, cracked, or cut, it must be replaced before using the fire table. The hose assembly must be replaced with a hose assembly specified by Real Flame. Please call us at 1-800-654-1704 for assistance.
- Place the hose out of the pathways where people may trip over it. Do not place the hose in areas where it may be accidentally damaged.
- Before each use, examine the burner and its components for dirt and debris. If cleaning is required, use a pipe brush and soapy water solution. Also examine the area around the burner. Any dirt or foreign material such as spider webs, nests, leaves, etc., should be removed. If it is evident that the burner is damaged, the fire table must not be used, and the burner assembly must be replaced. Please contact Real Flame at 1-800-654-1704 for support.
- Do not burn solid fuels such as wood, charcoal briquettes, lump charcoal, manufactured logs, drift wood, trash, leaves, paper, cardboard, plywood, painted, stained or pressure-treated wood and other materials in this fire table.

In-Use Warnings

- NEVER LEAVE this fire table unattended when in use.
- The use of alcohol, prescription or non-prescription drugs may impair your ability to safely operate this fire table.
- Always use in accordance with all applicable local, state and national codes. Contact your local fire department for details on outdoor burning.
- Do not use in windy conditions. Winds above 10 mph may cause the flame to extinguish.
- Some surfaces of this fire table may become hot during use. Be careful and do not touch surfaces until the unit has cooled.

GAS DANGERS AND WARNINGS

In-Use Warnings (Cont.)

- Do not attempt to disconnect the gas supply from the fire table when the unit is in use.
- Do not sit on the fire table.

LP Gas Warnings

LP gas is flammable and hazardous if handled improperly. Become aware of its characteristics before using any LP gas product. Failure to understand and follow these warnings or any directions and warnings provided by your LP supplier may result in property damage, injury or death.

DANGER

A LP cylinder should never be placed on its side. Doing so may cause liquid propane to leak. This could cause a fast build-up of propane gas and could lead to property damage, injury or death.

LP Characteristics

- LP gas is flammable, explosive under pressure, heavier than air and settles in pools in low areas. Pooled gas may ignite causing a fire or explosion which could cause property damage, injury or death.
- In its natural state, propane has no odor. For your safety, a scent has been added.
- Contact with propane could burn your skin.

LP Tank Information

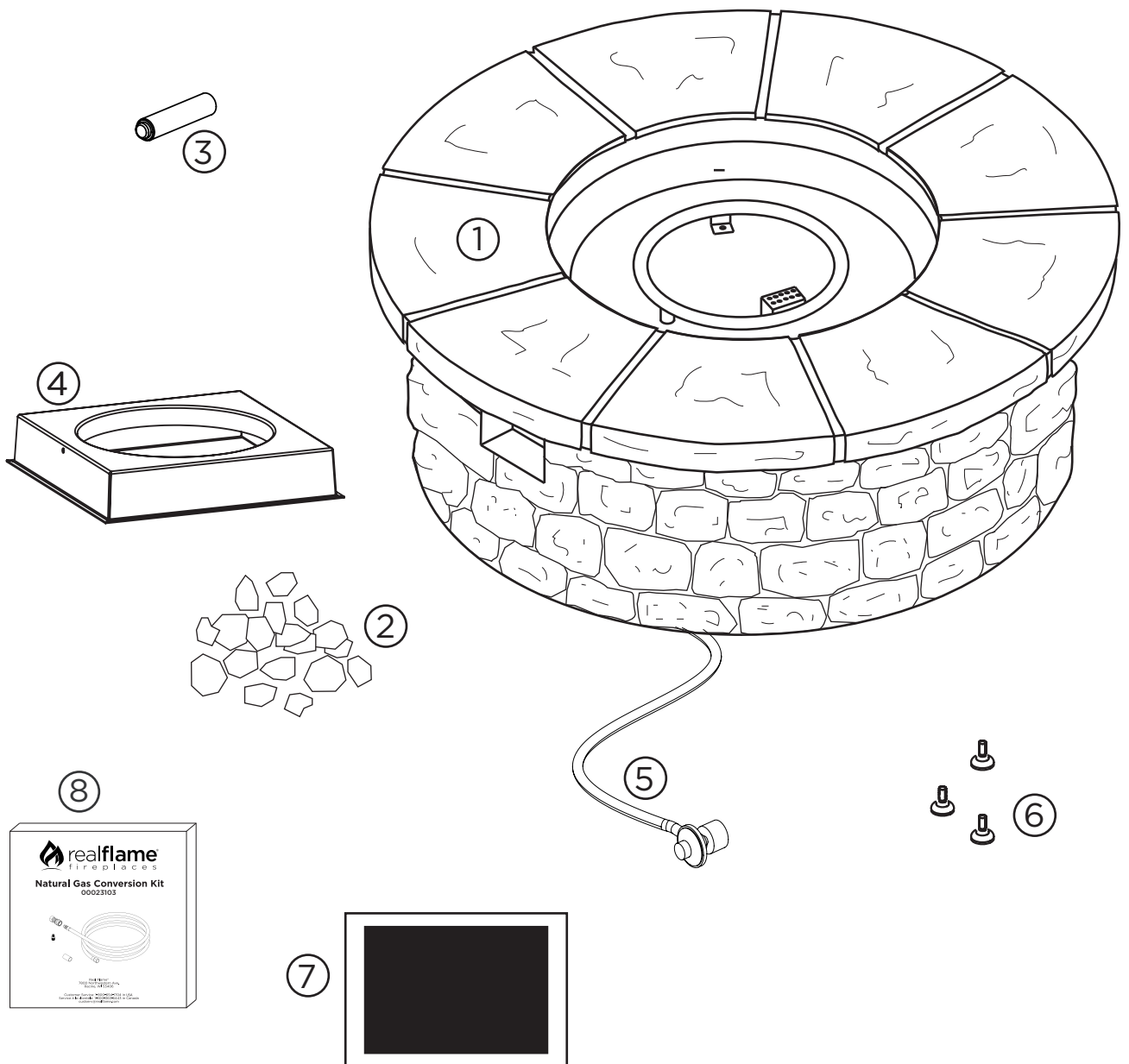
- LP gas cylinders should be filled only by a certified LP gas dealer.
- Never use a propane cylinder with a damaged body, valve, collar or footing.
- Dented or rusted propane cylinders may be hazardous and should be checked by your propane gas supplier.
- The LP gas supply tank must be constructed and marked in accordance with the Specifications for LP gas tanks of the U.S. Department of Transportation (DOT) or the National Standard of Canada, CAN/CSA-B339, LP gas tanks, Spheres and Tubes for the Transportation of Dangerous Goods; and Commission.
- LP gas tanks must be arranged for vapor withdrawal.
- LP gas tanks must have a listed overfilling prevention device (OPD) and a QCCI or Type I (CGA810) LP gas tank connection.
- The LP gas cylinder must contain a shutoff valve as specified in the Standard for Compressed Gas Cylinder Valve Outlet and Inlet Connection, ANSI/CGA-V-1-1977, CSA B96.
- Never attempt to attach this appliance to the self-contained LP gas system of a camper trailer, motor home or house.
- Hand-turn the manual gas control valve on your LP tank. Never use tools. If the valve will not turn by hand, do not try to repair it. Call a certified gas technician.
- The use of force or any attempt at amateur repair may cause a fire or explosion.

LP Tank Storage and Safety

- Cylinders must be stored upright and outdoors in a well-ventilated area out of reach of children.
- Never store an LP cylinder in any enclosed area such as a shed or garage. Leaking gas could build up in these areas and may result in an explosion.
- Do not store LP gas tanks near any source of flame or ignition.
- Never store your LP gas tank in direct sunlight or where temperatures can reach 125°F or higher.
- Never keep a filled LP gas tank in a hot car or car trunk. Heat will cause the gas pressure to increase, which may open the relief valve and allow gas to escape.
- Place dust cap on valve outlet whenever the LP gas tank is not in use. Install only the type of dust cap on the LP gas tank valve outlet that is provided with the LP gas tank valve. Other types of caps or plugs may result in leakage of propane.
- The LP gas tank should not be dropped or handled roughly.

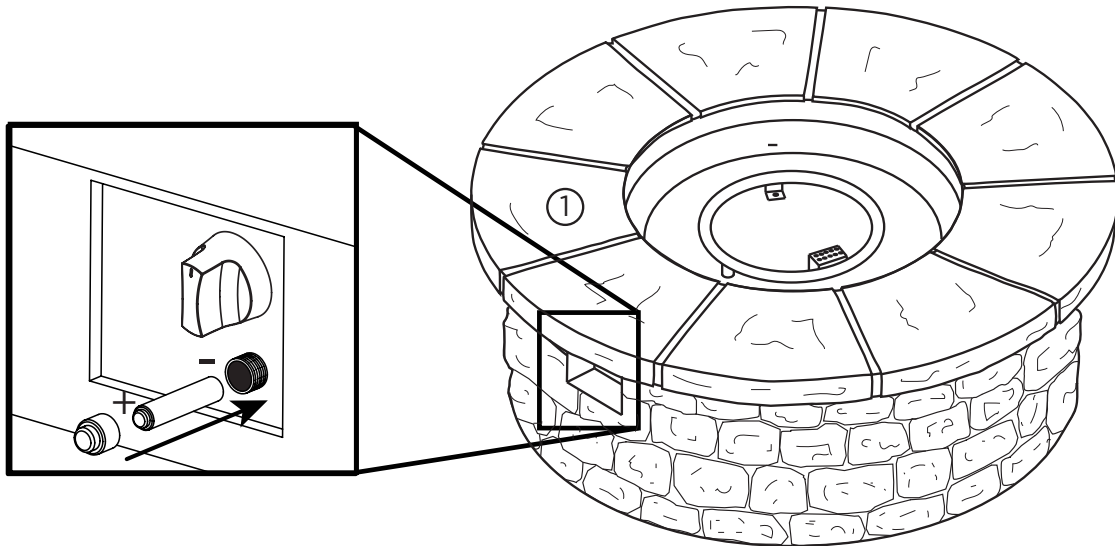
Parts List

①	Fire Table	N/A	1	⑤	LP Regulator and Hose	100190000	1
②	Lava Rock	118137100	1	⑥	Feet	06000003	3
③	Battery	N/A	1	⑦	Protective Cover	118100007	1
④	Tank Seat	100260000	1	⑧	Conversion Kit	00023109S	1



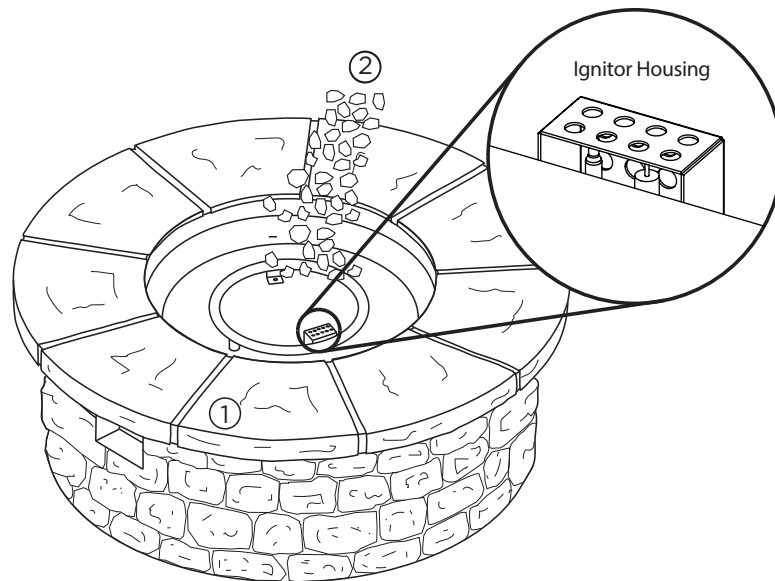
ASSEMBLY INSTRUCTIONS

1.) Install the AAA battery as shown in the diagram below.



2.) Place lava rocks by hand. Do not dump the bag into the burner area, or directly onto the burner to avoid clogging the burner with dust. Position the filler material across the burner area to a level 1" above the burner. Make sure that you do not block the igniter housing with filler to ensure proper ignition and operation.

If using glass filler Real Flame suggests placing a layer of lava rock down first around the burner then adding glass on top of that to improve airflow to the burner.

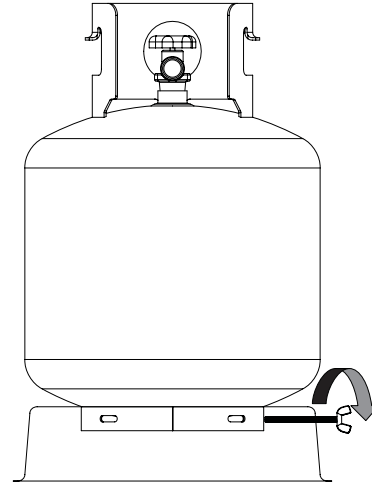
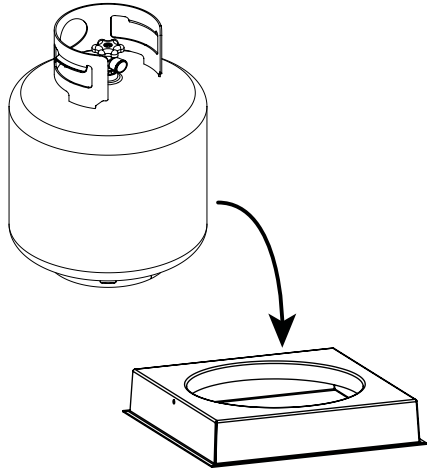


Lava Rock and Glass Filler Warning

1. Do not overfill the burner area with rock or glass filler; use only the specified amount. The depth of the filler should not be more than one inch above the burner tube. Only Real Flame filler products have been certified and tested for safe use with this Real Flame fire table. Using other filler material may result in increased popping and cracking or increased carbon monoxide emissions.
2. Do not light or use this fire table if the filler is wet. Ensure filler is completely dry before lighting. Intense heat can cause wet filler to explode and hit someone causing injury.
3. Keep away from the fire table for at least 20 minutes during initial start-up as filler could retain moisture from manufacturing and shipping.

ASSEMBLY INSTRUCTIONS

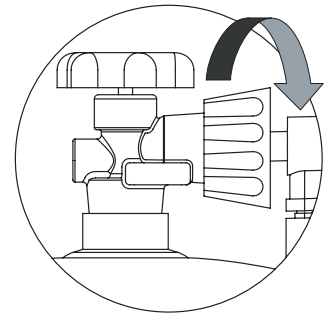
3.) Place the tank seat on the ground and place a 20 lb. propane tank into the designated area in the center. Once the tank is level and steady, tighten down the screw on the side of the tank seat to secure the tank in place.



4.) Connect the LP Gas Tank

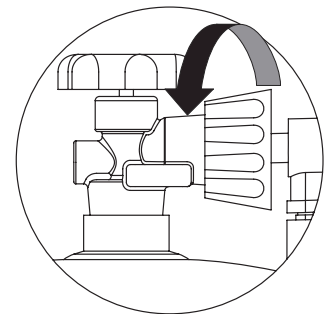
Before connection, be sure there is no debris caught in the collar of the gas cylinder, the regulator valve or the burner and burner ports.

Connect the gas line to the tank by turning the connection knob clockwise. Hand tighten only.



To disconnect the LP tank, make sure the valve on the LP gas tank is completely closed.

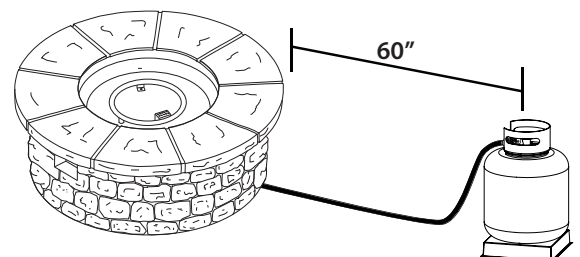
Disconnect the connection knob by turning it counter-clockwise until it is detached from the valve.



! WARNING

Place the LP tank 60" away from the fire table and locate the hose away from pathways or places where it could become damaged.

Watch your step while moving between the tank and the fire table. Be careful not to trip on the hose.



PRE-USE INSTRUCTIONS

WARNING

Before using this fire table, make sure you have read, understand, and are following all information provided in this manual. Failure to follow these instructions could cause property damage, serious injury or death.

Checking for Leaks

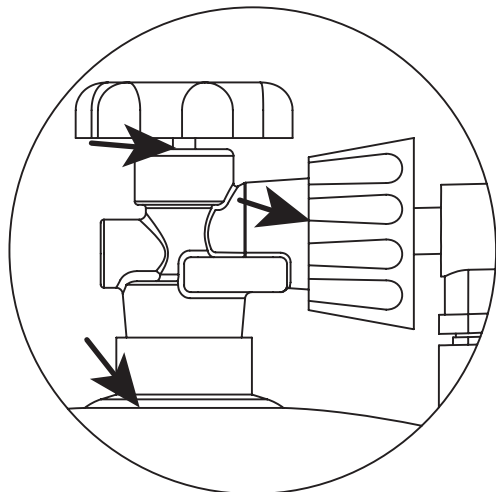
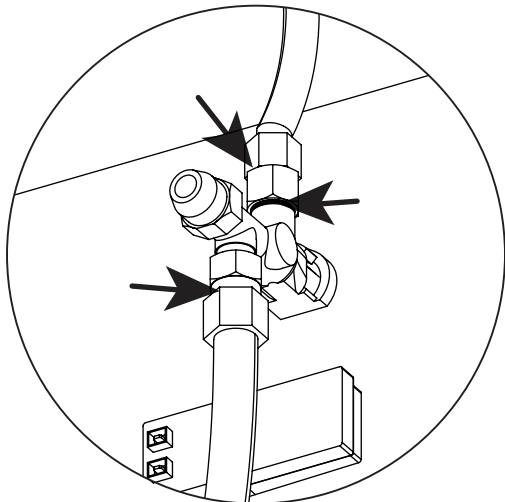
Make a leak check solution by mixing one part dish-washing soap with three parts water in a spray bottle.

Make sure that the control knob on the fire table is in the OFF position, then connect your fire table to a LP gas tank and turn the tank's valve on.

Spray leak solution on the valve connections, paying particular attention to the areas indicated in the diagrams below by arrows.

If bubbles appear, close the tank valve, disconnect the tank, and inspect all connections making sure threads are clear of debris. Reconnect the LP tank and re-test. If you continue to see bubbles, turn the LP gas tank off, disconnect it and call Real Flame at 1-800-654-1704 for assistance.

If no bubbles appear after one minute, wipe away excess leak solution and proceed to the next step.

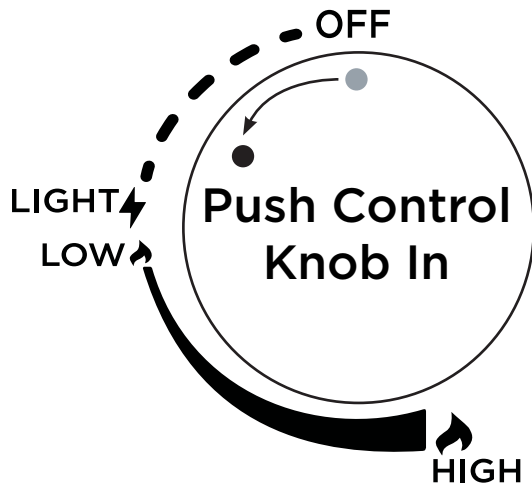
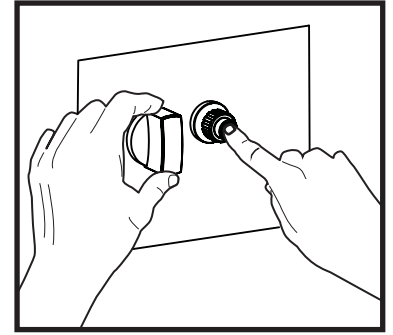


Pay close attention to the areas indicated by the arrows

LIGHTING INSTRUCTIONS

Using the Igniter

1. Read and understand all operating instructions before lighting.
2. Before beginning, make sure the control knob is in the OFF position.
3. Connect your propane cylinder (see previous pages).
4. Slowly open the valve on your LP cylinder.
5. Prepare to ignite your fire table by placing one hand on the control knob and one hand on the ignition button (as seen in diagram on the right). DO NOT lean over any part of the burner, and verify that the area around the burner is free of hazards.
6. Push and hold the igniter, you should hear a clicking sound.
7. While holding the igniter depressed with one hand, use your other hand to push in and turn the control knob to the LIGHT position.
8. Once the burner ignites, release the igniter button, but continue to keep the control knob pushed in for 15-30 seconds.
9. **WARNING:** If ignition does not occur in 30 seconds, turn the control knob to the "OFF" position and turn the gas off at its source. Make sure there is no source of ignition around the fire table and wait at least five minutes until the gas has cleared to repeat the lighting procedure. Failure to do so could result in a large flashback of pooled gas, causing property damage or injury.
10. After successfully lighting the table, release the control knob and turn it to the LOW setting. Observe the flame and make sure that all the burn ports are lit.
11. Adjust the flame to the desired height using the control knob.



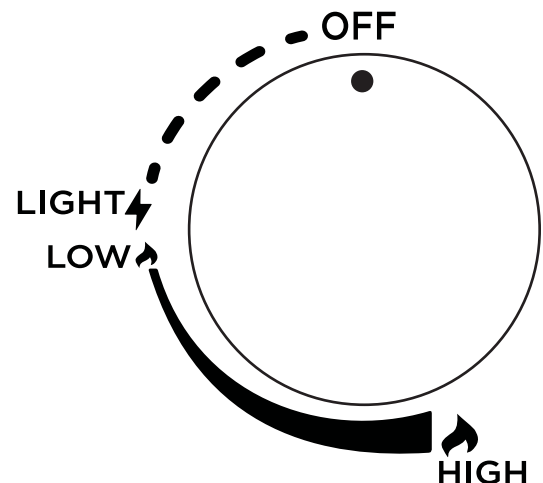
Flame Height



8-14"
20.3-35.5 cm

Shut-off Instructions

1. Turn the control knob to the OFF position.
2. Close the valve on the LP tank to shut-off gas flow.



CARE AND CLEANING

Inspecting Your Fire Table

WARNING

DO NOT inspect, clean, move or store your fire table until the flames are COMPLETELY out and all parts are cool to the touch.

Your fire table should be inspected regularly to ensure that it is safe to use and to extend the life of its parts.

To inspect your fire table follow these steps.

1. Make sure all parts are securely fastened in place. If a part moves when touched, check its connection points to see if they are loose.
2. Check all connections for leaks using the leak check method described in the “Check for Leaks” section of this manual.
3. Check the ignition system by pushing the igniter button and verifying that a spark is being generated in the igniter housing.
4. Visually check all components for any signs of damage, rust, or excessive wear.
5. If damage or leaks of any kind are found, DO NOT operate the fire table until the proper repairs have been made.

WARNING

DO NOT tamper with this appliance. This is dangerous and will void the warranty.

Repairs and modifications must be approved by Real Flame and completed by a professional gas technician.

This fire table has been tested and certified by a third party certification agency based on its specific and unique parts. Installing any other parts will void both the certification and the warranty. For approved replacement parts, contact Real Flame at: 1-800-654-1704

General Care and Cleaning

After repeated use, a slight discoloration or weathering of the fire table finish may occur. Your fire table should be cleaned regularly to ensure safe use and extend its life.

General Cleaning

Make a cleaning solution using a mild soap mixed with water. Use a soft cloth to wipe down exterior surfaces and rinse with clean water. Never use oven cleaners or abrasive solvents as these will damage the fire table.

Burner

The burner should be kept clean to ensure proper operation. Clogged burn ports may be cleared with a paper clip or pin. Debris in the burner can be cleaned using compressed air or a pipe brush.

Soot

After use it is possible for soot to develop on some surfaces, this soot deposit will usually come off with water and mild soap.

Storage

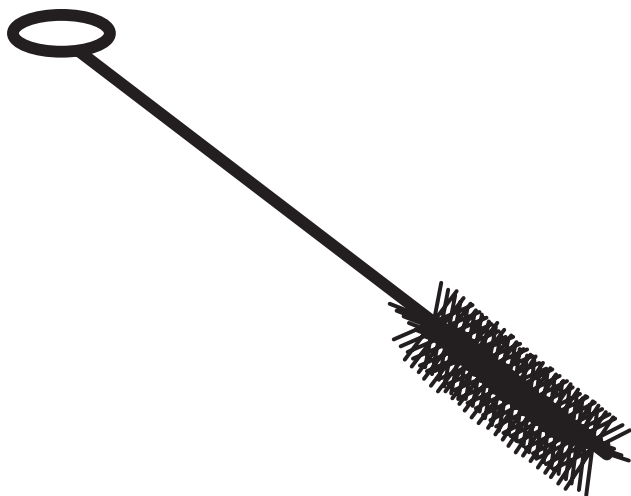
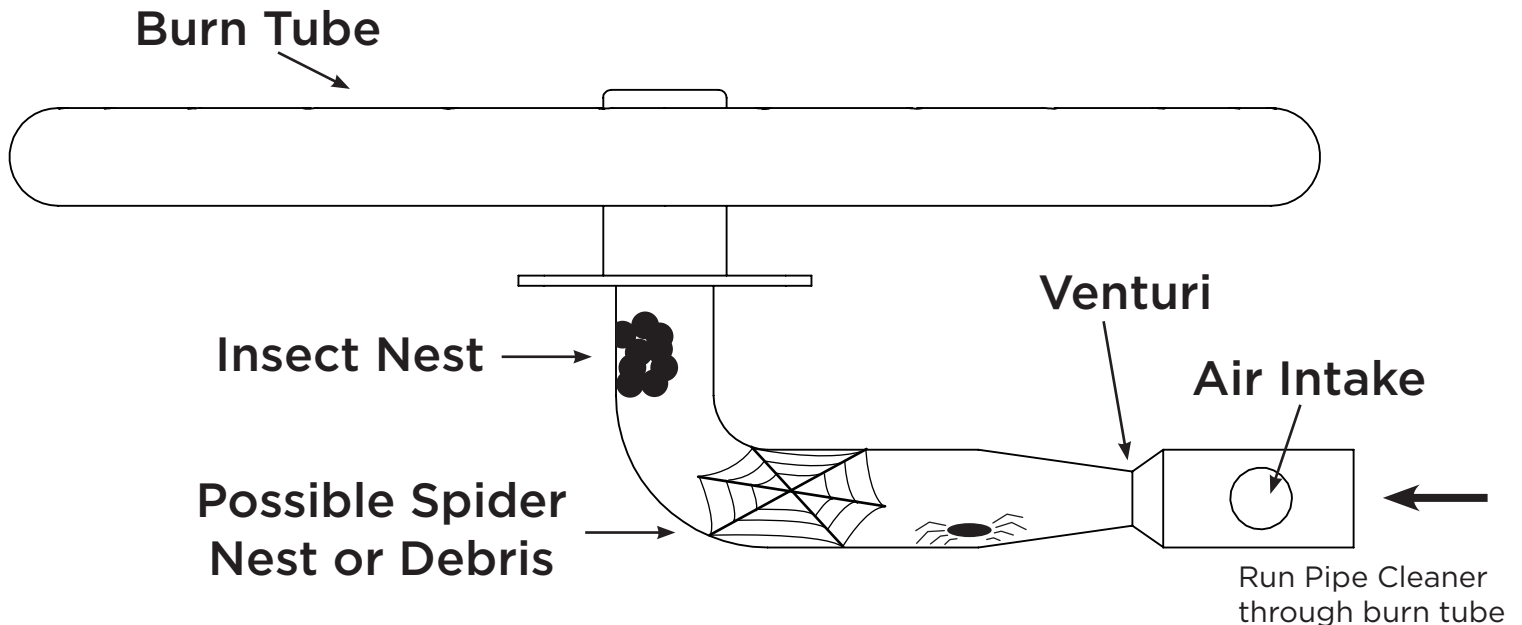
1. Turn the gas supply off at the tank. Remove the tank and store it in a cool, dry location, outside and away from children.
2. Secure all loose filler material or parts.
3. Remove the battery from the ignition box.
4. Cover your fire table when it will not be in use. Covering the table will help to protect the internal components from dirt and debris, prevent water from pooling on the surfaces and prevent the finish from fading and discoloring.
5. Store the fire table in a cool, dry location away from children and pets.

SPIDER AND INSECT WARNING

Spiders or other insects may build webs or nests in your fire table burner tube which can obstruct or block the flow of gas.

Some of the gas may back up in the burn tube and cause a flashback (a fire in the burn tube or underneath the fire table) which could result in personal injury or property damage. Check and clean the burn tube periodically using a pipe cleaner brush (as shown below) available at any hardware store.

Example of a typical burn tube Your exact burner may vary



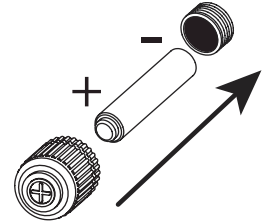
Example of pipe
cleaning brush available
at local hardware stores.

TIPS AND TROUBLESHOOTING

If the fire table will not ignite

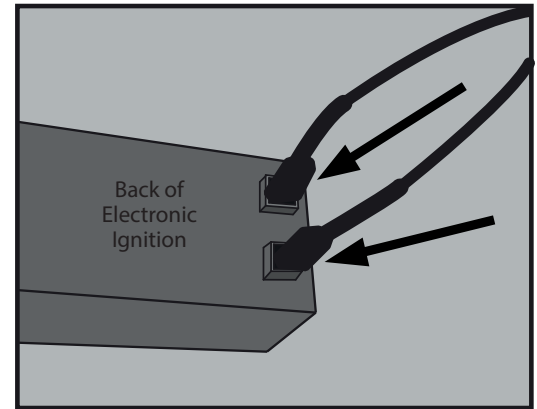
If the ignition system is working correctly, you should hear a clicking sound while the igniter button is pushed and you should see a spark inside the igniter housing. If you do not see the spark or hear a clicking sound, please check the following.

1. Make sure that the battery is not dead and that it is installed correctly, with the positive (+) side facing out.



2. If you still do not hear a clicking sound or see a spark in the igniter housing, look under the fire table and make sure that the electrode wire is correctly inserted into the back of the electronic ignition box. While inspecting the electrode wire, make sure that it is not cut or broken in any place. If the wire has been damaged contact Real Flame at 1-800-654-1704 for a replacement.

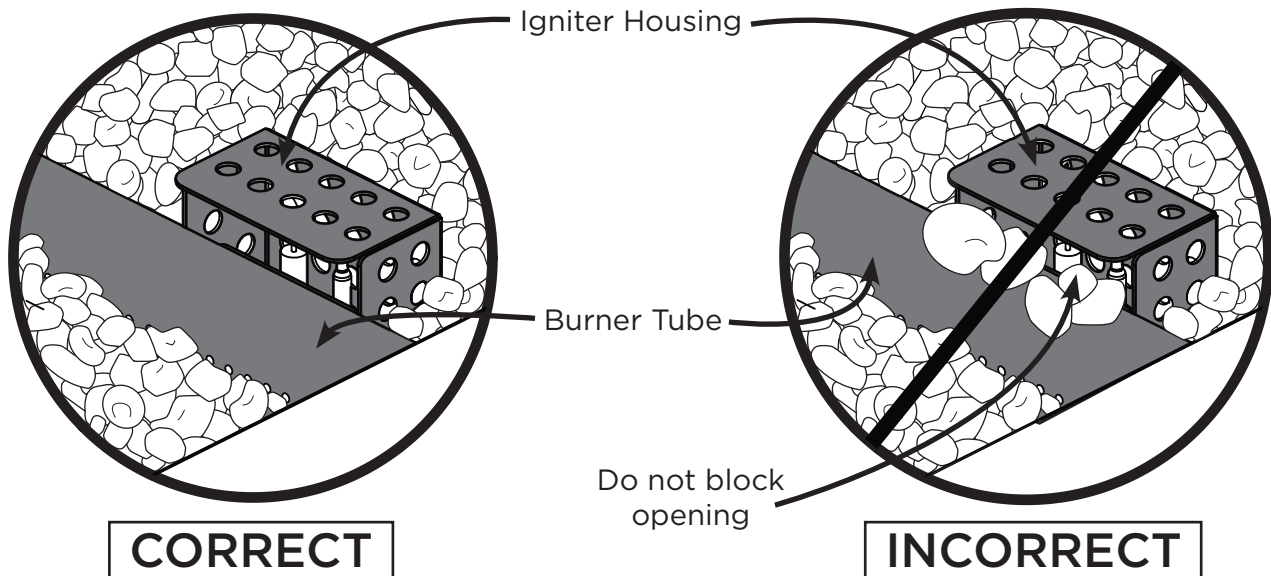
3.) If you hear clicking but cannot see a spark in the igniter housing, look under the table. Check between the electrode wire connection at the back of the electronic ignition and the connection point at the burn pan. If you see a spark anywhere under the table, look for damage to the wire or an incomplete connection at that point. If the wire has been damaged contact Real Flame at 1-800-654-1704 for a replacement.



If the fire table will not stay lit

If the fire table lights, but will not stay lit, or remains lit only for a brief time, please check the following.

1. Make sure that the igniter housing is unobstructed. Clear away any filler material or debris on the housing and make sure there is nothing between the igniter pin and the thermocouple.



TIPS AND TROUBLESHOOTING

If the fire table will not stay lit (Continued)

Make sure that the thermocouple and electrode are correctly positioned.

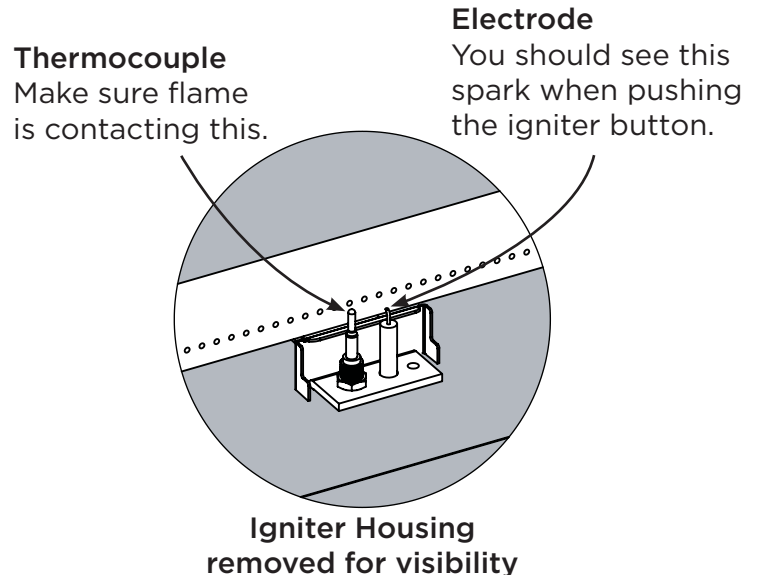
The igniter housing has been removed from the illustration to the right to better show positioning; however, you should be able to look through the openings of the igniter housing to verify this without removing it.

Thermocouple - The thermocouple tip should be located close to the burner, aligned with a burn port so that flames contact it directly. Make sure the flames are making contact with the thermocouple tip.

Electrode - The electrode is where the spark is generated to ignite your fire table. Make sure that you can see this sparking when the igniter button is pushed.

Damaged Thermocouple

If the igniter housing and the thermocouple tip are clear of debris and the flame is clearly contacting the tip of the thermocouple, but the fire table will still not stay lit, the thermocouple may be damaged. Look beneath the table and find the copper thermocouple wire coming out of the back of the valve. Examine the length of it for any signs of damage. Sharp bends, kinks or damage can cause the thermocouple to not function correctly. If you find damage to the thermocouple contact Real Flame at 1-800-654-1704 for a replacement.



Other Common Problems

Clogged or Obstructed Burner

It is common for bugs, especially spiders, to make webs or nests inside of burner tubes. If it seems like you are getting low or no gas flow, visually check all openings in the burner for signs of clogs. If you see anything clogging the burner try using compressed air to remove the debris.

Out of Gas

Be sure that your tank is not empty. Low tanks can result in lower flames.

Cold Temperatures

Cold temperatures outside may result in lower tank pressures causing the flames to be lower. Do not use your fire table in extreme temperature conditions. Allow the temperature of your tank to rise and as the pressure in the tank increases the flame size will increase. NEVER heat your tank; allow it to warm up naturally.

High Winds

Your fire table is designed to operate in winds up to 10 mph. High winds may cause the flame to blow out. Do not operate your fire table in high wind conditions.

If you continue to have problems with your fire table please contact Real Flame customer service at : 1-800-654-1704

TECHNICAL PARTS LIST

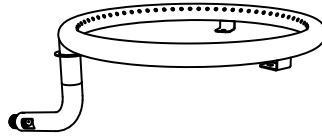
Igniter Housing
100280027



Valve
100370000



Burn Tube
100360000



Thermocouple
100210000



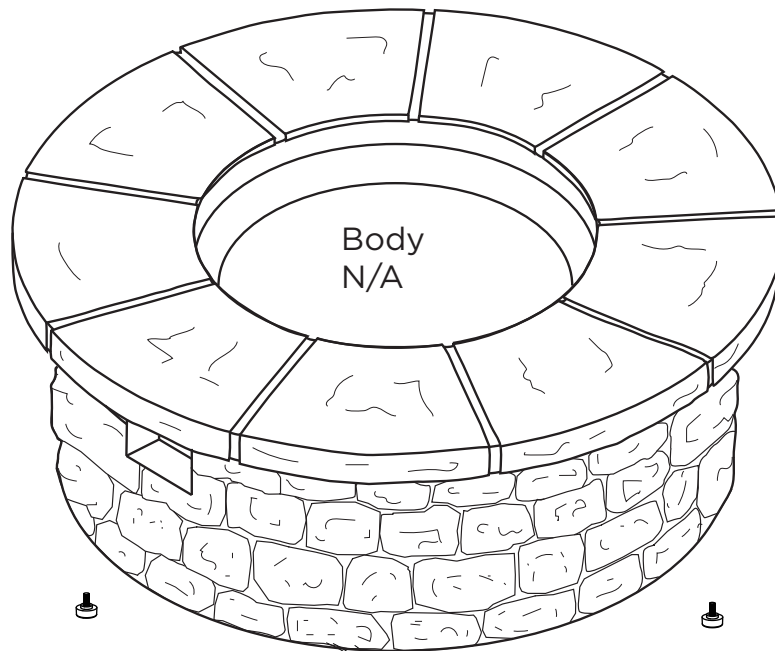
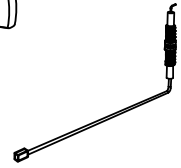
Control Knob
100200000



Bellows (CSST)
100370006

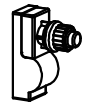


Igniter Electrode
100380001



Body
N/A

Igniter Box
100220000



Orifice Spud
100370002



Adjustable Feet
06000003

LP Hose and
Regulator
100190000



WARRANTY AND RETURN POLICIES

Warranty

Real Flame® Company warrants Real Flame fireplaces and accessories to be free from defects in parts under normal use and service for a period of 1 year from the date of purchase and defective from finish issues for a period of 1 year from the date of purchase. In the event of such defects Real Flame will, at its option, replace the defective product or refund the purchase price. The foregoing is the exclusive remedy and Real Flame disclaims all other warranties, including any implied warranty of merchantability or fitness for a particular purpose. In addition, Real Flame will not be responsible for consequential damages in excess of the purchase price of the product on which such liability is based.

Return Policy

You may return your purchase within 90 days of receipt. No refunds will be issued for incomplete or unauthorized returns. All returned products must be 100% complete, adequately packaged in original packaging and in resalable condition. Products that have been assembled or modified will not be eligible for return. All items must be returned in their entirety, meaning all items included must be returned together. No returns or exchanges on discontinued items. Please begin the return process by contacting the store or company where you bought your Real Flame item.

Replacement Parts

In the event that an item has been lost or damaged, either by the manufacturer or in shipping, you may request a replacement. Replacement parts are not available for all units and only given at Real Flame's discretion. We will assess any damage and find a solution, which could include shipping you a replacement. No replacements are available for discontinued items or repackaged (open box) products. Please call Real Flame Customer Service at 800-654-1704 for replacement parts before returning the damaged item. Please have the following information (which can be found in your instruction manual) ready before you call Customer Service.

- Model Number of Item
- 4-8 digit Part Number
- Lot Code Number
- Shipping Address
- A picture of the damaged item may be requested. Pictures should be sent to custserv@realflame.com

Incorrect Order Received

If you received something other than what you ordered, please contact Real Flame Customer Service at 800-654-1704 within 48 hours of receiving the item. Please refer to www.Realflame.com for our complete return guidelines and policies.

Please refer to www.Realflame.com for our complete return guidelines and policies.

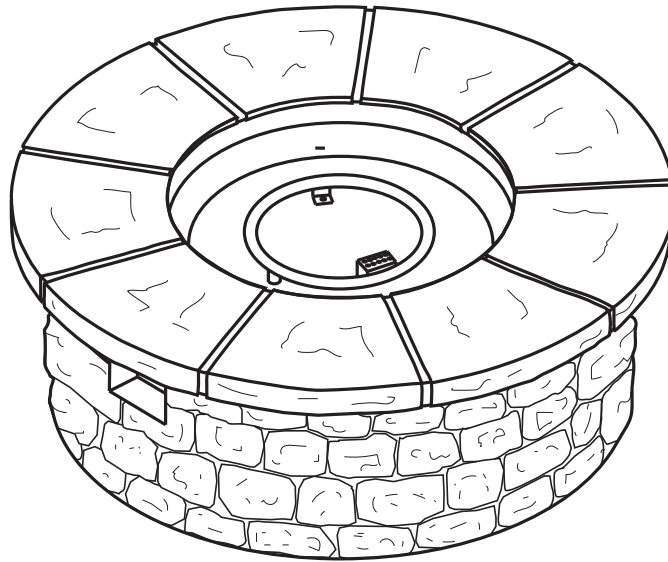
Real Flame®
7800 Northwestern Ave.
Racine, WI 53406

Customer Service: 1-800-654-1704 in USA
Service à la clientèle: 1-800-363-6443 in Canada
custserv@realflame.com



realflame[®]

fireplaces



C11810LP Sedona

MANUEL DU PROPRIÉTAIRE DE TABLE-FOYER

⚠️ AVERTISSEMENT

Pour usage extérieur uniquement.

⚠️ AVERTISSEMENT

Ne pas entreposer ou utiliser d'essence ou liquides inflammables à proximité de cet appareil ou de tout autre appareil.

⚠️ DANGER

Si vous sentez du gaz:

- Arrêtez le gaz vers l'appareil.
- Éteignez toute flamme nue.
- Si l'odeur persiste, éloignez-vous de l'appareil et appelez immédiatement votre fournisseur de gaz ou votre service des incendies.

Une bonbonne de gaz propane liquide (GPL) non connecté pour l'utilisation ne doit pas être entreposée à proximité de cet appareil ou d'un autre appareil.

⚠️ AVERTISSEMENT

L'installation, le réglage, l'altération, le service ou l'entretien inadéquat peuvent causer des blessures ou des dommages matériels.

Lisez attentivement les instructions d'installation, d'utilisation et d'entretien avant d'installer ou d'entretenir cet équipement.



TABLE DES MATIÈRES

Informations importantes sur la sécurité	3
Avertissements concernant le gaz	5
Liste des pièces	6
Instructions d'assemblage	7
Instructions avant l'utilisation	9
Instructions d'allumage	10
Entretien et nettoyage	11
Avertissement concernant les araignées et les insectes	12
Conseils et dépannage	13
Liste des pièces techniques	15
Garantie	16



DANGER

RISQUE DE MONOXYDE DE CARBONE

Cet appareil peut produire du monoxyde de carbone qui n'a pas d'odeur.

L'utiliser dans un espace fermé peut vous tuer.

Ne jamais utiliser cet appareil dans un espace fermé comme une autocaravane, une tente, une voiture ou à l'intérieur de la maison.



CARACTÉRISTIQUES

Nom du produit
Sedona table-foyer

Type de gaz
Propane (GPL)

No. du modèle
C11810LP

Approvisionnement en gaz
Bonbonne de GPL de 20 lb

Puissance nominale
65,000 BTU/hr

INFORMATIONS IMPORTANTES SUR LA SÉCURITÉ

Notes d'installation

- Distance minimale de l'unité aux matériaux combustibles : 121,9 cm (48 po) de tous les côtés et de l'arrière. Ne placez pas cette table-foyer sous aucune structure suspendue ou végétation. Ne la placez pas sur ou au-dessus des surfaces combustibles.
- Conservez ces instructions pour référence ultérieure. Si vous assemblez cette unité pour quelqu'un d'autre, donnez-leur ce manuel pour lire et conserver pour référence ultérieure.
- Si les informations contenues dans ce manuel ne sont pas suivies exactement, un incendie ou une explosion peut entraîner des dommages matériels, des blessures corporelles ou la mort.
- L'installation et l'entretien doivent être effectués par une agence de service qualifiée ou un fournisseur de gaz. Real Flame recommande d'utiliser des professionnels certifiés aux États-Unis par le National Fireplace Institute® (NFI) en tant que Spécialistes NFI du Gaz.
- La pression d'entrée GPL normale pour cet appareil est de 11,0 po W.C. (2,74 kPa), la pression d'entrée maximale est de 13,0 po W.C. (3,23 kPa), la pression d'entrée minimale est de 8 po W.C. (1,99 kPa).
- Si cette table-foyer a été convertie au gaz naturel, la pression d'entrée normale pour cet appareil est de 7,0 po W.C. (1,74 kPa), la pression d'entrée maximale est de 10,5 po W.C. (2,61kPa), la pression d'entrée minimale est de 3,5 po W.C. (0,87 kPa).
- Ne retirez pas les pieds de la table-foyer.
- Ne placez pas la table-foyer sur tout ce qui bloque ou scelle l'espace entre le foyer et le sol. Ne fixez pas en permanence la table-foyer de quelque manière que ce soit ou à aucune surface.
- N'enterrez pas le tuyau. Vous devez pouvoir inspecter visuellement le tuyau avant toute utilisation.
- N'enroulez pas ou ne cachez pas le tuyau sous la table-foyer. Le tuyau pourrait être endommagé s'il touche des surfaces chaudes.

Avertissements généraux

- **Les enfants et les adultes doivent être informés des risques de températures de surface élevées et doivent rester éloignés pour éviter les brûlures ou que leurs vêtements prennent feu.**
- **Les jeunes enfants devraient être soigneusement surveillés dans la zone de la table-foyer.**
- **Les vêtements ou autres matériaux inflammables ne doivent pas être accrochés à la table-foyer ou placés sur ou à proximité de l'appareil.**
- **Toute protection ou autre dispositif de protection retiré pour l'entretien de la table-foyer doit être remplacé avant d'utiliser l'appareil.**
- **L'installation et la réparation doivent être effectuées par une personne qualifiée. La table-foyer doit être inspectée avant utilisation et au moins une fois par année par un technicien qualifié. Un nettoyage plus fréquent peut être nécessaire. Il est impératif que le compartiment de commande, les brûleurs et les passages de circulation d'air de l'appareil soient maintenus propres.**
- N'entreposez pas ou n'utilisez pas d'essence ou d'autres vapeurs ou liquides inflammables à moins de 7,62 m (25 pi) de cet appareil ou de tout autre appareil.
- Ne rangez pas de matériaux combustibles dans le boîtier de la table-foyer. Cela comprend les bonbonnes de GPL. Si la table-foyer est conçue pour utiliser une bonbonne de GPL dissimulée, la bonbonne de GPL doit être correctement fixée dans le porte-bonbonne désigné sous la table-foyer. N'entreposez pas de bonbonnes de GPL supplémentaires sous la table-foyer.
- Assurez-vous de protéger le tuyau et ses composants de toutes surfaces chaudes. Il est dangereux de permettre au tuyau d'entrer en contact avec une surface chaude.
- Si vous utilisez votre table-foyer avec une bonbonne de GPL, la bonbonne ne doit jamais être utilisée sur le côté ou à l'envers.

INFORMATIONS IMPORTANTES SUR LA SÉCURITÉ

Avertissements généraux (suite)

- Conservez toutes les parties de la table-foyer propres, y compris le brûleur et l'assemblage du tuyau. Pour plus d'informations sur le nettoyage de votre table-foyer, consultez la section Entretien et nettoyage de ce manuel.
- N'utilisez pas cet appareil si une partie a été submergée. Appelez immédiatement un technicien de service qualifié pour inspecter l'appareil et remplacer toute partie du système de contrôle et toute commande de gaz qui a été sous l'eau.
- N'utilisez pas cette table-foyer pour la cuisson.
- Ne versez pas d'eau dans la table-foyer.
- N'essayez pas de déplacer ou de ranger cette la table-foyer jusqu'à ce que toutes les pièces soient froides.
- Coupez toujours l'alimentation en gaz à la source et débranchez le tuyau lorsque la table-foyer n'est pas utilisée.
- Toute modification de cette table-foyer extérieure qui n'est pas directement spécifiée dans le manuel du propriétaire annulera la garantie du fabricant. Cela comprend l'utilisation de matériaux de remplissage non approuvés.

Avertissements d'installation

- Avant chaque fonctionnement, vérifiez l'assemblage du tuyau pour vous assurer qu'il n'y a pas trop d'abrasion, d'usure ou de dommage. Utilisez un miroir portatif, si nécessaire, pour voir les sections de tuyau situées sous l'appareil.
- Si le tuyau flexible est endommagé, fissuré ou coupé, il doit être remplacé avant d'utiliser la table-foyer. L'ensemble de tuyau doit être remplacé par un ensemble de tuyau spécifié par Real Flame. Veuillez nous appeler au 1-800-654-1704 pour obtenir de l'assistance.
- Placez le tuyau hors des sentiers où les gens peuvent trébucher dessus. Ne placez pas le tuyau dans les endroits où il risque d'être endommagé accidentellement.
- Avant chaque utilisation, examinez le brûleur et ses composants pour détecter la saleté et les débris. Si le nettoyage est nécessaire, utilisez une brosse à tuyau et une solution d'eau savonneuse. Examinez également la zone autour du brûleur. Toutes saletés ou matières étrangères telle que les toiles d'araignées, les nids, les feuilles, etc., doivent être enlevées. S'il est évident que le brûleur est endommagé, la table-foyer ne doit pas être utilisée et le brûleur doit être remplacé. Veuillez contacter Real Flame au 1-800-654-1704 pour obtenir de l'assistance.
- Ne brûlez pas de combustibles solides comme le bois, les briquettes de charbon de bois, le charbon de bois, les bûches fabriquées, le bois flotté, les déchets, les feuilles, le papier, le carton, le contreplaqué, le bois peint ou traité.

Avertissements lors de l'utilisation

- **NE LAISSEZ JAMAIS** cette table-foyer sans surveillance lorsqu'elle est en cours d'utilisation.
- L'utilisation d'alcool, de médicaments sur ordonnance ou en vente libre peut nuire à votre capacité à utiliser cette table-foyer en toute sécurité.
- Utilisez toujours conformément à tous les codes locaux, provinciaux et nationaux applicables. Contactez votre service d'incendie local pour plus de détails concernant les feux extérieurs.
- Ne l'utilisez pas dans des conditions venteuses. Les vents supérieurs à 10 km/h peuvent éteindre la flamme.
- Certaines surfaces de cette table-foyer peuvent devenir chaudes pendant l'utilisation. Faites attention et ne touchez pas les surfaces de l'appareil jusqu'à ce qu'elles soient refroidies.

AVERTISSEMENTS CONCERNANT LE GAZ

Avertissements lors de l'utilisation (suite)

- N'essayez pas de débrancher l'alimentation en de la table-foyer lorsque l'appareil est utilisé.
- Ne vous asseyez pas sur la table-foyer.

Avertissements concernant le GPL

Le GPL est inflammable et dangereux s'il n'est pas manipulé correctement. Prenez conscience de ses caractéristiques avant d'utiliser un produit de GPL. Le non-respect de ces avertissements ou de ces instructions et de ces avertissements fournis par votre fournisseur de GPL peut entraîner des dommages matériels, des blessures ou la mort.



DANGER

Une bonbonne de GPL ne doit jamais être placée sur son côté. Cela pourrait provoquer une fuite de propane liquide. Cela pourrait provoquer une accumulation rapide de gaz propane et pourrait entraîner des dommages matériels, des blessures ou la mort.

Caractéristiques concernant le GPL

- Le GPL est inflammable, explosif sous pression, plus lourd que l'air et se dépose dans les fosses dans les zones basses. Le gaz accumulé peut s'enflammer en provoquant un incendie ou une explosion qui pourrait causer des dommages matériels, des blessures ou la mort.
- Dans son état naturel, le propane n'a pas d'odeur. Pour votre sécurité, une odeur a été ajoutée.
- Le contact avec du propane pourrait brûler votre peau.

Informations concernant le réservoir de GPL

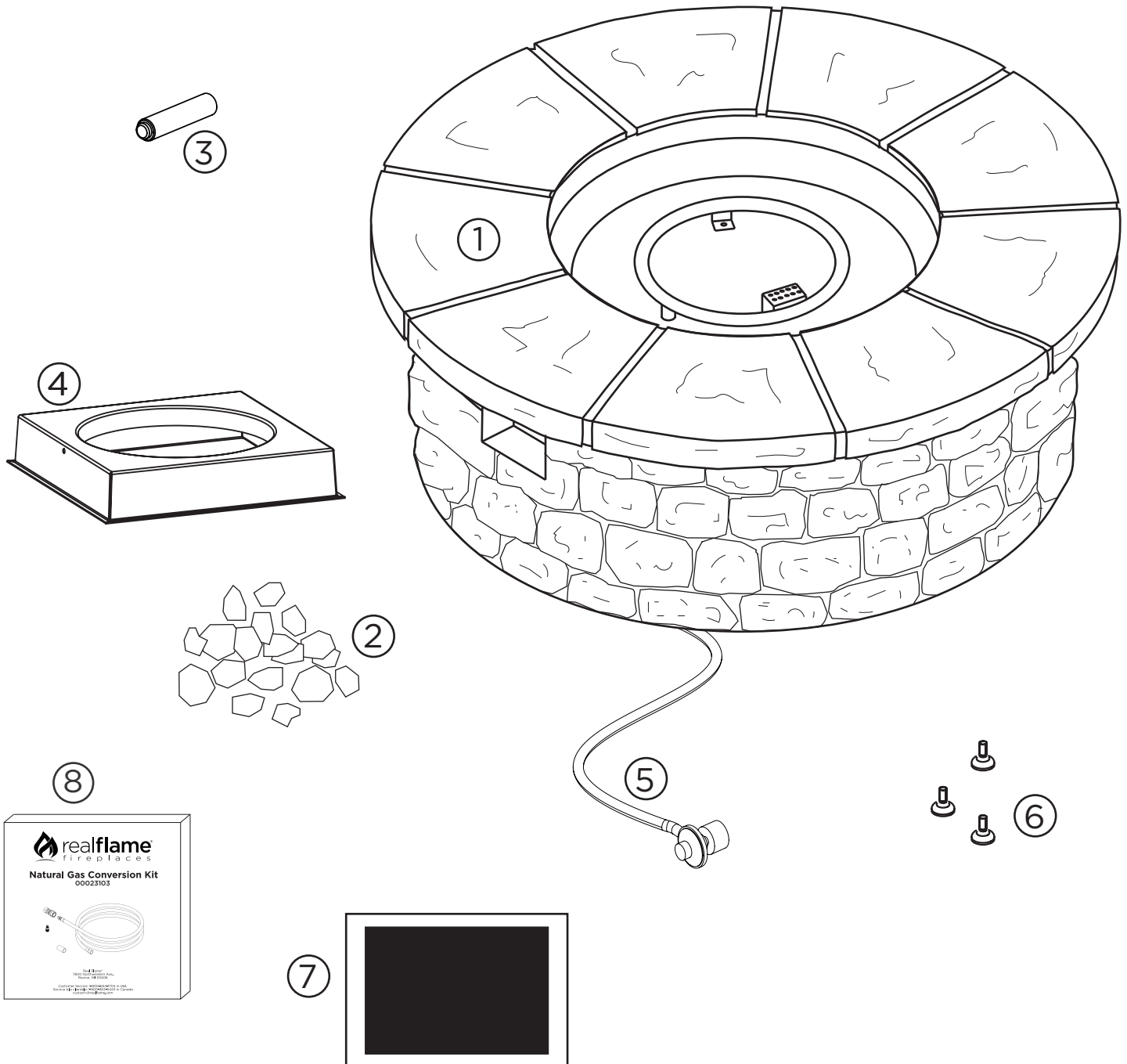
- Les bonbonnes de GPL doivent être remplies uniquement par un distributeur de gaz naturel certifié.
- N'utilisez jamais une bonbonne de propane avec un corps, une vanne, un collier ou un pied endommagé.
- Les bonbonnes de propane endommagées ou rouillées peuvent être dangereuses et devraient être vérifiées par votre fournisseur de gaz propane.
- Le réservoir d'alimentation en GPL doit être construit et marqué conformément aux spécifications pour les réservoirs de GPL du ministère des Transports des États-Unis (DOT) ou la Norme Nationale du Canada, CAN/CSA-B339, les réservoirs de GPL, les sphères et les tubes pour le Transport de Marchandises Dangereuses; et la Commission.
- Les réservoirs de GPL doivent être munis d'une sortie de vapeur.
- Les réservoirs de GPL doivent être munis d'un dispositif anti-débordement (OPD) et d'un raccord de réservoir de gaz propane QCCI ou Type I (CGA810).
- La bonbonne de GPL doit contenir une vanne d'arrêt conforme à la norme ANSI/CGA-V-1-1977, CSA B96, la Norme relative à la sortie de la vanne et aux tuyaux de la bonbonne de gaz comprimé.
- N'essayez jamais d'attacher cet appareil au système de GPL d'une tente-caravane, d'une maison à moteur ou d'une maison.
- Tournez à la main la vanne de contrôle du gaz. N'utilisez jamais d'outils. Si la vanne ne tourne pas à la main, ne tentez pas de la réparer. Appelez un technicien en gaz certifié.
- L'usage de la force ou toute autre tentative de réparation par vous-même peuvent produire un incendie ou une explosion.

Entreposage et sécurité des bonbonnes GPL

- Les bonbonnes doivent être entreposées verticalement et à l'extérieur dans un endroit bien ventilé hors de portée des enfants.
- Ne rangez jamais une **bonbonne** de GPL dans une zone fermée telle qu'une remise ou un garage. Des fuites de gaz pourraient s'accumuler dans ces zones et entraîner une explosion.
- Ne rangez pas les **bonbonnes** de GPL à proximité de toute source de flamme ou d'allumage.
- Ne rangez jamais votre **bonbonne** de GPL à la lumière directe du soleil ou des endroits où les températures peuvent atteindre 52 °C (125 °F) ou plus.
- Ne gardez jamais une **bonbonne** de GPL remplie dans une voiture chaude ou un coffre de voiture. La chaleur entraînera une augmentation de la pression du gaz, ce qui peut ouvrir la vanne de décharge et permettre au gaz de s'échapper.
- Placez le capuchon protecteur sur la sortie de la vanne lorsque la bonbonne de GPL n'est pas utilisée. Installez uniquement le type de capuchon protecteur sur la sortie de la vanne de la bonbonne de GPL qui est fournie avec la vanne de la bonbonne de GPL. D'autres types de capuchons ou de bouchons peuvent entraîner une fuite de propane.
- La bonbonne de GPL ne devrait pas être retirée ou manipulée brutalement.

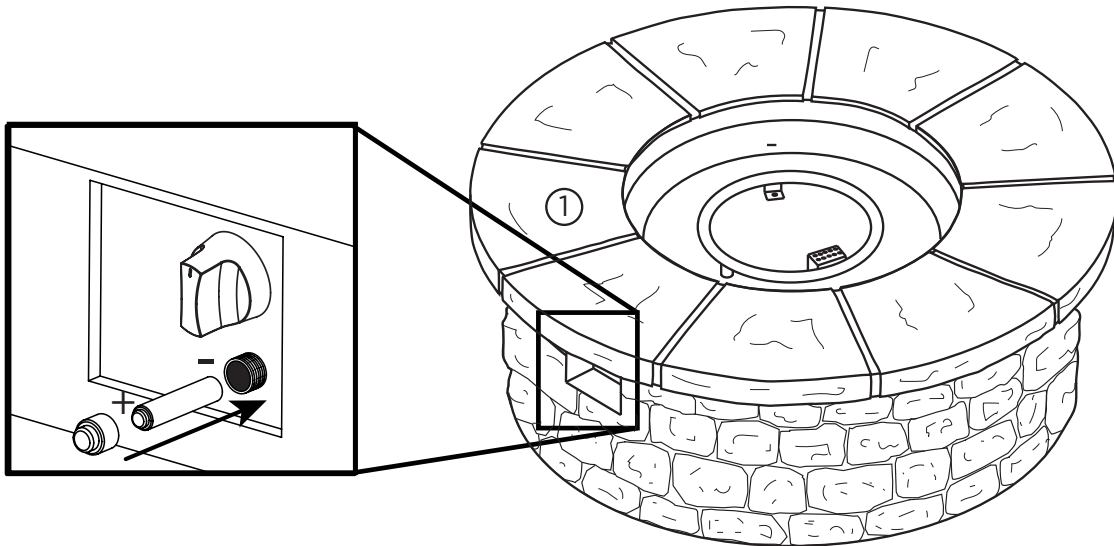
LISTE DES PIÈCES

①	Table-foyer	N/A	1	⑤	Régulateur et tuyau du gaz PL	100190000	1
②	Pierre de lave	118137100	1	⑥	Pieds	06000003	3
③	La batterie	N/A	1	⑦	Couvercle de protection	118100007	1
④	Assise du réservoir	100260000	1	⑧	Kit de conversion NG	00023109S	1



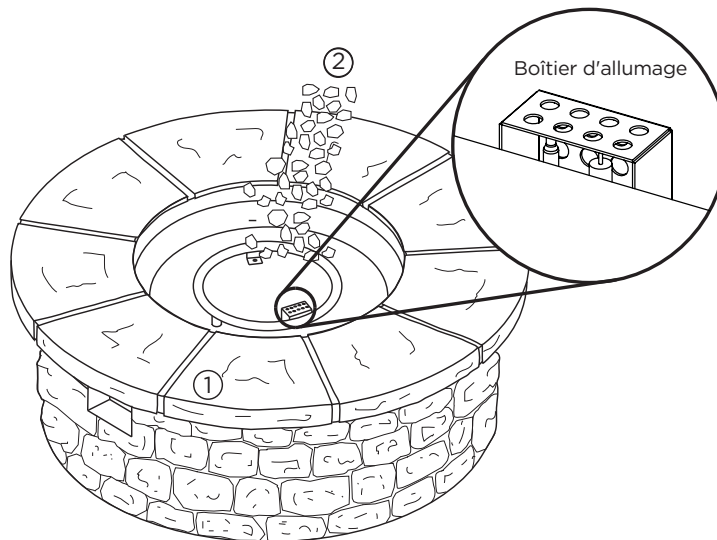
INSTRUCTIONS D'ASSEMBLAGE

1.) Installez la pile AAA comme indiqué sur le schéma ci-dessous



2.) Placez pierre volcanique à la main. Ne videz pas le sac sur la grille afin d'éviter de boucher le brûleur avec de la poussière. Placez le matériau de remplissage dans la zone de combustion jusqu'à 2,54 cm (1 po) au-dessus du brûleur. Assurez-vous de ne pas bloquer le boîtier de l'allumeur avec le matériau de remplissage pour assurer un allumage et un fonctionnement appropriés.

Si vous utilisez du verre concassé Real Flame suggère de placer une couche de pierre volcanique d'abord autour du brûleur puis d'ajouter du verre en plus pour améliorer l'écoulement d'air vers le brûleur.

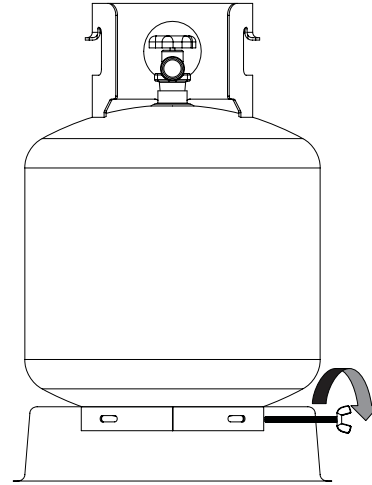
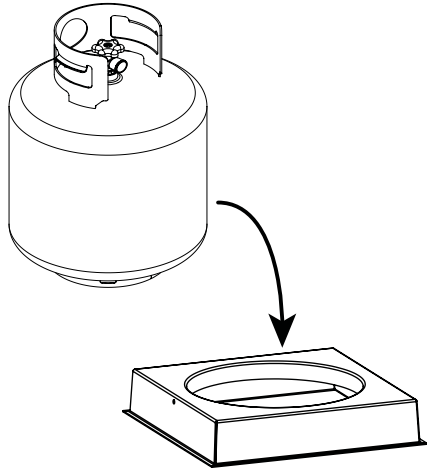


Avertissement concernant le verre concassé et la pierre comme produit de remplissage

1. Ne remplissez pas trop la zone du brûleur avec de la pierre ou du verre concassé; utilisez uniquement la quantité spécifiée. La profondeur du remplissage ne doit pas être supérieure à 2,54 cm (1 po) au-dessus du tube du brûleur. Seuls les produits de remplissage de Real Flame ont été certifiés et testés pour une utilisation sécuritaire avec cette table-foyer de Real Flame. L'utilisation d'un autre matériau de remplissage peut entraîner une augmentation des bruits et des craquements ou des émissions accrues de monoxyde de carbone.
2. N'allumez pas ou n'utilisez pas cette table-foyer si le matériau de remplissage est humide. Assurez-vous que le matériau de remplissage est complètement sec avant l'allumage. Une chaleur intense peut provoquer une explosion du matériau de remplissage humide et frapper quelqu'un et causer des blessures.
3. Tenez-vous à l'écart de table-foyer pendant au moins 20 minutes lors du démarrage initial car le matériau de remplissage pourrait conserver l'humidité de la fabrication et de l'expédition.

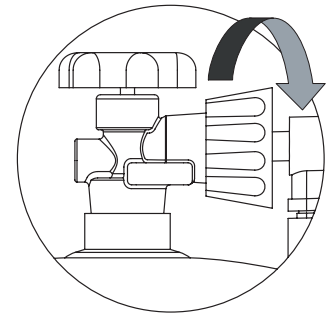
INSTRUCTIONS D'ASSEMBLAGE

3.) Placez le socle de la bonbonne sur le sol et placez une bonbonne de propane de 20 lb dans la zone désignée au centre. Une fois que la bonbonne est de niveau et stable, serrez la vis sur le côté du socle de la bonbonne pour fixer la bonbonne en place.



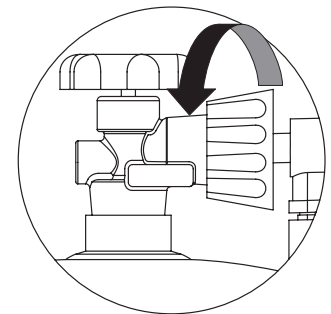
4.) Connectez la bonbonne de GPL
Avant la connexion, assurez-vous qu'il n'y a pas de débris dans le collier de la bonbonne de gaz, la vanne de régulation ou le brûleur et les orifices du brûleur.

Connectez la conduite de gaz à la bonbonne en tournant le bouton de connexion dans le sens des aiguilles d'une montre. Serrez à la main uniquement.



Pour débrancher la bonbonne de GPL, assurez-vous que la vanne de la bonbonne de GPL est complètement fermée.

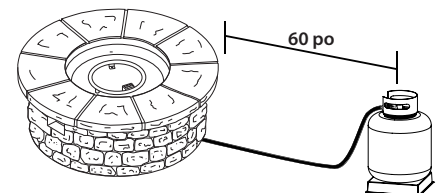
Débranchez le bouton de connexion en le tournant dans le sens inverse des aiguilles d'une montre jusqu'à ce qu'il soit détaché de la vanne.



AVERTISSEMENT

Placez la bonbonne de GPL à 1,4 m (60 po) de la table-foyer et placez le tuyau à l'écart des voies ou des endroits où il pourrait être endommagé.

Faites attention en vous déplaçant entre la bonbonne et la table-foyer. Veillez à ne pas vous enfarger dans le tuyau.



INSTRUCTIONS AVANT L'UTILISATION

AVERTISSEMENT

Avant d'utiliser cette table-foyer, assurez-vous d'avoir lu, compris et suivi toutes les informations fournies dans ce manuel. Le non-respect de ces instructions pourrait causer des dommages matériels, des blessures graves ou la mort.

Vérification des fuites

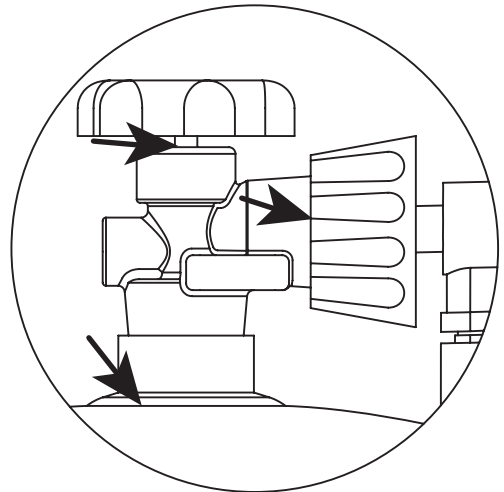
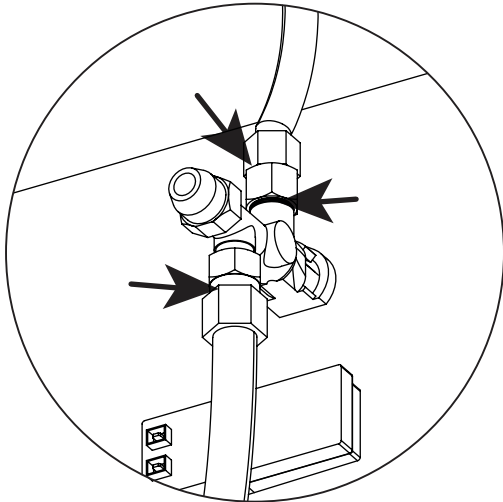
Faites une solution de vérification des fuites en mélangeant une part de savon à vaisselle avec trois parts d'eau dans une bouteille de vaporisation.

Assurez-vous que le bouton de commande sur la table-foyer est en position ÉTEINT, puis connectez votre table-foyer à la bonbonne de GPL et allumez la vanne de la bonbonne.

Pulvérisez la solution de fuite sur les connexions de la vanne, en accordant une attention particulière aux zones indiquées dans les diagrammes ci-dessous par des flèches.

Si des bulles apparaissent, fermez la vanne de la bonbonne, débranchez la bonbonne et inspectez toutes les connexions, en vous assurant que les tuyaux ne contiennent pas de débris. Rebranchez la bonbonne de GPL et vérifiez de nouveau. Si vous continuez à voir des bulles, éteignez la bonbonne de GPL, déconnectez-la et appelez Real Flame au 1-800-654-1704 pour obtenir de l'assistance.

Si aucune bulle n'apparaît après une minute, essuyez la solution de fuite excédentaire et passez à l'étape suivante.

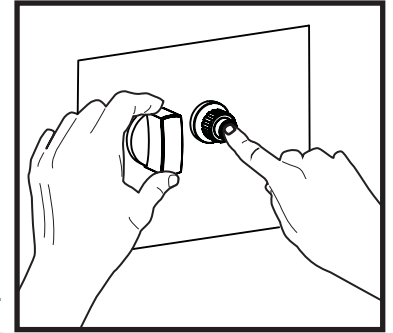


Prêtez une attention particulière aux zones indiquées par les flèches

INSTRUCTIONS D'ALLUMAGE

Utilisation de l'allumeur

1. Lisez et comprenez toutes les instructions d'utilisation avant d'allumer.
2. Avant de commencer, assurez-vous que le bouton de commande est en position ÉTEINT.
3. Connectez votre bonbonne de propane (voir pages précédentes).
4. Ouvrez lentement la vanne sur votre bonbonne de GPL.
5. Préparez-vous à allumer votre table-foyer en plaçant une main sur le bouton de commande et une main sur le bouton d'allumage (comme indiqué sur le schéma à droite). Ne vous appuyez PAS sur une partie du brûleur et vérifiez que la zone autour du brûleur est exempte de risques.
6. Appuyez et maintenez enfoncé l'allumeur, vous devriez entendre un cliquetis.
7. Tout en maintenant l'allumeur enfoncé d'une main, utilisez votre autre main pour pousser et tourner le bouton de commande sur la position ALLUMÉ.
8. Une fois que le brûleur s'allume, relâchez l'allumeur, mais continuez à maintenir le bouton de commande enfoncé pendant 15 à 30 secondes.
9. **AVERTISSEMENT** : Si l'allumage ne se produit pas en 30 secondes, tournez le bouton de commande sur la position « ÉTEINT » et éteignez le gaz à sa source. Assurez-vous qu'il n'y a pas de source d'inflammation autour de la table-foyer et attendez au moins cinq minutes jusqu'à ce que le gaz se soit dissipé pour répéter la procédure d'allumage. Si vous ne le faites pas, vous risquez de générer un grand retour de gaz accumulé, causant des dommages aux biens ou des blessures.
10. Après avoir réussi à allumer la table-foyer, relâchez le bouton de commande et tournez-le au réglage BAS. Observez la flamme et assurez-vous que tous les orifices de brûlage sont allumés.
11. Réglez la flamme à la hauteur désirée en utilisant le bouton de commande.



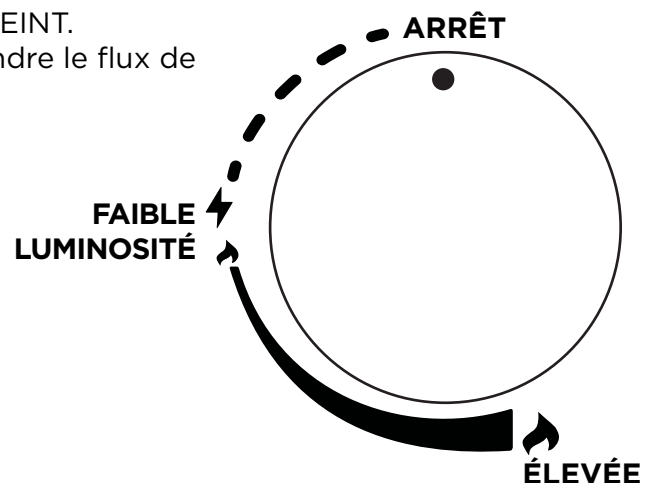
Hauteur de la Flamme



8-14 po
20,3-35,5 cm

Instructions d'arrêt

1. Tournez le bouton de commande sur la position ÉTEINT.
2. Fermez la vanne de la bonbonne de GPL pour éteindre le flux de gaz.



ENTRETIEN ET NETTOYAGE

Inspectez votre table-foyer

AVERTISSEMENT

N'inspectez PAS, ne nettoyez pas, ne déplacez pas ou n'entreposez votre table-foyer jusqu'à ce que les flammes soient complètement éteintes et que toutes les pièces soient froides au toucher.

Votre table-foyer doit être inspectée régulièrement pour s'assurer qu'elle est utilisable en toute sécurité et pour prolonger la durée de vie de ses pièces.

Pour inspecter votre table-foyer, procédez comme suit.

1. Assurez-vous que toutes les pièces sont bien fixées en place. Si une pièce se déplace lorsqu'elle est touchée, vérifiez ses points de connexion pour voir s'ils sont lâches.
2. Vérifiez toutes les connexions pour les fuites en utilisant la méthode de vérification des fuites décrite dans la section « Vérifier l'absence de fuites » de ce manuel.
3. Vérifiez le système d'allumage en appuyant sur le bouton de l'allumeur et en vérifiant qu'une étincelle est générée dans le boîtier de l'allumeur.
4. Vérifiez visuellement tous les composants pour détecter tout signe de dégâts, de rouille ou d'usure excessive.
5. Si des dommages ou des fuites de toute nature sont trouvés, N'utilisez PAS la table-foyer jusqu'à ce que les réparations appropriées aient été effectuées.

AVERTISSEMENT

NE modifiez PAS cet appareil. C'est dangereux et ça annulera la garantie.

Les réparations et les modifications doivent être approuvées par Real Flame et complétées par un technicien professionnel du gaz.

Cette table-foyer a été testée et certifiée par une agence de certification tierce en fonction de ses pièces spécifiques et uniques. L'installation de toute autre pièce annulera à la fois la certification et la garantie. Pour les pièces de rechange approuvées, contactez Real Flame à : 1-800-654-1704

Entretien et nettoyage

Après une utilisation répétée, une légère décoloration ou une altération de la finition de la table-foyer peut se produire. Votre table-foyer doit être nettoyée régulièrement pour assurer une utilisation sécuritaire et prolonger sa vie.

Nettoyage général

Faites une solution de nettoyage à l'aide d'un savon doux mélangé à de l'eau. Utilisez un chiffon doux pour essuyer les surfaces extérieures et rincer à l'eau propre. N'utilisez jamais de produits de nettoyage ou de solvants abrasifs, car ceux-ci endommageraient la table-foyer.

Brûleur

Le brûleur doit être maintenu propre pour assurer un bon fonctionnement. Les orifices de brûlage obstrués peuvent être débloqués avec un trombone ou une épingle. Les débris à l'intérieur brûleur peuvent être enlevés à l'aide d'air comprimé ou d'une brosse à tuyau.

Suie

Après l'utilisation, il est possible que la suie se développe sur certaines surfaces, ce dépôt de suie se décompose habituellement avec de l'eau et du savon doux.

Entreposage

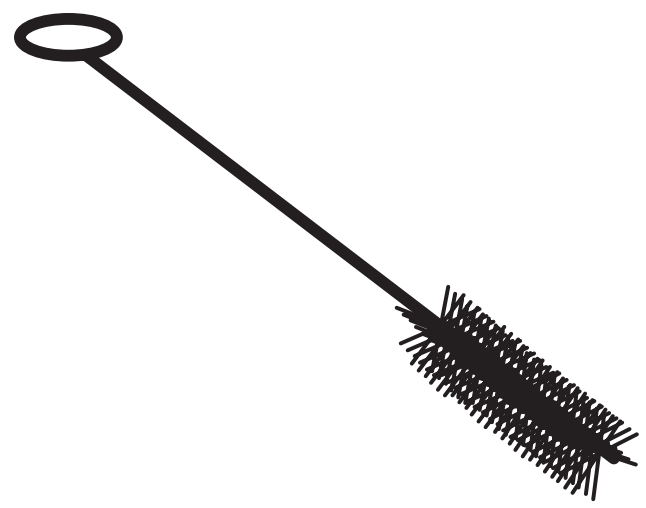
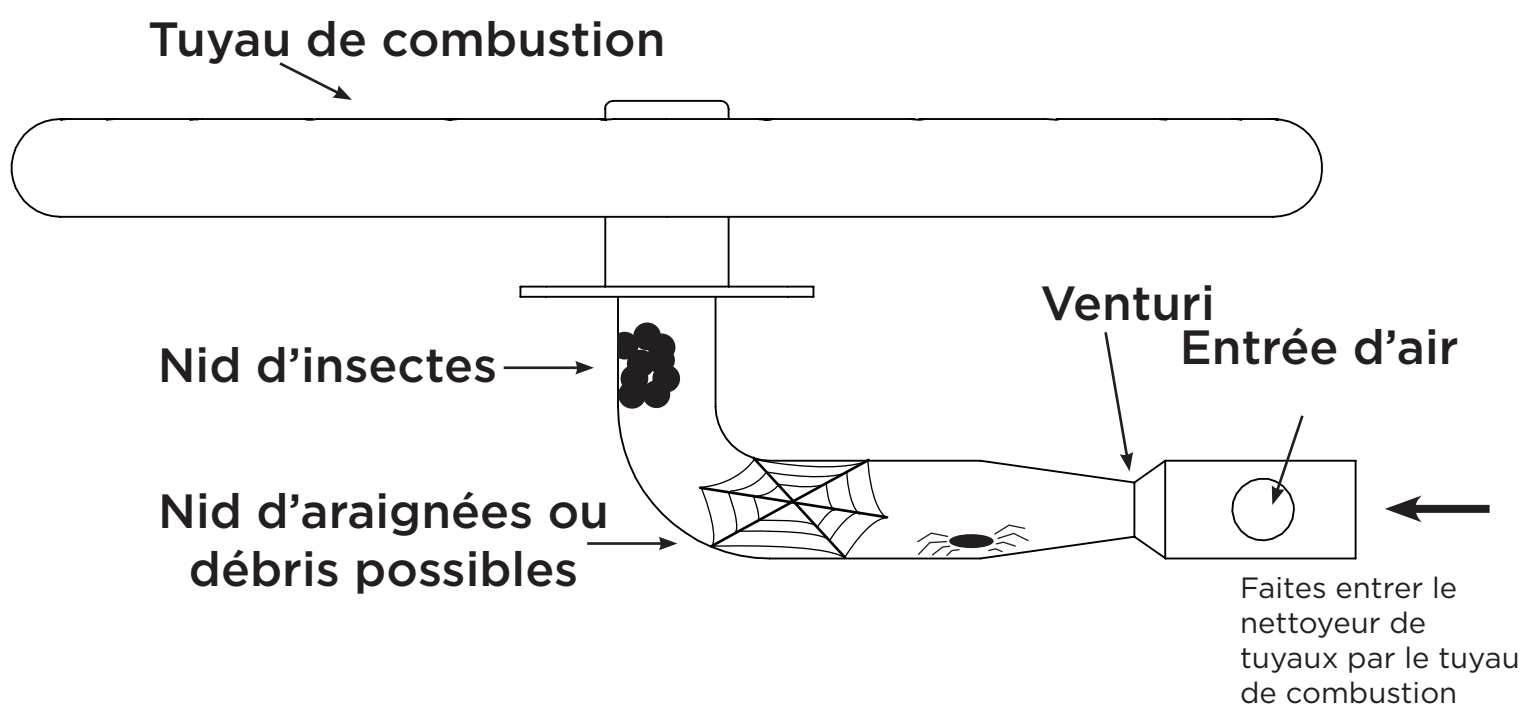
1. Éteignez l'alimentation en gaz au niveau de la bonbonne. Retirez la bonbonne et rangez-la dans un endroit frais et sec, à l'extérieur et à l'écart des enfants.
2. Serrez tout le matériau de remplissage ou les pièces détachées.
3. Retirez la batterie de la boîte d'allumage.
4. Couvrez votre table-foyer quand elle ne sera pas utilisée. La couverture du foyer aidera à protéger les composants internes contre la saleté et les débris, empêchant l'accumulation de l'eau sur les surfaces et empêchant la finition de se ternir et de se décolorer.
5. Rangez la table-foyer dans un endroit frais et sec, loin des enfants et des animaux domestiques.

AVERTISSEMENT CONCERNANT LES ARAIGNÉES ET LES INSECTES

Les araignées ou d'autres insectes peuvent construire des toiles ou des nids dans votre tuyau de table-foyer, ce qui peut entraver ou bloquer le flux de gaz.

Une partie du gaz peut revenir dans le tuyau de combustion et provoquer un retour en arrière (un feu dans le tube de combustion ou sous la table-foyer) qui pourrait entraîner des dommages corporels ou matériels. Vérifiez et nettoyez périodiquement le tuyau de combustion à l'aide d'une brosse à tuyaux (comme indiqué ci-dessous) disponible dans n'importe quelle quincaillerie.

Exemple de tuyau de combustion typique exact pour votre brûleur peut varier



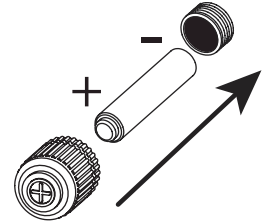
Exemple de brosse de nettoyage de tuyaux disponible dans les quincailleries locales.

CONSEILS ET DÉPANNAGE

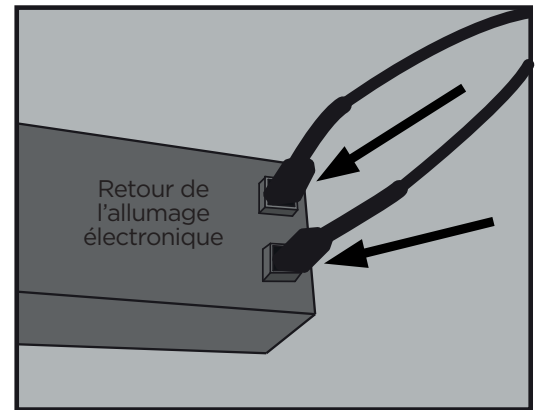
Si la table-foyer ne s'enflamme pas

Si le système d'allumage fonctionne correctement, vous devez entendre un clic lorsque le bouton de l'allumeur est enfoncé et vous devriez voir une étincelle dans le boîtier de l'allumeur. Si vous ne voyez pas l'étincelle ou que vous entendez un clic, vérifiez les points suivants.

1. Assurez-vous que la batterie n'est pas morte et qu'elle est correctement installée, le côté positif (+) étant orienté vers l'extérieur.



2. Si vous n'entendez toujours pas un cliquetis ou que vous voyez une étincelle dans le boîtier de l'allumeur, regardez sous la table-foyer et assurez-vous que le fil de l'électrode est correctement inséré à l'arrière de la boîte d'allumage électronique. Lors de l'inspection du fil de l'électrode, assurez-vous qu'il n'est pas coupé ou cassé dans aucun endroit. Si le fil a été endommagé, contactez Real Flame au 1-800-654-1704 pour un remplacement.

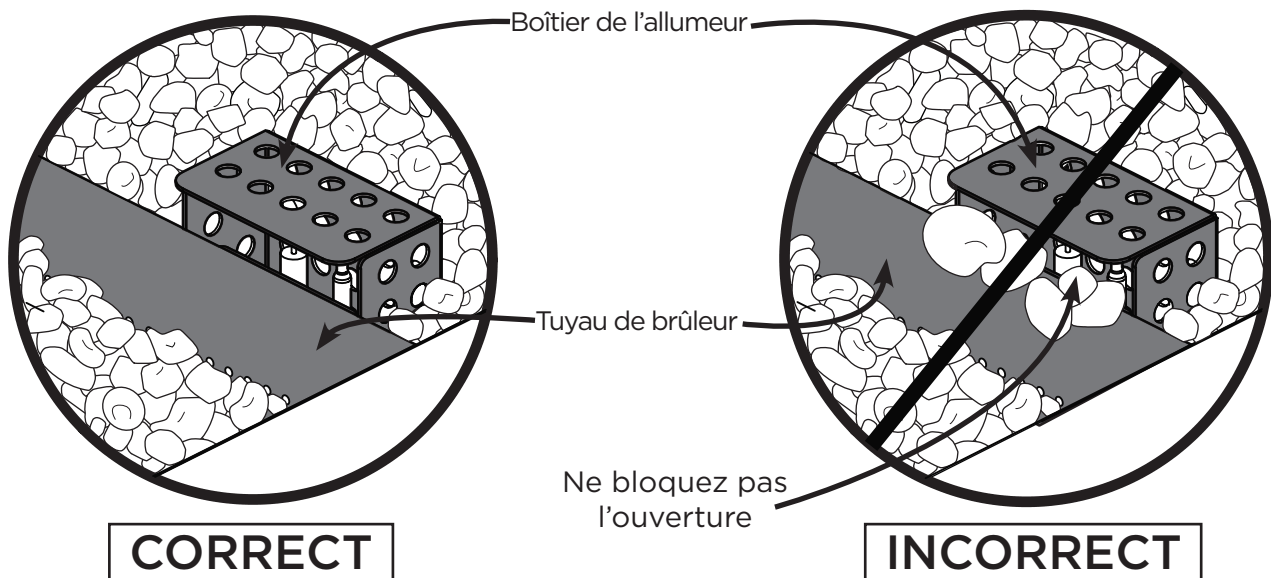


3.) Si vous entendez un cliquetis mais ne pouvez pas voir une étincelle dans le boîtier de l'allumeur, regardez sous la table-foyer. Vérifiez entre la connexion du fil de l'électrode à l'arrière de l'allumage électronique et le point de connexion au niveau du moule de combustion. Si vous voyez une étincelle n'importe où sous la table-foyer, cherchez des dommages au fil ou une connexion incomplète à ce point. Si le fil a été endommagé, contactez Real Flame au 1-800-654-1704 pour un remplacement.

Si la table-foyer ne reste pas allumée

Si la table-foyer s'allume, mais ne reste pas allumée, ou reste allumée seulement pour une brève période, vérifiez les points suivants.

1. Assurez-vous que le boîtier de l'allumeur n'est pas obstrué. Éliminez tout matériau de remplissage ou débris sur le boîtier et assurez-vous qu'il n'y ait rien entre la broche d'allumage et le thermocouple.



CONSEILS ET DÉPANNAGE

Si la table-foyer ne reste pas allumée (Suite)

Assurez-vous que le thermocouple et l'électrode sont correctement positionnés.

Le boîtier de l'allumeur a été retiré de l'illustration vers la droite pour mieux afficher le positionnement; cependant, vous devriez pouvoir parcourir les ouvertures du boîtier de l'allumeur pour vérifier celui-ci sans l'enlever.

Thermocouple - La pointe du thermocouple doit être située à proximité du brûleur, alignée avec une orifice de brûlage afin que les flammes soient en contact direct. Assurez-vous que les flammes entrent en contact avec la pointe du thermocouple.

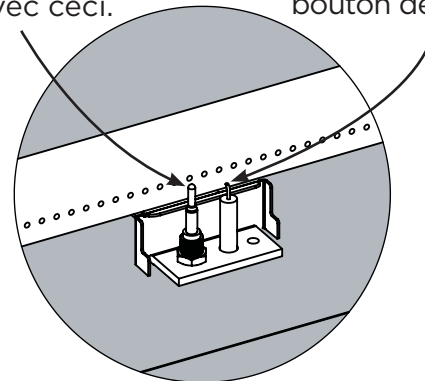
Électrode - L'électrode est l'endroit où l'étincelle est générée pour allumer votre table-foyer. Assurez-vous que vous pouvez voir cette étincelle lorsque le bouton de l'allumeur est enfoncé.

Thermocouple endommagé

Si le boîtier de l'allumeur et l'extrémité du thermocouple sont exempts de débris et que la flamme est en contact clairement avec la pointe du thermocouple, mais la table-foyer ne reste pas allumée, le thermocouple peut être endommagé. Regardez sous la table-foyer et trouvez le fil de thermocouple en cuivre qui sort de l'arrière de la vanne. Examinez la longueur de celui-ci pour tout signe de dommage. Des coudes, des plis ou des dégâts peuvent varier en fonction du bon fonctionnement du thermocouple. Si vous rencontrez des dommages au contact du thermocouple, contactez Real Flame au 1-800-654-1704 pour un remplacement.

Thermocouple
Assurez-vous que la flamme est en contact avec ceci.

Électrode
Vous devriez voir cette étincelle lorsque vous appuyez sur le bouton de l'allumeur.



Boîtier d'allumeur retiré pour la visibilité

Autres problèmes communs

Brûleur bouché ou obstrué

Il est courant pour les insectes, en particulier les araignées, de faire des toiles ou des nids à l'intérieur des tuyaux de brûleur. S'il semble que vous obtenez un flux de gaz faible ou nul, vérifiez visuellement toutes les ouvertures du brûleur pour détecter les signes d'obstruction. Si vous voyez quelque chose obstruant le brûleur essayez d'utiliser de l'air comprimé pour enlever les débris.

Panne de gaz

Assurez-vous que votre bonbonne n'est pas vide. Les bonbonnes presque vides peuvent entraîner des flammes plus faibles.

Températures froides

Les températures froides à l'extérieur peuvent entraîner une baisse des pressions de la bonbonne entraînant une baisse des flammes. N'utilisez pas votre table-foyer dans des conditions de température extrêmes. Laissez la température de votre bonbonne augmenter et à mesure que la pression dans le réservoir augmente, la taille de la flamme augmentera. NE chauffez JAMAIS votre réservoir; permettez lui de se réchauffer naturellement.

Vents forts

Votre table-foyer est conçue pour fonctionner dans des vents allant jusqu'à 10 km/h. Des vents forts peuvent éteindre la flamme. N'utilisez pas votre table-foyer en présence de vents forts.

Si vous continuez à avoir des problèmes avec votre table-foyer, veuillez contacter le service à la clientèle de Real Flame au : 1-800-654-1704

LISTE DES PIÈCES TECHNIQUES

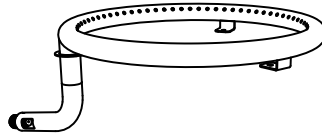
Boîtier d'Allumage
100280027



Soupape
100370000



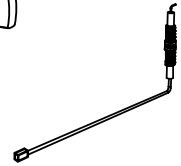
Tuyau du brûleur
100360000



Thermocouple
100210000



Bouton de
commande
100200000

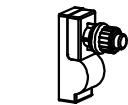
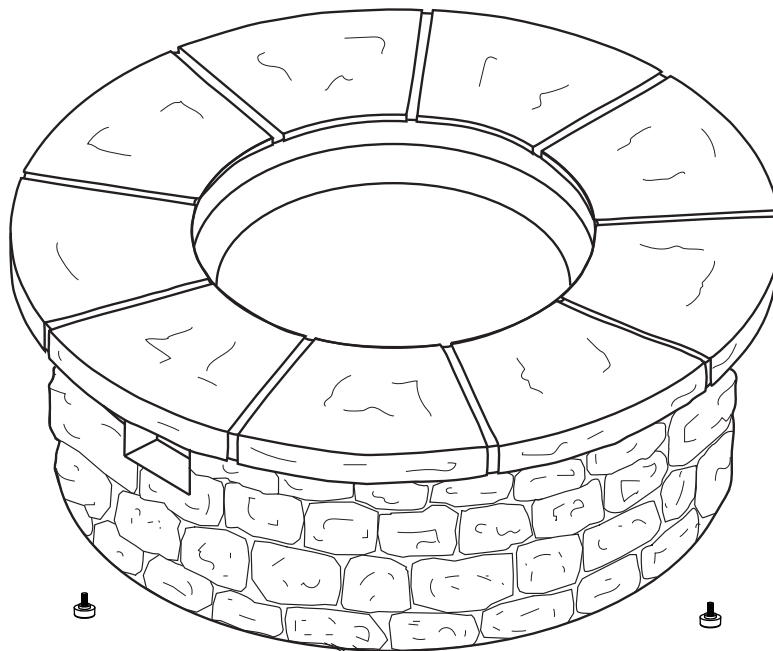


Electrode d'allumage
100380001

Soufflet (CSST)
100370006



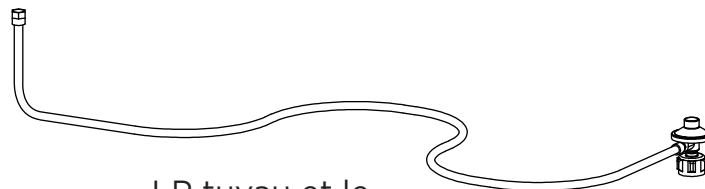
Orifice
100370002



Allumage
Électronique
100220000

Pieds
06000003

LP tuyau et le
régulateur
100190000



GARANTIE ET POLITIQUES DE RETOUR

Garantie

La société Real Flame® garantit que les foyers et les accessoires de Real Flame sont exempts de défauts de pièces en utilisation normale et de service pendant une période de 1 an à compter de la date d'achat et exempts de problèmes de finition pour une période de 1 an à compter de la date d'achat. En cas de tels défauts, Real Flame remplacera, à son gré, le produit défectueux ou remboursera le prix de l'achat. Ce qui précède est le remède exclusif et Real Flame décline toutes les autres garanties, y compris toute garantie implicite de qualité marchande ou de conditionnement physique à des fins particulières. En outre, Real Flame ne sera pas responsable des dommages consécutifs qui excèdent le prix d'achat du produit sur lequel cette responsabilité est fondée.

Politique de retour

Vous pouvez retourner votre achat dans les 90 jours suivant la réception. Il n'y aura aucun remboursement pour de renvois incomplets ou non autorisés. Tous les produits retournés doivent être à 100 % complets, emballé d'une manière adéquate, dans l'emballage original et dans une condition revendable. Les produits qui ont été assemblés ou modifiés ne seront pas admissibles au retour. Tous les éléments doivent être retournés dans leur intégralité, ce qui signifie que tous les éléments inclus doivent être retournés ensemble. Aucuns échanges ou retours pour les articles retirés. Commencez le processus de retour en contactant le magasin ou l'entreprise où vous avez acheté votre article Real Flame.

Pièces de rechange

Dans le cas où un article a été perdu ou détérioré, soit par le fabricant ou pendant le transport, vous pouvez solliciter une pièce de rechange. Les pièces de rechange ne sont pas disponibles pour toutes les unités et sont donnés à la discrétion de Real Flame. Nous évaluerons tout dommage et trouverons une solution, ce qui pourrait inclure la livraison de votre remplacement. On ne peut pas remplacer les articles retirés ou les produits remballés (emballage ouvert). S'il vous plaît appelez le Service à la clientèle de Real Flame 800-654-1704 pour les pièces de rechange avant de retourner l'article endommagé. Veuillez avoir les informations suivantes (qu'on peut trouver dans le manuel d'utilisation) à portée de main avant d'appeler le Service à la clientèle.

- Numéro de modèle de l'élément
- Numéro de référence à 4-8 chiffres
- Numéro de code de lot
- Adresse de livraison
- Une photo de l'article endommagé peut être demandée. Les images doivent être envoyées à custserv@realflame.com

Commande incorrecte reçue

Si vous avez reçu quelque chose d'autre que ce que vous avez commandé, veuillez contacter le Service à la clientèle de Real Flame sur 800-654-1704 dans un délai de 48 heures après avoir reçu l'article. Veuillez vous référer à www.Realflame.com pour nos directives et nos politiques de retour complètes.

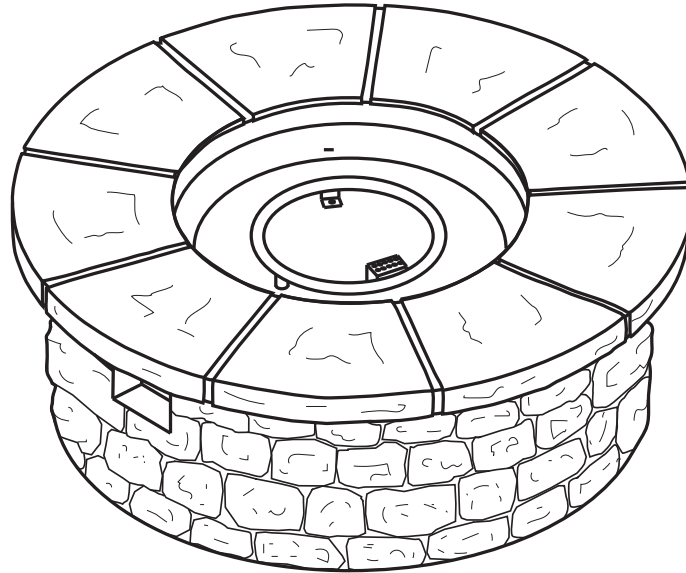
Veuillez vous référer à www.Realflame.com pour nos directives et nos politiques de retour complètes.

Real Flame®
7800 Northwestern Ave.
Racine, WI 53406

Service à la clientèle : 1-800-654-1704 aux États Unis
Service à la clientèle : 1-800-363-6443 au Canada
custserv@realflame.com



realflame[®]
fireplaces



C11810LP Sedona
Manual del hogar de la mesa de fuego

⚠️ ADVERTENCIA

Para uso sólo en exteriores.

⚠️ ADVERTENCIA

No almacene ni use gasolina u otros líquidos inflamables en las cercanías de este o de cualquier otro artefacto.

Un cilindro de PL no conectado para el uso no debe ser almacenado cerca de este o de cualquier otro artefacto.

⚠️ PELIGRO

Si siente olor a gas:

- Desconecte el gas del artefacto.
- Extinguir cualquier llama abierta.
- Si el olor continúa, manténgase alejado del artefacto y llame inmediatamente a su proveedor de gas o al departamento de bomberos.

⚠️ ADVERTENCIA

La instalación, ajuste, alteración, servicio o mantenimiento incorrectos pueden causar lesiones o daños a la propiedad.

Lea atentamente las instrucciones de instalación, operación y mantenimiento antes de instalar o reparar este equipo.



ÍNDICE

Información importante de seguridad	3
Peligros y advertencias relativos a gas	5
Lista de partes	6
Instrucciones de montaje	7
Instrucciones de pre-uso	9
Instrucciones de encendido	10
Cuidado y limpieza	11
Advertencia de arañas e insectos	12
Consejos y solución de problemas	13
Lista técnica de partes	15
Garantía	16



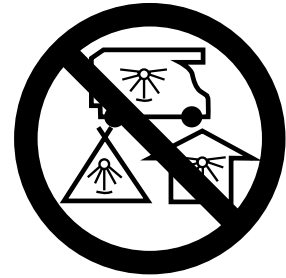
PELIGRO

PELIGRO DE MONÓXIDO DE CARBONO

Este artefacto puede producir monóxido de carbono que no tiene olor.

Usarlo en un espacio cerrado puede poner la vida en peligro.

Nunca utilice este artefacto en un espacio cerrado, como un campamento, tienda, automóvil o el hogar.



ESPECIFICACIONES

Nombre del producto
Fogón Sedona

Tipo de gas
Propano (PL)

Nro de modelo
C11810LP

Alimentación a gas
Cilindro de gas PL de 20 lb

Salida de calor nominal
65,000 BTUs/hr

INFORMACIÓN IMPORTANTE DE SEGURIDAD

Notas de instalación

- Distancia mínima de la unidad a los materiales combustibles: 48" (121,9 cm) de todos lados y parte trasera. No coloque el fogón debajo de ninguna estructura o vegetación. No lo coloque sobre ningún material combustible.
- Guarde estas instrucciones para referencia futura. Si está instalando esta unidad para otra persona, entréguele este manual para que lo lea y lo guarde como referencia futura.
- Si la información contenida en este manual no se observa estrictamente, puede producirse un incendio o una explosión, causando daños materiales, lesiones personales o pérdida de vidas.
- La instalación y el servicio deben ser realizados por un instalador, una agencia de servicios o un proveedor de gas certificados. Real Flame recomienda el uso de profesionales certificados por el National Fireplace Institute® (NFI) como Especialistas en Gas NFI.
- La presión normal de entrada de PL de este artefacto es de 11,0" W.C. (2,74 kPa), la presión máxima de entrada es de 13,0" W.C. (3,23 kPa), la presión mínima de entrada es de 8" W.C. (1,99 kPa).
- Si este fogón fue convertido a gas natural, la presión de entrada normal de este producto es de 7,0" W.C. (1,74 kPa), la presión máxima de entrada es de 10,5" W.C. (2,61 kPa), la presión mínima de entrada es de 3,5" W.C. (0,87 kPa).
- No remueva los pies del fogón.
- No coloque el fogón sobre nada que bloquee o obstruya el espacio entre el fogón y el suelo.
- No fije de forma permanente el fogón de ninguna manera ni a ninguna superficie.
- No entierre la manguera. Debe ser capaz de inspeccionar visualmente la manguera para verificar la existencia de daños antes de cada uso.
- No enrolle ni oculte la manguera debajo del fogón. La manguera podría dañarse si toca superficies calientes.

Advertencias Generales

- **Niños y adultos deben ser alertados en relación a los peligros de altas temperaturas superficiales y deben permanecer alejados para evitar quemaduras o que la ropa se encienda.**
- **Los niños pequeños deben ser vigilados cuidadosamente cuando están en la zona de influencia del artefacto.**
- **Ropa u otros materiales inflamables no deben colgarse del artefacto ni colocados en o cerca del mismo.**
- **Antes de poner en funcionamiento el artefacto, deberá reponerse cualquier protector o dispositivo de protección que haya sido retirado del artefacto para su mantenimiento.**
- **La instalación y reparación deben ser realizadas por parte del personal de servicio cualificado. El fogón debe ser inspeccionado antes del uso y por lo menos una vez al año por una persona calificada para ese servicio. Se puede requerir una limpieza más frecuente según sea necesario. Es imperativo que el compartimiento de control, los quemadores y conductos de aire circulante del artefacto se mantengan en buenas condiciones de limpieza.**
- No almacene ni utilice gasolina ni otros vapores o líquidos inflamables dentro de una distancia de 25 pies (7,62 m) de este o de cualquier otro artefacto.
- No almacene materiales combustibles en el compartimiento del fogón. Esto incluye los tanques de PL. Si el fogón está diseñado para usar un tanque de PL oculto, el tanque de PL debe estar adecuadamente montado en el soporte del tanque designado debajo del fogón. No almacene tanques de PL adicionales debajo del fogón.
- Asegúrese de proteger la manguera y sus componentes fuera del alcance de cualquier superficie caliente. Es peligroso permitir que la manguera entre en contacto con cualquier superficie caliente.
- Si utiliza el fogón con un tanque de PL, el tanque nunca debe ser operado o almacenado sobre un lateral o de cabeza para abajo.

INFORMACIÓN IMPORTANTE DE SEGURIDAD

Advertencias generales (Cont.)

- Mantenga limpias todas las partes del fogón incluyendo el conjunto de quemador y manguera. Para obtener más información sobre la limpieza del fogón, consulte la sección “Cuidado y limpieza” de este manual.
- No use este artefacto si alguna de sus partes estuvo debajo del agua. Llame inmediatamente a un técnico de servicio calificado para inspeccionar el fogón y substituir cualquier parte o sistema de control y cualquier control de gas que haya estado debajo del agua.
- NO use este fogón para cocinar.
- NO vierta agua en el fogón.
- NO intente mover ni guardar el fogón hasta que todas las partes estén frías.
- Siempre cierre el suministro de gas y desconecte la manguera cuando el fogón no esté en uso.
- Cualquier alteración de este fogón de exteriores que no esté específicamente detallada en el manual de operaciones anulará la garantía del fabricante. Esto incluye el uso de materiales de relleno no aprobados.

Advertencias de instalación

- Antes de cada operación, compruebe que no haya evidencias de abrasión o desgaste excesivo de la manguera. Utilice un espejo de mano para ver las secciones de la manguera ubicadas debajo de la unidad.
- Si la manguera está dañada, agrietada o con cortes, debe ser reemplazada antes de usar el fogón. El conjunto de la manguera sólo puede ser reemplazado por un conjunto de manguera especificado por Real Flame. Llame al 1-800-654-1704 para obtener ayuda.
- Coloque la manguera fuera del camino donde la gente pueda tropezar con ella. No coloque la manguera en áreas donde pueda sufrir daños accidentales.
- Antes de cada uso, examine el quemador y sus componentes para comprobar la existencia de suciedad y residuos. Si se requiere limpieza, utilice un cepillo de tuberías y una solución de agua y jabón. Examine también el área alrededor del quemador. Cualquier suciedad o material extraño, como por ejemplo telas de araña, nidos u hojas debe ser removido. Si es evidente que el quemador está dañado, no debe utilizarse el fogón, y el conjunto del quemador debe ser reemplazado. Comuníquese con Real Flame llamando al 1-800-654-1704 para obtener soporte técnico.
- No queme combustibles sólidos tales como: madera, briquetas de carbón, carbón vegetal, troncos manufacturados, madera balsa, basura, hojas, papel, cartón, madera enchapada, madera pintada o manchada o tratada a presión en este fogón de exteriores.

Advertencias durante el uso

- NUNCA DEJE este fogón desatendido cuando esté en uso.
- El abuso de alcohol, medicamentos recetados o no recetados, puede perjudicar la capacidad de un individuo para operar con seguridad este fogón.
- Utilice siempre de acuerdo con todos los códigos locales, estatales y nacionales aplicables. Póngase en contacto con su departamento local de bomberos para obtener detalles sobre fuegos al aire libre.
- NO USE en condiciones de viento. Los vientos de más de 10 mph pueden hacer que la llama se extinga.
- Algunas superficies de este fogón pueden calentarse durante el uso. Tenga cuidado y no toque esas superficies hasta que la unidad se haya enfriado.

PELIGROS Y ADVERTENCIAS RELATIVOS A GAS

Advertencias durante el uso (Cont.)

- No intente desconectar el suministro de gas del fogón cuando la unidad esté en uso.
- No se siente sobre el fogón.

Advertencias de gas PL

El gas PL es inflamable y peligroso si se maneja incorrectamente. Conozca sus características antes de usar cualquier producto alimentado con gas PL. La falta de atención y no seguir estas advertencias o cualquier instrucción o advertencias proporcionadas por su proveedor de PL puede producir daños a la propiedad, lesiones o la muerte.



PELIGRO

Un cilindro de PL nunca se debe colocar de lado. Hacerlo puede causar fugas de propano líquido. Esto podría causar una acumulación rápida de gas propano y podría causar daños a la propiedad, lesiones o la muerte.

Características del PL

- El gas PL es inflamable, explosivo bajo presión, más pesado que el aire, se asienta en piscinas y en áreas bajas. El gas acumulado puede encenderse causando un incendio o explosión que podría causar daños a la propiedad, lesiones o la muerte.
- En su estado natural, el propano no tiene olor. Para su seguridad, se agrega una sustancia odorífera.
- El contacto con el propano podría quemar su piel.

Información del tanque de PL

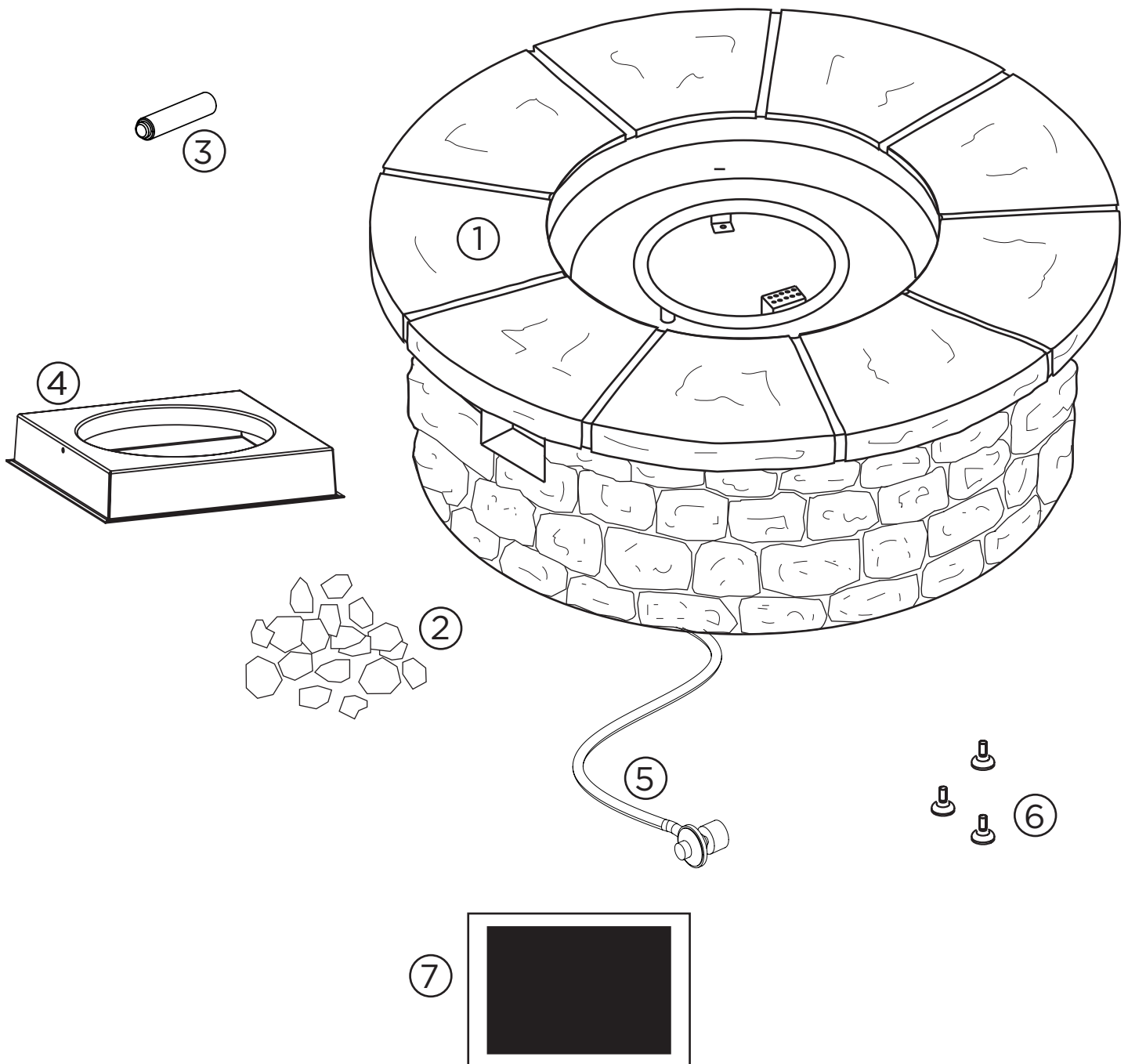
- Los cilindros de gas PL deben ser llenados solamente por un representante de gas PL certificado.
- Nunca use un cilindro de propano con un cuerpo, válvula, collar o pie dañados.
- Los cilindros de propano dañados u oxidados pueden ser peligrosos y deben ser verificados por su proveedor de gas propano.
- El tanque de suministro de gas PL debe estar construido y marcado de acuerdo con las especificaciones para tanques de gas PL del Departamento de Transporte de los Estados Unidos (DOT) o el Comité de Estándares de Canadá, CAN / CSA-B339, tanques, esferas y tubos de gas PL para el Transporte de Productos Peligrosos.
- El tanque de gas PL debe estar acondicionado para la extracción de vapor.
- El tanque de gas PL debe tener un dispositivo de prevención de sobrellenado (OPD) y una conexión de tanque de gas PL QCCI o Tipo I (CGA810).
- El cilindro de gas PL debe contener una válvula de cierre como se especifica en la normativa ANSI / CGA-V-1-1977, CSA B96, Conexión de entrada y salida de válvula de cilindro de gas comprimido.
- Nunca intente conectar este artefacto al sistema de gas PL autónomo de un remolque de campamento, casa o casa ambulante.
- Gire a mano la válvula de control de gas manual del tanque de PL. Nunca utilice herramientas. Si la válvula no gira a mano, no intente repararla. Llame a un técnico de gas certificado.
- El uso de la fuerza o cualquier intento de reparación por parte de un aficionado puede causar un incendio o una explosión.

Almacenamiento y seguridad del tanque de PL

- Los cilindros deben almacenarse al aire libre en un área bien ventilada fuera del alcance de los niños.
- Nunca almacene un cilindro de PL en un área cerrada como por ejemplo un cobertizo o un garaje. Se pueden producir fugas de gas en estas áreas que pueden dar lugar a una explosión.
- No almacene los tanques de gas PL cerca de ninguna fuente de llamas o ignición.
- Nunca guarde el tanque de gas PL donde las temperaturas puedan alcanzar los 125°F o más.
- Nunca guarde un tanque de gas PL lleno en un vehículo expuesto al calor o en el baúl del mismo. El calor hará que la presión del gas aumente, lo que puede abrir la válvula de alivio y permitir que el gas escape.
- Coloque la tapa anti polvo en la salida de la válvula siempre que el tanque de gas PL no esté en uso. Instale solamente el tipo de cubierta anti polvo a la salida de la válvula del tanque de gas PL, que se suministra con la válvula del tanque de gas PL. Otros tipos de cubiertas o tapones pueden provocar fugas de propano.
- El tanque de gas PL no debe caerse o manejarse bruscamente.

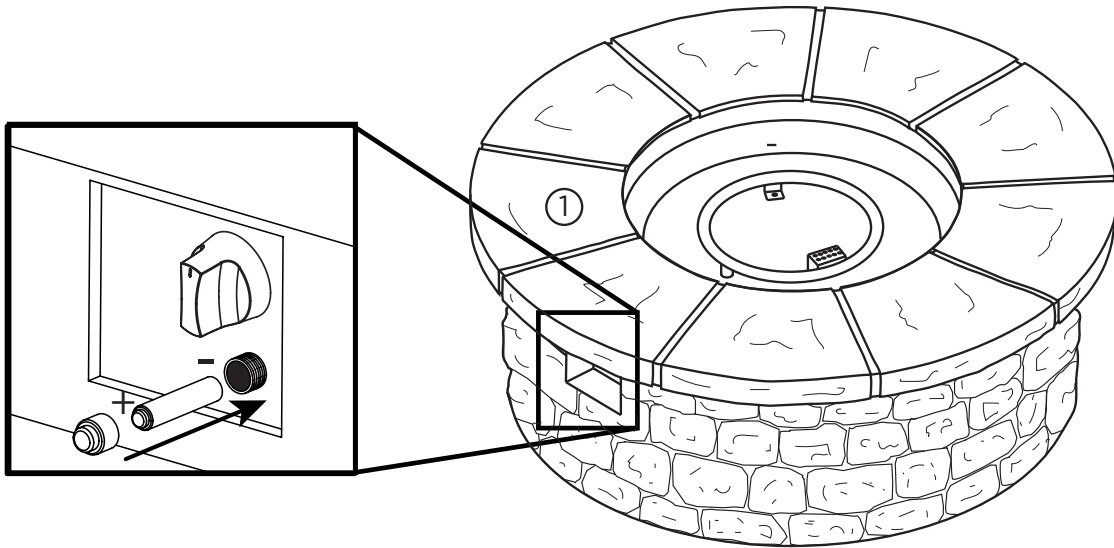
LISTA DE PARTES

①	Mesa de fuego	N/A	1	⑤	Manguera y regulador de LP	100190000	1
②	Roca volcánica	118137100	1	⑥	Patas	06000003	3
③	Batería	N/A	1	⑦	Cubierta de vinilo	118100007	1
④	Base del tanque	100260000	1	⑧	Kit de conversión de GN	00023109S	1



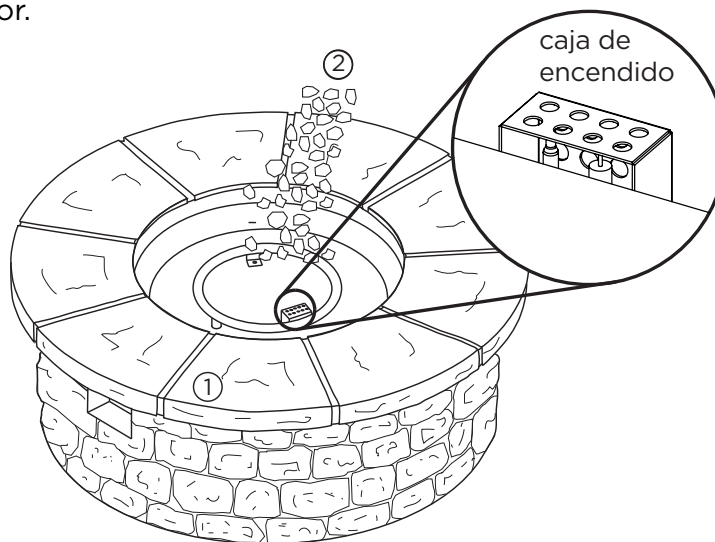
INSTRUCCIONES DE MONTAJE

1.) Instale la pila AAA como se muestra en el siguiente diagrama.



2.) Colocar roca de lava a mano. No vacíe la bolsa en el área del quemador, ni directamente sobre el quemador para evitar que el quemador se obstruya con polvo. Coloque el material de relleno a lo largo de la zona de encendido hasta alcanzar un nivel de una pulgada por encima del quemador. Asegúrese de que no se obstruya la carcasa del encendedor con relleno para garantizar el encendido adecuado.

Si utiliza el relleno de vidrio, Real Flame sugiere colocar una capa de roca de lava debajo primero, alrededor del quemador y luego añadir el vidrio por encima para mejorar el flujo de aire al quemador.

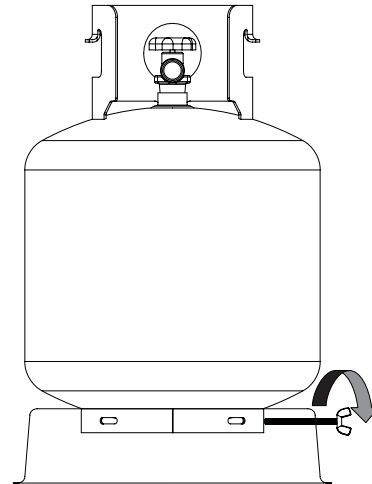
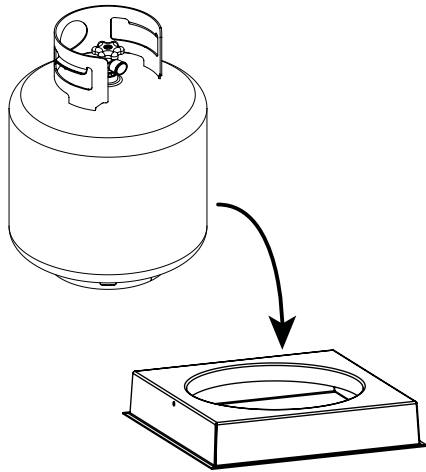


Advertencia de roca de lava y relleno de vidrio:

1. No llene excesivamente el área del quemador con relleno de rocas o vidrio; utilice sólo la cantidad especificada. La profundidad del relleno no debe tener más de una pulgada por encima del tubo del quemador. Sólo los productos de relleno Real Flame han sido certificados y probados para su uso seguro con el fogón de Real Flame. El uso de otros materiales de relleno puede producir un aumento de pequeñas explosiones y rajaduras o aumento de las emisiones de monóxido de carbono.
2. No encienda ni utilice el fogón si el relleno está húmedo. Asegúrese de que el relleno esté completamente seco antes de encender. El calor intenso puede hacer que el relleno húmedo explote e impacte en alguien causando lesiones.
3. Manténgase alejado del fogón durante al menos 20 minutos después del encendido inicial ya que el relleno podría retener algo de humedad proveniente de la fabricación y/o el envío.

INSTRUCCIONES DE MONTAJE

3.) Coloque el asiento del tanque en el suelo y coloque el tanque de propano de 20 libras en el área designada en el centro. Cuando el tanque esté nivelado y firme, apriete el tornillo en el lado del asiento del tanque para asegurar el tanque en su lugar.

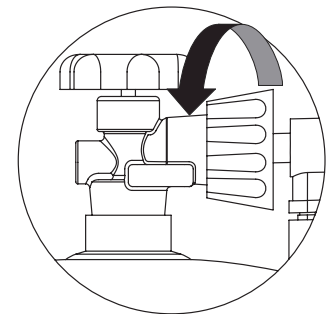
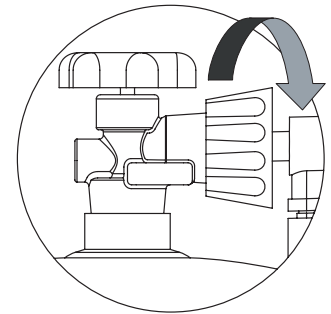


4.) Conecte el tanque de gas PL
Antes de la conexión, asegúrese de que no haya residuos atrapados en el collar del cilindro de gas, la válvula reguladora o en el quemador o en los puertos del quemador.

Conecte la línea de gas al tanque girando la perilla de conexión en el sentido de las agujas del reloj. Apriete solamente a mano.

Para desconectar el tanque de PL, asegúrese de que la válvula del tanque de gas PL esté completamente cerrada.

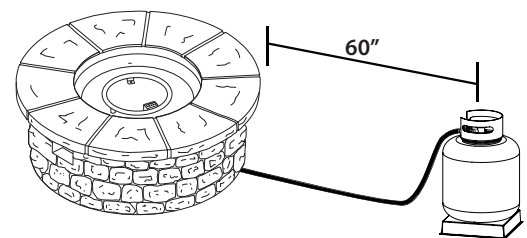
Desconecte la perilla de conexión girando en sentido contrario a las agujas del reloj hasta que se desprenda de la válvula.



ADVERTENCIA

Coloque el tanque de PL a 60" del fogón y ubique la manguera, lejos del camino o lugares donde become podría dañarse.

Tenga cuidado al moverse entre el tanque y el fogón. Tenga cuidado para no tropezar con la manguera.



INSTRUCCIONES DE PRE-USO

ADVERTENCIA

Antes de usar el fogón, asegúrese de haber leído, comprendido y seguido toda la información proporcionada en este manual. El incumplimiento de estas instrucciones puede ocasionar daños a la propiedad, lesiones graves o la muerte.

Verificar fugas

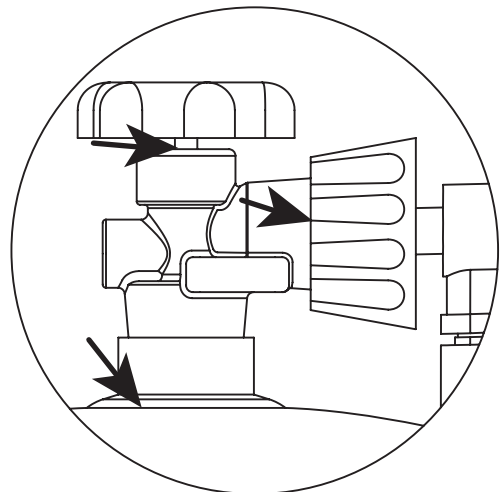
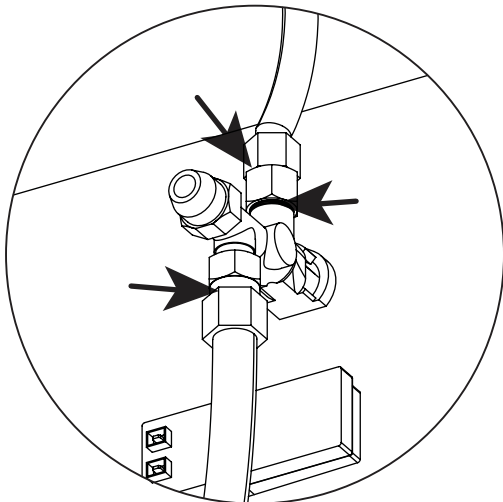
Prepare una solución para el control de fugas mezclando 1 parte de detergente/jabón lavavajillas con 3 partes de agua en una envase pulverizador.

Asegúrese de que la perilla de control esté en la posición CERRADO, luego conecte el fogón al tanque de gas PL y gire la válvula del tanque.

Rocíe la solución jabonosa en las conexiones de la válvula, prestando especial atención a las áreas indicadas por las flechas y los diagramas a continuación.

Si aparecen burbujas, cierre la válvula del tanque, desconecte el tanque e inspeccione todas las conexiones asegurándose de que las roscas de encuentran libres de residuos. Vuelva a conectar el tanque de PL y verifique nuevamente. Si continúa viendo burbujas, cierre el suministro de gas PL y llame a Real Flame al 1-800-654-1704 para obtener asistencia.

Si no aparecen burbujas después de un minuto, limpie el exceso de la solución jabonosa y continúe a la etapa siguiente.

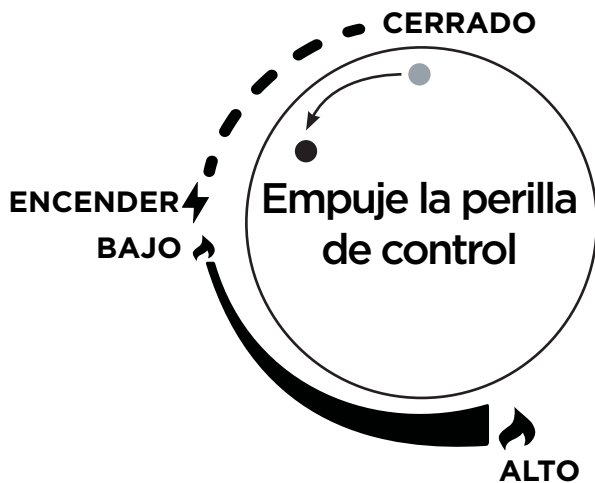
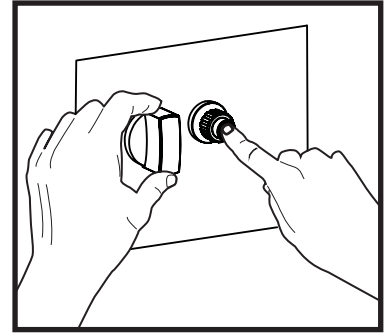


Preste mucha atención a las áreas indicadas por las flechas

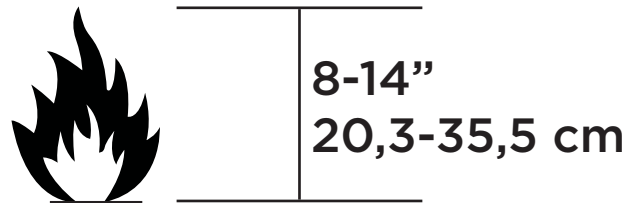
INSTRUCCIONES DE ENCENDIDO

Uso del encendedor

1. Lea y comprenda todas las instrucciones de funcionamiento antes de encender.
2. Antes de comenzar, asegúrese de que la perilla de control esté en la posición CERRADO.
3. Conecte el cilindro de propano (ver páginas anteriores).
4. Abra lentamente la válvula del cilindro de gas PL.
5. Prepárese para encender el fogón colocando una mano en la perilla de control y una mano en el botón de encendido (como se ve en el diagrama de la derecha). NO se incline sobre ninguna parte del quemador y verifique que el área alrededor del mismo esté libre de riesgos.
6. Presione y sostenga el encendedor, se debe escuchar un sonido de chasquidos.
7. Mientras sostiene el botón del encendedor con una mano, use la otra mano para empujar y girar la perilla de control a la posición ENCENDIDO.
8. Cuando el quemador se encienda, suelte el botón del encendedor, pero continúe manteniendo la perilla de control presionada durante 15-30 segundos.
9. **ADVERTENCIA:** Si el encendido no se realiza en 30 segundos, gire la perilla de control a la posición "CERRADO" y desconecte el gas. Asegúrese de que no existe una fuente de ignición alrededor del fogón y espere al menos cinco minutos hasta que el gas se haya despejado para repetir el procedimiento de encendido. Si no lo hace, podría producirse una llamarada debida al gas acumulado, causando daños a la propiedad o lesiones.
10. Después de encender con éxito el fogón, suelte la perilla de control y gírela a la posición BAJO. Observe la llama, asegúrese de que todos los puertos del quemador estén encendidos.
11. Ajuste la llama a la intensidad deseada mediante la perilla de control.

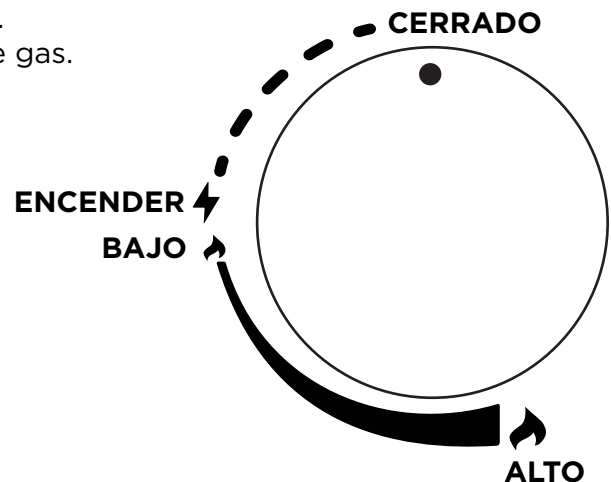


Altura de la llama



Instrucciones de cierre

1. Lleve la perilla de control a la posición CERRADO.
2. Cierre la válvula del tanque PL para cerrar el flujo de gas.



CUIDADO Y LIMPIEZA

Inspeccionar el fogón



ADVERTENCIA

NO inspeccione, limpie, mueva o almacene el fogón hasta que las llamas estén TOTALMENTE apagadas y todas las partes estén frías al tacto.

Este fogón debe ser inspeccionado regularmente para asegurar que el producto es seguro y para extender la vida del mismo y sus partes.

Para inspeccionar el fogón, siga estos pasos.

1. Asegúrese de que todas las piezas estén firmemente sujetas en su lugar. Si una pieza se mueve al tocarla, compruebe sus puntos de conexión para ver si están flojos.
2. Compruebe todas las conexiones en busca de fugas utilizando el método de control de fugas descrito en la sección "Comprobar fugas" de este manual.
3. Compruebe el sistema de encendido pulsando el botón del encendedor y verificando que se está generando una chispa en la carcasa del mismo.
4. Verifique todos los componentes para comprobar la existencia de cualquier signo de daños, herrumbre o desgastes excesivos.
5. Si se detecta algún daño en algún componente, NO utilice el fogón hasta que se hayan realizado las reparaciones adecuadas.



ADVERTENCIA

NO manipule indebidamente este artefacto. Eso es peligroso y anulará la garantía.

Las reparaciones y modificaciones deben ser aprobadas por Real Flame y completadas por un técnico profesional de gas.

El fogón ha sido probado y certificado por una agencia de certificación independiente en base a sus partes específicas y únicas. La instalación de otras partes anulará tanto la certificación como la garantía. Para obtener las piezas de repuesto aprobadas, comuníquese con Real Flame llamando al: 1-800-654-1704

Cuidado general y limpieza

Después de un uso repetido, se puede producir una ligera decoloración o desgaste del acabado del fogón. Este fogón debe ser limpiado regularmente para garantizar el uso seguro del producto y para extender la vida útil del mismo.

Limpieza general

Prepare una solución de limpieza con jabón neutro mezclado con agua. Use un paño suave para limpiar las superficies exteriores y enjuague con agua limpia. Nunca utilice limpiadores de horno o solventes abrasivos ya que los mismos dañarán el fogón.

Quemador

El quemador se debe mantener limpio para asegurar el funcionamiento correcto. Los puertos del quemador obstruidos pueden limpiarse con un clip o con un pasador. Los residuos en el quemador se pueden limpiar con aire comprimido o un cepillo de tuberías.

Hollín

Después del uso es posible que se acumule hollín en algunas superficies, ese depósito de hollín generalmente se desprenderá con una solución de agua y jabón neutro.

Almacenamiento

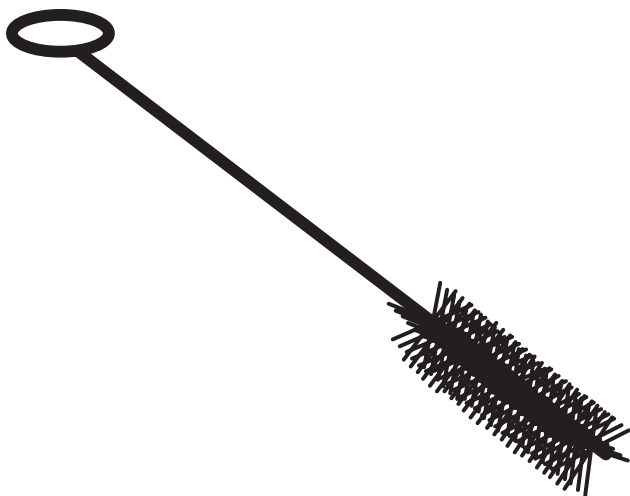
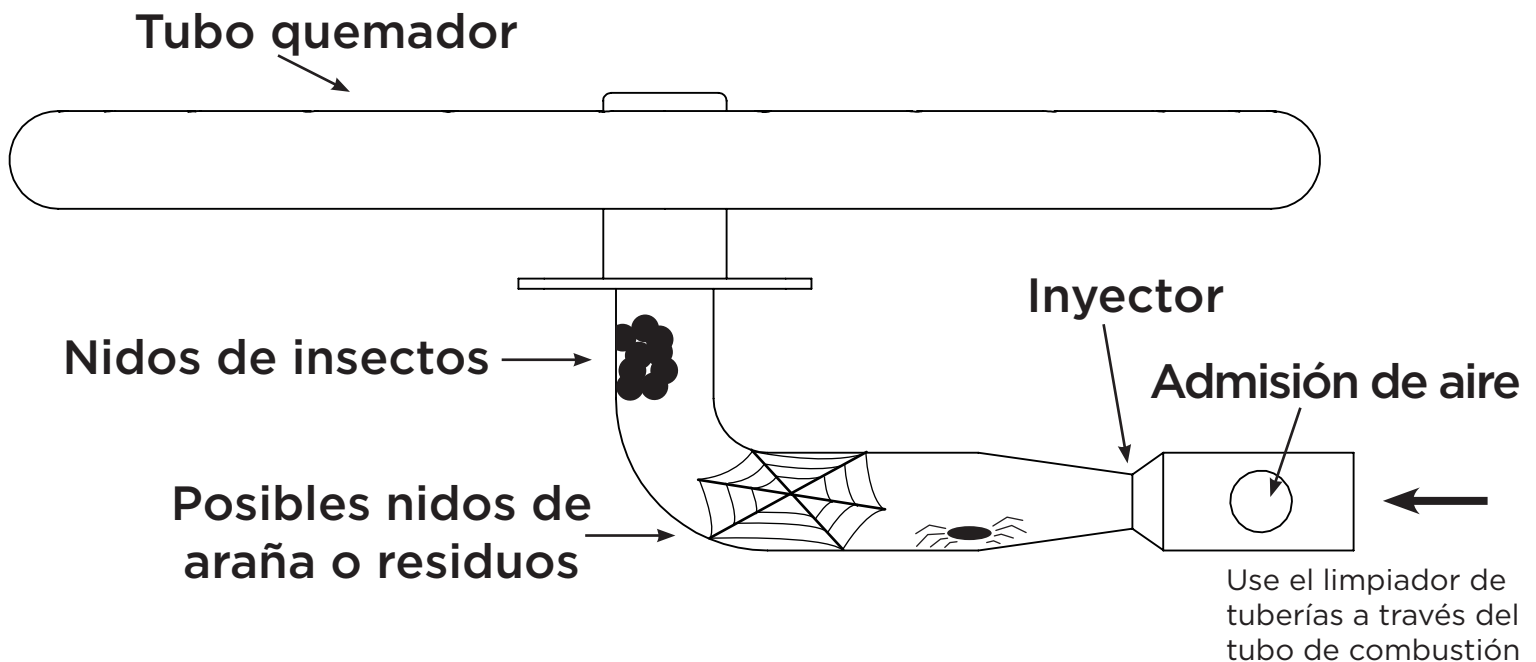
1. Cierre el suministro de gas del tanque. Retire el tanque y guárdelo en un lugar fresco y seco al aire libre y fuera del alcance de los niños.
2. Asegure todo el material de relleno o partes sueltas.
3. Retire la batería de la caja de encendido.
4. Cubra el fogón cuando no esté en uso. Cubrir el fogón protege los componentes mecánicos de la suciedad y residuos, evita que el agua se acumule en la superficie y previene la decoloración del acabado.
5. Almacene el fogón en un lugar fresco y seco, lejos del alcance de niños y mascotas.

ADVERTENCIA DE ARAÑAS E INSECTOS

Las arañas y otros insectos pueden tejer telas o nidos en el fogón, que pueden obstruir o bloquear el flujo del gas.

Parte del gas puede retroceder hacia el tubo de combustión y provocar un llamarada de retroceso (fuego en el tubo de combustión o debajo del fogón) lo que podría producir lesiones personales o daños a la propiedad. Compruebe y limpie el tubo de quemado periódicamente usando un cepillo de limpieza de tuberías (como se muestra a continuación) disponible en cualquier ferretería.

**Ejemplo de un tubo de quemado típico.
Su quemador puede variar dependiendo del modelo**



**Ejemplo de cepillo para
limpieza de tuberías
disponible en ferreterías.**

CONSEJOS Y SOLUCIÓN DE PROBLEMAS

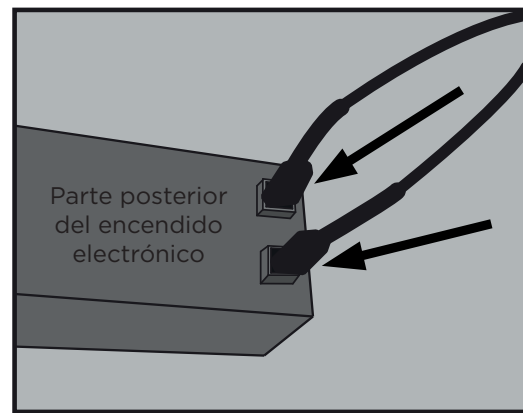
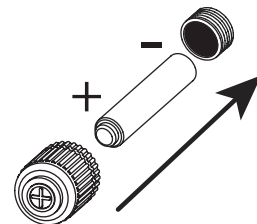
Si el fogón no se enciende

Si el sistema de encendido está funcionando correctamente, se debe oír un chasquido mientras el botón del encendedor está presionado y se debe ver una chispa dentro de la carcasa del encendedor. Si no ve la chispa o no escucha el chasquido, compruebe lo siguiente.

1. Asegúrese de que la batería no está agotada y que está instalada correctamente, con el lado positivo (+) orientado hacia afuera.

2. Si aún así no escucha un chasquido ni ve una chispa en la carcasa del encendedor, mire debajo de la mesa de fuego y asegúrese de que el cable del electrodo está correctamente insertado en la parte posterior de la caja de encendido electrónico. Al mismo tiempo que inspecciona el cable del electrodo, asegúrese de que no esté cortado o roto en ningún lugar. Si el cable está dañado entre en contacto con Real Flame llamando al 1-800-654-1704 para su reemplazo.

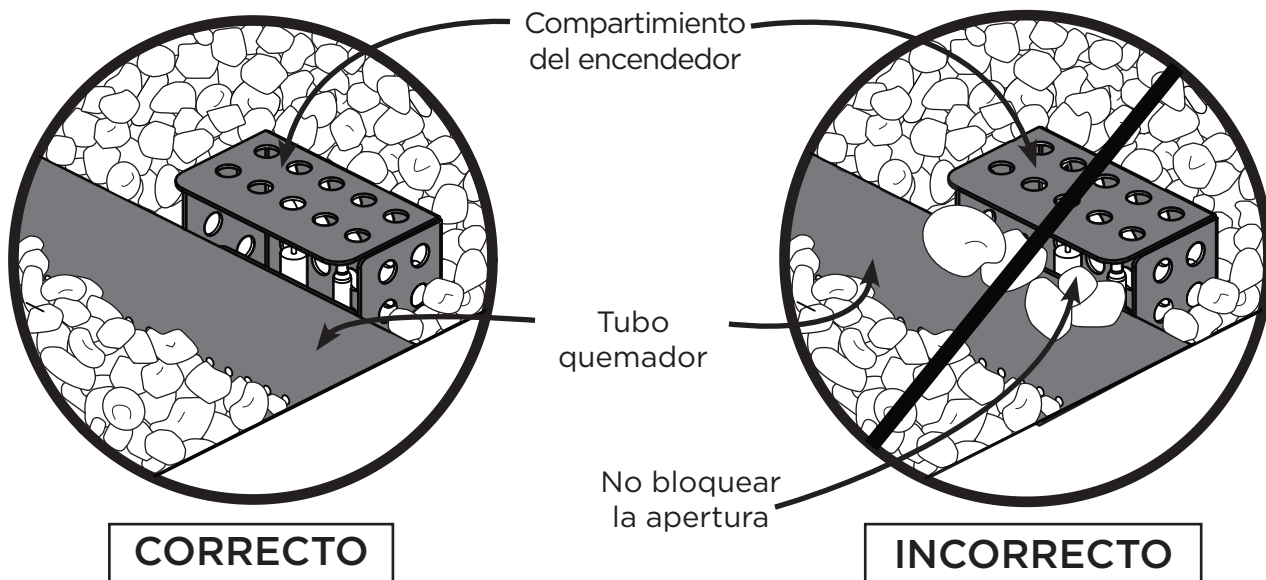
3.) Si escucha el chasquido pero no puede ver una chispa en la carcasa del encendedor, busque debajo de la mesa. Compruebe la conexión del electrodo en la parte trasera del encendido electrónico y el punto de conexión en el quemador. Si ve una chispa en cualquier lugar debajo de la mesa, busque daños en el cable o una conexión incompleta en ese punto. Si el cable está dañado entre en contacto con Real Flame llamando al 1-800-654-1704 para su reemplazo.



Si el fogón no permanece encendido

Si el fogón se enciende, pero no permanece encendido o permanece encendido sólo por un tiempo, compruebe lo siguiente.

1. Asegúrese de que el compartimiento del encendedor no esté obstruido. Limpie cualquier material de relleno o restos en la carcasa y asegúrese de que no haya nada entre el pico del encendedor y el par termoelectrónico



CONSEJOS Y SOLUCIÓN DE PROBLEMAS

Si el fogón no permanece encendido (continuación)

Asegúrese de que el par termoeléctrico y el electrodo están colocados correctamente.

La carcasa del encendedor ha sido retirada de la ilustración a la derecha para mostrar mejor la posición; sin embargo, debe poder ver a través de las aberturas de la carcasa del encendedor para verificar sin tener que retirarla.

Par termoeléctrico - La punta del par termoeléctrico debe estar situada cerca del quemador, alineada con un puerto de quemado para que las llamas lo contacten directamente. Asegúrese de que las llamas estén en contacto con la punta del par termoeléctrico.

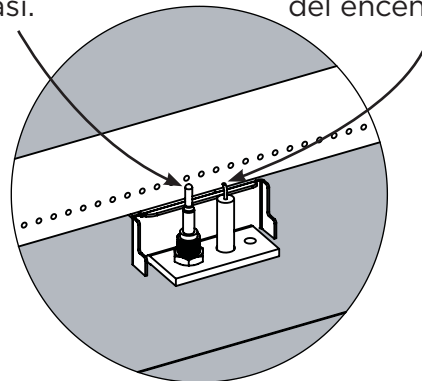
Electrodo - El electrodo es donde se genera la chispa para encender el fogón. Asegúrese de que puede ver la chispa cuando se presiona el botón del encendedor.

Par termoeléctrico dañado

Si la carcasa del encendedor y la punta del par termoeléctrico están libres de residuos y la llama está claramente en contacto con la punta del mismo, y el fogón no se mantiene encendido, es posible que el par termoeléctrico esté dañado. Mire debajo de la mesa y encuentre el cable de cobre del par termoeléctrico que sale de la parte posterior de la válvula. Examine la longitud del mismo para detectar cualquier signo de daños. Dobleces agudos, distorsiones o daños pueden hacer que el par termoeléctrico no funcione correctamente. Si el par termoeléctrico está dañado entre en contacto con Real Flame llamando al 1-800-654-1704 para obtener su reemplazo.

Par termoeléctrico
Asegúrese de que la llama esté en contacto así.

Electrodo
Se debe ver la chispa al presionar el botón del encendedor.



Carcasa del encendedor retirada para mejor entendimiento

Otros problemas comunes

Quemador obstruido

Es común que insectos, especialmente arañas, tejan redes o nidos dentro de los tubos del quemador. Si parece que está recibiendo poco o ningún flujo de gas, revise visualmente todas las aberturas en el quemador para detectar señales de obstrucción. Si percibe que algo obstruye el quemador, intente usar aire comprimido para eliminar dichos residuos.

Se acabó el gas.

Asegúrese de que el tanque no esté vacío. Los tanques con poco gas pueden producir llamas más bajas.

Temperaturas frías

Las temperaturas frías en el exterior pueden producir presiones más bajas del gas del tanque haciendo que las llamas sean más bajas. No utilice el fogón en condiciones extremas de temperatura. Permita que la temperatura del fogón aumente, en la medida que la presión en el tanque aumente, el tamaño de la llama también aumentará. NUNCA caliente el tanque; permita que se caliente naturalmente.

Vientos fuertes

El fogón está diseñada para funcionar con vientos de hasta 10 mph. Los vientos fuertes pueden hacer que la llama se apague. No utilice el fogón condiciones de vientos fuertes.

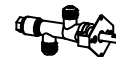
Si continúa teniendo problemas con el fogón, comuníquese con el servicio de atención al cliente de Real Flame llamando al: 1-800-654-1704

LISTA TÉCNICA DE PARTES

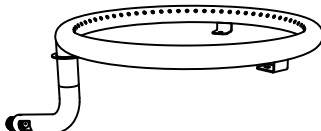
Compartimiento
del encendedor
100280027



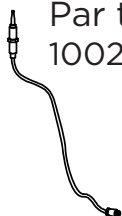
Válvula
100370000



Tubo del quemador
100360000



Par termoeléctrico
100210000



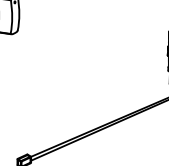
Botón de control
100200000



Fuelle (CSST)
100370006



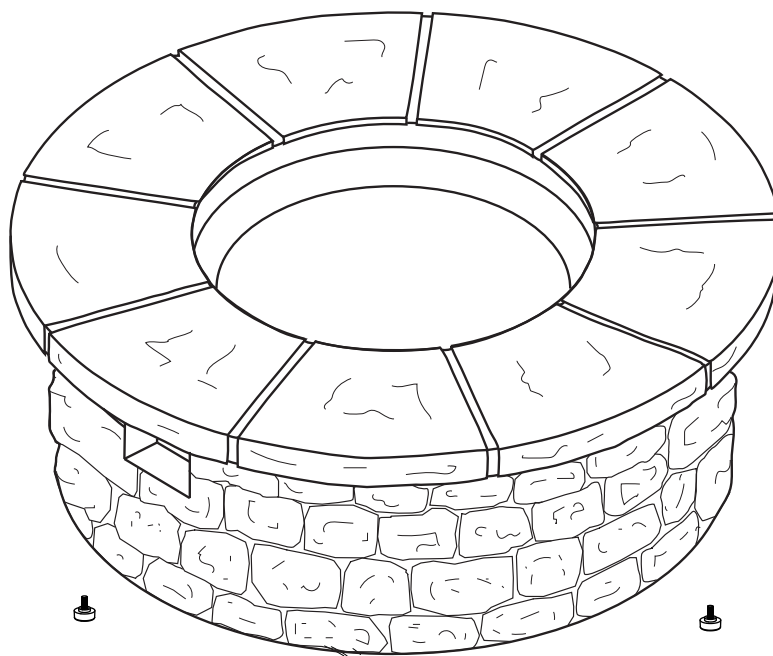
Electrodo más ligero
100380001



Orificio
100370002



Ignición
electrónica
100220000



Pies
06000003



Manguera LP
y Regulador
100190000



POLÍTICAS DE GARANTÍA Y DEVOLUCIÓN

Garantía

Real Flame® Company garantiza que los fogones y accesorios de Real Flame se encuentran libres de defectos en sus partes y en condiciones de uso y servicio normales por un período de 1 año a partir de la fecha de compra y libre de defectos de terminación por un período de 1 año a partir de la fecha de compra. En caso de producirse dichos defectos, Real Flame sustituirá, a su discreción, el producto defectuoso o reembolsará el precio de compra. Lo anterior es la única solución de remedio y Real Flame niega todas las demás garantías, incluyendo cualquier garantía implícita de comerciabilidad o la aptitud para un propósito particular. Además, Real Flame no será responsable de los daños consecuentes que excedan el precio de compra del producto en el que se basa dicha responsabilidad.

Política de devolución

Se puede devolver la compra dentro de los 90 días de su recepción. No se extenderán reembolsos por devoluciones incompletas o no autorizadas. Todos los productos devueltos deben estar 100% completos, debidamente empaquetados en el embalaje original y en condiciones de reventa. Los productos que hayan sido montados o modificados no serán elegibles para la devolución. Todos los ítems se deben volver en su totalidad, significando que los mismos se deben encontrar todos incluidos ser devueltos juntos. No se permitirán devoluciones o intercambios en artículos discontinuados. Comience por favor el proceso de devolución entrando en contacto con la tienda o la compañía donde usted compró su artículo de Real Flame.

Piezas de repuesto

En el caso de que un ítem haya sido perdido o dañado, ya sea por el fabricante o en el envío, se puede solicitar un reemplazo. Las piezas de repuesto no están disponibles para todas las unidades y sólo se ofrecen a discreción de Real Flame. Evaluaremos cualquier daño y encontraremos una solución, que podría incluir el envío de un reemplazo. No hay reemplazos disponibles para ítems discontinuados o productos reembalados (caja abierta). Llame al Servicio de Atención al Cliente de Real Flame al 800-654-1704 para obtener las piezas de repuesto antes de devolver el artículo dañado. Tenga a mano la siguiente información (que puede encontrar en el manual de instrucciones) antes de llamar al Servicio de atención al cliente.

- Número de modelo del artículo
- Número de pieza de 4-8 dígitos
- Número de código de lote
- Dirección de envío
- Se puede solicitar una foto del artículo dañado. Las fotografías deben enviarse a custserv@realflame.com

Pedido recibido incorrecto

Si recibió un artículo diferente al que ordenó, comuníquese con el Servicio de atención al cliente de Real Flame llamando al 800-654-1704 dentro de las 48 horas de haber recibido el artículo. Por favor, visite www.Realflame.com para obtener nuestras directrices y políticas de devolución completas.

Por favor, visite www.Realflame.com para obtener nuestras directrices y políticas de devolución completas.

Real Flame®
7800 Northwestern Ave.
Racine, WI 53406

Atención al cliente: 1-800-654-1704 en EE.UU.
Atención al cliente: 1-800-363-6443 en Canadá
custserv@realflame.com