

Use & Care Guide
Manual de Uso y Cuidado
English / Español

Kenmore®

Liquid Propane Gas Grill

Parrilla a gas de propano liquido

Model/Modelo: PG-40405S0LA

P/N 40500318A





DANGER



If you smell gas:

1. Shut off gas to the appliance.
2. Extinguish any open flame.
3. Open lid.
4. If odor continues, keep away from the appliance and immediately call your gas supplier or your fire department.



WARNING



1. Do not store or use gasoline or other flammable liquids or vapors in the vicinity of this or any other appliance.
2. An LP cylinder not connected for use shall not be stored in the vicinity of this or any other appliance.

please Contact Permasteel Customer Service for Help&Parts

If you have questions or need assistance during assembly, Please call 1-888-287-0735. M – F 8:00 – 5:00 Pacific .You will be speaking to a Representative of the grill manufacturer.

Product Record

IMPORTANT: Fill out the product record information below.

Model Number _____

Serial Number _____
See rating label on grill for serial number.

Date Purchased _____



CAUTION



For residential use only. Do not use for commercial cooking.

Installation Safety Precautions

- Please read this User’s Manual in its entirety before using the grill.
- Failure to follow the provided instruction can result in seriously bodily injury and/or property damage.
- Some parts of this grill may have sharp edges. Please wear suitable protective gloves.
- Use grill, as purchased, only with LP (propane) gas and the regulator/valve assembly supplied.
- Grill installation must conform with local codes, or in their absence of local codes, with either the National Fuel Gas Code, ANSI Z223.1/ NFPA 54, Natural Gas and Propane Installation Code, CSA B149.1, or Propane Storage and Handling Code, B149.2, or the Standard for Recreational Vehicles, ANSI A 119.2/NFPA 1192, and CSA Z240 RV Series, Recreational Vehicle Code, as applicable.
- All electrical accessories (such as rotisserie) must be electrically grounded in accordance with local codes, or National Electrical Code, ANSI / NFPA 70 or Canadian Electrical Code, CSA C22.1. Keep any electrical cords and/or fuel supply hoses away from any hot surfaces.
- This grill is safety certified for use in the United States and/or Canada only. Do not modify for use in any other location. Modification will result in a safety hazard.

IMPORTANT: This grill is intended for outdoor use only and is not intended to be installed in or on recreational vehicles or boats.

NOTE TO INSTALLER: Leave this User’s Manual with the customer after delivery and/or installation.

NOTE TO CONSUMER: Leave this User’s Manual in a convenient place for future reference.

The symbols and boxes shown below explain what each heading means. Read and follow all of the messages found throughout the manual.



DANGER



DANGER: Indicates an imminently hazardous situation which, if not avoided, will result in death or serious injury.



WARNING



WARNING: Indicates an potentially hazardous situation which, if not avoided, could result in death or serious injury.



CAUTION



CAUTION: Indicates a potentially hazardous situation or unsafe practice which, if not avoided, may result in minor or moderate injury.

TABLE OF CONTENTS

For Your Safety 2
Grill Service Center 2
Product Record Information 2
Installation Safety Precautions 2
Safety Symbols 2
Kenmore Grill Warranty 4
Use and Care 5-11
Parts List 12
Parts Diagram 13
Before Assembly 14-17
Assembly 18-29
Troubleshooting 30-32

	CALIFORNIA PROPOSITION 65	
<p>1. Combustion by-products produced when using this product contain chemicals known to the State of California to cause cancer, birth defects, and other reproductive harm.</p> <p>2. This product contains chemicals, including lead and lead compounds in brass fittings. It also produces combustion by-products when used. These substances are known to the State of California to cause cancer, birth defects or other reproductive harm.</p>		
<p><i>Wash your hands after handling this product.</i></p> <hr/>		

WARRANTY

KENMORE LIMITED WARRANTY

WITH PROOF OF SALE: the following warranty coverage applies when this appliance is correctly installed, operated and maintained according to all supplied instructions. Note: Consumer is responsible for Shipping & handling of all warranty replacement parts.

FOR ONE YEAR: from the date of sale this grill is warranted against defects in material or workmanship, consumer will receive free replacement parts with proof of purchase, consumer is responsible for S&H cost.

FOR FIVE YEARS: from the date of sale, any stainless-steel burner that rusts through or burns through will be replaced, proof of purchase must be provided, consumer is responsible for Shipping & Handling cost.

All warranty coverage excludes ignitor batteries and grill part paint loss, discoloration or surface rusting, which are either expendable parts that can wear out from normal use within the warranty period, or are conditions that can be the result of normal use, accident or improper maintenance.

All warranty coverage is void if this appliance is ever used for other than private household purposes.

For warranty coverage details to obtain replacement parts, visit the web page: www.permasteel.net

This warranty covers ONLY defects in material and workmanship, and will NOT pay for:

1. Expendable items that can wear out from normal use within the warranty period, including but not limited to batteries, screw-in base light bulbs and surface coatings or finishes.
2. A service technician to clean or maintain this appliance, or to instruct the user in correct appliance installation, operation and maintenance.
3. Service calls to correct appliance installation not performed by Sears authorized service agents, or to repair problems with house fuses, circuit breakers, house wiring, and plumbing or gas supply systems resulting from such installation.
4. Damage to or failure of this appliance resulting from installation not performed by Sears authorized service agents, including installation that was not in accord with electrical, gas or plumbing codes.
5. Damage to or failure of this appliance, including discoloration or surface rust, if it is not correctly operated and maintained according to all supplied instructions.
6. Damage to or failure of this appliance, including discoloration or surface rust, resulting from accident, alteration, abuse, misuse or use for other than its intended purpose.
7. Damage to or failure of this appliance, including discoloration or surface rust, caused by the use of detergents, cleaners, chemicals or utensils other than those recommended in all instructions supplied with the product.
8. Damage to or failure of this appliance resulting from natural or other catastrophe, such as flood, fire or storm.
9. Damage to or failure of parts or systems resulting from unauthorized modifications made to this appliance.
10. Service to an appliance if the model and serial plate is missing, altered, or cannot easily be determined to have the appropriate certification logo.

Disclaimer of implied warranties; limitation of remedies

Customer's sole and exclusive remedy under this limited warranty shall be product repair or replacement as provided herein. Implied warranties, including warranties of merchantability or fitness for a particular purpose, are limited to two years on the appliance, five years on heat diffusers, fifteen years on burners, and twenty-five years on sidewalls, lid shroud and grates, or the shortest period allowed by law. Seller shall not be liable for incidental or consequential damages. Some states and provinces do not allow the exclusion or limitation of incidental or consequential damages, or limitation on the duration of implied warranties of merchantability or fitness, so these exclusions or limitations may not apply to you.

This warranty gives you specific legal rights, and you may also have other rights which vary from state to state.

USE AND CARE



DANGER



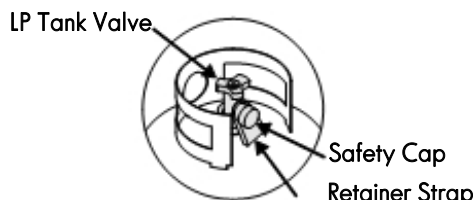
- **NEVER store a spare LP cylinder under or near the appliance or in an enclosed area.**



- **Never fill a cylinder beyond 80% full.**
- **If the information in the two points above is not followed exactly, a fire causing death or serious injury may occur.**
- **An overfilled or improperly stored cylinder is a hazard due to possible gas release from the safety relief valve. This could cause an intense fire with risk of property damage, serious injury or death.**
- **If you see, smell or hear gas escaping, immediately get away from the LP cylinder and appliance and call your fire department.**

LP Tank Removal, Transport And Storage

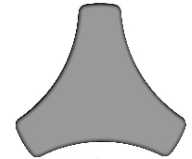
- Turn OFF all control knobs and LP tank valve. Turn coupling nut counterclockwise by hand only - do not use tools to disconnect. Lift LP tank wire upward off of LP tank collar, then lift LP tank up and off of support bracket. Install safety cap onto LP tank valve. Always use cap and strap supplied with valve. **Failure to use safety cap as directed may result in serious personal injury and/or property damage.**



- A disconnected LP tank in storage or being transported must have a safety cap installed (as shown). Do not store an LP tank in enclosed spaces such as a carport, garage, porch, covered patio or other building. Never leave an LP tank inside a vehicle which may become overheated by the sun.
- Do not store an LP tank in an area where children play.

LP Cylinder

- The LP cylinder used with your grill must meet the following requirements:
- Use LP cylinders only with these required measurements: 12" (30.5cm) (diameter) x 18" (45.7 cm) (tall) with 20 lb. (9 kg.) Capacity maximum.
- LP cylinders must be constructed and marked in accordance with specifications for LP cylinders of the U.S. Department of Transportation (DOT) or for Canada, CAN/CSA-B339, cylinders, spheres and tubes for transportation of dangerous goods. Transport Canada (TC). See LP cylinder collar for marking.
- LP cylinder valve must have:
 - Type 1 outlet compatible with regulator or grill.
 - Safety relief valve.
 - UL listed Overfill Protection Device (OPD). This OPD safety feature is identified by a unique triangular hand wheel. **Use only LP cylinders equipped with this type of valve.**
- LP cylinder must be arranged for vapor withdrawal and include collar to protect LP cylinder valve. Always keep LP cylinders in upright position during use, transit or storage.



OPD Hand Wheel



LP cylinder in upright position for vapor withdrawal

LP (Liquefied Petroleum Gas)

- LP gas is nontoxic, odorless and colorless when produced. **For Your Safety**, LP gas has been given an odor (similar to rotten cabbage) so that it can be smelled.
- LP gas is highly flammable and may ignite unexpectedly when mixed with air.

LP Cylinder Filling

- Use only licensed and experienced dealers.
- LP dealer **must purge new cylinder** before filling.
- Dealer should **NEVER** fill LP cylinder more than 80% of LP cylinder volume. Volume of propane in cylinder will vary by temperature.
- A frosty regulator indicates gas overfill. Immediately close LP cylinder valve and call local LP gas dealer for assistance.
- Do not release liquid propane (LP) gas into the atmosphere. This is a hazardous practice.
- To remove gas from LP cylinder, contact an LP dealer or call a local fire department for assistance. Check the telephone directory under "Gas Companies" for nearest certified LP dealers.

LP Tank Exchange

- Many retailers that sell grills offer you the option of replacing your empty LP tank through an exchange service. Use only those reputable exchange companies that inspect, precision fill, test and certify their cylinders. **Exchange your tank only for an OPD safety feature-equipped tank as described in the "LP Tank" section of this manual.**
- Always keep new and exchanged LP tanks in upright position during use, transit or storage.
- **Leak test new and exchanged LP tanks BEFORE connecting to grill.**

LP Tank Leak Test

For your safety

- Leak test must be repeated each time LP tank is exchanged or refilled.
- Do not smoke during leak test.
- Do not use an open flame to check for gas leaks.
- Grill must be leak tested outdoors in a well-ventilated area, away from ignition sources such as gas fired or electrical appliances. During leak test, keep grill away from open flames or sparks.
- Use a clean paintbrush and a 50/50 mild soap and water solution. Brush soapy solution onto areas indicated by arrows in figure below. Leaks are indicated by growing bubbles.

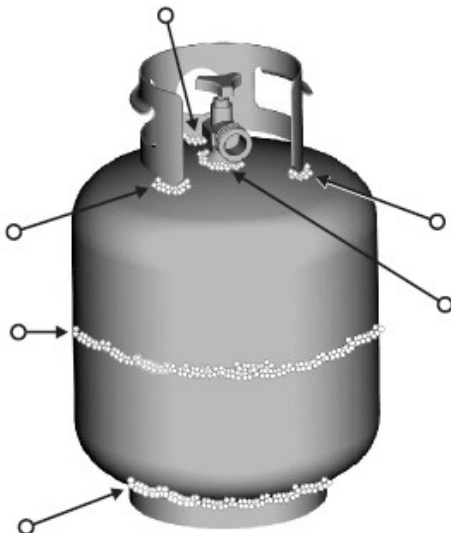


WARNING



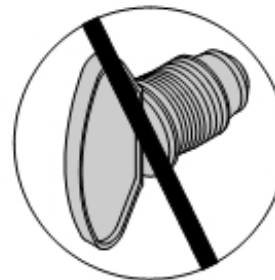
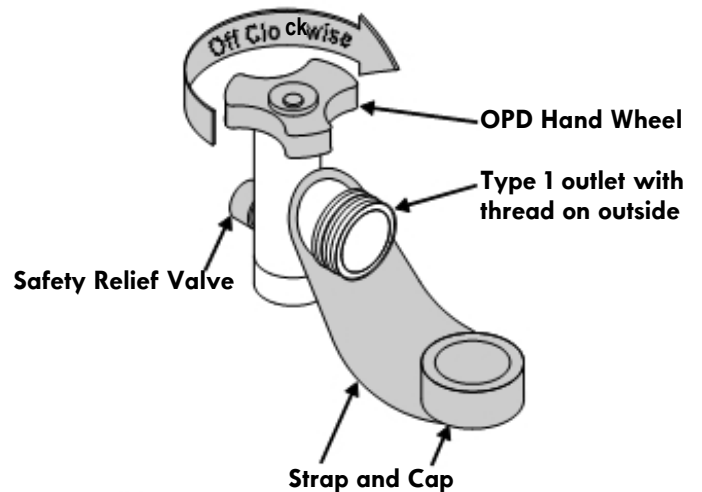
If "growing" bubbles appear do not use or move the LP tank. Contact an LP gas supplier or your fire department!

- ▲ Do not use household cleaning agents. Damage to the gas train components (valve/hose/regulator) can result.



Connecting Regulator To The LP Tank

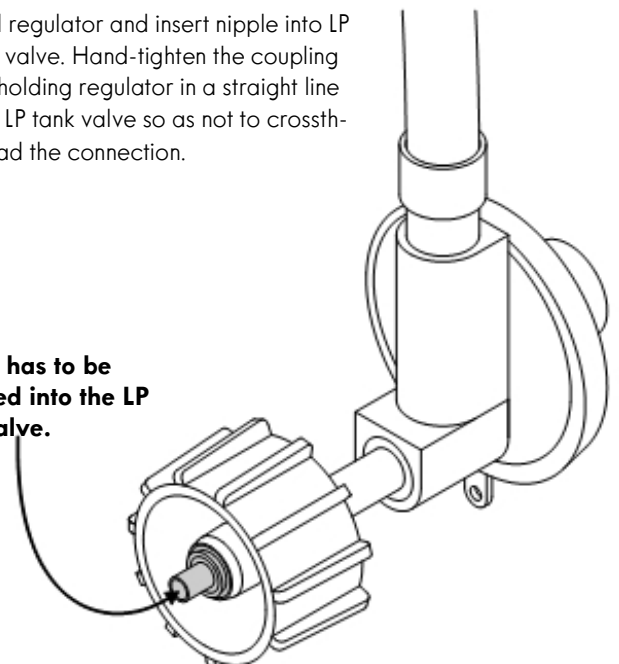
1. LP tank must be properly secured onto grill. (Refer to assembly section.)
2. Turn all control knobs to the OFF position.
3. Turn LP tank OFF by turning OPD hand wheel clockwise to a full stop.
4. Remove the protective cap from LP tank valve. Always use cap and strap supplied with valve.

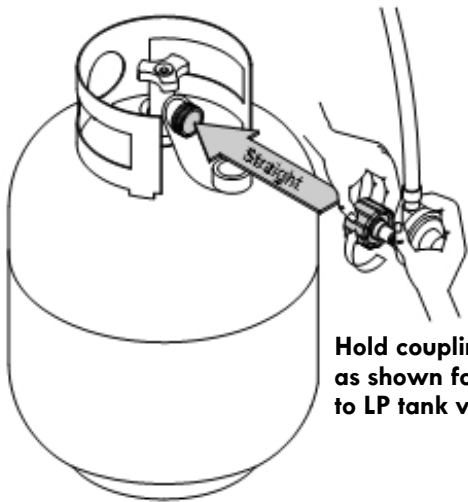


Do not insert a POL transport plug (plastic part with external threads) into the type 1 valve outlet. It will defeat the Safety Relief Valve feature.

5. Hold regulator and insert nipple into LP tank valve. Hand-tighten the coupling nut, holding regulator in a straight line with LP tank valve so as not to cross-thread the connection.

Nipple has to be centered into the LP tank valve.





Hold coupling nut and regulator as shown for proper connection to LP tank valve.

6. Turn the coupling nut clockwise and tighten to a full stop. The regulator will seal on the back-check feature in the LP tank valve, resulting in some resistance. **An additional one-half to three-quarters turn is required to complete the connection. Tighten by hand only - do not use tools.**

NOTE:

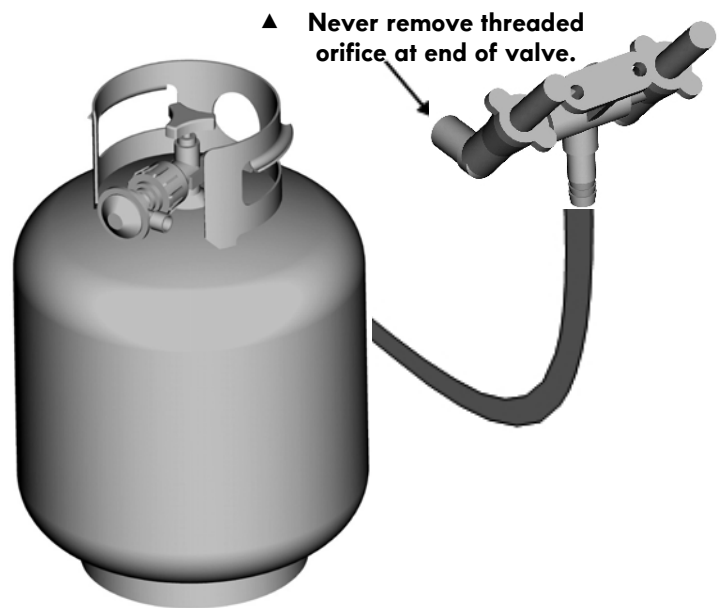
If you cannot complete the connection, disconnect regulator and repeat steps 5 and 6. If you are still unable to complete the connection, do not use this regulator!
 Call 1-888-287-0735, M-F 8:00-5:00 PACIFIC for an identical replacement part.

	DANGER	
<ul style="list-style-type: none"> • Do not insert any tool or foreign object into the valve outlet or safety relief valve. You may damage the valve and cause a leak. Leaking propane may result in explosion, fire, severe personal injury, or death. 		

	WARNING	
<ul style="list-style-type: none"> • Outdoor gas appliance is not intended to be installed in or on a boat. • Outdoor gas appliance is not intended to be installed in or on an RV. • Never attempt to attach this grill to the self-contained LP gas system of a camper trailer or motor home. • Do not use grill until leak-tested. • If a leak is detected at any time, STOP and call the fire department. • If you cannot stop a gas leak, immediately close LP cylinder valve and call LP gas supplier or your fire department ! 		

Leak Testing Valves, Hose and Regulator

1. Turn all grill control knobs to OFF.
2. Be sure regulator is tightly connected to LP tank.
3. Completely open LP tank valve by turning OPD hand wheel counterclockwise. If you hear a rushing sound, turn gas off immediately. There is a major leak at the connection. **Correct before proceeding** by calling for replacement parts at 1-888-287-0735, M-F 8:00-5:00 PACIFIC
4. Brush soapy solution onto areas where bubbles are shown in picture below:

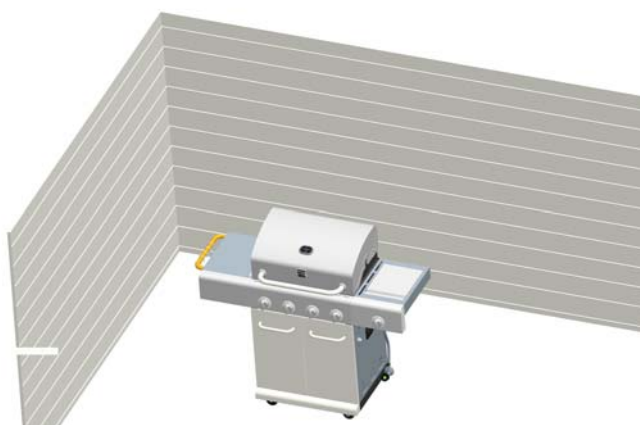


5. If "growing" bubbles appear, there is a leak. Close LP tank valve immediately and retighten connections. If leaks cannot be stopped do not try to repair. Call for replacement parts at 1-888-287-0735. M-F 8:00-5:00 PACIFIC
6. Always close LP tank valve after performing leak test by turning hand wheel clockwise.

 **WARNING** 

For Safe Use of Your Grill and to Avoid Serious Injury:

- Do not let children operate or play near grill.
- Keep grill area clear and free from materials that burn.
- Do not block holes in sides or back of grill.
- Use grill only in well-ventilated space. NEVER use in enclosed space such as carport, garage, porch, covered patio, or under an overhead structure of any kind.
- Do not use charcoal or ceramic briquets in a gas grill.
- **Use grill at least 3 ft. from any wall or surface.** Maintain 10 ft. clearance to objects that can catch fire, or to sources of ignition such as pilot lights on water heaters, live electrical appliances, etc.



• Apartment Dwellers:

Check with management to learn the requirements and fire codes for using an LP gas grill in your apartment complex. If allowed, use outside on the ground floor with a three (3) foot clearance from walls or rails. Do not use on or under balconies.

- **NEVER attempt to light burner with lid closed. A buildup of non-ignited gas inside a closed grill is hazardous.**
- **Never operate grill with LP cylinder out of correct position specified in assembly instructions.**
- **Always close LP cylinder valve and remove coupling nut before moving LP cylinder from specified operation position.**


Safety Tips

- ▲ Before opening LP cylinder valve, check the coupling nut for tightness.
- ▲ When grill is not in use, turn off all control knobs and LP cylinder valve.
- ▲ Never move grill while in operation or still hot.
- ▲ Use long-handled barbecue utensils and oven mitts to avoid burns and splatters.
- ▲ Maximum load for searing burner and side shelf is 10 lbs.
- ▲ The drip tray must be inserted into grill and emptied after each use. Do not remove drip tray until grill has completely cooled.
- ▲ Clean grill often, preferably after each cookout. If a bristle brush is used to clean any of the grill cooking surfaces, ensure no loose bristles remain on cooking surfaces prior to grilling. It is not recommended to clean cooking surfaces while grill is hot.
- ▲ If you notice drip or other hot material dripping from grill, determine the cause, correct it, then clean and inspect valve. Keep ventilation openings in cylinder enclosure (grill cart) free and clear of debris.
- ▲ Do not store objects or materials inside the grill cart enclosure that would block the flow of combustion air to the underside of either the control panel or the firebox bowl.
- ▲ The regulator may make a humming or whistling noise during operation. This will not affect safety or use of grill.
- ▲ If you have a grill problem see the "Troubleshooting Section".
- ▲ If the regulator frosts, turn off grill and LP cylinder valve immediately. This indicates a problem with the cylinder and it should not be used on any product. Return to supplier!

 **CAUTION** 



- Putting out drip fires by closing the lid is not possible. Grills are well ventilated for safety reasons.
- Do not use water on a drip fire. Personal injury may result. If a drip fire develops, turn knobs and LP cylinder off.
- Do not leave grill unattended while preheating or burning off food residue on HI. If grill has not been regularly cleaned, a drip fire can occur that may damage the product.

Read Operator's Manual before Lighting Grill

1. Open lid during lighting.
2. Turn ON gas valve on tank.
3. Push and turn any main burner control knob to  HI. And hold in. You will hear a clicking sound from the electrodes of all burners
4. If ignition does NOT occur in 5 seconds, turn the burner control knob OFF, wait 5 minutes, and repeat the lighting procedure.
5. To ignite another main burner, repeat step 3.
6. To ignite the Side Burner, follow steps 2-4 using the Side Burner knob.

 **WARNING** 

Turn controls and gas source or tank OFF when not in use.

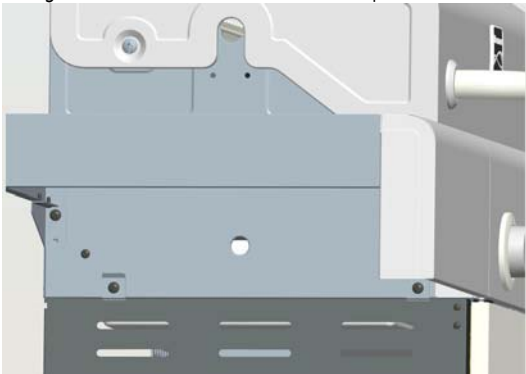
 **CAUTION** 

If ignition does not occur in 5 seconds, turn the burner controls OFF, wait 5 minutes and repeat the lighting procedure. If the burner does not ignite with the valve open, gas will continue to flow out of the burner and could ignite with risk of injury.

Match Lighting

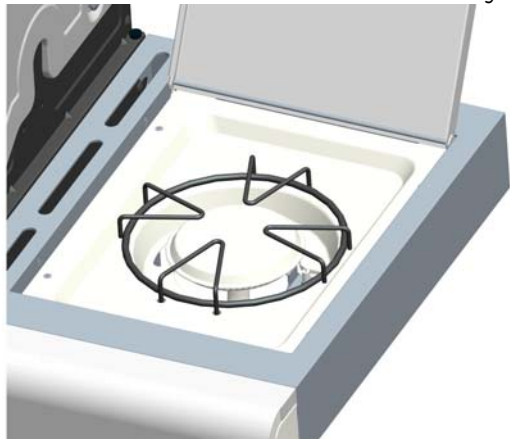
▲ Do not lean over grill while lighting.

1. Open lid during lighting.
2. Place match into match holder (hanging on right back leg). Light match, place into lighting hole on left side of firebox.
3. Turn right knob to HI position. Be sure burner lights and stay lit.
4. Light other burners follow with step 3.



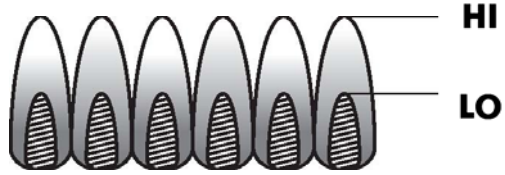
Side Burner Match Lighting

1. Open side burner lid. Turn on gas at LP cylinder.
2. Place lit match near burner.
3. Turn side burner knob to HI. Be sure burner lights and stays lit.



Burner Flame Check

- Remove cooking grates and heat diffusers. Light burners, turn knobs from HI to LO. You should see a smaller flame in LO position than seen on HI. Perform burner flame check on searing burner, also. Always check flame prior to each use. If only low flame is seen refer to "Sudden flame drop or low flame" in the Troubleshooting Section.



Turning Grill Off

- Turn all knobs to OFF position. Turn LP cylinder off by turning

Igniter Check

- Turn gas off at LP cylinder. Press and hold electronic igniter button. "Click" should be heard and spark seen each time between collector box or burner and electrode. See "Troubleshooting" if no click or spark.

Valve Check

- Important: Make sure gas is off at LP cylinder before checking valves. Knobs lock in OFF position. To check valves, first push in knobs and release, knobs should spring back. If knobs do not spring back, replace valve assembly before using grill. Turn knobs to LOW position then turn back to OFF position. Valves should turn smoothly.

Hose Check

- Before each use, check to see if hoses are cut or worn. Replace damaged hoses before using grill. Use only valve/hose/regulator as specified in the parts list of this Use & Care Guide.

Cast Iron Grate Seasoning (if applicable)

First Use – Before first use, season cast iron grates as follows: Rinse cast iron grates with hot water. Do not use soap. Dry grates thoroughly with a cloth towel. Coat grates with vegetable oil or non-stick cooking spray. Place grates in grill. Start grill and slowly raise temperature to 350° - 400° F. Heat grates for one hour. Turn off grill and allow grates to cool completely before using to cook.

Cleaning – Do not use soap when cleaning grates. Clean grates with a stiff brush and hot water. Dry grates thoroughly with a cloth towel.

Re-seasoning – Re-season grates when rust spots appear on grate surface. When re-seasoning grates, soap may be used with hot water to clean grates. After cleaning, dry grates thoroughly with a cloth towel. Coat grates with vegetable oil or non-stick cooking spray. Place grates in grill. Start grill and slowly raise temperature to 350° - 400° F. Heat grates for one hour. Turn off grill and allow grates to cool completely before using again.

General Grill Cleaning

- Do not mistake brown or black accumulation of grease and smoke for paint. Interiors of gas grills are not painted at the factory (**and should never be painted**). Apply a strong solution of detergent and water or use a grill cleaner with scrub brush on insides of grill lid and bottom. Rinse and allow to completely air dry. **Do not apply a caustic grill/oven cleaner to painted surfaces.**
- **Porcelain surfaces:** Because of glass-like composition, most residue can be wiped away with baking soda/water solution or specially formulated cleaner. Use nonabrasive scouring powder for stubborn stains.
- **Painted surfaces:** Wash with mild detergent or nonabrasive cleaner and warm soapy water. Wipe dry with a soft nonabrasive cloth.

- **Stainless steel surfaces:** To maintain your grill's high quality appearance, wash with mild detergent and warm soapy water and wipe dry with a soft cloth after each use. Baked-on grease deposits may require the use of an abrasive plastic cleaning pad. Use only in direction of brushed finish to avoid damage. Do not use abrasive pad on areas with graphics.

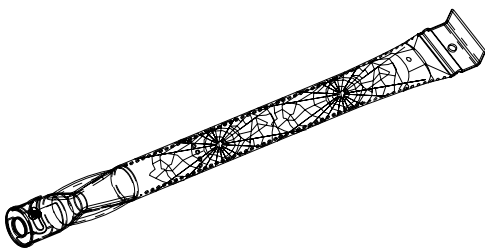
- **Cooking surfaces:** If a bristle brush is used to clean any of the grill cooking surfaces, ensure no loose bristles remain on cooking surfaces prior to grilling. It is not recommended to clean cooking surfaces while grill is hot.

- **Drip Tray and Cup:** Regularly clean the grease drippings from the Drip Tray and Drip Cup. When the grill has completely cooled down after use, remove the cup from the tray and slide the tray out of the grill. Clean the grease drippings from the cup and tray surfaces by washing with mild detergent or nonabrasive cleaner and warm soapy water. Wipe dry with a soft nonabrasive cloth. Slide the tray back into the grill and replace the cup back into the tray before using the grill again.

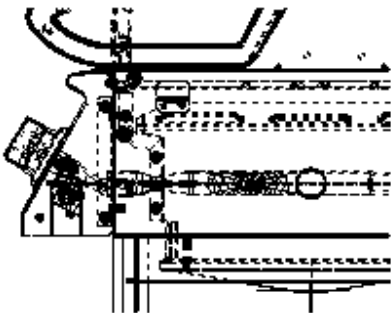


SPIDER ALERT!

IMPORTANT: Always ensure that the venturi burner tubes are clean. A venturi burner tube has a narrow area in which spiders tend to build nests.



If you notice that your grill is getting hard to light or that the flame isn't as strong as it should be, take the time to check and clean the venturi's.



Spiders or small insects have been known to create "flashback" problems. The spiders spin webs, build nests and lay eggs in the grill's venturi tube(s) obstructing the flow of gas to the burner. The backed-up gas can ignite in the venturi behind the control panel. This is known as a flashback and it can damage your grill and even cause injury.

To prevent flashbacks and ensure good performance the burner and venturi assembly should be removed from the grill and cleaned before use whenever the grill has been idle for an extended period.

Storing Your Grill

- Clean cooking grates.
- Store in dry location.
- When LP cylinder is connected to grill, store outdoors in a well-ventilated space and out of reach of children.
- Cover grill if stored outdoors. Choose from a variety of grill covers offered by manufacturer once available.
- Store grill indoors **ONLY** if LP cylinder is turned off and Disconnected, remove from grill and stored outdoors.
- When removing grill from storage, follow "Cleaning the Burner Assembly" instructions before starting grill.

Cleaning the Burner Assembly

Follow these instructions to clean and/or replace parts of burner assembly or if you have trouble igniting grill.

1. Turn gas off at control knobs and LP cylinder.
2. Remove cooking grates and heat diffusers.
3. Remove attachment screw from rear of each burner. See Fig A next page.
4. Carefully lift each burner up and away from valve openings. We suggest three ways to clean the burner tubes. Use the one easiest for you.

- (A) Bend a stiff wire (a light weight coat hanger works well) into a small hook. Run the hook through each burner tube several times.

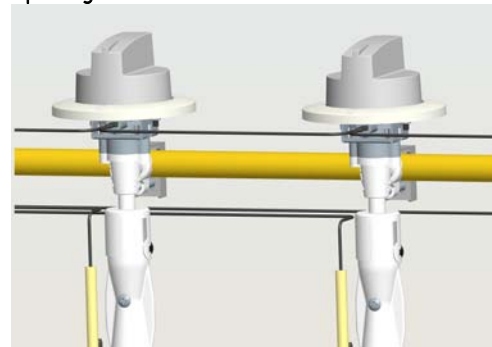


- (B) Use a narrow bottle brush with a flexible handle (do not use a brass wire brush), run the brush through each burner tube several times.

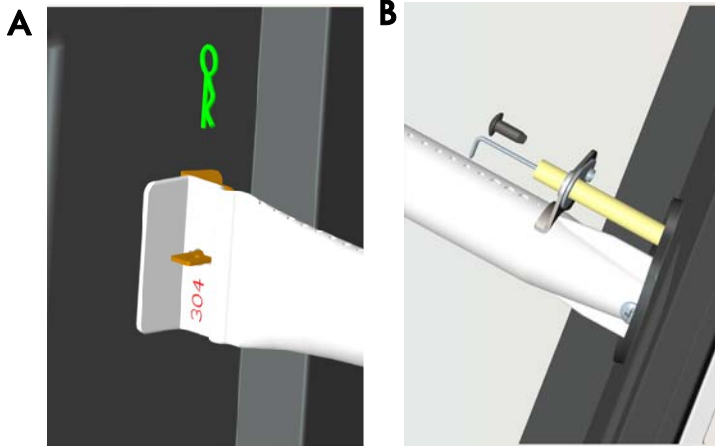
- (C) Wear eye protection: Use an air hose to force air into the burner tube and out the burner ports. Check each port to make sure air comes out each hole.

5. Wire brush entire outer surface of burner to remove food residue and dirt.
6. Clean any blocked ports with a stiff wire such as an open paper clip.
7. Check burner for damage, due to normal wear and corrosion some holes may become enlarged. If any large cracks or holes are found replace burner.

VERY IMPORTANT: Burner tubes must reengage valve openings. See illustrations below.



8. Carefully replace burners. See Fig. A and B next page.
9. Attach rear of each burner to bracket with screw. See Fig. A next page.
10. Replace heat diffusers and cooking grates.



Food Safety

Food safety is a very important part of enjoying the outdoor cooking experience. To keep food safe from harmful bacteria, follow these four basic steps:

Clean: Wash hands, utensils, and surfaces with hot soapy water before and after handling raw meat and poultry.

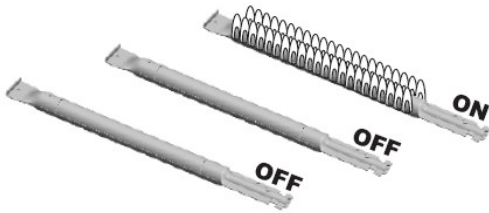
Separate: Separate raw meats and poultry from ready-to-eat foods to avoid cross contamination. Use a clean platter and utensils when removing cooked foods.

Cook: Cook meat and poultry thoroughly to kill bacteria. Use a thermometer to ensure proper internal food temperatures.

Chill: Refrigerate prepared foods and leftovers promptly. **For more information call: USDA Meat and Poultry Hotline at 1-800-535-4555 (In Washington, DC (202) 720-3333, 10:00 am 4:00 pm EST).**

Indirect Cooking

Poultry and large cuts of meat cook slowly to perfection on the grill by indirect heat. Place food over unlit burner(s); the heat from lit burners circulates gently throughout the grill, cooking meat or poultry without the touch of a direct flame. This method greatly reduces flare-ups when cooking extra fatty cuts because there is no direct flame to ignite the fats and juices that drip during cooking.

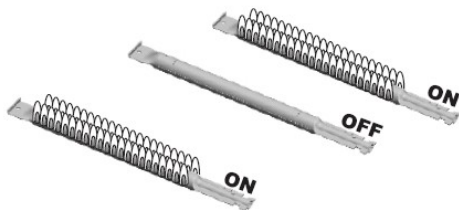


1 Burner Cooking

Cook with direct or indirect heat.
Best for smaller meals or foods.
Consumes less fuel.

Indirect Cooking Instructions

- Always cook with the lid closed.
- Due to weather conditions, cooking times may vary. During cold and windy conditions the temperature setting may need to be increased to insure sufficient cooking temperature.
- Place food over over unlit burner(s).



2 Burner Cooking

Great indirect cooking on low.
Produces slow, even heating.
Ideal for slow roasting and baking.

How To Tell If Meat Is Grilled Thoroughly

- Meat and poultry cooked on a grill often browns very fast on the outside. Use a meat thermometer to be sure food has reached a safe internal temperature, and cut into food to check for visual signs of doneness.
- Whole poultry should reach 180° F; breasts, 170° F. Juices should run clear and flesh should not be pink.
- Hamburgers made of any ground meat or poultry should reach 160° F, and be brown in the middle with no pink juices. Beef, veal and lamb steaks, roasts and chops can be cooked to 145° F. All cuts of pork should reach 160° F.
- NEVER partially grill meat or poultry and finish cooking later. Cook food completely to destroy harmful bacteria.
- When reheating takeout foods or fully cooked meats like hot dogs, grill to 165° F, or until steaming hot.

WARNING: To ensure that it is safe to eat, food must be cooked to the minimum internal temperatures listed in the table below.

USDA* Recommended Safe Minimum Internal Temperatures	
Beef, Veal, Lamb and Pork – Whole Cuts**	145° F
Fish	145° F
Beef, Veal, Lamb and Pork – Ground	160° F
Egg Dishes	160° F
Turkey, Chicken & Duck – Whole, Pieces & Ground	165° F

* United States Department of Agriculture

**Allow meat to rest three minutes before carving or consuming.

PARTS LIST

Key	Description	Qty	Part Number	Key	Description	Qty	Part Number
1	side burner lid	1	41500041	38	Right Door	1	40500080
2	Rotate Rod, Side Burner Lid	1	40500211	39	Left Door	1	40500076
3	Side Burner Grid	1	60600218	40	Left Side Panel	1	40500061
4	Side Burner	1	60600219	41	left grease tray bracket	1	40500068
5	Ignition wire	1	40500215A	42	right grease tray bracket	1	40500069
6	Side Burner Base	1	40500056A	43	Back Panel	1	40500067A
7	Right Side Shelf	1	40500048	44	lighting rod hook	1	40800128
8	Electronic ignition module	1	41500214	45	lighting rod chain	1	41100105
9	igniter box cover	1	30800246	46	lighting rod clip	1	40500212
10	Fascia, Right Side Shelf	1	40500052	47	Door Bracket	1	40500071
11	Control Panel	1	40500035	48	Right Door Bracket	1	40500073
12	Gas Valve, Main Burner	1	41100102	49	Left Door Bracket	1	40500072
13	Igniter wire	1	40500209	50	grease box	1	40500033
14	main burner manifold	1	40500039	51	grease tray assembly	1	4050026
15	Side burner valve	1	40500216A	52	Fascia, Left Side Shelf	1	40900040
16	Side burner manifold	1	40200045	53	Left Side shelf Handle	1	40800099
17	Side Burner Hose	1	40900216	54	Hook	4	40800200
18	Ground wire	1	30800244	55	Left Side Shelf	1	40500042A
19	Control Knob Bezel	5	40900036	56	firebox silicone rubber bumper	2	50300205
20	Control Knob	5	40900206	57	lid Silicone Rubber Bumper	2	40700103
21	Regulator	1	40800115	58	Temperature Gauge	1	40500201
22	Tank holder	1	40500213	59	Logo	1	40800106
23	Bottom Shelf	1	40500084	60	Rotate Rod, Lid	2	40500202
24	Front panel	1	40500089	61	Insulation Spacer, Lid handle	2	30800231
25	Standard Caster	1	40900214	62	Bezel, Lid Handle	2	30800011
26	Swivel Caster	1	40900213	63	Lid	1	40500002
27	Swivel Caster with Brake	2	40900212	64	Lid Handle	1	40500100
28	Door Magnet Box	1	50600076	65	Warming Rack	1	40500203
29	Door Magnet	4	40200094	66	Cooking Grate	2	40500204
30	cotter pin	8	110380	67	fire box back Panel	1	40500024
31	Hole Grommet	1	40400005	68	Heat Diffuser	4	40500025
32	wire clamp	1	50600085	69	firebox	1	40500012
33	Right Side Panel	1	40500065	70	main burner electrode L880	1	40500208
34	Tank Baffle	1	40500092	71	main burner electrode L720	1	40500207
35	Door screw hole cover	4	40900225	72	main burner electrode L560	1	40500206
36	Cart Support Angle Bar	2	40500074	73	main burner electrode L400	1	40500205
37	door handle	2	40500082	74	Main Burner	4	40500098

Not Pictured

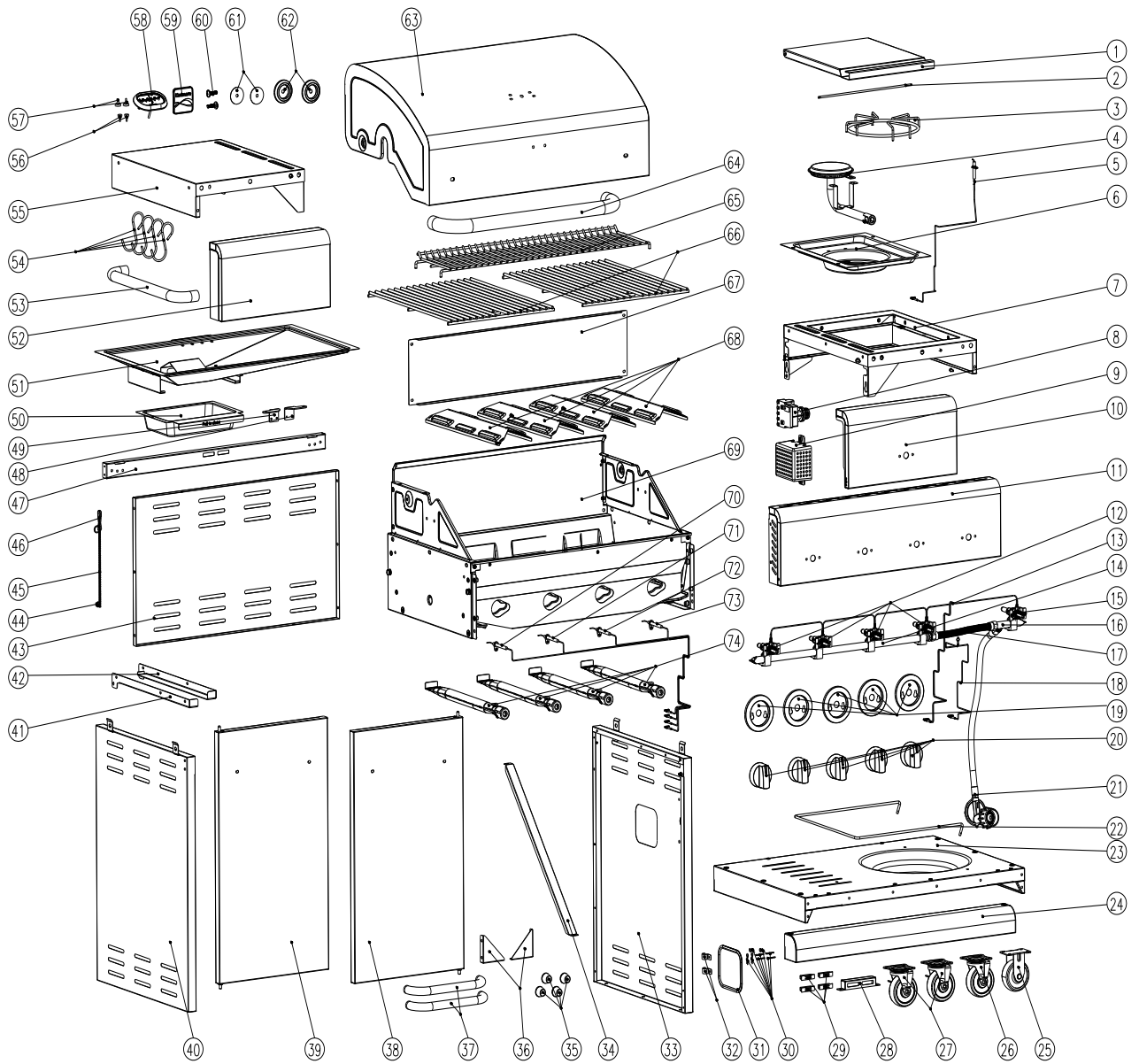
Hardware Pack	1	40500330A
Manual	1	40500318A

If you are missing hardware or have damaged parts after unpacking grill, call 1-888-287-0735, M-F 8:00-5:00 pacific for replacement.

To order replacement parts after using grill, call 1-888-287-0735, M-F 8:00-5:00 pacific.

NOTE: Some grill parts shown in the assembly steps may differ slightly in appearance from those on your particular grill model. However, the method of assembly remains the same.

PARTS DIAGRAM

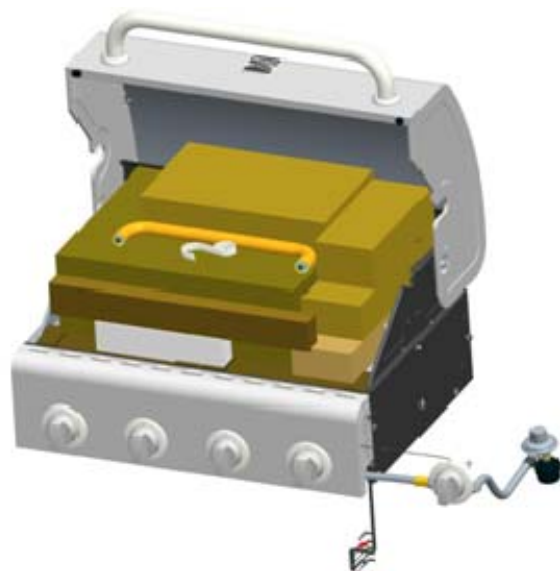
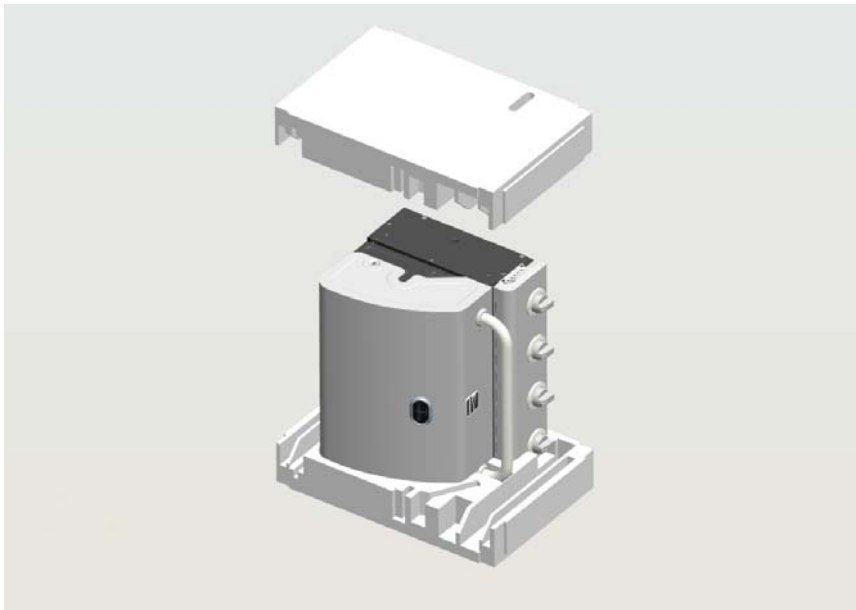


BEFORE ASSEMBLY

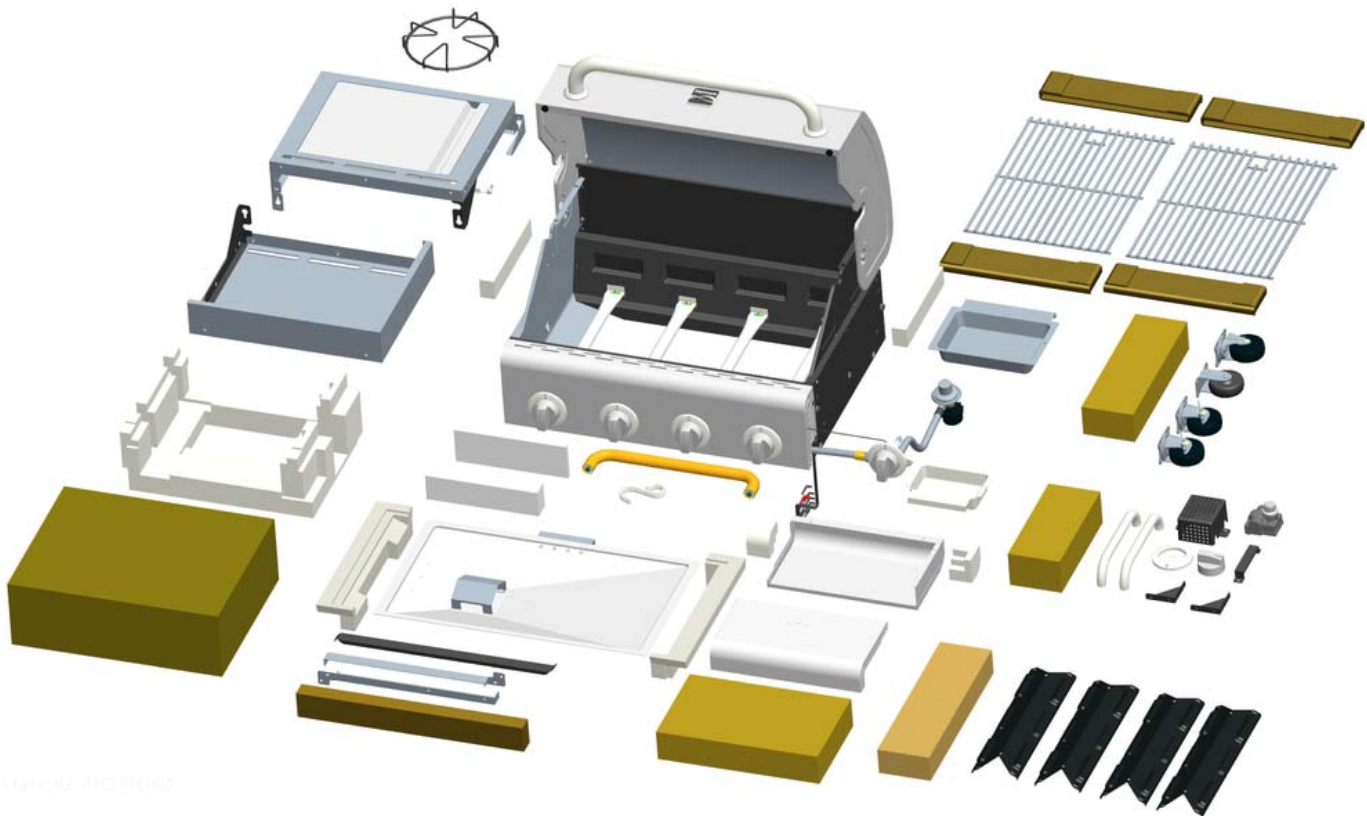
NOTICE: Once you have unpacked the grill according to the STOP SHEET instructions, check all grill parts against the pictures on this and the following two pages. If you parts are missing or damaged, call 1-888-287-0735 M-F8:00-5:00 PACIFIC.



BEFORE ASSEMBLY



BEFORE ASSEMBLY












www.lego.com

ASSEMBLY

CAREFULLY READ AND PERFORM ALL ASSEMBLY INSTRUCTIONS ON THE FOLLOWING PAGES.

Tools Required:

- Adjustable wrench (not provided)
- Screwdriver (not provided)
- 7/16" Combination wrench (not provided)
- The following hardware is provided in blister pack for convenient use.

<p>M4X10 Hex bolt Qty: 2 pcs</p> 	<p>M6X13 screw Qty: 32 pcs</p> 
<p>M5X10 Hex bolt Qty: 4 pcs</p> 	<p>M4X12 screw Qty: 2 pcs</p> 
<p>M4X10 screw Qty: 42 pcs</p> 	<p>AA Battery Qty: 1 pc</p> 
<p>M6 flat washer Qty: 6 pcs</p> 	<p>Wrench Qty: 1 pc</p> 
<p>M5 flat washer Qty: 4 pcs</p> 	

1

Bottom Shelf

- Turn bottom shelf upside down. Attach the front panel to bottom shelf with (8) M4x10 screws.
- Attach the casters to bottom shelf with (16) M6x13 screws.

Note: Install each caster into the correct position as shown in the figure below. The standard caster (non-swiveling) will only install in one direction.

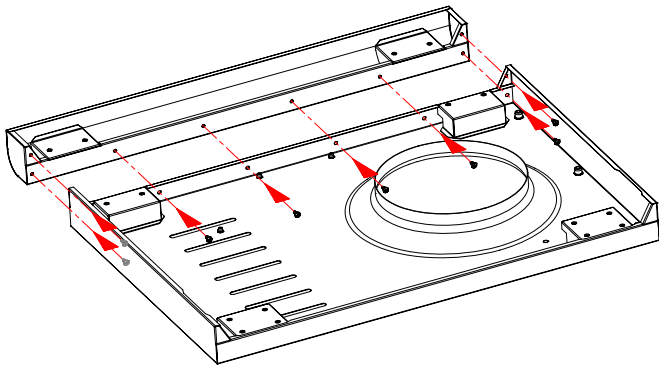
- Turn bottom shelf right side up, lock caster brakes to stabilize unit for further assembly. Attach door magnet box to bottom shelf with (2) M4x10 screws.



M6X13 screw Qty: 16 pcs

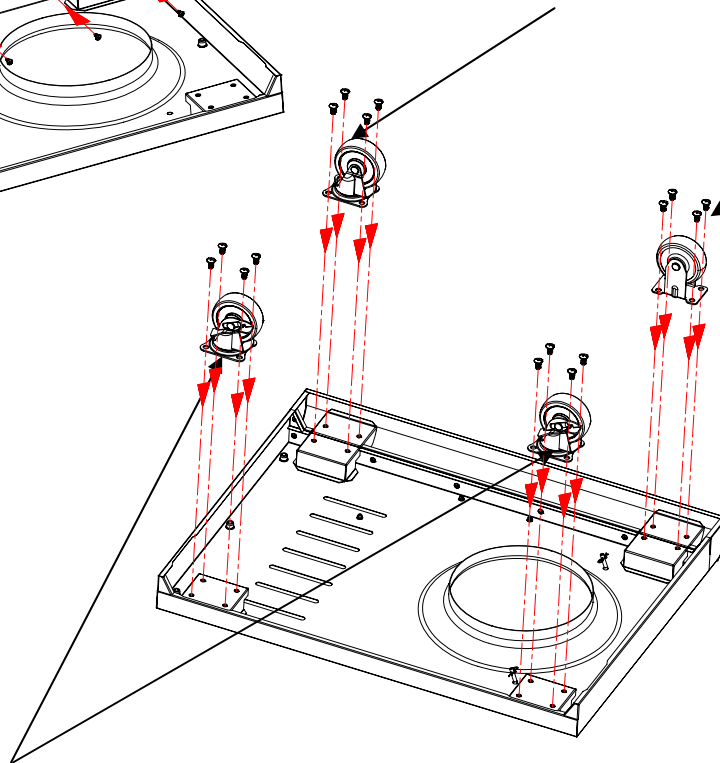


M4X10 screw Qty: 10 pcs

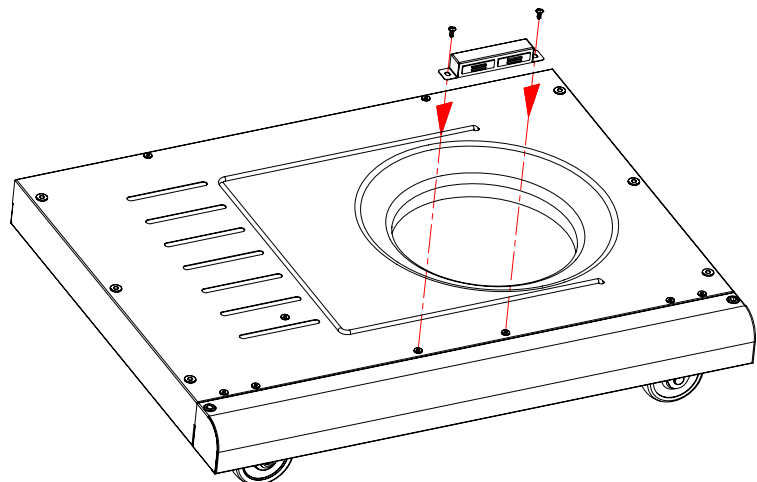


Swivel Caster
(Part No. : 40900213)

Standard Caster
(Part No. : 40900214)



Swivel Caster with Brake
(Part No. : 40900212)



2

Cart

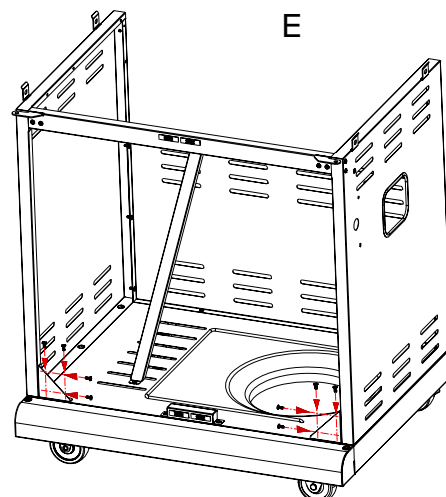
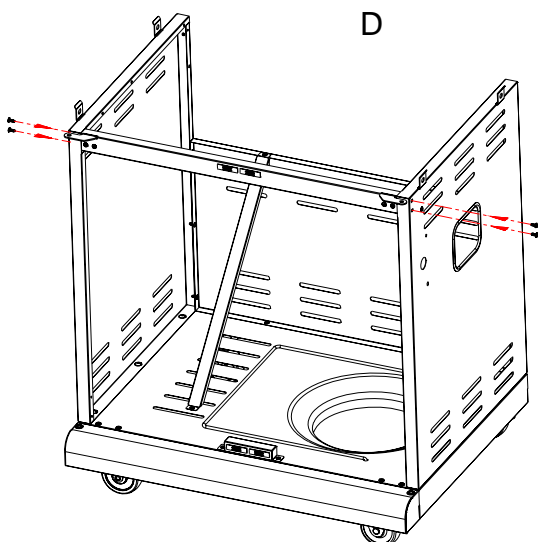
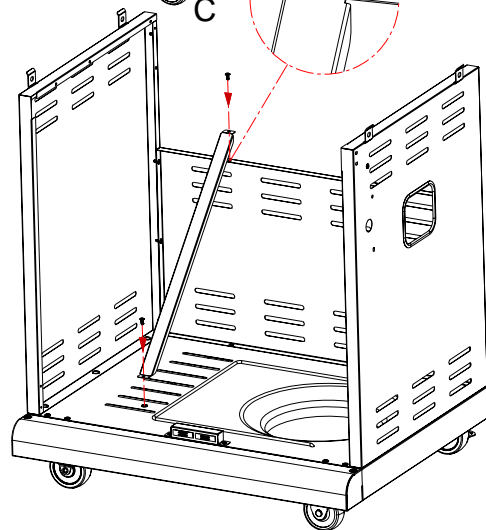
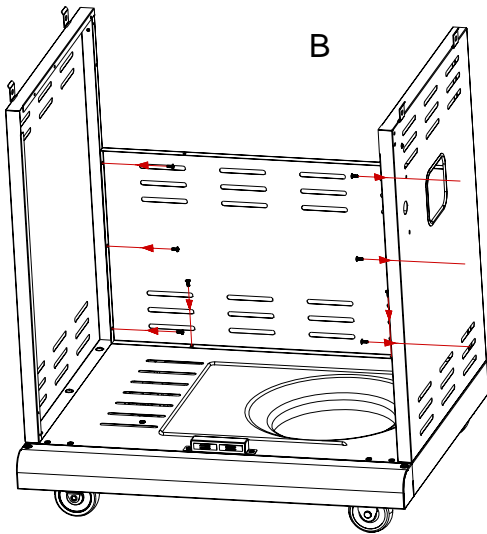
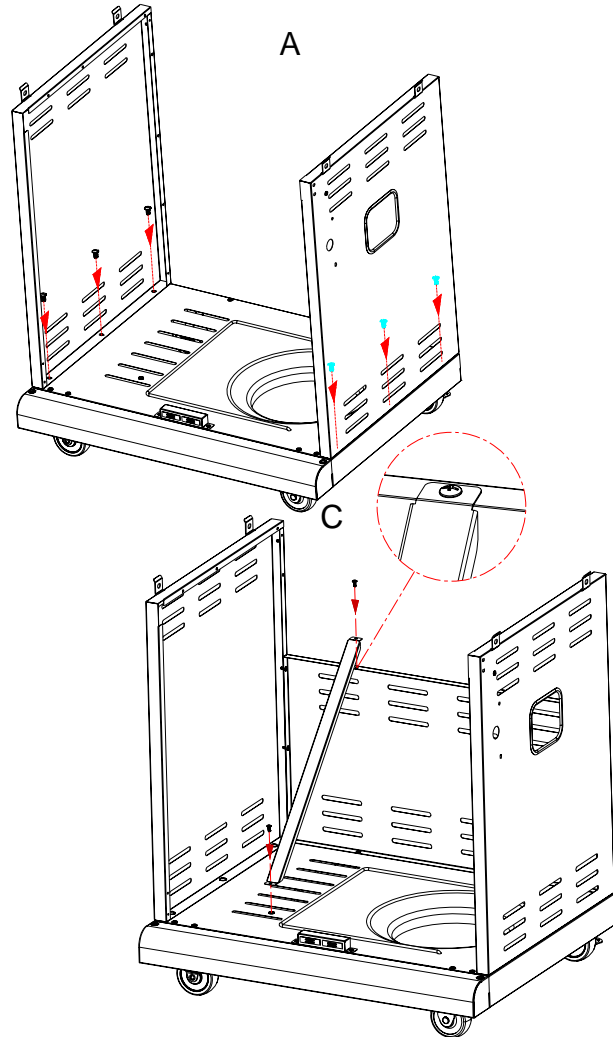
- To attach side panels, align side panel holes with screw insert holes on each side of bottom shelf. Note: Left side panel has match holder attachment.
- Attach but do not fully tighten left and right side panels to bottom shelf with **(6) M6x13 screws**. Leave a small gap beneath the screw heads for easier attachment of panels, brackets and bars in the following steps on this page. (A)
- Attach back panel to bottom shelf and two side panels with **(8) M4x10 screws**. (B)
- Attach tank baffle bar to back panel and bottom shelf with **(2) M4x10 screws**. (C)
- Align door bracket holes with holes on side panels. Attach door bracket to side panels with **(4) M4x10 screws**. (D) Note: Attach bracket so that magnets are at top.
- Align the holes in the cart support angle bars with holes on bottom shelf and side panels. Attach angle bars with **(8) M4x10 screws**. (E) Now fully tighten the 6 screws attaching the side panels to the bottom shelf.



M6X13 screw Qty: 6 pcs



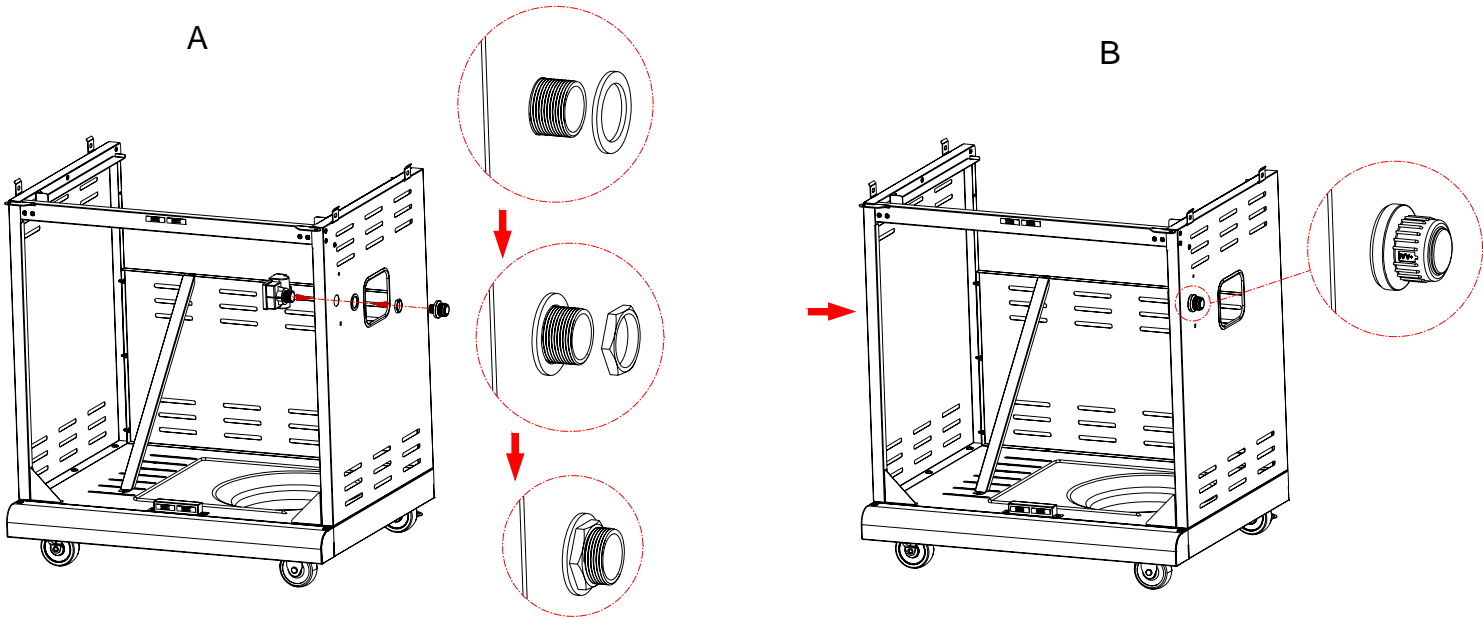
M4X10 screw Qty: 22 pcs



3

Electronic Ignition Module

- Attach electronic ignition module through mounting hole on right side panel. See A
- Insert rubber gasket followed with plastic lock nut and tighten by hand. See A



4

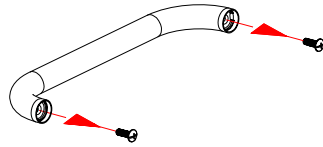
Front Doors

- Attach left and right grease tray brackets to side panels with **(8) M4X10 screws**. See A
- Remove the **(4) M5x15 screws pre-assembled** to the door handle, and use them to attach handles to doors. See B
- Insert the pin at the bottom of each door into the hole on the bottom panel. Insert the pin at the top of each door through the hole in the door bracket hinge. See C

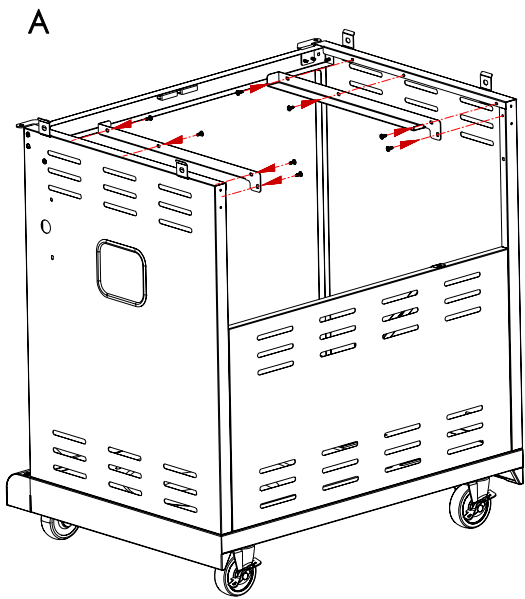
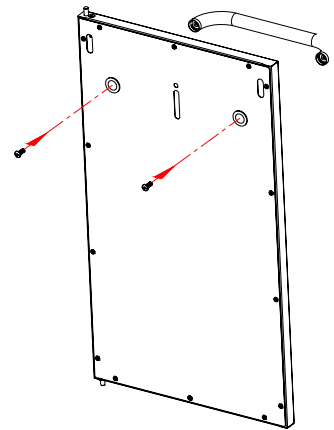
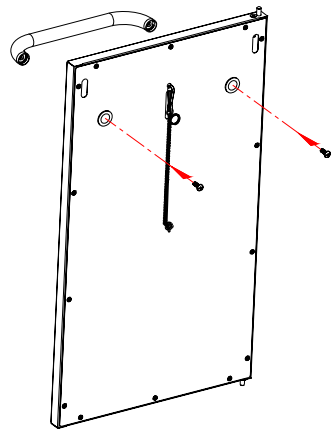
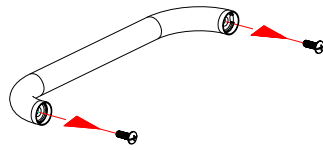
IMPORTANT: If the doors do not line up when closed or do not close freely, the hinges may need to be adjusted. Loosen the hinge screws, adjust the hinge position as necessary, and retighten screws. See C.



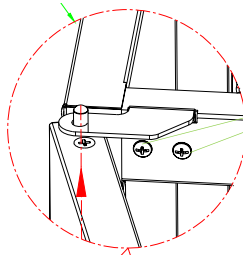
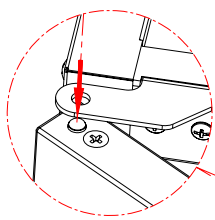
M4X10 screw Qty: 8pcs



B

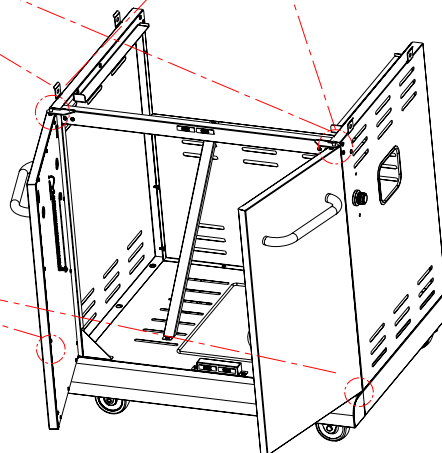
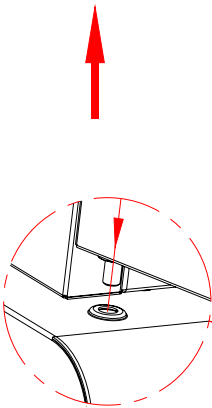


A



Hinge screw

C



5

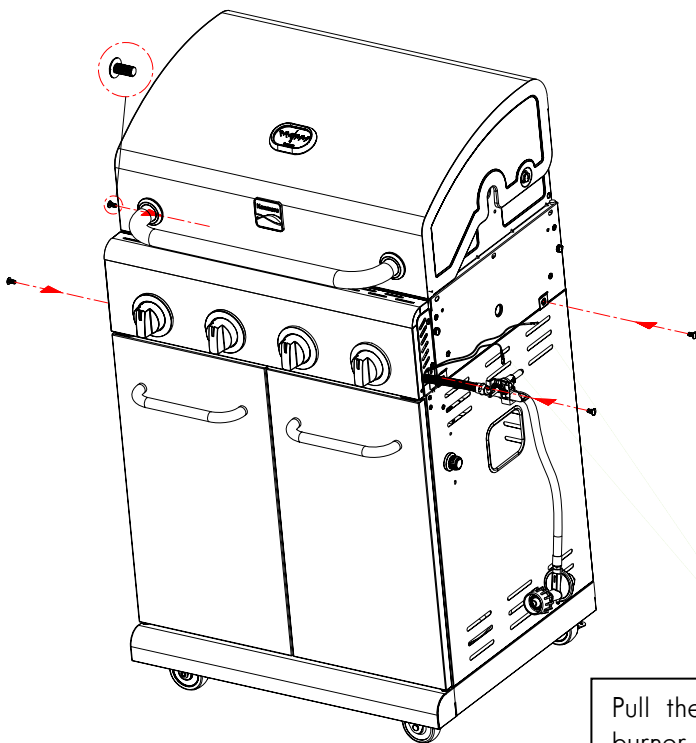
Grill Head to Cart

- This step requires two people to lift and position grill head onto cart.
- If not already done, remove the tie wrap and packing material from regulator hose, burner valve and igniter wires located under control panel. Separate the 2 side burner wires (straight connection tip) from the other 7 wires (right-angle connection tip) shown in step 6. Keep the 7 wires shown in step 6 beneath the grill head and inside the panel, and pull the 2 side burner wires and regulator hose out to the side of the grill head. See A
- Carefully lower the grill head onto the cart. Make sure the regulator hose and 2 side burner wires are hanging outside the cart. Attach head to cart with **(4) M6x13 screws**. See B

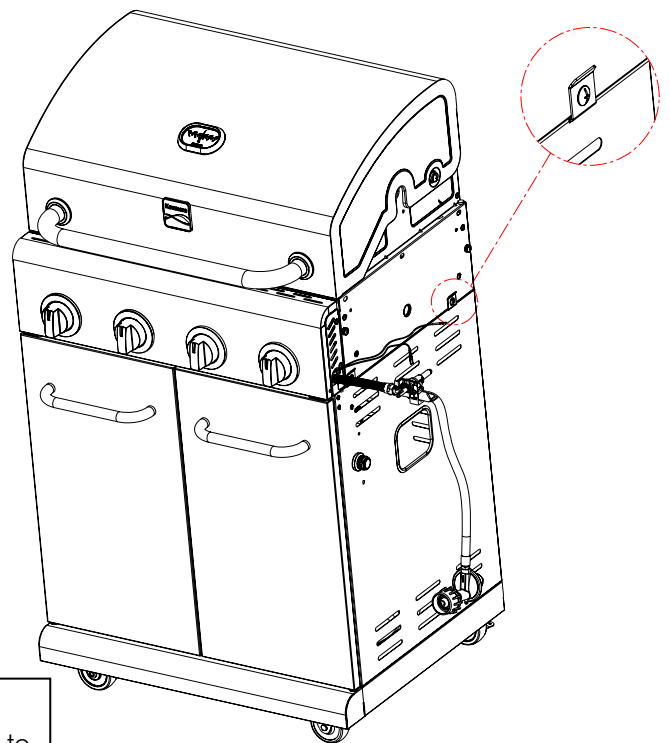


M6X13 screw Qty: 4 pcs

A



B



Pull these 2 side burner wires out to the side of the grill head

6

Burner Electrode and Igniter Cover

- Place the 5 burner electrode wires (thin black), the ground wire (red capped) and the igniter wire (large black) through the pre-installed side panel clamp. See A. Note: If wires are difficult to install, loosen the clamp screw, put the wires through the clamp and retighten the screw.
- Place the 5 thin black wire into the 5 narrow slots in the electronic ignition module. Place the red capped ground wire into the slot outlined in orange. Place the large black wire into the wide slot. See B
- Attach the igniter cover with **(2) M4x10 screws**. See C (**Note:** If cover is hard to install, use a screwdriver to press down on the right door heel hook to remove the door. Install the cover, and reattach door.) See D



M4X10 screw Qty: 2 pcs

A



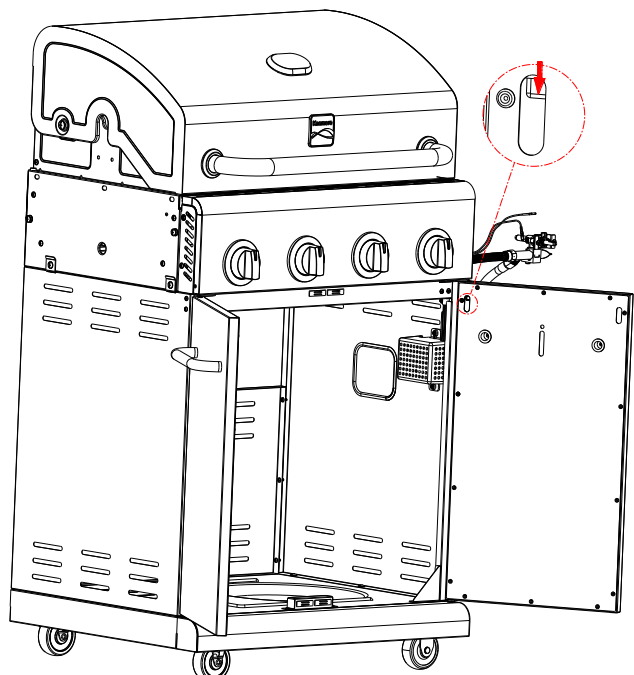
B



C



D



7

Left Side Shelf

□ Slide 4 hooks onto push bar shown below. (A). Hook ends must face away from grill in operation position. Remove the (2) M5x15 screws, lock washers and flat washers pre-assembled to the push bar ends, and use them to attach push bar to shelf. (A). Attach fascia to left side shelf with (2) M5x10 hex bolts and (2) M5 flat washes and (1) M4X10 hex bolt. (B)

□ Hang left side shelf onto two pre-installed screws on left side of firebox. (C)

□ Attach shelf to firebox as follows: - From inside to outside of firebox with (3) M6x13 screws and (3) M6 flat washers. (D) IMPORTANT: Make sure side shelf fascia is aligned with control panel before tightening screws. - From outside to inside of firebox with (1) M4x12 screw. (E)

Fully tighten the pre-installed screws on left side of firebox to complete attachment of left side shelf.



M5X10 hex bolt Qty: 2 pcs



M5 Flat washer Qty: 2 pcs



M4X10 hex bolts Qty: 1pc



M6X13 screw: Qty: 3 pcs

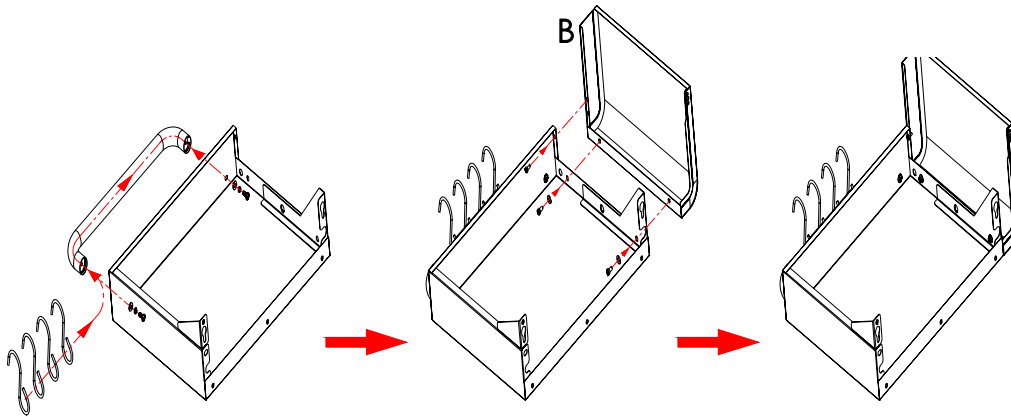


M6 flat washer Qty: 3pcs



M4X12 screw Qty: 1pc

A

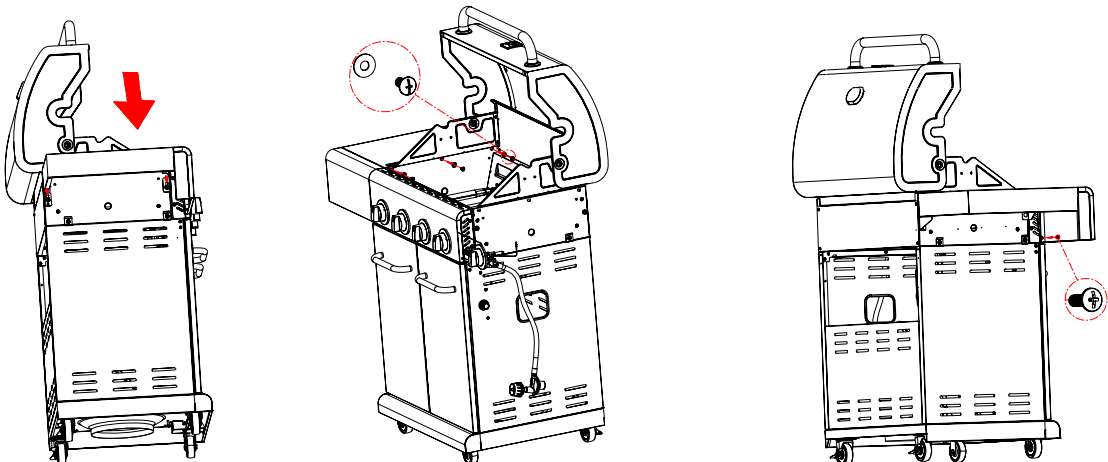


B

C

D

E



8

Right Side Shelf

- Attach fascia to right side shelf with **(2) M5x10 hex bolts** and **(2) M5 flat washers** and **(1) M4X10 hex bolt** with the supplied wrench. (A-B)
 - Hang right side shelf onto two pre-installed screws on right side of firebox. (C)
 - Attach shelf to firebox as follows:
 - From inside to outside of firebox with **(3) M6x13 screws** and **(3) M6 flat washers**. (D)
- IMPORTANT:** Make sure side shelf fascia is aligned with control panel before tightening screws.
- From outside to inside of firebox with **(1) M4x12 screw**. (E)
 - Fully tighten the pre-installed screws on right side of firebox to complete attachment of right side shelf.



M5X10 hex bolt Qty: 2 pcs



M5 flat washer Qty: 2 pcs



M4X10 hex bolt Qty: 1 pc



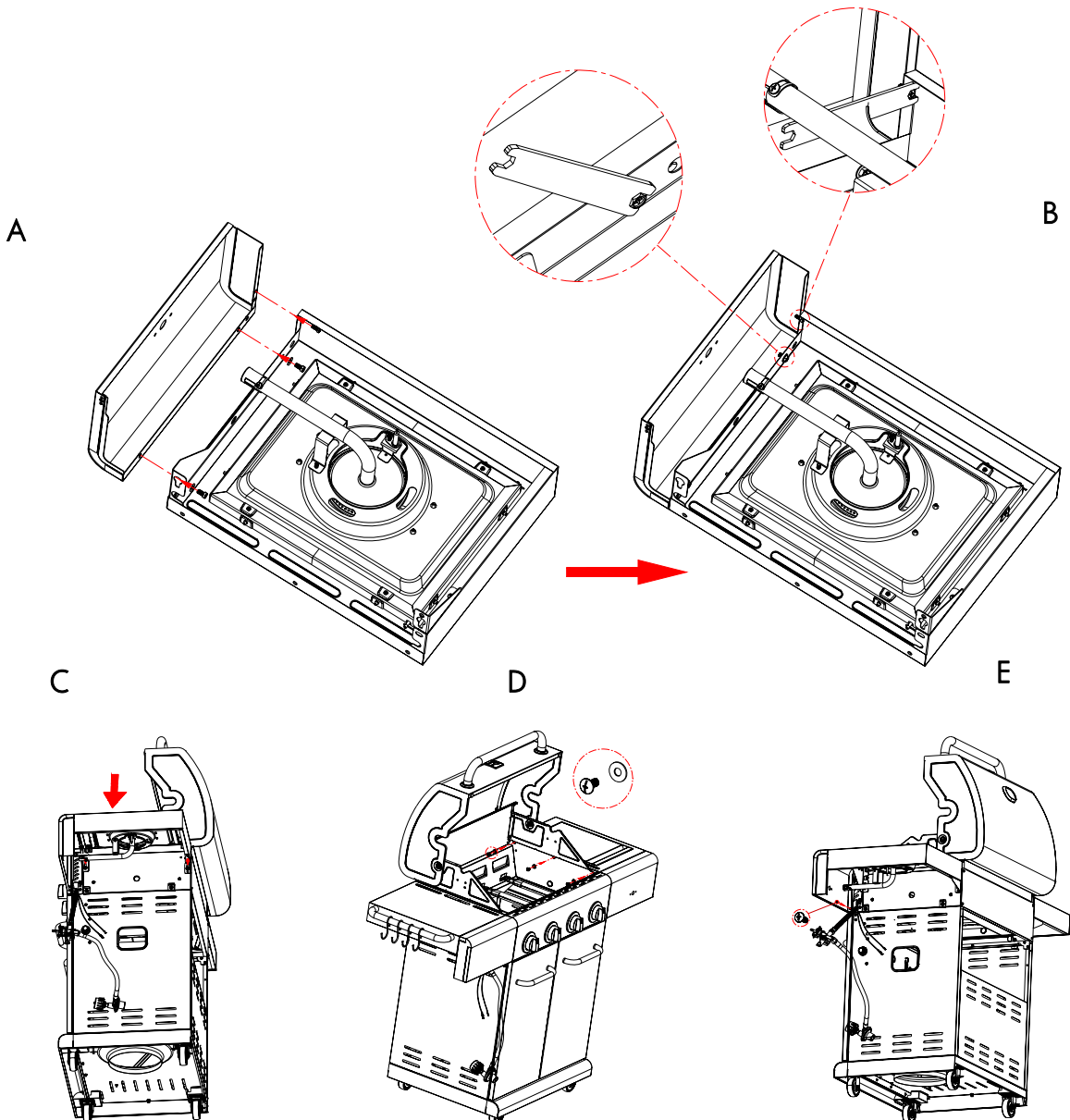
M6X13 screw: Qty: 3 pcs



M6 flat washer Qty: 3 pcs



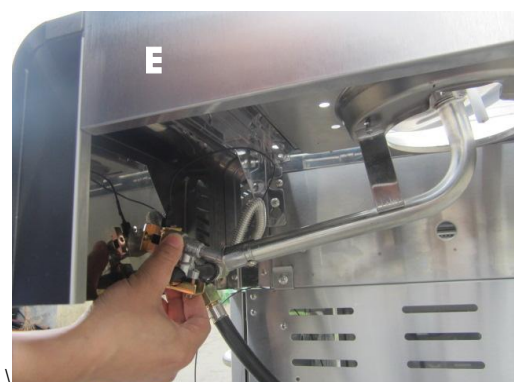
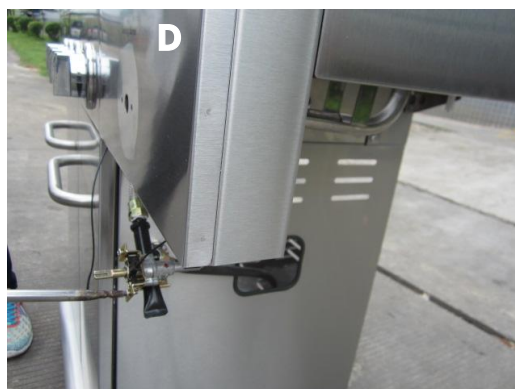
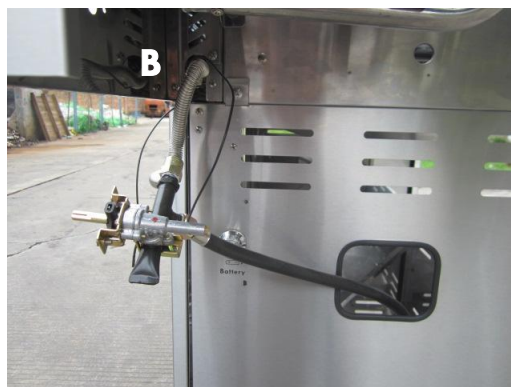
M4X12 screw Qty: 1 pc

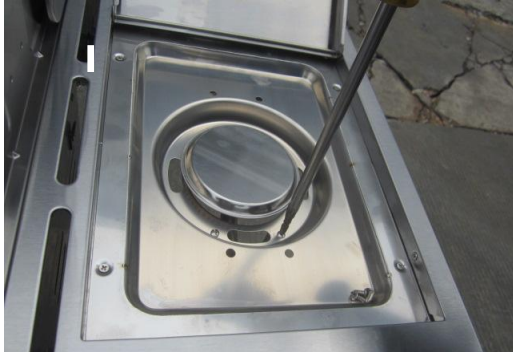


9

Side burner

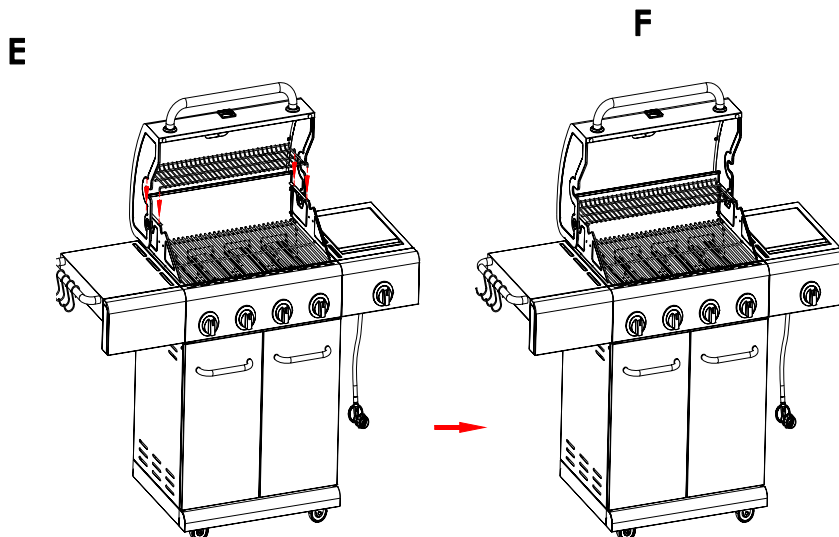
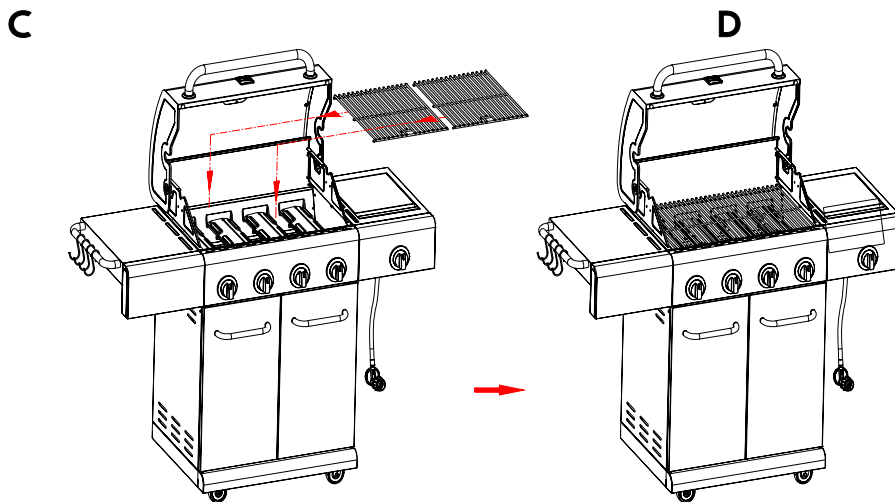
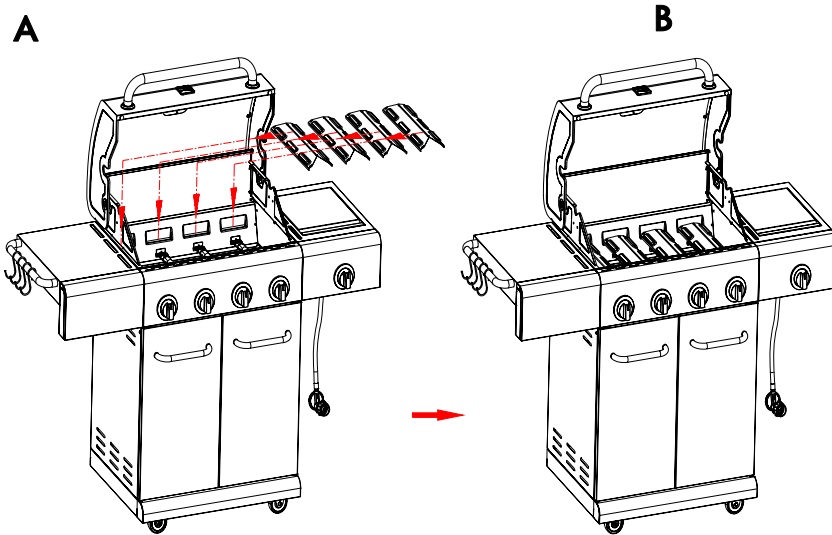
- Loosen side burner in side shelf. (B). To loosen, unscrew and remove two front screws holding side burner in place. (A) . Note: Do not loosen electrode screw.
- Install the igniter wire to side burner valve.(C)
- Remove the 2 pre-installed screws from the valve stem and set them aside. (D)
Insert the gas valve into the side burner tube.Insert valve control stem through hole in fascia. (E) .
- Install previously removed 2 screws .Note: Do not tighten these 2 screws until the bezel is attached to fascia and valve face.(F) .
- Attach bezel to facial and valve face with the installed screws .Firstly attach one side key hole of bezel to the screw ,then attach the other one to the other screw. Make sure the black mark facing up. Tighten the 2 screws .(G) Push control knob onto side burner valve stem. (H)
- Reattach side burner to side burner shelf with the 2 previously removed screws. (I) Replace side burner grate. (J)
- Insert electrode wire into the head of electrode.(K)
- Unscrew igniter cap from control panel. Insert (I) AA battery (provided in blister pack) into battery slot with positive end (+) facing outward. (L)





Heat Diffusers, Cooking Grates and Warming Rack

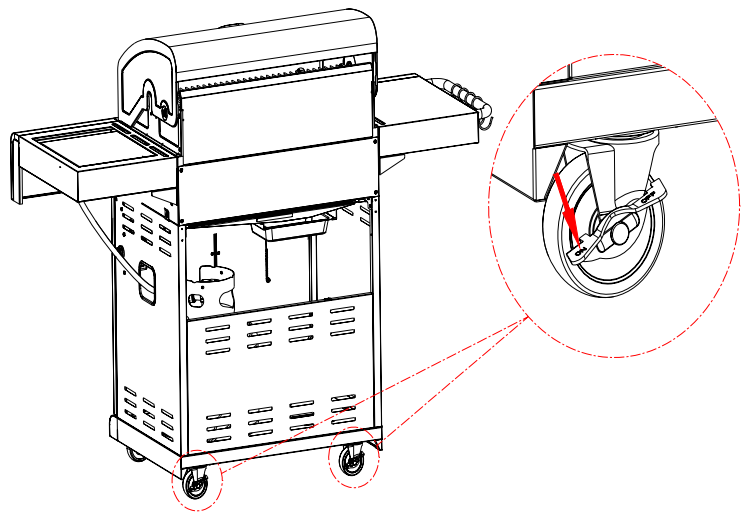
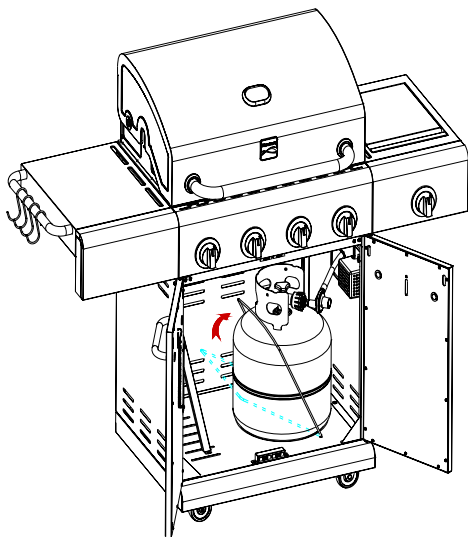
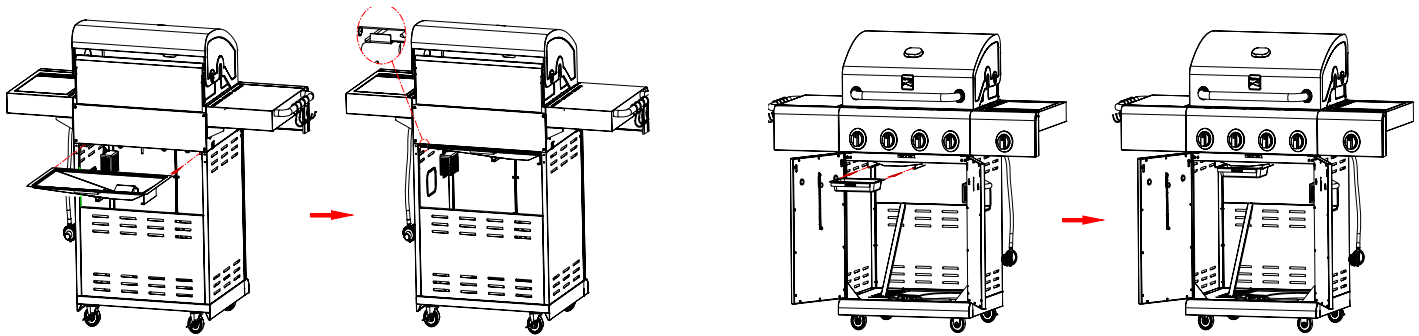
- Place heat diffusers over burners. Diffusers will fit in firebox in either direction.
- Place cooking grates onto grate rests at front and rear of firebox.
- Insert warming rack into brackets at top of firebox as shown.



11

Drip Tray, Drip cup and LP tank

- Insert the drip tray into bottom of firebox from back. Then open the door and insert the drip cup into the drip cup slot.
- Feed the regulator and hose through the hole in the right side panel.
- LP tank is sold separately. Use only with an OPD (Overfill Protection Device) equipped LP tank. Fill and leak check before attaching to grill and regulator.
- Place LP tank into hole in bottom shelf with tank collar opening facing to the front as shown. Raise tank holder to hold LP tank securely in place.
- Always lock caster brakes when grill is in desired cooking location to help grill stay in place for stable operation.



	CAUTION	
<p>Failure to install drip cup clip and cup will cause hot drip to drip from bottom of grill with risk of fire or property damage.</p>		

	CAUTION	
<p>Failure to install tank correctly may allow gas hose to be damaged in operation.</p>		

EMERGENCIES: If a gas leak cannot be stopped, or a fire occurs due to gas leakage, call the fire department.

Problem	Possible Cause	Prevention/Solution
Gas leaking from cracked/cut/burned hose.	<ul style="list-style-type: none"> Damaged hose. 	<ul style="list-style-type: none"> Turn off gas at LP cylinder or at source on natural gas systems. If the hose is cracked or cut but not burned, simply replace valve / hose / regulator. If the hose is burned, the cause could be other than a faulty valve/hose/regulator. Discontinue use of grill until a plumber or gas technician has investigated and corrected the problem.
Gas leaking from LP cylinder.	<ul style="list-style-type: none"> Mechanical failure due to rusting or mishandling. 	<ul style="list-style-type: none"> Replace LP cylinder.
Gas leaking from LP cylinder valve.	<ul style="list-style-type: none"> Failure of cylinder valve from mishandling or mechanical failure. 	<ul style="list-style-type: none"> Turn off LP cylinder valve. Return LP cylinder to gas supplier.
Gas leaking between LP cylinder and regulator connection.	<ul style="list-style-type: none"> Improper installation, connection not tight, failure of rubber seal. 	<ul style="list-style-type: none"> Turn off LP cylinder valve. Remove regulator from cylinder and visually inspect rubber seal for damage. See LP Cylinder Leak Test and Connecting Regulator to the LP Cylinder.
Fire coming through control panel.	<ul style="list-style-type: none"> Fire in burner tube section of burner due to blockage. 	<ul style="list-style-type: none"> Turn off control knobs and LP cylinder valve. Leave lid open to allow flames to die down. After fire is out and grill is cold, remove burner and inspect for spider nests or rust. See Spider Alert and Cleaning the Burner Assembly sections of this Use & Care Guide.
Drip fire or continuous excessive flames above cooking surface.	<ul style="list-style-type: none"> Too much drip buildup in burner area. 	<ul style="list-style-type: none"> Turn off control knobs and LP cylinder valve. Leave lid open to allow flames to die down. After cooling, clean food particles and excess drip from inside firebox area, drip tray, and other surfaces.

Troubleshooting

Problem	Possible Cause	Prevention/Solution
<p>Burner (s) will not light using igniter. (See Electronic Ignition Troubleshooting also)</p> <p>Continued on next page.</p>	<p>GAS ISSUES:</p> <ul style="list-style-type: none"> Trying to light wrong burner. Burner not engaged with control valve. Obstruction in burner. No gas flow. Vapor lock at coupling nut to LP cylinder. Coupling nut and LP cylinder valve not fully connected. Electrode cracked or broken; "sparks at crack. Electrode tip not in proper position. Wire and/or electrode covered with cooking residue. Wires are loose or disconnected. Wires are shorting (sparking) between igniter and electrode. Dead battery. 	<ul style="list-style-type: none"> See instructions on control panel and in Use and Care section. Make sure valves are positioned inside of burner tubes. Ensure burner tubes are not obstructed with spider webs or other matter. See cleaning section of Use and Care. Make sure LP cylinder is not empty. If LP cylinder is not empty, refer to "Sudden drop in gas flow." Turn off knobs and disconnect coupling nut from LP cylinder. Reconnect and retry. Turn the coupling nut approximately one-half to three-quarters additional turn until solid stop. Tighten by hand only - do not use tools. Replace electrode (s). <p>Main Burners:</p> <ul style="list-style-type: none"> Tip of electrode should be pointing toward gas port opening on burner. The distance should be 1/8" to 1/4". Adjust if necessary. <p>Sideburner</p> <ul style="list-style-type: none"> Tip of electrode should be pointing toward gas port opening on burner. the distance should be 1/8" to 3/16". Adjust if necessary. Clean wire and/or electrode with rubbing alcohol and clean swab. Reconnect wires or replace electrode/wire assembly. Replace igniter wire/electrode assembly. Replace with a new AA-size alkaline battery.

Troubleshooting (continued)

Problem	Possible Cause	Prevention/Solution
Burner(s) will not light using igniter. (See Electronic Ignition Troubleshooting also)	ELECTRONIC IGNITION: <ul style="list-style-type: none"> • No spark, no ignition noise. • No spark, some ignition noise. • Sparks, but not at electrode or at full strength. 	<ul style="list-style-type: none"> • See Section I of Electronic Ignition System. • See Section II of Electronic Ignition System. • See Section III of Electronic Ignition System.
Burner(s) will not match light.	<ul style="list-style-type: none"> • See "GAS ISSUES:" on previous page. • Match will not reach. • Improper method of match-lighting. 	<ul style="list-style-type: none"> • Use long-stem match (fireplace match). • See "Match-Lighting" section of Use and Care.
Sudden drop in gas flow or low flame.	<ul style="list-style-type: none"> • Out of gas. • Excess flow valve tripped. • Vapor lock at coupling nut/LP cylinder connection. 	<ul style="list-style-type: none"> • Check for gas in LP cylinder. • Turn off knobs, wait 30 seconds and light grill. If flames are still low, turn off knobs and LP cylinder valve. Disconnect regulator. Reconnect regulator and leak-test. Turn on LP cylinder valve, wait 30 seconds and then light grill. • Turn off knobs and LP cylinder valve. Disconnect coupling nut from cylinder. Reconnect and retry.
Flames blow out.	<ul style="list-style-type: none"> • High or gusting winds. • Low on LP gas. • Excess flow valve tripped. 	<ul style="list-style-type: none"> • Turn front of grill to face wind or increase flame height. • Refill LP cylinder. • Refer to "Sudden drop in gas flow" above.
Flare-up.	<ul style="list-style-type: none"> • Drip buildup. • Excessive fat in meat. • Excessive cooking temperature. 	<ul style="list-style-type: none"> • Clean burners and inside of grill/firebox. • Trim fat from meat before grilling. • Adjust (lower) temperature accordingly.
Persistent drip fire.	<ul style="list-style-type: none"> • Drip trapped by food buildup around burner system. 	<ul style="list-style-type: none"> • Turn knobs to OFF. Turn gas off at LP cylinder. Leave lid in position and let fire burn out. After grill cools, remove and clean all parts.
Flashback... (fire in burner tube(s)).	<ul style="list-style-type: none"> • Burner and/or burner tubes are blocked. 	<ul style="list-style-type: none"> • Turn knobs to OFF. Clean burner and/or burner tubes. See burner cleaning section of Use and Care.
Unable to fill LP cylinder.	<ul style="list-style-type: none"> • Some dealers have older fill nozzles with worn threads. 	<ul style="list-style-type: none"> • The worn nozzles don't have enough "bite" to engage the valve. Try a second LP dealer.
One burner does not light from other burner(s).	<ul style="list-style-type: none"> • Drip buildup or food particles in end(s) of carryover tube(s). 	<ul style="list-style-type: none"> • Clean carry-over tube(s) with wire brush.

Troubleshooting - Electronic Ignition

Problem	Possible Cause	Check Item	Prevention/Solution
<p>SECTION I No sparks appear at any electrodes when control knob turned to HI: no noise can be heard from spark module.</p>	<ul style="list-style-type: none"> • Battery not installed properly. • Dead battery. • Button assembly not installed properly. • Faulty spark module. 	<ul style="list-style-type: none"> • Check battery orientation. • Has battery been used previously? • Check to insure threads are properly engaged. Button should travel up and down without binding. • If no sparks are generated with new battery and good wire connections, module is faulty. 	<ul style="list-style-type: none"> • Install battery (make sure that "+" and "-" connectors are oriented correctly, with "+" end up and "-" end down.) • Replace battery with new AA-size alkaline battery. • Unscrew button cap assembly and reinstall, making sure threads are aligned and engaged fully. • Replace spark module assembly.
<p>SECTION II No sparks appear at any electrodes when control knob turned to HI; noise can be heard from spark module.</p>	<ul style="list-style-type: none"> • Output lead connections not connected. 	<ul style="list-style-type: none"> • Are output connections on and tight? 	<ul style="list-style-type: none"> • Remove and reconnect all output connections at module and electrodes.
<p>SECTION III Sparks are present but not at all electrodes and/or not at full strength</p>	<ul style="list-style-type: none"> • Output lead connections not connected. • Electrical arc between output wires and grill frame. • Weak battery. • Electrodes are wet. • Electrode(s) cracked or broken; sparks appear where cracked. 	<ul style="list-style-type: none"> • Are output connections on and tight? • If possible, observe grill in dark location. Operate ignition system and look for arcing between output wires and grill frame. • All sparks present but weak or at slow rate. • Has moisture accumulated on electrode and/or in burner ports? • Inspect electrodes for cracks. 	<ul style="list-style-type: none"> • Remove and reconnect all output connections at module and electrodes. • If sparks are observed other than from burner(s), wire insulation may be damaged. Replace wires. • Replace battery with a new AA-size alkaline battery. • Use paper towel to remove moisture. • Replace cracked or broken electrodes.

 **PELIGRO** 

Si siente olor a gas:

1. Cierre el paso de gas al aparato.
2. Apague toda llama al descubierto.
3. Abra la tapa.
4. Si persiste el olor, aléjese del aparato y llame inmediatamente al proveedor local de gas o a los bomberos.

 **ADVERTENCIA** 

1. No guarde ni use gasolina ni otros líquidos o gases inflamables cerca de éste ni de cualquier otro aparato.
2. No guarde un tanque de gas propano, que no esté conectado, cerca de éste ni de cualquier otro aparato.

Póngase en contacto con el servicio de atención al cliente de Permasteel para obtener ayuda y piezas

Si tiene preguntas o necesita asistencia durante el montaje, Por favor llame al 1-888-287-0735. M - F 8:00 - 5:00 Pacífico. Usted estará hablando con un Representante del fabricante de la parrilla.

Inscripción del producto

IMPORTANTE: Llene la siguiente información.

Número de modelo _____

Número de serie _____

El número de serie se encuentra en la etiqueta de especificaciones de la parrilla.

Fecha de compra _____

 **CAUTION** 

Sólo para uso residencial. No utilice para la cocina comercial.

Precauciones de instalación

- Por favor lea este Manual del usuario en su totalidad antes de usar la parrilla.
- El incumplimiento de la instrucción proporcionada puede resultar en lesiones graves o daños a la propiedad.
- Algunas partes de esta parrilla pueden tener bordes afilados. Por favor, utilice guantes de protección adecuados.
- Parrilla de uso, como compró, únicamente con propano gas y thereregulator/válvula suministrada.
- Parrilla de instalación debe cumplir con los códigos locales o en su ausencia de códigos locales, ya sea con el código nacional de Gas combustible, ANSI Z223.1 / NFPA 54, Gas Natural y propano instalación código, CSA B149.1, o almacenaje de propano y código de manipulación, B149.2 o la norma para vehículos recreativos, ANSI una 119.2/NFPA 1192 y CSA Z240 RV Series, código de vehículo recreativo, según sea el caso.
- Todos los accesorios eléctricos (como soporte) deben ser eléctricamente puesta a tierra según los códigos locales, o el código eléctrico nacional, ANSI / NFPA 70 o código eléctrico canadiense CSA C22.1. Mantenga cualquier cables eléctricos o mangueras de suministro de combustible de cualquier superficie caliente. • Esta parrilla es seguridad certificado para su uso en los Estados Unidos y Canadá solamente. No modifique para el uso en cualquier otro lugar. Modificación dará lugar a un riesgo de seguridad.

IMPORTANT: Esta parrilla está diseñada para uso al aire libre solamente y no pretende instalarse en o en remolques o barcos.

NOTE TO INSTALLER: Deje este Manual con el cliente después de la entrega o instalación.

NOTE TO CONSUMER: Deje este Manual en un lugar conveniente para referencia futura.

Símbolos de seguridad

Los símbolos y las cajas que se muestra a continuación explicaron lo que significa cada línea. Lea y siga todos los mensajes que se encuentran en el manual de.

 **PELIGRO** 

PELIGRO: Indica una situación inminentemente peligrosa que, si no se evita, resultará en muerte o lesiones graves.

 **ADVERTENCIA** 

ADVERTENCIA: Indica una situación potencialmente peligrosa que, si no se evita, podría resultar en lesiones graves o la muerte.

 **CAUTION** 

CAUCIÓN: Indica una situación potencialmente peligrosa o una practica insegura que, si no se evita, podría resultar en lesiones menores o moderadas.

ÍNDICE DE MATERIAS

Por su propia seguridad 33
Centro de servicio para parrillas.. 33
Información de inscripción de la garantía 33
Símbolos de seguridad. 33
Medidas de seguridad para la instalación 33
Garantía para la parrilla Kenmore 35
Uso y mantenimiento 36-42
Lista de piezas 43
Vista esquemática de las piezas 44
Armado 45-48
Antes De La Asamblea 49-60
Resolución de problemas 61-63



PROPOSICIÓN DE CALIFORNIA 65

1. subproductos de combustión producidos al usar este producto contienen sustancias químicas conocidas por el estado de California causan cáncer, defectos congénitos y otros daños reproductivos.

2. este producto contiene productos químicos, incluidos compuestos de plomo y plomo en latón. También produce subproductos de la combustión cuando se utiliza. Estas sustancias son conocidas en el estado de California causan cáncer, defectos congénitos u otros daños reproductivos

Lávese las manos después de manipular este.

GARANTÍA LIMITADA DE KENMORE

CON PRUEBA DE VENTA: la siguiente cobertura de garantía se aplica cuando este electrodoméstico se instala, opera y mantiene correctamente de acuerdo con todas las instrucciones provistas. Nota: El consumidor es responsable del envío y manejo de todas las piezas de repuesto bajo garantía.

POR UN AÑO: a partir de la fecha de venta, esta parrilla está garantizada contra defectos de materiales o mano de obra, el consumidor recibirá piezas de repuesto gratuitas junto con un comprobante de compra, el consumidor es responsable del costo de envío y manipulación.

POR CINCO AÑOS: a partir de la fecha de venta, se reemplazará cualquier quemador de acero inoxidable que se oxide o se quemare, se debe presentar un comprobante de compra y el consumidor es responsable del costo de envío y manipulación.

Toda la cobertura de la garantía excluye la pérdida de pintura, decoloración o oxidación de la superficie de la parrilla, que son piezas desechables que pueden desgastarse por el uso normal dentro del período de garantía o son condiciones que pueden ser el resultado de un uso normal, accidente o mantenimiento incorrecto .

Toda la cobertura de la garantía quedará anulada si este electrodoméstico se utiliza alguna vez para fines ajenos al hogar. Para obtener detalles sobre la cobertura de la garantía para obtener piezas de repuesto, visite la página web: www.permasteel.net

Esta garantía cubre ÚNICAMENTE defectos de materiales y mano de obra, y NO pagará por:

1. Artículos consumibles que pueden desgastarse por el uso normal dentro del período de garantía, incluidas, entre otras, baterías, bombillas de luz con base atornillable y revestimientos o acabados de la superficie.
2. Un técnico de servicio para limpiar o mantener este dispositivo, o para instruir al usuario sobre la correcta instalación, operación y mantenimiento del dispositivo.
3. Llamadas de servicio para corregir la instalación del artefacto no realizada por los agentes de servicio autorizados de Sears, o para reparar problemas con fusibles domésticos, interruptores automáticos, cableado de viviendas y sistemas de plomería o suministro de gas resultantes de dicha instalación.
4. Daño o falla de este electrodoméstico como resultado de la instalación no realizada por los agentes de servicio autorizados de Sears, incluida la instalación que no estaba de acuerdo con los códigos eléctricos, de gas o de plomería.
5. Daños o fallas de este artefacto, incluida la decoloración o el óxido de la superficie, si no se opera y mantiene correctamente de acuerdo con todas las instrucciones provistas.
6. Daños o fallas de este artefacto, incluida la decoloración o la corrosión superficial, como resultado de un accidente, alteración, abuso, uso indebido o uso distinto del previsto.
7. Daños o fallas de este artefacto, incluida la decoloración o la oxidación de la superficie, causados por el uso de detergentes, limpiadores, productos químicos o utensilios distintos de los recomendados en todas las instrucciones suministradas con el producto.
8. Daños o fallas de este electrodoméstico como resultado de catástrofes naturales o de otro tipo, como inundaciones, incendios o tormentas.
9. Daño o falla de partes o sistemas como resultado de modificaciones no autorizadas hechas a este electrodoméstico.
10. Servicio a un electrodoméstico si el modelo y la placa de serie faltan, están alterados o no se puede determinar fácilmente que tengan el logotipo de certificación apropiado.

Descargo de responsabilidad de las garantías implícitas; limitación de remedios

El único y exclusivo remedio del cliente bajo esta garantía limitada será la reparación o el reemplazo del producto según lo dispuesto en este documento. Las garantías implícitas, incluidas las garantías de comerciabilidad o idoneidad para un fin determinado, están limitadas a dos años en el electrodoméstico, cinco años a difusores de calor, quince años a quemadores y veinticinco años en paredes laterales, tapadera y parrillas, o el más corto Período permitido por la ley. El vendedor no será responsable por daños incidentales o consecuentes. Algunos estados y provincias no permiten la exclusión o limitación de daños incidentales o consecuentes, o la limitación de la duración de las garantías implícitas de comerciabilidad o adecuación, por lo que estas exclusiones o limitaciones pueden no aplicarse en su caso.

Esta garantía le otorga derechos legales específicos, y también puede tener otros derechos que varían de estado a estado.

USOS Y MANTENIMIENTO



PELIGRO



- **NUNCA** guarde un cilindro de gas de repuesto debajo o cerca del aparato o en un **areacerrada**.



- **Nunca llene un cilindro más allá del 80% completo.**
- **Si la información en los dos puntos anteriores no se siguen exactamente, un incendio causando la muerte o pueden producir lesiones graves.**
- **Un cilindro de un llenado excesivo o mal almacenado es un peligro debido a la liberación de gas posible de la válvula de seguridad. Esto podría causar un fuego intenso con riesgo de daños a la propiedad, lesiones graves o la muerte.**
- **Si usted observa, huele o escucha gas escapar, alejarse del cilindro de gas LP y el artefacto inmediatamente y llame a los bomberos.**

Remoción, transporte y almacenamiento del tanque de gas propano

- Apague todas las perillas de control y válvula de tanque de gas LP. Antihorario, la tuerca de acoplamiento con la mano solamente - no use herramientas para desconectar. Levante el tanque de LP alambre hacia arriba del cuello de tanque de LP, luego levante el tanque de gas LP y de soporte. Instale la tapa de seguridad en la válvula del tanque de gas LP. Use siempre correa provista de válvula y tapa.

No usar el tapón de seguridad según las instrucciones puede resultar en lesiones personales graves y/o daños a la propiedad.

LP Tank Valve



Safety Cap
Retainer Strap

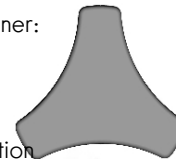
- Un tanque de gas LP desconectado en almacenamiento o transporte debe tener una tapa de seguridad instalada (como se muestra). No almacene un tanque de gas LP en espacios cerrados como una cochera, garaje, porche, patio cubierto u otro edificio. Nunca deje un tanque de gas LP dentro de un vehículo que puede ser recalentado por el sol.
- No almacene un tanque de gas LP en un área donde los niños juegan.

Tanque de gas propano

- El cilindro de gas LP con la parrilla debe cumplir los siguientes requisitos:

- Utilice cilindros de propano licuado solo con estas medidas requiere: 12" (30,5 cm) (diámetro) x 18" (45,7 cm) (alto) con 20 libras (9 kg.) Capacidad máxima.
- Cilindros de propano licuado deben ser y de acuerdo con las especificaciones para cilindros de propano del Departamento de transporte de Estados Unidos (DOT) o de Canadá, CAN/CSA-B339, cilindros, esferas y tubos para el transporte de mercancías peligrosas. Transporte Canadá (TC). Ver collar del tanque LP para la marca.

- Válvula de cilindro de gas LP debe tener:
- Enchufe del tipo 1 compatible con el regulador o la parrilla.
 - Válvula de descarga de seguridad.
 - La UL enumerada sobrellena Protection Device (OPD). Esta característica de **OPD Hand Wheel** la seguridad de OPD es identificada por un manubrio triangular único. **Utilice solamente los cilindros del LP equipados de este tipo de válvula.**



- El cilindro del LP debe ser arreglado para el retiro del vapor e incluir el collar para proteger la válvula del cilindro del LP. Mantenga siempre los cilindros del LP la posición vertical durante uso, tránsito o almacenaje.



Cilindro del LP en la posición vertical para el retiro del vapor

El gas propano (GLP)

- El gas del LP es no tóxico, inodoro y descolorido cuando está producido. Para su seguridad, el gas del LP se ha dado un olor (similar a la col putrefacta) para poderla oler.
- El gas del LP es altamente inflamable y puede encender inesperado cuando está mezclado con aire.

Carga de los tanques de gas propano

- Utilice solamente los distribuidores licenciados y experimentados.
- El distribuidor del LP debe purgar el cilindro nuevo antes de llenar.
- El distribuidor debe **NUNCA** llenar el cilindro más el de 80% del LP del volumen del cilindro del LP. El volumen de propano en cilindro variará por temperatura.
- Un regulador escarchado indica que el gas sobrellena. La válvula inmediatamente cercana y la llamada LP local del cilindro del LP proveen de gas a distribuidor para la ayuda.
- No lance el gas líquido del propano (LP) en la atmósfera. Esto es una práctica peligrosa.
- Para quitar el gas del cilindro del LP, entre en contacto con a distribuidor del LP o llame un cuerpo de bomberos local para la ayuda. Compruebe la guía de telefonos bajo "compañías del gas" para saber si hay distribuidores certificados más cercanos del LP.

Cambio del tanque de gas

- Muchos comerciantes minoristas que venden parrillas, le ofrecen la opción de cambiar su tanque de gas vacío mediante un servicio de recambio. Emplee únicamente empresas de recambio de buena reputación, que inspeccionen, carguen con precisión, verifiquen y certifiquen sus cilindros. **Cambie su tanque sólo por otros tanques equipados con el dispositivo de seguridad volumétrica que se describe en la sección de *Tanques de gas* de este manual.**
- Siempre mantenga los tanques de gas, nuevos y de repuesto, en posición vertical durante su uso, su transporte o su almacenamiento.
- Verifique que los tanques de gas, nuevos o de recambio, no tengan fugas ANTES de conectarlos a la parrilla.

Prueba para detectar fugas del tanque de gas propano Por su propia su seguridad

- La prueba de escape debe ser repetida cada vez que se intercambia o se rellena el tanque del LP.
- No fume durante prueba de escape.
- No utilice una llama abierta a la comprobación para escapes del gas.
- La parrilla debe ser escape probado al aire libre en un área bien-ventilada, lejos de fuentes de ignición tales como aplicaciones de gas o eléctricas. Durante prueba de escape, parrilla de la subsistencia lejos de las llamas abiertas o chispas.
- Utilice una brocha limpia y solución una 50/50 suave del jabón y del agua. Cepille la solución jabonosa sobre las áreas indicadas por las flechas en figura abajo. Los escapes son indicados creciendo burbujas.

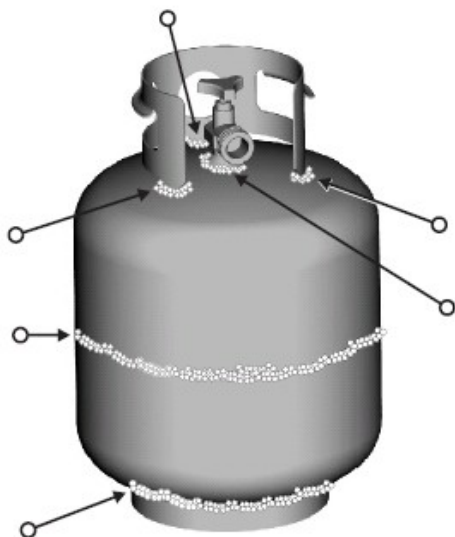


ADVERTENCIA



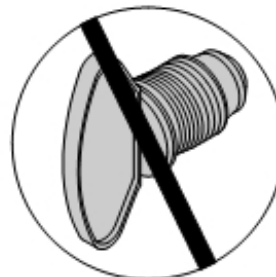
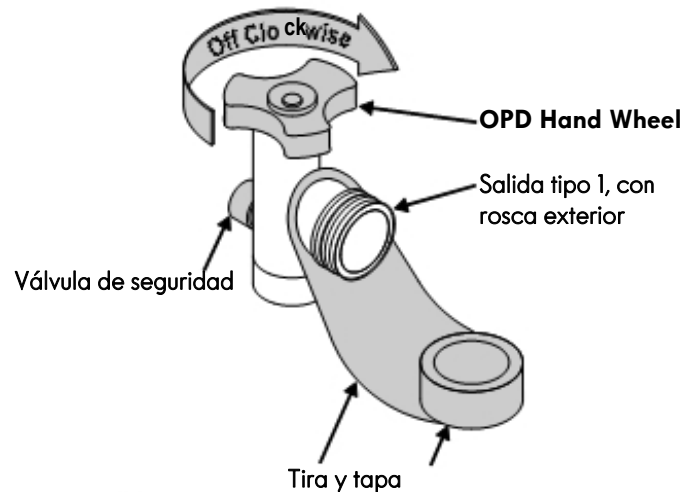
Si aparecen burbujas que aumentan de tamaño, no use ni mueva el tanque de gas. ¡Comuníquese con el proveedor de gas propano o con los bomberos!

▲ **No use productos de limpieza del hogar.** Esto puede dañar los componentes del circuito de gas.



Como conectar el regulador al tanque de gas propano

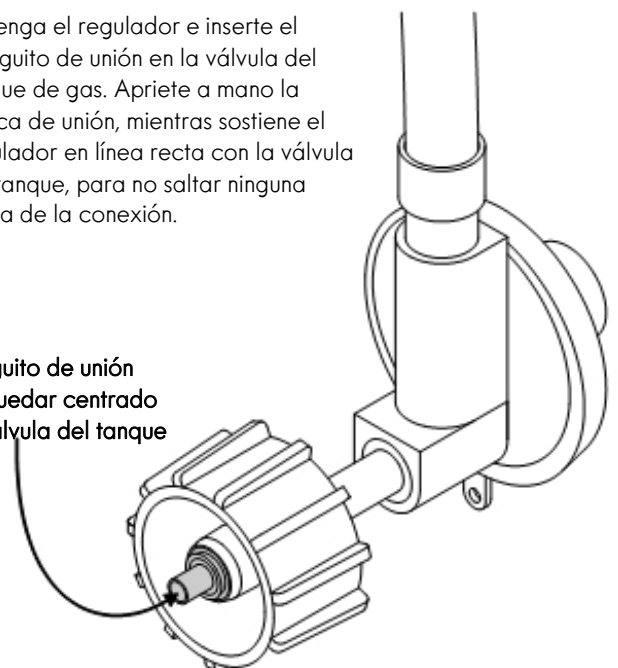
1. El tanque del LP se debe asegurar correctamente sobre parrilla. (Refiera a la sección de la asamblea.)
2. Dé vuelta a todas las perillas de control a la posición de reposo.
3. Dé vuelta al tanque del LP APAGADO dando vuelta al manubrio de OPD a la derecha a una parada completa.
4. Quite la tapa protectora de la válvula del tanque del LP. Utilice siempre el casquillo y la correa proveídos de la válvula.

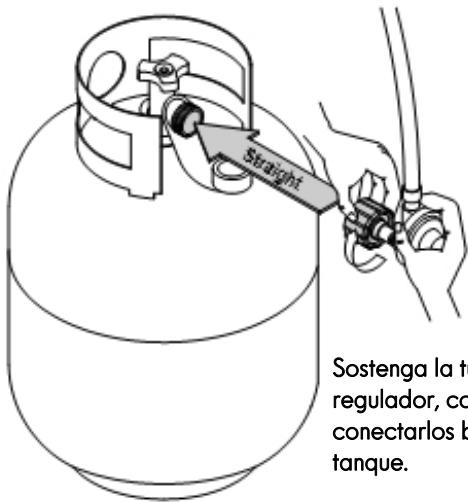


No use un tapón POL para transporte (la pieza de plástico con roscas en el exterior). Anulará la característica de seguridad de la válvula.

5. Sostenga el regulador e inserte el manguito de unión en la válvula del tanque de gas. Apriete a mano la tuerca de unión, mientras sostiene el regulador en línea recta con la válvula del tanque, para no saltar ninguna rosca de la conexión.

El manguito de unión debe quedar centrado en la válvula del tanque de gas.





Sostenga la tuerca de unión y el regulador, como se ilustra, para conectarlos bien a la válvula del tanque.

- Gire la tuerca de unión en el sentido de las agujas del reloj, apretándola hasta que no se mueva más. El regulador formará un sello en el dispositivo de seguridad de la válvula del tanque, lo que creará cierta resistencia. **Se deberá hacer girar la tuerca entre un cuarto y tres cuartos de vuelta adicionales, para completar la conexión. Apriétela a mano únicamente -- no use herramientas.**

NOTA:

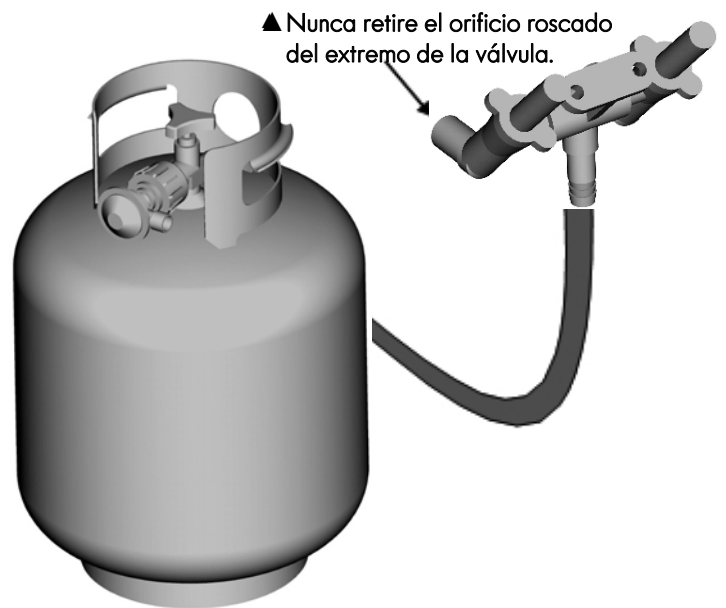
Si no puede completar la conexión, desconecte el regulador y repita los pasos 5 y 6. Si a pesar de haberlo hecho, todavía no puede completar la conexión, **¡no use este regulador** 1-888-287-0735 M-F 8:00-5:00 Pacífico

	PELIGRO	
<ul style="list-style-type: none"> No introduzca ninguna herramienta ni ningún objeto extraño en la salida de la válvula ni en la válvula de seguridad. Puede dañarla y causar una fuga. Las fugas de gas propano pueden causar explosiones, incendios, lesiones graves o la muerte. 		

	ADVERTENCIA	
<ul style="list-style-type: none"> El aparato a gas para uso al aire libre no ha sido diseñado para ser instalado en embarcaciones. El aparato a gas para uso al aire libre no ha sido diseñado para ser instalado en vehículos de recreo. Nunca trate de conectar esta parrilla al sistema de gas propano independiente de un remolque de recreo o de una casa rodante. No use la parrilla sin antes haber verificado que no tenga fugas. En caso de detectar una fuga en cualquier momento, DETÉNGASE y llame a los bomberos. Si no puede detener una fuga de gas, ¡cierre de inmediato la válvula del tanque de gas y llame al distribuidor o a los bomberos! 		

Prueba para detectar fugas de las válvulas, las mangueras y el regulador

- Gire todas las perillas de control de la parrilla a la posición de APAGADO.
- Cerciórese de que el regulador esté bien conectado al tanque de gas.
- Abra por completo la válvula del tanque, girando la manilla en sentido contrario a las agujas del reloj. Si escucha un *sonido de ráfaga*, cierre de inmediato el paso de gas. La conexión tiene una fuga considerable. **Corrija esta situación antes de continuar** 1-888-287-0735 M-F 8:00-5:00 Pacífico
- Aplique solución jabonosa con la brocha, en las áreas marcadas con un círculo en la ilustración que sigue.



- Si aparecen burbujas **que aumentan de tamaño**, existe una fuga. Cierre de inmediato la válvula del tanque de gas y vuelva a apretar las conexiones. **Si no puede eliminar las fugas, no intente repararlas.** Solicite una pieza de repuesto. Encargue las piezas nuevas indicando el número de serie, de modelo y el nombre de las piezas que requiera (vea la lista de piezas), llamando al centro de servicio para parrillas al 1-888-287-0735 M-F 8:00-5:00 Pacífico
- Después de hacer una prueba para detectar fugas, cierre siempre la válvula del tanque de gas, girando la manilla en el sentido de las agujas del reloj.

⚠ **ADVERTENCIA** ⚠

Para usar su parrilla en forma segura y para evitar lesiones graves:

- No deje que los niños usen la parrilla ni que jueguen cerca de la misma.
- Mantenga el área de la parrilla limpia y sin materiales combustibles.
- No obstruya los agujeros laterales ni los de la parte posterior de la parrilla.
- Revise periódicamente las llamas del quemador.
- Use la parrilla sólo en lugares bien ventilados. **NUNCA** la use en lugares cerrados tales como cocheras, garajes, porches, patios techados o debajo de superficies de ningún tipo.
- No use carbón ni briquetas de cerámica en una parrilla a gas. *(Salvo que las briquetas vengan con su parrilla.)*
- **Use la parrilla al menos a 3 pies de distancia de cualquier pared o superficie.** Deje un espacio de 10 pies entre la parrilla y los objetos que puedan incendiarse o que sean fuentes de ignición, tal como las llamas de encendido de calentadores de agua, electrodomésticos conectados,



Pídale al administrador que le indique los requisitos y los códigos contra incendios que corresponden al uso de parrillas de gas propano en un edificio de apartamentos. Si se le permite usarla, hágalo al aire libre, en la planta baja, dejando un espacio libre de tres (3) pies entre la parrilla y las paredes o las barandillas. No la use en balcones o debajo de los mismos.

- **NUNCA** trate de encender el quemador con la tapa cerrada. Las acumulaciones de gas no encendido en las parrillas tapadas son peligrosas.
- Nunca use la parrilla si el tanque de gas no está en la posición correcta que se especifica en las instrucciones de ensamblado.
- Siempre cierre la válvula del tanque de gas y retire la tuerca de unión antes de mover el tanque del sitio específico de uso.

Consejos de seguridad

- ▲ Verifique que la tuerca de unión esté bien apretada antes de abrir la válvula del tanque de gas.
- ▲ Cuando no use la parrilla, cierre todas las perillas de control y la válvula del tanque de gas.
- ▲ Si la aplicación al aire libre del gas que cocina no es adentro uso, el gas se debe dar vuelta apagado en el cilindro de la fuente. El almacenaje de una aplicación al aire libre del gas que cocina dentro es permitido solamente si el cilindro se desconecta y se quita de la aplicación.
- ▲ Nunca mueva la parrilla cuando la esté usando o mientras esté caliente.
- ▲ Use utensilios para parrilla de mango largo y guantes para hornear, para evitar quemaduras y salpicaduras.
- ▲ El peso máximo que soportan los estantes laterales es 10 lb.
- ▲ La lata para la grasa **debe** estar colocada en su presilla, y se debe vaciar cada vez, después de usarla. No retire la lata para la grasa hasta que la parrilla se haya enfriado por completo.
- ▲ Limpie la parrilla con frecuencia; de preferencia cada vez después de usarla. Si utiliza un cepillo de cerdas para limpiar las superficies para cocinar, antes de usar la parrilla verifique que no queden cerdas sueltas sobre éstas. Se recomienda no limpiar las superficies para cocinar cuando la parrilla esté aún caliente.
- ▲ Si observa que de la parrilla caen gotas de grasa u otras sustancias calientes a la válvula, la manguera o el regulador, cierre inmediatamente el paso de gas. Establezca la causa, corrija el problema, limpie e inspeccione la válvula, la manguera y el regulador, antes de proseguir. Haga una prueba para detectar fugas.
- ▲ El regulador puede emitir un sonido zumbante o sibilante durante su uso. Esto no afectará la seguridad ni el uso de la parrilla.
- ▲ Utilice solamente el regulador de presión y el montaje de manguera provistos de esta parrilla. El regulador de presión del reemplazo y los montajes de manguera deben ser especificados o provisto cerca.
- ▲ Si tiene un problema con la parrilla, lea la sección de *Resolución de*

⚠ **CAUTION** ⚠



- No es posible apagar los fuegos provocados por la grasa cerrando la tapa. Por razones de seguridad, las parrillas tienen aberturas de ventilación.
- No use agua para apagar los fuegos provocados por la grasa. Esto puede ocasionar lesiones. Si surge un fuego provocado por la grasa, cierre las perillas y el tanque de gas.
- No deje desatendida la parrilla cuando la esté precalentando o usando la alta temperatura para quemar los residuos de comida. Si no se ha limpiado, periódicamente la parrilla, se puede presentar un fuego provocado por la grasa, que puede dañar al producto.

Lea el manual del operador antes de encender la parrilla

1. Abra la tapa durante la iluminación.
2. Abra la válvula de gas en el tanque.
3. Empuje y gire cualquier perilla principal de control del quemador a **HI**. Firmemente. Se escuchará un sonido de clic de los electrodos de todos los quemadores
4. Si **NO** se enciende en 5 segundos, gire la perilla de control del quemador apagado, espere 5 minutos y repita el proceso de encendido.
5. Para encender otro quemador principal, repetir el paso 3.
6. Para encender la Destrucción quemador, siga los pasos 2-4 usando el mando de Fuego quemador. • Para personas que viven en apartamentos:

 **ADVERTENCIA** 

Gire los controles y la fuente de gas a OFF tanque cuando no esté en uso..

 **CAUTION** 

Si NO se enciende en 5 segundos, gire los controles del quemador a la posición de APAGADO (OFF), espere 5 minutos y repita el proceso de encendido. Si el quemador no se enciende con la válvula abierta, el gas continuará saliendo por el mismo y puede encenderse accidentalmente, con el riesgo de ocasionar lesiones..

Encendido con fósforos

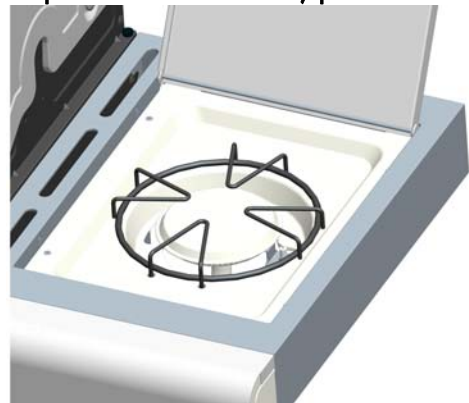
▲ No se incline sobre la parrilla cuando la esté encendiendo.

1. Abra la tapa durante el encendido.
2. Coloque un fósforo encendido en el portafósforos, y luego en el orificio de encendido con fósforos ubicado en la parte inferior del lado de la parrilla, (como se ilustra más abajo).
3. Oprima y gire la perilla del QUEMADOR DE ENCENDIDO a la posición de ALTA. Verifique que el quemador se encienda y que permanezca encendido.
4. Para encender el quemador del lado derecho, gire la perilla



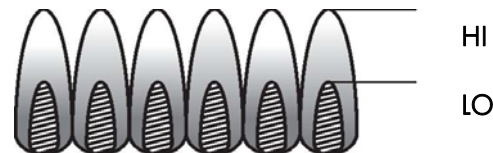
Quegador lateral de ajuste de iluminación

1. Abra la tapa del quemador lateral. Encienda el gas en el tanque de gas.
2. Coloque el fósforo encendido cerca del quemador.
3. Gire el mando del quemador lateral a HI. Asegúrese quemador se enciende y permanece iluminado



Control de la llama del quemador

• Retire las parrillas de cocción y los reguladores de llama. Encienda los quemadores a la graduación ALTA (HI) a la graduación BAJA (LO). Deberá ver una llama más reducida en la graduación alta. Controle siempre las llamas antes de cada uso. Si sólo se observan llamas bajas, lea lo referente a la *Caída repentina de las llamas o llamas bajas* en la sección de *Resolución de problemas*.



Como apagar la parrilla

- Gire todas las perillas de control a la posición de APAGADO (OFF).

Control del encendedor

- Cierre el paso de gas desde el tanque. Presione el botón del encendedor rápidamente. Deberá oír un chasquido y ver chispas cada vez, entre la caja de recolección o el quemador y el electrodo. En caso de no oír chasquidos ni ver chispas, lea la *sección de Resolución de problemas*

Control de la válvula

- **Importante: Cerciórese de haber cerrado el paso de gas desde el tanque antes de revisar las válvulas.** Las perillas se traban al llegar a la posición de APAGADO (OFF). Para revisar las válvulas, primero presione las perillas y luego suéltelas; las perillas deben regresar a su posición original. De lo contrario, cambie la unidad de la válvula antes de usar la parrilla. Gire las perillas a la graduación BAJA y luego regréselas a la posición de APAGADO. Las válvulas deben girar suavemente.

Control de la manguera

- Antes de cada uso, verifique que las mangueras no tengan cortes ni estén desgastadas. Cambie dañadas antes de usar la parrilla. Use sólo la válvula / la manguera / el regulador especificado por el fabricante.

Cast Iron Grate Condimento (si procede)

Primer Uso - Antes del primer uso, la temporada de rejillas de hierro fundido de la siguiente manera: Limpiar las rejillas de hierro fundido con agua caliente. No use jabón. Rejillas Seque bien con una toalla de tela. Rejillas Coat con aceite vegetal o aerosol antiadherente para cocinar. Coloque las rejillas en la parrilla. Comience parrilla y levante lentamente la temperatura a 350 ° - 400 ° F. rejillas de calor durante una hora. Apague la parrilla y las rejillas permiten que se enfríen completamente antes de usar para cocinar.

Limpieza - No utilice jabón para limpiar las parrillas. Rejillas limpias con un cepillo duro caliente. Rejillas Seque bien con una toalla de tela.

Re-condimento - Re-temporada rejas cuando manchas de óxido aparecen en la superficie de la rejilla. Cuando las rejillas de volver a sazonar, jabón puede usarse con agua caliente para limpiar las parrillas. Después de la toalla de tela. Rejillas Coat con aceite vegetal o aerosol antiadherente para cocinar. Coloque las rejillas en la parrilla. Comience parrilla y levante lentamente la temperatura a 350 ° - 400 ° F. rejillas de calor durante una hora. Apague las rejillas permiten que se enfríen completamente antes de usar de nuevo.

Limpieza general de la parrilla

- No confunda la acumulación de grasa y de humo, de color marrón o negro, con la pintura. La parte interna de las parrillas a gas no viene pintada de fábrica (**y no se debe pintar nunca**). Aplique una solución concentrada de detergente y de agua, o use un limpiador para parrillas con un cepillo de cerdas resistentes, cepillando la parte interna de la tapa de la parrilla y el fondo de la misma. Enjuáguelos y deje que se sequen completamente al aire. **No aplique limpiadores cáusticos para parrillas / limpiadores de hornos a las superficies pintadas.**

- **Piezas plásticas:** Lávelas con agua jabonosa tibia y séquelas con un paño
- **Superficies de porcelana:** Debido a su composición vítrea, la mayoría de los residuos se puede eliminar con un paño empapado en una solución de bicarbonato de soda y agua, o con un limpiador especialmente formulado. Use un polvo limpiador no abrasivo para las manchas difíciles de eliminar.
- **Superficies pintadas:** Lávelas con un detergente suave o un limpiador no abrasivo y agua tibia jabonosa. Séquelas con un paño suave, no abrasivo.
- **Superficies para cocinar:** Si utiliza un cepillo de cerdas para limpiar las superficies para cocinar, antes de usar la parrilla verifique que no queden cerdas sueltas sobre éstas. Se recomienda no limpiar las superficies para cocinar cuando la parrilla esté aún caliente.

Cómo guardar su parrilla

- Limpie las parrillas de cocción.
- Guárdela en un lugar seco.
- Cuando el tanque de gas esté conectado a la parrilla, guárdela al aire libre, en un lugar bien ventilado y fuera del alcance de los niños.
- Cubra la parrilla si la guarda al aire libre. El fabricante tiene a su disposición una variedad de cubiertas para parrillas.
- SOLO guarde la parrilla bajo techo si se ha cerrado el paso y desconectado el tanque de gas, retirándolo de la parrilla y guardándolo al aire libre.

Cómo limpiar la unidad del quemador

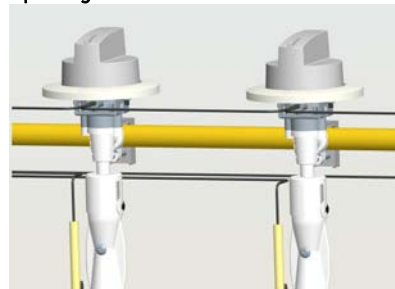
Siga estas instrucciones para limpiar o cambiar piezas de la unidad del quemador, o si tiene problemas para encender la parrilla.

1. Cierre el paso de gas en las perillas de control y desde el tanque de gas.
2. Retire las parrillas de cocción y Termodisipador.
3. Retire los tornillos y los tubos de arrastre de la parte posterior de los quemadores.
4. Retire los tornillos y las arandelas para desconectar el quemador del soporte de la cámara de combustión.
 - (A) Doble un alambre rígido (un gancho de alambre para ropa sirve bien) para formar un gancho pequeño. Pase varias veces el gancho a través del tubo de cada quemador.



- (B) Use un cepillo delgado de botella, de mango flexible (no use un cepillo de alambre de latón), páselo varias veces a través del tubo de cada quemador.
 - (C) Use protectores para la vista: Con una manguera neumática fuerce el paso del aire a través del tubo y de los puertos del quemador. Examine cada puerto para verificar que el aire
5. Levante y retire cuidadosamente cada quemador de las aberturas de la válvula.
 6. Cepille con un cepillo de alambre toda la superficie exterior del quemador para eliminar los residuos de comida y la suciedad.
 7. Limpie todo puerto que esté atascado con un alambre rígido, tal como un sujetapapeles.

VERY IMPORTANT: Burner tubes must reengage valve openings. See illustrations below.

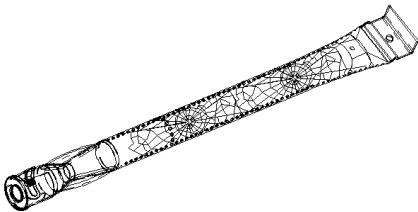


8. Sustituya cuidadosamente las hornillas.
9. Una las hornillas a los soportes con la chaveta.
10. Coloque los tubos de la adherencia al cilindro de nuevo y únalos a las hornillas. Sustituya los difusores del calor y las rejillas el cocinar.

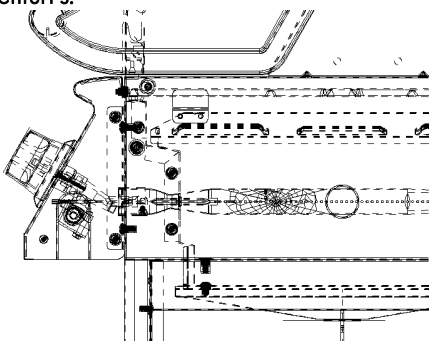


SPIDER ALERT!

IMPORTANT: Always ensure that the venturi burner tubes are clean. A venturi burner tube has a narrow area in which spiders tend to build nests.



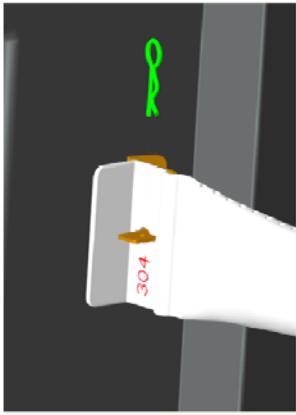
Si usted nota que le es más difícil encender la parrilla o que la llama es más débil de lo normal, examine y limpie los tubos Venturi.
clean the venturi's.



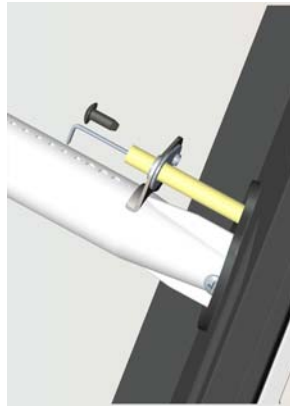
Las arañas y los insectos pequeños han producido "fognazos". Las arañas tejen sus telas, hacen sus nidos y ponen sus huevos en los tubos Venturi de las parrillas, que obstruyen el paso del gas al quemador. El gas que se acumula dentro de los tubos Venturi, ubicados en la parte posterior del tablero de control, se puede encender. A esto se le llama "fognazo", y puede dañar su parrilla e, incluso, puede producir lesiones.

Para evitar los fognazos y garantizar el buen funcionamiento, retire la unidad del quemador y del tubo Venturi y límpielos antes de usar la parrilla, si no la ha usado durante un tiempo prolongado.

A

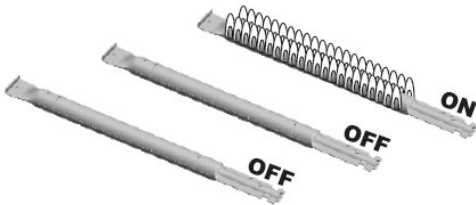


B



Cocción indirecta

Las aves de corral y los cortes grandes de la carne cocinan lentamente a la perfección en la parrilla por calor indirecto. Coloque el alimento sobre las hornillas del unlit; el calor de encendió las hornillas circula suavemente a través de la parrilla, cocinando la carne o aves de corral sin el tacto de una llama directa. Este método reduce grandemente llamaradas al cocinar cortes grasos adicionales porque no hay llama directa para encender las grasas

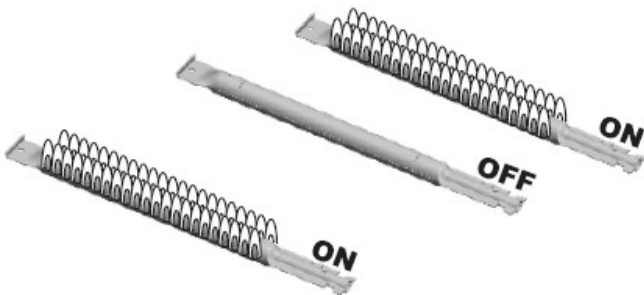


1 Burner Cooking

Cocinero con calor directo o indirecto. Lo más mejor posible para comidas o alimentos más pequeños. Consume menos combustible.

Instrucciones de cocción indirectas

- Siempre cocinero con la tapa cerrada.
- Debido a las condiciones atmosféricas, tiempos de cocción puede variar. Durante condiciones frías y ventosas el ajuste de la temperatura puede necesitar ser aumentado para asegurar suficiente temperatura que cocina.
- Coloque las hornillas del unlit del excedente del alimento encima.



2 Burner Cooking

El gran cocinar indirecto en punto bajo. Produce lento, incluso calentando. Ideal para la asación y cocer al horno lentos.

Cocción:

Cocine bien las carnes y las piezas de ave, para matar las bacterias. Use un termómetro para verificar que los alimentos alcancen la temperatura interna adecuada.

Limpio: Lave las manos, los utensilios, y las superficies con agua jabonosa caliente antes y después que maneja la carne y aves de corral crudas.

Separado: Carnes y aves de corral crudas separadas de los alimentos preparados para evitar la contaminación cruzada. Utilice un disco limpio y los utensilios al quitar los alimentos cocinados.

Cocinero: Cocine la carne y las aves de corral a fondo para matar a bacterias. Utilice un termómetro para asegurar temperaturas internas apropiadas del alimento.

Frialdad: Refrigere los alimentos y las sobras preparados puntualmente. Para más llamada de la información: Carne del USDA y teléfono directo de las aves de corral en 1-800-535-4555 (en Washington, C.C. (202) 720-3333, 10:00:00 P.M. EST).

Cómo decir si la carne se asa a la parrilla a fondo

- La carne y las aves de corral cocinaron en una parrilla broncea a menudo muy rápidamente en el exterior. Utilice un termómetro de la carne para ser seguro que el alimento ha alcanzado una temperatura interna segura, y el corte en el alimento para comprobar para saber si hay muestras visuales del doneness.
- Las aves de corral enteras deben alcanzar 180° F; pechos, 170° F. Los jugos deben funcionar claramente y la carne no debe ser rosada.
- Las hamburguesas hechas de cualquier carne de tierra o ave de corral deben alcanzar 160° F, y sean marrones en el centro sin los jugos rosados. La carne de vaca, los filetes de la ternera y del cordero, las carnes asadas y las tajadas se pueden cocinar a 145° F. Todos los cortes del cerdo deben alcanzar 160° F.
- Ase a la parrilla NUNCA parcialmente la carne o las aves de corral y acabe el cocinar más adelante. Alimento del cocinero totalmente para destruir bacterias dañosas.
- Cuando los alimentos para llevar reheating o las carnes completamente cocinadas tienen gusto de perros calientes, ase a la parrilla a 165° F, o hasta cocer al vapor caliente.

WARNING: Para asegurarse de que sea seguro comer, el alimento se debe cocinar a las temperaturas internas mínimas enumeradas en la tabla abajo.

USDA* Recommended Safe Minimum Internal Temperatures	
Beef, Veal, Lamb and Pork – Whole Cuts**	145° F
Fish	145° F
Beef, Veal, Lamb and Pork – Ground	160° F
Egg Dishes	160° F
Turkey, Chicken & Duck – Whole, Pieces & Ground	165° F

* Ministerio de Agricultura de Estados Unidos

** Permita que la carne recline tres minutos antes de tallar o de consumir.

LISTA DE PARTES

Key	Description	Qty	Part Number	Key	Description	Qty	Part Number
1	Tapa del quemador lateral	1	41500041	39	puerta derecha	1	40500080
2	Rote la vara, la tapa del quemador lateral	1	40500211	40	puerta izquierda	1	40500076
3	Rejilla del quemador lateral	1	60600218	41	Panel lateral izquierdo	1	40500061
4	quemador lateral	1	60600219	42	Soporte de la bandeja para grasa izquierda	1	40500068
5	cable del encendido	1	40500215A	43	Derecha soporte de la bandeja de grasa	1	40500069
6	Lado de la base del quemador	1	40500056A	44	Panel posterior	1	40500067A
7	Lado derecho del estante	1	40500048	45	portafósforos	1	40800128
8	Módulo de encendido electrónico	1	41500214	46	Iluminación de Rod Cadena	1	41100105
9	Tapa del encendedor	1	30800246	47	Partido Soporte Holder	1	40500212
10	Fascia, estante lateral derecho	1	40500052	48	la puerta del brazo	1	40500071
11	Panel de control	1	40500035	49	Soporte de la puerta derecha	1	40500073
12	La válvula de gas, quemador principal	4	41100102	50	Ménsula de la puerta izquierda	1	40500072
13	Cable del encendedor	1	40500209	51	Copa de goteo	1	40500033
14	El tubo principal del quemador	1	40500039	52	Ensamblaje de la bandeja de goteo	1	40500026
15	Válvula del quemador lateral	1	40500216A	53	Fascia, del lado izquierdo del estante	1	40900040
16	Lado del múltiple del quemador	1	40200045	54	Lado izquierdo plataforma Mango		40800099
17	Quemador lateral Manguera	1	40900216	55	gancho		40800200
18	Cable de tierra	1	30800244	56	Estante lateral izquierdo	1	40500042A
19	Perilla de control del bisel	5	40900036	57	Cámara de combustión de caucho de silicona parachoques	2	50300205
20	Perilla de control, quemador principal	4	40900206	58	Labio de silicona parachoques de goma	2	40700103
21	Perilla de control, quemador abrasador	1	40900224	59	Indicador de temperatura	1	40500201
22	Regulador	1	40800115	60	Logo	1	40800106
23	Soporte para el tanque de gas	1	40500213	61	Rote la vara, la tapa	2	40500202
24	Estantería del fondo	1	40500084	62	Espaciador de aislamiento, mango de la tapa	2	30800231
25	Panel frontal	1	40500089	63	Bisel, mango de la tapa	2	30800011
26	Caster estándar	1	40900214	64	Tapa	1	40500002
27	Rueda giratoria	1	40900213	65	Mango de la tapa	1	40500100
28	Rueda giratoria con freno	2	40900212	66	Rejilla para calentar	1	40500203
29	Puerta Imán Box	1	50600076	67	Parrilla de cocción	2	40500204
30	Imán de la puerta	4	40200094	68	Panel de la cámara de combustión Volver	1	40500024
31	Chaveta	8	110380	69	Difusor de calor	4	40500025
32	Orificio del buje	1	40400005	70	Firebox	1	40500012
33	Alambre de la abrazadera	2	50600085	71	Quemador principal del electrodo L880	1	40500208
34	Tablero derecho	1	40500065	72	Quemador principal del electrodo L720	1	40500207
35	El tanque del bañe	1	40500092	73	Quemador principal del electrodo L560	1	40500206
36	Conjunto de retención de plástico	4	40900225	74	Quemador principal del electrodo L400	1	40500205
37	Cesta Bar ángulo de ayuda	2	40500074	75	Quemador principal	4	40500098
38	Tirador	2	40500082				

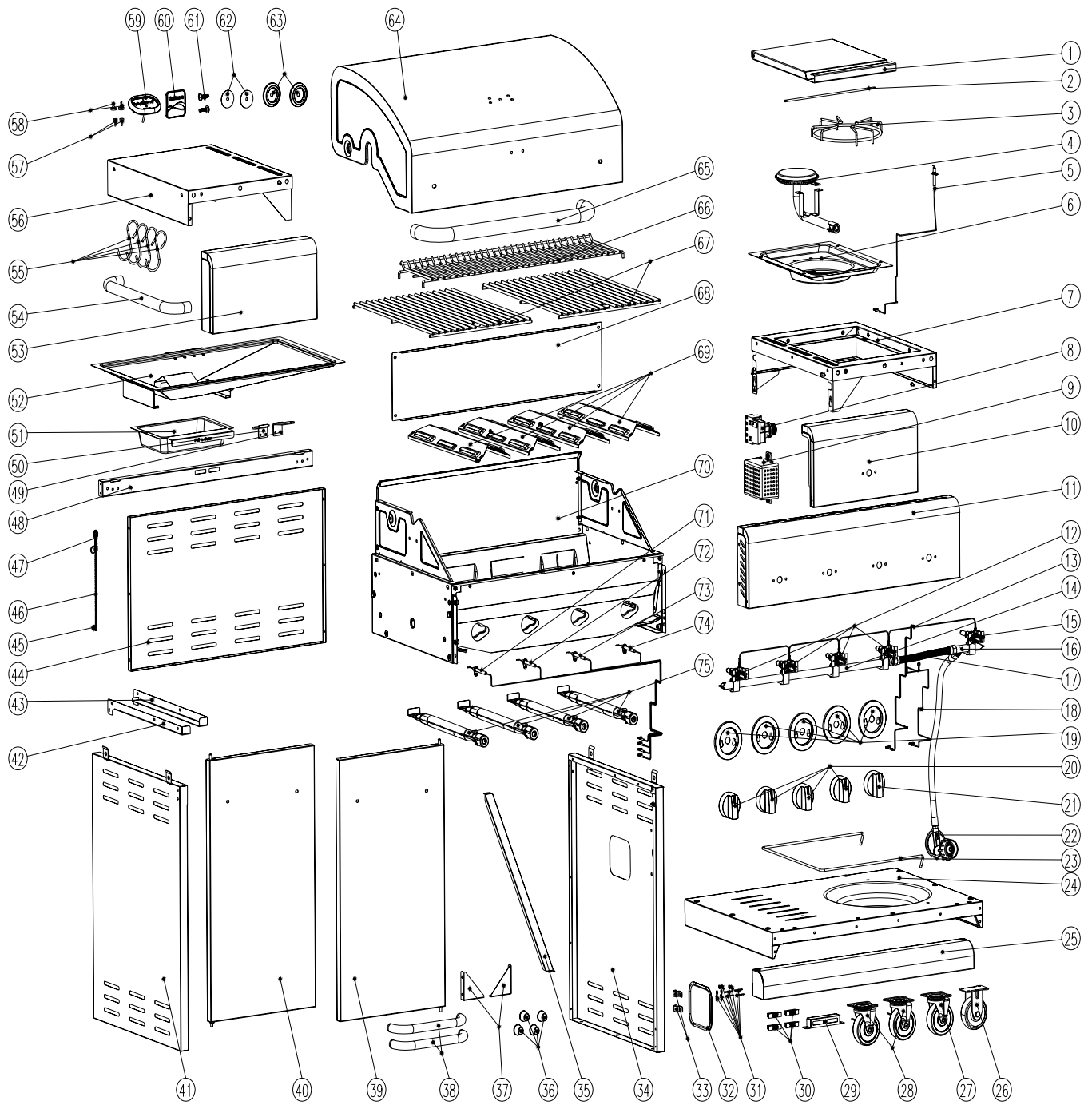
Si le falta el hardware o que han deteriorado las partes después de desempaquetar parrilla, llame al 1-888-287-0735 M-F:8:00-5:00 para su sustitución.

Si falta o está dañada alguna pieza, llame al 1-888-287-0735 M-F 8:00-5:00 para su

Not Pictured

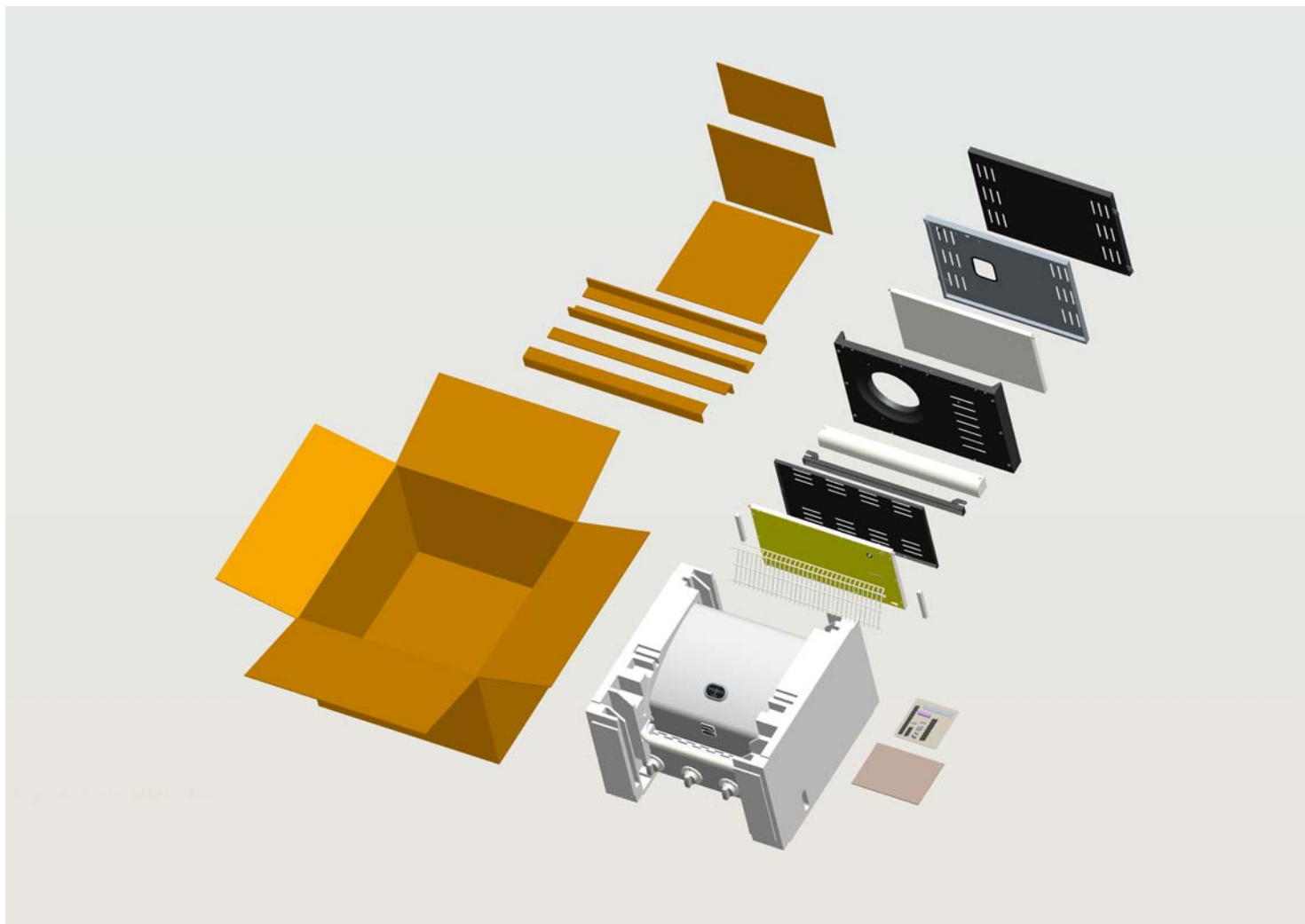
Hardware Pack	1	40500330A
Manual	1	40500318A

PARTS DIAGRAM

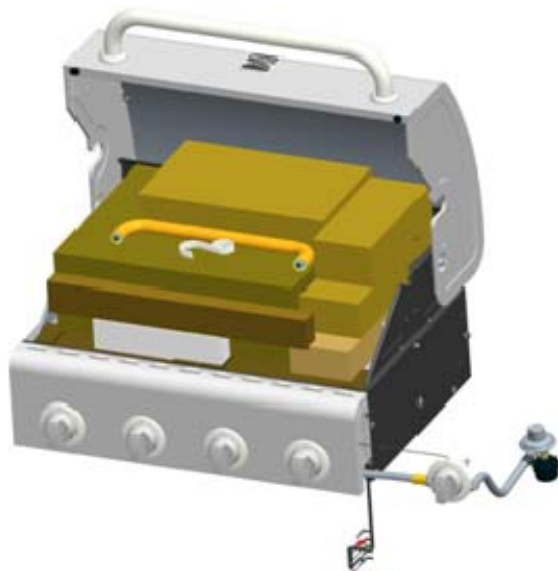
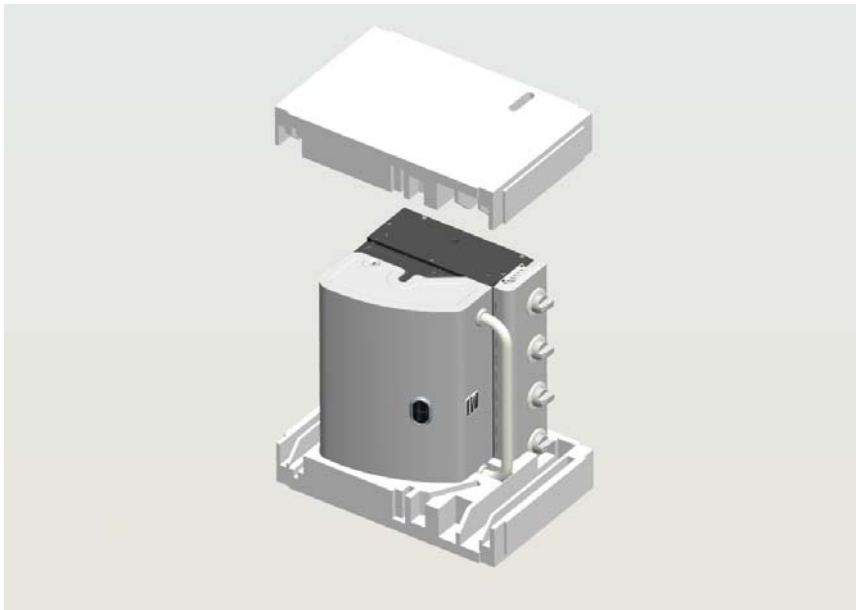


BEFORE ASSEMBLY

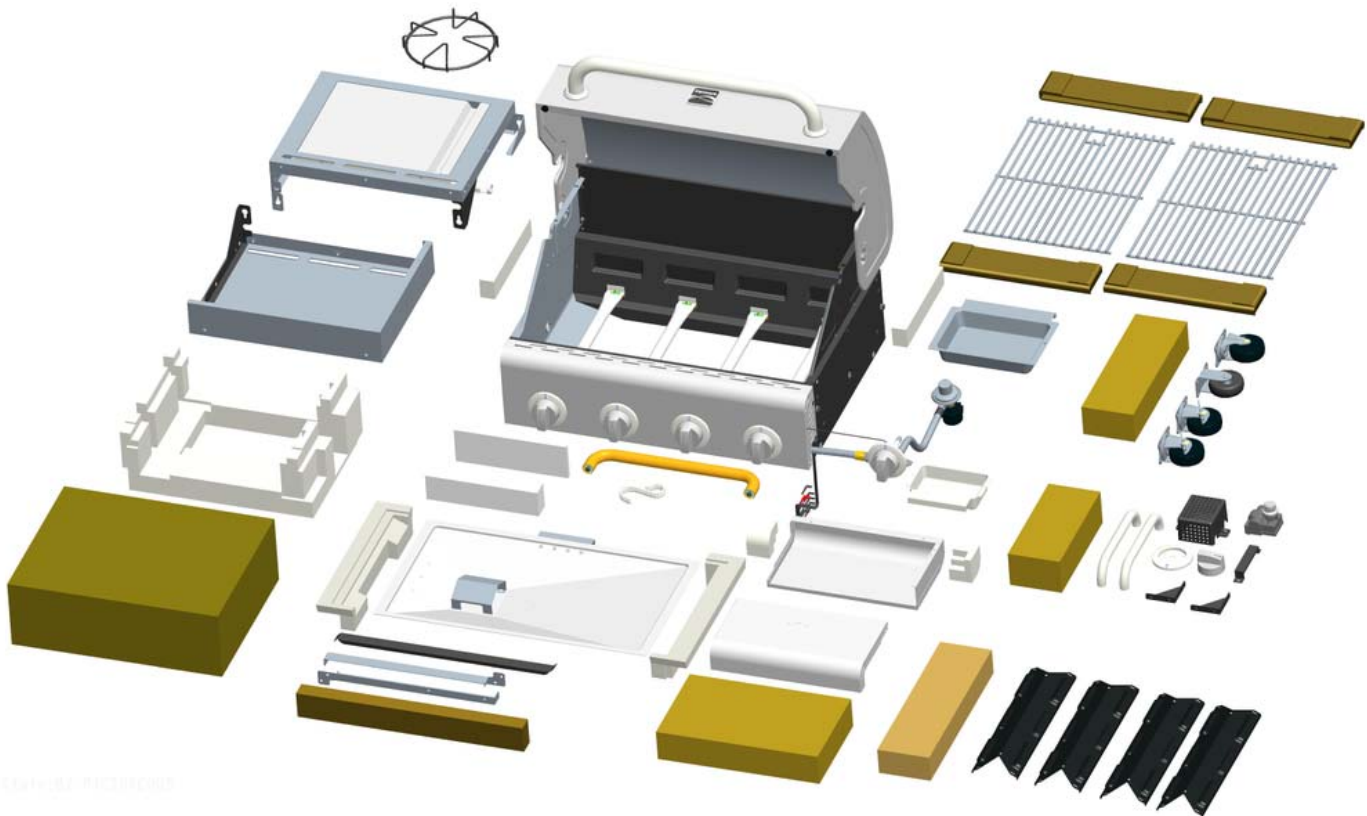
NOTICE: Once you have unpacked the grill according to the STOP SHEET instructions, check all grill parts against the pictures on this and the following two pages. If you parts are missing or damaged, call 1-888-287-0735 M-F8:00-5:00 PACIFIC.



BEFORE ASSEMBLY



BEFORE ASSEMBLY







www.sew-ibz.fr

LEA Y REALICE CUIDADOSAMENTE TODAS LAS INSTRUCCIONES DE ASAMBLEA EN LAS PÁGINAS SIGUIENTES.

Las herramientas requirieron:

- El destornillador de la llave ajustable no proporcionada
- no proporcionado
- 7/16" la llave combinada (no proporcionada)
- el hardware siguiente se proporciona en el paquete de ampolla para el uso conveniente.

<p>Tornillos Hexagonales M4X10 Qty: 2 pc</p> 	<p>Tornillos M6X13 Qty: 32 pc</p> 
<p>Tornillos Hexagonales M5X10 Qty: 4 pc</p> 	<p>Tornillos M4X12 Qty: 2 pc</p> 
<p>Tornillos M4X10 Qty: 42 pc</p> 	<p>Batería AA Qty: 1 pc</p> 
<p>Arandela Plana M6 Qty: 6 pc</p> 	<p>Llave Inglesa Qty: 1 pc</p> 
<p>Arandela Plana M5 Qty: 4 pc</p> 	

1

Estante inferior

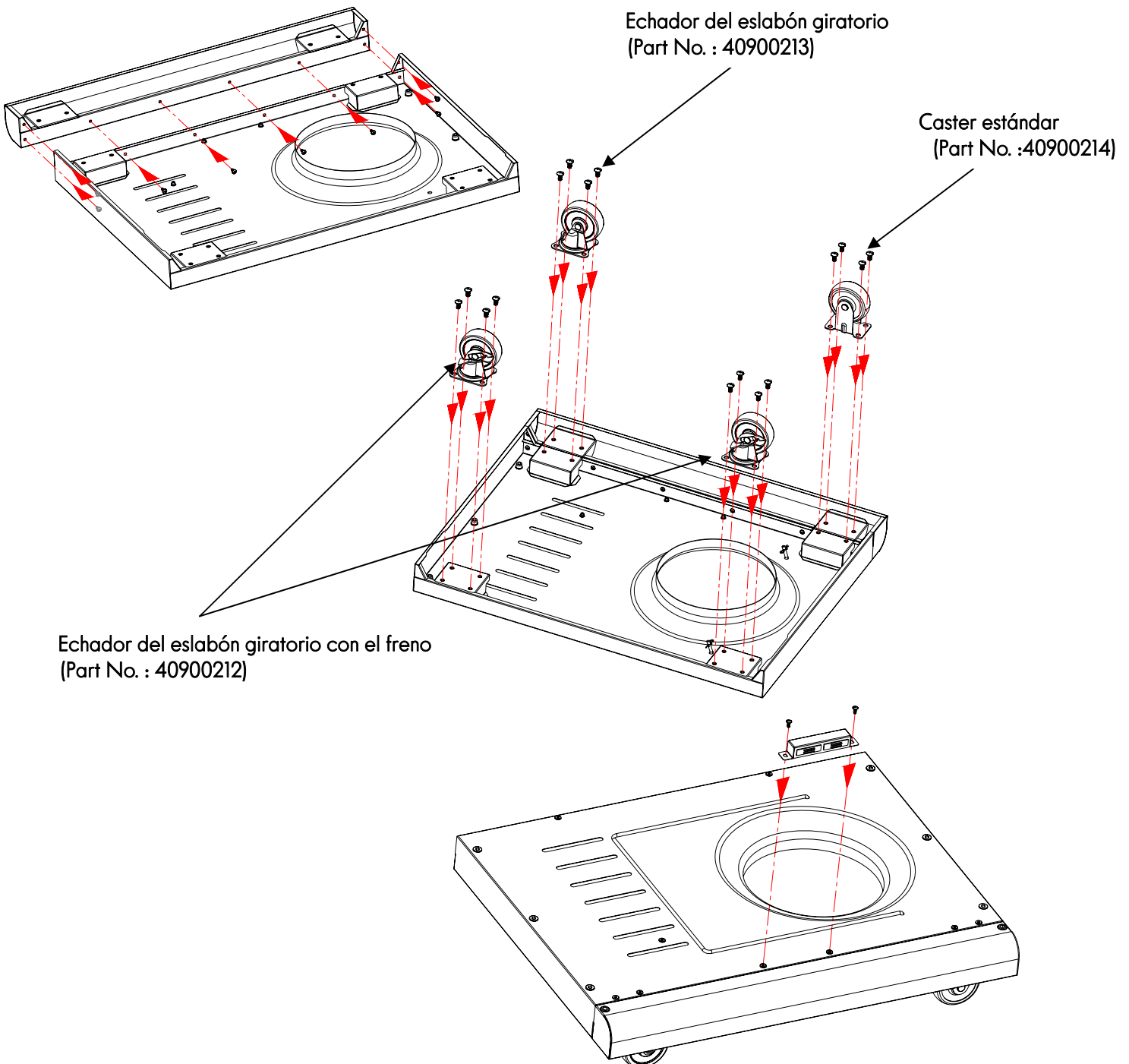
- Girar estante inferior al revés. Coloque el panel frontal al estante inferior con **(8)** tornillos **M4x10**.
- Una las ruedas a la plataforma inferior con **(16)** tornillos **M6x13**.
Nota: Instale cada echador en la posición correcta según las indicaciones de la figura abajo. El echador estándar (el no-girar sobre un eje) instalará solamente en una dirección.
- Dé vuelta al derecho del estante inferior para arriba, frenos de las ruedas de bloqueo para estabilizar unidad para continuar el montaje Una los imanes de la puerta al estante inferior con **(2)** tornillos **M4x10**.



Tornillos M6X13 Qty: 16 pc



Tornillos M4X10 Qty: 10pc



2

Carro

- Para unir paneles laterales, alinee los agujeros de la pierna del panel lateral con los agujeros de la pierna en cada lado del estante inferior. Nota: Panel lateral izquierdo tiene apego portafósforos.
- Adjuntar pero no apriete completamente los paneles laterales izquierdo y derecho de la repisa inferior con **(6)** tornillos **M6x13**. Deje un pequeño espacio debajo de las cabezas de los tornillos para facilitar la unión de paneles, soportes y bares en los siguientes pasos de esta página. (A)
- Una detrás el panel al estante inferior y dos paneles laterales con **(8)** tornillos **M4x10**. (B)
- Una la barra del baffle del tanque al panel trasero y el estante inferior con **(2)** tornillos **M4x10**. (C)
- Alinee los agujeros del soporte de la puerta con los agujeros en paneles laterales. Una el soporte a los paneles laterales con **(4)** tornillos **M4x10**. (D)

Nota: Una el soporte de modo que los imanes estén en la parte superior.

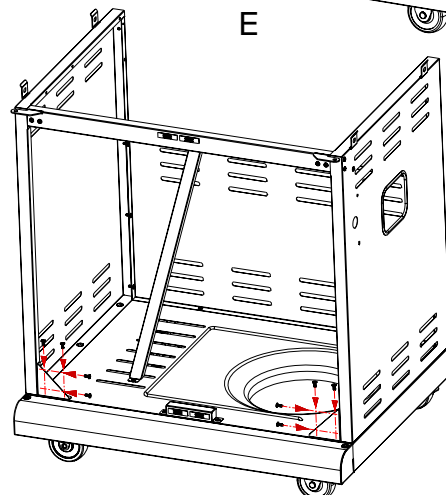
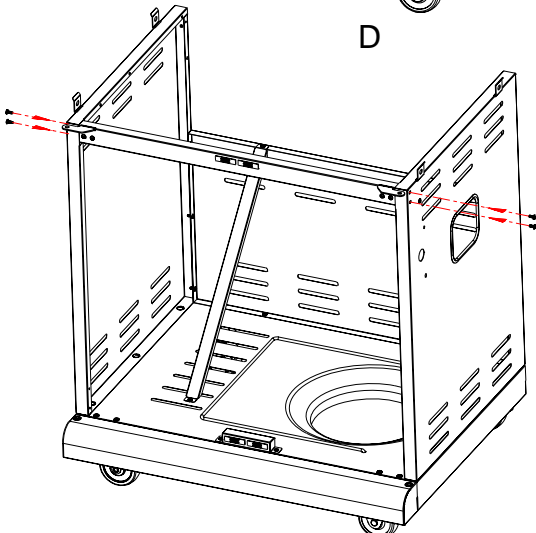
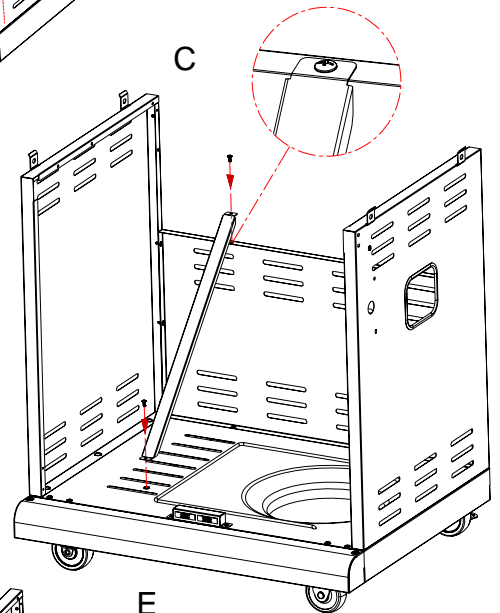
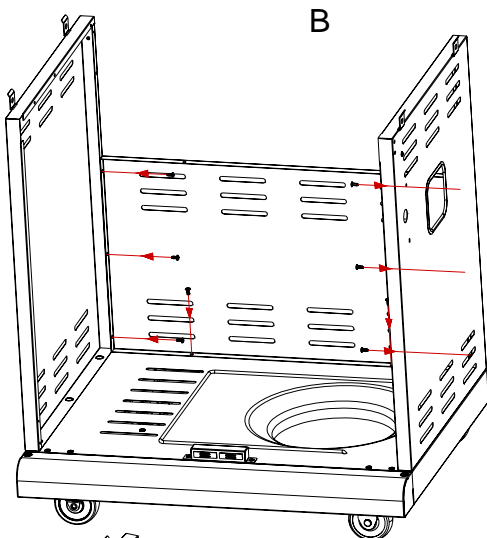
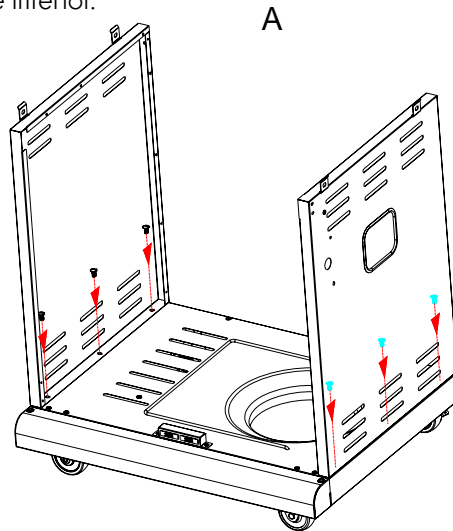
- Alinear los orificios de las barras de ángulo de la compra Atención con agujeros en los paneles laterales y estantes inferiores. Fije las barras angulares con **(8)** tornillos **M4x10**. (E) Ahora apretar los 6 tornillos que sujetan los paneles laterales para el estante inferior.



Tornillos M6X13 Qty: 6 pc



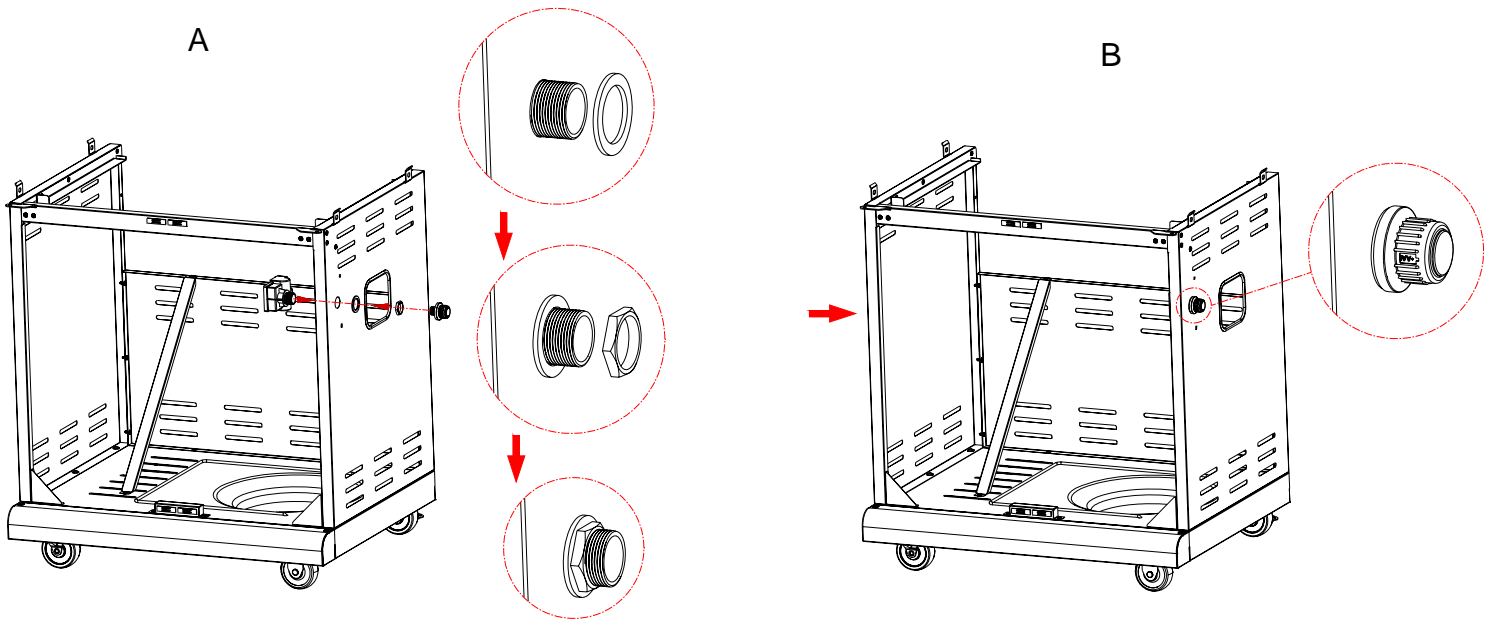
Tornillos M4X10 Qty: 22 pc



3

Módulo de encendido electrónico

- Fije el módulo de encendido electrónico a través del orificio de montaje en el panel lateral derecho. (A)
- Junta de goma Insertar siguió con la tuerca de seguridad de plástico y apriete con la mano. (A)



4

Puertas delanteras

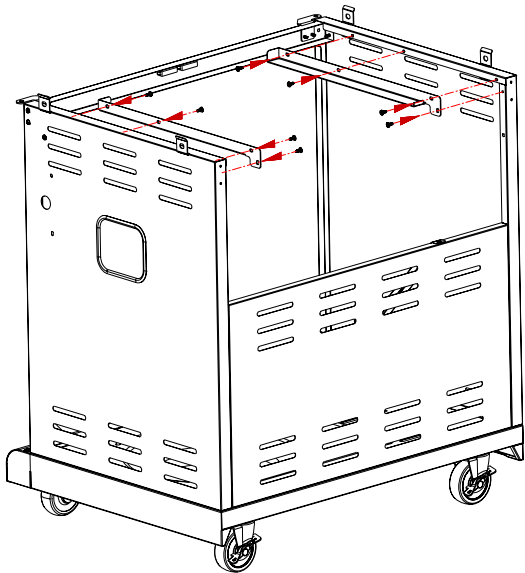
- Fije los soportes de la bandeja de grasa izquierdo y derecho a los paneles laterales con (8) tornillos M4x10. A.
- Quite los tornillos (4) M5x15 premontados a los extremos de la manija de la puerta, y utilícelos para unir las manijas a las puertas. B.
- Inserte el pasador en la parte inferior de cada puerta en el agujero en el panel inferior. Inserte el pasador en la parte superior de cada puerta por el agujero de la bisagra soporte de la puerta. C.

IMPORTANTE: Si las puertas no se alinean cuando se cierra o no se cierran libremente, puede ser necesario ajustar la posición del pasador de la puerta. Afloje el del soporte tornillo, ajuste el soporte que sea necesario, y vuelva a apretar los tornillo. B.

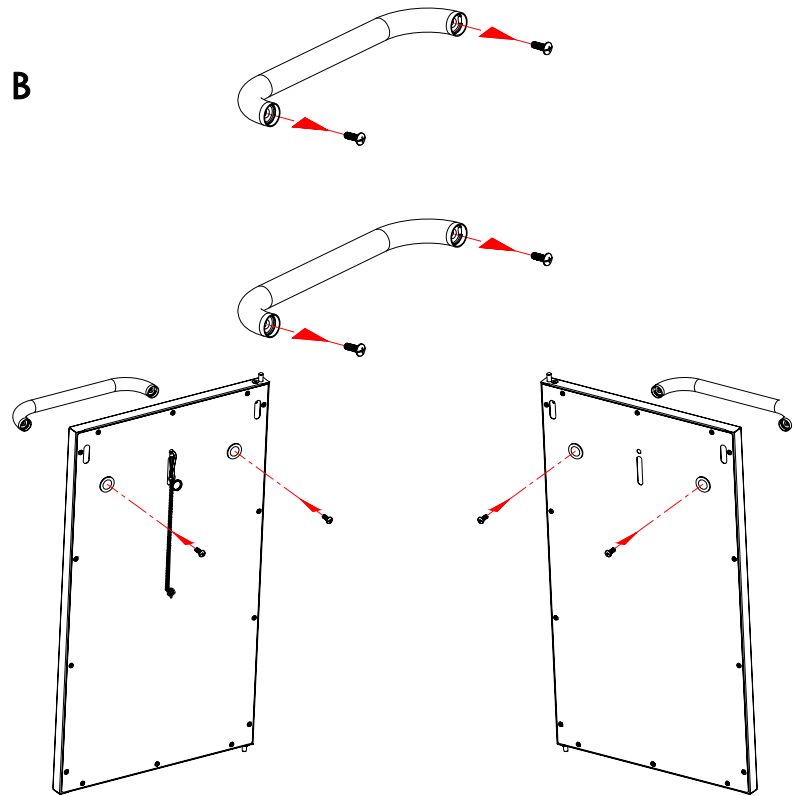


A

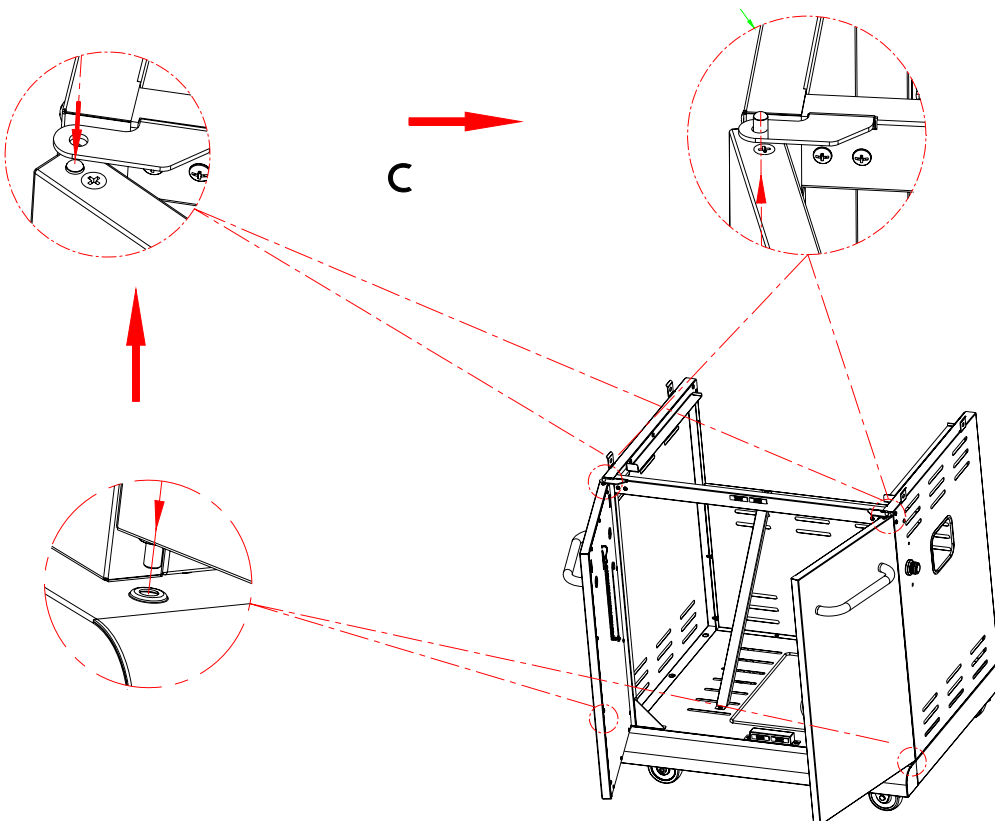
Tornillos M4X10 Qty: 8pc



B



C



5

Cabeza de la parrilla al carro

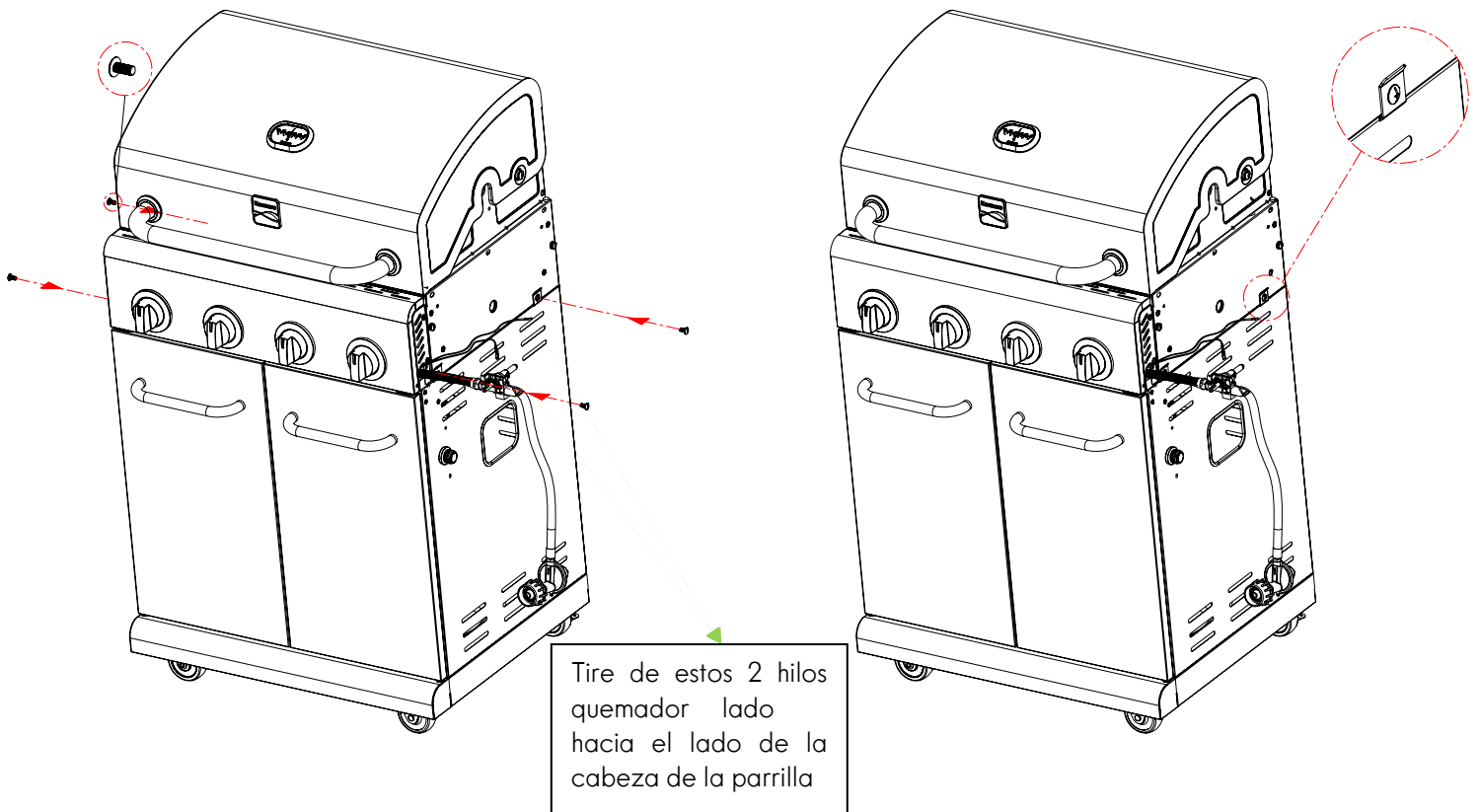
- Este paso requiere a dos personas levantar y colocar la cabeza de la parrilla sobre el carro.
- Si no lo ha hecho, retire la banda de sujeción y el material de embalaje de la manguera del regulador, válvula del quemador y los cables de ignición situados debajo del panel de control. Separar los 2 cables del quemador ardientes de los otros 7 hilos que se muestran en el paso 6. Mantener los 7 alambres que se muestran en el paso 6 por debajo de la cabeza de la parrilla y en el interior del panel, y tire de los cables 2 quemadores ardientes y la manguera del regulador hacia el lado de la parrilla cabeza. A
- Bajar cuidadosamente la parte superior de la parrilla sobre el carrito. Asegúrese de que la manguera del regulador y 2 cables de los quemadores ardientes están colgando fuera del carrito. Coloque la cabeza a la cesta con **(4)** tornillos de **M6x13**. B



Tornillos M6X13 Qty: 4 pc

A

B



6

Quegador de electrodos y la cubierta del encendedor

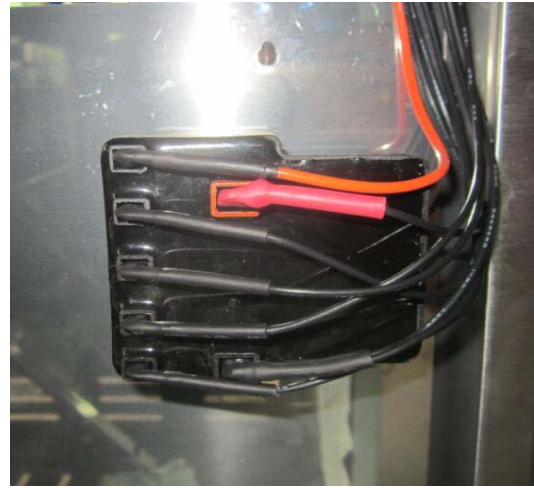
- Coloque los 5 electrodos del electrodo del quemador (negro fino y naranja fino), el cable de tierra (con tapa roja) y el cable del encendedor (negro grande) a través de la abrazadera del panel lateral preinstalada. A. Nota: Si los cables son difíciles de instalar, afloje el tornillo de sujeción, ponga los cables a través de la abrazadera y vuelva a apretar el tornillo.
- Coloque los 4 alambres finos negros y 1 alambre naranja fino en las 5 ranuras estrechas del módulo de encendido electrónico. Coloque el cable de conexión a tierra rojo en la ranura indicada en naranja. Coloque el cable negro grande en la ranura ancha. B
- Fije la cubierta del encendedor con (2) tornillos M4x10. C. (Nota: Si la cubierta es difícil de instalar, utilizar un destornillador para presionar hacia abajo a la derecha de la puerta gancho de talón para quitar la puerta. Instalar la cubierta y vuelva a colocar la puerta). D



A

Tornillos M4X10 Qty: 2 pc

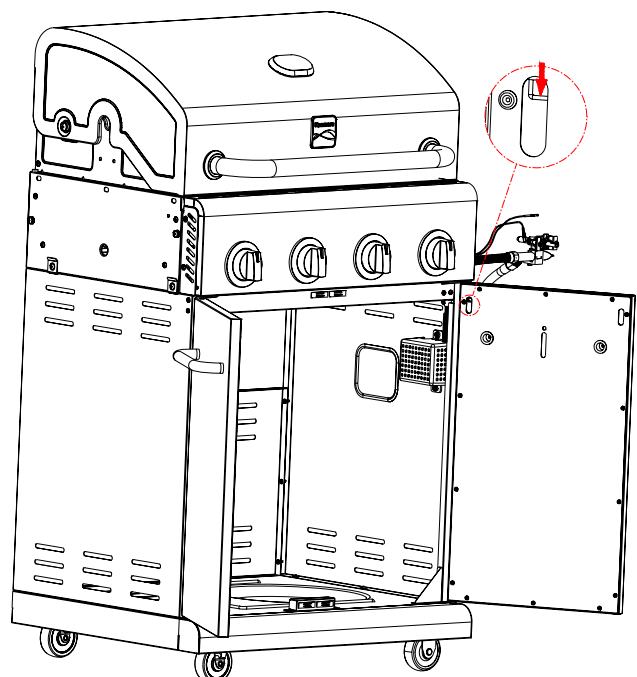
B



C



D



7

Estante del lado izquierdo

- Deslice 4 ganchos en la barra de empuje en la orientación que se muestra a continuación (A). Los extremos del gancho deben quedar afuera de la parrilla en la posición de operación. (D) Retire los tornillos (2) M5x10, las arandelas de seguridad M5 y las arandelas planas M5 pre-ensambladas a los extremos de la barra de empuje y úselos para fijar la barra de empuje al estante. (A)
 - Adjuntar la fascia de la repisa del lado izquierdo con (2) tornillos hexagonales M5x10 y (2) arandelas planas M5 y (1) perno hexagonal M4X10. (A-B)
 - Cuelgue la repisa lateral izquierda en dos tornillos preinstalados en el lado izquierdo de la caja de fuego.
 - Fije la repisa de la siguiente manera firebox: (C)
 - Desde adentro fuera de la caja de fuego con (3) tornillos M6x13 y (3) arandelas planas M6. (D)
- IMPORTANTE: Asegúrese de que la fascia estante lateral está alineado con el panel de control antes de instalar los tornillos



Tornillos hexagonales M5X10
Qty: 2 pc



Arandela plana M5
Qty: 2 pc



Tornillos hexagonales M4X10
Qty: 1pc



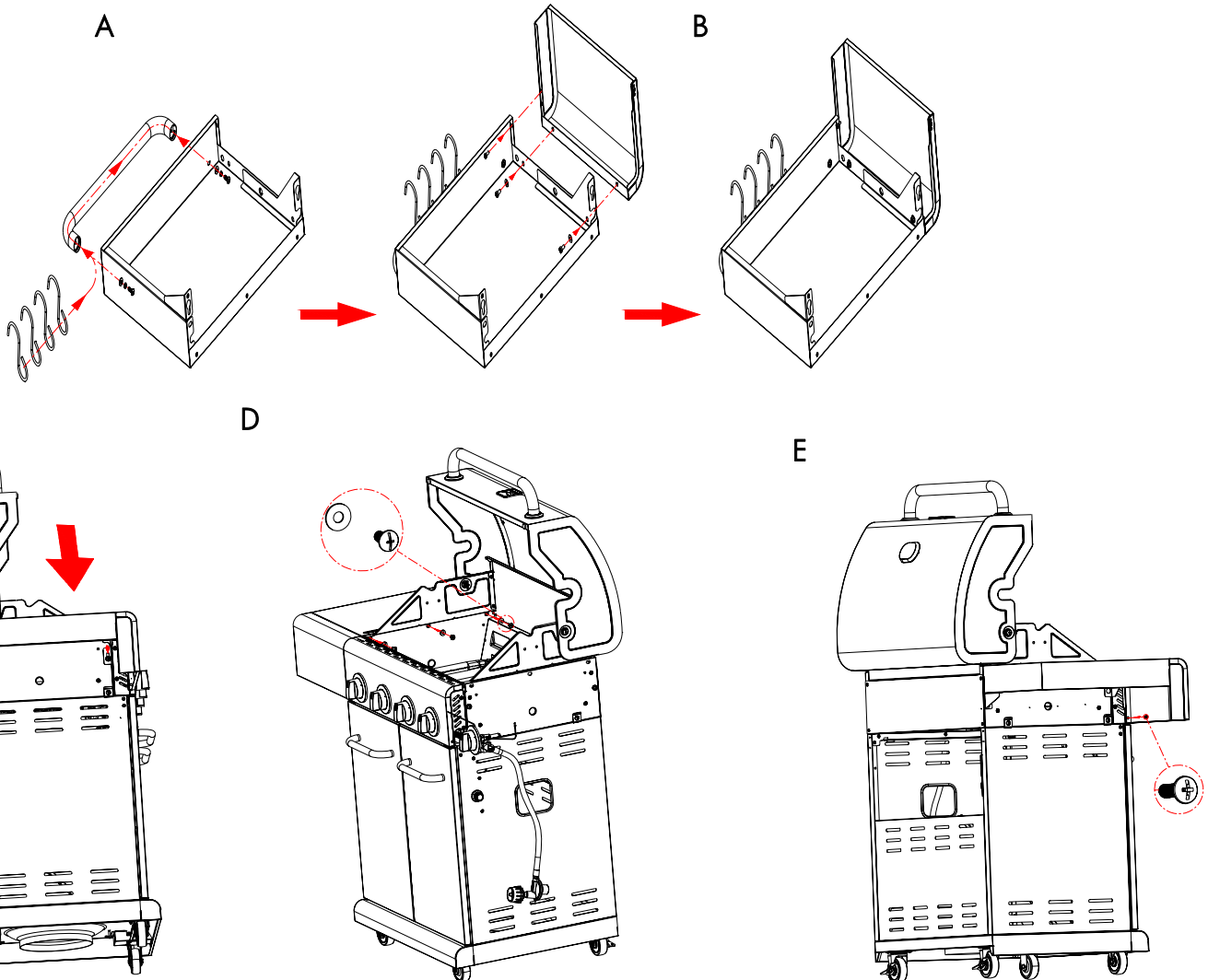
Tornillos M6X13 Qty: 3 pc



Arandela plana M6 Qty: 3pc



Tornillos M4X12 Qty: 1pc



8

Estante del derecho

- Adjuntar la fascia de la repisa del lado derecho con (2) tornillos hexagonales M5x10 y (2) arandelas planas M5 y (1) perno hexagonal M4X10. (A-B)
- Cuelgue la repisa del lado derecho en dos tornillos preinstalados en el lado derecho de la caja de fuego. (C)
- Fije la repisa de la siguiente manera firefox:
 - Desde adentro fuera de la caja de fuego con (3) tornillos M6x13 y (3) arandelas planas M6. (D)
 IMPORTANTE: Asegúrese de que la fascia estante lateral esté alineado con el panel de control antes de apretar los tornillos.
 - Desde el exterior hacia el interior de la cámara de combustión con (1) tornillo M4x12. (E)
- Apriete completamente el tornillo pre-instalado en el lado derecho de la caja de fuego para completar la unión de la repisa del lado derecho.



Tornillos hexagonales M5X10
Qty: 2 pc



Arandela plana M5
Qty: 2 pc



Tornillos hexagonales M4X10
Qty: 1pc



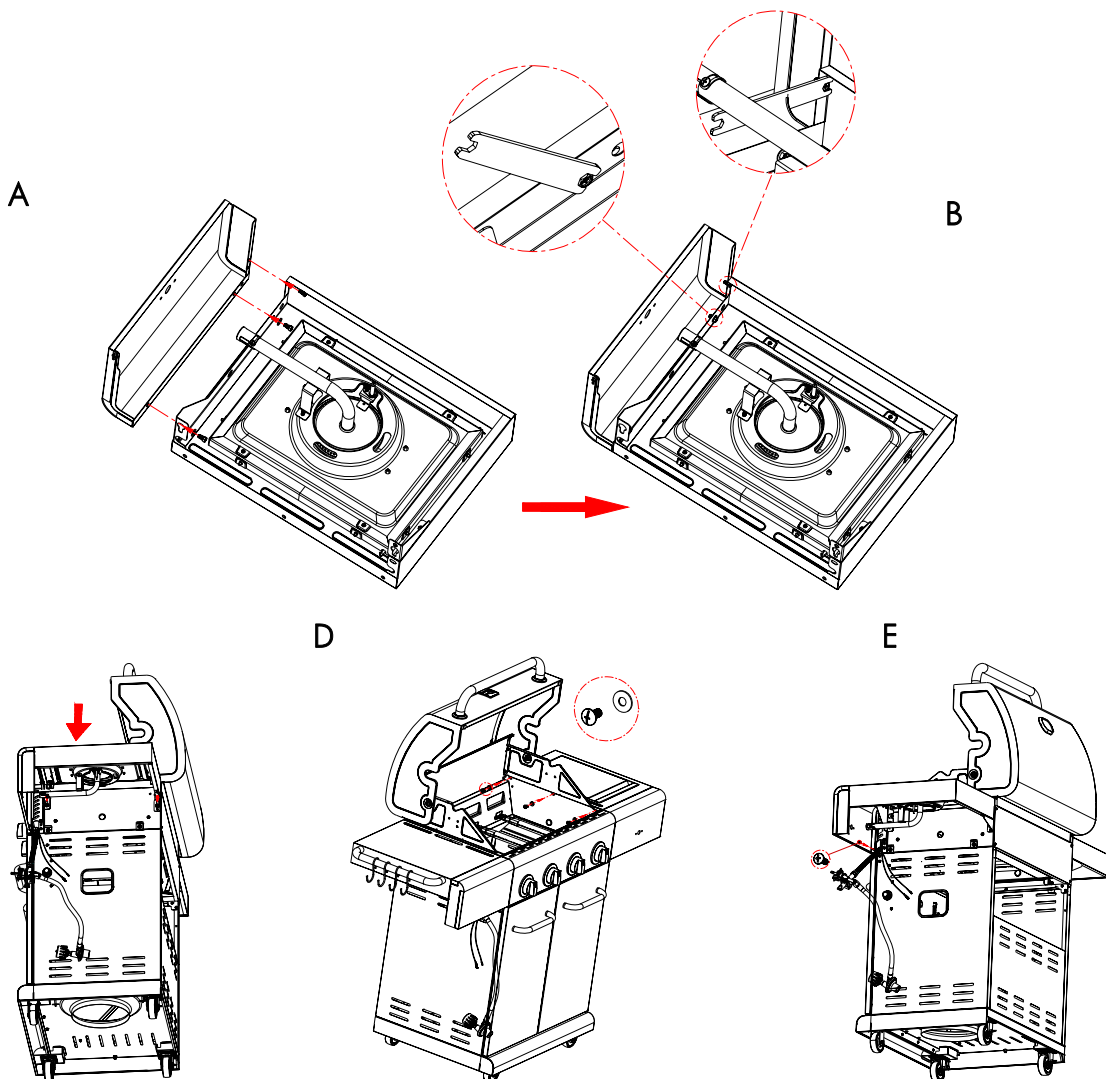
Tornillos M6X13 Qty: 3 pc



Arandela plana M6 Qty: 3pc



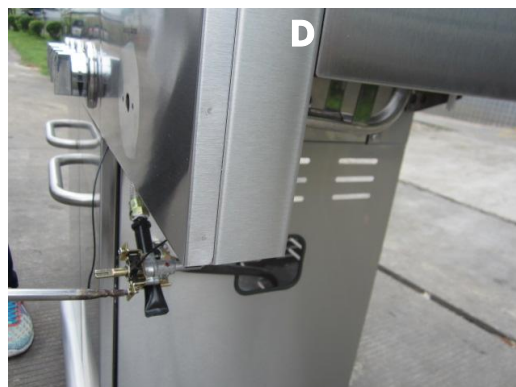
Tornillos M4X12 Qty: 1pc



9

Quegador lateral

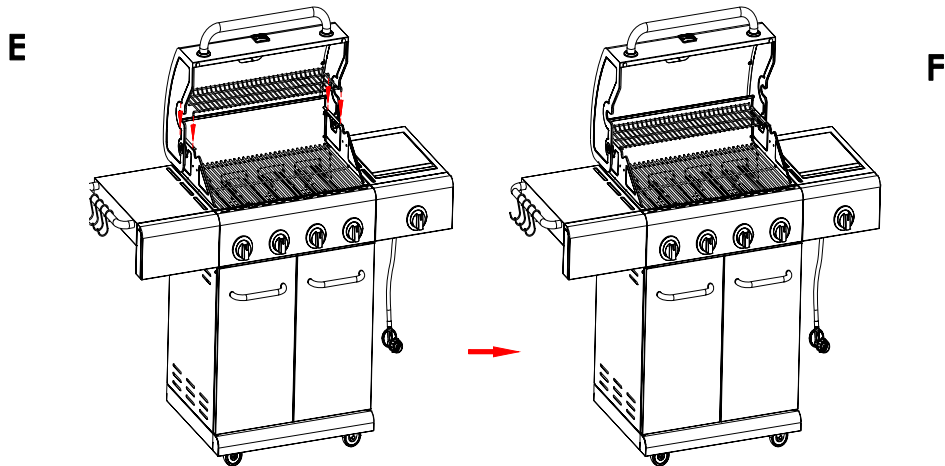
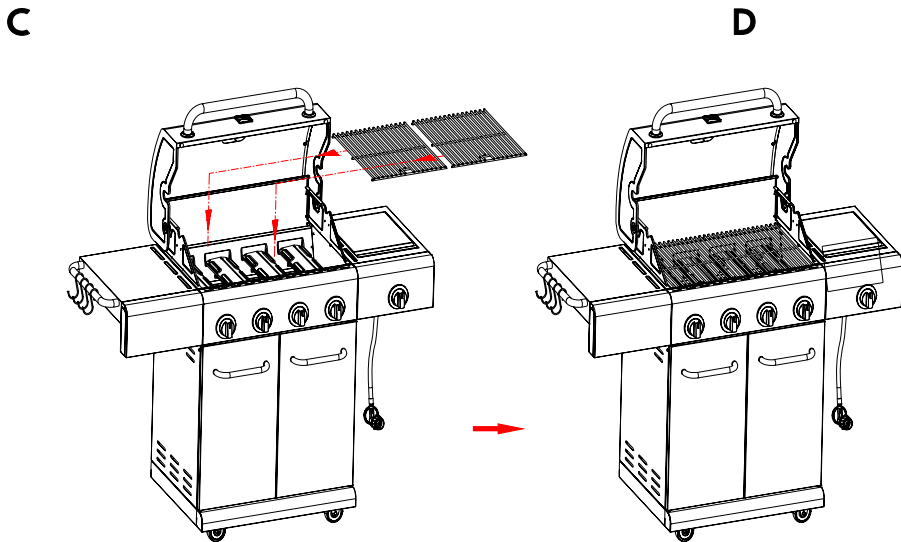
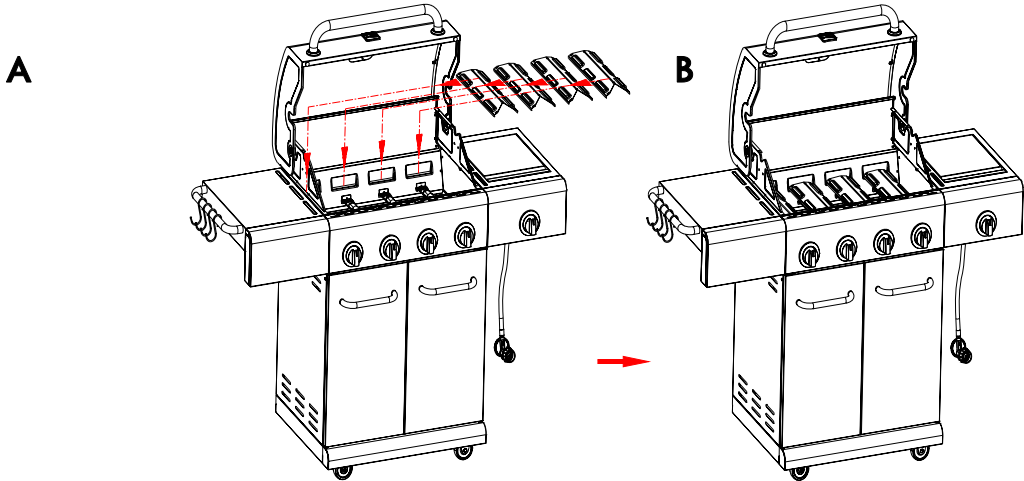
- Afloje el quemador lateral en el estante lateral. (B). Para aflojar, desenrosque y retire los dos tornillos delanteros que sostienen el quemador lateral en su lugar. (UN). Nota: No afloje el tornillo del electrodo.
 - Instale el cable del encendedor en la válvula del quemador lateral (C).
 - Quite los 2 tornillos pre-instalados del vástago de la válvula y déjelos a un lado. (RE)
- Inserte la válvula de gas en el tubo del quemador lateral. Inserte el vástago de control de la válvula a través del orificio de la fascia. (MI).
- Instale los dos tornillos previamente retirados. Nota: No apriete estos 2 tornillos hasta que el bisel esté fijado a la cara de la fascia y la válvula (F).
 - Fije el bisel a la cara facial y de la válvula con los tornillos instalados. Primero, coloque un orificio lateral de Bisel al tornillo, y luego conectar el otro al otro tornillo. Asegúrese de que la marca negra arriba. Apriete los 2 tornillos (G) Empuje la perilla de control en el vástago lateral de la válvula del quemador. (MARIDO)
 - Vuelva a colocar el quemador lateral en el estante del quemador lateral con los 2 tornillos previamente retirados. (I) Reemplace la rejilla del quemador lateral. (J)
 - Inserte el electrodo en la cabeza del electrodo (K).
 - Desenrosque la tapa del encendedor del panel de control. Inserte (l) una pila AA (suministrada en el blister) en la ranura de la batería con el extremo positivo (+) hacia afuera.





Rejillas y difusores de calor, cocina estante que se calienta

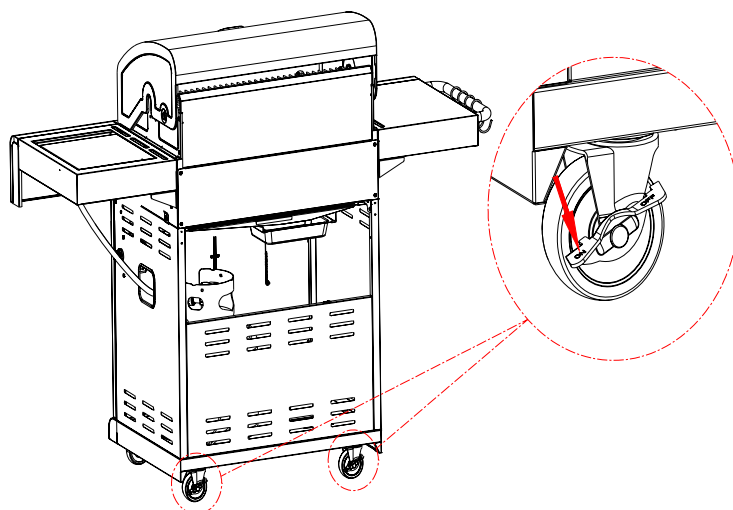
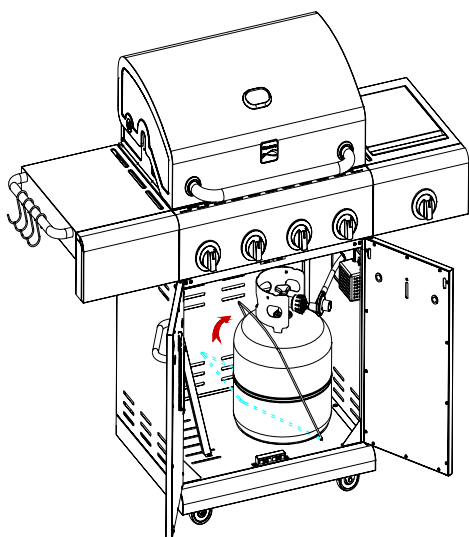
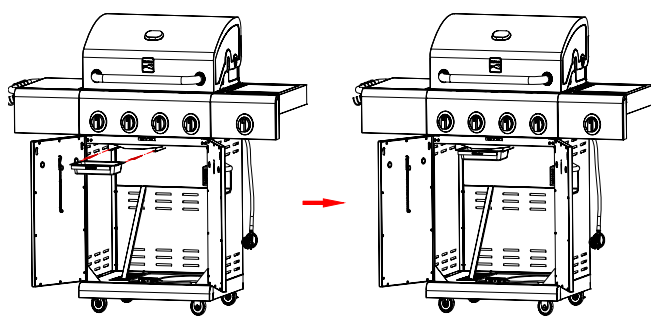
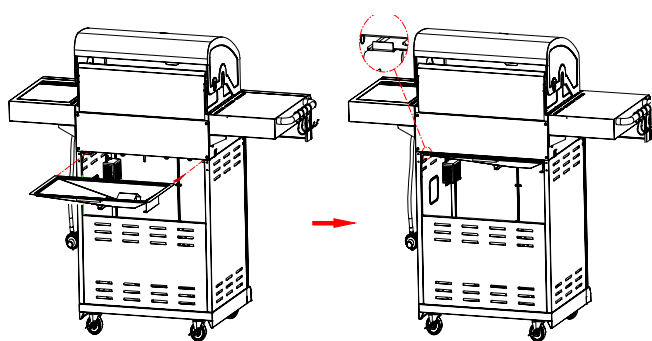
- Coloque difusores de calor sobre los quemadores. Difusores caben en la cámara de combustión en cualquier dirección.
- Coloque las parrillas de cocción sobre sus rejilla descansa en la parte delantera y trasera de la cámara de combustión.
- Inserte la rejilla para calentar en los soportes en la parte superior de la cámara de combustión con el borde de upcurved como se muestra.



11

Gotee la bandeja, la taza del goteo y el tanque del LP

- Inserte la bandeja de goteo en la parte inferior de la caja de fuego desde la parte posterior. A continuación, abra la puerta e inserte la cubeta de escurrido en la ranura de la taza de goteo.
- Alimentar el regulador y la manguera a través del agujero en el panel lateral derecho.
- LP tanque de gas se vende por separado. Use sólo con una (Dispositivo de protección contra sobrellenado) OPD tanque de gas equipada. Llenar y revíselo para detectar fugas antes de conectarlo a la parrilla y el regulador
- Coloque el tanque de gas en la plataforma inferior con abertura del protector del frente a la parte delantera como se muestra. Elevar portatanque para sujetar firmemente el tanque en su lugar..
- Siempre cierre frenos de las ruedas cuando la parrilla está en una ubicación de cocción deseado para ayudar a la estancia de la parrilla en su lugar para un funcionamiento estable.



	CAUTION	
<p>La falta de instalar el clip de la taza del goteo y la taza hará el goteo caliente gotear del fondo de la parrilla con el riesgo del fuego o de los daños materiales.</p>		

	CAUTION	
<p>La falta de instalar el tanque puede permitir correctamente que la manguera del gas sea en funcionamiento dañado.</p>		

EMERGENCIAS: Si no se puede detener una fuga de gas, o si ocurre un incendio debido a una fuga de gas, llame a los bomberos.

Emergencias	Causas probables	Medidas de prevención / solución
<p>Fuga de gas de mangueras quebradas, cortadas o quemadas.</p> <p>Fuga de gas del cilindro.</p> <p>Fuga de gas de la válvula del cilindro de gas.</p> <p>Fuga de gas entre cilindro de gas y la conexión del regulador.</p> <p>Sale fuego a través del panel de control.</p> <p>Hay continuamente fuego de la grasa o demasiadas llamas sobre la superficie de cocinar.</p>	<ul style="list-style-type: none"> Manguera dañada. Falla mecánica debido a la oxidación o al mal uso. Falla de la válvula del cilindro debida a mal uso o a falla mecánica. Instalación inadecuada, la conexión no está bien apretada, falla de la junta de caucho. Fuego en la sección del tubo del quemador debido a un bloqueo. Demasiada grasa acumulada en la zona del quemador. 	<ul style="list-style-type: none"> Cierre el gas en el cilindro o en la fuente de los sistemas de gas natural. Si tiene todo tipo de desperfectos, pero no está quemada, cambie la válvula/la manguera/ el regulador. Si está quemada, deje de usar el producto hasta que un plomero haya investigado la causa y haya hecho las correcciones. Cambie el cilindro de gas. Cierre la válvula del cilindro de gas. Devuelva el cilindro al proveedor de gas. Cierre la válvula del cilindro de gas. Retire el regulador del cilindro y examine visualmente la junta de caucho para detectar cualquier daño. Lea las secciones tituladas Prueba para detectar fugas en un cilindro de gas y Como conectar el regulador al cilindro de gas. Cierre las perillas de control y la válvula del cilindro de gas. Deje abierta la tapa para permitir que las llamas se extingan. Una vez que se haya extinguido el fuego y la parrilla esté fría, retire el quemador y examínelo para ver si tiene nidos de arañas o herrumbre. Lea las páginas relativas a Los peligros naturales y la limpieza de la unidad del quemador. Cierre las perillas de control y la válvula del cilindro de gas. Deje abierta la tapa para permitir que las llamas se extingan. Una vez que se haya enfriado, limpie las partículas de comida y la acumulación de grasa en la parte interior de la zona de la cámara de combustión, de la lata para la grasa y de toda otra superficie.

Resolución de problemas

Problema	Causas probables	Medidas de prevención / solución
<p>El quemador o los quemadores no se enciende(n) al usar el encendedor.</p> <p><i>Continúa en la página siguiente.</i></p>	<p>PROBLEMAS DE GAS:</p> <ul style="list-style-type: none"> Está tratando de encender el quemador equivocado. El quemador no está conectado a la válvula de control. Obstrucción en el quemador. No hay flujo de gas. Hay vapor atrapado en la tuerca de unión al tanque de gas. La tuerca de unión y la válvula del tanque de gas no están bien conectadas. <p>PROBLEMAS DE ELECTRICIDAD:</p> <ul style="list-style-type: none"> Electrodo quebrado o roto; salen "chispas de la quebradura". La punta del electrodo no está en posición correcta. 	<ul style="list-style-type: none"> Lea las instrucciones en el panel de control y en la sección titulada <i>Uso y cuidado</i>. Verifique que las válvulas estén ubicadas dentro de los tubos de los quemadores. Verifique que el tubo de los quemadores no esté obstruido con telarañas u otras materias. Lea la sección de limpieza de <i>Uso y cuidado</i>. Verifique que el tanque no esté vacío. Si el tanque de gas no está vacío, lea la sección referente a la <i>Caída repentina del flujo de gas</i>. Cierre las perillas y desconecte la tuerca de unión del tanque. Vuelva a conectarla y trate de nuevo. Gire la tuerca de unión entre media vuelta y tres cuartos de vuelta adicionales, hasta que no la pueda girar más. Apriétela a mano únicamente, no use herramientas. Cambie el (los) electrodo(s). <p>Quemadores principales:</p> <ul style="list-style-type: none"> La punta del electrodo debe estar orientada hacia el agujero de combustión del quemador. La distancia debe ser de 1/8" a 1/4". Ajustela si es necesario. <p>Quemador lateral (si lo tiene)</p> <ul style="list-style-type: none"> La punta del electrodo debe estar orientada hacia el agujero de combustión del quemador. La distancia debe ser de 1/8" a 3/16". Ajustela si es necesario.

Resolución de problemas (continuación)

Problema	Causas probables	Medidas de prevención / solución
El quemador o los quemadores no se enciende(n) al usar el encendedor.	<ul style="list-style-type: none"> • El cable o el electrodo está cubierto con restos de comida. • Los cables están flojos o desconectados. • Los cables producen cortocircuitos (chispas) entre el encendedor y el electrodo. <p>BOTÓN PULSADOR PIEZOELÉCTRICO Y GIRATORIO:</p> <ul style="list-style-type: none"> • El botón pulsador se pega en el fondo. • La perilla giratoria gira sin hacer clic. • Hay chispas entre el encendedor y el electrodo. 	<ul style="list-style-type: none"> • Limpie el cable y el electrodo con alcohol de frotar y un hisopo limpio. • Vuelva a conectar los cables o cambie la unidad de electrodo/cable. • Cambie la unidad del cable del encendedor / el electrodo. • Cambie el encendedor. • Cambie la perilla. • Examine el aislamiento de los cables y verifique que las conexiones estén bien hechas. Cambie los cables si tienen roto el aislamiento.
El quemador o los quemadores no se encienden al usar fósforos.	<ul style="list-style-type: none"> • Lea "PROBLEMAS DE GAS:" en la página anterior. • El fósforo no llega al punto de encendido. • Método inadecuado de encender con fósforos. 	<ul style="list-style-type: none"> • Use un fósforo de palito largo (fósforo para encender chimeneas). • Lea la sección de limpieza de <i>Uso y cuidado</i>.
Llama baja, gota en flujo del gas.	<ul style="list-style-type: none"> • Se acabó el gas. • Se activó la válvula por sobrecarga de gas. • Hay vapor atrapado en la conexión de la tuerca de unión y el tanque de gas. 	<ul style="list-style-type: none"> • Verifique que el tanque de gas esté cargado. • Dé vuelta apagado al control y las perillas del tanque, esperen 30 segundos, perilla del tanque de la vuelta encendido lentamente, parrilla ligera. Si las llamas siguen siendo bajas, dé vuelta apagado a las perillas del control y del tanque y desconecte el regulador. Vuelva a conectar el regulador, perilla del tanque de la vuelta encendido lentamente, parrilla ligera. • Dé vuelta apagado al control y a las perillas del tanque y desconecte el regulador. Vuelva a conectar el regulador, gire la perilla del tanque lentamente, parrilla ligera.
Llamas que se apagan.	<ul style="list-style-type: none"> • Vientos fuertes. • Bajo flujo de gas propano. • Se activó la válvula por sobrecarga de gas. 	<ul style="list-style-type: none"> • Gire el frente de la parrilla de modo que quede de cara al viento, o aumente la graduación de las llamas. • Recargue el tanque de gas. • Lea lo referente a la <i>Cáida repentina del flujo de gas</i> en la sección anterior.
Fogonazos.	<ul style="list-style-type: none"> • Acumulación de grasa. • Carne sumamente grasosa. • Temperatura de cocción muy elevada. 	<ul style="list-style-type: none"> • Limpie los quemadores y el interior de la parrilla / cámara de combustión. • Desgrase la carne antes de cocinarla a la parrilla. • Ajuste (baje) la temperatura según corresponda.
producidos por la grasa.	<ul style="list-style-type: none"> • Grasa atrapada por acumulación de restos de comida alrededor del sistema del quemador. 	<ul style="list-style-type: none"> • Cierre las perillas. Cierre el paso de gas desde el tanque. Deje la tapa en su sitio y deje que se apague el fuego. Después de que se enfríe la parrilla, retire y limpie todas las piezas.
Retorno de las llamas (fuego en el (los) tubo(s) del quemador).	<ul style="list-style-type: none"> • El quemador o los tubos del quemador están obstruidos. 	<ul style="list-style-type: none"> • Cierre las perillas. Limpie el quemador o los tubos del quemador. Lea la sección de limpieza del quemador de <i>Uso y cuidado</i>.
No se puede recargar el tanque de gas propano.	<ul style="list-style-type: none"> • Algunos vendedores de gas tienen boquillas de llenado viejas, con las roscas gastadas. 	<ul style="list-style-type: none"> • Las boquillas desgastadas no tienen suficiente "agarre" para conectarse a la válvula. Comuníquese con otro vendedor de gas.
Un quemador no se enciende desde el quemador otra (s).	<ul style="list-style-type: none"> • La acumulación de grasa o partículas de alimentos en el extremo (s) de tubo de prórroga (s). Fuegos persistentes, 	<ul style="list-style-type: none"> • Gire las perillas en OFF. Apague el gas en el cilindro LP. Deje la tapa en su posición y dejar que el fuego se quemé. Después de la parrilla se enfríe, quite y limpie todas las partes.

Resolución de problemas – Encendido electrónico

Problema (encendido)	Causas probables	Procedimiento de revisión	Medidas de prevención / solución
SECCIÓN I No aparecen chispas en ningún electrodo cuando se pulsa el botón de encendido; no se oye ningún sonido del módulo de chispas.	<ul style="list-style-type: none"> • La pila no está instalada adecuadamente. • Pila gastada. • La unidad del botón no está instalada adecuadamente. • Módulo de chispas defectuoso. 	<ul style="list-style-type: none"> • Revise la orientación de la pila. • ¿Es una pila usada? • Revise que las piezas estén debidamente enroscadas. El botón debe desplazarse hacia arriba y hacia abajo sin trabas. • Si no se generan chispas con la pila nueva y las conexiones del cable están bien hechas, el módulo está defectuoso. 	<ul style="list-style-type: none"> • Instale la pila (verifique que los polos "+" y "-" estén orientados correctamente, con el extremo "+" hacia arriba y el extremo "-" hacia abajo). • Cámbiela por una pila alcalina nueva, de tamaño AA. • Desenrosque la tapa del botón y vuelva a instalarla; verifique que las roscas estén bien alineadas y bien enroscadas. • Cambie la unidad del módulo de chispas.
SECCIÓN II No aparece ninguna chispa en los electrodos cuando se pulsa el interruptor de encendido; no se oye ningún sonido.	<ul style="list-style-type: none"> • Las conexiones del cable de salida no están bien hechas. 	<ul style="list-style-type: none"> • ¿Están conectadas y bien hechas las conexiones de salida? 	<ul style="list-style-type: none"> • Retire y vuelva a hacer todas las conexiones de salida en el módulo y en los electrodos.
SECCIÓN III Hay chispas pero no en todos los electrodos y/o no a plena potencia.	<ul style="list-style-type: none"> • Las conexiones del cable de salida no están bien hechas. • El arco de la parrilla se forma lejos del (de los) quemador(es). • Pila débil. • Los electrodos están húmedos. • Los electrodos están agrietados o rotos, con "chispas en las grietas". 	<ul style="list-style-type: none"> • ¿Están conectadas y bien hechas las conexiones de salida? • Si es posible, observe la parrilla en un lugar oscuro. Haga funcionar el sistema de encendido y trate de detectar la formación del arco entre los cables de salida y el marco de la parrilla. • Se forman todas las chispas pero son débiles o lentas. • ¿Se ha acumulado humedad en el electrodo y/o en los orificios de combustión? • Examine los electrodos para detectar grietas. 	<ul style="list-style-type: none"> • Retire y vuelva a hacer todas las conexiones de salida en el módulo y en los electrodos. • Si se observan chispas que no sean del (de los) quemador(es), es posible que esté dañado el aislamiento de los cables. Cambie los cables. • Cambie la pila por una pila alcalina nueva, de tamaño AA. • Use una toalla de papel para secar la humedad. • Cambie los electrodos agrietados o rotos.