

# OPERATOR'S MANUAL

## Zero-Turn Tractor Lapbar

---

### Table of Contents

<i>Important Safe Operation Practices</i> .....	2	<i>Product Care</i> .....	15
<i>Assembly &amp; Set-Up</i> .....	6	<i>Parts/Warranty</i> .....	<i>See Separate Supplement</i>
<i>Controls &amp; Operation</i> .....	9		

---

### **WARNING**

**READ AND FOLLOW ALL SAFETY RULES AND INSTRUCTIONS IN THIS MANUAL  
BEFORE ATTEMPTING TO OPERATE THIS MACHINE.  
FAILURE TO COMPLY WITH THESE INSTRUCTIONS MAY RESULT IN PERSONAL INJURY.**

**NOTE:** This Operator's Manual covers several models. Features may vary by model. Not all features in this manual are applicable to all models and the model depicted may differ from yours.



**⚠ WARNING**

⚠ This symbol points out important safety instructions which, if not followed, could endanger the personal safety and/or property of yourself and others. Read and follow all instructions in this manual before attempting to operate this machine. Failure to comply with these instructions may result in personal injury. When you see this symbol. **HEED ITS WARNING!**

**⚠ WARNING**

California Proposition 65

Engine Exhaust, some of its constituents, and certain vehicle components contain or emit chemicals known to State of California to cause cancer and birth defects or other reproductive harm.  
 Battery posts, terminals, and related accessories contain lead and lead compounds, chemicals known to the State of California to cause cancer and reproductive harm. Wash hands after handling.

**⚠ DANGER**

This machine was built to be operated according to the safe operation practices in this manual. As with any type of power equipment, carelessness or error on the part of the operator can result in serious injury. This machine is capable of amputating hands and feet and throwing objects. Failure to observe the following safety instructions could result in serious injury or death.

## General Operation

1. Read, understand, and follow all instructions on the machine and in the manual(s) before attempting to assemble and operate. Keep this manual in a safe place for future and regular reference and for ordering replacement parts.
2. Be familiar with all controls and their proper operation. Know how to stop the machine and disengage them quickly.
3. Never allow children under 14 years of age to operate this machine. Children 14 and over should read and understand the instructions and safe operation practices in this manual and on the machine and should be trained and supervised by an adult.
4. Never allow adults to operate this machine without proper instruction.
5. To help avoid blade contact or a thrown object injury, keep bystanders, helpers, children and pets at least 75 feet from the machine while it is in operation. Stop machine if anyone enters the area.
6. Thoroughly inspect the area where the equipment is to be used. Remove all stones, sticks, wire, bones, toys, and other foreign objects which could be picked up and thrown by the blade(s). Thrown objects can cause serious personal injury.
7. Plan your mowing pattern to avoid discharge of material toward roads, sidewalks, bystanders and the like. Also, avoid discharging material against a wall or obstruction which may cause discharged material to ricochet back toward the operator.
8. Always wear safety glasses or safety goggles during operation and while performing an adjustment or repair to protect your eyes. Thrown objects which ricochet can cause serious injury to the eyes.
9. Wear sturdy, rough-soled work shoes and close-fitting slacks and shirts. Loose fitting clothes and jewelry can be caught in movable parts. Never operate this machine in bare feet or sandals.
10. For extended use of this product, hearing protection is recommended
11. Be aware of the mower and attachment discharge direction and do not point it at anyone. Do not operate the mower without the discharge cover or entire grass catcher in its proper place.
12. Do not put hands or feet near rotating parts or under the cutting deck. Contact with the blade(s) can amputate hands and feet.
13. A missing or damaged discharge cover can cause blade contact or thrown object injuries.
14. Stop the blade(s) when crossing gravel drives, walks, or roads and while not cutting grass.
15. Watch for traffic when operating near or crossing roadways. This machine is not intended for use on any public roadway.
16. Do not operate the machine while under the influence of alcohol or drugs.
17. Mow only in daylight or good artificial light.
18. Never carry passengers.
19. Do not use the machine for towing.
20. Back up slowly. Always look down and behind before and while backing to avoid a back-over accident. Be aware and pay attention to the safety system function that stops power to the blades when driving in reverse. If not functioning properly, contact an authorized dealer for safety system inspection and repair.
21. Slow down before turning. Operate the machine smoothly. Avoid erratic operation and excessive speed.
22. Disengage blade(s), set parking brake, stop engine and wait until the blade(s) come to a complete stop before removing grass catcher, emptying grass, unclogging chute, removing any grass or debris, or making any adjustments.
23. Never leave a running machine unattended. Always turn off blade(s), place drive control levers in neutral, set parking brake, stop engine and remove key before dismounting.
24. Use extra care when loading or unloading the machine into a trailer or truck. This machine should not be driven up or down ramp(s), because the machine could tip over, causing serious personal injury. The machine must be pushed manually on ramp(s) to load or unload properly.
25. Muffler and engine become hot and can cause a burn. Do not touch.
26. Check overhead clearances carefully before driving under low hanging tree branches, wires, door openings etc., where the operator may be struck or pulled from the machine, which could result in serious injury.
27. Disengage all attachment clutches and move the drive control levers fully outward into the neutral position which activates the parking brake before attempting to start the engine.
28. Your machine is designed to cut normal residential grass of a height no more than 10". Do not attempt to mow through unusually tall, dry grass (e.g., pasture) or piles of dry leaves. Dry grass or leaves may contact the engine exhaust and/or build up on the mower deck presenting a potential fire hazard.
29. Use only accessories and attachments approved for this machine by the machine manufacturer. Read, understand and follow all instructions provided with the approved accessory or attachment.
30. Data indicates that operators, age 60 years and above, are involved in a large percentage of riding mower-related injuries. These operators should evaluate their ability to operate the riding mower safely enough to protect themselves and others from serious injury.
31. If situations occur which are not covered in this manual, use care and good judgment. Contact your customer service representative for assistance.

## Slope Operation

Slopes are a major factor related to loss of control and tip-over accidents which can result in severe injury or death. All slopes require extra caution. If you cannot back up the slope or if you feel uneasy on it, do not mow it.

For your safety, use the slope gauge included as part of this manual to measure slopes before operating this machine on a sloped or hilly area. If the slope is greater than 15 degrees as shown on the slope gauge, do not operate this machine on that area or serious injury could result.

**Do:**

1. Mow across slopes, not up and down. Exercise extreme caution when changing direction on slopes.
2. Watch for holes, ruts, bumps, rocks, or other hidden objects. Uneven terrain could overturn the machine. Tall grass can hide obstacles.
3. Use slow speed. Choose a low enough speed so that you will not have to stop while on the slope. Avoid starting or stopping on a slope. If the tires are unable to maintain traction, disengage the blades and proceed slowly and carefully straight down the slope.
4. Follow the manufacturer's recommendations for wheel weights or counterweights to improve stability.
5. Use extra care with grass catchers or other attachments. These can change the stability of the machine.

- Keep all movement on the slopes slow and gradual. Do not make sudden changes in speed or direction. Rapid acceleration or deceleration could cause the front of the machine to lift and rapidly roll over backwards, which could cause serious injury.

#### Do Not:

- Do not turn on slopes unless necessary; then turn slowly uphill and use extra care while turning.
- Do not mow near drop-offs, ditches or embankments. The mower could suddenly turn over if a wheel is over the edge of a cliff, ditch, or if an edge caves in.
- Do not try to stabilize the machine by putting your foot on the ground.
- Do not use a grass catcher on steep slopes.
- Do not mow on wet grass. Reduced traction could cause sliding.

#### Children

- Tragic accidents can occur if the operator is not alert to the presence of children. Children are often attracted to the machine and the mowing activity. They do not understand the dangers. Never assume that children will remain where you last saw them.
  - Keep children out of the mowing area and in watchful care of a responsible adult other than the operator.
  - Be alert and turn machine off if a child enters the area.
  - To avoid back-over accidents, always look behind and down for small children.
  - Never carry children, even with the blade(s) shut off. They may fall off and be seriously injured or interfere with safe machine operation.
  - Use extreme care when approaching blind corners, doorways, shrubs, trees or other objects that may block your vision of a child who may run into the path of the machine.
  - Keep children away from hot or running engines. They can suffer burns from a hot muffler.
  - Remove key when machine is unattended to prevent unauthorized operation.
- Never allow children under 14 years of age to operate this machine. Children 14 and over should read and understand the instructions and safe operation practices in this manual and on the machine and should be trained and supervised by an adult.

#### Towing

- Tow only with a machine that has a hitch designed for towing. Do not attach towed equipment except at the hitch point.
- Follow the manufacturer's recommendation for weight limits for towed equipment and towing on slopes.
- Never allow children or others in or on towed equipment.
- On slopes, the weight of the towed equipment may cause loss of traction and loss of control.
- Always use extra caution when towing with a machine capable of making tight turns (e.g. "zero-turn" ride-on mower). Make wide turns to avoid jack-knifing.

- Travel slowly and allow extra distance to stop.
- Do not shift to neutral and coast downhill.

#### Service

##### Safe Handling of Gasoline:

- To avoid personal injury or property damage use extreme care in handling gasoline. **Gasoline is extremely flammable and the vapors are explosive.** Serious personal injury can occur when gasoline is spilled on yourself or your clothes which can ignite. Wash your skin and change clothes immediately.
  - Use only an approved gasoline container.
  - Never fill containers inside a vehicle or on a truck or trailer bed with a plastic liner. Always place containers on the ground away from your vehicle before filling.
  - When practical, remove gas-powered equipment from the truck or trailer and refuel it on the ground. If this is not possible, then refuel such equipment on a trailer with a portable container, rather than from a gasoline dispenser nozzle.
  - Keep the nozzle in contact with the rim of the fuel tank or container opening at all times until fueling is complete. Do not use a nozzle lock-open device.
  - Extinguish all cigarettes, cigars, pipes and other sources of ignition.
  - Never fuel machine indoors.
  - Never remove gas cap or add fuel while the engine is hot or running. Allow engine to cool at least two minutes before refueling.
  - Never over fill fuel tank. Fill tank to no more than 1/2" below bottom of filler neck to allow space for fuel expansion.
  - Replace gasoline cap and tighten securely.
  - If gasoline is spilled, wipe it off the engine and equipment. Move machine to another area. Wait 5 minutes before starting the engine.
  - To reduce fire hazards, keep machine free of grass, leaves, or other debris build-up. Clean up oil or fuel spillage and remove any fuel soaked debris.
  - Never store the machine or fuel container inside where there is an open flame, spark or pilot light as on a water heater, space heater, furnace, clothes dryer or other gas appliances.
  - Allow a machine to cool at least five minutes before storing.
- Periodically check to make sure the blades come to complete stop within approximately (5) five seconds after operating the blade disengagement control. If the blades do not stop within the this time frame, your machine should be serviced professionally by an authorized dealer.
- Regularly check the safety interlock system for proper function, as described later in this manual. If the safety interlock system does not function properly, have your machine serviced professionally by an authorized dealer.
- Check the blade(s) and engine mounting bolts at frequent intervals for proper tightness. Also, visually inspect blade(s) for damage (e.g., excessive wear, bent, cracked). Replace the blade(s) with the original equipment manufacturer's (O.E.M.) blade(s) only, listed in this manual. "Use of parts which do not meet the original equipment specifications may lead to improper performance and compromise safety!"
- Mower blades are sharp. Wrap the blade or wear gloves, and use extra caution when servicing them.
- Keep all nuts, bolts, and screws tight to be sure the equipment is in safe working condition.
- Never tamper with the safety interlock system or other safety devices. Check their proper operation regularly.
- After striking a foreign object, stop the engine, disconnect the spark plug wire(s) and ground against the engine. Thoroughly inspect the machine for any damage. Repair the damage before starting and operating.
- Never attempt to make adjustments or repairs to the machine while the engine is running.
- Grass catcher components and the discharge cover are subject to wear and damage which could expose moving parts or allow objects to be thrown. For safety protection, frequently check components and replace immediately with original equipment manufacturer's (O.E.M.) parts only, listed in this manual. "Use of parts which do not meet the original equipment specifications may lead to improper performance and compromise safety!"
- Do not change the engine governor settings or over-speed the engine. The governor controls the maximum safe operating speed of the engine.
- Maintain or replace safety and instruction labels, as necessary.
- Observe proper disposal laws and regulations for gas, oil, etc. to protect the environment.
- According to the Consumer Products Safety Commission (CPSC) and the U.S. Environmental Protection Agency (EPA), this product has an *Average Useful Life* of seven (7) years, or 270 hours of operation. At the end of the *Average Useful Life* have the machine inspected annually by an authorized service dealer to ensure that all mechanical and safety systems are working properly and not worn excessively. Failure to do so can result in accidents, injuries or death.

##### General Service

- Never run an engine indoors or in a poorly ventilated area. Engine exhaust contains carbon monoxide, an odorless, and deadly gas.
- Before cleaning, repairing, or inspecting, make certain the blade(s) and all moving parts have stopped. Disconnect the spark plug wire and ground against the engine to prevent unintended starting.

## Do not modify engine

To avoid serious injury or death, do not modify engine in any way. Tampering with the governor setting can lead to a runaway engine and cause it to operate at unsafe speeds. Never tamper with factory setting of engine governor.

## Notice Regarding Emissions

Engines which are certified to comply with California and federal EPA emission regulations for SORE (Small Off Road Equipment) are certified to operate on regular unleaded gasoline, and may include the following emission control systems: Engine Modification (EM) and Three Way Catalyst (TWC) if so equipped.

When required, models are equipped with low permeation fuel lines and fuel tanks for evaporative emission control. California models may also include a carbon canister. Please contact Customer Support for information regarding the evaporative emission control configuration for your model.

## Spark Arrestor

**⚠ WARNING**















This machine is equipped with an internal combustion engine and should not be used on or near any unimproved forest-covered, brush-covered or grass-covered land unless the engine's exhaust system is equipped with a spark arrestor meeting applicable local or state laws (if any).

If a spark arrestor is used, it should be maintained in effective working order by the operator. In the State of California the above is required by law (Section 4442 of the California Public Resources Code). Other states may have similar laws. Federal laws apply on federal lands.

A spark arrestor for the muffler is available through your nearest engine authorized service dealer or contact the service department, P.O. Box 361131 Cleveland, Ohio 44136-0019.

## Safety Symbols

This page depicts and describes safety symbols that may appear on this product. Read, understand, and follow all instructions on the machine before attempting to assemble and operate.

Symbol	Description
	<b>READ THE OPERATOR'S MANUAL(S)</b> Read, understand, and follow all instructions in the manual(s) before attempting to assemble and operate.
	<b>DANGER — ROTATING BLADES</b> Never carry passengers. Never carry children, even with the blades off.
	<b>DANGER — ROTATING BLADES</b> Mowing in reverse is not recommended.
	<b>WARNING — ROTATING BLADES</b> Do not put hands or feet near rotating parts or under the cutting deck. Contact with the blade(s) can amputate hands and feet.
	<b>DANGER — ROTATING BLADES</b> Look down and behind before and while backing to avoid a back-over accident.
	<b>WARNING — THROWN OBJECTS</b> This machine may pick up and throw and objects which can cause serious personal injury.
	<b>DANGER — SAFETY DEVICES</b> Keep safety devices (guards, shields, switches, etc.) in place and working.
	<b>WARNING — BYSTANDERS</b> Keep bystanders, helpers, children and pets at least 75 feet from the machine while it is in operation.
	<b>WARNING — SLOPE OPERATION</b> Do not operate this machine on a slope greater than 15 degrees. Do not mow up and down slopes. Mow across slopes no greater than 15 degrees. Avoid sudden turns. Use low speed. If machine stops going uphill, stop blades and back down slowly.
	<b>WARNING — HOT SURFACE</b> Engine parts, especially the muffler, become extremely hot during operation. Allow engine and muffler to cool before touching.
	<b>DANGER — ROTATING BLADES</b> To reduce the risk of injury, keep hands and feet away. Do not operate unless discharge cover or grass catcher is in its proper place. If damaged, replace immediately.
	<b>WARNING — FIRE HAZARD</b> Allow machine to cool before fueling or storing.
	<b>WARNING — FIRE HAZARD</b> Do not drive through piles of dry leaves or tall grass.
	<b>WARNING — FIRE HAZARD</b> Do not allow debris to accumulate. The build up of debris can lead to a fire.



**WARNING!** Your Responsibility—Restrict the use of this power machine to persons who read, understand and follow the warnings and instructions in this manual and on the machine.

**SAVE THESE INSTRUCTIONS!**

## Slope Gauge

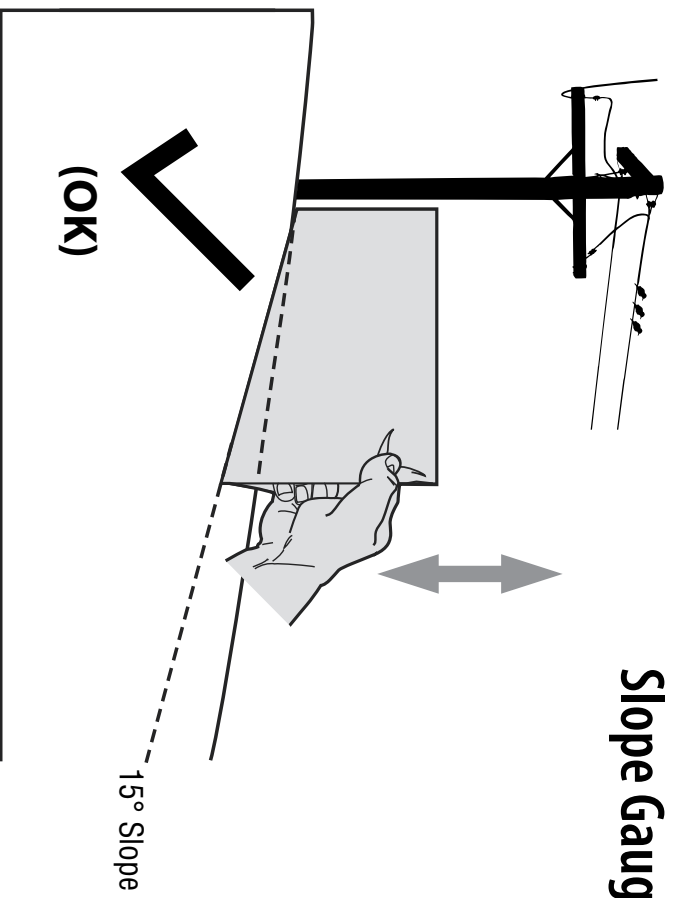


Figure 1

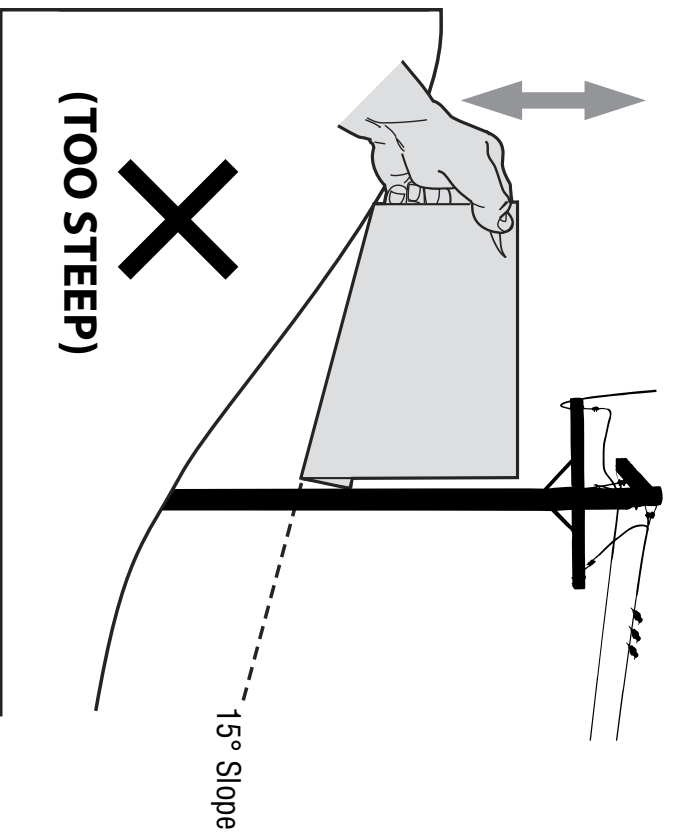


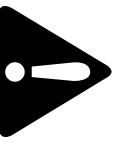
Figure 2

### USE THIS SLOPE GAUGE TO DETERMINE IF A SLOPE IS TOO STEEP FOR SAFE OPERATION!

To check the slope, proceed as follows:

1. Remove this page and fold along the dashed line.
2. Locate a vertical object on or behind the slope (e.g. a pole, building, fence, tree, etc.)
3. Align either side of the slope gauge with the object (See Figure 1 and Figure 2).
4. Adjust gauge up or down until the left corner touches the slope (See Figure 1 and Figure 2).
5. If there is a gap below the gauge, the slope is too steep for safe operation (See Figure 2 above).

*15° dashed line*



**WARNING!** Slopes are a major factor related to tip-over and roll-over accidents which can result in severe injury or death. Do not operate machine on slopes in excess of 15 degrees. All slopes require extra caution. If you cannot back up the slope or if you feel uneasy on it, do not mow it. Always mow up and down slopes, never across the face of slopes.

## Thank You

Thank you for purchasing this product. It was carefully engineered to provide excellent performance when properly operated and maintained.

Please read this entire manual prior to operating the equipment. It instructs you how to safely and easily set up, operate and maintain your machine. Please be sure that you, and any other persons who will operate the machine, carefully follow the recommended safety practices at all times. Failure to do so could result in personal injury or property damage.

All information in this manual is relative to the most recent product information available at the time. Review this manual frequently to familiarize yourself with the machine, its features and operation. Please be aware that this Operator's Manual may cover a range of product specifications for various models. Characteristics and features discussed and/or illustrated in this manual may not be applicable to all models. We reserve the right to change product specifications, designs and equipment without notice and without incurring obligation.

If applicable, the power testing information used to establish the power rating of the engine equipped on this machine can be found at [www.opei.org](http://www.opei.org) or the engine manufacturer's web site.

If you have any problems or questions concerning the machine, phone your local authorized service dealer or contact us directly. We want to ensure your complete satisfaction at all times.

Throughout this manual, all references to *right* and *left* side of the machine are observed from the operating position.

## Contents of Crate

- Zero-Turn Tractor (1)
- Oil Drain Tube (1)
- Operator's Manual (1)
- Deck Wash Hose Coupler (1)
- Engine Operator's Manual (1)
- Hardware Pack (1)

**Note:** This Operator's Manual covers several models. Tractor features may vary by model. Not all features in this manual are applicable to all tractor models and the tractor depicted may differ from yours.

**Note:** All references in this manual to the left or right side and front or back of the tractor are from the operating position only. Exceptions, if any, will be specified.

## Tractor Preparation

### Manually Moving the Tractor

- Engage the transmission bypass rods, one on each side of the tractor, to move the tractor manually without starting it. The transmission bypass rods are located on the rear of the tractor, just inside each rear wheel. Engage the bypass rods by pulling each one out (a) and to the right (b) to lock it into place. See Figure 2-1 for 34" deck tractors, see Figure 2-2 for all other tractors.

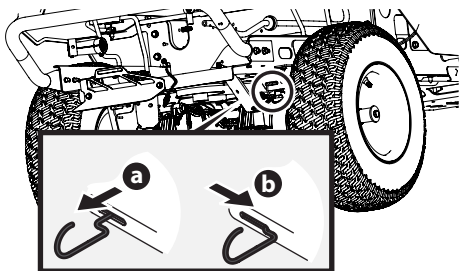


Figure 2-1

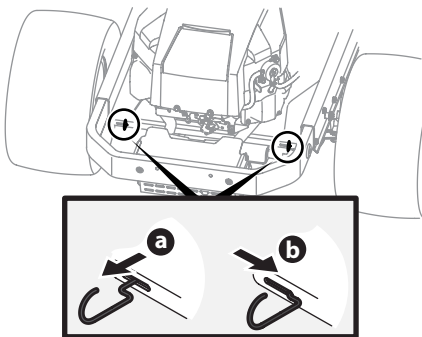


Figure 2-2

- Disengage the bypass rods by reversing the steps after moving the tractor. See Figure 2-1 for 34" deck tractors and Figure 2-2 for all other tractors.

- Remove the deck wash system nozzle adapter from the manual bag and store for future use.

### Install Operator's Seat

To install the seat proceed as follows:

- Note:** The seat is shipped with the seat switch and seat pan attached.
- Cut any straps securing the seat assembly and the drive control levers to the tractor. Remove any packing material.
- Note:** Be careful not to cut the wiring harness connecting the seat and the seat switch.
- Remove the two shoulder screws (a) and lock nuts (b) in the seat pan as shown in Figure 2-3.

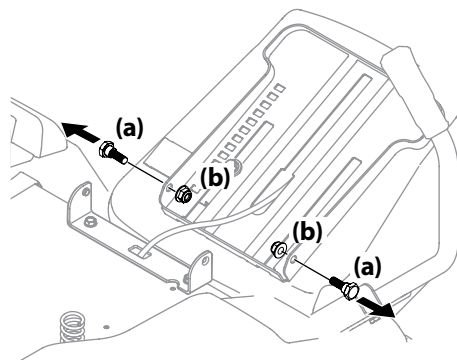


Figure 2-3

- Rotate the seat into position and secure the seat into place with the previously removed shoulder screws (a) and lock nuts (b). Be careful not to crimp or damage the wire harness while installing the seat. See Figure 2-4.

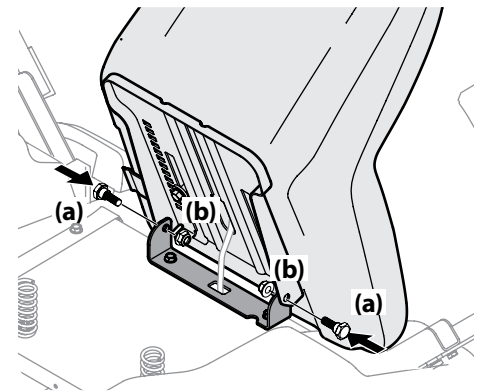


Figure 2-4

- Using the harness clips (if equipped) attached to the harness, secure the excess wiring to the fender by snapping the harness clips in place as shown in Figure 2-5.

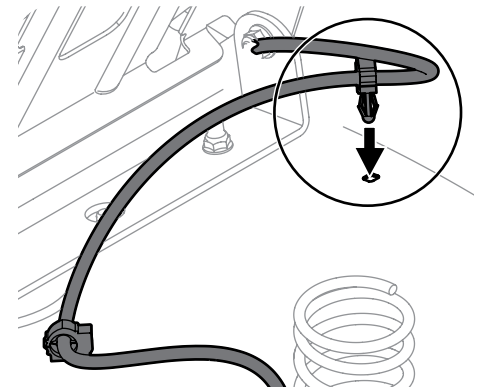


Figure 2-5

**Note:** Be sure to push any excess wire from the wire harness into the seat box hole before continuing.

## Position Drive Control Levers

The drive control levers of the tractor are lowered for shipping purposes. The hex screws and flat washers that normally secure the control levers in their operating position are in a hardware pack inside your manual bag. The control levers must be repositioned to operate the tractor. To reposition the control levers for operation, proceed as follows:

1. Remove the hex screws (a) and flat washers (b) from the hardware pack in your manual bag. See Figure 2-6.

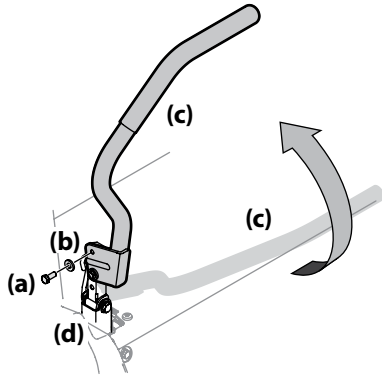


Figure 2-6

2. Lift and swing that control lever (c) upward until the slotted hole in the control lever (c) bracket aligns with one of the holes in the pivot bracket (d). See Figure 2-6.
  3. Slide the flat washer (b) onto the hex screw (a). From the outside, insert the hex screw (a) with the flat washer (b) through the control lever bracket (c) and the hole of the pivot bracket (d). See Figure 2-6. Using a 1/2" wrench snug the hex screw (a), but do not fully tighten.
  4. Note the relative position of the control lever (c) to the pivot bracket (d), then repeat the previous steps to reposition the other control lever (c) in approximately the same position.
- Note:** Torque the hex screws (a) down tightly to prevent the control levers (c) from slipping out of position.
5. Refer to "Adjusting the Drive Control Levers" in the Product Care section for instructions for the final adjustment of the levers.

## Lower Deck Discharge Chute Deflector

### ⚠ WARNING

Never operate the mower deck without the chute deflector installed and in the down position.

**Note:** For models with 34" Deck, skip ahead to "Connecting the Battery Cables". For models with a 46", 50" and 54" Deck skip ahead to step 6.

1. Remove the keys that are attached with a zip tie to the chute bracket.
2. Remove the flange lock nut and hex screw from the deck.

3. Place the chute deflector on the deck, be sure to insert the tabs on the chute deflector into the holes on the deck. See Figure 2-7.

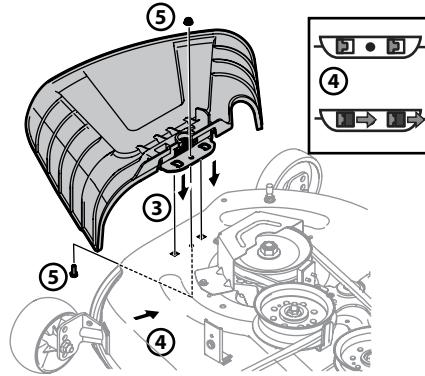


Figure 2-7

4. When the tabs are installed in the deck, slide the chute deflector toward the rear of the tractor until the bolt hole in the chute deflector aligns with the hole in the deck. See Figure 2-7.
5. Secure the chute deflector in place with the flange lock nut and hex screw removed in step 2. Tighten to 102-124 in-lbs. See Figure 2-7.
6. On models with a 46", 50" and 54" decks the chute is shipped attached and with a stop bracket holding the chute upright. The stop brackets must be removed prior to operating the tractor.
7. Holding the chute deflector fully upward, remove the shipping brace. Lower the chute deflector and discard the shipping brace. See Figure 2-8.

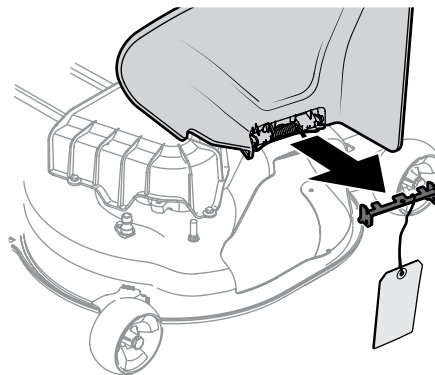


Figure 2-8

## Setting the Front Gauge Wheels (If equipped)

### ⚠ WARNING

Keep hands and feet away from the discharge opening of the cutting deck.

**Note:** The deck wheels are an anti-scalp feature of the deck and are not designed to support the weight of the cutting deck.

Move the tractor on a firm and level surface, preferably pavement, and proceed as follows:

1. Check the tire pressure, make sure the pressure is correct and equal on all tires.

2. Make sure the deck is level, both front-to-back and side-to-side. See the Product Care section for deck leveling information and instructions.
3. Select the height position of the cutting deck by placing the deck lift lever in the normally desired mowing height setting.
4. Check the wheels for contact or excessive clearance with the surface below. The deck wheels should have between 1/4" and 1/2" clearance above the ground. Proceed as follows to adjust the wheels:
  - a. Remove the lock nut (a) securing one of the front gauge wheel (b) shoulder screws (c) to the deck. Remove the gauge wheel (b) and shoulder screw (c). See Figure 2-9.

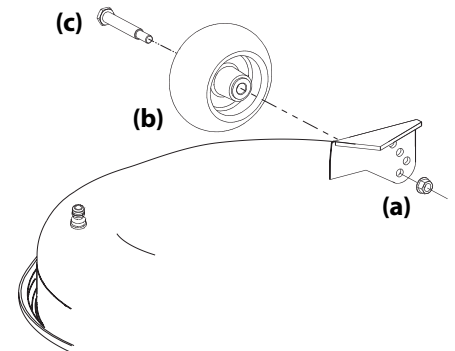


Figure 2-9

- b. Insert the shoulder screw into the one of four index holes in the front gauge wheel bracket that will give the gauge wheel a 1/4-1/2" clearance with the ground.
- c. Note the index hole of the just adjusted wheel, and adjust the other front gauge wheel into the respective index hole of the other front gauge wheel bracket.

**Note:** Refer to Adjusting the Deck in the Product Care section of this manual for more detailed instructions regarding various deck adjustments.

## Connecting the Battery Cables

### ⚠ WARNING

California **PROPOSITION 65 WARNING:** Battery posts, terminals, and related accessories contain lead and lead compounds, chemicals known to the State of California to cause cancer and reproductive harm. Wash hands after handling.

### ⚠ CAUTION

When attaching battery cables, always connect the **POSITIVE (Red) wire** to its terminal first, followed by the **NEGATIVE (Black) wire**.

For shipping reasons, both battery cables on your equipment may have been left disconnected from the terminals at the factory. To connect the battery cables, proceed as follows:

**Note:** The positive battery terminal is marked Pos. (+). The negative battery terminal is marked Neg. (-).

1. Remove the plastic cover, if present, from the positive battery terminal and attach the red cable to the positive battery terminal (+) with the bolt (a) and hex nut (b). See Figure 2-10.

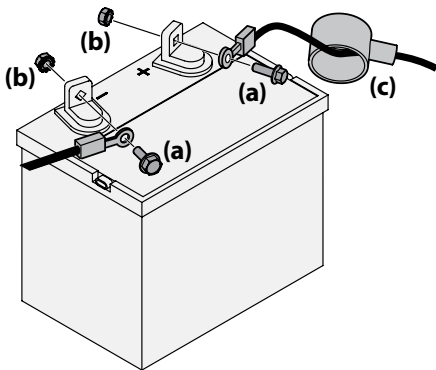


Figure 2-10

2. Remove the plastic cover, if present, from the negative battery terminal and attach the black cable to the negative battery terminal (-) with the bolt (a) and hex nut (b). See Figure 2-10.

3. Position the red rubber boot (c) over the positive battery terminal to help protect it from corrosion.

**Note:** If the battery is put into service after the date shown on top/side of battery, charge the battery as instructed in the Product Care section prior to operating the tractor.

### Adjusting the Seat

To adjust the position of the seat, pull up and hold the seat adjustment lever. Slide the seat forward or rearward to the desired position; then release the adjustment lever. Make sure seat is locked into position before operating the tractor. See Figure 2-11.

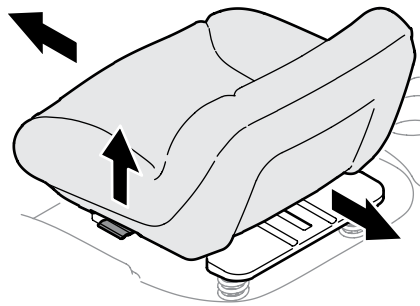


Figure 2-11

### Fuel Fill-Up

Using a good grade of unleaded regular gasoline, fill the tank (beside the engine on the left side of the mower). When the fuel tank reaches one inch from the top of the tank, stop, DO NOT OVERFILL. Space must be left for expansion.

## Notes



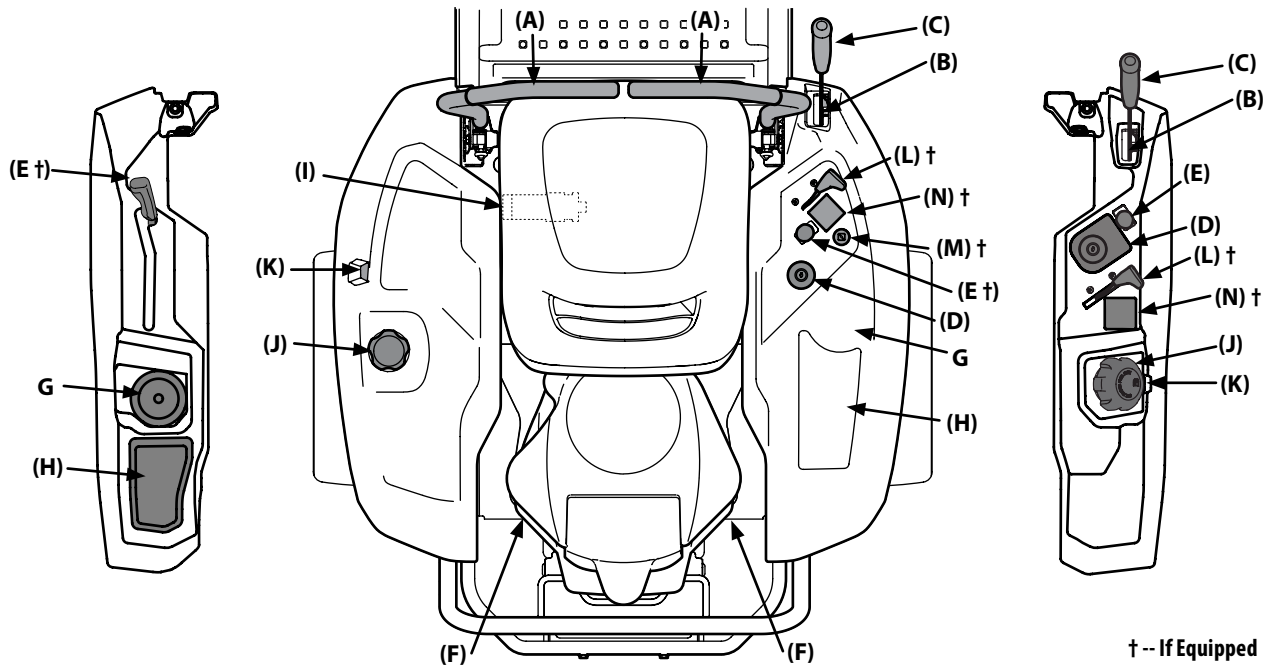


Figure 3-1

**Note:** This Operator's Manual covers several models. Tractor features may vary by model. Not all features in this manual are applicable to all tractor models and the tractor depicted may differ from yours.

**Note:** References to LEFT, RIGHT, FRONT, and REAR indicate that position on the tractor when facing forward while seated in the operator's seat.

**RH & LH Drive Control Levers (A)**

The RH and LH drive control levers are located on each side of the operator's seat. These hinged levers pivot outward to open space to permit the operator to either sit in the tractor seat, or to dismount the tractor. The drive control levers must be fully opened out and in the neutral position to start the tractor engine. When the drive control levers are fully outward, the parking brake is also engaged.

Each drive control lever controls the respective transmission. Consequently, these levers control all of the movements of the tractor. Driving and steering utilizing these control levers is quite different from conventional tractors, and will take some practice to master. Refer to Operation for instructions on using the drive control levers.

**Deck Height Index (B)**

For tractors with an eight (8) notch deck height index, the cutting height ranges from 1" to 4". For tractors with a seven (7) notch deck height index, the cutting height ranges from 1-1/2" to 4". Each notch corresponds to approximately a 1/2" change in the deck height position ranging from 1" or 1-1/2" at the lowest notch to 4" at the highest notch.

**Deck Lift Handle (C)**

The deck lift handle is used to raise and lower the mower deck.

Pull the deck lift handle to the left out of the index notch and push downward to lower the deck, or pull upward to raise the deck. When the desired height is attained, move the deck lift handle to the right until fully in the index notch.

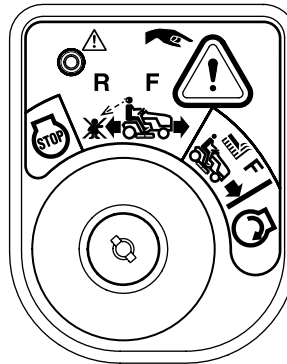
**Ignition Module (D)**

**WARNING**

Never leave a running machine unattended. Always disengage PTO, set parking brake, stop engine and remove key to prevent unintended starting.

**Ignition Module w/ Reverse Caution Mode (If equipped)**

To start the engine, insert the key into the ignition switch and turn clockwise to the START position. Release the key into the NORMAL MOWING MODE position once the engine has fired.



To stop the engine, turn the ignition key counterclockwise to the STOP position.

**CAUTION**

Prior to operating the riding mower, refer to both Safety Interlock Switches and Starting The Engine in the Operation section of this manual for detailed instructions regarding the Ignition Switch Module and operating the riding mower in REVERSE CAUTION MODE.

**Ignition Module (If equipped)**

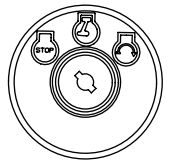
The ignition switch has three positions:

STOP — The engine and electrical system is turned off.

RUN — The riding mower electrical system is energized.

START — The starter motor will turn over the engine. Release the key immediately when the engine starts

**Note:** To prevent accidental starting and/or battery discharge, remove the key from the ignition switch when the riding mower is not in use.

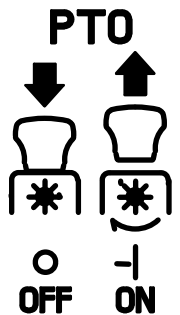


**Power Take-Off (PTO) (E)**

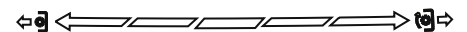
**Electric PTO (If equipped)**

The PTO switch operates the electric PTO clutch mounted on the bottom of the engine crankshaft. Pull the switch knob upward to engage the PTO clutch, or push the knob downward to disengage the clutch.

The PTO switch must be in the "OFF" position when starting the engine.



**Manual PTO (If equipped)**



The PTO/blade engage handle is located on the left pod. Activating the PTO engages power to the cutting deck or other (separately available) attachments. See the Operation section for information and instructions on using the PTO.

## Transmission Bypass Rods (F)

The transmission bypass rods (one for each the RH and LH transmission) are located on the rear of the tractor, just inside each rear wheel.

When engaged, the two rods open a bypass within the hydrostatic transmissions, which allows the tractor to be pushed short distances by hand. Refer to the Assembly & Set-Up section for instructions on using the bypass feature.

### CAUTION

Never tow your tractor. Towing the tractor with the rear wheels on the ground may cause severe damage to the transmissions.

## Cup Holder (G)

The cup holder is located on the top of the console.

## Storage Tray (H)

The storage tray is located to the rear of the console.

## Seat Adjustment Lever (I)

The seat adjustment lever is located under the seat. The seat adjustment lever allows for adjustment forward or backward of the operator's seat. Refer to the Assembly & Set-Up section for instructions on adjusting the seat position.

## Fuel Tank Cap (J)

Turn the fill cap approximately ¼ turn and pull upward to remove. The fuel cap is tethered to the tractor to prevent its loss. Do not attempt to remove the cap from the tractor. Fill tank to ½" below the bottom of the filler neck, allowing some space in the tank for fuel expansion. Do not overfill the tank.

Push the cap downward on the fuel tank fill neck and turn approximately ¼ turn clockwise to tighten. Always re-install the fuel cap tightly onto the fuel tank after removing.

### WARNING

Never fill the fuel tank when the engine is running. If the engine is hot from recently running, allow to cool for several minutes before refueling. Highly flammable gasoline could splash onto the engine and cause a fire.

## Fuel Level Window (K)

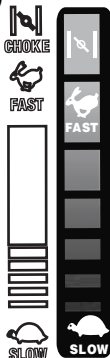
The fuel level window is located outside of the console and shows the level of fuel in the gas tank.

## Throttle/Choke Control Lever or Throttle Control (L)

### Throttle/Choke Control (If equipped)

When set in a given position, a uniform engine speed will be maintained.

- Push the throttle/choke control handle forward to increase the engine speed. The tractor is designed to operate with the throttle/choke control in the fast position (full throttle) when the tractor is being driven and the mower deck is engaged.
- Pull the throttle/choke control handle rearward to decrease the engine speed.
- When starting the engine, push the control handle fully forward into the "CHOKE" position.
- After starting and warming the engine, move the control handle rearward until you feel it move past the choke detent.



## Throttle Control (If equipped)

When set in a given position, a uniform engine speed will be maintained.

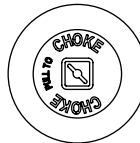
Push the throttle control handle forward to increase the engine speed. The tractor is designed to operate with the throttle control in the fast position (full throttle) when the tractor is being driven and the tractor deck is engaged.

Pull the throttle control handle rearward to decrease the engine speed.



## Choke Control (If equipped) (M)

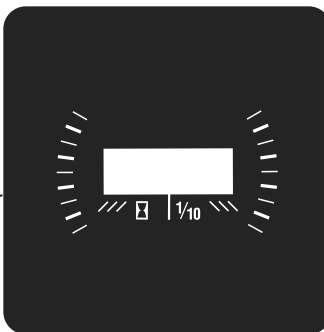
The choke control determines the position of the engine choke. Pull the knob out to choke the engine; push the knob in to open the choke.



## Hour Meter (N †)

### LCD Service Minder & Hour Meter (If so equipped)

When the key is rotated out of the STOP position but not into the START position, the LCD service minder & hour meter will briefly display the battery voltage, followed by the tractor's accumulated hours.



**Note:** Hours of tractor operation are recorded any time the key is rotated out of the STOP position, regardless of whether the engine is started.

The LCD service minder will remind the operator of maintenance intervals for changing the engine oil, air filter service, low engine and low battery warnings.

### Change Oil

The LCD will display the letters "CHG", followed by the letters "OIL", followed by the letters "SOON", then finally followed by the meter's accumulated time. "CHG/OIL/SOON/TIME" will alternate on the display for 7 minutes after the meter reaches 50 hours. This oil service minder interval will occur every 50 hours. Before the interval expires, change the engine oil as instructed in the Engine Operator's Manual

### Low Oil

**Note:** The low oil pressure function only works if the engine is equipped with an oil pressure switch.

The letters "LO" followed by the letters "OIL", then followed by the meter's accumulated time will indicate the engine has low oil pressure. This is common when starting an engine. The indicator will remain active until the engine sufficiently builds pressure after starting. If it remains on with the engine at full speed and after a few minutes of operation, stop the tractor immediately and check the engine oil level as instructed in the Engine Operator's Manual. If the oil is low, add as instructed in the Engine Operator's Manual. If the oil level is correct and the indicator persists, contact an authorized service dealer.

## Low Battery

At startup, the battery voltage is briefly displayed then changes to accumulated hours. The letters "LO" will display followed by the letters "BATT" and then followed by the meter's accumulated time. "LO/BATT/TIME" is displayed on the LCD when the voltage drops below 11.5 volts. When this occurs, the battery is in need of a charge or the engine's charging system is not generating sufficient amperage. Charge the battery as instructed in the Product Care section of this manual or have the charging system checked by your local service dealer.

## Air Filter Service

The letters "CLN" will display, followed by the letters "AIR", followed by "FILT", then followed by the meter's accumulated time. "CLN/AIR/FILT/TIME" will alternate on the display for 7 minutes after the meter reaches 25 hours. This air filter service minder time interval will be every 25 hours. On intervals that are common with oil service, the oil message will be displayed first followed by the air filter message.

## LCD Service Minder & Hour Meter w/ Bluetooth® (If equipped)

Connect your Bluetooth® enabled LCD service minder & hour meter to your smartphone by downloading the App for your Bluetooth® capable Android or iOS device.



The App's automated maintenance dashboard and log will help you keep your machine running at peak performance and protect your investment by tracking total hours across the lifetime of your equipment.

Receive alert notifications when it's time to perform essential maintenance tasks. Your dashboard provides real time monitoring and indicates when it's time for you to check or change the oil, air filter, blades or battery. The App also enables you to locate and contact service centers, access step-by-step instructions to perform routine maintenance and purchase replacement parts directly from your mobile device.

Simply download the app and follow the quick step-by-step instructions on how to sync your mobile device with your equipment.

## Headlights (Not shown) (If equipped)

The headlights are located on the front of the frame. The headlights are ON whenever the ignition key is rotated out of the STOP position. The lamps turn OFF when the ignition key is moved to the STOP position.

## Operation

### General Safety

- RECEIVE INSTRUCTION — Entirely read this operator's manual. Learn to operate this machine SAFELY. Do not risk INJURY or DEATH. Allow only those who have become competent in its usage to operate this tractor.
- Before starting the engine or beginning operation, be familiar with the controls. The operator should be in the operator's seat. The PTO switch must be in the disengaged position and the RH and LH drive control levers moved fully outward in the neutral position activating the parking brake.
- Keep all shields in place. Keep away from moving parts.
- NO RIDERS! Keep all people and pets a safe distance away. Look behind and down to both sides of the tractor before and while backing up.
- DO NOT direct the mower discharge at people.
- Avoid slopes where possible. Never operate on slopes greater than 15°. Slopes with a greater incline present dangerous operating conditions. Tractors can be rolled over.
- Before leaving the operator's seat: Shut off the PTO, move the RH and LH drive control levers fully outward in the neutral position, shut off the engine and remove the ignition key. Wait for all movement to stop before servicing or cleaning.
- Operate the drive control levers smoothly and avoid any sudden movements of the drive control levers when starting and stopping. Keep a firm grip on the drive control levers.
- Be careful when operating near roadways. Stop the tractor motion and wait for vehicles to pass before operating along the road.
- Do not operate the tractor with the mower deck removed. Removal of the deck will change the balance of the tractor, and could contribute to a tractor rollover.
- Avoid operation on traction surfaces that are unstable; use extreme caution if the surface is slippery.
- Slow down before turning and come to a complete stop before any zero turn maneuver.
- Do not stop the tractor or park the tractor over combustible materials such as dry grass, leaves, debris, etc.
- Do not fill the fuel tank when the engine is running or while the engine is hot. Allow the engine several minutes to cool before refueling. Tighten the fuel cap securely.

### Before Operating Your Tractor

- Before you operate the tractor, study this manual carefully to familiarize yourself with the operation of all the instruments and controls. It has been prepared to help you operate and maintain your tractor efficiently.
  - This engine is certified to operate only on clean, fresh, unleaded regular gasoline. For best results, fill the fuel tank with only clean, fresh, unleaded gasoline with a pump sticker octane rating of 87 or higher.
  - Unleaded gasoline is recommended because it leaves less combustion chamber deposits and reduces harmful exhaust emissions. Leaded gasoline is not recommended and must not be used where exhaust emissions are regulated.
- Note:** Purchase gasoline in small quantities. Do not use gasoline left over from the previous season, to minimize gum deposits in the fuel system.
- Gasohol (up to 10% ethyl alcohol, 90% unleaded gasoline by volume) is an approved fuel. Other gasoline/alcohol blends are not approved.

- Methyl Tertiary Butyl Ether (MTBE) and unleaded gasoline blends (up to a maximum of 15% MTBE by volume) are approved fuels. Other gasoline/ether blends are not approved.
- Check the engine oil level.
- Clean the air cleaner element if necessary.
- Check the tire inflation pressures.
- Adjust the seat for operator's maximum comfort, visibility and for maintaining complete control of the tractor.

### Safety Interlock System

This tractor is equipped with a safety interlock system for the protection of the operator. If the interlock system should ever malfunction, do not operate the tractor. Contact an authorized service dealer.

- The safety interlock system prevents the engine from cranking or starting unless the parking brake is engaged, and the PTO lever is in the disengaged (OFF) position.
- The engine will automatically shut OFF if the operator leaves the seat before engaging the parking brake.
- The engine will automatically shut OFF if the operator leaves the tractor's seat with the PTO lever in the engaged (ON) position, regardless of whether the parking brake is engaged.
- With the key in the NORMAL MOWING MODE/RUN position, the PTO will automatically shut OFF if the PTO lever is moved into the engaged (ON) position with the drive control levers in position for reverse travel.

#### ⚠ WARNING

Do not operate the riding mower if the safety interlock system is malfunctioning. This system was designed for your safety and protection.

### Starting the Engine

#### ⚠ WARNING

For personal safety, the operator must be sitting in the tractor seat when starting the engine.

- Operator must be sitting in the tractor seat with the drive control levers fully outward in neutral activating the parking brake. See Figure 3-2.

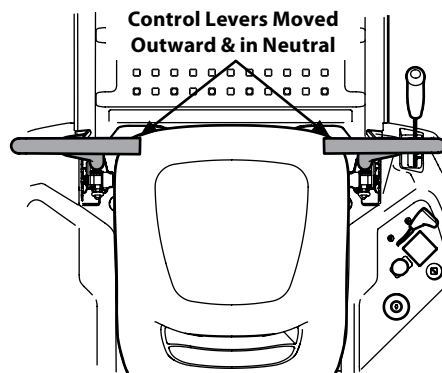


Figure 3-2

- Make certain the PTO is in the "OFF" position. Move the choke control or throttle/choke control into the full choke position. Move the throttle control to midway between its slow and fast positions on models with a separate choke control.  
**Note:** If the engine is warmed up, it may not be necessary to choke the engine.
- Turn the key clockwise to the START position. After the engine starts, release the key. It will return to the NORMAL MOWING/RUN position.

#### ⚠ CAUTION

Do NOT hold the key in the START position for longer than ten seconds at a time. Doing so may cause damage to your engine's electric starter.

- As the engine warms up, gradually pull the throttle/choke control lever rearward past the choke detent position or slowly disengage the choke on models with a separate choke. Do not use the choke position to enrich the fuel mixture, except as necessary to start the engine.
- Allow the engine to run for a few minutes at mid-throttle before putting the engine under load.
- Observe the hour meter/indicator panel. If the battery indicator light or oil pressure light come on, immediately stop the engine. Have the tractor inspected by your authorized service dealer.

### Cold Weather Starting

When starting the engine at temperatures near or below freezing, ensure the correct viscosity motor oil is used in the engine and the battery is fully charged. Start the engine as follows:

- Be sure the battery is in good condition. A warm battery has much more starting capacity than a cold battery.
- Use fresh winter grade fuel. Winter grade gasoline has higher volatility to improve starting. Do not use gasoline left over from summer.
- Follow the previous instruction for Starting the Engine.

### Using Jumper Cables To Start Engine

#### ⚠ WARNING

Batteries contain sulfuric acid and produce explosive gasses. Make certain the area is well ventilated, wear gloves and eye protection, and avoid sparks or flames near the battery.

If the battery charge is not sufficient to crank the engine, recharge the battery. If a battery charger is unavailable and the tractor must be started, the aid of a booster battery will be necessary. Connect the booster battery as follows:

- Connect the end of one cable to the disabled tractor battery's positive terminal; then connect the other end of that cable to the booster battery's positive terminal.
- Connect one end of the other cable to the booster battery's negative terminal; then connect the other end of that cable to the frame of the disabled tractor, as far from the battery as possible.
- Start the disabled tractor following the normal starting instructions previously provided; then disconnect the jumper cables in the exact reverse order of their connection.

4. Have the tractor's electrical system checked and repaired as soon as possible to eliminate the need for jump starting.

### Stopping the Engine

1. Disengage the PTO.
2. Move the RH and LH drive control levers fully outward in the neutral position activating the parking brake.
3. Move the throttle control to midway between the slow and fast positions.
4. Turn the key to the STOP position and remove the key from the ignition module.

**Note:** Always remove the key from the ignition module to prevent accidental starting or battery discharge if the equipment is left unattended.

### Practice Operation (Initial Use)

Operating a zero-turn tractor is not like operating a conventional type riding tractor. Although and because a zero turn tractor is more maneuverable, getting used to operating the drive control levers takes some practice.

It is strongly recommended that you locate a reasonably large, level and open "practice area" where there are no obstructions, pedestrians, or animals. You should practice operating the tractor for a minimum of 30 minutes.

Carefully move (or have moved) the tractor to the practice area. When performing the practice session, the PTO should not be engaged. While practicing, operate the tractor at approximately 1/2-3/4 throttle and at less than full speed in both forward and reverse.

Carefully practice maneuvering the tractor using the instructions in the following section "Driving the Tractor." Practice until you are confident that you can safely operate the tractor.

### Driving the Tractor

#### ⚠ WARNING

Avoid sudden starts, excessive speed and sudden stops.

1. Adjust the operator's seat to the most comfortable position that allows you to operate the controls. See seat adjustment in the Assembly & Set-Up section.
2. Move the RH and LH drive control levers inward in the neutral position which also disengages the parking brake. Refer to Figure 3-3.

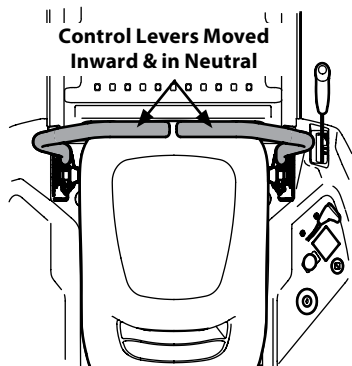


Figure 3-3

**Note:** Lap bars must be moved fully inward before pushing forward or backward to ensure brakes are fully disengaged. Parking the tractor on uneven terrain or a hill may cause the brakes to bind and not release fully. In this case the tractor will not drive when the lap bars are moved. If this happens, move the lap bar in the opposite direction slightly to take the load off the brakes and allow them to release fully.

**Note:** If the control levers are not even in the neutral position, refer to Maintenance & Adjustments for instructions to adjust the levers so that they are even.

3. Move the throttle to the full throttle position.

**Note:** Although the tractor's engine is designed to run at full throttle, when performing a practice session the tractor must be operated at less than full throttle. This only applies to practice.

#### ⚠ WARNING

Always maintain a firm grip on the control levers. DO NOT release the control levers to slow or stop the tractor; move levers to neutral position using your hands.

4. To drive the tractor, firmly grasp the respective drive control levers with your right and left hands and continue with Driving the Tractor Forward in the next section.

### Driving the Tractor Forward

#### ⚠ WARNING

Keep all movement of the drive control levers slow and smooth. Abrupt movement of the control levers can affect the stability of the tractor and could cause the tractor to flip over, which may result in serious injury or death to the operator.

1. Slowly and evenly move both drive control levers forward. The tractor will start to move forward. See Figure 3-4.

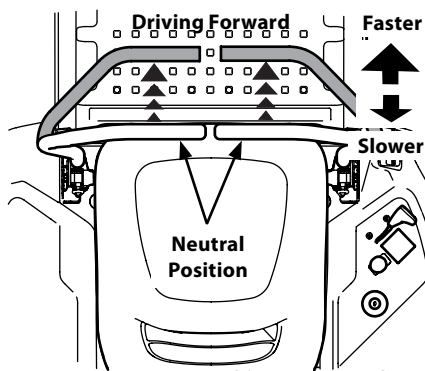


Figure 3-4

2. As the drive control levers are pushed farther forward the speed of the tractor will increase.
3. To slow the tractor move the drive controls lever rearward to attain the desired speed, or move the drive control levers to the neutral position to stop the tractor.

#### ⚠ WARNING

Always maintain your grasp on the drive control levers. Do not release the levers to slow the tractor or to return to neutral.

### Turning the Tractor While Driving Forward

#### ⚠ WARNING

When reversing the direction of travel, we recommend performing gradual 'U' turns where possible. Sharper turns increase the possibility of turf defacement, and could affect control of the tractor. ALWAYS slow the tractor before making sharp turns.

To turn the tractor while driving forward, move the drive control levers as necessary so that one drive control lever is rearward of the other. The tractor will turn in the direction of the rearward drive control lever.

1. To turn to the left, move the left drive control lever rearward of the right drive control lever. See Figure 3-5.

#### Forward Left Turn

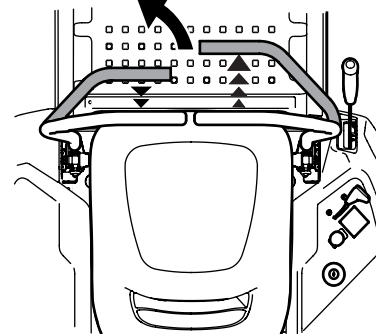


Figure 3-5

2. To turn to the right, move the right drive control lever rearward of the left lever. See Figure 3-6.

#### Forward Right Turn

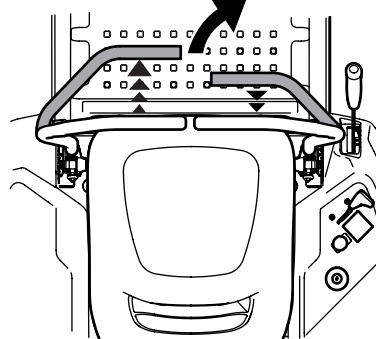


Figure 3-6

3. The greater the distance between the two levers, the sharper the tractor will turn.
4. To execute a "pivot turn," move the turn side drive control lever to the neutral position, while moving the other control lever forward.

**Note:** Making a "pivot turn" on grass will greatly increase the potential for defacement of the turf.

## Driving the Tractor In Reverse

### ⚠ WARNING

Always look behind and down on both sides of the tractor before backing up. Always look behind while traveling in the reverse direction.

1. Slowly and evenly move both drive control levers rearward. The tractor will start to move in the reverse direction. See Figure 3-7.

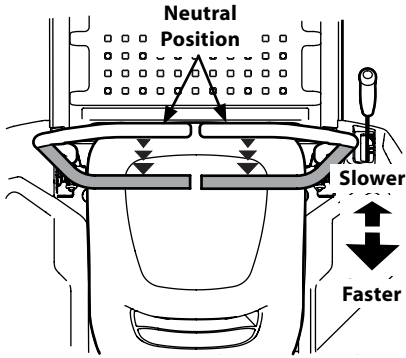


Figure 3-7

2. As the drive control levers are pushed farther rearward the speed of the tractor will increase.
3. To slow the tractor move the drive control levers forward to attain the desired speed, or move the drive control levers to the neutral position to stop the tractor.

## Turning While Driving Rearward

To turn the tractor while driving rearward, move the drive control levers as necessary so that one drive control lever is forward of the other. The tractor will turn in the direction of the forward drive control lever.

1. To turn to the left while traveling in reverse, move the left drive control lever forward of the right drive control lever. See Figure 3-8.

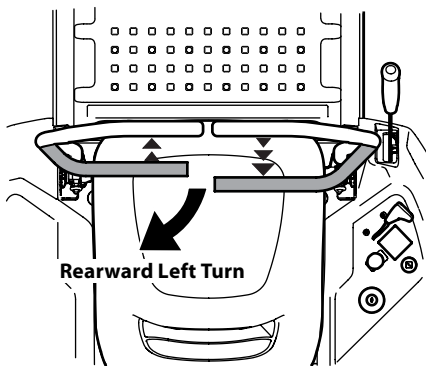


Figure 3-8

2. To turn to the right while traveling in reverse, move the right drive control lever forward of the left drive control lever. See Figure 3-9.

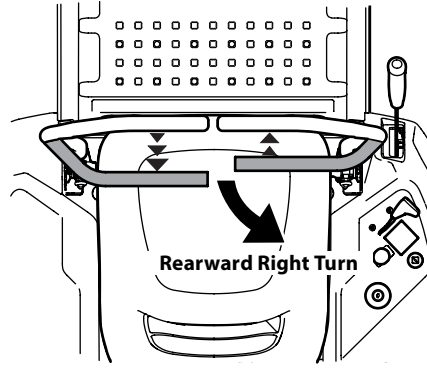



Figure 3-9

3. The greater the distance between the two drive control levers, the sharper the tractor will turn.
4. To execute a "pivot turn," move the turn side drive control lever to the neutral position, while moving the other drive control lever rearward.


**Note:** Making a "pivot turn" on grass will greatly increase the potential for defacement of the turf.

## Reverse Caution Mode (If equipped)

The REVERSE CAUTION MODE  position of the ignition module allows the tractor to be operated in reverse with the blades (PTO) engaged.

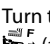
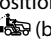
**Note:** Mowing in reverse is not recommended.

### ⚠ WARNING

Use extreme caution while operating the tractor in the REVERSE CAUTION MODE . Always look down and behind before and while backing. Do not operate the tractor when children or others are around. Stop the tractor immediately if someone enters the area.

To use the REVERSE CAUTION MODE :

**Note:** The operator MUST be seated in the tractor seat.

1. Start the engine as previously instructed.
2. Turn the key from the NORMAL MOWING  (a) position to the REVERSE CAUTION MODE  (b) position of the ignition module. See Figure 3-10.

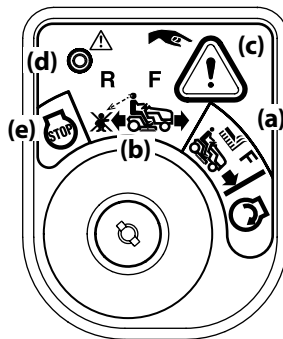



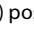



Figure 3-10

3. Press the REVERSE PUSH BUTTON  (c) at the top, right corner of the ignition module. The red indicator light (d) at the top, left corner of the ignition module will be ON while activated. See Figure 3-10.
4. Once activated (indicator light ON), the tractor can be driven in reverse with the cutting blades (PTO) engaged.
5. Always look down and behind before and while backing to make sure no children are around. After resuming forward motion, return key to the NORMAL MOWING  (a) position.
6. The REVERSE CAUTION MODE  will remain activated until:
  - a. The key is placed in either the NORMAL MOWING  (a) position or STOP  (e) position or
  - b. The operator leaves the seat.

## Executing a Zero Turn

### ⚠ WARNING

When executing a zero turn, the tractor MUST BE STOPPED. Executing a zero turn while the tractor is moving can significantly reduce your control of the tractor and will cause severe turf defacement.

1. Stop the forward or reverse motion of the tractor by moving the two drive control levers to neutral.
2. To turn clockwise, move the left drive control lever forward while simultaneously moving the right drive control lever rearward. See Figure 3-11.

### Clockwise Zero Turn

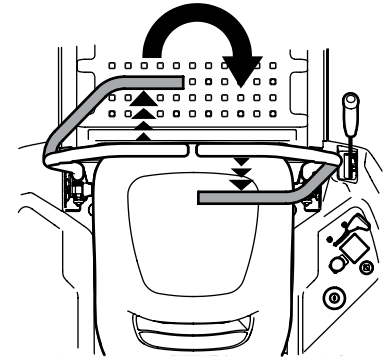


Figure 3-11

3. To turn counterclockwise, move the right drive control lever forward while simultaneously moving the left drive control lever rearward. See Figure 3-12.

### Counterclockwise Zero Turn

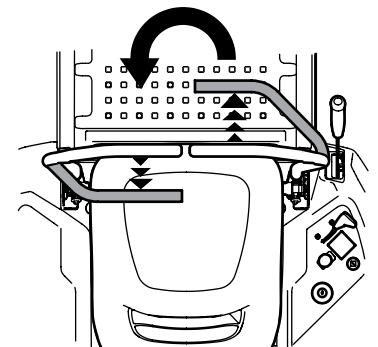


Figure 3-12

## Stopping the Tractor

1. Move both drive control levers to the neutral position to stop the motion of the tractor.
2. Push the PTO downward to the OFF position.
3. Use the deck lift handle to raise the deck to its highest position.
4. If dismantling the tractor, move the drive control levers fully outward in the neutral position which also engages the parking brake, move the throttle to the FAST position, turn the key to STOP and remove the from the ignition module.

### ⚠ WARNING

Do not leave the seat of the tractor without disengaging the PTO and moving drive control levers fully outward in the neutral/parking brake engaged position. If leaving the tractor unattended, turn the ignition key off and remove key.

## Driving On Slopes

Refer to the slope gauge in the Safe Operation Practices section to help determine slopes where you may not operate safely.

### ⚠ WARNING

Do not operate on inclines with a slope in excess of 15 degrees (a rise of approximately 2-½ feet every 10 feet). The tractor could overturn and cause serious injury.

1. Always drive across slopes, never up and down. Control the speed and direction of the tractor using primarily the drive control lever on the downhill side of the tractor, with the uphill drive control lever remaining essentially in a fixed position.
2. Avoid turning downhill if possible. Start at the bottom of a slope and work upward. Always slow down before turning.
3. Use extra care and go slowly when turning downhill.

## Engaging the PTO

### Electric PTO tractors

Engaging the PTO transfers power to the cutting deck or other (separately available) attachments. To engage the PTO:

1. Move the throttle to the FAST position.
2. Pull the PTO switch (a) up/out into the engaged (ON) position. See Figure 3-13.

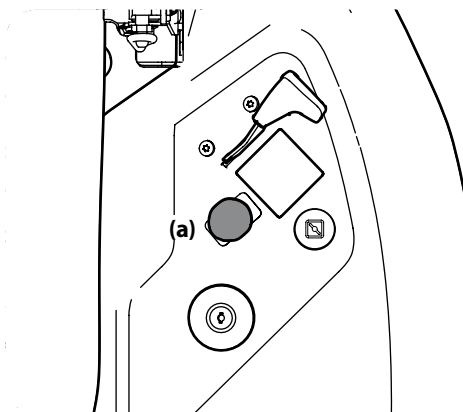


Figure 3-13

**Note:** When operating the tractor be certain that the throttle is always in the FAST position. Operating with the throttle at less than full throttle may lead to premature battery wear and a poor quality cut.

3. To disengage the PTO, push the PTO switch (a) down/in to the disengaged (OFF) position.

### Manual PTO tractors

Engaging the PTO transfers power to the cutting deck or other (separately available) attachments. To engage the PTO:

1. Move the throttle to the FAST position.
2. Push the PTO handle (a) forward and to right locking position to the engaged (ON) position. See Figure 3-14.

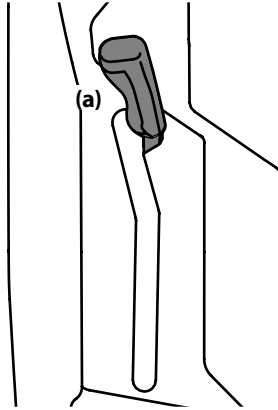


Figure 3-14

**Note:** When operating the tractor be certain that the throttle is always in the FAST position. Operating with the throttle at less than full throttle may lead to premature battery wear and a poor quality cut.

3. To disengage the PTO, pull the PTO handle (a) out of the locking position and then rearward into the disengaged (OFF) position.

## Mowing

### ⚠ WARNING

To help avoid blade contact or a thrown object injury, keep bystanders, helpers, children and pets at least 75 feet from the machine while it is in operation. Stop machine if anyone enters the area.

### ⚠ WARNING

Make certain the area to be mowed is free of debris, sticks, stones, wire or other objects that can be thrown by the rotating blades.

**Note:** Do not engage the mower deck when lowered in grass. Premature wear and possible failure of the "V" belt and PTO clutch will result. Fully raise the deck or move to a non grassy area before engaging the mower deck.

- Mow across slopes, not up and down. If mowing a slope, start at bottom and work upward to ensure turns are made uphill.
- Do not mow at high ground speed, especially if a mulch kit or grass collector is installed.
- Do not cut the grass too short. Short grass is prone to weed growth and yellows quickly in dry weather.
- Always operate the tractor with the throttle in the FAST position while mowing.
- On the first pass pick a point on the opposite side of the area to be mowed.

- Engage the PTO and move the throttle control or throttle/choke control to the FAST position.
  - Lower the mower deck to the desired height setting using the lift handle.
  - For best results it is recommended that the first two laps be cut with the discharge thrown towards the center. After the first two laps, reverse the direction to throw the discharge to the outside for the balance of cutting. This will give a better appearance to the lawn.
  - Slowly and evenly push the RH and LH drive control levers forward to move the tractor forward, and keep the tractor headed directly toward the alignment point.
- Note:** The speed of the tractor will affect the quality of the mower cut. Mowing at full speed will adversely affect the cut quality. Control the ground speed with the control levers.
- Do NOT attempt to mow heavy brush and weeds or extremely tall grass. Your tractor is designed to mow lawns, NOT clear brush.
  - Keep the blades sharp and replace the blades when worn.
  - When approaching the other end of the strip, slow down or stop before turning. A U-turn is recommended unless a pivot or zero turn is required.
  - Align the mower with an edge of the mowed strip and overlap approximately 3".
  - Direct the tractor on each subsequent strip to align with a previously cut strip.
  - To prevent rutting or grooving of the turf, if possible, change the direction that the strips are mowed by approximately 45° for the next and each subsequent mowing.

### ⚠ WARNING

Be careful when crossing gravel paths or driveways. Disengage the PTO and raise the deck to the highest position before crossing.

**Note:** When stopping the tractor for any reason while on a grass surface, always:

- Place the drive control levers in the neutral/parking brake engaged position,
- Shut engine off and remove the key.
- Doing so will minimize the possibility of having your lawn "browned" by hot exhaust from your tractor's running engine.

## Checking the Safety Interlock Circuits

Periodically check the safety interlock circuits to ensure they are working properly. If a safety circuit is not working as designed, contact your Service dealer to have the tractor inspected. DO NOT operate the tractor if any safety circuit is not functioning properly. To check the safety circuits, proceed as follows:

1. Pull the PTO upward to the engaged position. Momentarily turn the ignition switch to the START position; the engine should not crank.
2. Move both control levers fully inward in the neutral position; then lift upward from the operator's seat. The engine should stop.
3. With both control levers fully outward in the neutral/parking brake engaged position, engage the PTO. Lift upward from the operator's seat; the engine should stop.
4. Start the tractor and move the control levers inward to the neutral operating position. Engage the PTO and move both control lever slowly into the slow reverse position with the key in the NORMAL MOWING/RUN; the PTO should disengage and the mower deck should stop.

## Maintenance Schedule

	Before Each use	After First 5 Hours	Every 10 Hours	Every 25 Hours	Every 50 Hours	Every 100 Hours	Prior to Storing	See Engine Manual
Check Engine Oil Level	✓							
Check & Clean Transmission Cooling Slots	✓						✓	
Check Air Filter for Dirty, Loose or Damaged Parts	✓							
Clean Battery Terminals			✓				✓	
Grease All Lubrication Points			✓				✓	
Check Intake Screen/Clean as Needed			✓				✓	
Check Blades/Sharpen or Replace as Needed			✓				✓	
Check Tire Pressure			✓				✓	
Check/Clean Underside of Deck			✓					
Inspect & Lube Deck Wheels				✓			✓	
Check Deck Level/Pitch				✓			✓	
Check Belts & Pulleys for Damage/Wear					✓			
Check That All Hardware is in Place & Secure						✓		
Check Spark Plug Condition & Gap						✓	✓	✓
Engine Break-In Oil Change		✓						✓
Change Engine Oil					✓		✓	✓
Replace Oil Filter					✓		✓	✓
Clean or Change Air Filter					✓			✓
Replace Fuel Filter					✓			✓
Have Valve Lash Checked & Adjusted *								✓

\* -- Have this item performed by an authorized service dealer

**Note:** This Operator's Manual covers several models. Tractor features may vary by model. Not all features in this manual are applicable to all tractor models and the tractor depicted may differ from yours.

## Troubleshooting

### Excessive vibration

- Cutting blade loose or unbalanced.
  - Tighten blade and spindle.
- Damaged or bent cutting blade.
  - Replace blade.

### Uneven cut

- Deck not leveled properly.
  - Perform side-to-side deck adjustment.
- Dull blade.
  - Sharpen or replace blade.
- Uneven tire pressure.
  - Check tire pressure in all four tires.

### Tractor will not mulch grass (If equipped w/ mulching kit)

- Engine speed too low.
  - Place throttle in FAST (rabbit) position.
- Wet grass.
  - Do not mulch when grass is wet.
- Excessively high grass.
  - Mow once at a high cutting height, then mow again at desired height or make a narrower cutting swath.
- Dull blade.
  - Sharpen or replace blade.

## Maintenance

### ⚠ WARNING

Before performing any maintenance or repairs, disengage the PTO, move the drive control levers fully outward in the neutral position engaging the parking brake, stop the engine and remove the key to prevent unintended starting.

### Engine

Refer to the Engine Operator's Manual for all engine maintenance procedures and instructions.

### Changing the Engine Oil

### ⚠ WARNING

If the engine has been recently run, the engine, muffler and surrounding metal surfaces will be hot and can cause burns to the skin. Exercise caution to avoid burns.

**NOTE:** The oil filter should be changed at every oil change interval. To complete an oil change, proceed as follows:

- Run the engine for a short time to warm the engine oil. The oil will flow more freely and carry away more impurities. Use care to avoid burns from hot oil.
- Locate the oil drain hose on the side of the engine.

- Place an appropriate oil collection container with at least a 2.5 quart capacity below the opening of the oil drain tube, to collect the used oil. Remove the oil fill cap/dipstick from the oil fill tube.
- Your engine is equipped with either a twist-and-pull oil drain (see Figure 4-1 and go to Step 5.) or a removable oil drain hose plug (see Figure 4-2 and go to Step 6.) Follow the applicable instructions for your tractor.

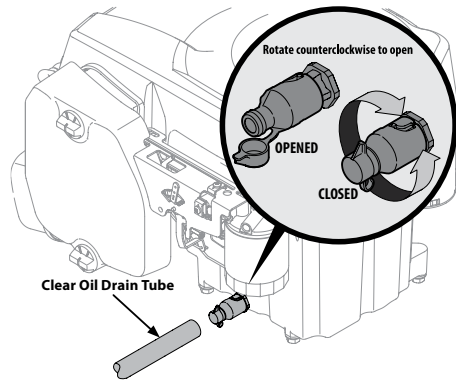


Figure 4-1

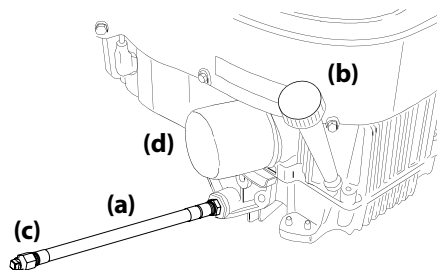


Figure 4-2

- Twist-and-pull oil drain (refer to Figure 4-1):
  - Pop open the protective cap on the end of the oil drain valve to expose the drain port.
  - Remove the oil fill cap/dipstick from the oil fill tube.
  - Push the clear oil drain tube (packed with this manual) onto the oil drain port. Route the opposite end of the tube into an appropriate oil collection container with at least a 2.5 quart capacity to collect the used oil. Some models are equipped with a slot (a) in the rear left side of the frame to route the oil drain through. See Figure 4-3.

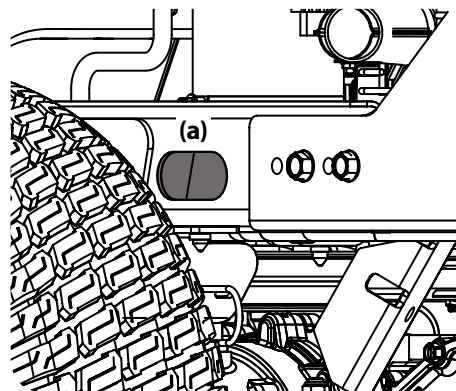


Figure 4-3

- The engine is equipped with a twist-and-pull drain port. Turn the oil drain valve ¼-turn counter-clockwise, then pull outward to begin draining oil. After the oil has finished draining, push the end of the oil drain valve back in and turn ¼-turn clockwise to secure it back in place. Re-cap the end of the oil drain valve to keep debris from entering the drain port.

- Skip ahead to Step 7.
- Removable oil drain hose plug (See Figure 4-2):
    - While holding the free end of the oil drain hose (a) over the oil collection container, unscrew the square head hose plug (c) from the end of the oil drain hose (a). See Figure 4-2. Drain the engine oil into the collection container.
    - After draining the oil, wipe any residual oil from the oil drain hose (a). Thread the square head hose plug (c) into the oil drain hose (b) fitting and fully tighten the square head hose plug (c).
    - Continue with Step 7.
  - Replace the oil filter, and refill the engine with new oil as instructed in the Engine Operator's Manual.
  - To refill the oil, re-install the plug at the end of the tube and refer to the Engine Operator's Manual for refilling instructions, oil type and amount.

**NOTE:** Maintenance, repair, or replacement of the emission control devices and systems which are being done at owner's expense may be performed by any engine repair establishment or individual. **Warranty repairs must be performed by an authorized dealer**

### Cleaning the Transmission Cooling Slots

Keep both sides of transmission cooling slots on the frame between the engine and the seat box clear of grass clippings and leaves. See Figure 4-4.

### ⚠ WARNING

If the engine has been recently run, the engine, muffler and surrounding metal surfaces will be hot and can cause burns to the skin. Exercise caution to avoid burns.

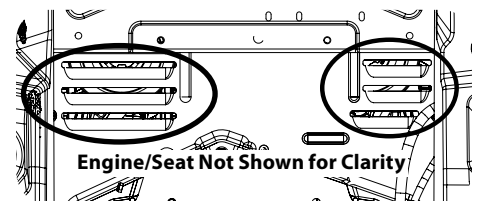


Figure 4-4



## Lubrication

### ⚠ WARNING

Before lubricating, repairing, or inspecting, always disengage PTO, set parking brake, stop engine and remove key to prevent unintended starting.

- Using a pressure lubricating gun, lubricate the front castor wheel axles with grease after every 10 hours of service.
- Periodically lubricate all other pivot points with a quality lubricating oil.

## Using the Deck Wash System

### ⚠ WARNING

When using the deck wash system, never engage the deck from any position other than the operator's seat of the tractor. Do not use an assistant or engage deck in the presence of any bystanders.

1. Attach the nozzle adapter to a standard garden hose connected to a water supply.
2. Move the tractor to an area within reach of the hose where the dispersal of wet grass clippings is acceptable to you. Disengage the PTO, engage the parking brake and stop the engine.
3. Pull back the lock collar (a) of the nozzle adapter (b) and push the nozzle adapter (b) onto one of the deck wash nozzles (c) at either end of the tractor deck. Release the lock collar (a) to lock the nozzle adapter (b) on the deck wash nozzle (c). See Figure 4-5.

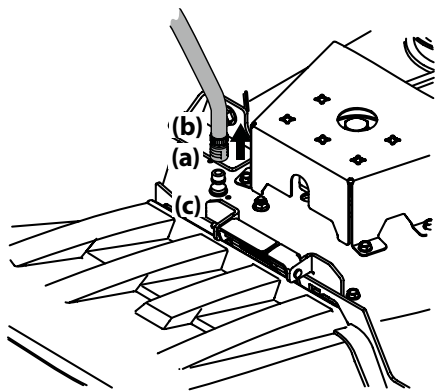


Figure 4-5

4. Turn on the water supply.
5. From the tractor operator's seat, start the engine and engage the PTO. Allow to run as needed. Disengage the PTO and stop the engine.
6. Turn off the water supply.
7. Pull back the lock collar (a) of the nozzle adapter (b) to disconnect the nozzle adapter (b) from the deck wash nozzle (c).
8. Repeat the previous steps to clean the deck using the deck wash nozzle (c) at the other end of the deck.

## Tires

Check the tire air pressure after every 50 hours of operation or weekly. Keep the tires inflated to the recommended pressures. Improper inflation will shorten the tire service life. See the tire side wall for proper inflation pressures. Observe the following guidelines:

- Do not inflate a tire above the maximum pressure shown on the sidewall of the tire.

- Do not reinflate a tire that has been run flat or seriously under inflated. Have it inspected and serviced by a qualified tire mechanic.

## General Battery Information

### ⚠ WARNING

Should battery acid accidentally splatter into the eyes or onto the skin, rinse the affected area immediately with clean cold water. If there is any further discomfort, seek prompt medical attention.

If acid spills on clothing, first dilute it with clean water, then neutralize with a solution of ammonia/water or baking soda/water.

NEVER connect (or disconnect) battery charger clips to the battery while the charger is turned on, as it can cause sparks.

Keep all sources of ignition (cigarettes, matches, lighters) away from the battery. The gas generated during charging can be combustible.

As a further precaution, only charge the battery in a well ventilated area.

Always shield eyes and protect skin and clothing when working near batteries.

Batteries contain sulfuric acid and may emit explosive gases. Use extreme caution when handling batteries. Keep batteries out of the reach of children.

## Battery Maintenance

- The battery is filled with battery acid and then sealed at the factory. However, even a "maintenance free" battery requires some maintenance to ensure its proper life cycle.
- Spray the terminals and exposed wire with a battery terminal sealer, or coat the terminals with a thin coat of grease or petroleum jelly, to protect against corrosion.
- Always keep the battery cables and terminals clean and free of corrosion.
- Avoid tipping. Even a sealed battery will leak electrolyte when tipped.

### ⚠ WARNING

Batteries contain sulfuric acid and may emit explosive gases. Use extreme caution when handling batteries. Keep batteries out of the reach of children.

## Battery Storage

1. When storing the tractor for extended periods, disconnect the negative battery cable. It is not necessary to remove the battery.
2. All batteries discharge during storage. Keep the exterior of the battery clean, especially the top. A dirty battery will discharge more rapidly.
3. The battery must be stored with a full charge. A discharged battery can freeze sooner than a charged battery. A fully charged battery will store longer in cold temperatures than hot.
4. Recharge the battery before returning to service. Although the tractor may start, the engine charging system may not fully recharge the battery.

## Hydrostatic Transmission

The hydrostatic transmission is sealed at the factory and is maintenance-free. The fluid level cannot be checked and the fluid cannot be changed.

## Tractor Storage

If your tractor is not going to be operated for an extended period of time (thirty days to approximately six months), the tractor should be prepared for storage. Store the tractor in a dry and protected location. If stored outside, cover the tractor (including the tires) to protect it from the elements. The procedures outlined below should be performed whenever the tractor is placed in storage.

1. Change the engine oil and filter following the instructions provided in the engine manual packed with this manual.

### ⚠ WARNING

Never store the tractor with fuel in the tank indoors or in poorly ventilated enclosures, where fuel fumes may reach an open flame, spark or pilot light as on a furnace, water heater, clothes dryer, etc.

2. If storing the tractor for 30 days or more:
  - a. To prevent gum deposits from forming inside the engine's carburetor and causing possible malfunction of the engine, the fuel system must be either completely emptied, or the gasoline must be treated with a stabilizer to prevent deterioration.

### ⚠ WARNING

Fuel left in the fuel tank deteriorates and will cause serious starting problems.

- b. Using a fuel stabilizer for storage between 30 and 90 days:
    - Read the product manufacturer's instructions and recommendations.
    - Add to clean, fresh gasoline the correct amount of stabilizer for the capacity (approximately 3 gallons) of the fuel system.
    - Fill the fuel tank with treated fuel and run the engine for 2-3 minutes to get stabilized fuel into the carburetor.
  - c. Emptying the fuel system for storage of more than 90 days:
    - Prior to putting the tractor in storage, monitor fuel consumption with the goal of running the fuel tank empty.
    - Run the engine until it begins to stall. Use the choke to keep the engine running until all fuel in the carburetor has been exhausted.
    - Referring to the engine manual, drain the fuel from the carburetor bowl.
3. Clean the engine and the entire tractor thoroughly.
  4. Fully charge the battery, then disconnect the negative cable at the battery to prevent possible discharge. Recharge the battery periodically when in storage.

**Note:** Remove the battery if exposed to prolonged periods of sub-freezing temperatures. Store in a cool, dry location where temperatures are above freezing.

- Lubricate all lubrication points.

**Note:** Using a pressure washer or garden hose is not recommended for cleaning your tractor. It may cause damage to electrical components, spindles, pulleys, bearings or the engine. The use of water will result in shortened life and reduce serviceability.

### Removing The Tractor From Storage

- Check the engine oil.
- Fully charge the battery and inflate the tires to the recommended pressure.
- Fill the fuel tank with clean, fresh gasoline.
- Start the engine and allow to idle for a few minutes to ensure engine is operating properly.
- Drive the tractor without a load to make certain all the tractor systems are functioning properly.

### Adjustments

#### ▲ WARNING

Shut the engine off, remove the ignition key and engage the parking brake before making adjustments. Protect your hands by using heavy gloves when handling the blades.

#### Adjusting RH & LH Drive Control Levers

The RH and LH drive control levers can be adjusted up or down and forward or backward for the comfort of the operator. The drive control levers can be placed in either of two height positions, and/or can be moved forward or rearward within the range of the slot in each lower arm.

To adjust the drive control lever height, proceed as follows:

- Remove the upper hex screw (a) and flat washer (b) securing the drive control lever (c) to the lower arm (d).
- While supporting the drive control lever to keep it from falling, remove the hex screw (e) and flat washer (f) from the bottom of the drive control lever (c) and lower arm (d). Refer to Figure 4-6.

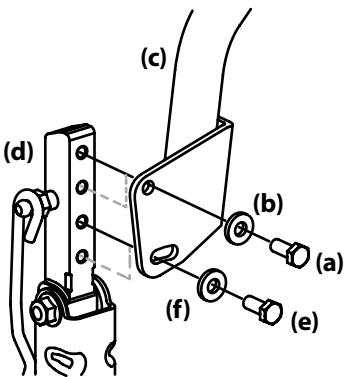


Figure 4-6

- Reposition the drive control lever to align with the other set of holes in the lower arm and insert the hex screw through the flat washer and into the lower arm. Tighten the hex screw until snug.
- Insert the hex screw through the flat washer and through the control lever slot and the lower arm. Do not tighten now.

- If you are going to adjust the control levers forward or rearward, proceed to the next step. If not, fully tighten the hex screw.

To adjust the drive control levers forward/rearward, proceed as follows:

- If not already loose, loosen the hex screw (e) and rotate the control lever either forward or rearward to the desired position. See Figure 4-6.

**Note:** If the control lever is too tight to move, slightly loosen the hex screw (a) at the top of the control lever.

- Tighten the hex screw (e) to fix the control lever in the adjusted position

Repeat the above procedure to adjust the other control lever into the same position. Adjust so that both levers are even with each other when in the neutral position.

#### Deck Leveling

**Note:** Check the tractor's tire pressure before performing any deck leveling adjustments. Refer to Tires for information regarding tire pressure.

#### ▲ WARNING

Shut the engine off, remove the key and engage the parking brake before making adjustments. Protect your hands by using heavy gloves when handling the blades.

#### Leveling the Deck (Side-to-Side)

**Note:** Check the tractor's tire pressure before performing any deck leveling adjustments. Refer to Tires for information regarding tire pressure. Always level the deck side-to-side before front to rear.

If the cutting deck appears to be mowing unevenly, a side-to-side adjustment can be performed. Adjust if necessary as follows:

- With the tractor parked on a firm, level surface, place the deck lift handle in a middle mowing position and rotate both outside blades so that they are perpendicular with the tractor.
- Measure the distance from the outside of the left blade tip to the ground and the distance from the outside of the right blade tip to the ground. Both measurements taken should be equal. If they're not, proceed to the next step.
- Loosen, but do NOT remove, the hex bolt (a) on the rear left deck hanger link. See Figure 4-7.

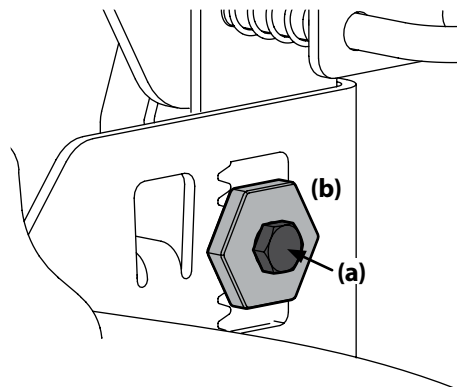


Figure 4-7

**Note:** The rear right deck hanger link is not adjustable and is used to help adjust the other hanger links.

- Using a wrench, raise or lower the left side of the deck by turning the adjustment gear (b). See Figure 4-7.
- The deck is properly leveled when both blade tip measurements are equal. Retighten the hex bolt on the front left deck hanger bracket when proper adjustment is achieved.

#### Leveling the Deck (Front-To-Rear)

**Note:** Check the tractor's tire pressure before performing any deck leveling adjustments. Refer to Tires for information regarding tire pressure. Always level the deck side-to-side before front-to-rear.

The front of the deck should be between  $\frac{1}{4}$ - $\frac{3}{8}$ " lower than the rear of the deck. Adjust if necessary as follows:

- Park the tractor on a firm, level surface and place the deck lift handle in a middle position.
- Rotate the blade nearest the discharge chute so that it is parallel with the tractor.
- Measure the distance from the front of the blade tip to the ground and the rear of the blade tip to the ground. The first measurement taken should be between  $\frac{1}{4}$ " and  $\frac{3}{8}$ " less than the second measurement.
- Determine the approximate distance necessary for proper adjustment and proceed, if necessary.
- To raise the front of the deck, remove the end cap, loosen the outer nut (a) then tighten (thread inward) the inner nut (b) against the front hanger bracket. See Figure 4-8. When proper adjustment is achieved, re-tighten the outer nut (a) and replace the end cap.

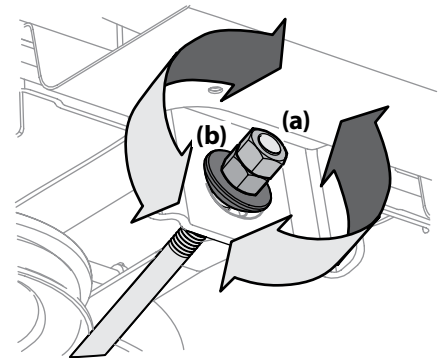


Figure 4-8

- To lower the front of the deck, remove the end cap, loosen the outer nut (a) then loosen (thread outward) the inner nut (b), away from the front hanger bracket. See Figure 4-8. When proper adjustment is achieved, re-tighten the outer nut (a) and replace the end cap.

## Adjusting the Deck Wheels

### ⚠ WARNING

Keep hands and feet away from the discharge opening of the cutting deck.

**Note:** The deck wheels are an anti-scalp feature of the deck and are not designed to support the weight of the cutting deck.

The deck wheels should be approximately ¼-½" above the ground when the deck is set in the desired height setting. To adjust the deck wheels see the Assembly & Set-Up section for instructions.

### Drive Control Lever Stop Adjustment (If equipped)

When the drive control levers are both fully extended forward to the full-speed position and the tractor drifts left or right, the drive control lever stop adjustment can be adjusted to sync the wheel speeds. To perform the adjustment, proceed as follows:

1. Identify the side that the tractor is drifting to and adjust the opposite drive control lever. If the tractor drifts right, adjust the left drive control lever down (decrease speed) and vice versa.
2. Locate the drive control lever stop adjustment bolts (a) on the front of the seat frame. See Figure 4-9.

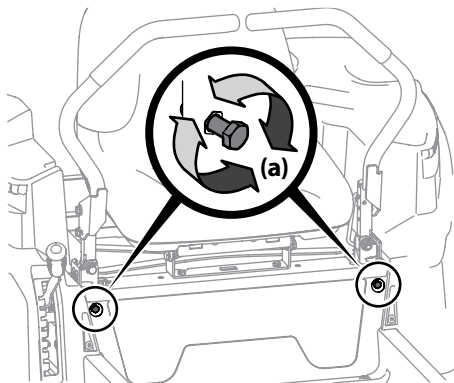


Figure 4-9

3. To decrease the forward speed, turn the drive control lever stop adjustment bolts (a) clockwise. To increase the forward speed, turn the drive control lever stop adjustment bolts (a) counter-clockwise. Turn the drive control lever stop adjustment bolts (a) in the necessary direction ¼-turn at a time. After turning the drive control lever stop adjustment bolts (a), check the adjustment by driving the tractor.
4. Continue the adjustment until the wheel speeds are in sync and the tractor drives straight with the drive control levers fully extended forward in the full-speed position.

## Off-Season Storage

### Tractor Storage

If your tractor is not going to be operated for an extended period of time (thirty days to approximately six months), the tractor should be prepared for storage. Store the tractor in a dry and protected location. If stored outside, cover the tractor (including the tires) to protect it from the elements. The procedures outlined below should be performed whenever the tractor is placed in storage.

1. Change the engine oil and filter following the instructions provided in the Engine Operator's Manual.

### ⚠ WARNING

Never store the tractor with fuel in the tank indoors or in poorly ventilated enclosures, where fuel fumes may reach an open flame, spark or pilot light as on a furnace, water heater, clothes dryer, etc.

2. Service the engine as instructed in the separate Engine Operator's Manual.
3. Engines stored between 30 and 90 days need to be treated with a gasoline stabilizer and engines stored over 90 days need to be drained of fuel to prevent deterioration and gum from forming in fuel system or on essential carburetor parts. If the gasoline in your engine deteriorates during storage, you may need to have the carburetor, and other fuel system components, serviced or replaced.

### ⚠ WARNING

Drain fuel only into unapproved container outdoors, away from an open flame. Allow engine to cool. Extinguish cigarettes, cigars, pipes, and other sources of ignition prior to draining fuel.

3. Remove the spark plugs and pour approximately one ounce of oil into each cylinder. Crank the engine one or two turns to spread the oil evenly on the cylinder walls. Replace the spark plugs.
4. Clean the engine and the entire tractor thoroughly.  
**Note:** Use of a pressure washer or garden hose is not recommended to clean your tractor. They may cause damage to electrical components, spindles, pulleys, bearings or the engine. The use of water will result in shortened life and reduce serviceability.
5. Sharpen the blades so that the tractor will be ready to use when needed.
6. Protect the metal surfaces. Repair scratches with the appropriate touch-up spray paint. Brush a rust preventive oil on any unpainted surfaces including the pulleys and blades. (Be careful not to get any oil on the drive belts.)
7. Clean and fully charge the battery, then disconnect the negative cable at the battery to prevent possible discharge. Recharge the battery periodically when in storage.  
**Note:** Remove the battery if exposed to prolonged periods of sub-freezing temperatures. Store in a cool, dry location where temperatures are above freezing.

8. Lubricate all lubrication points.
9. Jack the tractor up and store it on blocks to take the weight off of the tires.

## Removing the Tractor from Storage

1. Check the engine oil.
2. Fully charge the battery, lower tractor off blocks, and inflate the tires to the recommended pressure.
3. Remove the spark plugs and wipe them off. Using the starter, crank the engine to pump the excess oil out of the spark plug holes. Replace the spark plugs and the ignition leads.
4. If drained before storing, fill the fuel tank with clean, fresh gasoline.
5. Check the level of the engine oil in the crankcase and the hydraulic reservoir tank.
6. Start the engine and allow to idle for a few minutes to ensure engine is operating properly.
7. Drive the tractor without a load to make certain all the tractor systems are functioning properly.

## Service

### Battery Removal

### ⚠ WARNING

Battery posts, terminals and related accessories contain lead and lead compounds. Wash hands after handling.

The battery is located beneath the seat frame. To remove the battery:

1. Remove the hex washer screw (a) securing the battery hold-down bracket (b) to the frame. Then flip the battery hold-down bracket (b) up to free the battery. See Figure 4-10.

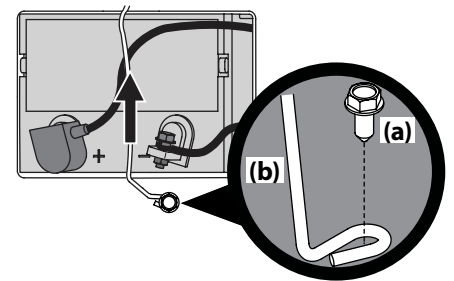


Figure 4-10

2. Remove the hex cap screw and sems nut securing the black negative battery lead to the negative battery post (marked NEG). Move the cable away from the negative battery post.
3. Remove the hex cap screw and sems nut securing the red positive battery lead to the positive battery post (marked POS).
4. Carefully lift the battery out of the tractor.
5. Install the battery by repeating the above steps in the reverse order.

### ⚠ WARNING

Always connect the positive lead to the battery before connecting the negative lead. This will prevent sparking or possible injury from an electrical short caused by contacting the tractor body with tools being used to connect the cables.

## Charging the Battery

Test and, if necessary, recharge the battery after the tractor has been stored for a period of time.

- A voltmeter or load tester should read 12.6 volts (DC) or higher across the battery terminals. See Figure 4-11.

Voltmeter Reading	State of Charge	Charging Time
12.7	100%	Full Charge
12.4	75%	90 Min.
12.2	50%	180 Min.
12.0	25%	280 Min.

Figure 4-11

- Charge the battery with a 12-volt battery charger at a MAXIMUM rate of 10 amps.

## Servicing Electrical System

A fuse is installed to protect the tractor's electrical system from damage caused by excessive amperage. Always use the same capacity fuse for replacement. If the electrical system does not function, check for a blown fuse.

If you have a recurring problem with blown fuses, have the tractor's electrical system checked by your authorized service dealer.

## Relays and Switches

There are several safety switches in the electrical system. If a function of the safety interlock system described earlier is not functioning properly, have the electrical system checked by your authorized service dealer.

## Parking Brake Adjustment

If the tractor does not come to a complete stop when the control levers are moved fully outward engaging the parking brake, or if the tractor's rear wheels can roll with the parking brake engaged (and the hydrostatic relief valve open), the brake is in need of adjustment. See your authorized service dealer to have the brake adjusted.

## Deck Removal

Remove the tractor deck from the tractor as follows:

- Move the tractor to a level surface, disengage the PTO, stop the engine place the control levers in the neutral/parking brake engaged position.
- For tractors with manual PTO's continue with step 3, for electric PTO models skip ahead to step 6.

- Remove the hex washer screw (a), flat washer (b) securing the belt keeper rod (c) to the transmission mount brackets (d) and remove the belt keeper rod (c). See Figure 4-12.

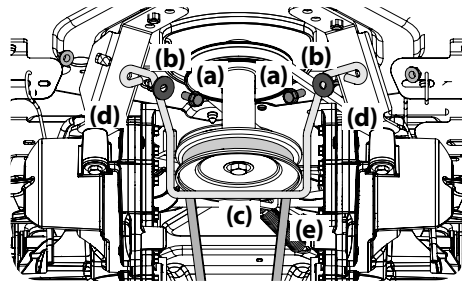


Figure 4-12

- Remove the bow pin (a) that secures the PTO cable (b) to the bracket (c) on the deck, slide the PTO cable (b) out of the bracket (c) and unhook the spring from the idler bracket (d). See Figure 4-13.

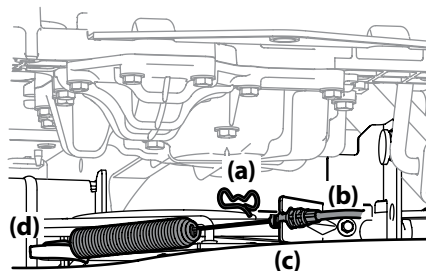


Figure 4-13

- Remove the 'V' belt (e) from the PTO pulley on manual PTO tractors on the bottom of the engine and skip ahead to Step 9. See Figure 4-12.

**⚠ WARNING**

The muffler at the rear of the tractor may be extremely hot, and could cause serious burns. Use extreme caution when near the muffler. Allow the muffler to fully cool before removing the belt from the PTO pulley.

- For electric PTO tractors, use one of the following two methods:
- Releasing belt tension with the idler pulley:
  - Using the deck lift handle, raise the deck to the position that provides the most horizontal run of the belt between the deck idler pulleys and the PTO pulley on the bottom of the engine. See Figure 4-14.

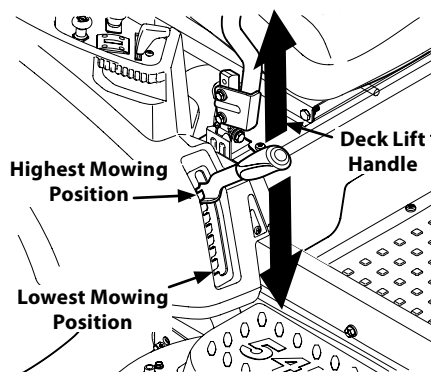


Figure 4-14

- Working from the middle of the tractor, pivot the idler bracket (a) and movable idler pulley (b) rearward on 42/46/54" decks and forward on 34" decks just far enough to lift the belt up and over the spindle pulley. See Figure 4-15 for 42/46/54" decks and Figure 4-16 for 34" decks.

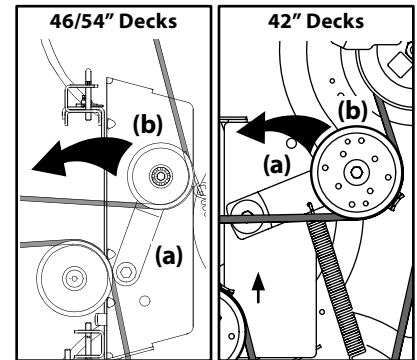


Figure 4-15

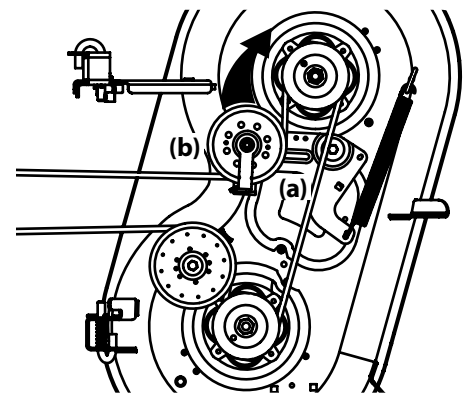


Figure 4-16

- From beneath the rear of the tractor, slide the belt off of the PTO pulley on the bottom of the engine.
- Lower the deck into the lowest mowing position using the deck lift handle. See Figure 4-14.
- Skip ahead to step 9.
- Rolling the belt off the PTO pulley:
  - Using the deck lift handle, raise the deck to the position that provides the most horizontal run of the belt between the deck idler pulleys and the PTO pulley on the bottom of the engine.
  - Sitting behind the tractor facing forward, reach beneath the tractor to grasp the belt at the front of the PTO pulley.

**⚠ WARNING**

Use caution to avoid pinching your fingers when rolling the belt off the PTO pulley.

- Pull the left side of the belt rearward and downward while manually turning the PTO pulley to the right until the belt rides out onto the edge of the lower sheave of the pulley.

**Note:** If pulling the right side of the belt, turn the pulley left.

- d. While still holding the PTO belt (a) downward, continue turning the PTO pulley (b) until the PTO belt (a) is rolled off the PTO pulley (b). Refer to Figure 4-17.

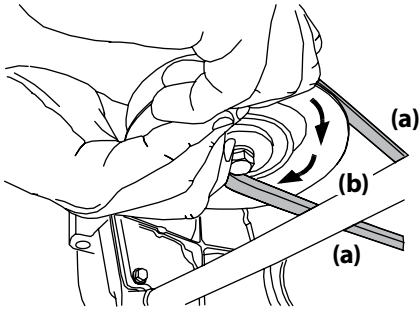


Figure 4-17

- e. Lower the deck into the lowest mowing position using the deck lift handle. See Figure 4-14.
- f. Move on to step 9.
9. Pull the cotter pin (a) out of the front deck lift rod (b) securing it to the deck. See Figure 4-18. Slide the deck lift rod out of the front hanger bracket (c).

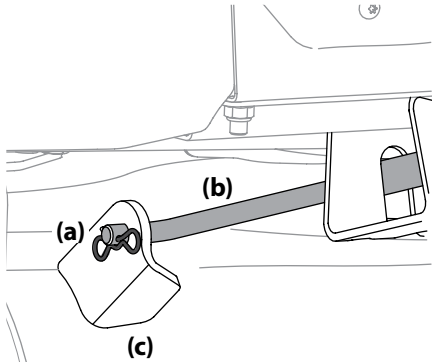


Figure 4-18

10. Locate the LH and RH deck release pins (a) on each side of the deck. Pull the deck release pins (a) outward and release the deck from the LH and RH deck lift arms (b). See Figure 4-19.

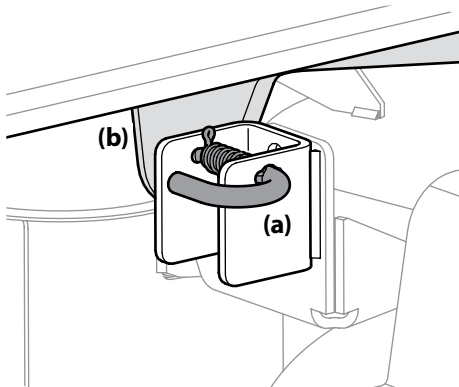


Figure 4-19

11. Place the deck lift handle into the highest mowing position and slide the deck out from beneath the tractor. See Figure 4-14.

## Deck Installation

Install the deck on the tractor as follows:

1. Place the deck lift handle in the highest mowing position. See Figure 4-14.
2. Slide the deck under the tractor on the right side of the tractor lining up the deck hanger brackets and the deck lift arms.
3. Once the deck is under the tractor, move the deck lift handle to the lowest mowing position.  
**Note:** To line the brackets up properly, it may be necessary to place a small block of wood under each side of the deck.
4. Pull the deck release pins outward and maneuver the deck as necessary to align the holes in the deck lift arms with the pins. Refer to Figure 4-19.
5. When aligned, push each pin fully inward through the lift arms to secure the arms in the rear hanger bracket slots.
6. Reinstall the front deck lift rod and secure in place with the cotter pin. Refer to Figure 4-18.
7. Make certain the 'V' belt is in the spindle pulleys on the deck; then route the belt rearward beneath the tractor frame, above the transmission tube(s), to the PTO pulley on the bottom of the engine.
8. Using the deck lift handle, raise the deck to the position that provides the most horizontal run of the belt between the deck idler pulleys and the PTO pulley on the bottom of the engine.
9. Make certain the belt is in the spindle pulleys of the deck, and that the backside of the belt is against both the fixed and movable idler pulleys.
10. Sitting behind the tractor, facing forward, make certain the belt is not twisted; then reach beneath the tractor to grasp the belt and pull it toward the PTO pulley.

### WARNING

Use caution to avoid pinching your fingers when rolling the belt onto the PTO pulley.

11. Pull the right side of the PTO belt rearward and place the narrow V-side of the PTO belt into the PTO pulley. See Figure 4-17.
12. While holding the PTO belt and PTO pulley together, rotate the PTO pulley to the left (See Figure 4-17). Continue holding and rotating the PTO pulley and PTO belt until the PTO belt is fully rolled into the PTO pulley.  
**Note:** Before using the tractor double-check the belt routing to make sure that the belt has been routed properly.
13. On manual PTO tractors, reinstall the belt keeper rod (Refer to Figure 4-12) and the PTO cable (Refer to Figure 4-13).

## Replacing the Belt

1. Remove the deck from beneath the tractor, (refer to Deck Removal).

2. Loosen, but do not remove the hardware on the right (a) and left idler pulley (b). Refer to Figure 4-20 for 34" decks, Figure 4-21 for 42" decks, Figure 4-22 for 46" decks and Figure 4-23 for 54" decks.

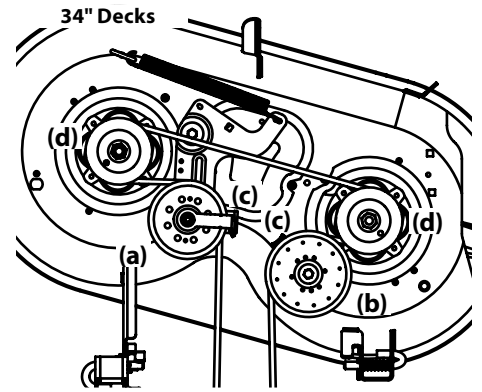


Figure 4-20

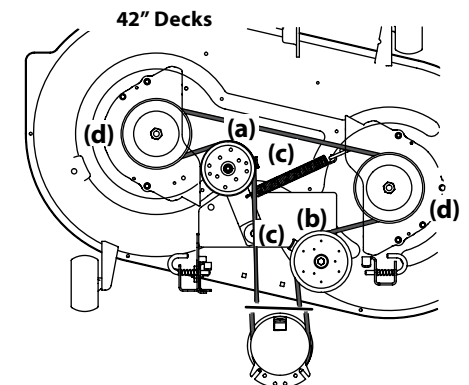


Figure 4-21

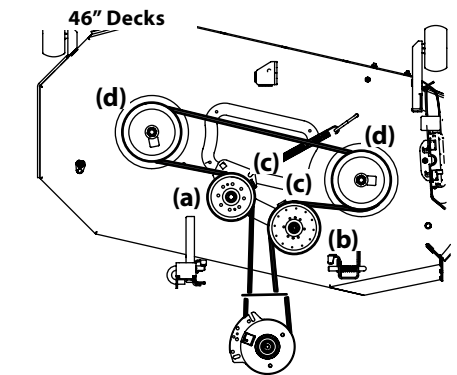


Figure 4-22

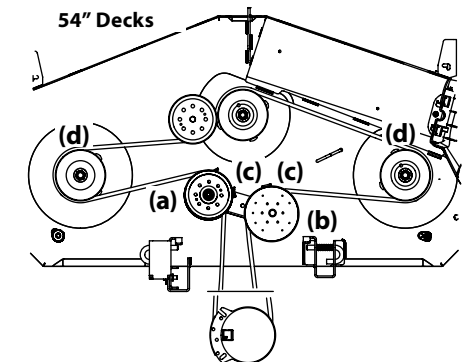


Figure 4-23

**Note:** Take note of the position of the belt guards (c) to ensure they are properly re-installed.

**Note:** On some decks it may be necessary to remove the spindle covers to remove and/or install the new belt. To remove the spindle covers, remove the screws securing them to the deck.

3. Carefully remove the belt from around the idler pulleys (a & b) and the spindle pulleys (d).
4. Install the new belt pulleys as shown and reinstall the belt covers.
5. Place the belt around the idler pulleys removed in step 3 with the "V" side facing in. Once in place, reinstall all the hardware and tighten the flange lock nut to secure the assembly.
6. Route the belt as shown and then reinstall the deck (refer to Deck Installation)

### Tractor Blade Care

**▲ WARNING**

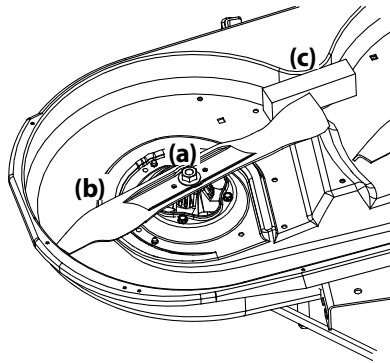
Before performing any maintenance, place the PTO switch in the "OFF" position, engage the parking brake lever, turn the ignition key to the "OFF" position and remove the key from the switch. Protect your hands by using heavy gloves when handling the blades. When servicing the tractor deck, be careful not to cut yourself on the sharpened blades.

The cutting blades must be kept sharp at all times. Sharpen the cutting edges of the blades evenly so that the blades remain balanced and the same angle of sharpness is maintained.

If the cutting edge of a blade has already been sharpened many times, or if any metal separation is present, it is recommended that new blades be installed. New blades are available at your authorized dealer.

The blades may be removed as follows.

1. Remove the deck from beneath the tractor, (refer to Deck Removal) then gently flip the deck over to expose its underside.
2. Use a 15/16" wrench to hold the hex nut on top of the spindle assembly when loosening the blade (b). A block of wood (c) may be placed between the deck housing and the cutting edge of the blade (b) to help in breaking loose the hex nut (a) securing the blade. See Figure 4-24.



**Figure 4-24**

3. When reinstalling the blades, be sure they are installed so that the wings are pointing upward toward the top of the deck.
4. Tighten the hex nuts (a) to 70-90 ft. lbs.
5. Reinstall the deck (refer to Deck Installation).

### Changing the Transmission Drive Belt

Several components must be removed and special tools used in order to change the tractor's transmission drive belt. See your authorized service dealer to have the transmission drive belt replaced.

### Tractor Creeping

Creeping is the slight forward or backward movement of the tractor when the throttle is on and the speed control levers are in the neutral position. If your tractor creeps, see an authorized service dealer.

## Notes

# MANUAL DEL OPERADOR

## Tractor de radio de giro cero Barra de seguridad

---

### Índice

<i>Medidas importantes de seguridad</i> .....	2	<i>Cuidado del producto</i> .....	15
<i>Armado e instalación</i> .....	6	<i>Piezas/Garantía</i> .....	<i>Consulte el suplemento que se adjunta por separado</i>
<i>Controles y Funcionamiento</i> .....	9		

---

### ADVERTENCIA

**LEA Y CUMPLA TODAS LAS REGLAS Y LAS INSTRUCCIONES DE SEGURIDAD DE ESTE MANUAL ANTES DE INTENTAR OPERAR ESTA MÁQUINA.  
SI NO SIGUE ESTAS INSTRUCCIONES, SE PUEDEN PROVOCAR LESIONES PERSONALES.**

**NOTA:** Este manual de operación, corresponde a varios modelos. Las características pueden variar según los modelos. No todas las características que se incluyen en este manual se aplican a todos los modelos y el modelo que se ilustra aquí puede diferir del suyo.



## ⚠ ADVERTENCIA

⚠ Este símbolo indica instrucciones de seguridad importantes que, de no seguirse, podrían poner en peligro la seguridad personal y/o la propiedad suya y de terceros. Lea y cumpla todas las instrucciones de este manual antes de intentar hacer funcionar esta máquina. Si no sigue estas instrucciones, se pueden provocar lesiones personales. Cuando vea este símbolo. **TENGA EN CUENTA LA ADVERTENCIA.**

## ⚠ ADVERTENCIA

### PROPOSICIÓN 65 DE CALIFORNIA

El escape del motor de este producto, algunos de sus componentes y algunos componentes del vehículo contienen o liberan sustancias químicas que el estado de California considera que pueden producir cáncer, defectos de nacimiento u otros problemas reproductivos.

Los bornes y contactos de la batería, y los accesorios afines contienen plomo y compuestos de plomo, sustancias químicas que el Estado de California considera que pueden producir cáncer y daños en el sistema reproductivo. Lávese las manos después de estar en contacto con estos componentes.

## ⚠ PELIGRO

Esta máquina está diseñada para ser utilizada respetando las medidas de seguridad contenidas en este manual. Al igual que con cualquier tipo de equipo motorizado, un descuido o error por parte del operador puede producir lesiones graves. Esta máquina es capaz de amputar manos y pies y de arrojar objetos. De no respetar las instrucciones de seguridad siguientes, se pueden ocasionar lesiones graves o la muerte.

## Funcionamiento general

- Lea, entienda y cumpla todas las instrucciones incluidas en la máquina y en el(los) manual(es) antes de intentar realizar el montaje de la unidad y utilizarla. Guarde este manual en un lugar seguro para consultas futuras y periódicas, así como para solicitar repuestos.
- Familiarícese con todos los controles y su correcto funcionamiento. Sepa cómo detener la máquina y desactivar los controles rápidamente.
- No permita nunca que los niños menores de 14 años utilicen esta máquina. Los niños de 14 años en adelante deben leer y entender las instrucciones y las normas de seguridad contenidas en este manual y sobre la máquina, y deben ser entrenados y supervisados por un adulto.
- Nunca permita que los adultos operen esta máquina sin recibir antes la instrucción apropiada.
- Para ayudar a evitar el contacto con las cuchillas o una lesión por algún objeto que sea arrojado, mantenga a las personas que lo observan, a los ayudantes, niños y mascotas alejados al menos 25 metros de la máquina mientras está en funcionamiento. Pare la máquina si alguien ingresa a la zona.
- Revise minuciosamente el área donde se va a usar el equipo. Saque todas las piedras, palos, cables, huesos, juguetes y demás objetos extraños que puedan ser recogidos y arrojados por las cuchilla(s). Los objetos arrojados por la máquina pueden producir lesiones personales graves. Planifique el patrón de corte, para evitar que la descarga de material se realice hacia los caminos, las veredas, los observadores, etc. Evite además descargar material contra las paredes y obstrucciones que podrían provocar que el material descargado rebote contra el operador.
- Utilice siempre anteojos o antiparras de seguridad durante la operación o mientras realiza ajustes o reparaciones. Los objetos arrojados que rebotan pueden producir lesiones graves en los ojos.
- Utilice zapatos de trabajo resistentes, de suela fuerte, y pantalones y camisas ajustados. Las prendas sueltas y las alhajas pueden quedar atrapadas en las piezas móviles. Nunca haga funcionar la máquina descalzo o con sandalias.
- Se recomienda utilizar protección auditiva si se va a utilizar este producto durante períodos prolongados.
- Esté atento a la dirección de descarga de la cortadora y sus accesorios y no los apunte a nadie. Nunca opere la cortadora de césped sin tener bien colocada la cubierta de descarga o el colector de césped.
- No ponga las manos ni los pies cerca de las piezas rotatorias ni debajo de la plataforma de corte. El contacto con las cuchilla(s) puede amputar manos y pies.
- Una cubierta de descarga faltante o dañada puede provocar lesiones por contacto con la cuchilla o por objetos arrojados.
- Detenga la(s) cuchilla(s) cuando cruce caminos de gravilla, senderos o caminos y cuando no esté cortando el césped.
- Vigile el tránsito vehicular cuando esté operando cerca de caminos o en cruces. Esta máquina no está diseñada para ser usada en la vía pública.
- No haga funcionar la máquina si se encuentra bajo los efectos del alcohol o las drogas.
- Úsela solamente con luz natural o con buena luz artificial.
- Nunca lleve pasajeros.
- No use la máquina para remolcar:
- Retroceda lentamente. Siempre mire hacia abajo y hacia atrás antes y mientras retrocede para evitar accidentes. Esté atento y vigile el funcionamiento del sistema de seguridad que corta la energía de las cuchillas al conducir marcha atrás. Si no funciona correctamente, póngase en contacto con un distribuidor autorizado para que se inspeccione y repare el sistema de seguridad.
- Reduzca la velocidad antes de girar. Haga funcionar la máquina de manera uniforme. Evite que funcione de manera errática y a excesiva velocidad. Desenganche la(s) cuchilla(s), coloque el freno de mano, detenga el motor y espere hasta que la(s) cuchilla(s) se detenga(n) por completo antes de retirar el colector de recortes de césped, vaciar los recortes, desbloquear el canal de descarga, retirar cualquier residuo o desecho, o realizar cualquier ajuste.
- Nunca deje la máquina en funcionamiento sin vigilancia. Apague siempre la(s) cuchilla(s), coloque las palancas de control de transmisión en neutral, coloque el freno de mano, detenga el motor y retire la llave antes de bajarse de la unidad.
- Tenga mucho cuidado al cargar o descargar la máquina en un remolque o camión. Esta máquina no debe conducirse subiéndolo o bajando rampas, ya que la máquina podría volcar y provocar lesiones personales graves. La máquina se debe empujar a mano en rampas para cargarla o descargarla correctamente.
- El silenciador y el motor se recalientan y pueden producir quemaduras. No los toque.
- Revise el espacio libre por encima de la cabeza antes de conducir bajo ramas bajas de árboles, cables, cerramientos de puertas, etc. en los cuales el operador podría atorarse o ser empujado fuera de la máquina, lo que podría resultar en lesiones graves.
- Desenganche todos los embragues de los accesorios y mueva las palancas de control de transmisión de lado derecho y lado izquierdo totalmente hacia afuera, a la posición neutral, antes de intentar arrancar el motor.
- Su máquina fue diseñada para cortar césped residencial normal, con una altura no mayor de 10". No intente cortar césped demasiado crecido, seco (como un pastizal) ni pilas de hojas secas. El césped o las hojas secas pueden entrar en contacto con el escape del motor y/o acumularse en la plataforma de corte presentando un potencial peligro de incendio.
- Utilice solamente accesorios e implementos aprobados para esta máquina por su fabricante. Lea, comprenda y siga todas las instrucciones incluidas con el accesorio o implemento aprobado.
- Los datos indican que los operadores de 60 años y más participan de un gran porcentaje de lesiones relacionadas con tractores cortacésped. Estas personas deben evaluar su capacidad para operar el tractor de manera suficientemente segura para protegerse a sí mismos y a otros de lesiones graves.
- Si se presentan situaciones que no están previstas en este manual, tenga cuidado y use el sentido común. Póngase en contacto con su representante de atención al cliente para obtener ayuda.

## Operación en pendiente

Las pendientes son un factor importante en los accidentes ocasionados por pérdida de control y vuelcos que pueden causar lesiones graves e incluso la muerte. Todas las pendientes requieren precaución extra. Si no puede retroceder por la pendiente o si no se siente seguro, no realice ningún corte.

Para su seguridad, use el indicador de pendientes que se incluye como parte de este manual para medir la pendiente antes de operar la máquina en una zona inclinada. Si la pendiente es de más de 15°, como se muestra en el medidor, no haga funcionar esta máquina en ese sector o podría causar lesiones graves.

### Si:

- Corte de forma transversal a la pendiente, no hacia arriba ni hacia abajo. Tenga sumo cuidado al cambiar de dirección en una pendiente.
- Esté atento a los hoyos, surcos, baches, rocas, u otros objetos ocultos. El terreno desnivelado puede voltear la máquina. El césped alto puede ocultar obstáculos.
- Conduzca a baja velocidad. Elija una velocidad lo suficientemente baja, de modo que no tenga que detenerse mientras está en la pendiente. Evite arrancar o detenerse en una pendiente. Si los neumáticos no pueden mantener la tracción, desenganche las cuchillas y baje lentamente y con cuidado por la pendiente.
- Siga las recomendaciones del fabricante sobre los pesos o contrapesos de las ruedas para mejorar la estabilidad.
- Tenga mucho cuidado con los colectores de césped y otros complementos. Pueden modificar la estabilidad de la máquina.



- Haga que todos los movimientos en las pendientes sean lentos y graduales. No realice cambios bruscos de velocidad o dirección. La aceleración o la reducción repentina de velocidad pueden hacer que el frente de la máquina se levante y vuelque hacia atrás, lo que podría producir lesiones graves.

#### No:

- No gire en pendiente a menos que sea necesario; si lo hace, gire lentamente cuesta arriba y tenga sumo cuidado al hacerlo.
- No corte el césped cerca de barrancos, zanjas o terraplenes. La cortadora puede volcarse repentinamente si una de las ruedas pasa el borde de un acantilado o zanja o si se desmorona un borde.
- No intente estabilizar la máquina poniendo el pie en el suelo.
- No utilice colector de césped en pendientes empinadas.
- No corte el césped húmedo. La falta de tracción puede hacer que patine.

#### Niños

- Se pueden producir accidentes trágicos si el operador no está alerta por la presencia de niños. Por lo general, los niños se sienten atraídos por la máquina y su actividad. Los niños no son conscientes de los peligros. Nunca asuma que los niños permanecerán donde los vio por última vez.
  - Mantenga a los niños fuera del área de trabajo y bajo estricta vigilancia de un adulto responsable además del propio operador.
  - Esté alerta y apague la máquina si un niño ingresa al área.
  - Para evitar accidentes al retroceder, siempre mire hacia atrás y hacia abajo para ver si hay niños.
  - Nunca transporte niños, ni siquiera con las cuchillas desactivadas. Podrían caerse y resultar gravemente heridos o interferir con la operación segura de la máquina.
  - Tenga mucho cuidado al aproximarse a las esquinas ciegas, puertas, arbustos, árboles u otros objetos que puedan obstaculizarle la vista de un niño que pudiese correr al encuentro de la máquina.
  - Mantenga a los niños alejados de los motores calientes o en funcionamiento. Pueden sufrir quemaduras al tocar un silenciador caliente.
  - Retire la llave cuando la máquina quede sin vigilancia para evitar el funcionamiento no autorizado.
- No permita nunca que los niños menores de 14 años utilicen esta máquina. Los niños de 14 años en adelante deben leer y entender las instrucciones y las normas de seguridad contenidas en este manual y sobre la máquina, y deben ser entrenados y supervisados por un adulto.

#### Remolque

- Remolque únicamente utilizando una máquina que cuente con un dispositivo de enganche diseñado para tal fin. No acople equipo remolcado excepto en el punto de enganche.
- Siga las recomendaciones del fabricante sobre los límites de pesos de los equipos remolcados y el remolque en pendiente.
- Nunca permita que los niños y otras personas se suban a equipos remolcados.
- En las pendientes, el peso del equipo remolcado puede causar pérdida de tracción y pérdida de control.
- Siempre tenga mucho cuidado al remolcar con una máquina capaz de hacer giros cerrados (por ejemplo, tractor cortacésped con radio de giro cero). Realice giros amplios para el acodillamiento.

- Desplácese lentamente y deje distancia adicional para detenerse.
- No cambie a punto muerto para bajar por inercia.

#### Servicio

##### Manejo seguro de la gasolina:

- Para evitar lesiones personales o daños materiales sea sumamente cuidadoso al manipular la gasolina. **La gasolina es sumamente inflamable y sus vapores son explosivos.** Si se derrama gasolina encima o sobre la ropa se puede lesionar gravemente ya que se podría prender fuego. Lávese la piel y cámbiese de ropa de inmediato.
  - Utilice sólo recipientes para gasolina aprobados.
  - Nunca llene los recipientes en el interior de un vehículo o camión o caja de remolque con un recubrimiento plástico. Ubique los recipientes en el piso, lejos del vehículo antes de llenarlos.
  - Cuando sea factible, retire el equipo a gasolina del camión o remolque y llénelo en el suelo. Si esto no es posible, recargue combustible sobre un remolque con un recipiente portátil, en lugar de una boquilla dosificadora de combustible.
  - En todo momento, mantenga el pico en contacto con el borde del depósito de combustible o con la abertura del recipiente, hasta terminar la carga. No utilice un dispositivo de bloqueo/apertura de boquilla.
  - Apague los cigarrillos, cigarros, pipas y toda otra fuente de combustión.
  - Nunca cargue combustible en la máquina en un espacio cerrado.
  - Nunca saque la tapa del combustible ni agregue combustible mientras el motor está caliente o en marcha. Deje que el motor se enfríe por lo menos dos minutos antes de volver a cargar combustible.
  - Nunca llene en exceso el tanque de combustible. Llene el tanque no más de ½ pulgada por debajo de la base del cuello del tapón de carga, para dejar espacio para la expansión del combustible.
  - Vuelva a colocar la tapa de la gasolina y ajústela bien.
  - Limpie la gasolina que se pueda haber derramado sobre el motor o el equipo. Traslade la máquina a otra zona. Espere 5 minutos antes de arrancar el motor.
  - Para reducir el riesgo de incendio, mantenga la máquina limpia de pasto, hojas y residuos acumulados. Limpie los derrames de combustible o de aceite y elimine los residuos empapados con gasolina.
  - Nunca guarde la máquina o el recipiente de combustible en un espacio cerrado donde haya fuego, chispas o luz piloto, como por ejemplo de calentadores de agua, calefactores de ambientes, hornos, secadores de ropa u otros aparatos a gas.
  - Deje que la máquina se enfríe por lo menos cinco minutos antes de guardarla.

#### Servicio general

- Nunca haga funcionar un motor en interiores o en un área mal ventilada. El escape del motor contiene monóxido de carbono, un gas inodoro y letal.
- Antes de limpiar, reparar o inspeccionar la máquina, compruebe que la(s) cuchilla(s) y todas las piezas móviles se hayan detenido. Desconecte el cable de la bujía y póngalo haciendo tierra contra el motor para evitar que se encienda accidentalmente.
- Revise periódicamente, para asegurarse de que las cuchillas se detienen por completo en un espacio de aproximadamente cinco (5) segundos después

de accionar el control de desenganche. Si las cuchillas no se detienen en este lapso, su máquina necesita un servicio profesional de un distribuidor autorizado.

- Controle periódicamente el funcionamiento del sistema de interbloqueo de seguridad, tal como se describe más adelante en este manual. Si el sistema de interbloqueo de seguridad no funciona correctamente, lleve su máquina a hacerle un servicio profesional de un distribuidor autorizado.
- Inspeccione los pernos de montaje de la(s) cuchilla(s) y del motor a intervalos frecuentes, para verificar que estén bien ajustados. Además, inspeccione visualmente las cuchillas para detectar la presencia de daños (por ejemplo: desgaste excesivo, abolladuras, rajaduras). Reemplace las cuchillas únicamente por cuchillas de los fabricantes del equipo original (O.E.M.) listados en este manual. "El uso de piezas que no cumplen con las especificaciones del equipo original podría producir un rendimiento inadecuado y además puede comprometer la seguridad".
- Las cuchillas de la cortadora son filosas. Envuelva la cuchilla o utilice guantes y extreme las precauciones cuando les haga mantenimiento.
- Mantenga todas las tuercas, pernos y tornillos bien ajustados para asegurarse de que el equipo está en condiciones de funcionamiento seguras.
- Nunca altere el sistema de interbloqueo de seguridad u otros dispositivos de seguridad. Compruebe regularmente que estos elementos funcionen correctamente.
- Después de golpear algún objeto extraño, detenga el motor, desconecte los cables de la bujía y conéctelos a tierra con el motor. Inspeccione minuciosamente la máquina para ver si está dañada. Repare el daño antes de volver a arrancar y operar la máquina.
- Nunca intente hacer ajustes o arreglos con el motor en marcha.
- Los componentes del colector de césped y la cubierta de descarga están sujetos a desgaste y daños que podrían dejar expuestas piezas que se mueven o permitir que se arrojen objetos. Para proteger su seguridad, verifique frecuentemente los componentes y reemplácelos inmediatamente por piezas del fabricante del equipo original (O.E.M.) únicamente. lista de piezas solamente en este manual. "El uso de piezas que no cumplen con las especificaciones del equipo original podría producir un rendimiento inadecuado y además puede comprometer la seguridad".
- No cambie la configuración del regulador del motor ni acelere demasiado el motor. El regulador del motor controla la velocidad máxima de funcionamiento seguro del motor.
- Mantenga o reemplace las etiquetas de seguridad e instrucciones según sea necesario.
- Respete las normas y reglamentaciones sobre la manera correcta de eliminar gasolina, aceite, etc. para proteger el medio ambiente.
- Según la Comisión de Seguridad de Productos para el Consumidor de los Estados Unidos (CPSC) y la Agencia de Protección Ambiental de los Estados Unidos (EPA), este producto tiene una *vida útil media* de siete (7) años ó 270 horas de funcionamiento. Al finalizar la *vida útil media* haga inspeccionar anualmente esta unidad por un distribuidor de servicio autorizado para cerciorarse de que todos los sistemas mecánicos y de seguridad funcionan correctamente y no tienen excesivo desgaste. Si no lo hace, puede ocasionar accidentes, lesiones o la muerte

## No modifique el motor

Para evitar lesiones graves o la muerte, no modifique el motor de ninguna manera. La manipulación del ajuste del regulador puede modificar la regulación del motor y hacer que este funcione a velocidades inseguras. Nunca manipule el ajuste de fábrica del regulador del motor.

## Aviso sobre las emisiones del motor

Los motores que están certificados y cumplen con las regulaciones de emisiones federales EPA y de California para SORE (Equipos pequeños todo terreno) están certificados para operar con gasolina común sin plomo y pueden incluir los siguientes sistemas de control de emisiones: Modificación de motor (EM) y catalizador de tres vías (TWC) si están equipados con esos sistemas.

Cuando sea necesario, los modelos están equipados con líneas de combustible y depósitos de combustible de baja penetración para controlar las emisiones por evaporación. Los modelos de California también pueden incluir un filtro de carbono. Por favor, póngase en contacto con Atención al cliente para obtener información sobre la configuración del control de emisiones por evaporación para su modelo.

## Amortiguador de chispas

Si se utiliza un amortiguador de chispas el operador lo debe mantener en condiciones de uso adecuadas. En el Estado de California, las medidas anteriormente mencionadas son exigidas por ley (Artículo 4442 del Código de Recursos Públicos de California). Es posible que existan leyes similares en otros estados. Las leyes federales se aplican en territorios federales. Puede conseguir el amortiguador de chispas para el silenciador a través de su distribuidor autorizado de motores más cercano o poniéndose en contacto con el departamento de servicios, P.O. Box 361131, Cleveland, Ohio 44136-0019.

### ⚠ ADVERTENCIA

Esta máquina está equipada con un motor de combustión interno y no debe ser utilizada en o cerca de un terreno agreste cubierto por bosque, malezas o hierba excepto que el sistema de escape del motor esté equipado con un amortiguador de chispas que cumpla con las leyes locales o estatales correspondientes (en caso de existir).

## Símbolos de seguridad

En esta página, se presentan y describen los símbolos de seguridad que pueden aparecer en este producto. Lea, comprenda y siga todas las instrucciones incluidas en la máquina antes de intentar armarla y hacerla funcionar.

Símbolo	Descripción
	<b>LEA LOS MANUALES DEL OPERADOR</b> Lea, entienda y cumpla todas las instrucciones incluidas en los manuales antes de realizar el montaje de la unidad y utilizarla.
	<b>PELIGRO — CUCHILLAS GIRATORIAS</b> Nunca lleve pasajeros. Nunca transporte niños, ni siquiera después de haber desconectado las cuchillas.
	<b>PELIGRO — CUCHILLAS GIRATORIAS</b> Se recomienda no cortar marcha atrás.
	<b>PELIGRO — CUCHILLAS GIRATORIAS</b> No coloque las manos ni los pies cerca de piezas que giran ni debajo de la plataforma de corte. El contacto con las cuchilla(s) puede amputar manos y pies.
	<b>PELIGRO — CUCHILLAS GIRATORIAS</b> Mire hacia abajo y hacia atrás antes y mientras se desplaza marcha atrás, para evitar un accidente al retroceder.
	<b>ADVERTENCIA - OBJETOS LANZADOS</b> Esta máquina puede recoger y lanzar objetos que pueden causar lesiones personales graves.
	<b>PELIGRO — DISPOSITIVOS DE SEGURIDAD</b> Mantenga los dispositivos de seguridad (guardas, protectores, interruptores, etc.) en su lugar y funcionando.
	<b>ADVERTENCIA — OBSERVADORES</b> Mantenga a los observadores, ayudantes, niños y mascotas por lo menos a 75 pies de la máquina mientras la misma está en funcionamiento.
	<b>ADVERTENCIA — OPERACIÓN EN PENDIENTE</b> No utilice esta máquina en una pendiente mayor de 15°. No corte el césped subiendo y bajando la pendiente. Corte de forma transversal en pendientes no mayores de 15°. Evite realizar giros abruptos. Corte a baja velocidad. Si la máquina se para mientras sube la pendiente, pare las cuchillas y retroceda lentamente para abajo.
	<b>ADVERTENCIA— SUPERFICIE CALIENTE</b> Las piezas del motor, especialmente el silenciador, se recalientan durante la operación. Deje que el motor y el silenciador se enfrien antes de tocarlos.
	<b>PELIGRO — CUCHILLAS GIRATORIAS</b> Para reducir el riesgo de lesiones, mantenga alejados manos y pies. No haga funcionar sin que la tapa de descarga o el colector de césped se encuentren en el lugar que corresponde. Si están dañados, reemplácelos inmediatamente.
	<b>ADVERTENCIA — RIESGO DE INCENDIO</b> Deje que la máquina se enfríe antes de cargar combustible o almacenarla.
	<b>ADVERTENCIA — RIESGO DE INCENDIO</b> No conduzca sobre pilas de hojas secas o pasto alto.
	<b>ADVERTENCIA — RIESGO DE INCENDIO</b> No permita que se acumulen residuos. La acumulación de desechos puede dar lugar a un incendio.



**ADVERTENCIA** Su Responsabilidad--Sólo permita que usen esta máquina eléctrica las personas que lean, comprendan y respeten las advertencias e instrucciones que aparecen en este manual y en la máquina.

**¡GUARDE ESTAS INSTRUCCIONES!**

## Indicador de pendiente

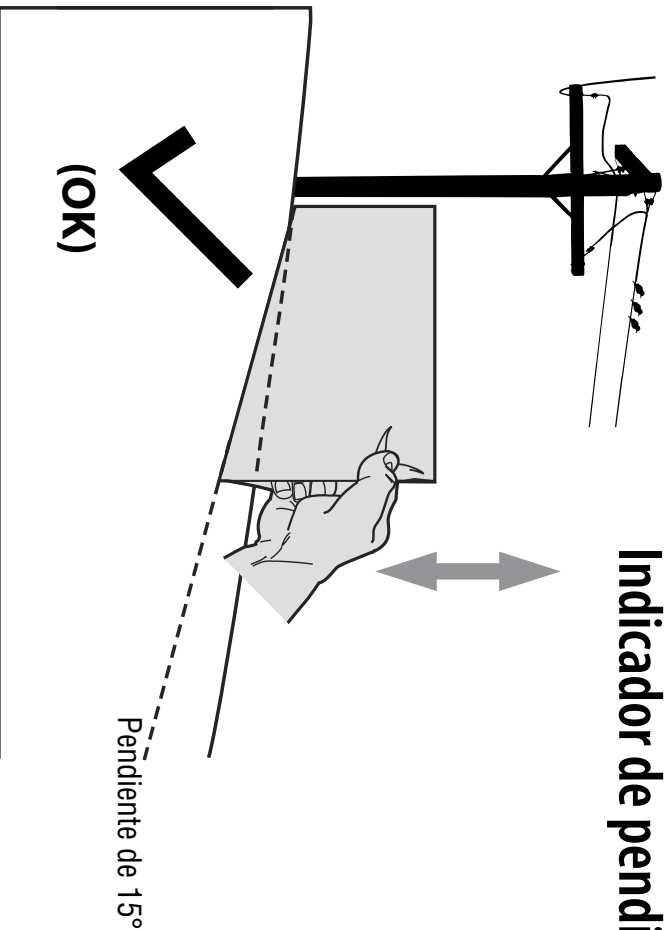


Figura 1

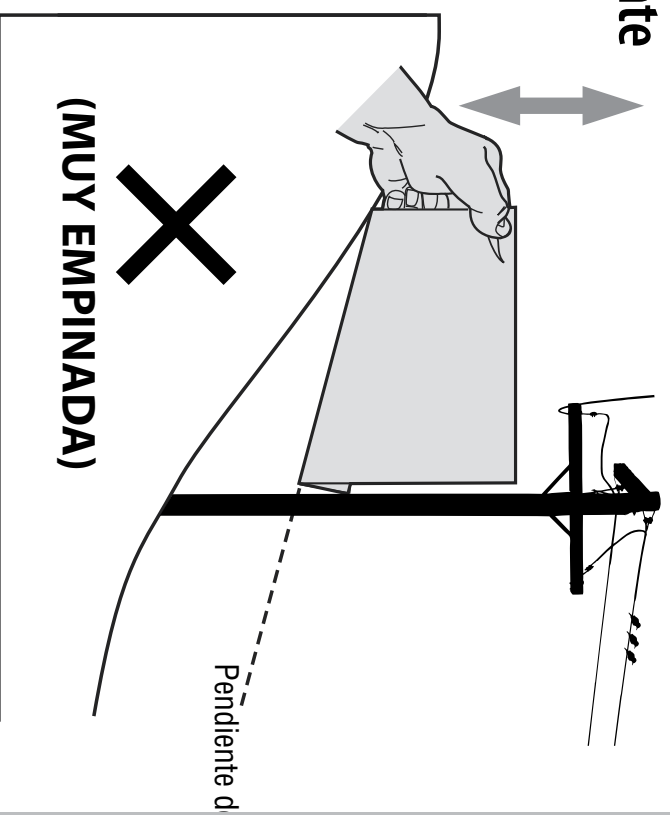


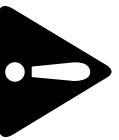
Figura 2

**¡USE ESTE INDICADOR DE PENDIENTE PARA DETERMINAR SI UNA PENDIENTE ES DEMASIADO EMPINADA PARA SU SEGURIDAD!**

- Para comprobar la pendiente, proceda de la siguiente manera:
1. Separe esta página y pliéguela por la línea de puntos.
  2. Ubique un objeto vertical que se encuentre sobre o detrás de la pendiente (un poste, un edificio, un cerco, un árbol, etc.)
  3. Alinee uno de los lados del indicador de pendiente con el objeto (vea las Figuras 1 y 2).
  4. Ajuste el indicador hacia arriba o hacia abajo hasta que la esquina izquierda toque la pendiente (vea las Figuras 1 y 2).
  5. Si hay una separación debajo del indicador, la pendiente es demasiado empinada para operar con seguridad (vea la Figura 2 anterior).

*Línea de puntos a 15°*

**ADVERTENCIA** Las pendientes son un factor importante relacionado con accidentes por tumbos y vuelcos que pueden producir lesiones graves o la muerte. No utilice la máquina en pendientes de más de 15 grados. Todas las pendientes requieren precaución extra. Si no puede retroceder por la pendiente o si no se siente seguro, no realice ningún corte. Siempre corte hacia arriba y hacia abajo de las pendientes, nunca de manera transversal.



## Muchas gracias

Gracias por comprar este producto. Ha sido cuidadosamente diseñado para brindar excelente rendimiento si se lo hace funcionar y se lo mantiene correctamente.

Por favor lea todo este manual antes de hacer funcionar el equipo. El manual le indica cómo configurar, hacer funcionar y mantener la máquina de manera fácil y segura. Por favor asegúrese de que usted, y cualquier otra persona que utilice la máquina, siga atentamente y en todo momento las medidas de seguridad recomendadas. De lo contrario, se podrían producir lesiones personales o daños materiales.

Toda la información contenida en este manual hace referencia a la información más reciente sobre el producto que está disponible al momento. Revise el manual frecuentemente para familiarizarse con la máquina, sus características y su funcionamiento. Por favor tenga en cuenta que este Manual del Operador puede abarcar una variedad de especificaciones para productos de diversos modelos. Es posible que las características y funciones incluidas y/o ilustradas en este manual no se apliquen a todos los modelos. Nos reservamos el derecho de modificar las especificaciones de los productos, diseños y equipos sin previo aviso y sin

generar responsabilidad por obligaciones de ningún tipo. Si corresponde, la información sobre las pruebas de potencia utilizada para determinar la potencia nominal del motor equipado en esta máquina se puede consultar en [www.opei.org](http://www.opei.org) o en el sitio web del fabricante del motor.

Si tiene algún problema o duda con respecto a esta máquina, llame a su distribuidor de servicio local autorizado o póngase en contacto directamente con nosotros. Queremos garantizar su entera satisfacción en todo momento.

En este manual, todas las referencias al lado derecho o *izquierdo* de la máquina se hacen observándola desde la posición de operación.

## Contenido del cajón

- Tractor con radio de giro cero (1)
- Manual del Operador (1)
- Manual del Operador del Motor (1)
- Tubo de drenaje del aceite (1)
- Acoplador de manguera para lavado de la plataforma (1)
- Paquete de elementos de ferretería (1)

**Nota:** Este manual de operación, corresponde a varios modelos. Las características del tractor pueden variar según los modelos. No todas las características que se incluyen en este manual se aplican a todos los modelos de tractor y la máquina que se ilustra aquí puede diferir de la suya.

**Nota:** Todas las referencias que contiene este manual sobre los lados derecho o izquierdo y trasero o delantero del tractor se hacen siempre desde la posición de operación. Las excepciones, si las hubiere, serán especificadas.

## Preparación del tractor

### Movimiento manual del tractor

- Enganche las varillas de derivación de la transmisión, una a cada lado del tractor, para mover el tractor manualmente sin ponerlo en marcha. Las varillas de derivación de la transmisión están ubicadas en la parte trasera del tractor, justo en el interior de las ruedas traseras. Enganche las varillas de derivación tirando de cada una hacia afuera (a) y hacia la derecha (b) para trazarlas en su lugar. Consulte la Figura 2-1 para obtener información sobre los tractores con plataforma de 34 in; consulte la Figura 2-2 para obtener información sobre los demás tractores.

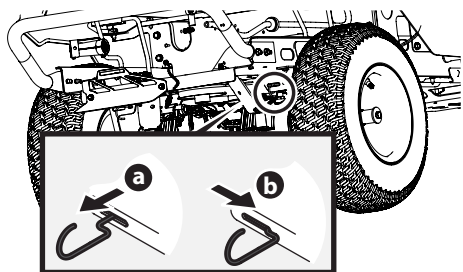


Figura 2-1

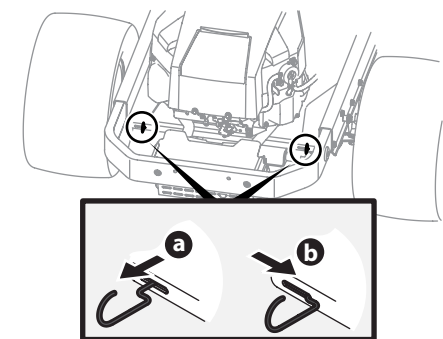


Figura 2-2

- Después de mover el tractor, desenganche las varillas de derivación invirtiendo los pasos.

- Consulte la Figura 2-1 para obtener información sobre los tractores con plataforma de 34 in; consulte la Figura 2-2 para obtener información sobre todos los demás tractores.
- Retire el adaptador del pico del sistema de lavado de la plataforma de la bolsa manual y guárdelo para uso futuro.

### Instale el asiento del operador

Para instalar el asiento, proceda de la siguiente manera:

- Corte cualquiera de las tiras que fijan el conjunto del asiento y las palancas de control de la transmisión al tractor. Quite cualquier material de empaque.
 

**Nota:** El asiento es enviado con el interruptor de asiento y contenedor de asiento anexo.
- Quite los dos tornillos con reborde (a) y las tuercas de seguridad (b) con brida del contenedor del asiento tal como se muestra en la Figura 2-3.

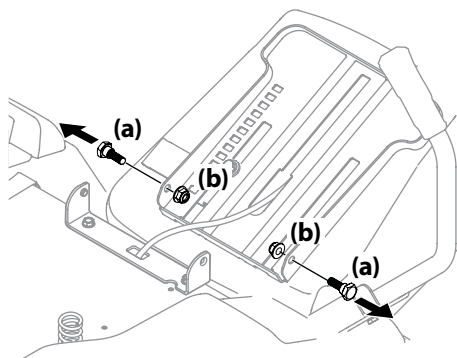


Figura 2-3

- Gire el asiento hasta la posición deseada y asegúrelo en su lugar con los tornillos de reborde (a) y las tuercas de seguridad con brida (b) que extrajo antes. Tenga cuidado de no doblar o dañar el cableado mientras instala el asiento. Consulte Figura 2-4.

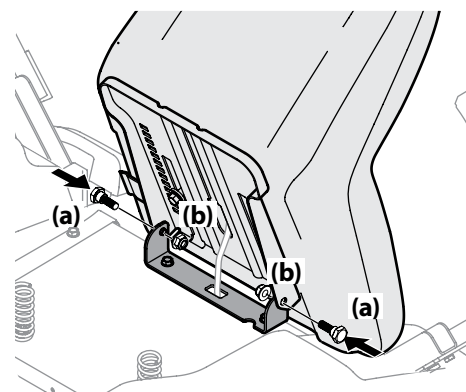


Figura 2-4

- Usando las trabas del arnés (si están incluidas) unidas al arnés, asegure el exceso de cable al guardabarros colocando la traba del arnés en su lugar como se muestra en la Figura 2-5.

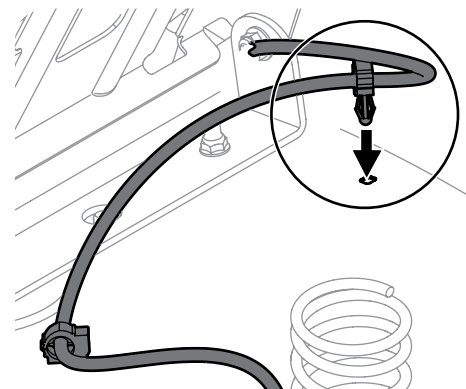


Figura 2-5

**Nota:** Asegúrese de empujar el cable excedente del cableado para que ingrese en el orificio de la caja del asiento antes de continuar.

## Coloque las palancas de control de la transmisión en posición

Las palancas de control de la transmisión del tractor se bajan para el embarque. Los tornillos hexagonales y arandelas planas que normalmente aseguran las palancas de control en su posición de funcionamiento están en un paquete de herrajes dentro de la bolsa de su manual. Las palancas de control se deben volver a colocar en su posición para hacer funcionar el tractor. Para volver a colocar las palancas de control en posición de operación haga lo siguiente:

1. Retire los tornillos hexagonales y las (a) arandelas planas del (b) paquete de elementos de ferretería de la bolsa del manual. Consulte la Figura 2-6.

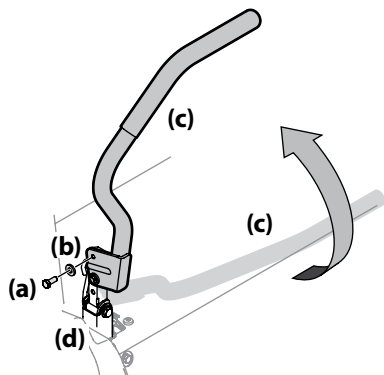


Figura 2-6

2. Levante y gire esa palanca de control (c) hacia arriba hasta que el orificio ranurado del soporte de la palanca de control (c) se alinee con uno de los orificios del soporte de pivote (d). Consulte la Figura 2-6.
3. Deslice la arandela plana (b) hacia el tornillo hexagonal (a). Desde afuera, inserte el tornillo hexagonal (a) con la arandela plana (b) a través del soporte de la palanca de control (c) y el orificio del soporte de pivote (d). Consulte la Figura 2-6. Ajuste el tornillo hexagonal (a) con una llave de 1/2 in, pero no lo ajuste completamente.
4. Observe la posición relativa de la palanca de control (c) respecto del soporte de pivote (d), luego repita los pasos previos para volver a colocar en posición la otra palanca de control (c) en aproximadamente la misma posición.

**Nota:** Ajuste bien los tornillos hexagonales (a) para evitar que las palancas de control (c) se deslicen fuera de su posición.

5. Consulte las "Instrucciones para el ajuste final de las palancas" en la Sección Cuidado del producto para obtener instrucciones para el ajuste final de las palancas.

## Baje el deflector del canal de descarga de la plataforma

### ⚠ ADVERTENCIA

Nunca opere la plataforma de corte sin el deflector del canal de descarga instalado y en posición baja.

**Nota:** Para los modelos con plataforma de 34 in, vaya a "Conexión de los cables de la batería". Para los modelos con plataforma de 46, 50 y 54: continúe con el paso 6.

1. Retire las chavetas que están sujetas con una unión con cierre al soporte del canal.
2. Retire la tuerca de seguridad con brida y el tornillo hexagonal de la plataforma

3. Ubique el deflector del canal en la plataforma, asegúrese de insertar las lengüetas de dicho deflector en los orificios de la plataforma. Consulte la Figura 2-7.

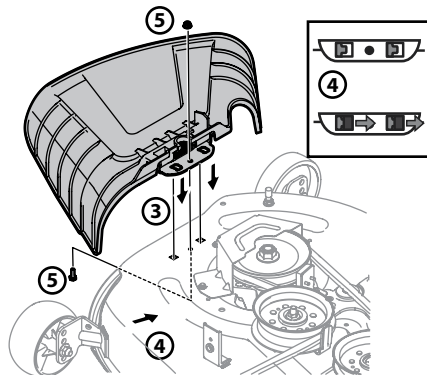


Figura 2-7

4. Después de colocar las lengüetas en la plataforma, deslice el deflector del canal hacia la parte posterior del tractor hasta que el orificio del perno que está en el deflector del canal quede alineado con el orificio de la plataforma. Consulte la Figura 2-7.
5. Sujete el deflector del canal en su lugar con la tuerca de seguridad con brida y el tornillo hexagonal que se extrajeron en el paso 2. Ajuste a 102-124 in/lb. Consulte la Figura 2-7.
6. En los modelos con plataformas de 46, 50 y 54 in el canal se envía sujetado y con un soporte de tope que lo sostiene en posición vertical. Los soportes de tope se deben extraer antes de utilizar el tractor.
7. Sosteniendo el canal deflector totalmente hacia arriba, extraiga la traba de seguridad. Baje el canal deflector y descarte la traba de seguridad. Consulte la Figura 2-8.

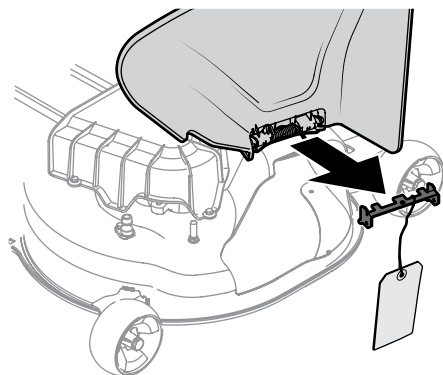


Figura 2-8

## Ajuste de las ruedas de calibración delanteras (si están instaladas)

### ⚠ ADVERTENCIA

Mantenga las manos y los pies alejados de la abertura de descarga de la plataforma de corte.

**Nota:** Las ruedas de la plataforma constituyen un mecanismo para el cuidado del césped y no fueron diseñadas para soportar el peso de la plataforma de corte.

Mueva el tractor a una superficie firme y nivelada, preferentemente sobre el pavimento, y realice lo siguiente:

1. Controle la presión de los neumáticos y asegúrese de que sea correcta y uniforme en todos los neumáticos.

2. Asegúrese de que la plataforma esté nivelada, de atrás hacia adelante y de lado a lado. Consulte en la sección Cuidado del producto para obtener información e instrucciones para nivelar la plataforma. Seleccione la posición de altura de la plataforma de corte colocando la palanca de elevación de la plataforma en la configuración de altura de corte normalmente deseada.
3. Controle si las ruedas están en contacto con la superficie de abajo o si hay una separación excesiva. Las ruedas de la plataforma deben tener entre 1/4 y 1/2 pulgada de separación respecto del suelo. Proceda como se indica a continuación para ajustar las ruedas:
  - a. Retire la tuerca de seguridad (a) que fija uno de los tornillos hexagonales (c) de las ruedas de calibración delanteras (b) a la plataforma. Retire la rueda de calibración (b) y el tornillo con reborde (c). Consulte la Figura 2-9.

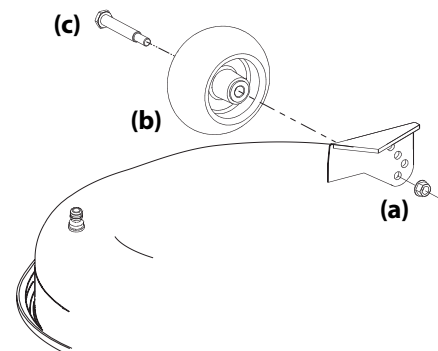


Figura 2-9

- b. Inserte el tornillo con reborde en uno de los cuatro orificios de posicionamiento, en el del soporte de rueda de calibración delantera que dé a la rueda de calibración, una separación de 1/4-1/2 in del suelo.
- c. Observe el orificio de posicionamiento de la rueda que acaba de ajustar y ajuste la otra rueda de calibración delantera en el orificio de posicionamiento respectivo del otro soporte de rueda de calibración delantera de la plataforma.

**Nota:** Consulte Ajuste de la plataforma en la sección Cuidado del producto de este manual donde encontrará instrucciones más detalladas sobre varios ajustes de la plataforma.

## Conexión de los cables de la batería

### ⚠ ADVERTENCIA

**Advertencia PROPOSICIÓN 65 DE CALIFORNIA:** Los bornes y contactos de la batería, y los accesorios afines contienen plomo y compuestos de plomo, sustancias químicas que el Estado de California considera que pueden producir cáncer y daños en el sistema reproductivo. Lávese las manos después de estar en contacto con estos componentes.

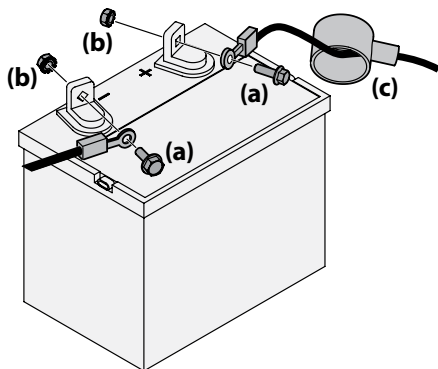
### ⚠ PRECAUCIÓN

Cuando coloque los cables de la batería, conecte siempre primero el cable POSITIVO (rojo) a su borne, y a continuación el cable NEGATIVO (negro).

Por razones relacionadas con el embarque, los dos cables de la batería de su equipo pueden haber sido desconectados de los bornes en fábrica. Para conectar los cables de la batería, proceda de la siguiente manera:

**Nota:** El borne positivo de la batería está marcado como Pos. (+). El borne negativo de la batería está marcado como Neg. (-).

1. Retire la cubierta plástica, si está presente, del borne positivo de la batería y una el cable rojo al borne positivo de la batería (+) utilizando el perno (a) y la tuerca hexagonal (b). Consulte la Figura 2-10.



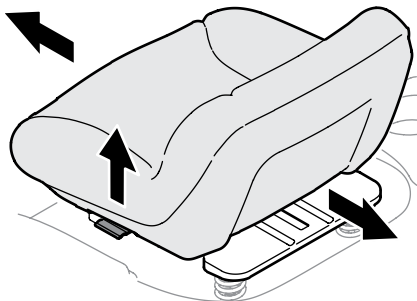
**Figura 2-10**

2. Retire la cubierta plástica, si está presente, del borne negativo de la batería y una el cable negro al borne negativo de la batería (-) utilizando el perno (a) y la tuerca hexagonal (b). Consulte la Figura 2-10.
3. Coloque el capuchón de goma rojo (c) sobre el borne positivo de la batería para protegerlo contra la corrosión.

**Nota:** Si la batería se pone en funcionamiento después de la fecha indicada en su parte superior o al costado de la misma, cárguela siguiendo las instrucciones de la página 8 de la sección Cuidado del producto de este manual antes de operar el tractor.

### Ajuste del asiento

Para ajustar la posición del asiento, tirelo hacia arriba y sostenga la palanca de ajuste del asiento. Deslice el asiento hacia adelante o hacia atrás hasta la posición deseada; luego suelte la palanca de ajuste. Asegúrese de que el asiento esté fijo en su posición antes de operar el tractor. Consulte la Figura 2-11.



**Figura 2-11**

### Llenado de combustible

Llene el depósito (situado al costado del motor, del lado izquierdo de la cortadora de césped) con gasolina normal sin plomo, de grado adecuado. Cuando el depósito de combustible llegue a la altura de una pulgada de la parte superior del depósito, deténgase, **NO LLENE EL DEPÓSITO EN EXCESO**. Debe quedar espacio para la dilatación de la gasolina.

## Notas

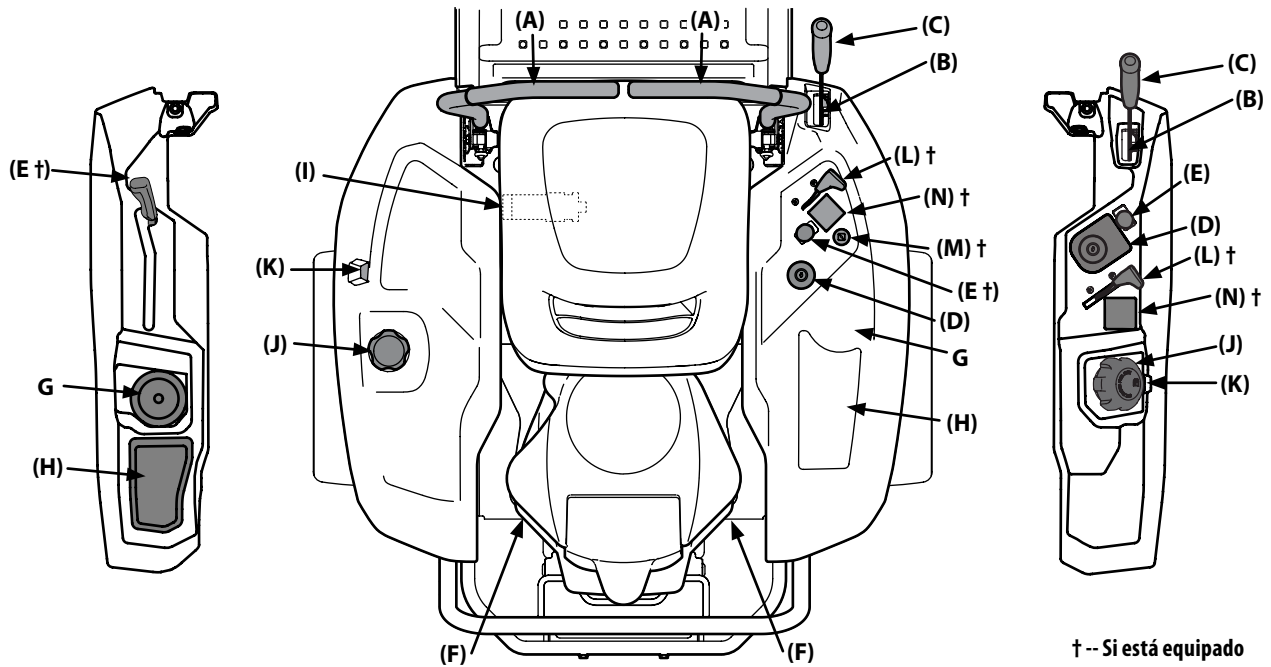


Figura 3-1

**Nota:** Este manual de operación corresponde a varios modelos. Las características del tractor pueden variar según los modelos. No todas las características que se incluyen en este manual se aplican a todos los modelos de tractor y la máquina que se ilustra aquí puede diferir de la suya.

**Nota:** Las referencias a IZQUIERDA, DERECHA, ADELANTE Y ATRÁS indican esa posición desde el asiento del operador en el tractor, mirando hacia adelante.

**Palancas de control de la transmisión (A) del lado derecho y del lado izquierdo**

Las palancas de control de la transmisión del LADO DERECHO y del LADO IZQUIERDO se encuentran a cada lado del asiento del operador. Estas palancas abisagradas giran hacia afuera, hacia el espacio abierto, para permitir al operador sentarse en el asiento del tractor o descender del mismo. Las palancas de control de la transmisión deben estar totalmente abiertas y en posición neutral para arrancar el motor del tractor. Cuando las palancas de control de la transmisión están completamente hacia afuera, también se activa el freno de mano

Cada palanca de control de la transmisión controla la transmisión respectiva. En consecuencia, estas palancas controlan todos los movimientos del tractor. La conducción del tractor y la realización de maniobras con estas palancas de control difieren mucho de las funciones respectivas de los tractores convencionales, y es necesario practicar para poder dominar las mismas. Consulte la sección Funcionamiento para obtener instrucciones sobre el uso de las palancas de control de la transmisión.

**Posicionamiento de altura de la plataforma (B)**

Para tractores con un índice de altura de cubierta de ocho (8) muescas, la altura de corte varía de 1" a 4". Para tractores con un índice de altura de cubierta de siete (7) muescas, la altura de corte varía de 1-1/2" a 4". Cada muesca corresponde aproximadamente a un cambio de 1/2" en la altura de la plataforma, que varía desde 1" o 1-1/2" en la muesca más baja a 4" en la muesca más alta.

**Manija de elevación de la plataforma (C)**

La manija de elevación de la plataforma se utiliza para levantar o bajar la plataforma.

Tire de la manija de elevación de la plataforma hacia la

izquierda para sacarla de la muesca y empuje hacia abajo para bajar la plataforma o hacia arriba para levantarla. Cuando alcance la altura deseada, mueva la palanca de elevación hacia la derecha para que encaje totalmente en la muesca de posición.

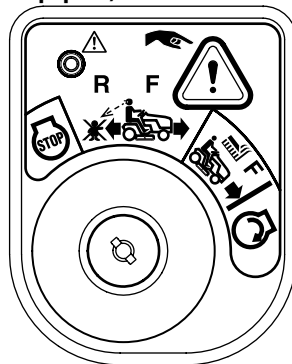
**Módulo de encendido (D)**

**⚠ ADVERTENCIA**

Nunca deje la máquina en funcionamiento sin vigilancia. Siempre desconecte la toma de fuerza (PTO), ponga el freno de mano, pare el motor y retire la llave, para evitar que el motor arranque accidentalmente.

**Módulo de encendido c/modo marcha atrás con precaución (si está equipado)**

Para arrancar el motor, inserte la llave en el interruptor de contacto y gírela hacia la derecha a la posición ARRANQUE. Suelte la llave en la posición MODO NORMAL DE CORTE una vez que el motor responda.



Para detener el motor, gire la llave de encendido en sentido contrario a las agujas del reloj hasta la posición STOP (parada).

**⚠ PRECAUCIÓN**

Antes de operar el tractor cortacésped, consulte Interruptores de interbloqueo de seguridad y Arranque del motor en la sección Funcionamiento de este manual para ver instrucciones detalladas del Módulo del interruptor de encendido y del funcionamiento del tractor en el MODO DE PRECAUCIÓN MARCHA ATRÁS.

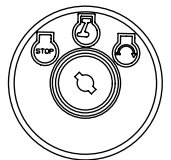
**Módulo de encendido (si está equipado)**

El interruptor de encendido tiene tres posiciones:

STOP (parada): Se apagan el motor y el sistema eléctrico.

RUN (funcionamiento): Se activa el sistema eléctrico del tractor cortacésped.

START (arranque): El motor de arranque enciende el motor. Suelte la llave inmediatamente apenas arranque el motor.



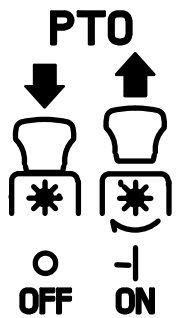
**Nota:** Para evitar el arranque accidental y/o la descarga de la batería, quite la llave del interruptor de encendido cuando el tractor cortacésped no se encuentra en uso.

**Perilla de la toma de fuerza (PTO) (E)**

**Potencia de arranque (si está equipada)**

El interruptor de la potencia de arranque (PTO) hace funcionar el embrague eléctrico de potencia de arranque (PTO) montado en la base del cigüeñal del motor. Tire de la perilla del interruptor hacia arriba para enganchar el embrague de la toma de fuerza (PTO), o empuje la perilla hacia abajo para desactivar el embrague.

Al arrancar el motor, el interruptor de la toma de fuerza (PTO) debe estar en posición OFF (apagado).



**PTO manual (si está equipada)**

La manija de la PTO/de activación de las cuchillas está ubicada en la base izquierda. Al activar la PTO, se conecta la energía a la plataforma de corte y a otros accesorios (disponibles por separado). Consulte la sección Funcionamiento para ver información e instrucciones sobre cómo usar la PTO.

## Varillas de derivación de la transmisión (F)

Las varillas de derivación de la transmisión (una para cada transmisión, lado derecho y lado izquierdo) están ubicadas en la parte trasera del tractor, justo dentro de cada rueda trasera.

Cuando están engranadas, las dos varillas abren una derivación dentro de las transmisiones hidrostáticas, lo cual permite empujar el tractor a mano a lo largo de distancias cortas. Consulte la sección Armado e Instalación para obtener instrucciones sobre el uso de la función de derivación.

### ⚠ PRECAUCIÓN

Nunca remolque su tractor. Si se remolca el tractor con las ruedas traseras apoyadas en el suelo se pueden causar daños graves a las transmisiones.

## Portavasos (G)

El portavasos está ubicado en la parte superior de la consola.

## Bandeja de almacenamiento (H)

La bandeja de almacenamiento está ubicada en la parte posterior de la consola.

## Palanca de ajuste del asiento (I)

La palanca de ajuste del asiento está ubicada debajo del asiento. La palanca de ajuste del asiento permite el ajuste del asiento del operador hacia adelante o hacia atrás. Consulte la sección Montaje y Configuración para ver instrucciones sobre el ajuste de la posición del asiento.

## Tapón del depósito de combustible (J)

Gire el tapón aproximadamente 1/4 de vuelta y tire hacia arriba para extraerlo. El tapón del combustible está amarrado al tractor para impedir que se pierda. No intente retirar el tapón del tractor. Llene el depósito hasta 1/2 in por debajo de la base del cuello de llenado para dejar un poco de espacio en el tanque para la expansión del combustible. No llene en exceso el depósito de combustible.

Empuje el tapón hacia abajo sobre el cuello de llenado del depósito de combustible y gire 3/4 de vuelta en sentido de las agujas del reloj para ajustarlo. Siempre vuelva a colocar el tapón de combustible bien ajustado en el depósito después de quitarlo.

### ⚠ ADVERTENCIA:

Nunca realice la recarga de combustible en el depósito si el motor está en funcionamiento. Si el motor está caliente por haber funcionado hasta hace poco, déjelo enfriar varios minutos antes de cargar combustible. La gasolina es muy inflamable y podría salpicar el motor y causar un incendio.

## Visor del nivel de combustible (K)

El visor del nivel de combustible está ubicado fuera de la consola del lado izquierdo y muestra el nivel de combustible que queda en el depósito de combustible.

## Palanca de control del acelerador/ cebador o control del acelerador (L)

### Palanca de control del acelerador/ cebador (si está equipada)

Cuando se lo coloca en determinada posición, se mantiene una velocidad de motor uniforme.

- Empuje la manija de control del regulador/cebador hacia adelante para aumentar la velocidad del motor. El tractor está diseñado para que funcione con el control del acelerador/estrangulador en posición de velocidad rápida (aceleración máxima) cuando se conduce el tractor y se engancha la plataforma de la cortadora.

- Tire de la manija de control del



acelerador/estrangulador hacia atrás para reducir la velocidad del motor.

- Cuando arranque el motor, empuje la manija de control totalmente hacia adelante en la posición "CHOKE" (cebador).
- Después de arrancar y calentar el motor, mueva la manija de control hacia atrás hasta que sienta que pasa el bloqueador del estrangulador.

### Control del acelerador (si está equipado)

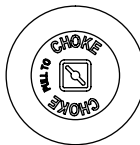
Cuando se lo coloca en determinada posición, se mantiene una velocidad de motor uniforme.

Empuje la manija de control del regulador hacia adelante para aumentar la velocidad del motor. El tractor está diseñado para que funcione con el control del acelerador en posición de velocidad rápida (aceleración máxima) cuando se conduce el tractor y se engancha la plataforma del tractor.

Tire de la palanca de control del acelerador hacia atrás para reducir la velocidad del motor.

### Control del cebador (si está equipado) (M)

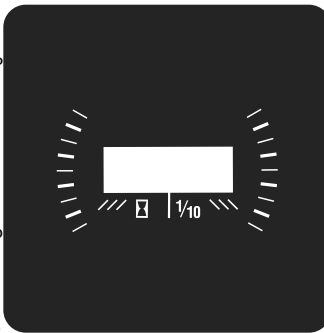
El control del cebador determina la posición del cebador del motor. Tire de la perilla hacia afuera para cebar el motor; empuje la perilla hacia adentro para abrir el cebador.



### Medidor horario (N †)

### LCD avisador de servicio <a> y medidor horario (si está equipado)

Cuando se gira la llave fuera de la posición STOP (detención), pero no hasta la posición de arranque, el LCD avisador de servicio y medidor horario mostrará brevemente la tensión de la batería, seguido de las horas acumuladas del tractor.



**Nota:** Las horas de funcionamiento del tractor se registran cada vez que se gira la llave de encendido de la posición STOP (detención), independientemente de si el motor arranca.

El LCD avisador de servicio le recuerda al operador los intervalos de mantenimiento para el cambio del aceite del motor, el servicio del filtro de aire, las advertencias de bajo nivel de aceite y poca batería.

### Cambiar el aceite

El LCD mostrará las letras "CHG" (cambiar), seguidas de las letras "OIL" (aceite), seguidas de las letras "SOON" (pronto), y luego finalmente seguidas por el tiempo acumulado del medidor. "CHG/OIL/SOON/TIME" se alternarán en la pantalla durante 7 minutos después de que el medidor llegue a 50 horas. Este intervalo del avisador de servicio de aceite se producirá cada 50 horas. Antes de que finalice el intervalo, cambie el de aceite del motor según se indica en este Manual del operador del motor.

### Poco aceite

**Nota:** La función de baja presión de aceite solo funciona si el motor tiene un interruptor de presión de aceite.

Las letras "LO" (nivel bajo) seguidas de las letras "OIL" (aceite), seguidas luego del tiempo acumulado del medidor indicarán que el tractor tiene poca presión de aceite. Esto suele suceder cuando se enciende un

motor. El indicador permanecerá activo hasta que el motor genere suficiente presión después de comenzar. Si el indicador permanece encendido cuando el motor está a máxima velocidad y después de que hayan transcurrido unos pocos minutos de funcionamiento, detenga el tractor de inmediato y controle el nivel de aceite del motor según las instrucciones de este Manual del Proprietario. Si el nivel de aceite es bajo, controle y agregue el aceite como se indica en el Manual del operador del motor. Si el nivel de aceite es correcto y el indicador sigue encendido, comuníquese con un distribuidor de servicio autorizado.

### Batería baja

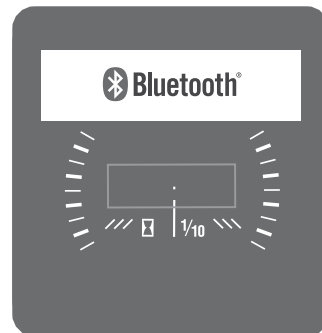
Al arrancar, se visualiza fugazmente el voltaje de la batería y luego cambia a horas acumuladas. Aparecen las letras "LO" (nivel bajo), seguidas de las letras "BATT" (batería), seguidas luego del tiempo acumulado del medidor. "LO/BATT/TIME" se muestra en la pantalla LCD cuando la tensión cae por debajo de 11.5 voltios. Cuando esto ocurre, significa que se debe cargar la batería o que el sistema de carga del motor no genera suficiente amperaje. Cargue la batería como se indica en la sección Cuidado del producto de este manual o haga controlar el sistema de carga por su distribuidor de servicio local.

### Después del mantenimiento del filtro de aire

Aparecen las letras "CLN" (limpiar), seguidas de las letras "AIR" (aire), seguidas por "FILT", seguidas luego del tiempo acumulado del medidor. "CLN/AIR/FILT/TIME" se alternarán en la pantalla durante 7 minutos después de que el medidor llegue a 25 horas. Este intervalo del avisador de servicio del filtro de aire será cada 25 horas. En intervalos comunes con el servicio del aceite, aparece el mensaje del aceite primero seguido por el mensaje del filtro de aire.

### LCD avisador de servicio y medidor horario Bluetooth® (si está equipado)

Conecte su avisador de servicio y medidor horario activado por Bluetooth® a su teléfono inteligente descargando la aplicación para su dispositivo Android o iOS compatible con Bluetooth®.



El panel de instrumentos de mantenimiento automatizado y el registro de la aplicación le ayudarán a mantener la máquina funcionando al máximo rendimiento y a proteger su inversión al mantener un registro total de las horas de uso del equipo durante toda su vida útil.

Reciba notificaciones de alerta cuando llegue el momento de realizar las tareas de mantenimiento esenciales. El panel de instrumentos proporciona supervisión en tiempo real e indica cuándo es el momento de revisar o cambiar el aceite, el filtro de aire, las cuchillas o la batería. La aplicación también le permite ubicar y contactar centros de servicio, acceder a instrucciones paso a paso para realizar mantenimiento de rutina y comprar piezas de repuesto directamente desde su dispositivo móvil.

Simplemente descargue la aplicación y siga las instrucciones rápidas paso a paso sobre cómo sincronizar su dispositivo móvil con el equipo.

### Faros delanteros (no se muestran) (si están equipados)

Los faros delanteros se encuentran en el frente del bastidor. Los faros se encienden (ON) cada vez que se rota la llave de encendido sacándola de la posición STOP (detención). Los faros se apagan (OFF) cuando se coloca la llave de encendido en la posición STOP.



## Funcionamiento

### Seguridad general

- RECIBA LAS INSTRUCCIONES - Lea este manual del operador en su totalidad. Aprenda a usar esta máquina DE MANERA SEGURA. No se arriesgue a quedar expuesto a LESIONES o a la MUERTE. Solamente se debe permitir operar este tractor a quienes se hayan familiarizado a fondo con el uso del mismo.
- Antes de arrancar el motor o de empezar a operar, familiarícese con los controles. El operador debe estar en el asiento del operador. El interruptor de la potencia de arranque (PTO) debe estar en posición desactivada y las palancas de control de transmisión del lado derecho y del lado izquierdo se deben mover totalmente hacia afuera, hasta posición neutra para accionar el freno de mano.
- Mantenga todos los protectores en su lugar. Manténgase alejado de las piezas móviles.
- ¡NO SE PERMITE TRASLADAR PERSONAS EN EL TRACTOR! Mantenga a todas las personas y las mascotas a una distancia segura de la máquina. Siempre mire hacia atrás y hacia abajo a ambos lados del tractor antes de desplazarse marcha atrás.
- NO oriente la descarga de la cortadora hacia la gente.
- En lo posible, evite las pendientes. Nunca opere en pendientes mayores de 15°. Las pendientes con mayor inclinación presentan condiciones de operación peligrosas. Los tractores pueden voltearse.
- Antes de dejar el asiento del operador: Desconecte la toma de fuerza (PTO), mueva las palancas de control de la transmisión del lado derecho y del lado izquierdo totalmente hacia afuera en posición neutra, apague el motor y quite la llave de encendido. Antes de realizar el mantenimiento o la limpieza de la máquina, espere hasta que cese totalmente el movimiento.
- Opere las palancas de control de la transmisión de forma pareja y evite realizar movimientos bruscos con las mismas al arrancar y detenerse. Sujete bien las palancas de control.
- Sea cuidadoso al operar cerca de rutas. Detenga el movimiento del tractor y espere a que pasen los vehículos antes de operar a lo largo de la ruta.
- No haga funcionar el tractor sin la plataforma de la cortadora. Si se quita la plataforma varía el equilibrio del tractor y éste podría voltearse.
- Evite operar en superficies de tracción inestables; tenga extrema precaución si la superficie es resbaladiza.
- Reduzca la velocidad antes de girar y deténgase completamente antes de cualquier maniobra de giro cero.
- No detenga ni estacione el tractor sobre materiales combustibles tales como pasto u hojas secas, desechos, etc.
- No llene el depósito de combustible con el motor en funcionamiento o si el mismo está caliente. Deje enfriar el motor varios minutos antes de la recarga de combustible. Apriete el tapón de combustible con firmeza.

### Antes de hacer funcionar el tractor

- Antes de hacer funcionar el tractor, lea este manual con atención para familiarizarse con el funcionamiento de todos los instrumentos y controles. El manual se preparó con la finalidad de ayudarlo a hacer funcionar y mantener el tractor eficientemente.
- Se certifica que este motor funciona únicamente con gasolina normal sin plomo, nueva y limpia. Para obtener el mejor resultado, llene el depósito de combustible únicamente con gasolina sin plomo limpia y fresca, en un surtidor que indique un octanaje igual a 87 o más.
- Se recomienda el uso de gasolina sin plomo porque deja menos depósitos en la cámara de combustión y reduce las emisiones de escape perjudiciales. No se recomienda el uso de gasolina con plomo; no se la debe usar en los lugares en los cuales las emisiones de escape se encuentran reguladas.

**Nota:** Compre gasolina en pequeñas cantidades. No use gasolina que haya quedado de la

temporada anterior, para minimizar la formación de depósitos de caucho en el sistema de combustible.

- El gasohol (hasta 10% de alcohol etílico, 90% de gasolina sin plomo por volumen) es un combustible aprobado. No se aprueba el uso de otras mezclas de gasolina/alcohol.
- El éter metílico terciario-butílico (MTBE) y las mezclas de gasolina sin plomo (hasta un máximo de 15% de MTBE por volumen) son combustibles aprobados. No se aprueba el uso de otras mezclas de gasolina/éter.
- Revise el nivel de aceite del motor.
- Limpie el filtro de aire si es necesario.
- Controle la presión de inflado de los neumáticos.
- Ajuste el asiento para la mayor comodidad del operador, para una adecuada visibilidad y para mantener el control completo del tractor.

### Sistema de bloqueo de seguridad

Este tractor está equipado con un sistema de bloqueo de seguridad para protección del operador. Si el sistema de interbloqueo funciona mal, no se debe hacer funcionar el tractor. Comuníquese con un distribuidor de servicio autorizado.

- El sistema de bloqueo de seguridad impide que el motor arranque o se encienda a menos que esté accionado el freno de mano y la palanca de toma de fuerza (PTO) esté en posición desactivada (OFF).
- Si el operador abandona su asiento antes de poner el freno de mano, el motor se APAGARÁ automáticamente.
- El motor se apagará automáticamente si el operador abandona el asiento del tractor con la palanca de la toma de fuerza (PTO) en la posición de activación (ON), independientemente de si el freno de mano está puesto o no.
- Con la llave en la posición MODO DE CORTE NORMAL/FUNCIONAMIENTO, la PTO se desactivará automáticamente si la palanca de la PTO se mueve hasta la posición de activación (ON) con las palancas de control de la transmisión en posición para desplazamiento marcha atrás.

#### ⚠ ADVERTENCIA

No opere el tractor cortacésped si el sistema de enclavamiento funciona mal. El sistema fue diseñado para brindarle seguridad y protección.

### Arranque del motor

#### ⚠ ADVERTENCIA

Por razones de seguridad personal, el operador debe estar sentado en el asiento del tractor al arrancar el motor.

- El operador debe estar sentado en el asiento del tractor con las palancas de control de la transmisión totalmente hacia afuera, en la posición neutra, para accionar el freno de mano. Consulte la Figura 3-2.

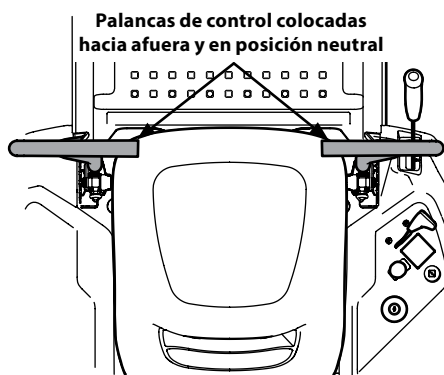


Figura 3-2

- Asegúrese de que la toma de fuerza esté en la posición OFF (apagado). Mueva el control del acelerador/estrangulador a la posición máxima del estrangulador. Mueva el control del regulador a distancia media entre las posiciones velocidad lenta y velocidad rápida en modelos con control de cebador independiente.

**Nota:** Si el motor está caliente, tal vez no sea necesario cebar el motor.

- Gire la llave hacia la derecha a la posición ARRANQUE. Una vez que arranque el motor, suelte la llave. Volverá a la posición NORMAL MOWING/ RUN (corte normal/funcionamiento).

#### ⚠ PRECAUCIÓN

NO mantenga la llave en la posición START (arranque) durante más de diez segundos por vez. Si lo hace, puede ocasionar daños al arrancador eléctrico del motor.

- Cuando se calienta el motor, tire gradualmente de la palanca de control del acelerador/estrangulador hacia atrás pasando la posición de detención del estrangulador o, en modelos con un estrangulador separado, desenganche lentamente el estrangulador. No use la posición del estrangulador para enriquecer la mezcla de combustible, a menos que sea necesario para arrancar el motor.
- Deje que el motor funcione unos cuantos minutos a una aceleración intermedia antes de someterlo a la carga.
- Observe el medidor horario/panel indicador. Si se enciende la luz del indicador de batería o de presión de aceite, detenga el motor inmediatamente. Haga que su distribuidor autorizado inspeccione el tractor.

### Arranque del motor en clima frío

Al arrancar el motor a temperaturas cercanas o inferiores al punto de congelamiento, asegúrese de que se use aceite de motor de viscosidad correcta y que la batería tenga carga completa. Arranque el motor de la siguiente forma:

- Asegúrese de que la batería se encuentre en buen estado. Una batería caliente tiene una capacidad de arranque mucho mayor que una batería fría.
- Use combustible fresco para uso invernal. La gasolina para uso invernal tiene mayor volatilidad a los efectos de mejorar el arranque. No use gasolina que le haya quedado del verano.
- Siga las instrucciones previas para Arrancar el motor.

### Uso los cables de arranque para encender el motor

#### ⚠ ADVERTENCIA

Las baterías contienen ácido sulfúrico y producen gases explosivos. Asegúrese de que el área esté bien ventilada, use guantes y protectores de ojos y evite chispas o llamas cerca de la batería.

Si la carga de la batería no es suficiente para dar arranque al motor, vuelva a cargar la batería. Si no dispone de un cargador de batería y debe arrancar el tractor, puede ser necesario usar una batería de urgencia. Conecte la batería de urgencia de la siguiente forma:

- Conecte el extremo de un cable al borne positivo de la batería del tractor que no funciona; luego conecte el otro extremo de ese cable al borne positivo de la batería de urgencia.
- Conecte un extremo del otro cable al borne negativo de la batería de urgencia; luego conecte el otro extremo de ese cable al marco del tractor que no funciona, a la mayor distancia posible de la batería.
- Arranque el tractor que no funciona según las instrucciones de arranque normales indicadas más arriba; luego desconecte los cables de puente en orden exactamente inverso al de la conexión.

- Haga controlar y reparar el sistema eléctrico del tractor lo más pronto que fuere posible, para eliminar la necesidad de usar cables de puente para arrancarlo.

### Detención del motor

- Desconecte la PTO.
- Mueva las palancas de control de transmisión derecha e izquierda totalmente hacia afuera, hasta la posición neutral, para aplicar el freno de mano.
- Mueva el control del acelerador a distancia media entre las posiciones Velocidad lenta y Velocidad rápida.
- Gire la llave a la posición STOP (parada) y quite la llave del módulo de encendido.

**Nota:** Siempre quite la llave del módulo de encendido para evitar el arranque accidental o la descarga de la batería si el equipo queda sin supervisión.

### Practique el modo de operación con el tractor (uso inicial)

Operar un tractor con radio de giro cero no es lo mismo que operar un tractor convencional. Si bien precisamente un tractor con radio de giro cero es más maniobrable, es necesario practicar la operación de las palancas de control de la transmisión para acostumbrarse a las mismas.

Se recomienda enfáticamente que encuentre un "área de práctica" de superficie razonable, nivelada y abierta, en la cual no haya obstrucciones, peatones ni mascotas. Debe practicar la operación del tractor durante 30 minutos por lo menos.

Lleve (o haga que alguien lleve) el tractor al área de práctica con cuidado. Cuando esté practicando, la PTO no debe estar activada. Mientras practica, haga funcionar el tractor a aproximadamente  $\frac{1}{2}$ - $\frac{3}{4}$  de aceleración y a menos de la velocidad máxima, tanto en marcha adelante como en marcha atrás.

Ejercite cuidadosamente las maniobras con el tractor, usando las instrucciones de la sección siguiente "Conducción del tractor". Practique hasta que se sienta confiado de poder manejar el tractor con seguridad.

### Conducción del tractor

#### ADVERTENCIA

Evite arrancar súbitamente, desarrollar excesiva velocidad y parar inesperadamente.

- Ajuste el asiento del operador a la posición más cómoda que le permita operar los controles. Consulte la forma de hacerlo en la sección Montaje y Configuración.
- Mueva las palancas de control de transmisión del lado derecho y del lado izquierdo hacia adentro, en posición neutra, lo cual desactiva también el freno de mano. Consulte la Figura 3-3.



Figura 3-3

**Nota:** Las barras de seguridad se deben mover totalmente hacia adentro antes de empujar hacia adelante o hacia atrás a fin de asegurarse de que los frenos estén totalmente liberados. Si estaciona el tractor en un terreno desparejo o en una colina, esto puede hacer que los frenos se agarren y no se suelten por completo. En este caso, el tractor no se desplazará cuando se muevan las barras de seguridad. Si esto ocurre, mueva la barra de seguridad en la dirección opuesta levemente para quitar la carga de los frenos y permitir que estos se liberen completamente.

**Nota:** Si las palancas de control no están niveladas en posición neutral, consulte la Sección Mantenimiento y Ajustes para ajustar las palancas de manera que queden niveladas.

- Mueva el acelerador a la posición de aceleración máxima.

**Nota:** Si bien el motor del tractor se ha diseñado para funcionar a máxima aceleración, cuando practica el tractor debe funcionar a menos del máximo. Esto se aplica únicamente al funcionamiento del motor durante la práctica.

#### ADVERTENCIA

Siempre sujete las palancas de control con firmeza. NO suelte las palancas de control para desplazarse más despacio o para detener el tractor; lleve las palancas a la posición neutral con las manos.

- Para conducir el tractor, tome firmemente las palancas de control de la transmisión respectivas con las manos derecha e izquierda y proceda con Conducción del Tractor marcha adelante, según las instrucciones de la siguiente sección.

### Conducción del tractor hacia adelante

#### ADVERTENCIA

Todos los movimientos de las palancas de control deben ser lentos y suaves. El movimiento abrupto de las palancas de control puede afectar la estabilidad del tractor y podría hacer que el tractor vuelque, con el resultado de lesiones graves o incluso la muerte del operador.

- Mueva las palancas de control lenta y suavemente hacia adelante. El tractor comenzará a desplazarse hacia adelante. Consulte la Figura 3-4.

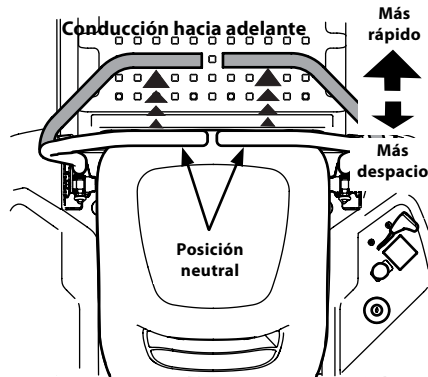


Figura 3-4

- A medida que las palancas de control de la transmisión se empujan más hacia adelante, aumenta la velocidad del tractor.
- Para que el tractor se desplace más lentamente, mueva la palanca de control de la transmisión hacia atrás hasta alcanzar la velocidad deseada, o coloque las palancas en la posición neutral para detener el tractor.

#### ADVERTENCIA

Siempre tome y sujete las palancas de control con firmeza. No suelte las palancas para que el tractor se desplace con mayor lentitud ni para volver a posición neutral.

### Giro con el tractor en marcha adelante

#### ADVERTENCIA

Al invertir la dirección del desplazamiento, le recomendamos que en lo posible realice giros graduales en "U". Los giros más agudos aumentan la posibilidad de que se deteriore el césped y podrían afectar el control del tractor. Conduzca SIEMPRE el tractor lentamente antes de girar en curvas cerradas.

Para que el tractor gire mientras se desplaza hacia adelante, mueva las palancas de control de la transmisión según sea necesario para que una palanca de control de la transmisión quede más atrás que la otra. El tractor girará en la dirección de la palanca que queda más atrás.

- Para girar a la izquierda, mueva la palanca de control del lado izquierdo hacia atrás respecto de la palanca derecha. Consulte la Figura 3-5.

#### Giro a la izquierda hacia adelante

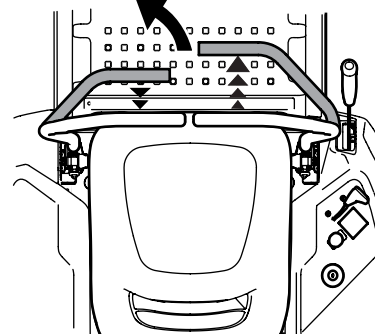


Figura 3-5

- Para girar a la derecha, mueva la palanca de control del lado derecho hacia atrás respecto de la palanca izquierda. Consulte la Figura 3-6.

#### Giro a la derecha hacia adelante

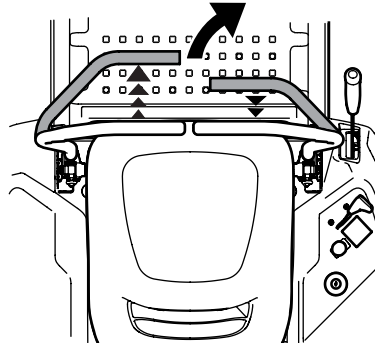


Figura 3-6

- Cuanto mayor sea la distancia entre las dos palancas, más cerrado será el giro que dará el tractor.
- Para realizar un "giro de pivote", mueva la palanca de control del lado de giro a la posición neutra, mientras mueve la otra palanca de control hacia adelante.

**Nota:** Los "giros de pivote" sobre el pasto aumentan significativamente el potencial de que se deteriore el césped.

## Conducción del tractor en marcha atrás

### ⚠ ADVERTENCIA

Siempre mire hacia atrás y hacia abajo a ambos lados del tractor antes de desplazarse marcha atrás. Siempre mire hacia atrás cuando se desplaza en marcha atrás.

1. Mueva las dos palancas de control lenta y suavemente hacia atrás. El tractor comenzará a moverse hacia atrás. Consulte la Figura 3-7.

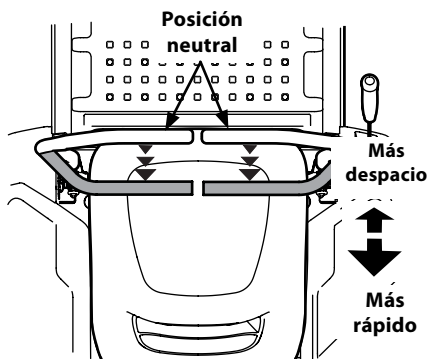


Figura 3-7

2. A medida que las palancas de control de la transmisión se empujan más hacia atrás, aumenta la velocidad del tractor.
3. Para que el tractor se desplace más lentamente, mueva la palanca de control de la transmisión hacia adelante hasta alcanzar la velocidad deseada, o coloque las palancas en la posición neutral para detener el tractor.

## Realizar un giro mientras se conduce marcha atrás

Para que el tractor gire mientras se desplaza hacia atrás, mueva las palancas de control de la transmisión según sea necesario para que una palanca de control de la transmisión quede más adelante que la otra. El tractor girará en la dirección de la palanca control de la transmisión de marcha hacia adelante.

1. Para girar a la izquierda mientras se desplaza marcha atrás, mueva la palanca de control del lado izquierdo hacia adelante respecto de la palanca derecha. Consulte la Figura 3-8.

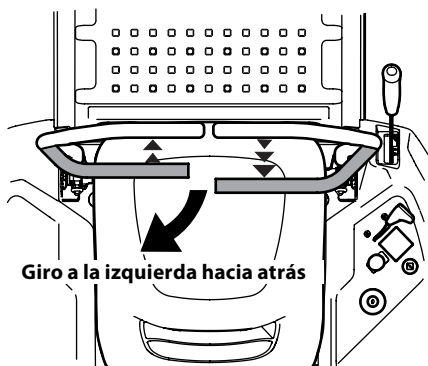


Figura 3-8

2. Para girar a la derecha mientras se desplaza marcha atrás, mueva la palanca de control del lado derecho hacia adelante respecto de la palanca izquierda de control de la transmisión. Consulte la Figura 3-9.

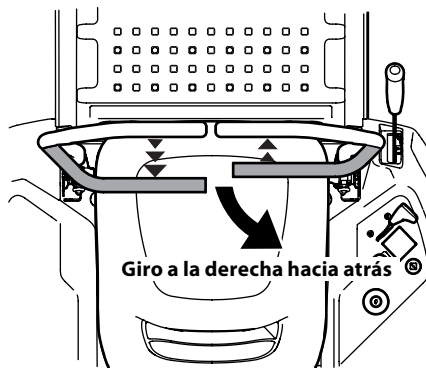


Figura 3-9

3. Cuanto mayor sea la distancia entre las dos palancas de control de la transmisión, más cerrado será el giro que dará el tractor.
4. Para realizar un "giro de pivote", mueva la palanca de control del lado de giro a la posición neutral, mientras mueve la otra palanca de control de la transmisión hacia atrás.

**Nota:** Los "giros de pivote" sobre el pasto aumentan significativamente el potencial de que se deteriore el césped.

## Modo precaución marcha atrás (si está equipado)

La posición MODO MARCHA ATRÁS CON PRECAUCIÓN del módulo de encendido permite operar el tractor marcha atrás con la (PTO) de las cuchillas activada.

**Nota:** No se recomienda cortar el césped en marcha atrás.

### ⚠ ADVERTENCIA

Tenga mucho cuidado cuando opere el tractor en MODO DE PRECAUCIÓN EN MARCHA ATRÁS . Mire siempre hacia abajo y detrás de usted antes y durante la marcha atrás. No haga funcionar el tractor cuando haya niños u otras personas cerca. Detenga el tractor inmediatamente si alguien se acerca.

Para utilizar el MODO PRECAUCIÓN MARCHA ATRÁS .

**Nota:** El operador DEBE estar sentado en el asiento del tractor.

1. Ponga en marcha el motor como se indicó previamente.
2. Gire la llave de la posición CORTE NORMAL (a) a la posición MODO DE PRECAUCIÓN EN MARCHA (b) del módulo de encendido. Vea Figura 3-10.

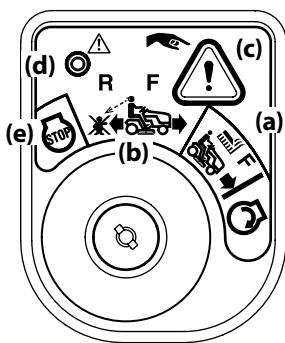


Figura 3-10

3. Oprima el BOTÓN DE MARCHA ATRÁS (c) en el ángulo superior derecho del módulo de encendido. La luz indicadora roja (d) que está en el ángulo superior izquierdo del módulo de encendido se mantendrá ENCENDIDA mientras esté activada. Consulte la Figura 3-10.
4. Una vez activada (luz indicadora ENCENDIDA), el tractor podrá operar en marcha atrás con las cuchillas de corte (PTO) engranadas.
5. Siempre mire hacia abajo y hacia atrás antes y mientras opera en marcha atrás, para asegurarse de que no haya niños en el área. Luego de volver a desplazarse hacia adelante, vuelva la llave a la posición de CORTE NORMAL (a).
6. El MODO PRECAUCIÓN MARCHA ATRÁS (b) permanece activado hasta que:
  - a. La llave se coloca ya sea en la posición CORTE NORMAL (a) o en la posición STOP (d) (detención) (e) o bien
  - b. El operador abandona el asiento.

## Giro de radio cero

### ⚠ ADVERTENCIA

Para realizar un giro de radio cero, el tractor SE DEBE DETENER. La realización de un giro de radio cero con el tractor en movimiento puede reducir significativamente el grado de control que se tenga sobre el mismo, y dará lugar a un grave deterioro del césped.

1. Detenga el movimiento del tractor hacia adelante o hacia atrás colocando las dos palancas de control en punto muerto.
2. Para girar en el sentido de las agujas del reloj, mueva la palanca de control de la transmisión izquierda hacia adelante mientras mueve simultáneamente la palanca de control de la transmisión derecha hacia atrás. Consulte la Figura 3-11.

## Giro de radio cero hacia la derecha

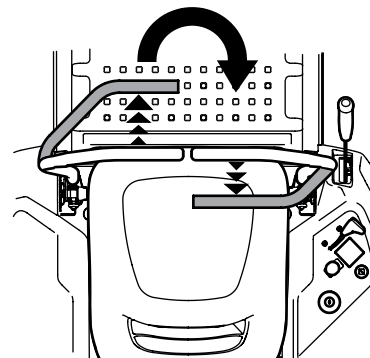


Figura 3-11

3. Para girar en sentido contrario a las agujas del reloj, mueva la palanca de control de la transmisión derecha hacia adelante mientras mueve simultáneamente la palanca de control de la transmisión izquierda hacia atrás. Consulte la Figura 3-12.

## Giro de radio cero en el sentido contrario a las agujas del reloj

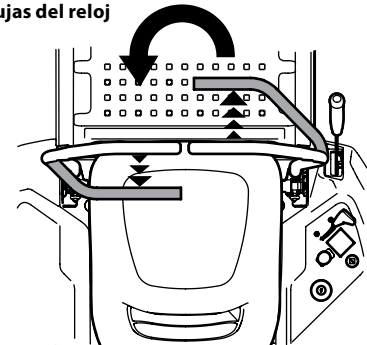


Figura 3-12

## Detención del tractor

1. Mueva las dos palancas de control a la posición neutral para detener el movimiento del tractor.
2. Empuje la PTO hacia abajo, hasta la posición OFF (apagado).
3. Use la manija de elevación de la plataforma para levantar la plataforma a su posición más alta.
4. Si desea bajarse del tractor, mueva las palancas de control de la transmisión totalmente hacia afuera hasta la posición neutra, lo cual también acciona el freno de mano, mueva la palanca de control del acelerador a la posición de velocidad rápida, gire la llave hasta la posición STOP (parada) y retire la llave del módulo de encendido.

### ⚠ ADVERTENCIA

No abandone el asiento del tractor sin desenganchar la toma de fuerza (PTO) y sin colocar las palancas de control de la transmisión totalmente hacia afuera en posición neutra/con el freno de mano aplicado. Si deja el tractor sin vigilancia, apague el motor girando la llave de contacto y retírela.

## Conducción en pendientes

Consulte la información sobre el indicador de pendiente en la Medidas de seguridad importantes para determinar en qué pendientes no puede operar el tractor de manera segura.

### ⚠ ADVERTENCIA

No use el tractor cortacésped en pendientes con una inclinación de más de 15 grados (elevación aproximada de 2-½ ft por cada 10 ft). El tractor podría darse vuelta y causar lesiones graves.

1. Siempre conduzca el tractor de forma transversal a la pendiente, nunca hacia arriba y hacia abajo. Controle la velocidad y la dirección del tractor usando principalmente la palanca de control de la transmisión del lado del tractor que queda 'cuesta abajo', mientras que la palanca de control de la transmisión del lado 'cuesta arriba' permanece esencialmente fija.
2. En lo posible evite girar cuesta abajo. Comience en la base de la pendiente y opere cuesta arriba. Siempre reduzca la velocidad antes de dar la vuelta.
3. Ponga especial cuidado y conduzca lentamente al girar cuesta abajo.

## Conexión de la toma de fuerza (PTO)

### Tractores con PTO eléctrica

Al conectar la potencia de arranque (PTO) se suministra alimentación a la plataforma de corte o a otros accesorios (disponibles por separado). Para conectar la PTO:

1. Mueva el control del acelerador a la posición FAST (rápida).
2. Tire del interruptor de la PTO (a) hacia arriba/afuera a la posición de activación (ON). Consulte la Figura 3-13.

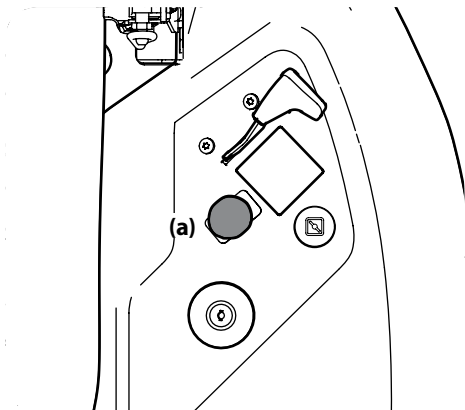


Figura 3-13

**Nota:** Cuando haga funcionar el tractor asegúrese de que el acelerador esté siempre en la posición FAST (rápida). Funcionar con el acelerador a menos de máxima velocidad puede acortar la vida útil de la batería producir un corte de mala calidad.

3. Para desactivar la PTO, presione el interruptor de la PTO (a) para abajo/adentro a la posición de desactivación (OFF).

### Tractores con PTO manual

Al conectar la potencia de arranque (PTO) se suministra alimentación a la plataforma de corte o a otros accesorios (disponibles por separado). Para conectar la PTO:

1. Mueva el control del acelerador a la posición FAST (rápida).
2. Empuje la palanca de la PTO (a) hacia adelante y hacia la hasta la posición de bloqueo derecha, hasta la posición activada (ON). Consulte la Figura 3-14.

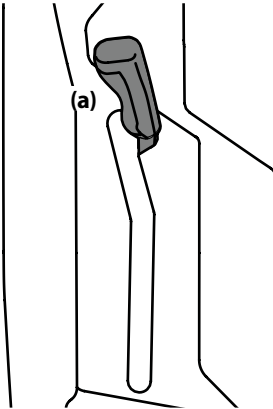


Figura 3-14

**Nota:** Cuando haga funcionar el tractor asegúrese de que el acelerador esté siempre en la posición FAST (rápida). El funcionamiento con el acelerador a menos de máxima velocidad puede acortar la vida útil de la batería producir un corte de mala calidad.

3. Para desactivar la PTO, mueva la palanca de la PTO desde la posición de bloqueo hacia atrás posición, hasta la posición de desbloqueo (OFF).

## Corte de césped

### ⚠ ADVERTENCIA

Para ayudar a evitar el contacto con las cuchillas o una lesión por algún objeto que sea arrojado, mantenga a las personas que lo observan, a los ayudantes, niños y mascotas alejados al menos 25 metros de la máquina mientras está en funcionamiento. Pare la máquina si alguien ingresa a la zona.

### ⚠ ADVERTENCIA

Asegúrese de que el área donde se va a cortar esté libre de desechos, ramitas, piedras, cables u otros objetos que puedan ser arrojados por las cuchillas rotativas.

**Nota:** No enganche la plataforma de la cortadora cuando esté baja sobre el pasto. Se produce el desgaste prematuro y la posible falla de la correa en "V" y del embrague de la PTO. Antes de activar la plataforma de corte, levante totalmente la plataforma o lleve la máquina a un área donde no haya césped.

- Corte de forma transversal a la pendiente, no hacia arriba ni hacia abajo. Si corta el césped en pendiente, comience por la base y desplácese hacia arriba para asegurar que siempre se gire cuesta arriba.
- No corte a alta velocidad absoluta, especialmente si tiene instalado un kit de abono o un colector de césped.
- No corte el césped demasiado corto. El césped corto fomenta el crecimiento de maleza y se pone amarillo rápidamente cuando escasea la lluvia.
- Siempre haga funcionar el tractor con el regulador en la posición RÁPIDA (liebre) mientras corta el césped.

- Al realizar la primera pasada elija un punto del lado opuesto del área a cortar.
- Active la toma de fuerza (PTO) y mueva el control del acelerador/cebador a la posición FAST (velocidad rápida).
- Baje la plataforma de corte al ajuste de altura deseado usando la manija de elevación.
- Para obtener los mejores resultados, se recomienda realizar las dos primeras vueltas de corte con la descarga hacia el centro. Después de las dos primeras pasadas, cambie la dirección para arrojar la descarga hacia afuera, para equilibrar el corte. Esto otorgará un mejor aspecto al césped.

**Empuje** las palancas de control derecha e izquierda lentamente y de forma pareja hacia adelante para que el tractor avance hacia adelante, y mantenga la orientación del tractor en línea recta hacia el punto de alineación. Nota: La velocidad del tractor afecta la calidad del corte que realiza la cortadora. Si realiza el corte a máxima velocidad la calidad se ve afectada negativamente. Controle la velocidad absoluta con las palancas de control.

- NO intente cortar malezas frondosas o césped extremadamente alto. El tractor fue diseñado para cortar el césped, NO para podar malezas.
- Mantenga las cuchillas afiladas y cámbielas cuando se gasten.
- Cuando se acerque al otro extremo de la franja, reduzca la velocidad o deténgase antes de girar. Se recomienda realizar un giro en U a menos que sea necesario realizar un giro de radio cero.
- Alinee la cortadora de césped con un borde de la franja cortada y superponga la pasada aproximadamente 3 pulgadas.
- Oriente el tractor en cada franja subsiguiente de modo que se alinee con la franja ya cortada.
- Para evitar la formación de surcos o ranuras en el césped, en lo posible varíe la dirección de las franjas de corte aproximadamente 45° en cada corte subsiguiente.

### ⚠ ADVERTENCIA

Tenga sumo cuidado al atravesar senderos de grava o caminos de acceso. Desactive la PTO y levante la plataforma hasta la posición más alta antes de cruzar.

**Nota:** Cuando detenga el tractor por cualquier motivo sobre el césped, siempre:

- Coloque las palancas de control de la transmisión en la posición neutral/con freno de mano aplicado,
- Apague el motor y retire la llave.
- Eso reducirá al mínimo la posibilidad de "quemar" el césped con el escape caliente del motor en funcionamiento del tractor cortacésped.

## Control de los circuitos de bloqueo de seguridad

Controle periódicamente los circuitos de bloqueo de seguridad para estar seguro de que funcionan adecuadamente. Si algún circuito de seguridad no funciona según el diseño, póngase en contacto con el distribuidor para que inspeccione el tractor. NO use el tractor si algún circuito de seguridad no está funcionando adecuadamente. Para controlar los circuitos de seguridad proceda de la siguiente manera:

1. Tire de la PTO hacia arriba, hasta la posición de activación. Gire el interruptor de encendido a la posición START (arranque) momentáneamente; el motor no debería intentar arrancar.
2. Mueva las dos palancas de control totalmente hacia adentro hasta la posición neutra; luego levántelas desde el asiento del operador. El motor debe dejar de funcionar.
3. Con las dos palancas de control totalmente hacia afuera en la posición neutral/con el freno de mano aplicado, active la PTO. Levántelas desde el asiento del operador; el motor se debe detener.
4. Arranque el tractor y mueva las palancas de control hacia adentro hasta la posición neutra. Active la PTO y mueva ambas palancas de control lentamente hasta la posición de marcha atrás lenta; con la llave en la posición NORMAL MOWING/RUN (corte normal/funcionamiento); la PTO debería desactivarse y la plataforma de la cortadora debería detenerse.

## Programa de mantenimiento

	Antes de cada uso	Después de las primeras 5 horas	Cada 10 horas	Cada 25 horas	Cada 50 horas	Cada 100 horas	Antes de almacenar	Consulte el Manual del motor
Controle el nivel de aceite del motor	✓							
Verifique y limpie las ranuras de enfriamiento de la transmisión	✓						✓	
Revise si el filtro de aire está sucio, flojo o tiene piezas dañadas	✓							
Limpie los bornes de la batería			✓				✓	
Engrase todos los puntos de lubricación			✓				✓	
Revise el filtro de admisión/limpie si corresponde			✓				✓	
Revise las cuchillas/afile o reemplace si corresponde			✓				✓	
Revise la presión de los neumáticos			✓				✓	
Revise/limpie la parte de abajo de la plataforma			✓					
Inspeccione y lubrique las ruedas de la plataforma				✓			✓	
Revise el nivel/inclinación de la plataforma				✓			✓	
Revise las correas y poleas viendo se están dañadas/gastadas					✓			
Compruebe que todos los elementos de ferretería están en su lugar y asegurados						✓		
Controle el estado y la separación de la bujía de encendido						✓	✓	✓
Cambio del aceite de asentamiento del motor		✓						✓
Cambiar aceite del motor					✓		✓	✓
Reemplace el filtro de aceite					✓		✓	✓
Limpie o cambie el filtro de aire					✓			✓
Reemplace el filtro de combustible					✓			✓
Haga revisar y ajustar la holgura de la válvula *								✓

\* -- Solicite a un distribuidor de servicio autorizado que realice este servicio

**Nota:** Este manual de operación corresponde a varios modelos. Las características del tractor pueden variar según los modelos. No todas las características que se incluyen en este manual se aplican a todos los modelos de tractor y la máquina que se ilustra aquí puede diferir de la suya.

## Solución de Problemas

### Excesiva vibración

- Cuchilla de corte floja o descentrada.
  - Apriete la cuchilla y el husillo.
- Cuchilla de corte dañada o doblada.
  - Reemplace la cuchilla.

### Corte irregular

- La plataforma no está correctamente nivelada.
  - Haga un ajuste de la plataforma de lado a lado.
- Cuchilla desafilada.
  - Afile o cambie la cuchilla.
- Presión de neumáticos desigual.
  - Verifique la presión de los cuatro neumáticos.

### El tractor no realiza abono con los recortes de césped (si está equipado con el kit de abono)

- La velocidad del motor es demasiado lenta.
  - Coloque el control del acelerador en la posición FAST (velocidad rápida) (representada con una liebre).
- Pasto mojado.
  - No procese abono cuando el pasto está mojado.
- Pasto demasiado alto.
  - Corte una vez a una altura de corte elevada y luego vuelva a realizar el corte a la altura deseada, o siga una ruta de corte más estrecha.
- Cuchilla desafilada.
  - Afile o cambie la cuchilla.

## Mantenimiento

### ⚠ ADVERTENCIA

Antes de realizar tareas de mantenimiento o reparaciones, desconecte la toma de fuerza (PTO), mueva las palancas de control totalmente hacia afuera hasta la posición de punto muerto, coloque el freno de mano, apague el motor y retire la llave, para evitar el encendido accidental del motor.

### Motor

Consulte las instrucciones y procedimientos de mantenimiento del motor en el Manual del Operador del motor.

### Cambio del aceite del motor

### ⚠ ADVERTENCIA

Si el motor ha estado en funcionamiento recientemente, el motor, el silenciador y las superficies metálicas circundantes estarán calientes y pueden causar quemaduras en la piel. Tenga precaución para evitar quemaduras.

**NOTA:** El filtro de aceite se debe cambiar en cada intervalo de cambio de aceite. Para realizar el cambio de aceite, proceda de la siguiente manera:

- Haga funcionar el motor por un período corto para que el aceite del motor se caliente. El aceite fluirá mejor y limpiará las impurezas. Tenga cuidado y evite quemarse con el aceite caliente.
- Ubique la manguera de drenaje de aceite a un costado del motor

- Para recoger el aceite usado, coloque un recipiente adecuado para recolectar el aceite, con al menos una capacidad de 2.5 cuartos de galón, debajo de la abertura del tubo de drenaje de aceite. Retire el tapón de llenado de aceite/la varilla de nivel de aceite del tubo de llenado.
- El motor puede estar equipado con un orificio de drenaje de aceite de girar y tirar (consulte la Figura 4-1 y vaya al Paso 5) o con un tapón extraíble para manguera de drenaje de aceite (consulte la Figura 4-2 y vaya al Paso 6). Siga las instrucciones aplicables para su tractor.

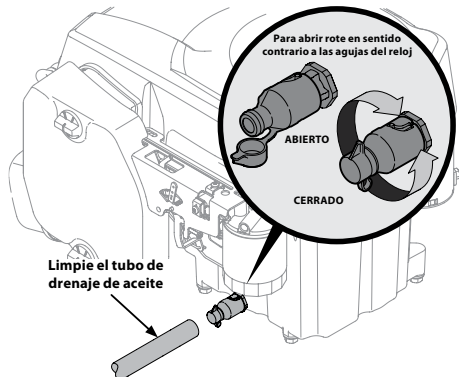


Figura 4-1

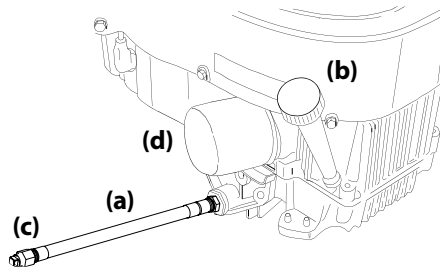


Figura 4-2

- Orificio de drenaje de aceite de girar y tirar (consulte la Figura 4-1):
  - Abra el tapón protector del extremo de la válvula de drenaje para visualizar el orificio de drenaje
  - Retire el tapón de llenado de aceite/ la varilla de nivel de aceite del tubo de llenado.
  - Presione el tubo de drenaje de aceite (que acompaña este manual) sobre el orificio de drenaje. Coloque el extremo libre de la manguera en un recipiente de recolección de aceite adecuado con una capacidad de por lo menos 2,5 cuartos de galón para recoger el aceite usado. Algunos modelos están equipados con una ranura (a) en el lado izquierdo del bastidor para dirigir el drenaje de aceite a través de esta. Vea Figura 4-3.

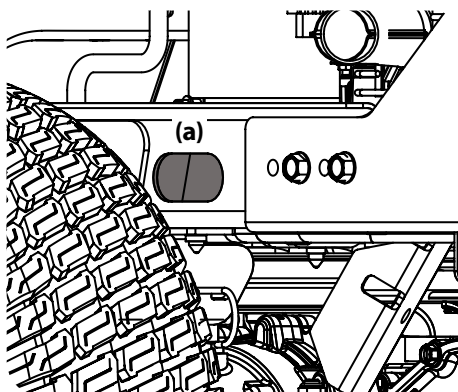


Figura 4-3

- El motor está equipado con un orificio de drenaje de girar y tirar. Gire la válvula de drenaje de aceite ¼ de vuelta hacia la izquierda, luego tire hacia afuera para comenzar a drenar el aceite. Cuando haya terminado de drenar el aceite, empuje el extremo de la válvula de drenaje de aceite hacia adentro y gírela ¼ de vuelta para colocarla nuevamente en su lugar. Vuelva a colocar la tapa del extremo de la válvula para evitar que entren residuos en el orificio de drenaje.
  - Prosiga con el paso 7.
- Manguera de drenaje de aceite extraíble (consulte Figura 4-2):
    - Mientras sostiene el extremo libre de la manguera de drenaje de aceite (a) sobre el recipiente de recolección de aceite, desatornille el tapón de cabeza cuadrada (c) del extremo de la manguera (a). Consulte la IFigura 4-2. Drene el aceite del motor dentro del recipiente.
    - Una vez que haya drenado el aceite, limpie el aceite residual de la manguera de drenaje (a). Enrosque el tapón de cabeza cuadrada de la manguera (c) en la manguera de drenaje de aceite (b) y apriete el tapón de cabeza cuadrada de la manguera (c) por completo.
    - Continúe con el Paso 7:
  - Vuelva a colocar el filtro de aceite y cargue el motor con aceite nuevo según las instrucciones del Manual del operador del motor.
  - Para cargar el aceite, vuelva a colocar el tapón en el extremo del tubo y consulte el Manual del operador del motor para obtener instrucciones de recarga, el tipo de aceite y cantidad.

**NOTA:** Coloque una toalla absorbente debajo del filtro de aceite para mantener el aceite fuera del embrague.

**NOTA:** el mantenimiento, la reparación o el reemplazo de los dispositivos y los sistemas del control de emisiones, que corre por cuenta del cliente, puede realizarlo cualquier establecimiento o individuo especializado en reparaciones de motores. **Los arreglos en garantía deben ser realizados por distribuidor autorizado.**

### Limpieza de las ranuras de enfriamiento de la transmisión

Mantenga ambos lados de las ranuras de enfriamiento de la transmisión ubicadas en el bastidor, entre el motor y la caja del asiento, libres de recortes de césped y de hojas. Consulte Figura 4-4.

### ⚠ ADVERTENCIA

Si el motor ha estado en funcionamiento recientemente, el motor, el silenciador y las superficies metálicas circundantes estarán calientes y pueden causar quemaduras en la piel. Tenga precaución para evitar quemaduras.



Figura 4-4

## Lubricación

### ⚠ ADVERTENCIA

Antes de lubricar, reparar o inspeccionar, desconecte la toma de fuerza (PTO), ponga el freno de mano, pare el motor y retire la llave, para evitar el encendido accidental del motor.

- Con una pistola de lubricación a presión, lubrique los ejes de las ruedas pivotantes delanteras con grasa cada 10 horas de servicio.
- Lubrique periódicamente todos los otros puntos de pivote con un aceite lubricante de calidad.

## Uso del sistema de lavado de la plataforma

### ⚠ ADVERTENCIA

Cuando use el sistema de lavado de la plataforma, nunca enganche la plataforma desde otra posición que no sea la del asiento del operador del tractor. No use un asistente ni active la plataforma en presencia de ningún observador.

1. Una el adaptador del pico a una manguera de jardín estándar conectada al suministro de agua.
2. Desplace el tractor a un área al alcance de la manguera, en la cual la dispersión de recortes de pasto húmedo sea aceptable para usted. Desconecte la toma de fuerza (PTO), aplique el freno de mano y detenga el motor.
3. Tire hacia atrás el collarín de ajuste (a) del adaptador del pico (b) y empuje el adaptador del pico (b) hacia uno de los picos de lavado de la plataforma (c) de cualquiera de los dos extremos de la plataforma de corte. Suelte el collarín de ajuste (a) para trabar el adaptador en el pico (b) en el pico de lavado de la plataforma (c). Consulte Figura 4-5.

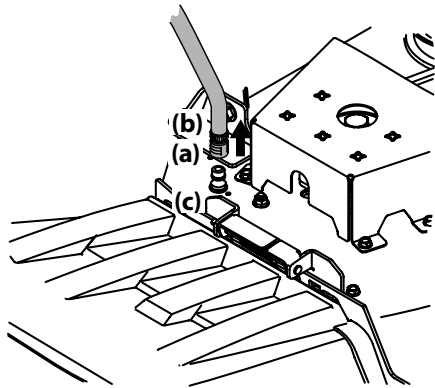


Figura 4-5

4. Abra el suministro de agua.
5. Desde el asiento del operador del tractor, encienda el motor y enganche la potencia de arranque (PTO). Deje funcionar según sea necesario. Desactive la toma de fuerza (PTO) y detenga el motor.
6. Cierre el suministro de agua.
7. Tire del collarín de ajuste (a) del adaptador del pico (b) hacia atrás para desconectar el adaptador del pico (b) del pico de lavado de la plataforma (c).
8. Repita los pasos anteriores para limpiar la plataforma usando el pico (c) del otro extremo de la plataforma.

## Neumáticos

Controle la presión de aire de los neumáticos cada 50 horas de operación o una vez por semana. Mantenga los neumáticos inflados a las presiones recomendadas. El inflado inadecuado de un neumático reduce su vida útil. Consulte los laterales de los neumáticos para averiguar las presiones de inflado adecuadas. Respete las siguientes pautas:

- No infle los neumáticos por encima de la presión máxima que se muestra en el lateral del neumático.
- No vuelva a inflar un neumático que se ha utilizado desinflado o desinflado en extremo. Un gomero calificado debe inspeccionar y reparar el neumático.

## Información general sobre la batería

### ⚠ ADVERTENCIA

En caso de que se produzca una salpicadura accidental de ácido en los ojos o la piel, enjuague el área afectada inmediatamente con agua limpia fría. Si tiene algún malestar adicional, consulte un médico inmediatamente.

Si el ácido salpica la ropa, en primer lugar dilúyalo con agua limpia, luego neutralícelo con una solución de agua/amoniaco o bicarbonato/agua.

NUNCA conecte (o desconecte) las abrazaderas del cargador de la batería a la batería si el cargador está encendido, ya que puede causar chispas.

Mantenga todas las fuentes de combustión (cigarrillos, cerillas, encendedores) alejadas de la batería. El gas generado durante la carga puede ser combustible.

Como precaución adicional, cargue la batería únicamente en un área bien ventilada.

Siempre proteja sus ojos y su piel y vestimenta cuando trabaje cerca de baterías.

Las baterías contienen ácido sulfúrico y pueden producir gases explosivos. Tenga extremo cuidado cuando manipule baterías. Mantenga las baterías lejos del alcance de los niños.

### Mantenimiento de la batería

- La batería se llena con ácido de batería y se sella en fábrica. Sin embargo, para asegurar un ciclo de vida adecuado es necesario realizar cierto mantenimiento, aún en las baterías 'sin mantenimiento'.
- Rocíe los bornes y el cable expuesto con un sellador de bornes de batería, o recubra los bornes con una capa delgada de grasa o vaselina para protegerlos contra la corrosión.
- Siempre mantenga limpios y libres de corrosión los cables y los bornes de la batería.
- Evite inclinar la batería. Hasta una batería sellada pierde electrolito si se la inclina.

### ⚠ ADVERTENCIA

Las baterías contienen ácido sulfúrico y pueden producir gases explosivos. Tenga extremo cuidado cuando manipule baterías. Mantenga las baterías lejos del alcance de los niños.

### Almacenamiento de la batería

1. Cuando el tractor se guarda durante períodos prolongados, desconecte el cable negativo de la batería. No es necesario retirar la batería.
2. Todas las baterías se descargan durante el almacenamiento. Mantenga el exterior de la batería limpio, especialmente la parte superior. Una batería sucia se descarga con mayor rapidez.
3. La batería debe guardarse con carga completa. Una batería descargada se puede congelar más pronto que una batería cargada. Una batería con carga completa se guarda por más tiempo en temperaturas frías que en temperaturas altas.
4. Vuelva a cargar la batería antes de volver a ponerla en servicio. Aun cuando el tractor pueda arrancar, el sistema de carga del motor tal vez no recargue totalmente la batería.

### Transmisión hidrostática

La transmisión hidrostática viene sellada de fábrica y no requiere mantenimiento alguno. No se puede controlar el nivel de fluido ni se puede cambiar el líquido.

## Almacenamiento del tractor

Si el tractor no va a funcionar por un período prolongado (desde treinta días hasta aproximadamente seis meses), se lo debe preparar para el almacenamiento. Guarde el tractor en un lugar seco y protegido. Si lo guarda afuera, cúbralo (incluidos los neumáticos) para protegerlo de los fenómenos climáticos. Cada vez que se prepara el tractor para dejarlo fuera de uso se deben realizar los procedimientos que se describen más abajo.

1. Cambie el aceite y filtro de motor según las instrucciones suministradas en el manual del motor entregado con este manual.

### ⚠ ADVERTENCIA

Nunca guarde el tractor con combustible en el depósito en un lugar cerrado o con escasa ventilación, donde los gases del combustible pueden generar fuego, chispas o encender una luz piloto como la de hornos, calentadores de agua, secadores de ropa, etc.

2. Si guarda el tractor por 30 días o más:
  - a. Para evitar que se formen depósitos de goma dentro del carburador del motor y posibles desperfectos en el motor, el sistema de combustible debe ser vaciado completamente, o se debe tratar la gasolina con un estabilizador para evitar el deterioro.

### ⚠ ADVERTENCIA

El combustible que queda en el depósito se deteriora y causa graves problemas de arranque.

- b. Uso de un estabilizador de combustible para almacenamiento de entre 30 y 90 días:
    - Lea las instrucciones y recomendaciones del fabricante del producto.
    - Agregue a la gasolina limpia y fresca la cantidad correcta de estabilizador según la capacidad (aproximadamente 3 galones) del sistema de combustible.
    - Llene el depósito de combustible con combustible tratado y haga funcionar el motor 2-3 minutos para estabilizar el combustible dentro del carburador.
  - c. Vaciado del sistema de combustible para almacenamiento de más de 90 días:
    - Antes de guardar el tractor, observe el consumo de combustible a los efectos de hacer funcionar el tractor hasta que el depósito esté vacío.
    - Haga funcionar el motor hasta que comience a detenerse. Use el cebador para mantener el motor en funcionamiento hasta que se haya agotado todo el combustible del carburador.
    - Drene el combustible del recipiente del carburador, consultando el manual del motor.
3. Limpie perfectamente el motor y toda la unidad.
  4. Cargue totalmente la batería, luego desconecte el cable negativo de la batería para evitar posibles descargas. Vuelva a cargar la batería periódicamente durante el almacenamiento.

**Nota:** Retire la batería si está expuesta a períodos prolongados de temperaturas inferiores al congelamiento. Guarde en un lugar fresco y seco, donde las temperaturas estén por encima del punto de congelamiento.

5. Lubrique todos los puntos de lubricación.

**Nota:** No se recomienda el uso de una lavadora de presión ni de una manguera de jardín para limpiar el tractor. Puede dañar los componentes eléctricos, los husillos, las poleas, los rodamientos o el motor. El uso de agua acortará la vida útil de la máquina y reducirá su capacidad de servicio.

## Retiro del tractor del lugar de guarda

1. Inspeccione el aceite del motor.
2. Cargue totalmente la batería e infle los neumáticos a la presión recomendada.
3. Llene el depósito de combustible con gasolina limpia y nueva.
4. Arranque el motor y déjelo andar en ralentí unos cuantos minutos para asegurar que su funcionamiento sea adecuado.
5. Conduzca el tractor sin carga para estar seguro de que todos los sistemas del tractor funcionan correctamente.

## Ajustes

### ⚠ ADVERTENCIA

Apague el motor, retire la llave de encendido y coloque el freno de mano antes de realizar ajustes. Proteja sus manos utilizando guantes reforzados cuando manipule las cuchillas.

## Ajuste de las palancas de control de la transmisión del lado derecho y del lado izquierdo

Las palancas de control de la transmisión del lado derecho y del lado izquierdo se pueden ajustar hacia arriba o hacia abajo y hacia adelante y hacia atrás para proporcionar comodidad al operador. Las palancas de control de la transmisión se pueden colocar en una de dos posiciones de altura, y/o se pueden desplazar hacia adelante o hacia atrás dentro del rango de la ranura en cada brazo inferior.

Para ajustar la altura de la palanca de control de la transmisión, proceda de la siguiente forma:

1. Extraiga el tornillo de cabeza hexagonal superior (a) y la arandela plana (b) que aseguran la palanca de control de la transmisión (c) en el brazo inferior (d).
2. Sostenga la palanca de control de la transmisión para evitar que se caiga, extraiga el tornillo de cabeza hexagonal (e) y la arandela plana (f) de la parte inferior de la palanca de control de la transmisión (c) y haga descender el brazo (d). Consulte la Figura 4-6.

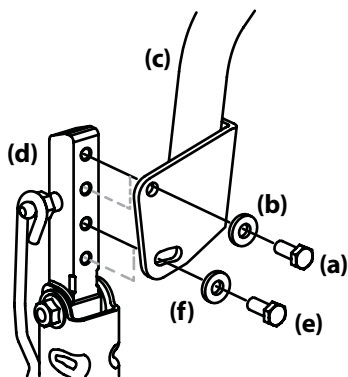


Figura 4-6

3. Vuelva a ubicar la palanca de control de la transmisión para alinearla con el otro conjunto de orificios del brazo inferior e inserte el tornillo de cabeza hexagonal a través de la arandela plana y dentro del brazo inferior. Apriete el tornillo de cabeza hexagonal hasta que quede ajustado.
4. Inserte el tornillo de cabeza hexagonal a través de la arandela plana y a través de la ranura de la palanca de control y el brazo inferior. No apriete en este momento.
5. Si va a ajustar las palancas de control hacia adelante o hacia atrás, realice el paso siguiente. De lo contrario, ajuste completamente el tornillo de cabeza hexagonal.

Para ajustar las palancas de control hacia adelante o hacia atrás, proceda de la siguiente forma:

6. Si el tornillo de cabeza hexagonal (e) no está flojo, aflójeló y gire la palanca de control hacia adelante o hacia atrás a la posición deseada. Consulte la Figura 4-6.

**Nota:** Si la palanca de control está demasiado apretada y es difícil moverla, afloje el tornillo de cabeza hexagonal (a) de la base de la palanca de control.

7. Apriete el tornillo de cabeza hexagonal (e) para fijar la palanca de control en la posición ajustada.

Repita el procedimiento anterior para ajustar la otra palanca de control en la misma posición. Ajuste de manera que las dos palancas queden parejas entre sí cuando se encuentran en posición neutral.

## Nivelación de la plataforma

**Nota:** Controle la presión de neumáticos del tractor antes de realizar cualquier nivelación de la plataforma. Consulte la sección Neumáticos para obtener información sobre la presión de los neumáticos.

### ⚠ ADVERTENCIA

Apague el motor, retire la llave de encendido y coloque el freno de mano antes de realizar ajustes. Proteja sus manos utilizando guantes reforzados cuando manipule las cuchillas.

## Nivelación de la plataforma (de lado a lado)

**Nota:** Controle la presión de neumáticos del tractor antes de realizar cualquier nivelación de la plataforma. Consulte la sección Neumáticos para obtener información sobre la presión de los neumáticos. Nivele siempre la plataforma de lado a lado antes de alinearla de adelante hacia atrás.

Si la plataforma de corte estuviera realizando el corte de césped de forma despareja, puede realizarse el ajuste lado a lado. De ser necesario, realice un ajuste de la siguiente manera:

1. Con el tractor estacionado sobre una superficie firme y nivelada, coloque la manija de elevación de la plataforma en una posición de corte media y rote las dos cuchillas exteriores para que se sitúen de forma perpendicular al tractor.
2. Mida la distancia desde la parte externa de la punta de la cuchilla izquierda hasta el piso, y desde la parte externa de la punta de la cuchilla derecha hasta el piso. Las dos mediciones obtenidas deben ser iguales. Si no lo son, continúe el siguiente paso.
3. Afloje, pero NO extraiga, el perno de cabeza hexagonal (a) ubicado en el gancho trasero izquierdo de la plataforma. Consulte Figura 4-7.

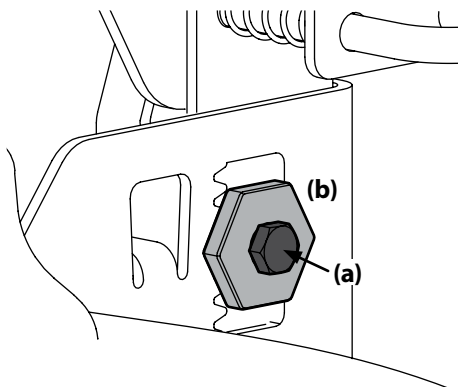


Figura 4-7

**Nota:** El gancho trasero derecho de la plataforma no se puede ajustar y se utiliza para ajustar los otros ganchos.

4. Con una llave, levante o baje el lado izquierdo de la plataforma girando el engranaje de ajuste (b). Consulte la IFigura 4-7.
5. La plataforma se encuentra correctamente nivelada cuando las dos mediciones desde las puntas de las cuchillas son iguales. Una vez alcanzado el ajuste necesario, vuelva a ajustar el perno de cabeza hexagonal de la ménsula frontal de suspensión izquierda de la plataforma.

## Nivelación de la plataforma (de adelante hacia atrás)

**Nota:** Controle la presión de neumáticos del tractor antes de realizar cualquier nivelación de la plataforma. Consulte la sección Neumáticos para obtener información sobre la presión de los neumáticos. Nivele siempre la plataforma de lado a lado antes de alinearla de adelante hacia atrás.

La parte delantera de la plataforma debe estar entre  $\frac{1}{4}$ - $\frac{3}{8}$  in más abajo que la parte trasera. De ser necesario, realice un ajuste de la siguiente manera:

1. Estacione el tractor sobre una superficie firme y nivelada, y coloque la manija de elevación de la plataforma en una posición media.
2. Rote la cuchilla lo más cerca posible del canal de descarga de manera que esté en paralelo con el tractor.
3. Mida la distancia desde la parte delantera de la punta de la cuchilla hasta el suelo, y desde la parte posterior de la punta de la cuchilla hasta el suelo. La primera medición tomada debe ser  $\frac{1}{4}$  in y  $\frac{3}{8}$  in menor que la segunda medición.
4. Determine la distancia aproximada necesaria para un ajuste adecuado y, de ser necesario, proceda.
5. Para *eleva*r el frente de la plataforma, extraiga la tapa de extremo, afloje la tuerca exterior (a) y apriete (rosca hacia adentro) la tuerca interior (b) contra la ménsula de suspensión delantera. Consulte la Figura 4-8. Una vez alcanzado el ajuste adecuado n, vuelva a ajustar la tuerca exterior (a) y vuelva a colocar la tapa de extremo.

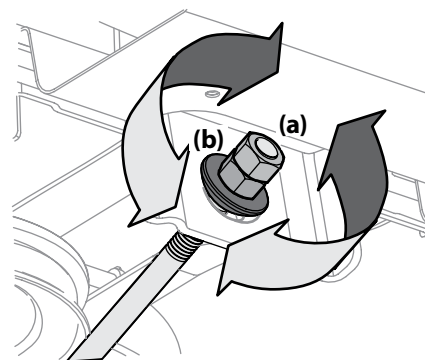


Figura 4-8

6. Para *baja*r el frente de la plataforma, extraiga la tapa de extremo, afloje la tuerca exterior (a) y afloje (rosca hacia afuera) la tuerca interior (b) alejándola de la ménsula de suspensión delantera. Consulte la Figura 4-8. Una vez alcanzado el ajuste adecuado, vuelva a ajustar la tuerca exterior (a) y vuelva a colocar la tapa de extremo.



## Ajuste de las ruedas de la plataforma

### ⚠ ADVERTENCIA

Mantenga las manos y los pies alejados de la abertura de descarga de la plataforma de corte.

**Nota:** Las ruedas de la plataforma constituyen un mecanismo para el cuidado del césped y no fueron diseñadas para soportar el peso de la plataforma de corte.

Las ruedas de la plataforma deben estar aproximadamente entre  $\frac{1}{4}$ - $\frac{1}{2}$  in por encima del nivel del suelo cuando la plataforma se fija en el valor de altura deseado. Para obtener instrucciones sobre cómo ajustar las ruedas de la plataforma consulte la sección Montaje y Configuración.

## Ajuste de detención de las palancas de control de la transmisión (si están equipadas)

Cuando ambas palancas de control de la transmisión están completamente extendidas hacia adelante hasta la posición de velocidad máxima y el tractor se desplaza a la derecha o la izquierda, se puede regular el ajuste de detención de las palancas de control de la transmisión para sincronizar las velocidades de las ruedas. Para realizar el ajuste proceda de la siguiente manera:

1. Identifique el lado hacia el que se desplaza el tractor y ajuste la palanca de control de la transmisión del lado contrario. Si el tractor se desplaza hacia la derecha, ajuste la palanca de control de la transmisión izquierda abajo (reduzca la velocidad) y viceversa.
2. Ubique los pernos del ajuste de detención de las palancas de control de la transmisión (a) que están en el frente del marco del asiento. Consulte la Figura 4-9.

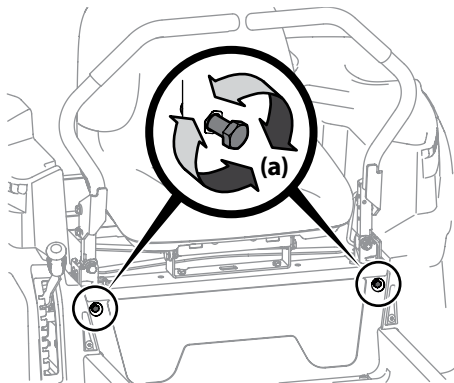


Figura 4-9

3. Para reducir la velocidad de avance, gire el ajuste de detención de las palancas de control de la transmisión (a) en el sentido de las agujas del reloj. Para incrementar la velocidad de marcha adelante, gire los pernos de ajuste de detención de las palancas de control de la transmisión (a) en el sentido contrario a las agujas del reloj. Gire los pernos de ajuste de detención de las palancas de control de la transmisión (a) en la dirección necesaria  $\frac{1}{4}$  de giro por vez. Después de girar los pernos de ajuste de detención de las palancas de control de la transmisión (a), compruebe el ajuste manejando el tractor.
4. Continúe el ajuste hasta que las velocidades de las ruedas estén sincronizadas y el tractor circule en línea recta con las palancas de control de la transmisión completamente extendidas hacia adelante en la posición de velocidad máxima

## Almacenamiento fuera de temporada

### Almacenamiento del tractor

Si el tractor no va a funcionar por un período prolongado (desde treinta días hasta aproximadamente seis meses), se lo debe preparar para el almacenamiento. Guarde el tractor en un lugar seco y protegido. Si lo guarda afuera, cúbralo (incluidos los neumáticos) para protegerlo de los fenómenos climáticos. Cada vez que se prepare el tractor para dejarlo fuera de uso se deben realizar los procedimientos que se describen más abajo.

1. Cambie el aceite y filtro de motor según las instrucciones suministradas en el Manual del operador del motor.

### ⚠ ADVERTENCIA

Nunca guarde el tractor con combustible en el depósito en un lugar cerrado o con escasa ventilación, donde los gases del combustible pueden generar fuego, chispas o encender una luz piloto como la de hornos, calentadores de agua, secadores de ropa, etc.

2. Realice el mantenimiento del motor como se indica en el Manual del operador del motor por separado.
3. Para almacenar motores entre 30 y 90 días es necesario tratarlos con un estabilizador de gasolina y para almacenarlos durante más de 90 días se debe drenar el combustible para evitar deterioros y la formación de depósitos de goma en el sistema de combustible o en piezas fundamentales del carburador. Si la gasolina en su motor se deteriora durante el almacenamiento, puede resultar necesario reparar o reemplazar el carburador y otros componentes del sistema de combustible.

### ⚠ ADVERTENCIA

Drene el combustible únicamente dentro de un recipiente aprobado y al aire libre, lejos de cualquier llama expuesta. Deje que el motor se enfríe. Apague cigarrillos, cigarras, pipas y otras fuentes de combustión antes de drenar el combustible.

3. Retire las bujías y vierta aproximadamente una onza de aceite en cada cilindro. Haga arrancar el motor una o dos vueltas para que el aceite se distribuya de forma pareja en las paredes del cilindro. Vuelva a colocar las bujías.
4. Limpie perfectamente el motor y toda la unidad.

**Nota:** No se recomienda el uso de una lavadora de presión ni de una manguera de jardín para limpiar el tractor. Pueden producir daños a los componentes eléctricos, husillos, poleas, rodamientos o al motor. El uso de agua acortará la vida útil de la máquina y reducirá su capacidad de servicio.

5. Afíle las cuchillas para que el tractor esté listo para el uso cuando necesite usarla.
6. Proteja las superficies metálicas. Repare las rayas con pintura de retoque adecuada en aerosol. Píncel cualquier superficie con pintada, incluidas las poleas y las cuchillas, con aceite preventivo de herrumbre. (Tenga cuidado para que el aceite no toque las correas de transmisión).
7. Limpie y cargue totalmente la batería, luego desconecte el cable negativo de la batería para evitar posibles descargas. Vuelva a cargar la batería periódicamente durante el almacenamiento.  
**Nota:** Retire la batería si está expuesta a períodos prolongados de temperaturas inferiores al congelamiento. Guarde en un lugar fresco y seco, donde las temperaturas estén por encima del punto de congelamiento.
8. Lubrique todos los puntos de lubricación.
9. Levante el tractor y guárdelo sobre bloques para que el peso no se apoye sobre los neumáticos.

## Retiro del tractor del lugar de guarda

1. Inspeccione el aceite del motor.
2. Cargue totalmente la batería, retire el tractor de los bloques e infle los neumáticos a la presión recomendada.
3. Extraiga las bujías y límpielas. Con el arrancador, haga girar el motor para bombear el exceso de aceite y sacarlo de los orificios de las bujías. Vuelva a colocar las bujías y los conductores de encendido.
4. Si se vació el depósito de combustible antes de guardar el tractor, llénelo con gasolina limpia y nueva.
5. Compruebe el nivel de aceite del motor dentro del cigüeñal y el depósito de fluido hidráulico.
6. Arranque el motor y déjelo andar en ralentí unos cuantos minutos para asegurar que su funcionamiento sea adecuado.
7. Conduzca el tractor sin carga para estar seguro de que todos los sistemas del tractor funcionan correctamente.

## Servicio

### Retiro de la batería

### ⚠ ADVERTENCIA

Los bornes, terminales y accesorios de la batería contienen plomo y compuestos de plomo. Lávese las manos después de estar en contacto con estos componentes.

La batería está ubicada debajo del marco del asiento. Para retirar la batería:

1. Extraiga el tornillo de cabeza hexagonal con arandela (a) que sujeta el soporte de sujeción de la batería al marco (b). Luego levante el soporte de sujeción (b) de la batería para liberar la batería. Consulte la Figura 4-10.

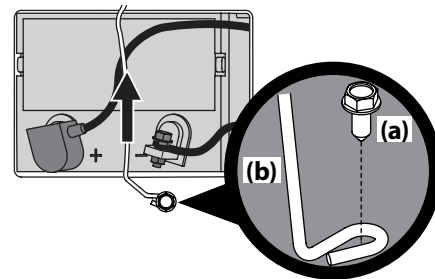


Figura 4-10

2. Retire el tornillo hexagonal y la tuerca Sems que fijan el conductor negativo negro de la batería al borne negativo de la batería (marcado 'NEG'). Aleje el cable del borne negativo de la batería.
3. Retire el tornillo hexagonal y la tuerca Sems que fijan el conductor positivo rojo de la batería al borne positivo de la batería (marcado 'POS').
4. Levante con cuidado la batería para sacarla del tractor.
5. Instale la batería repitiendo los pasos anteriores en orden inverso.

### ⚠ ADVERTENCIA

Siempre conecte el conductor positivo a la batería antes de conectar el conductor negativo. Esto evita la generación de chispas o posibles lesiones producidas por un cortocircuito eléctrico causado por el contacto del cuerpo del tractor con las herramientas que se usan para conectar los cables.

## Carga de la batería

Si el tractor ha estado guardado durante un tiempo, pruebe la batería y, si es necesario, recárguela.

- Un voltímetro o medidor de carga debería dar una lectura de 12,6 voltios (CC) o más en todos los bornes de la batería. Consulte la Figura 4-11.

Voltímetro (lectura)	Estado de la carga	Tiempo de carga
12,7	100%	Carga completa
12,4	75%	90 min
12,2	50%	180 min
12,0	25%	280 min

Figura 4-11

- Cargue la batería con un cargador de batería de 12 voltios a un MÁXIMO de 10 amperios.

## Mantenimiento del sistema eléctrico

El tractor tiene instalado un fusible para proteger el sistema eléctrico de los daños causados por el exceso de amperaje. Siempre reemplace con fusibles de la misma capacidad. Si el sistema eléctrico no funciona, compruebe si hay un fusible quemado.

Si se repite el problema de los fusibles quemados, haga que el distribuidor de servicio autorizado de su localidad revise el sistema eléctrico del tractor.

## Relés e interruptores

Hay varios interruptores de seguridad en el sistema eléctrico. Si una función del sistema de bloqueo de seguridad descrito antes no funciona adecuadamente, haga que el distribuidor de servicio autorizado revise el sistema eléctrico.

## Ajuste del freno de mano

Si el tractor no se detiene por completo cuando se colocan las palancas de control totalmente hacia atrás enganchar el freno de mano, o si las ruedas traseras del tractor siguen rodando con el freno de mano colocado (y la válvula de descarga hidrostática abierta) el freno necesita un ajuste. Consulte al distribuidor de servicio autorizado para realizar un ajuste del freno.

## Retiro de la plataforma

Retire la plataforma de corte del tractor de la siguiente forma:

1. Lleve el tractor a una superficie nivelada, desconecte la PTO, pare el motor y coloque las palancas de control en posición neutral/de freno de mano.
2. Para tractores con PTO manual continúe con el Paso 3, para modelos con PTO eléctrica salte al Paso 6.

3. Extraiga el tornillo de arandela hexagonal (a), la arandela plana (b) que asegura la varilla del guardacorreas (c) con los soportes de montaje (d) y retire varilla del guardacorreas (c). Consulte la Figura 4-12.

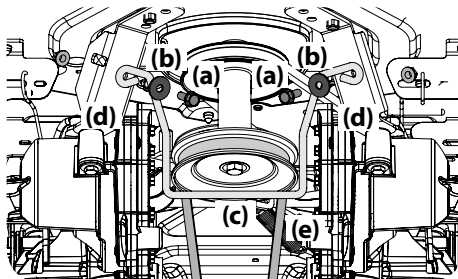


Figura 4-12

4. Extraiga el pasador de chaveta (a) que sujeta el cable de la PTO (b) al soporte (c) de la plataforma, deslice el cable de la PTO (b) fuera del soporte (c) y desenganche el resorte de la ménsula intermedia (d). Consulte la Figura 4-13.

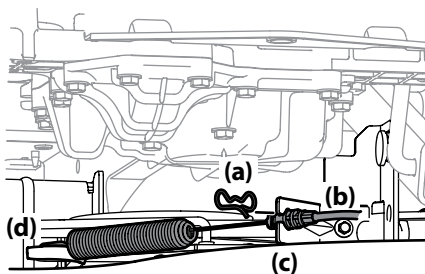


Figura 4-13

5. Retire la correa en 'V' (e) de la p Polea de la toma de fuerza (PTO), ubicada en la base del motor en los tractores de PTO manual, y prosiga con el Paso 9. Consulte la Figura 4-12.

### ⚠ ADVERTENCIA

El silenciador en la parte trasera del tractor puede estar sumamente caliente y podría causar quemaduras graves. Tenga mucho cuidado cuando se encuentre cerca del silenciador. Deje que el silenciador se enfríe totalmente antes de retirar la correa de la polea de la toma de fuerza (PTO).

6. Para los tractores con toma de fuerza eléctrica, siga uno de los dos métodos siguientes:
7. Para aflojar la tensión de la correa con la polea loca:
  - a. Usando la manija de elevación de la plataforma, levante la plataforma a la posición que le ofrece mayor recorrido horizontal de la correa entre las poleas locas de la plataforma y la polea de la PTO en la base del motor. Consulte la Figura 4-14.

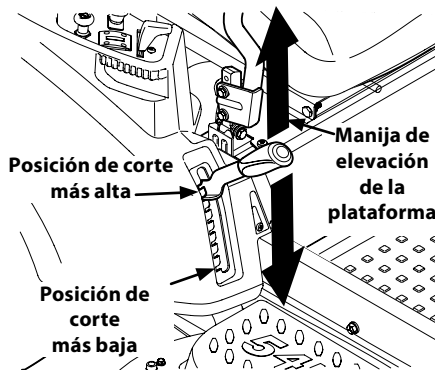


Figura 4-14

- b. Desde la parte media del tractor, haga girar el soporte de la polea loca (a) y la polea móvil (b) hacia atrás en las plataformas de 42/46/54 in y hacia adelante en las plataformas de 34 in solo lo suficiente para levantar la correa por encima de la polea del husillo. Consulte la Figura 4-15 para las plataformas de 42/46/54 in y la Figura 4-16 para las plataformas de 34 in.

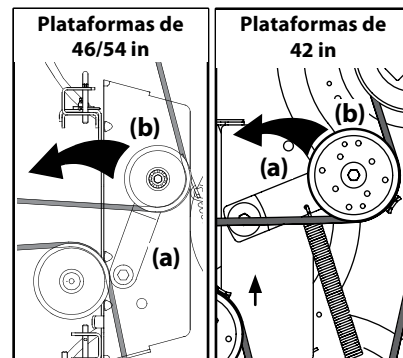


Figura 4-15

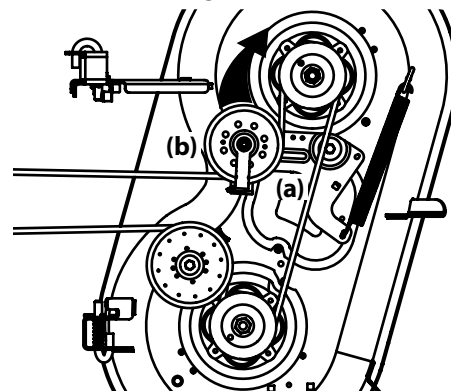


Figura 4-16

- c. Desde abajo de la parte trasera del tractor, deslice la correa para sacarla de la polea de la toma de fuerza (PTO) en la base del motor.
  - d. Baje la plataforma hasta la posición de corte más baja usando la manija de elevación de la plataforma. Consulte la Figura 4-14.
  - e. Prosiga con el paso 9.
8. Haciendo rodar la correa para sacarla de la polea de la toma de fuerza (PTO):
    - a. Usando la manija de elevación de la plataforma, levante la plataforma a la posición que le ofrece mayor recorrido horizontal de la correa entre las poleas locas de la plataforma y la polea de la PTO en la base del motor.
    - b. Sentado detrás del tractor, mirando hacia adelante, estire la mano debajo del tractor para agarrar la correa por delante de la polea de la PTO.

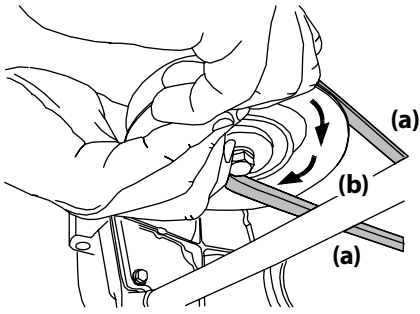
### ⚠ ADVERTENCIA

Tenga cuidado de no pellizcarse los dedos cuando saca la correa de la polea de la PTO.

- c. Tire del lado izquierdo de la correa hacia atrás y hacia abajo mientras gira manualmente la polea de la PTO hacia la derecha hasta que la correa se deslice hacia afuera sobre el borde inferior de la polea.

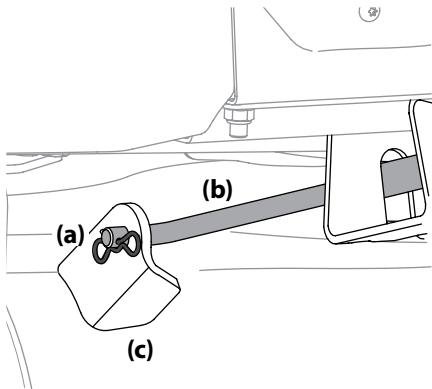
**Nota:** Si tira del lado derecho de la correa, gire la polea hacia la izquierda.

- d. Mientras sostiene la correa de la PTO (a) hacia abajo, siga girando la polea de la PTO (b) hasta que la correa de la PTO (a) se deslice fuera de la polea (b). Consulte la Figura 4-17.



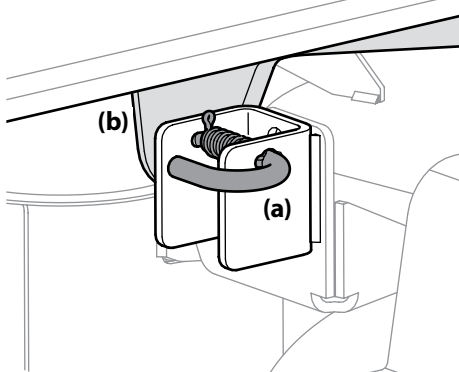
**Figura 4-17**

- e. Baje la plataforma hasta la posición de corte más baja usando la manija de elevación de la plataforma. Consulte la Figura 4-14.
  - f. Siga con el paso 9.
9. Tire del pasador de chaveta (a) hacia afuera de la varilla de elevación delantera (b) de la plataforma que la sujeta a la plataforma. Consulte la Figura 4-18. Deslice la varilla de elevación de la plataforma de la ménsula de suspensión frontal (c).



**Figura 4-18**

10. Ubique los pasadores de liberación (a) de la plataforma del lado izquierdo y del lado derecho que se encuentran a cada lado de la plataforma. Tire de los pasadores de liberación de la plataforma (a) hacia afuera y suelte la plataforma de los brazos de elevación (b) del lado derecho e izquierdo de la plataforma. Consulte la Figura 4-19.



**Figura 4-19**

11. Ubique la manija de elevación de la plataforma en la posición de corte más elevada y deslice la plataforma hacia afuera desde abajo del tractor. Consulte la Figura 4-14.

## Instalación de la plataforma

Instale la plataforma sobre el tractor de la siguiente forma:

1. Ubique la manija de elevación de la plataforma en la posición de corte más elevada. Vea la Figura 4-14.
2. Deslice la plataforma debajo del tractor del lado derecho del mismo, alineando las ménsulas de suspensión de la plataforma y los brazos de elevación de la plataforma.
3. Una vez que la plataforma esté debajo del tractor, mueva la manija de elevación de la plataforma a la posición de corte más baja.

**Nota:** Para que los soportes se alineen adecuadamente puede ser necesario colocar un bloque de madera pequeño debajo de cada lado de la plataforma.

4. Tire de los pasadores de liberación de la plataforma hacia afuera y ubique la plataforma según sea necesario para alinear los orificios de los brazos de elevación de la plataforma con los pasadores. Consulte la Figura 4-19.
5. Una vez alineados, empuje cada pasador totalmente hacia adentro a través de los brazos de elevación para fijar los brazos en las ranuras de las ménsulas de suspensión traseras.
6. Vuelva a instalar la varilla de elevación delantera de la plataforma y sujétela en su lugar con el pasador de chaveta. Consulte Figura 4-18.
7. Asegúrese de que la correa en 'V' esté en las poleas del husillo de la plataforma, luego oriente la correa hacia atrás por debajo del bastidor del tractor, por encima de los tubos de transmisión, hacia la polea de la potencia de arranque (PTO) en la base del motor.
8. Usando la manija de elevación de la plataforma, levante la plataforma a la posición que le ofrece mayor recorrido horizontal de la correa entre las poleas locas de la plataforma y la polea de la PTO en la base del motor.
9. Asegúrese de que la correa esté en las poleas del husillo de la plataforma y que el lado trasero de la correa esté contra las poleas locas fija y móvil.
10. Sentado detrás del tractor, mirando hacia adelante, asegúrese de que la correa no esté retorcida; luego estire la mano debajo del tractor para agarrar la correa y tirar de la misma hacia la polea de la PTO.

### ⚠ ADVERTENCIA

Tenga cuidado de no pellizcarse los dedos cuando coloca la correa en la polea de la potencia de arranque.

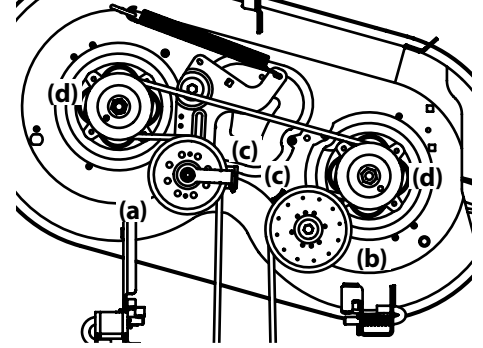
11. Tire del lado derecho de la correa de la PTO hacia atrás y coloque el lado V angosto de la correa de la PTO en la polea de la PTO. Consulte la Figura 4-17.
12. Mientras sostiene la correa y la polea de la PTO juntas, rote la polea de la PTO hacia la izquierda (Vea la Figura 4-17). Siga sosteniendo y rotando la polea de la PTO y la correa de la PTO hasta que la correa de la PTO se enrolle totalmente en la polea de la PTO.
- Nota:** Antes de usar el tractor, compruebe la instalación de la correa para estar seguro de que la misma se ha colocado correctamente.
13. En los tractores con PTO manual
14. reinstale la varilla del guardacorrea (Consulte la Figura 4-12) y el cable de la PTO (Consulte la Figura 4-12).

## Cambio de la correa

1. Extraiga la plataforma de la parte inferior del tractor, (consulte la sección Extracción de la plataforma).

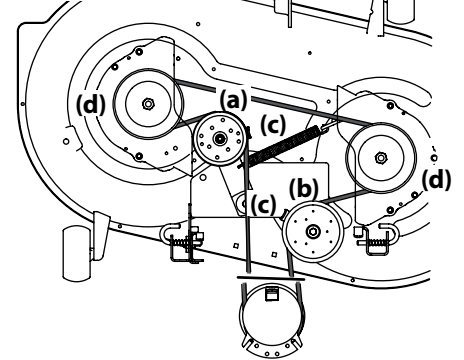
2. Afloje, pero no quite los accesorios a la derecha (a) y a la izquierda de la polea loca (b). Consulte la Figura 4-20 para las plataformas de 34 in, la Figura 4-21 para las plataformas de 42 in, la Figura 4-23 para las plataformas de 54 in.

**Plataformas de 34 in**  
Figura 4-13/Figura 4-22



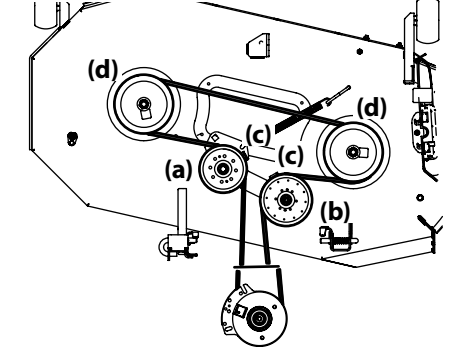
**Figura 4-20**

**Plataformas de 42 in**

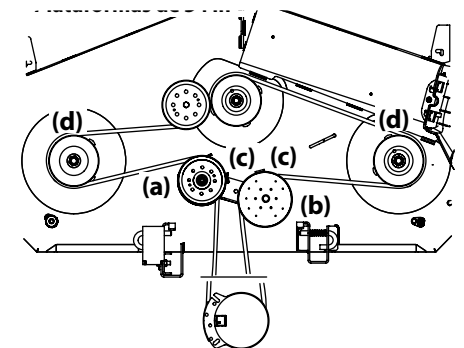


**Figura 4-21**

**Plataformas de 46 in**



**Figura 4-22**



**Figura 4-23**

**Nota:** Tome nota de la posición de la protección de correa (c) para asegurar que se haya vuelto a instalar de manera correcta.

**Nota:** En algunas plataformas puede ser necesario retirar las cubiertas de los husillos para sacar y/o instalar la correa nueva. Para retirar las cubiertas de los husillos, saque los tornillos que los sujetan a la plataforma.

3. Extraiga con cuidado la correa de alrededor de las poleas locas (a y b) y de las poleas del husillo.
4. Instale las nuevas poleas de la correa como se muestra y reinstale las cubiertas de la correa.
5. Coloque la correa alrededor de las poleas locas que extrajo en el paso 3 con el lado en "V" orientado hacia adentro. Una vez que todo esté en su lugar, vuelva a colocar los elementos de ferretería y ajuste la tuerca de seguridad con brida para sujetar el conjunto.
6. Pase la correa como se indica y vuelva a instalar la plataforma (consulte Instalación de la plataforma).

### Cuidado de las cuchillas del tractor

#### ⚠ ADVERTENCIA

Antes de realizar cualquier tarea de mantenimiento, coloque el interruptor de la toma de fuerza (PTO) en la posición "OFF" (apagado), enganche la palanca del freno de mano, gire la llave de encendido a la posición "OFF" (apagado) y retire la llave del interruptor. Proteja sus manos utilizando guantes reforzados cuando manipule las cuchillas. Cuando realice el mantenimiento de la plataforma de corte del tractor, tenga cuidado para no cortarse con las cuchillas filosas.

Las cuchillas de corte deben estar siempre afiladas. Afile los bordes de corte de las cuchillas de forma pareja de modo que las cuchillas queden balanceadas y se mantenga el mismo ángulo de filo.

Si el borde de corte de una cuchilla ya se ha afilado muchas veces, o si hay alguna separación en el metal, se recomienda instalar cuchillas nuevas. El distribuidor autorizado le puede proveer cuchillas nuevas.

Las cuchillas se pueden sacar de la siguiente manera.

1. Extraiga la plataforma de la parte inferior del tractor, (consulte la sección Extracción de la plataforma); luego voltee con delicadeza la plataforma para dejar al descubierto su parte inferior.
2. Use una llave de  $1\frac{5}{16}$  in para sostener la tuerca hexagonal en la parte superior del conjunto del husillo cuando afloje la tuerca hexagonal (a) que fija la cuchilla (b). Se puede colocar un bloque de madera (c) entre el alojamiento de la plataforma y el borde de corte de la cuchilla (b) para ayudar a aflojar la tuerca hexagonal (a) que fija la cuchilla. Vea Figura 4-24.

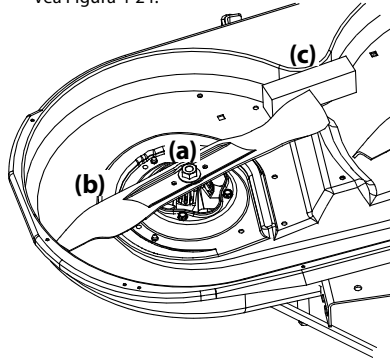


Figura 4-24

3. Cuando reinstale las cuchillas, asegúrese de que se instalen de modo que las aletas se orienten hacia arriba hacia la parte superior de la plataforma.
4. Ajuste las tuercas hexagonales (a) a 70-90 ft/lb.
5. Reinstale la plataforma (consulte Instalación de la plataforma).

### Cambio de la correa de transmisión

Para cambiar la correa de transmisión del tractor, se deben retirar varios componentes y se requieren herramientas especiales. Solicite a un distribuidor de servicio autorizado que realice el reemplazo de la correa de transmisión.

### Desplazamiento lento del tractor

Desplazamiento lento es el movimiento del tractor adelante o hacia atrás cuando el acelerador está activado y las palancas de control de transmisión están en posición neutra. Si tractor se desplaza lentamente, consulte al distribuidor autorizado para el mantenimiento.

## Notas