

**NOTICES:**

- Do not change or modify the product in any way. Doing so may compromise the products structural integrity and will void the warranty.
- Installation instructions must be followed. Any diversions from the installations may risk property damage and will void the warranty.
- If you are unfamiliar with Sink installation please consult a professional. Improper installation could result in damage to the product or the cabinet.

**IMPORTANT:**

- Observe all state and local building codes.
- Carefully read all installation and care instruction before proceeding.
- Due to the manufacturing process, each sink will vary slightly dimensionally.
- Farmhouse sinks may require custom cabinetry. We recommend consulting an experienced cabinet maker for assistance. Providing the cabinet maker with the actual sink to be installed will ensure a custom fit.

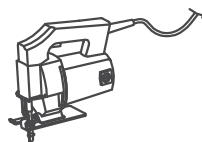
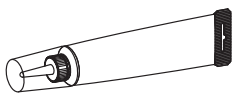
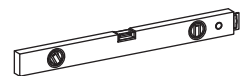
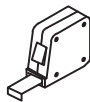
**MATERIALS INCLUDED:**

- 1 - cast iron farmhouse sink

**MATERIALS REQUIRED:**

- 2 - 2 x 4 cut to fit in cabinet
- 1 - 3/4" plywood

Tools Required (recommended to be installed by a professional)



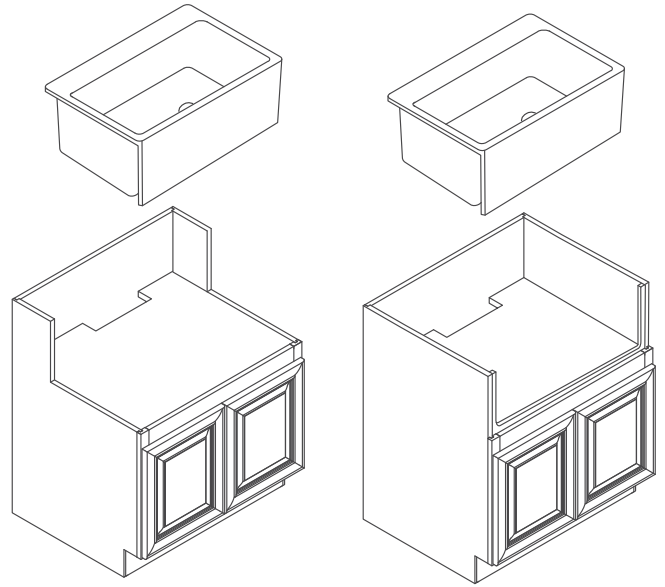
## PRIOR INSTALLING THE SINK

Farmhouse sinks may require custom cabinetry. We recommend consulting an experienced cabinet maker for assistance. Providing the cabinet maker with the actual sink that is to be installed will ensure a custom fit.

Depends on your desired size of the cabinets, you may or may not need to modify the side panel to fit the sink.

Allow clearance for the water supply lines, drains and a garbage disposal, if applicable. Build a support frame or install supporting shelf and brackets from front to back along the inner sides of the cabinet. The frame must support the weight of the sink and all attachments.

The support frame should be positioned so that when installed, the sink is in line and level with the top of the cabinet.



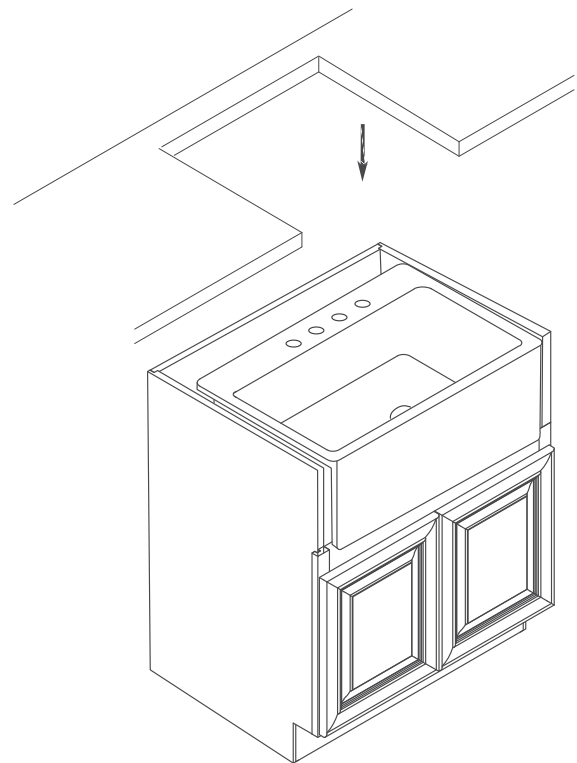
## DURING THE SINK INSTALLATION

No template is provided since each sink will vary dimensionally. After centering the sink, trace the outline of the sink on the counter-top with a pencil to use as a guide for the cutout. Remember to allow clearance for any faucets and/or back splashes. Cut the counter-top accordingly.

Test fit the sink in the opening that was created in the previous steps. The entire weight of the sink should be supported by the support frame.

Verify that the sink is in line and level with the top of the cabinet. Use shims, if needed, to level the sink.

Set the sink and apply your sealant to fill in any gaps below the sink front, and between the sink and counter-top. Hold the sink in place to secure. Place the counter-top onto the sink and remove any excess sealant from all surfaces



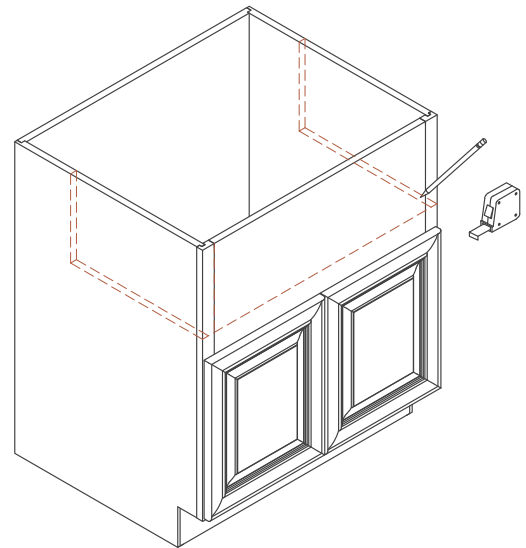
PRIOR INSTALLING THE SINK

**Step 1:** Determine the ideal location of your farmhouse kitchen sink.

**Step 2:** Measure and cut the cabinet to fit the kitchen sink. **See Figure 1.**

**NOTE:** Empire recommends to install the sink under the counter. If you want to install flush or semi-recessed, be sure to adjust the height and length of the cabinet cut in Figure 1.

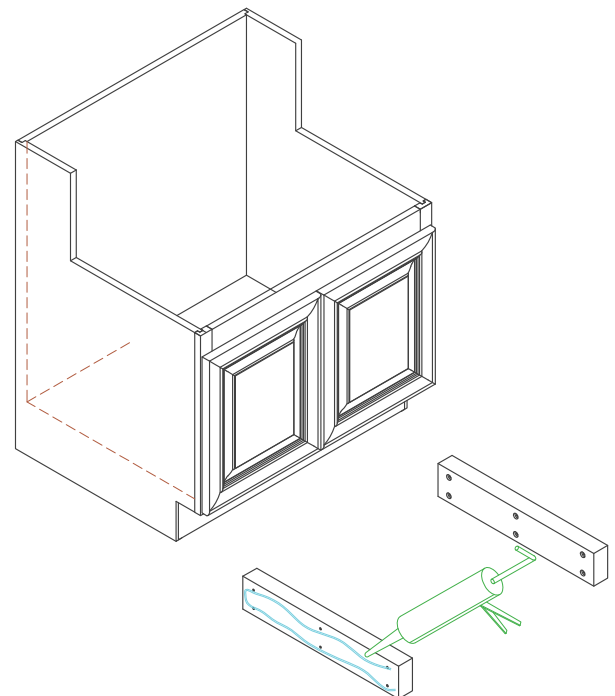
**Figure 1.**



**Figure 2.**

**Step 3:** Cut 2 pieces of 2 x 4 beams to fit inside the cabinet. **See Figure 2 and Figure 3.**

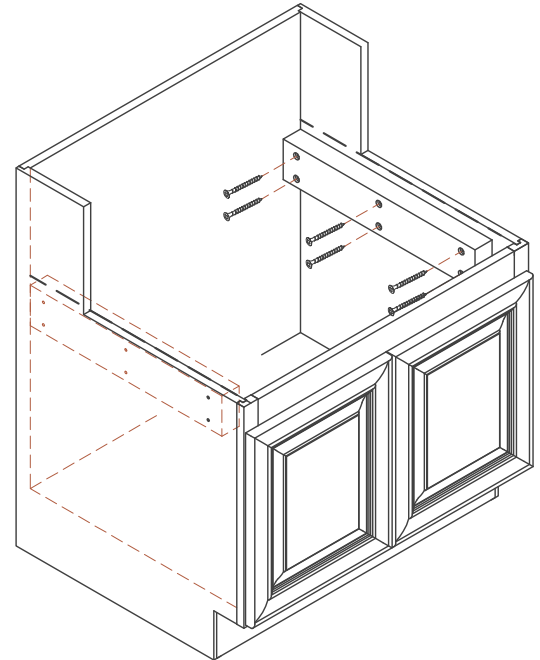
**NOTE:** It is recommended that you screw the beams with wood glue and screws. **See Figure 2 and Figure 3.**



**Step 4:** Attach the beams into place with wood glue.  
Allow enough time for the glue to dry (follow product recommendation).

**Step 5:** Fasten the 2 x 4 beams with wood screws into the cabinet.  
**See figure 3.**

**Figure 3.**



**NOTE:** Step 6 is recommended to ensure that the bottom of the sink has enough support. This step is optional.

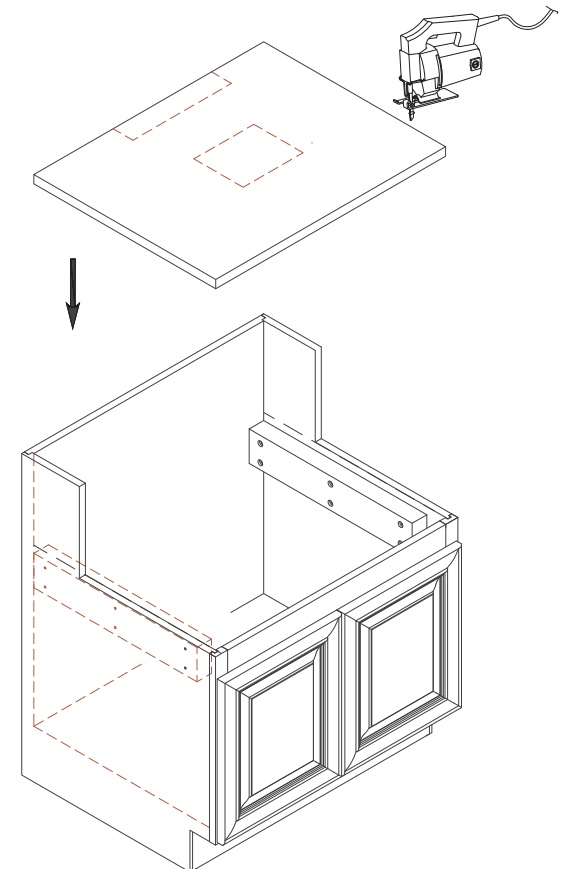
**Step 6:** Cut and fit a  $\frac{3}{4}$ " thick plywood board that will sit on top of the beams.

**Step 7:** Cut-out the sections where your drain and faucet lines will be.  
These will depend on the type of installation you chose (Under-the-counter, flush-mount, semi-recessed). **See Figure 4.**

**Step 8:** fit the board on top of the beams and verify that it is leveled.  
If not leveled, adjusted with shims. **See Figure 4.**

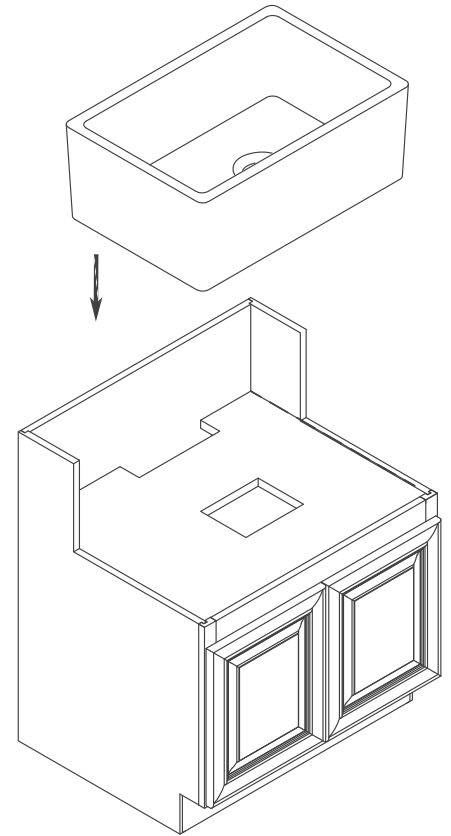
**Step 9:** Secure the board to the beams with wood. Verify the the board is still leveled.

**Figure 4.**

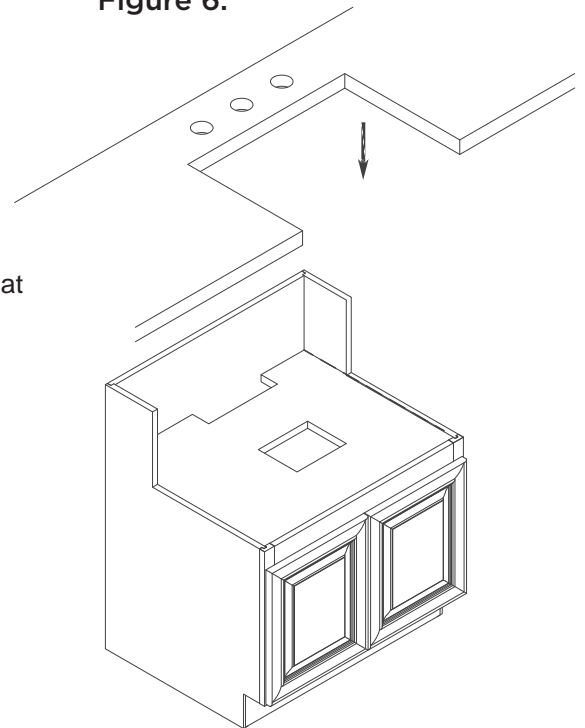


**Step 10:** Place the sink over the plywood. Check that the drain and faucet-line cut-outs line-up correctly. Confirm that the sink is leveled and adjust if not. **See Figure 5** (sink shown for illustration only).

**Figure 5.**



**Figure 6.**

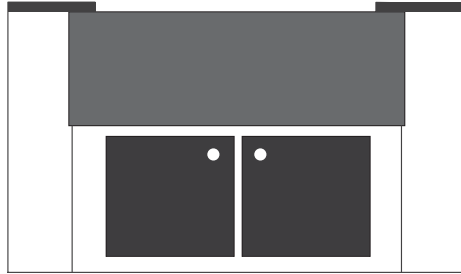


**Step 11:** Place the countertop over the cabinet and kitchen sink. Verify that the sink is installed properly.

**NOTE:** This completes the sink installation. Follow the directions of the countertop to complete your installation

## INSTALLATION RECOMMENDATION

We recommend under-mount sink installation. Semi-recess or Drop-In installation are not recommended. Ensure there is adequate room for the faucet and back splash installations.



## PRODUCT CARE AND MAINTENANCE

Porcelain enamel is a hard, glass-like surface that is not easily scratched and is extremely durable. Cast iron sinks have a porcelain enamel surface that is fused to cast iron under high temperatures and is one of the best heat resistant coatings available.

Cast iron sinks are incredibly durable but if the incorrect cleaners are used, small pits or scratches may occur over time that can trap dirt in the porcelain.

Avoid abrasive cleaners which can damage your sink.

Porcelain enamel can be chipped if it sustains a very hard blow.

Cast iron sinks have a very long life span and will typically last a long time.

Repairing a chipped porcelain sink requires a strong repair material with a trusted bonding agent. If your sink is chipped, we recommend the services of a professional to repair the damaged area.

### General Care Tips:

- Test cleaning product on small, discrete area prior to applying to entire surface.
- Wipe surfaces frequently with dry, soft, non-abrasive and lint-free towel.
- Do not allow liquids and moisture to accumulate on the surface of products.