

LG SIGNATURE

LUTG4519SN QUICK INSTALL & CLEARANCES

For full installation directions/clearances please refer to the corresponding User Manual and Installation Guide.

DIMENSIONS/CLEARANCES/WEIGHT

Shipping Weight	280 lbs.
Product Weight	225 lbs.
Cabinet Width (in)	30"
Overall Depth (in) - including handle	28-15/16"
Overall Depth (in) - including backguard	37-7/8"
Overall Width (in)	29-7/8"
Oven Interior Dimensions (Upper) (in) (W x H x D)	24-13/16" x 9-1/4" x 20"
Oven Interior Dimensions (Lower) (in) (W x H x D)	24-13/16" x 14-1/4" x 20"
Height to Cooking Surface (in)	36"
Carton Dimensions (in) (W x H x D)	31-31/32" x 51" x 30-17/32"

POWER/RATINGS

Amp at 120V	8.3A
kW at 120V	996W
Requirements	120 VAC



ELECTRICAL CONNECTIONS

120 Volt, 60 Hz, properly grounded dedicated circuit protected by a 15 or 20 Amp circuit breaker, or slow blow fuse.

If an external electrical source is utilized, the appliance, when installed, must be electrically grounded in accordance with local codes or, in the absence of local codes, with the National Electrical Code, ANSI/NFPA 70. IMPORTANT: FOR PERSONAL SAFETY, THIS APPLIANCE MUST BE PROPERLY GROUNDED.

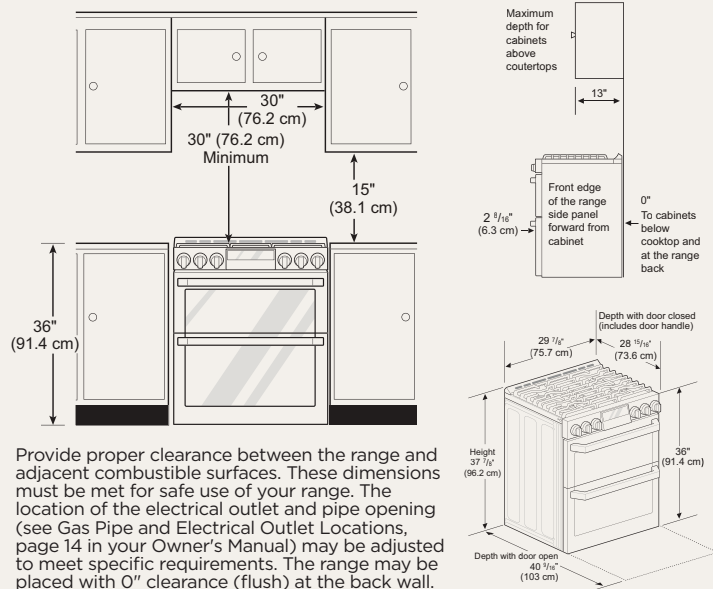
The power cord of this appliance is equipped with a 3-prong (grounding) plug which mates with a standard 3-prong grounding wall receptacle to minimize the possibility of electric shock hazard from this appliance. The customer should have the wall receptacle and circuit checked by a qualified electrician to make sure the receptacle is properly grounded.

Where a standard two-prong wall receptacle is encountered, it is the personal responsibility and obligation of the customer to have it replaced with a properly grounded three-prong wall receptacle. DO NOT, UNDER ANY CIRCUMSTANCES, CUT OR REMOVE THE THIRD (GROUND) PRONG FROM THE POWER CORD.

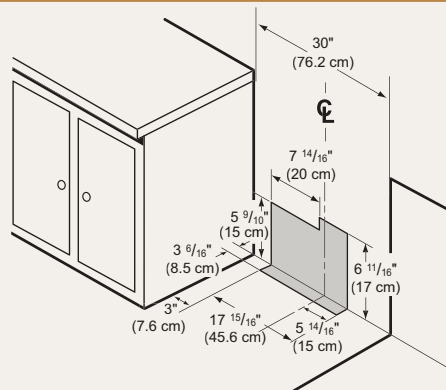
Preferred Method



DIMENSIONS AND CLEARANCES



GAS PIPE AND ELECTRICAL OUTLET LOCATIONS

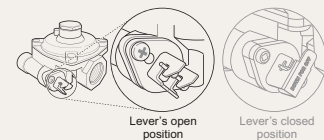


CONNECTING THE RANGE TO GAS

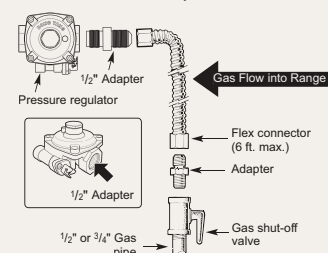
- Install a male 1/2" or 3/4" flare union adapter to the NPT internal thread of the manual shut-off valve, taking care to back-up the shut-off valve to keep it from turning.
- Install a male 1/2" flare union adapter to the 1/2" NPT internal thread at the inlet of the pressure regulator. Use a backup wrench on the pressure regulator fitting to prevent damage.
- Connect a flexible metal appliance connector to the adapter on the range. Position the range to permit connection at the shut-off valve.
- When all connections have been made, be sure all range controls are in the OFF position and the pressure regulator valve is open before turning on the main gas supply valve. Gas leaks may occur in the system and create a hazard. Gas leaks may not be detected by smell alone.
- Check all gas connection joints and fittings for leaks with a non-corrosive leak detection fluid, then wipe off.
- Gas suppliers recommend you purchase and install a UL approved gas detector. Install and use in accordance with the installation instructions.

Check that the gas pressure regulator valve is in the open position.

- NOTE: The gas pressure regulator valve is open when shipped. If the range does not work properly after installation, make sure the regulator valve is still open.



Flexible Connector Hookup



- Installer: Inform the consumer of the location of the gas shut-off valve.