



ARIENS
THE KING OF SNOW

Compact Series

Parts Manual

Models:

920025
920026
920027
920028
920317
920318
920321



THE MANUAL

Before you operate your unit, carefully and completely read manuals supplied with the unit. The contents will provide you with an understanding of safety instructions and controls during normal operation and maintenance.

For your safety and the safety of others always read, understand, and follow all DANGER, WARNING, and CAUTION messages found in manuals and on safety decals.

Hardware descriptions are given in decimals.

Decimals to Fractions			
.063	1/16	.563	9/16
.125	1/8	.625	5/8
.188	3/16	.688	11/16
.250	1/4	.750	3/4
.313	5/16	.813	13/16
.375	3/8	.875	7/8
.438	7/16	.938	15/16
.500	1/2	1.00	1

SERVICE AND REPLACEMENT PARTS

When ordering replacement parts or making service inquiries, know the Model and Serial numbers of your unit and engine.

Numbers are located on the product registration card in the unit literature package. They are printed on a serial number label, located on the frame of your unit.

- Record Unit Model and Serial numbers here:

- Record Engine Model and Serial numbers here:

UNAUTHORIZED REPLACEMENT PARTS

Use only Ariens replacement parts. The replacement of any part on this vehicle with anything other than an Ariens authorized replacement part may adversely affect the performance, durability, or safety of this unit and may void the warranty. Ariens disclaims liability for any claims or damages, whether warranty, property damage, personal injury or death arising out of the use of unauthorized replacement parts.

PRODUCT REGISTRATION

The Ariens dealer must register the product at the time of purchase. Registering the product will help the company process warranty claims or contact you with the latest service information. All claims meeting requirements during the limited warranty period will be honored, whether or not the product registration card is returned. Keep a proof of purchase if you do not register your unit.

Customer Note: If Dealer does not register your product, please fill out, sign and return the product registration card to Ariens or go to www.ariens.com.

YOUR SATISFACTION IS IMPORTANT

Questions? Please follow these helpful steps:

1. Refer to the manuals supplied with your unit.
They will guide you through safe and proper operation and maintenance.
They contain specifications on your unit.
If your questions are not answered in these manuals, go to step number two.

2. Contact Your Dealer.
Our dealers will be happy to supply any service or advice required to keep your unit operating at peak efficiency.

A factory trained staff is available to support your equipment needs. They stock genuine Ariens parts and lubricants manufactured with the same precision and skill as the original.

If your questions are not resolved by the support staff, ask for the manager or owner.

When contacting your Dealer supply your model and serial numbers.

TO SPEED PARTS ORDERING:

1. Know the model and serial numbers of your unit.
2. Know the part number required.
3. Know the quantity required.
4. Know the part description.

MODELS

Model 920025 (Classic 24)

Serial No. 000101+

Model 920026 (Compact 20)

Serial No. 000101+

Model 920027 (Compact 24)

Serial No. 000101+

Model 920028 (Compact 22 Track)

Serial No. 000101+

Model 920317 (Compact 22 Recoil CE)

Serial No. 250000+

Model 920318 (Compact 24 Track CE)

Serial No. 250000+

Model 920321 (Compact 24 CE)

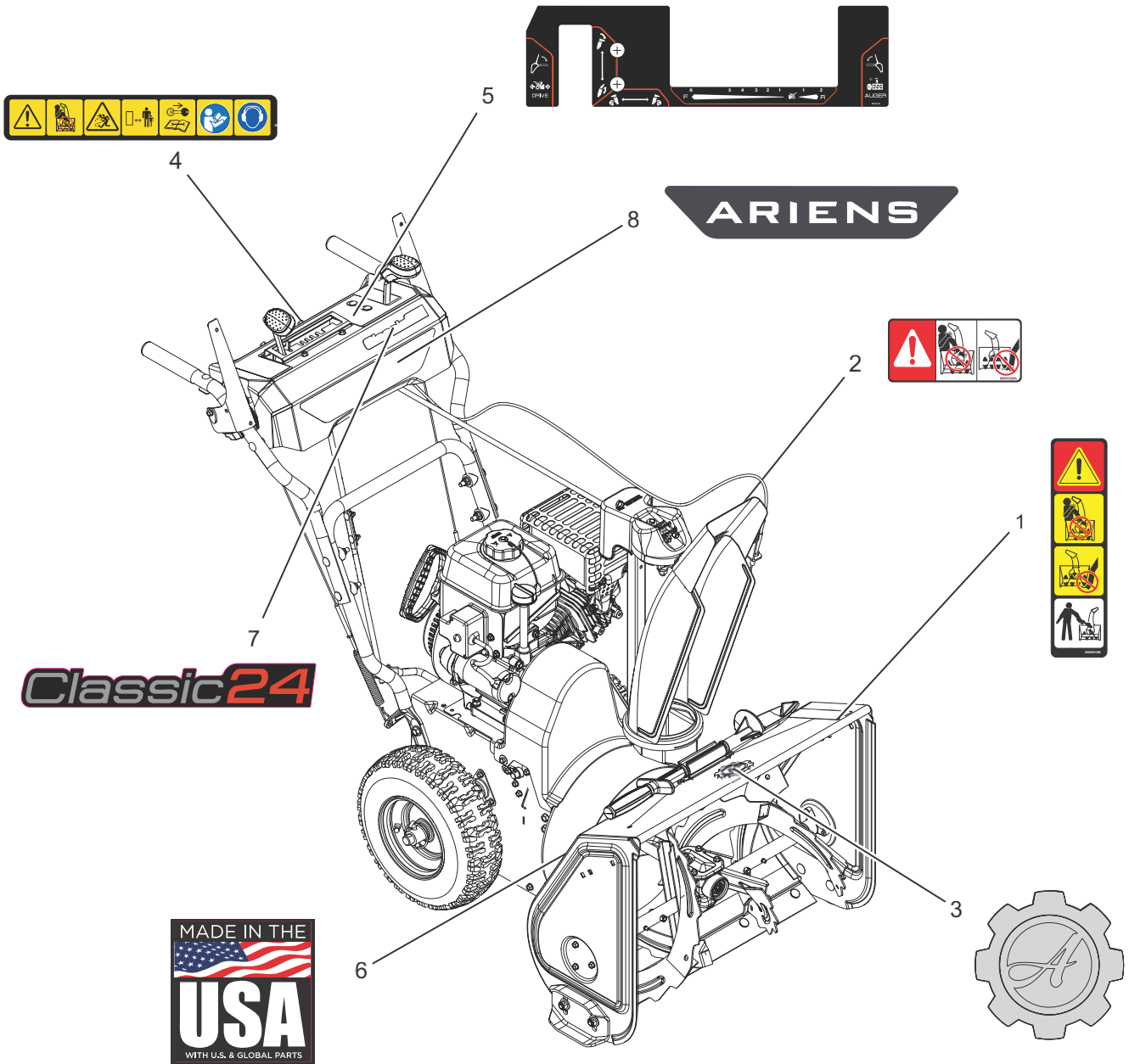
Serial No. 250000+

TABLE OF CONTENTS

Decals – 24"	4
Decals – 24"	5
Decals – Track	6
Decals – 20"	7
Decals – 22"	8
Frame and Engine – 24"	9
Frame and Engine — 20" & 24"	10
Frame and Engine — 22"	11
Frame and Engine — 24" Track CE	12
Frame and Engine – 24"	13
Brakes and Idlers	14
Friction Drive	15
Friction Drive — Track	16
Wheels and Axle – 24"	17
Wheels and Axle – 20"	18
Wheels and Axle – 24"	19
Tracks	20
Track Axles	21
Track Controls	22
Gear Case – 24"	23
Gear Case – 20"	24
Gear Case – 22"	25
Auger and Impeller – 24"	26
Auger and Impeller – 20"	27
Auger and Impeller – 22"	28
Handlebars	29
Controls	30
Controls	31
Dash	32
Dash – Track	33
Dash – 22" CE	34
Housing – 24"	35
Housing – 20"	36
Housing – 22"	37
Discharge Chute	38
Discharge Chute – 22" CE	39
Discharge Chute Controls	40
Electrical and Wiring Diagram	41

DECALS – 24"

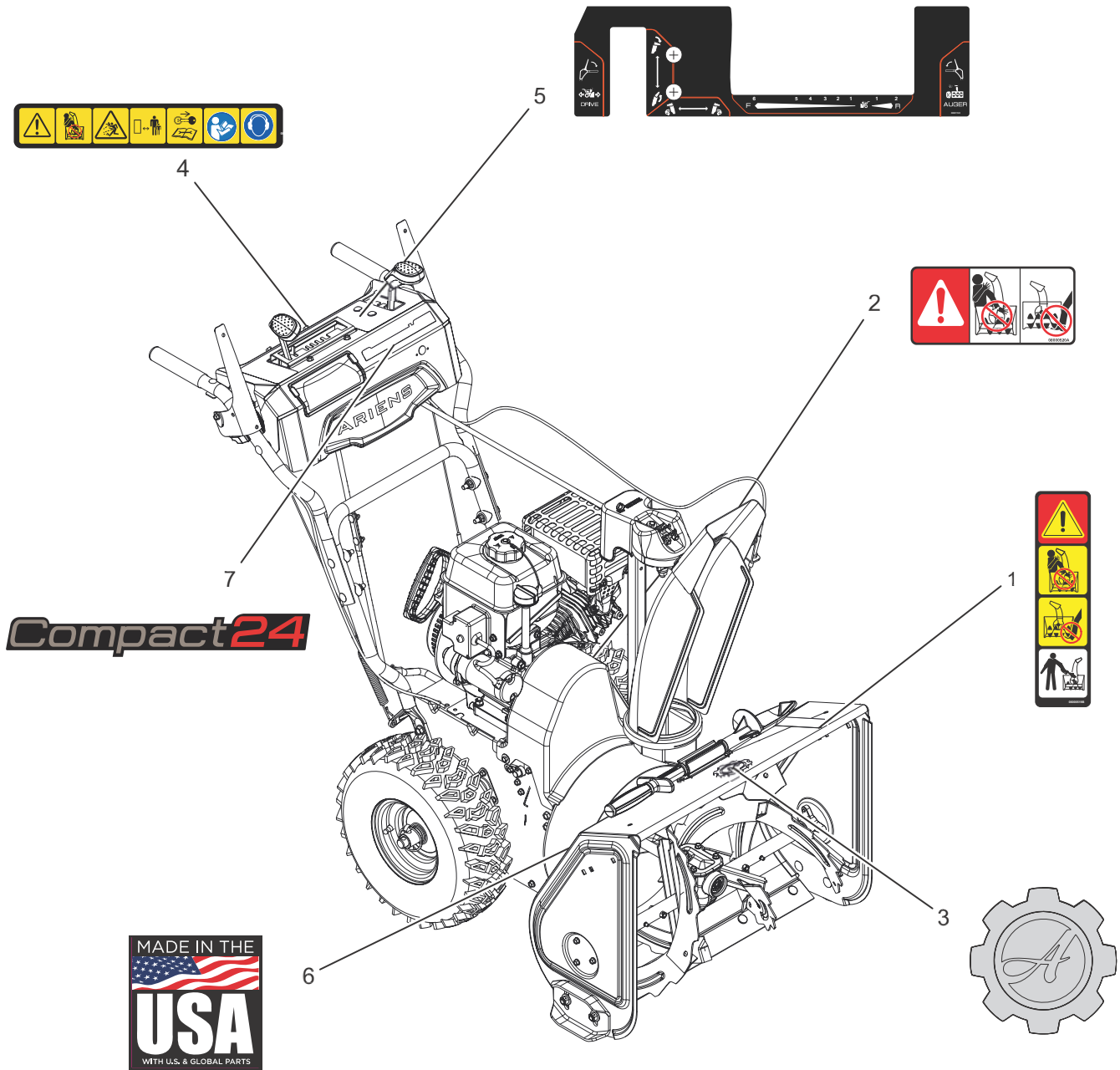
Model 920025



BOM ID	Number	Qty	Description
1	08000519	1	DECAL, DANGER -ROTATING PARTS
2	08000520	1	DECAL, DANGER
3	07800837	1	DECAL, ARIENS - GEAR BADGE (THK)
4	08000945	1	DECAL, SAFETY DASH
5	08001120	1	DECAL, CONTROL -SML, AT, ID
6	08001038	1	DECAL, MADE IN USA
7	08001134	1	DECAL, DASH - CLASSIC 24
8	08001102	1	DECAL, DASH BRAND - ARIENS PB

DECALS – 24"

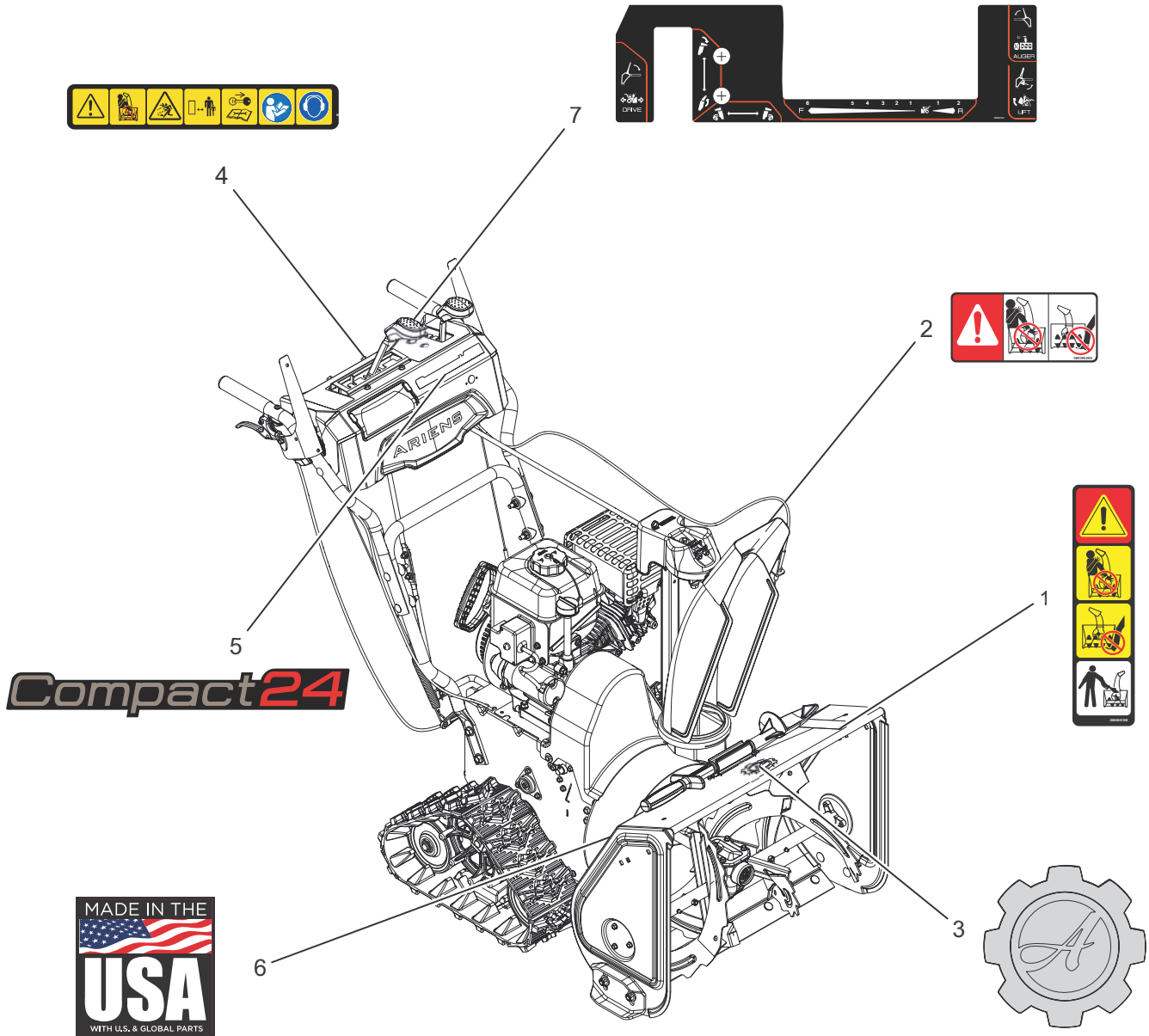
Models 920027, 321



BOM ID	Number	Qty	Description
1	08000519	1	DECAL, DANGER -ROTATING PARTS
2	08000520	1	DECAL, DANGER
3	07800837	1	DECAL, ARIENS - GEAR BADGE (THK)
4	08000945	1	DECAL, SAFETY DASH
5	08001120	1	DECAL, CONTROL -SML, AT, ID
6	08001038	1	DECAL, MADE IN USA
7	08001016	1	DECAL, DASH - COMPACT 24

DECALS – TRACK

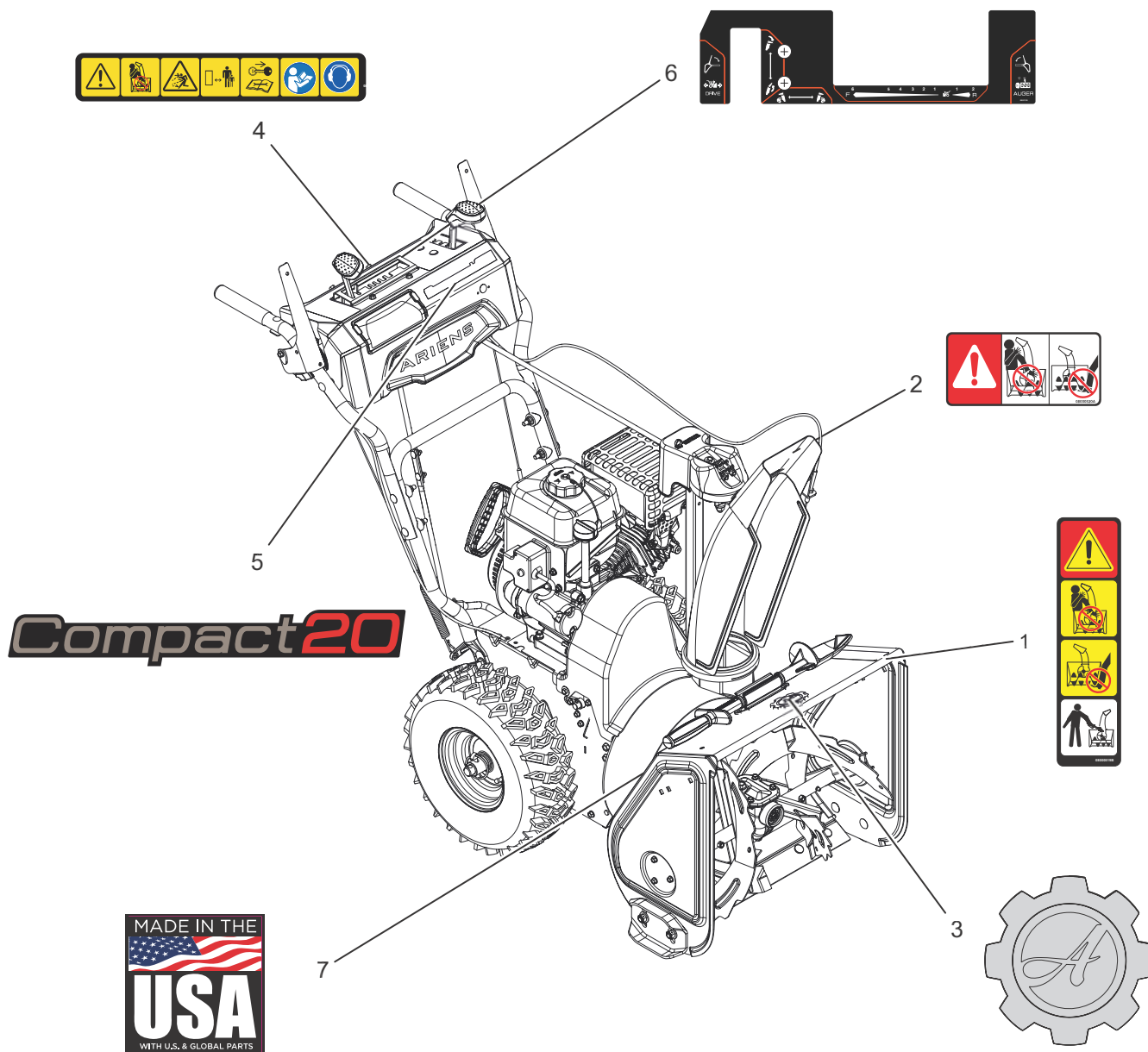
Models 920028, 318



BOM ID	Number	Qty	Description
1	08000519	1	DECAL, DANGER -ROTATING PARTS
2	08000520	1	DECAL, DANGER
3	07800837	1	DECAL, ARIENS - GEAR BADGE (THK)
4	08000945	1	DECAL, SAFETY DASH
5	08001016	1	DECAL, DASH - COMPACT 24
6	08001038	1	DECAL, MADE IN USA
7	08001122	1	DECAL, CONTROL -SML, AT, ID

DECALS – 20"

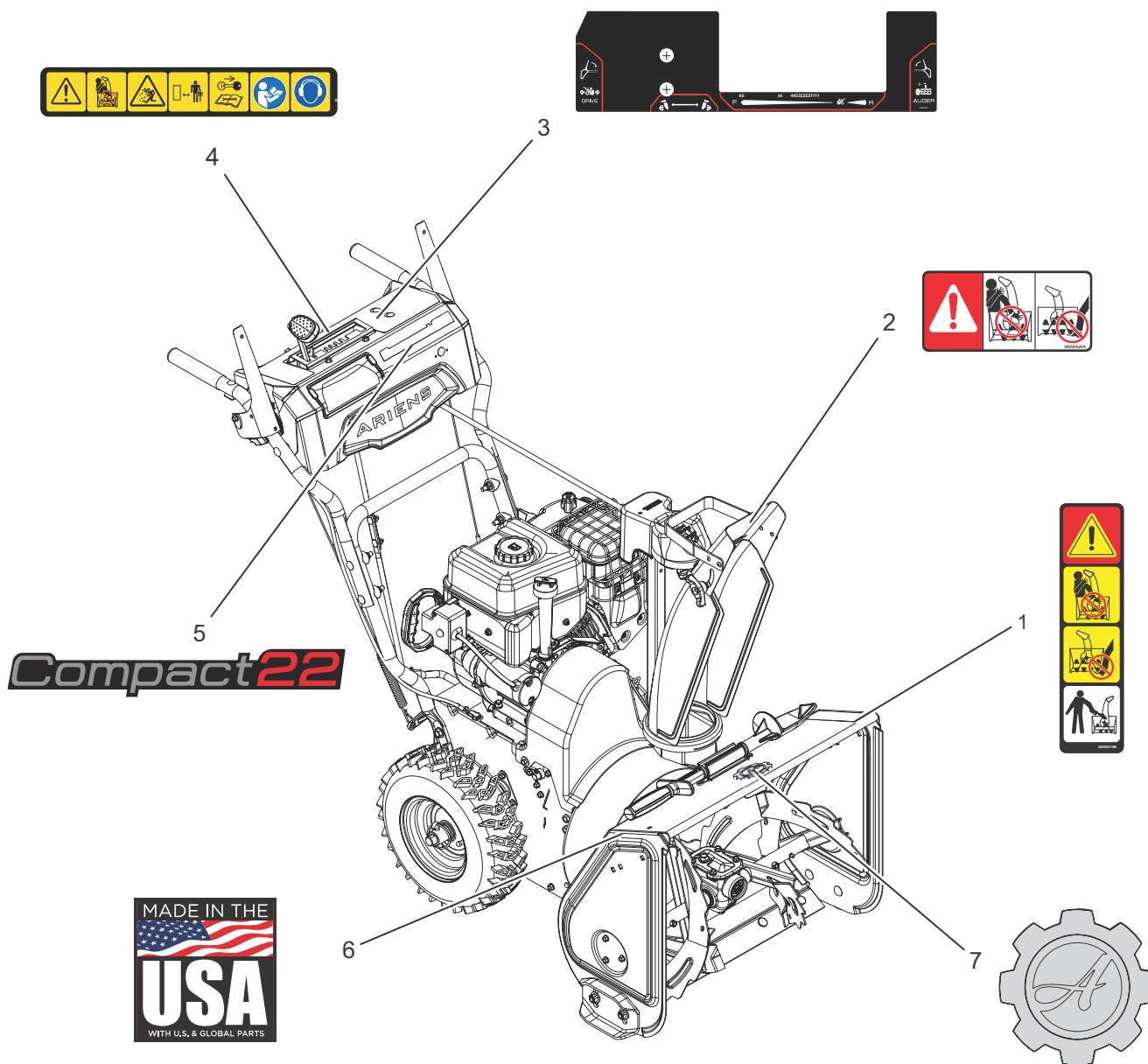
Model 920026



BOM ID	Number	Qty	Description
1	08000519	1	DECAL, DANGER -ROTATING PARTS
2	08000520	1	DECAL, DANGER
3	07800837	1	DECAL, ARIENS - GEAR BADGE (THK)
4	08000945	1	DECAL, SAFETY DASH
5	08001032	1	DECAL, DASH - COMPACT 20
6	08001120	1	DECAL, CONTROL -SML, AT, ID
7	08001038	1	DECAL, MADE IN USA

DECALS – 22"

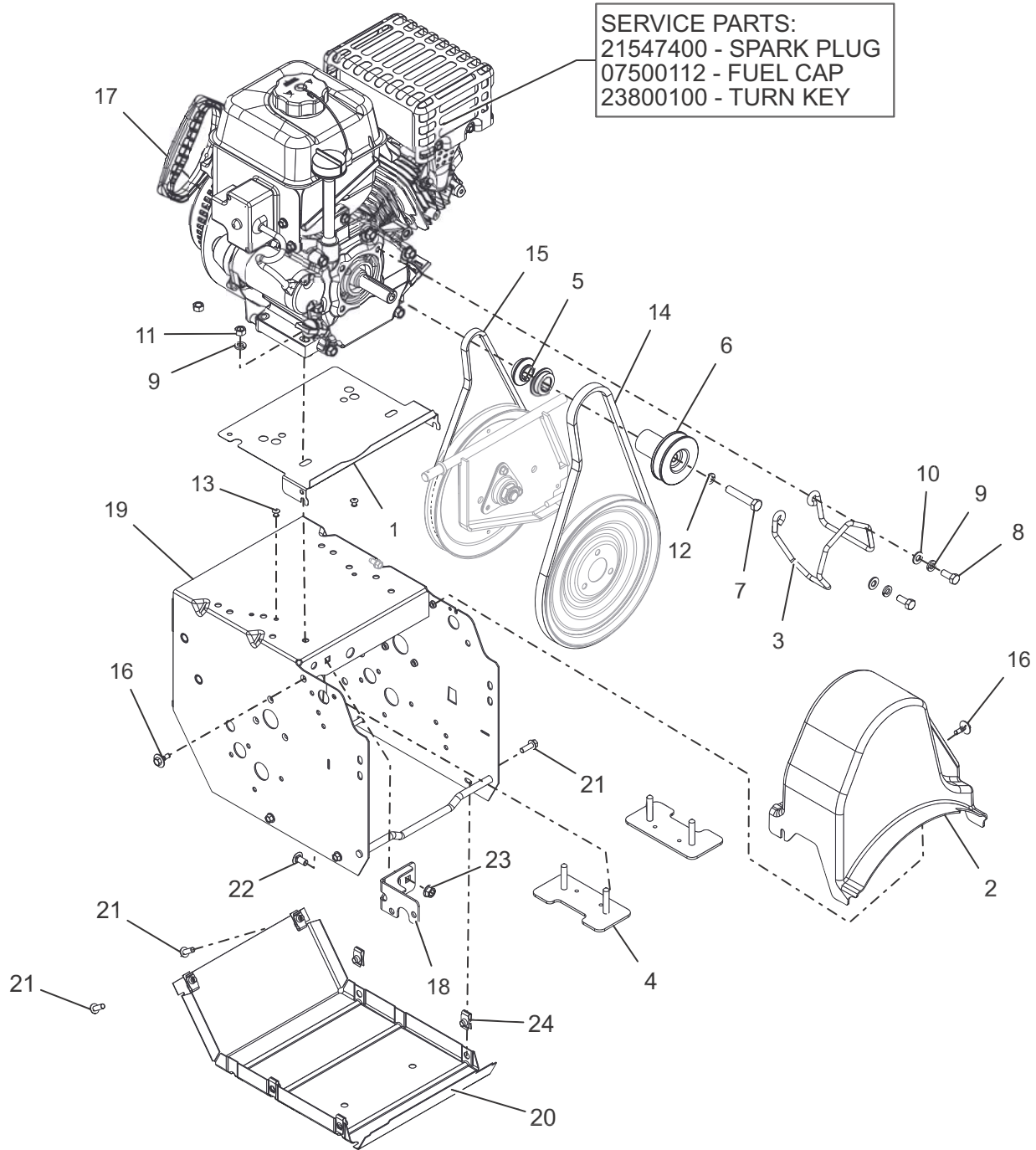
Model 920317



BOM ID	Number	Qty	Description
1	08000519	1	DECAL, DANGER -ROTATING PARTS
2	08000520	1	DECAL, DANGER
3	08001121	1	DECAL, CONTROL -SML, AT, ID
4	08000945	1	DECAL, SAFETY DASH
5	08001109	1	DECAL, DASH - COMPACT 22
6	08001038	1	DECAL, MADE IN USA
7	07800837	1	DECAL, ARIENS - GEAR BADGE (THK)

FRAME AND ENGINE – 24"

Models 920025, 321



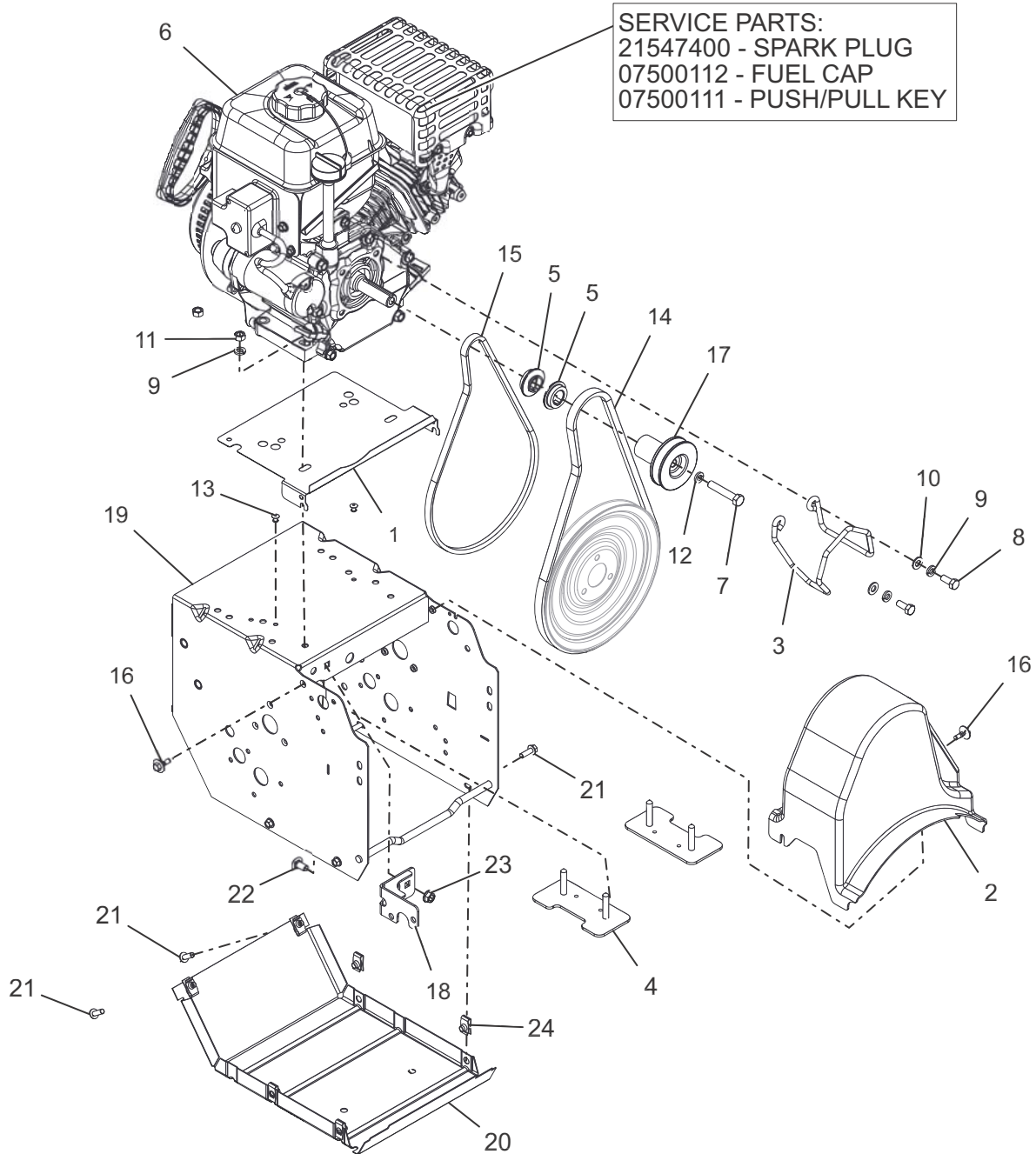
SERVICE PARTS:
 21547400 - SPARK PLUG
 07500112 - FUEL CAP
 23800100 - TURN KEY

BOM ID	Number	Qty	Description
1	04895151	1	BAFFLE, COMPACT (BLACK)
2	03881000	1	COVER, COMPACT BELT
3	04561800	1	FINGER, BELT
4	04334100	2	STRAP, ENGINE BOLT-WLDMT
5	09735700	2	TRACTION, SHEAVE HALF
6	04827100	1	SHEAVE, AUGER 3/4" PM
7	05958600	1	BLT-HEX .38-24X2.00 YWZC GR5
8	05947300	2	BLT-HEX .31-24X.75 GR5 YWZC
9	06307400	4	WSHR-LK .31X.097 HVY YWZC
10	06437200	2	WSHR-FL-STL.344X.688X.065YWZC
11	06529200	4	NUT-HEX .31-18 YWZC
12	06307400	1	WSHR-LK .31X.097 HVY YWZC
13	06800028	2	RVT-POP .187x.250 (#64) YWZC

BOM ID	Number	Qty	Description
14	07200725	1	V-BELT, HA - RAW EDGE LAMINATED
15	07200603	1	V-BELT, 3L-WRAPPED CLUTCHING
16	07400108	2	SCR, TAP .25-20 X.5 CAPTIVE
17	08201239	1	ENGINE, ARIENS AX208 120V
18	00657059	1	WLDMT, FRAME BRKT
19	04885359	1	FRAME, MAIN - WELDMNT (ORANGE)
20	00492359	1	COVER, BOTTOM
21	05900019	6	BLT-HEX .25-20X.75 HWH YWZC GR5
22	06212200	1	BLT-RHDSSQNK .31-18X.62 G5YZ
23	06543100	1	NUT, LK-TOP-FLG .312-18 YWZC
24	07009000	6	NUT, RTNR .25-20 X .56

FRAME AND ENGINE — 20" & 24"

Models 920026, 027



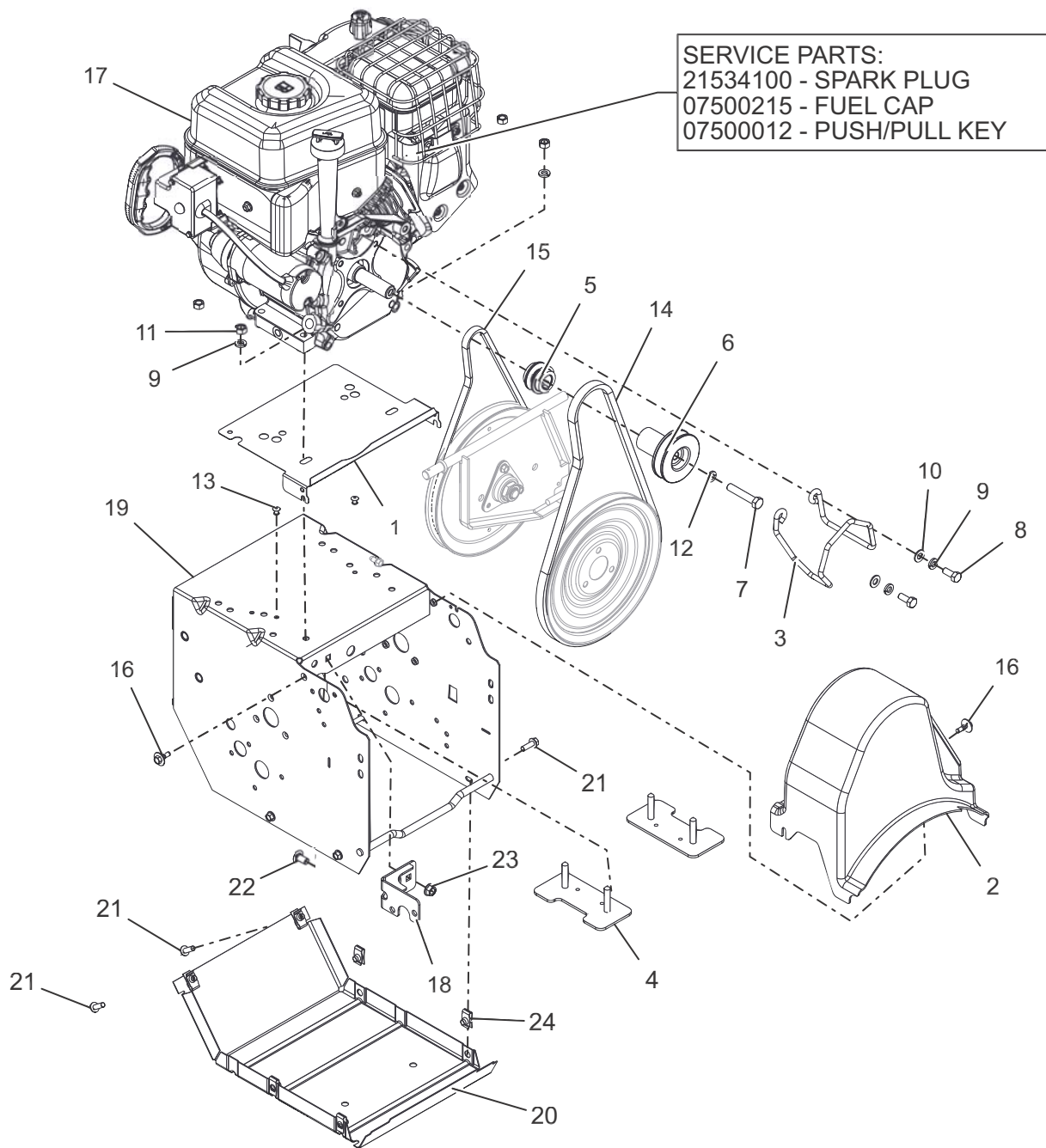
SERVICE PARTS:
 21547400 - SPARK PLUG
 07500112 - FUEL CAP
 07500111 - PUSH/PULL KEY

BOM ID	Number	Qty	Description
1	04895151	1	BAFFLE, COMPACT (BLACK)
2	03881000	1	COVER, COMPACT BELT
3	04561800	1	FINGER, BELT
4	04334100	2	STRAP, ENGINE BOLT-WLDMT
5	09735700	2	TRACTION, SHEAVE HALF
6	08201238	1	ENGINE, ARIENS AX223 120V
7	05958600	1	BLT-HEX .38-24X2.00 YWZC GR5
8	05947300	2	BLT-HEX .31-24X.75 GR5 YWZC
9	06307400	4	WSHR-LK .31X.097 HVY YWZC
10	06437200	2	WSHR-FL-STL.344X.688X.065YWZC
11	06529200	4	NUT-HEX .31-18 YWZC
12	06307400	1	WSHR-LK .31X.097 HVY YWZC
13	06800028	2	RVT-POP .187x.250 (#64) YWZC

BOM ID	Number	Qty	Description
14	07200725	1	V-BELT, HA - RAW EDGE LAMINATED
15	07200603	1	V-BELT, 3L-WRAPPED CLUTCHING
16	07400108	2	SCR, TAP .25-20 X.5 CAPTIVE
17	04827100	1	SHEAVE, AUGER 3/4" PM
18	00657059	1	WLDMT, FRAME BRKT
19	04885359	1	FRAME, MAIN - WELDMT (ORANGE)
20	00492359	1	COVER, BOTTOM
21	05900019	6	BLT-HEX .25-20X.75 HWH YWZC GR5
22	06212200	1	BLT-RHDSSQNK .31-18X.62 G5YZ
23	06543100	1	NUT, LK-TOP-FLG .312-18 YWZC
24	07009000	6	NUT, RTNR .25-20 X .56

FRAME AND ENGINE — 22"

Model 920317



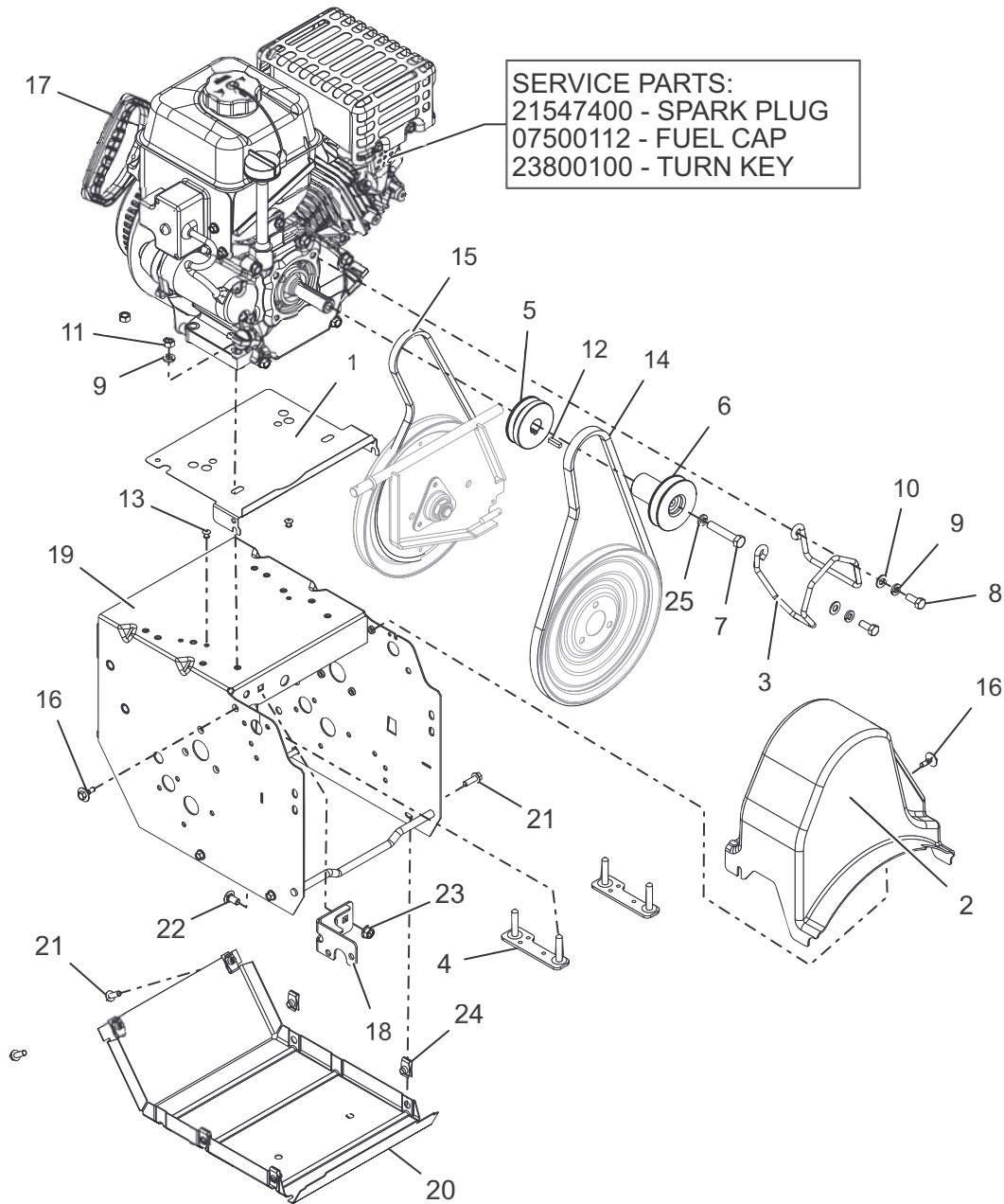
SERVICE PARTS:
 21534100 - SPARK PLUG
 07500215 - FUEL CAP
 07500012 - PUSH/PULL KEY

BOM ID	Number	Qty	Description
1	04895151	1	BAFFLE, COMPACT (BLACK)
2	03881000	1	COVER, COMPACT BELT
3	04561800	1	FINGER, BELT
4	04334100	2	STRAP, ENGINE BOLT-WLDMT
5	09735700	2	TRACTION, SHEAVE HALF
6	04827100	1	SHEAVE, AUGER 3/4" PM
7	05958600	1	BLT-HEX .38-24X2.00 YWZC GR5
8	05947300	2	BLT-HEX .31-24X.75 GR5 YWZC
9	06307400	4	WSHR-LK .31X.097 HVY YWZC
10	06437200	2	WSHR-FL-STL.344X.688X.065YWZC
11	06529200	4	NUT-HEX .31-18 YWZC
12	06307400	1	WSHR-LK .31X.097 HVY YWZC
13	06800028	2	RVT-POP .187x.250 (#64) YWZC

BOM ID	Number	Qty	Description
14	07200725	1	V-BELT, HA - RAW EDGE LAMINATED
15	07200603	1	V-BELT, 3L-WRAPPED CLUTCHING
16	07400108	2	SCR, TAP .25-20 X.5 CAPTIVE
17	08200804	1	ENGINE, BRIGGS
18	00657059	1	WLDMT, FRAME BRKT
19	04885359	1	FRAME, MAIN - WELDMENT (ORANGE)
20	00492359	1	COVER, BOTTOM
21	05900019	6	BLT-HEX .25-20X.75 HWH YWZC GR5
22	06212200	1	BLT-RHDSSQNK .31-18X.62 G5YZ
23	06543100	1	NUT, LK-TOP-FLG .312-18 YWZC
24	07009000	6	NUT, RTNR .25-20 X .56

FRAME AND ENGINE — 24" TRACK

Model 920028



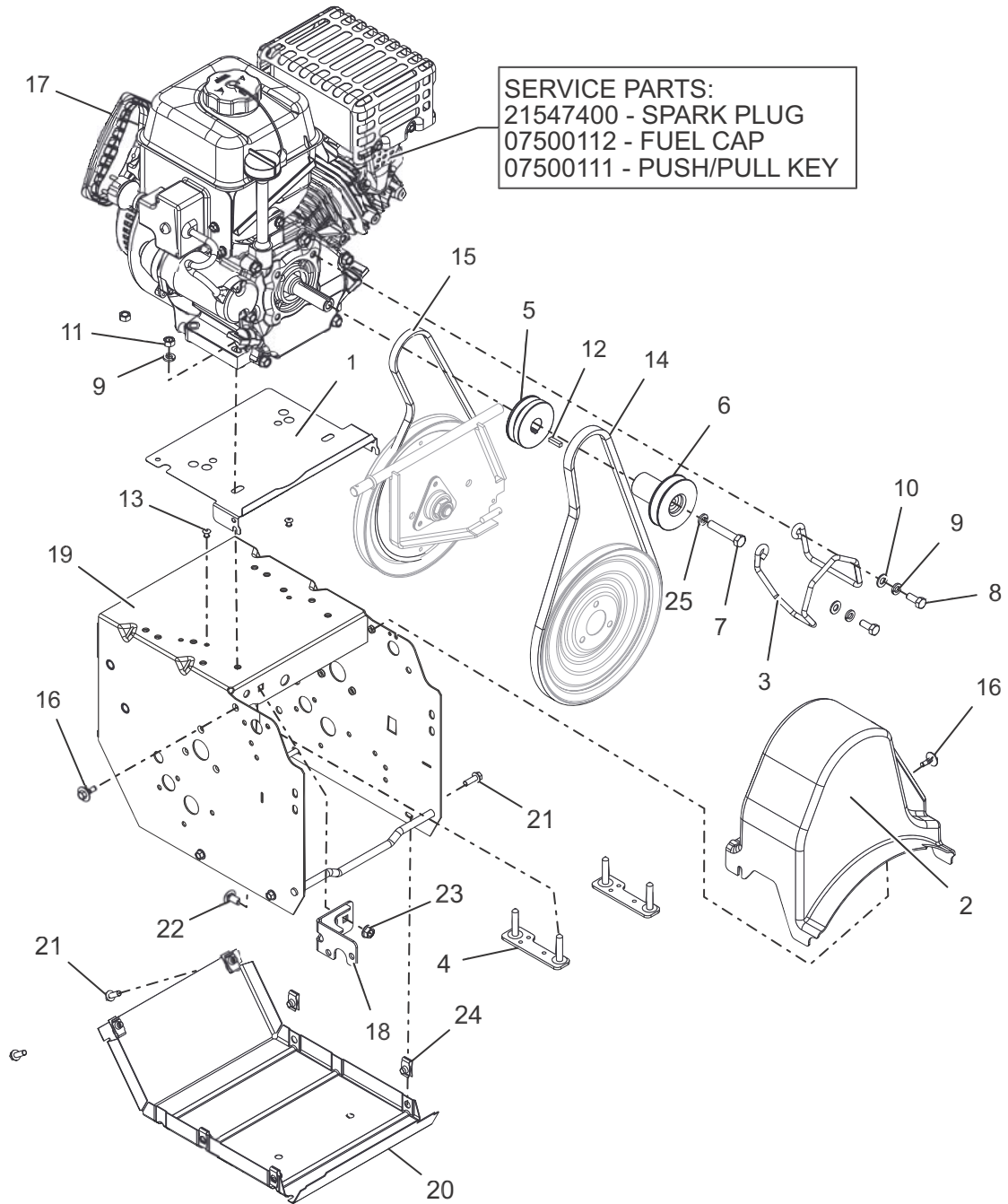
SERVICE PARTS:
 21547400 - SPARK PLUG
 07500112 - FUEL CAP
 23800100 - TURN KEY

BOM ID	Number	Qty	Description
1	04895151	1	BAFFLE, COMPACT (BLACK)
2	03881000	1	COVER, COMPACT BELT
3	04561800	1	FINGER, BELT
4	00188400	2	WLDMT, STRAP ENGINE BOLT
5	04553400	1	SHEAVE, TRACTION - COMPACT TRACK
6	04498800	1	SHEAVE, AUGER 3/4" PM
7	05958600	1	BLT-HEX .38-24X2.00 YWZC GR5
8	05947300	2	BLT-HEX .31-24X.75 GR5 YWZC
9	06307400	4	WSHR-LK .31X.097 HVY YWZC
10	06437200	2	WSHR-FL-STL.344X.688X.065YWZC
11	06529200	4	NUT-HEX .31-18 YWZC
12	06606100	1	KEY-SQ .188X.188X.750
13	06800028	2	RVT-POP .187x.250 (#64) YWZC

BOM ID	Number	Qty	Description
14	07200725	1	V-BELT, HA - RAW EDGE LAMINATED
15	07200114	1	V-BELT, 3L-WRAPPED CLUTCHING (NO RUBBER BLEED THRU)
16	07400108	2	SCR, TAP .25-20 X.5 CAPTIVE
17	08201238	1	ENGINE, ARIENS AX223 120V
18	00657059	1	WLDMT, FRAME BRKT
19	04875659	1	FRAME, MAIN - WELDMENT (ORANGE)
20	00492359	1	COVER, BOTTOM
21	05900019	6	BLT-HEX .25-20X.75 HWH YWZC GR5
22	06212200	1	BLT-RHSSQNK .31-18X.62 G5YZ
23	06543100	1	NUT, LK-TOP-FLG .312-18 YWZC
24	07009000	6	NUT, RTNR .25-20 X .56
25	06307400	1	WSHR-LK .31X.097 HVY YWZC

FRAME AND ENGINE – 24" TRACK CE

Model 920318



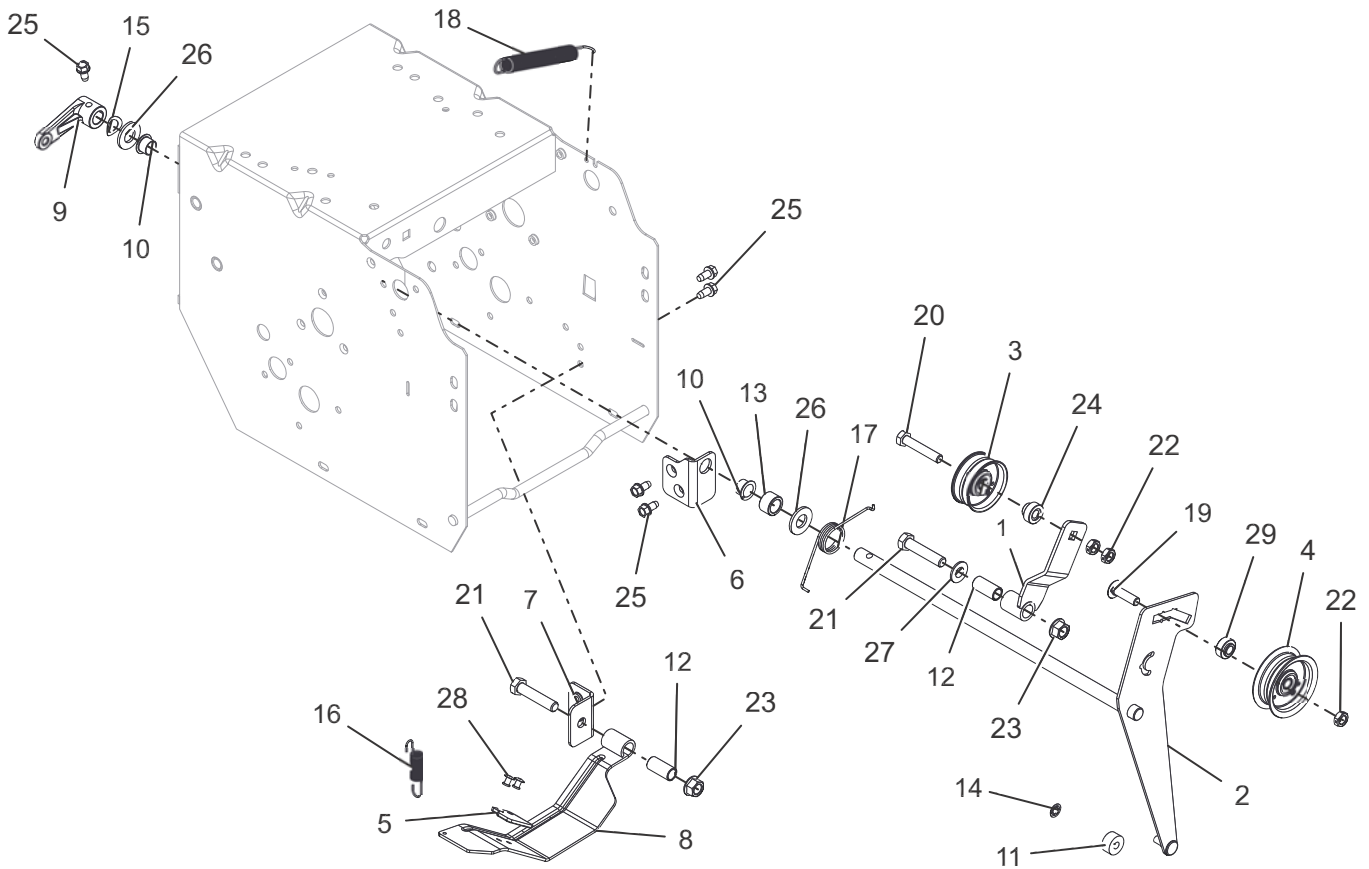
SERVICE PARTS:
 21547400 - SPARK PLUG
 07500112 - FUEL CAP
 07500111 - PUSH/PULL KEY

BOM ID	Number	Qty	Description
1	04895151	1	BAFFLE, COMPACT (BLACK)
2	03881000	1	COVER, COMPACT BELT
3	04561800	1	FINGER, BELT
4	00188400	2	WLDMT, STRAP ENGINE BOLT
5	04553400	1	SHEAVE, TRACTION - COMPACT TRACK
6	04498800	1	SHEAVE, AUGER 3/4" PM
7	05958600	1	BLT-HEX .38-24X2.00 YWZC GR5
8	05947300	2	BLT-HEX .31-24X.75 GR5 YWZC
9	06307400	4	WSHR-LK .31X.097 HVY YWZC
10	06437200	2	WSHR-FL-STL .344X.688X.065YWZC
11	06529200	4	NUT-HEX .31-18 YWZC
12	06606100	1	KEY-SQ .188X.188X.750
13	06800028	2	RVT-POP .187x.250 (#64) YWZC

BOM ID	Number	Qty	Description
14	07200725	1	V-BELT, HA - RAW EDGE LAMINATED
15	07200114	1	V-BELT, 3L-WRAPPED CLUTCHING (NO RUBBER BLEED THRU)
16	07400108	2	SCR, TAP .25-20 X.5 CAPTIVE
17	08200922	1	ENGINE, ARIENS
18	00657059	1	WLDMT, FRAME BRKT
19	04875659	1	FRAME, MAIN - WELDMENT (ORANGE)
20	00492359	1	COVER, BOTTOM
21	05900019	6	BLT-HEX .25-20X.75 HWH YWZC GR5
22	06212200	1	BLT-RHDSSQNK .31-18X.62 G5YZ
23	06543100	1	NUT, LK-TOP-FLG .312-18 YWZC
24	07009000	6	NUT, RTNR .25-20 X .56
25	06307400	1	WSHR-LK .31X.097 HVY YWZC

BRAKES AND IDLERS

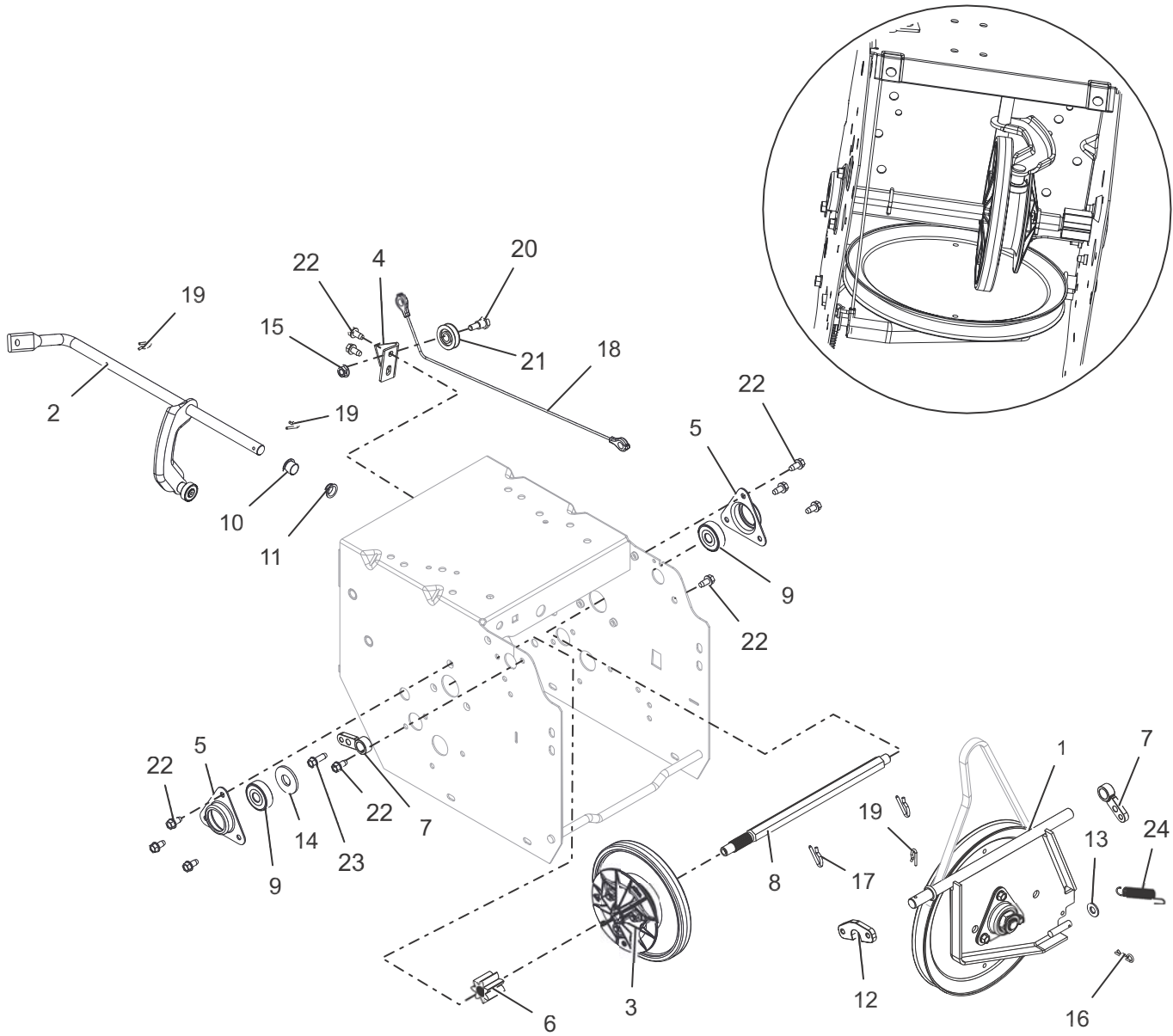
Models All



BOM ID	Number	Qty	Description
1	00493667	1	WLDMT, TRACTION IDLER ARM
2	04892167	1	WLDMT, ATTACHMENT IDLER ARM
3	07338500	1	IDLER, FLAT - 1.875"
4	07338900	1	IDLER, FLAT - 2.00"
5	00180500	1	PAD, BRAKE
6	00495051	1	BRKT, MOUNT - IDLER ARM
7	00495251	1	BRKT, BRAKE MOUNT
8	52000500	1	ARM, BRAKE - W/PAD
9	01987100	1	ARM, CLUTCH - ATTACHMENT
10	05500026	2	BUSHING, POLYLINER - .50 SPLIT
11	05500037	1	BSHG, SLV .265 X .625 X .375
12	05500106	2	BSHG, SLV .385 X .500 X 1.045
13	05500107	1	BSHG, SLV .510 X .751 X .475
14	05717600	1	RG-RTNG-EXT .250 X .010
15	06400005	1	WSHR, WAVE .50X.75X.015 .13FRHT
16	08300104	1	SPRG, EXTENSION
17	08300326	1	SPRG, TORSION
18	08300528	1	SPRG, EXTENSION
19	06200124	1	BLT-RDHDSQSHNK .31-18X1.125 G5YWZC
20	05957400	1	BOLT, HEX 0.313-18X1.75 GR5
21	05958500	2	BOLT, HEX 0.375-16X1.75 GR5
22	06500011	3	NUT-LK-CTR-JAM .31-18 YWZC
23	06542000	2	NUT, LK-TOP-FLG .38-16 YWZC
24	05501114	1	BSHG, FLG .315X.500X.481X.281
25	07400034	5	SCR-TAP .25-20X.50 HWH TR YWZ
26	06441900	2	WSHR-FL-STL.531X1.06X.095YWZC
27	06436200	1	WSHR-FL-STL.406X.812X.065 YWZ
28	06800028	2	RVT-POP .187x.250 (#64) YWZC
29	05501115	1	BSHG, FLG .315X.500X.358X.281

FRICION DRIVE

Models 920025, 026, 027, 317, 321

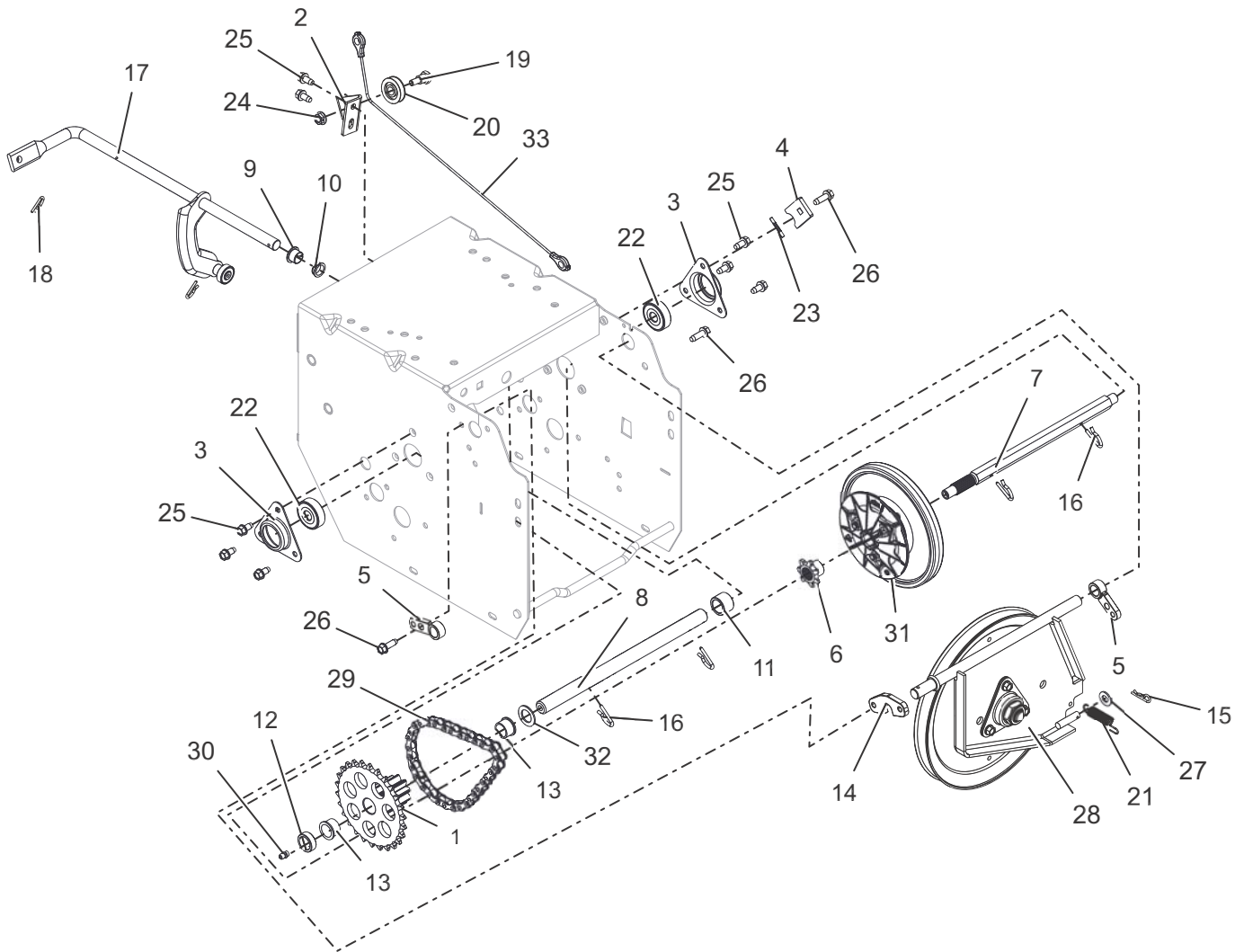


BOM ID	Number	Qty	Description
1	52105000	1	PLATE, SWING-ASSY
2	04848100	1	ARM, SHIFT - SMALL DASH (WLDMT)
3	04861600	1	DISK, FRICTION - ASSEMBLY
4	00373051	1	BRKT, CABLE PULLEY
5	00383000	2	FLANGE, BRG
6	00493900	1	GEAR, 7T PINION
7	03374500	2	BSHG, SUPPORT - SWING GATE
8	04149500	1	SHAFT, HEX W/SPLINE
9	05435200	2	BRG-BALL .437X1.375X.437
10	05500026	1	BUSHING, POLYLINER - .50 SPLIT
11	05500028	1	BSHG, POLYLINER - .50 SNAP-IN
12	05500113	1	SPCR, SWING GATE
13	06437200	1	WSHR-FL-STL.344X.688X.065YWZC

BOM ID	Number	Qty	Description
14	06442000	1	WSHR-FL-STL.563X1.38X.109YWZC
15	06500710	1	NUT, LK-CTR-FLG .25-20 YWZC
16	06713500	1	PIN, HAIR INT .08X.18X1.18 YWZC
17	06714500	2	PIN, SPRING CLIP
18	06900504	1	CABLE, LOWER TRACTION (CMPCT)
19	06944800	3	CLIP, SPRING
20	07000021	1	BOLT, SHLDR -.375 X .375 X .25-20
21	07300012	1	PULLEY, CABLE
22	07400034	10	SCR-TAP .25-20X.50 HWH TR YWZ
23	07400111	1	SCR-TAP .25-20X.75 HWH TR YWZ
24	08300036	1	SPRG, EXTENSION

FRICION DRIVE — TRACK

Models 920028, 318

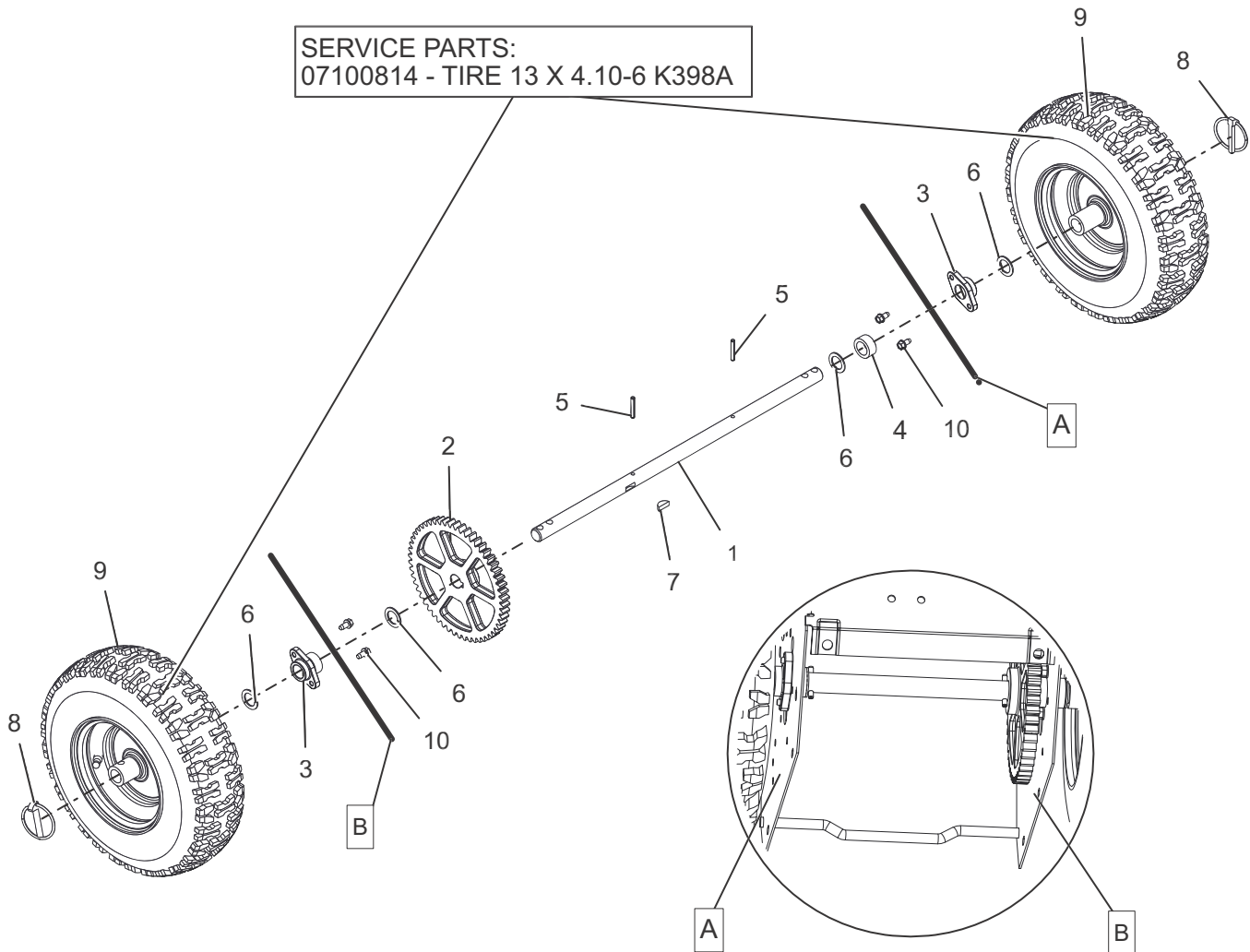


BOM ID	Number	Qty	Description
1	00190600	1	PINION, SPROCKET
2	00373051	1	BRKT, CABLE PULLEY
3	00383000	2	FLANGE, BRG
4	00503500	1	TAB, ANTI - ROTATION
5	03374500	2	BSHG, SUPPORT - SWING GATE
6	04092600	1	SPROCKET, PINION 7T W/SPLINE
7	04512800	1	SHAFT, HEX -W/SPLINE TRACK
8	04512900	1	SHAFT, PINION
9	05500026	1	BUSHING, POLYLINER - .50 SPLIT
10	05500028	1	BSHG, POLYLINER - .50 SNAP-IN
11	05500029	1	SPCR, .635 X .880 X .611
12	05500035	1	BSHG, SLV, .635X.880X.305
13	05500111	2	BSHG, FLG .625 X .750 X .500 X .875
14	05500113	1	SPCR, SWING GATE
15	06713500	1	PIN, HAIR INT .08X.18X1.18 YWZC
16	06714500	4	PIN, SPRING CLIP
17	04987300	1	ARM, SHIFT - ASSEMBLY (SMALL DASH)

BOM ID	Number	Qty	Description
18	06944800	2	CLIP, SPRING
19	07000021	1	BOLT, SHLDR -.375 X .375 X .25-20
20	07300012	1	PULLEY, CABLE
21	08300036	1	SPRG, EXTENSION
22	05435200	2	BRG-BALL .437X1.375X.437
23	05800205	1	PIN-GRV .125X1.00 TP E
24	06500710	1	NUT, LK-CTR-FLG .25-20 YWZC
25	07400034	8	SCR-TAP .25-20X.50 HWH TR YWZ
26	07400111	3	SCR-TAP .25-20X.75 HWH TR YWZ
27	06437200	1	WSHR-FL-STL.344X.688X.065YWZC
28	52105000	1	PLATE, SWING-ASSY
29	02466200	1	CHAIN, ROLLER
30	07061300	1	ZERK, FITTING .25X.125 DRIVE IN
31	04861600	1	DISK, FRICTION - ASSEMBLY
32	06436100	1	WSHR-FL-STL .630X1.005X.062 YWZC
33	06900504	1	CABLE, LOWER TRACTION (CMPCT)

WHEELS AND AXLE – 24"

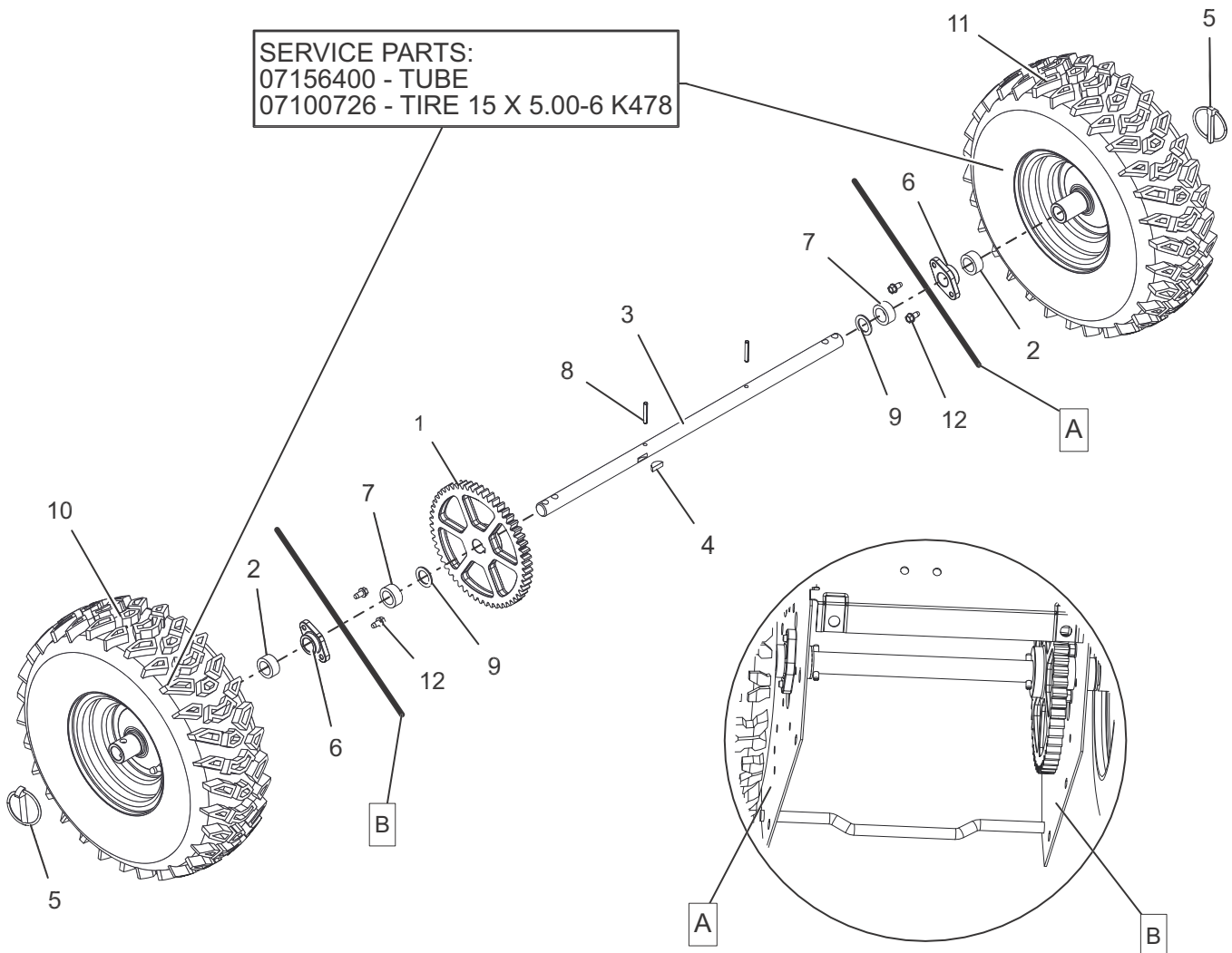
Models 920025, 317



BOM ID	Number	Qty	Description
1	00494200	1	SHAFT, AXLE
2	00657800	1	SPUR, GEAR 54T .75ID X 6.75PD
3	05500101	2	BSHG, .75 X 1.25 X .65
4	05500140	1	BSHG, SLV .766X1.125X.500
5	05800300	2	PIN-ROLL .188X1.25
6	06441400	4	WSHR-FL-STL .754X1.125X.062 YWZC
7	06601200	1	KEY, WDRF .25X.750X.313 SAE91
8	07053700	2	PIN, LOCK .31X1.75
9	07100811	2	TIRE/WHEEL, 13X4.10-6 K398A
10	07400034	4	SCR-TAP .25-20X.50 HWH TR YWZ

WHEELS AND AXLE – 20"

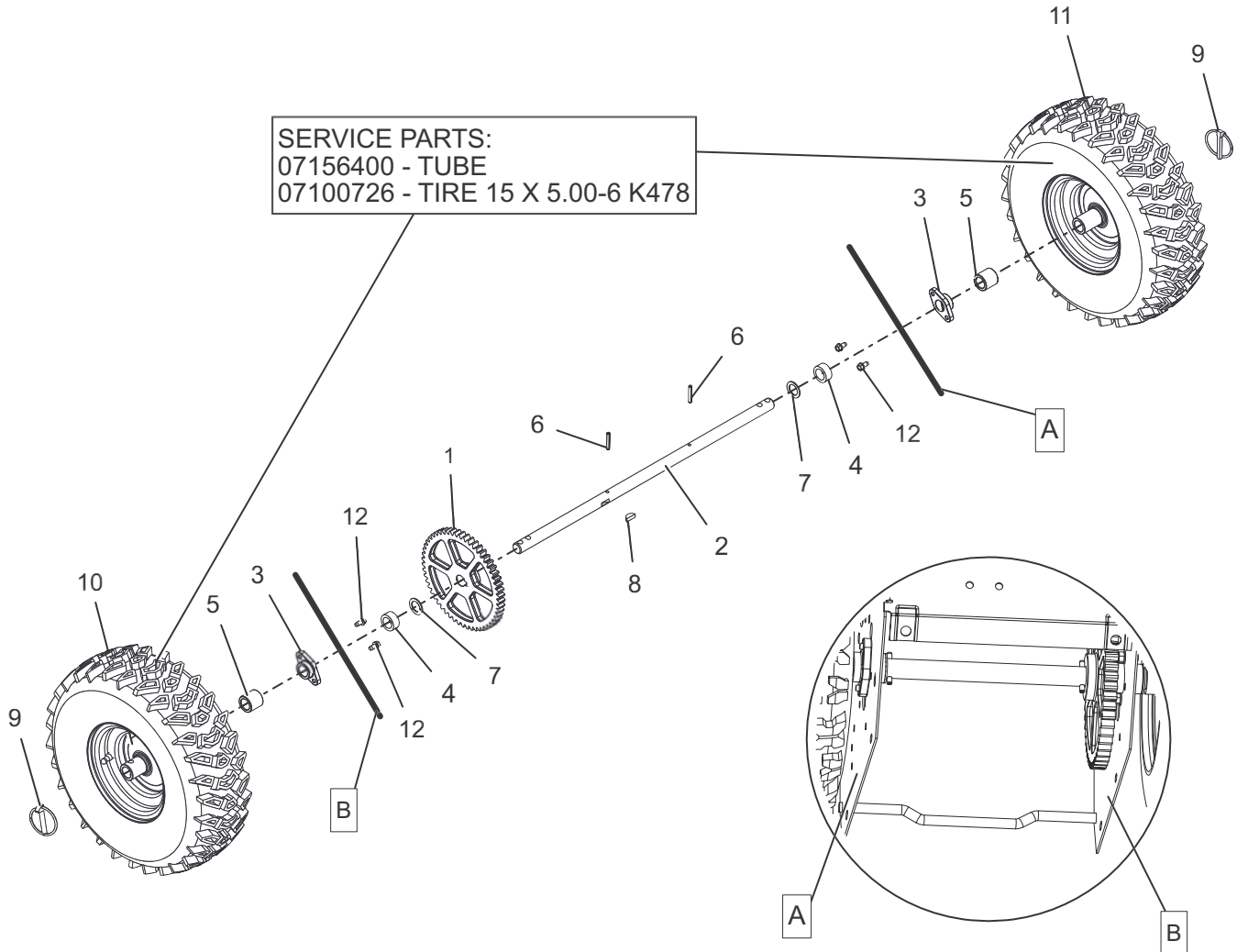
Model 920026



BOM ID	Number	Qty	Description
1	00657800	1	SPUR, GEAR 54T .75ID X 6.75PD
2	05500140	2	BSHG, SLV .766X1.125X.500
3	05006800	1	AXLE, COMPACT
4	06601200	1	KEY, WDRF .25X.750X.313 SAE91
5	07053700	2	PIN, LOCK .31X1.75
6	05500101	2	BSHG, .75 X 1.25 X .65
7	05500140	2	BSHG, SLV .766X1.125X.500
8	05800300	2	PIN-ROLL .188X1.25
9	06441400	2	WSHR-FL-STL .754X1.125X.062 YWZC
10	07101206	1	TIRE/WHEEL, RH 15X5-6 PIN T2
11	07101207	1	TIRE/WHEEL, LH 15X5-6 PIN T2
12	07400034	4	SCR-TAP .25-20X.50 HWH TR YWZ

WHEELS AND AXLE – 24"

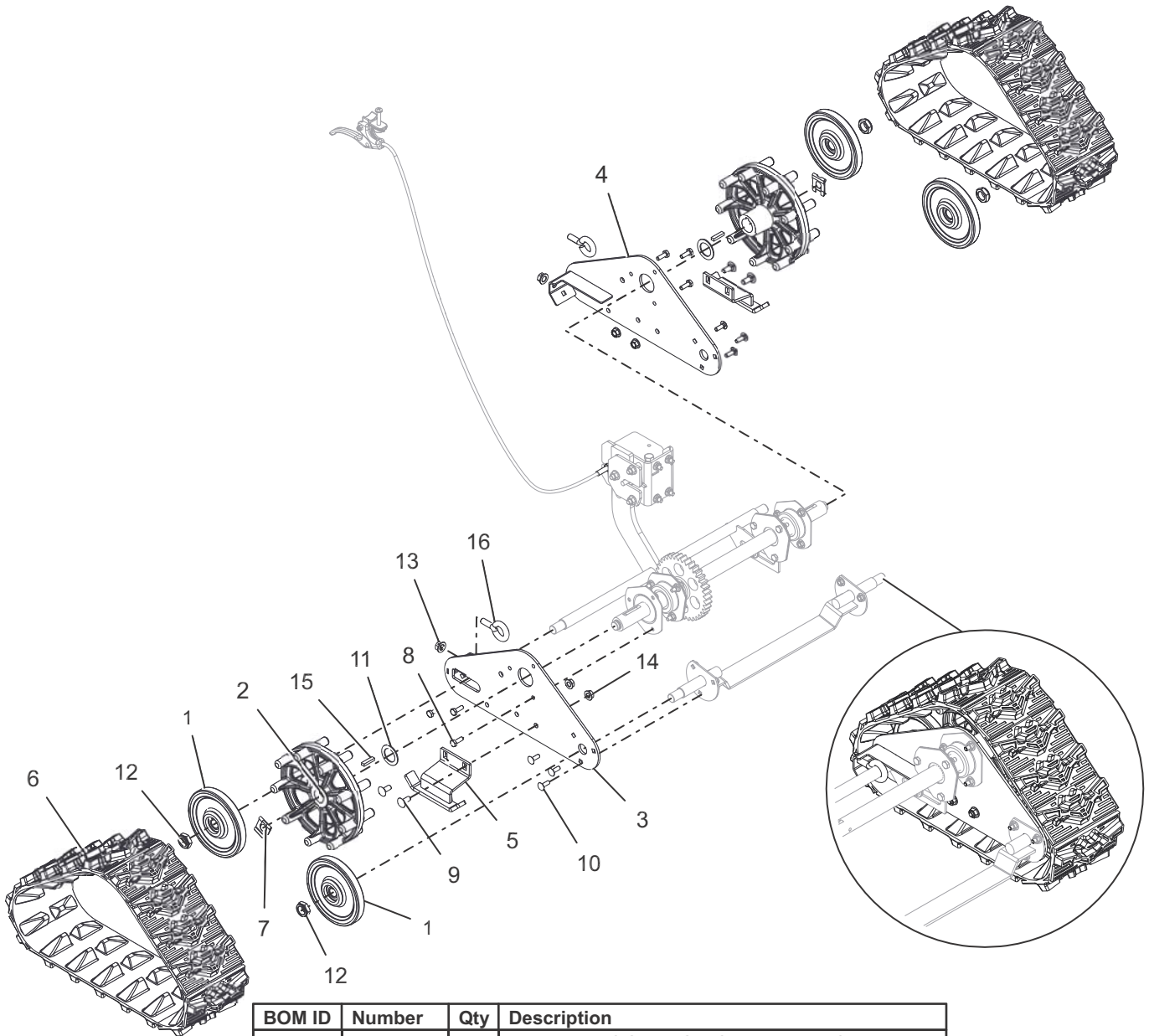
Models 920027, 321



BOM ID	Number	Qty	Description
1	00657800	1	SPUR, GEAR 54T .75ID X 6.75PD
2	03881800	1	AXLE, WHEEL
3	05500101	2	BSHG, .75 X 1.25 X .65
4	05500140	2	BSHG, SLV .766X1.125X.500
5	05500917	2	BSHG, SLV .75 X 1.12 X 1.062 X NYL BK
6	05800300	2	PIN-ROLL .188X1.25
7	06441400	2	WSHR-FL-STL .754X1.125X.062 YWZC
8	06601200	1	KEY, WDRF .25X.750X.313 SAE91
9	07053700	2	PIN, LOCK .31X1.75
10	07101206	1	TIRE/WHEEL, RH 15X5-6 PIN T2
11	07101207	1	TIRE/WHEEL, LH 15X5-6 PIN T2
12	07400034	4	SCR-TAP .25-20X.50 HWH TR YWZ

TRACKS

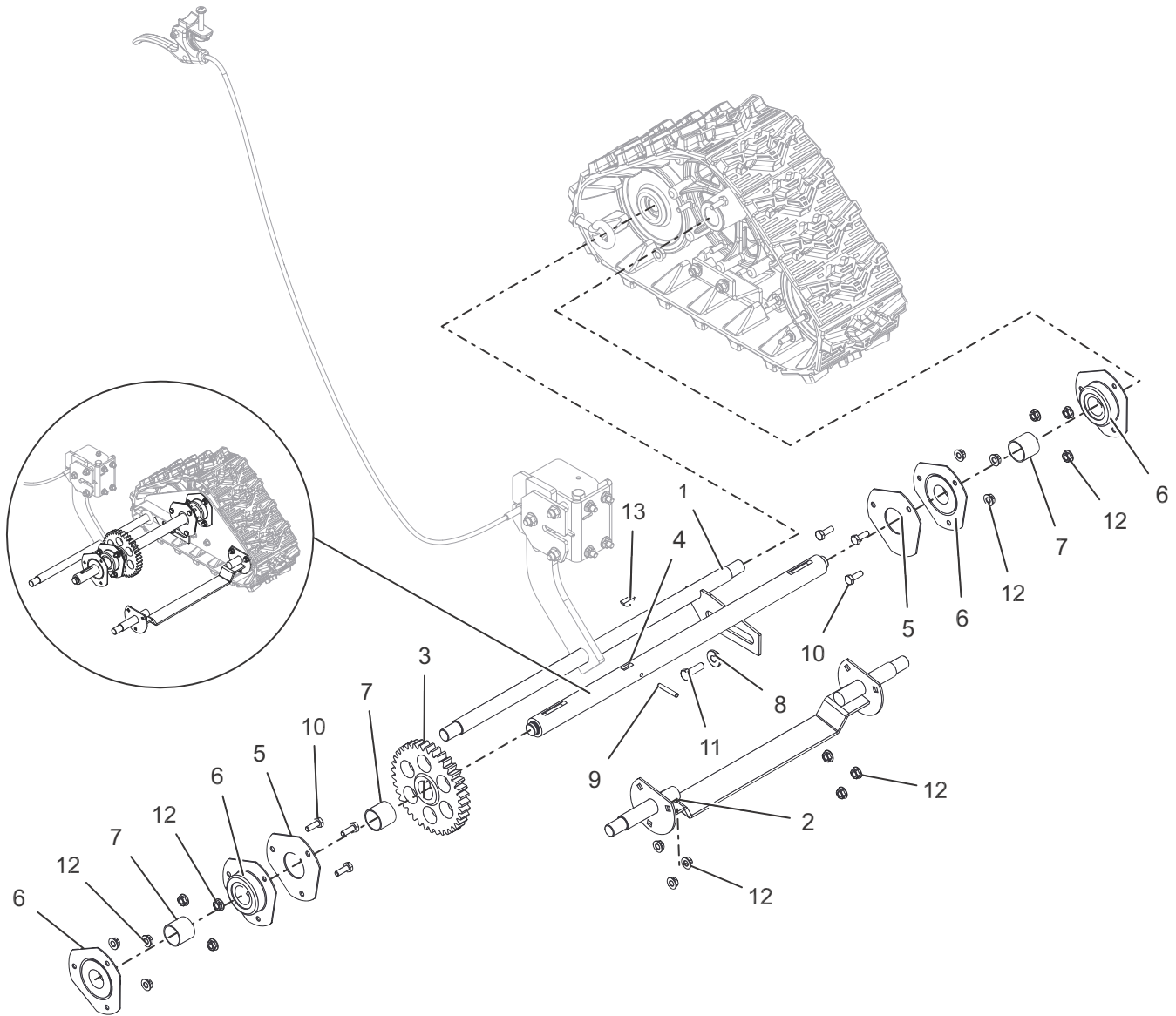
Models 920028, 318



BOM ID	Number	Qty	Description
1	03293600	4	WHEEL, BOGIE - SINGLE BEARING
2	04520000	2	WHEEL, DRIVE TRACK - MACHINED
3	05086251	1	PLATE, SIDE - COMPACT RH WLDMT (BLACK)
4	05086351	1	PLATE, SIDE - COMPACT LH WLDMT (BLACK)
5	04549651	2	RUNNER, GUIDE - COMPACT TRACK
6	04548500	2	TRACK, RUBBER COMPACT
7	05700001	2	CLIP, SNAP - .625
8	05946800	6	BOLT, HEX 0.25-20X0.75 GR5
9	06215700	4	BOLT, CARRIAGE 0.3125-18X0.75 GR5
10	06219900	6	BOLT, CARRIAGE 0.25-20X0.75 GR5
11	06436300	2	WSHR-FL-STL 1.010X1.505X.062 YWZC
12	06530300	4	NUT-LK-NYL .625-18 YWZC
13	06534800	2	NUT, LK-CTR-FLG .38-16 YWZC
14	06543100	5	NUT, LK-TOP-FLG .312-18 YWZC
15	06600002	2	KEY, RECT .25X.188X1.00
16	07000040	2	BLT, EYE .375-16X.880 YWZC

TRACK AXLES

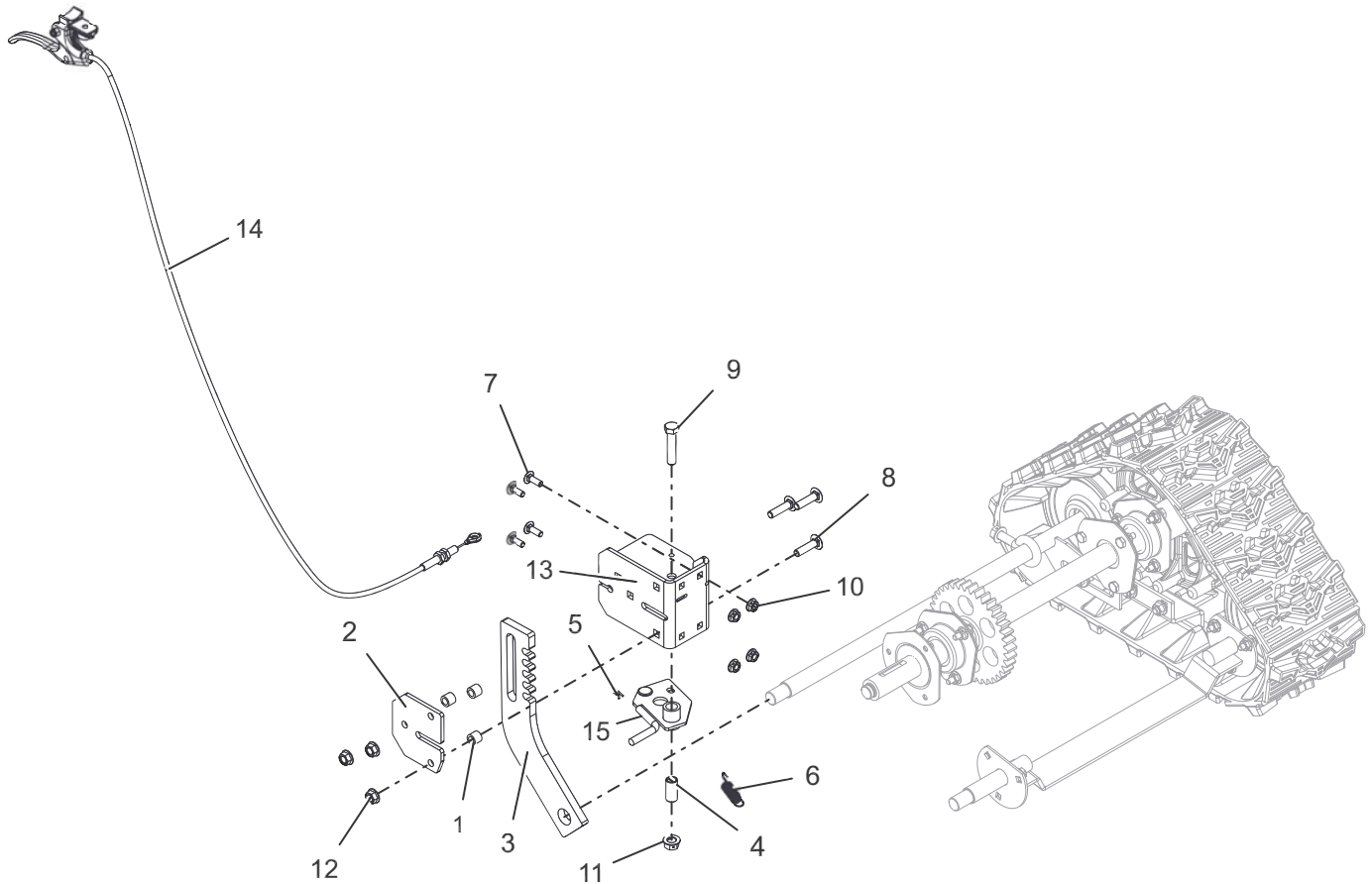
Models 920028, 318



BOM ID	Number	Qty	Description
1	03293700	1	AXLE, REAR - DELUXE TRACK
2	04549500	1	AXLE, FRT - COMPACT TRACK
3	00371000	1	GEAR, SPUR
4	03291500	1	AXLE, TRACK - DELUXE
5	04796351	2	PLATE, BEARING SPACER (BLACK)
6	05400723	4	BRG, FLANGE 1.003/1.000 3 BOLT
7	05500122	3	BSHG, SLV 1.012 X 1.125 X 1.00
8	05501127	1	BSHG, FLG .325X.499X.3X.875
9	05800300	1	PIN-ROLL .188X1.25
10	05946800	6	BOLT, HEX 0.25-20X0.75 GR5
11	05946900	1	BOLT, HEX 0.313-18X1 GR5
12	06500710	18	NUT, LK-CTR-FLG .25-20 YWZC
13	06601200	1	KEY, WDRF .25X.750X.313 SAE91

TRACK CONTROLS

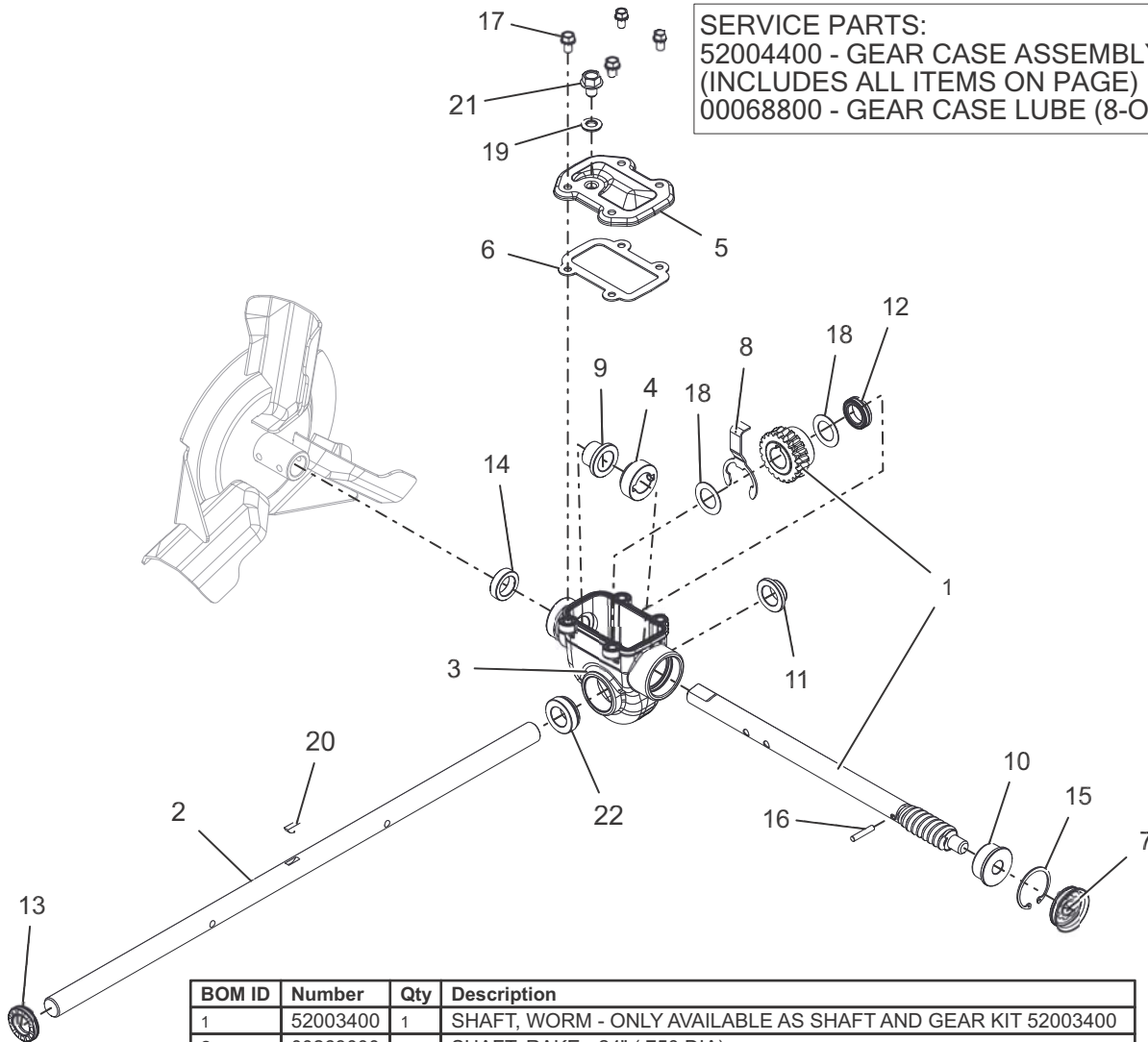
Models 920028, 318



BOM ID	Number	Qty	Description
1	01103100	3	SPCR, .50 X .32 X .42
2	03294151	1	PLATE, HEIGHT ADJUSTER
3	04548851	1	STOP, HEIGHT ADJUSTER - COMPACT
4	05500106	1	BSHG, SLV .385 X .500 X 1.045
5	06701900	1	PIN-HAIR INT .06X.18X.77
6	08300103	1	SPRG, EXTENSION
7	06219900	4	BOLT, CARRIAGE 0.25-20X0.75 GR5
8	06200008	3	BLT-RDHSQSHNK .31-18X1.25 G5YWZC
9	05958500	1	BOLT, HEX 0.375-16X1.75 GR5
10	06500710	4	NUT, LK-CTR-FLG .25-20 YWZC
11	06534800	1	NUT, LK-CTR-FLG .38-16 YWZC
12	06543100	3	NUT, LK-TOP-FLG .312-18 YWZC
13	03293951	1	BRKT, HEIGHT ADJUSTER
14	06900510	1	CABLE, TRACK REMOTE
15	04999500	1	LOCK, HEIGHT

GEAR CASE – 24"

Models 920025, 027, 028, 318, 321

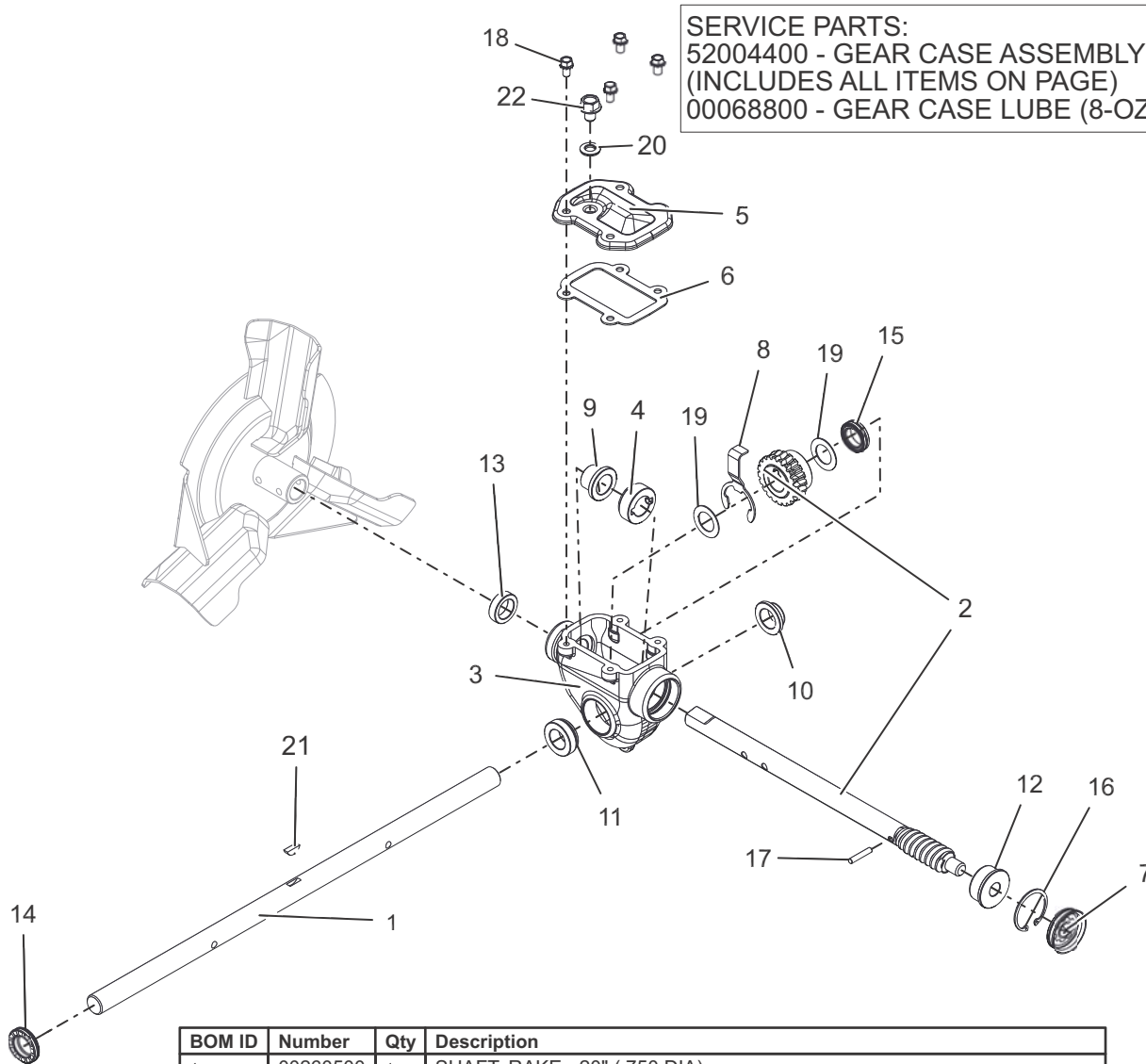


SERVICE PARTS:
 52004400 - GEAR CASE ASSEMBLY
 (INCLUDES ALL ITEMS ON PAGE)
 00068800 - GEAR CASE LUBE (8-OZ BOTTLE)

BOM ID	Number	Qty	Description
1	52003400	1	SHAFT, WORM - ONLY AVAILABLE AS SHAFT AND GEAR KIT 52003400
2	00263000	1	SHAFT, RAKE - 24" (.750 DIA)
3	04304600	1	GEARCASE COMPACT ALUMINUM
4	04277000	1	THRUST, COLLAR .75" ID SLIPFIT
5	04280251	1	COVER, TOP COMPACT IRON
6	04282400	1	GSKT, TOP COMPACT GEARCASE
7	04302800	1	COVER, GEAR CASE 1.50"
8	04323600	1	BSHG, RETAINER COMPACT
9	05501020	1	BSHG, FLG .755 X .878 X .75 X 1.25
10	05501108	1	BSHG, FLANGED .503X1.303X.62X1.465
11	05501106	1	BSHG, FLANGED .755X.878X.424X1.25
12	05600509	1	SEAL, OIL .748 X 1.125 X .312
13	05600508	1	SEAL, OIL .748 X 1.300 X .250
14	05600501	1	SEAL, OIL .748 X 1.125 X .312 TB2-H
15	05700212	1	RING, RETAINING -INT 1.500X.050
16	05800207	1	PIN, STR .188 X 1.00 6150
17	05901510	4	BOLT, SEMS - .25-20X.50 GR5 YWZC
18	06400912	2	WSHR-FL-STL, .760 X 1.225 X .032 YZ
19	06400920	1	WASHER-FLAT-STL, SEAL
20	06609300	1	KEY, WDRF .19X.63 HRD #61
21	07400110	1	SCR -ROLOK .38-16X.50 HWH YWZC
22	05501107	1	BUSHING, FLANGE - COMPACT RIGHT

GEAR CASE – 20"

Model 920026



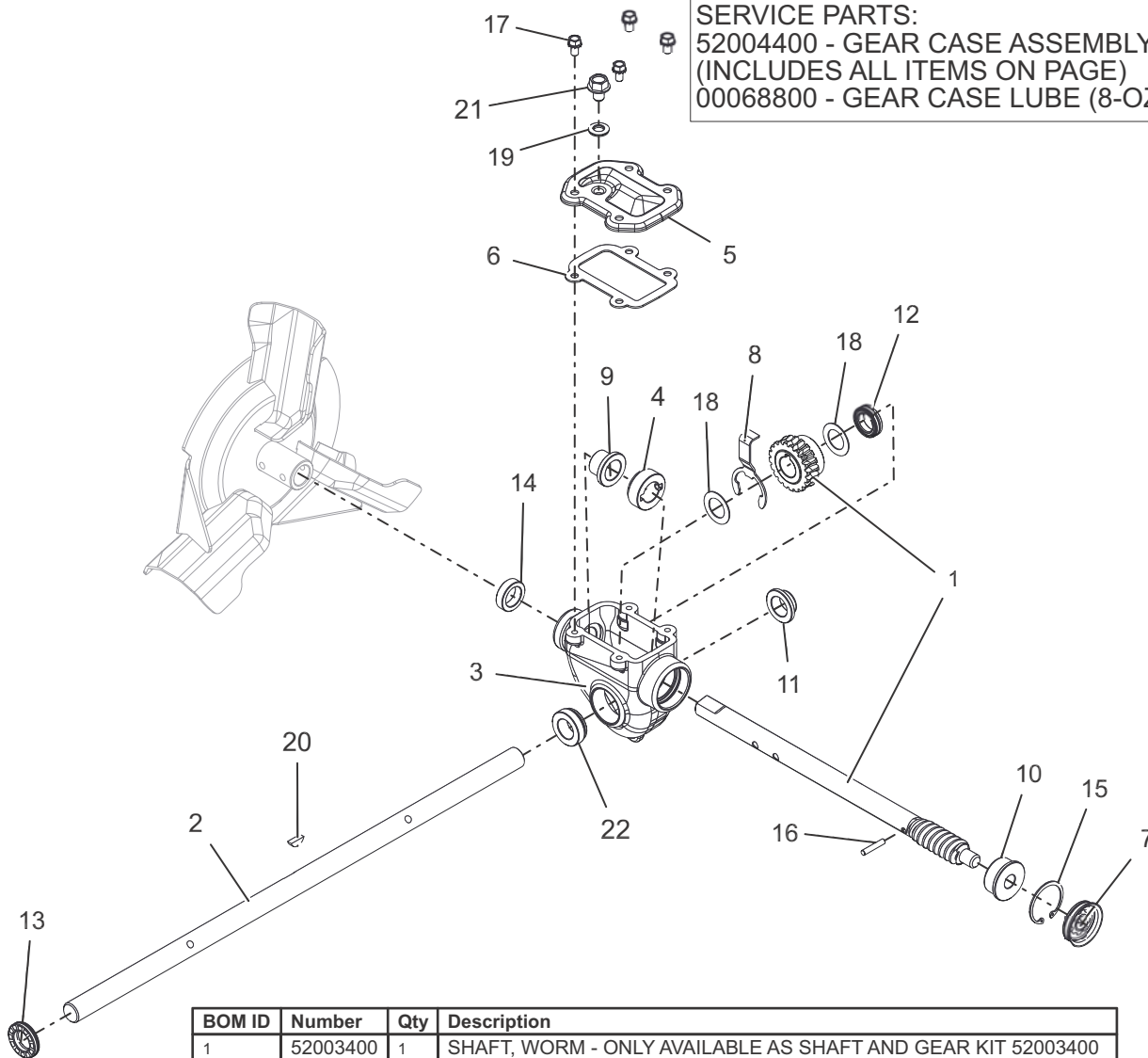
SERVICE PARTS:
 52004400 - GEAR CASE ASSEMBLY
 (INCLUDES ALL ITEMS ON PAGE)
 00068800 - GEAR CASE LUBE (8-OZ BOTTLE)

BOM ID	Number	Qty	Description
1	00260500	1	SHAFT, RAKE - 20" (.750 DIA)
2	52003400	1	SHAFT, WORM - ONLY AVAILABLE AS SHAFT AND GEAR KIT 52003400
3	04276800	1	GEAR, CASE COMPACT MACHINED
4	04277000	1	THRUST, COLLAR .75" ID SLIPFIT
5	04280251	1	COVER, TOP COMPACT IRON
6	04282400	1	GSKT, TOP COMPACT GEARCASE
7	04302800	1	COVER, GEAR CASE 1.50"
8	04323600	1	BSHG, RETAINER COMPACT
9	05501020	1	BSHG, FLG .755 X .878 X .75 X 1.25
10	05501106	1	BSHG, FLANGED .755X.878X.424X1.25
11	05501107	1	BUSHING, FLANGE - COMPACT RIGHT
12	05501108	1	BSHG, FLANGED .503X1.303X.62X1.465
13	05600501	1	SEAL, OIL .748 X 1.125 X .312 TB2-H
14	05600508	1	SEAL, OIL .748 X 1.300 X .250
15	05600509	1	SEAL, OIL .748 X 1.125 X .312
16	05700212	1	RING, RETAINING -INT 1.500X.050
17	05800207	1	PIN, STR .188 X 1.00 6150
18	05901510	4	BOLT, SEMS - .25-20X.50 GR5 YWZC
19	06400912	2	WSHR-FL-STL, .760 X 1.225 X .032 YZ
20	06400920	1	WASHER-FLAT-STL, SEAL
21	06609300	1	KEY, WDRF .19X.63 HRD #61
22	07400110	1	SCR -ROLOK .38-16X.50 HWH YWZC

GEAR CASE – 22"

Model 920317

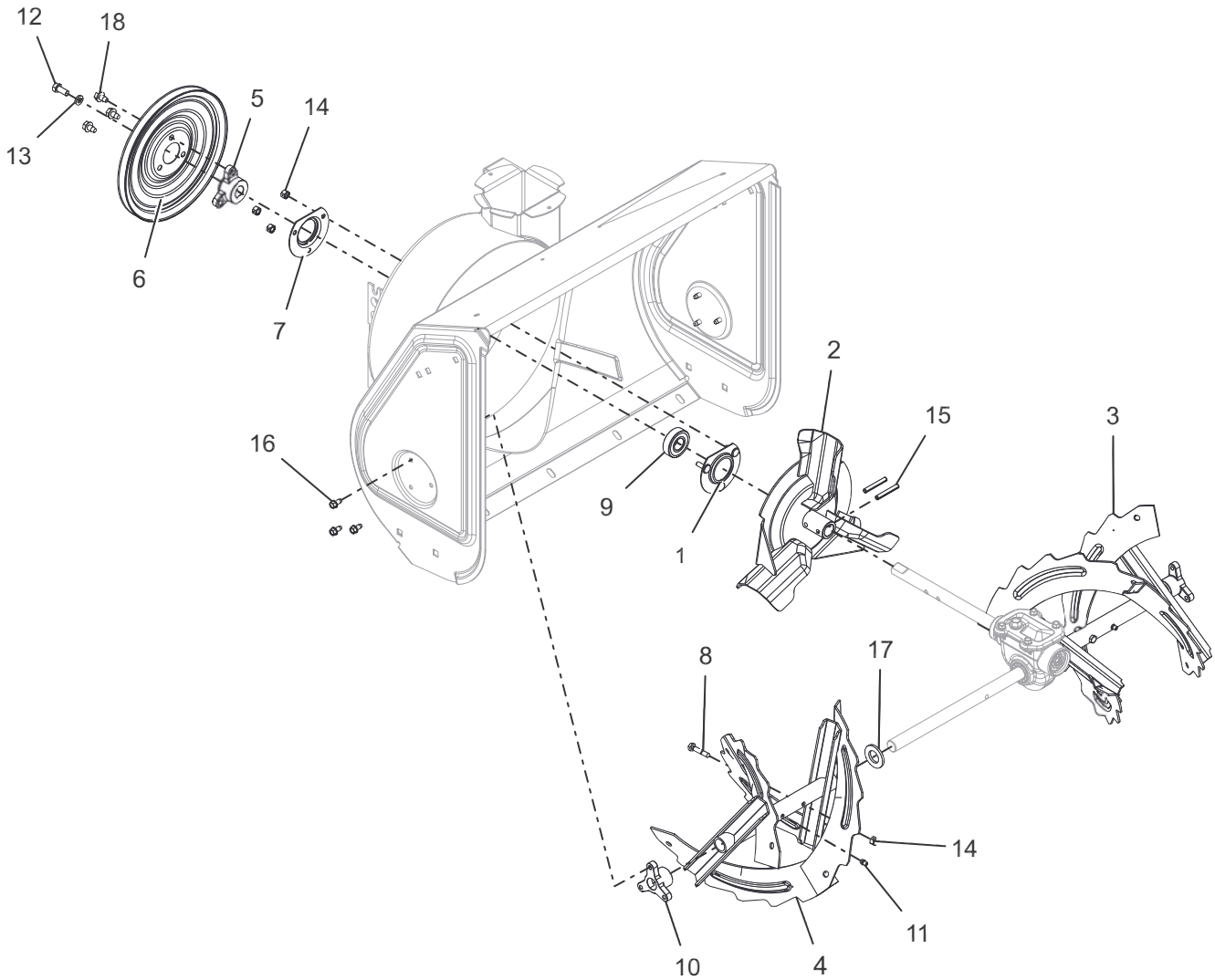
SERVICE PARTS:
 52004400 - GEAR CASE ASSEMBLY
 (INCLUDES ALL ITEMS ON PAGE)
 00068800 - GEAR CASE LUBE (8-OZ BOTTLE)



BOM ID	Number	Qty	Description
1	52003400	1	SHAFT, WORM - ONLY AVAILABLE AS SHAFT AND GEAR KIT 52003400
2	03885800	1	SHAFT, RAKE - 22" (.750 DIA)
3	04276800	1	GEAR, CASE COMPACT MACHINED
4	04277000	1	THRUST, COLLAR .75" ID SLIPFIT
5	04280251	1	COVER, TOP COMPACT IRON
6	04282400	1	GSKT, TOP COMPACT GEARCASE
7	04302800	1	COVER, GEAR CASE 1.50"
8	04323600	1	BSHG, RETAINER COMPACT
9	05501020	1	BSHG, FLG .755 X .878 X .75 X 1.25
10	05501108	1	BSHG, FLANGED .503X1.303X.62X1.465
11	05501106	1	BSHG, FLANGED .755X.878X.424X1.25
12	05600509	1	SEAL, OIL .748 X 1.125 X .312
13	05600508	1	SEAL, OIL .748 X 1.300 X .250
14	05600501	1	SEAL, OIL .748 X 1.125 X .312 TB2-H
15	05700212	1	RING, RETAINING -INT 1.500X.050
16	05800207	1	PIN, STR .188 X 1.00 6150
17	05901510	4	BOLT, SEMS - .25-20X.50 GR5 YWZC
18	06400912	2	WSHR-FL-STL, .760 X 1.225 X .032 YZ
19	06400920	1	WASHER-FLAT-STL, SEAL
20	06609300	1	KEY, WDRF .19X.63 HRD #61
21	07400110	1	SCR -ROLOK .38-16X.50 HWH YWZC
22	05501107	1	BUSHING, FLANGE - COMPACT RIGHT

AUGER AND IMPELLER – 24"

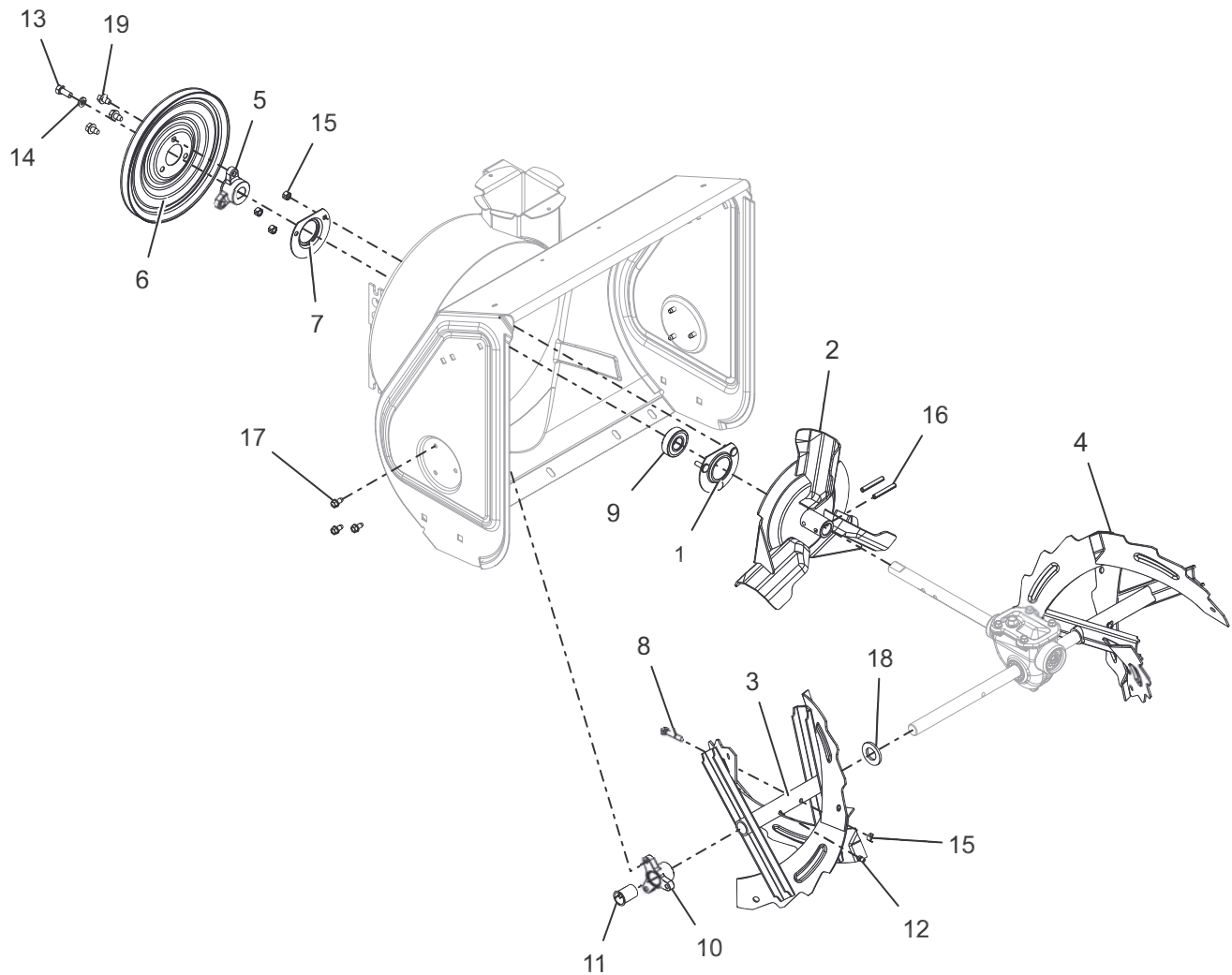
Models 920025, 027, 028, 318, 321



BOM ID	Number	Qty	Description
1	00428700	1	FLANGE, BEARING
2	03835551	1	IMPELLER, COMPACT 12" 3-BLADE
3	00263151	1	WLDMT, 24" RAKE - LH
4	00263251	1	WLDMT, 24" RAKE - RH
5	00268901	1	PULLEY, HUB BOLT-ON
6	00268900	1	PULLEY, SPIN FORM SINGLE GROOVE
7	01014200	1	FLANGE, BEARING
8	03204300	2	SHEAR, BLT
9	05406300	1	BRG-BALL .750X1.750X.50
10	05500918	2	BSHG, RAKE SHAFT .75"
11	07061300	2	ZERK, FITTING .25X.125 DRIVE IN
12	05947300	1	BLT-HEX .31-24X.75 GR5 YWZC
13	06307400	1	WSHR-LK .31X.097 HVY YWZC
14	06529700	5	NUT-LK-CTR .25-20 YWZC
15	05803700	2	PIN-ROLL .250X1.75
16	07400034	6	SCR-TAP .25-20X.50 HWH TR YWZ
17	06439000	2	WSHR-FL-STL.812X1.50X.135YWZC
18	07411500	3	SCR-TAP .31-18X.50 HWH TR YWZ

AUGER AND IMPELLER – 20"

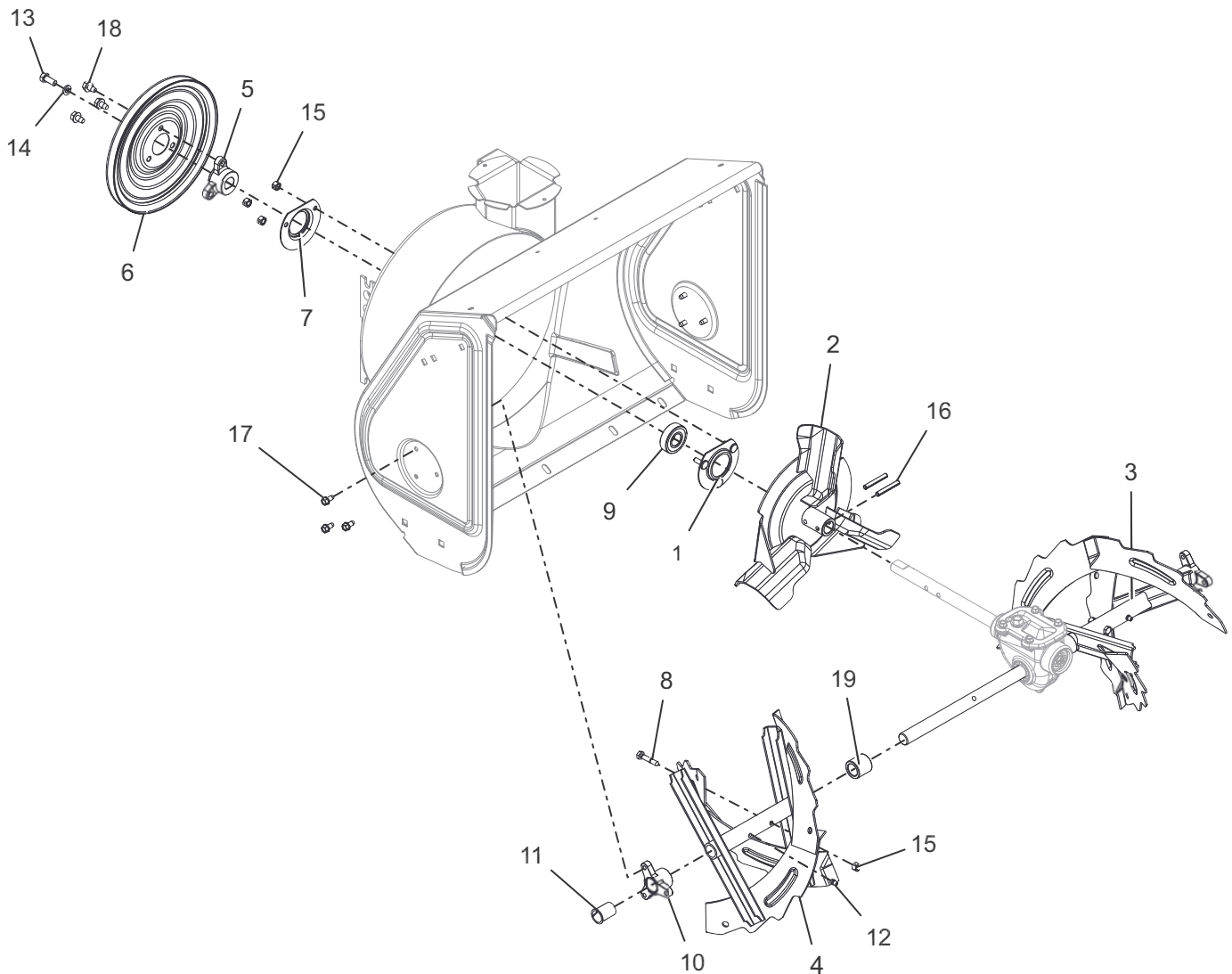
Model 920026



BOM ID	Number	Qty	Description
1	00428700	1	FLANGE, BEARING
2	03835551	1	IMPELLER, COMPACT 12" 3-BLADE
3	53212300	1	RAKE, RH 20" - SERVICE W/ ZERK
4	53212400	1	RAKE, LH 20" - SERVICE W/ ZERK
5	00268901	1	PULLEY, HUB BOLT-ON
6	00268900	1	PULLEY, SPIN FORM SINGLE GROOVE
7	01014200	1	FLANGE, BEARING
8	03204300	2	SHEAR, BLT
9	05406300	1	BRG-BALL .750X1.750X.50
10	05500103	2	BSHG, RAKE SHAFT .75"
11	05500109	2	BSHG, FLG SPLIT NYLINER .75" ID
12	07061300	2	ZERK, FITTING .25X.125 DRIVE IN
13	05947300	1	BLT-HEX .31-24X.75 GR5 YWZC
14	06307400	1	WSHR-LK .31X.097 HVY YWZC
15	06529700	5	NUT-LK-CTR .25-20 YWZC
16	05803700	2	PIN-ROLL .250X1.75
17	07400034	6	SCR-TAP .25-20X.50 HWH TR YWZ
18	06439000	2	WSHR-FL-STL.812X1.50X.135YWZC
19	07411500	3	SCR-TAP .31-18X.50 HWH TR YWZ

AUGER AND IMPELLER – 22"

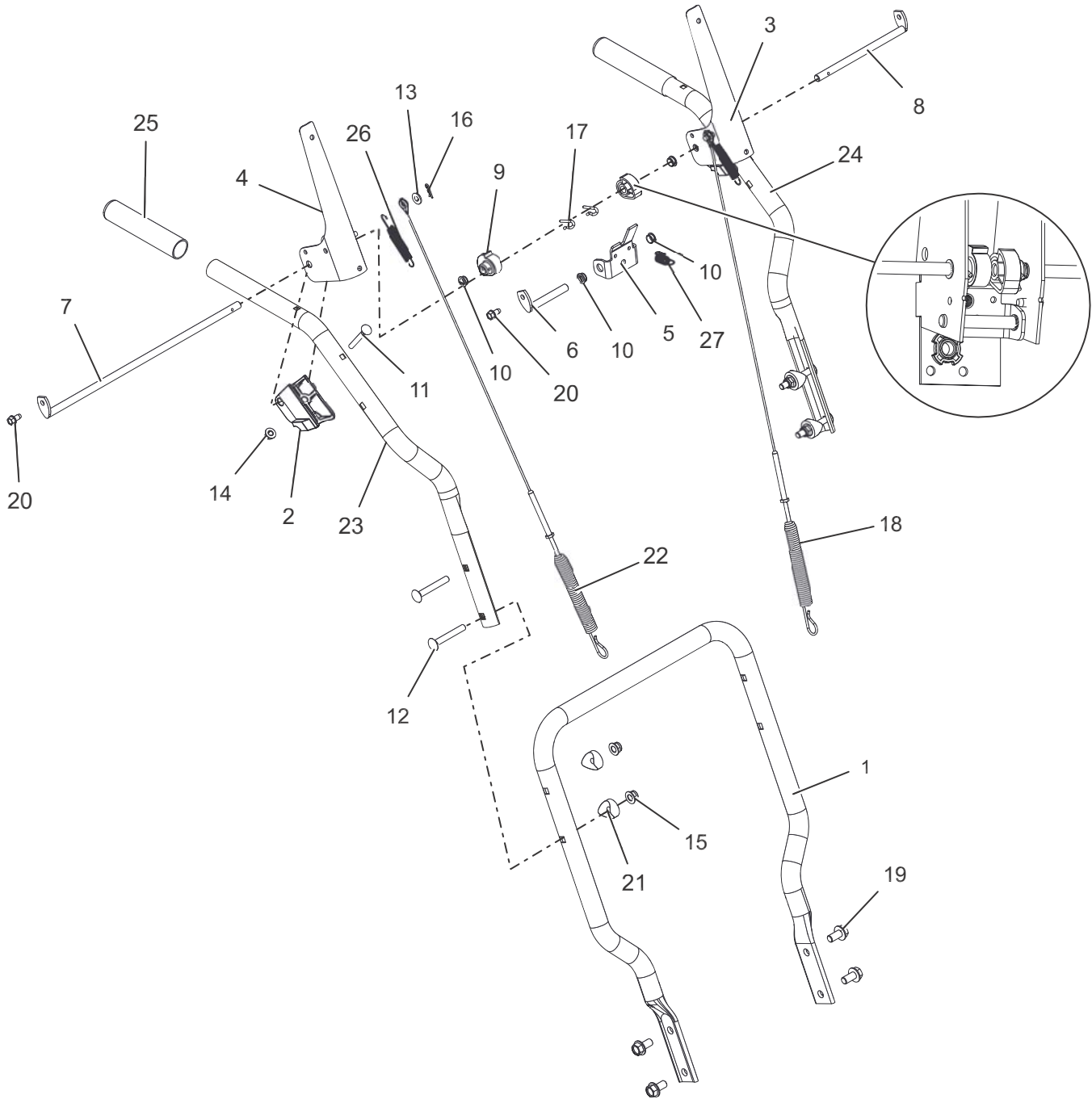
Model 920317



BOM ID	Number	Qty	Description
1	00428700	1	FLANGE, BEARING
2	03835551	1	IMPELLER, COMPACT 12" 3-BLADE
3	53212400	1	RAKE, LH 20" - SERVICE W/ ZERK
4	53212300	1	RAKE, RH 20" - SERVICE W/ ZERK
5	00268901	1	PULLEY, HUB BOLT-ON
6	00268900	1	PULLEY, SPIN FORM SINGLE GROOVE
7	01014200	1	FLANGE, BEARING
8	03204300	2	SHEAR, BLT
9	05406300	1	BRG-BALL .750X1.750X.50
10	05500103	2	BSHG, RAKE SHAFT .75"
11	05500109	2	BSHG, FLG SPLIT NYLINER .75" ID
12	07061300	2	ZERK, FITTING .25X.125 DRIVE IN
13	05947300	1	BLT-HEX .31-24X.75 GR5 YWZC
14	06307400	1	WSHR-LK .31X.097 HVY YWZC
15	06529700	5	NUT-LK-CTR .25-20 YWZC
16	05803700	2	PIN-ROLL .250X1.75
17	07400034	6	SCR-TAP .25-20X.50 HWH TR YWZ
18	07411500	3	SCR-TAP .31-18X.50 HWH TR YWZ
19	05500917	2	BSHG, SLV .75 X 1.12 X 1.062 X NYL BK

HANDLEBARS

Models All

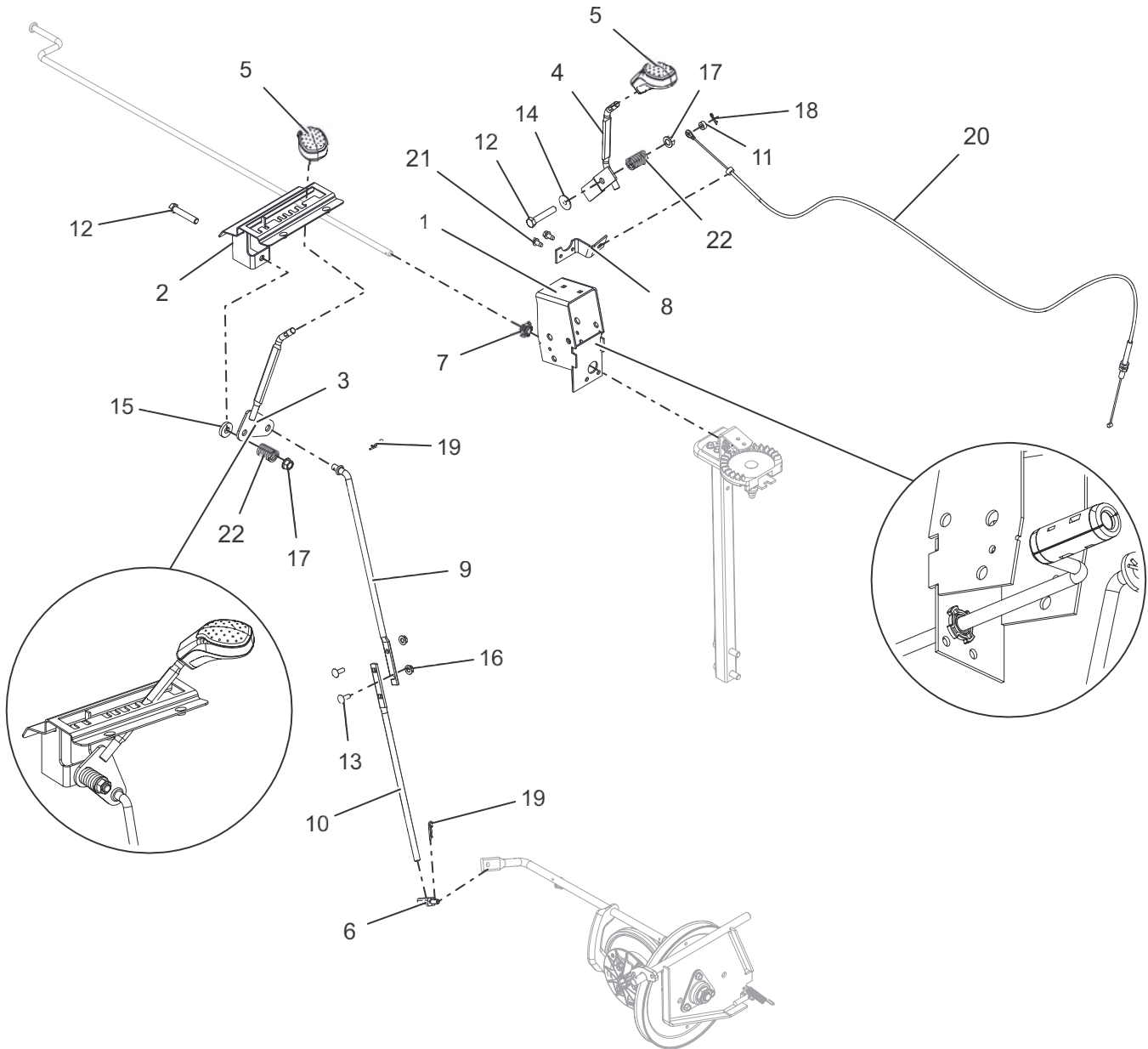


BOM ID	Number	Qty	Description
1	00597451	1	HANDLEBAR, LOWER COMPACT
2	05073000	2	BLOCK, CLUTCH PADDLE
3	04310451	1	WLDMT, CLUTCH HANDLE - LH
4	04310551	1	WLDMT, CLUTCH HANDLE - RH
5	04320400	1	BRKT, INTERLOCK ARM
6	04320500	1	ROD, PIVOT - INTERLOCK
7	04321500	1	ROD, PADDLE MOUNT - LONG
8	04321600	1	ROD, PADDLE MOUNT - SHORT
9	04322100	2	CAM, INTERLOCK
10	05500020	4	BSHG, POLYLINER-.38 SNAPIN
11	06209300	2	BLT, RDHDXLSQNK .25-20X2.0 G5YZ
12	06221600	4	BOLT, CARRIAGE 0.3125-18X2.25 GR5
13	06437300	2	WSHR-FL-STL.281X.62X.065 YWZC
14	06543500	2	NUT, LK-TOP-FLG .25-20 YWZC

BOM ID	Number	Qty	Description
15	06545400	4	NUT-LK-NYL-FLG .31-18 YWZC
16	06701900	2	PIN-HAIR INT .06X.18X.77
17	06714500	2	PIN, SPRING CLIP
18	06900438	1	CABLE, AUGER & UPPER TRACTION
19	07028500	4	BLT-SERHFWH .38-16X.75 YWZC
20	07400034	3	SCR-TAP .25-20X.50 HWH TR YWZ
21	07500005	4	SPCR, HANDLEBAR
22	06900438	1	CABLE, AUGER & UPPER TRACTION
23	04318351	1	HANDLEBAR, UPPER - RH
24	04318451	1	HANDLEBAR, UPPER - LH
25	07500336	2	GRIP, HANDLE
26	08300527	2	SPRG, EXTENSION
27	08337000	1	SPRG, EXTENSION

CONTROLS

Models 920025, 026, 027, 028, 318, 321

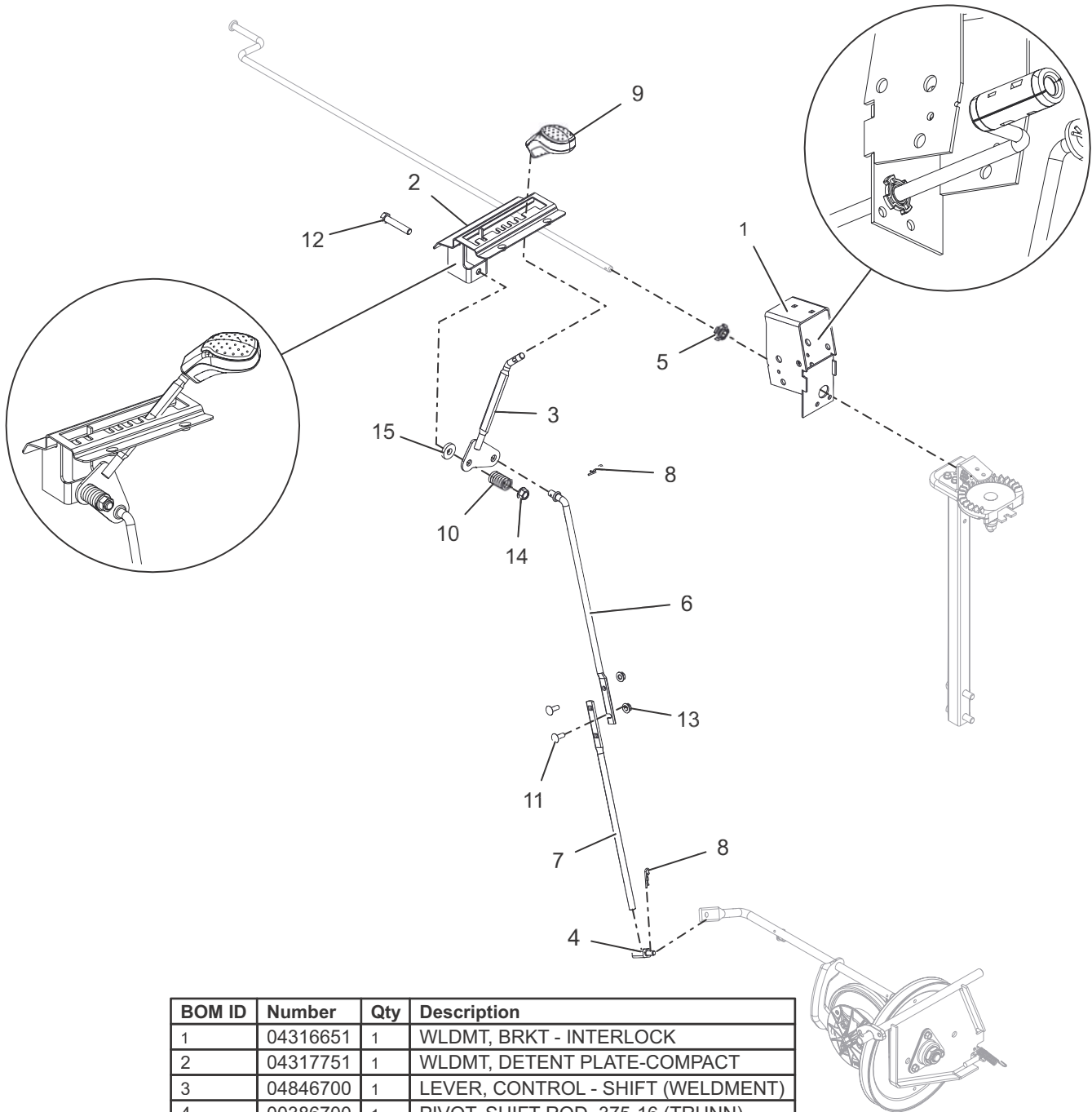


BOM ID	Number	Qty	Description
1	04316651	1	WLDMT, BRKT - INTERLOCK
2	04317751	1	WLDMT, DETENT PLATE-COMPACT
3	04846700	1	LEVER, CONTROL - SHIFT (WELDMENT)
4	04846600	1	WLDMT, CONTROL LEVER - SM (DEFL)
5	04816300	2	KNOB, CONTROL - SOFT TOUCH
6	00386700	1	PIVOT, SHIFT ROD .375-16 (TRUNN)
7	04322700	1	BSHG, CRANK - CHUTE
8	04333100	1	ANCHOR, DEFLECTOR CABLE
9	04334967	1	ROD, SHIFT UPPER
10	04753767	1	ROD, SHIFT - LOWER (BLACK)
11	05501012	1	BSHG, SLV - .265X.500X.219
12	05963300	2	BOLT, HEX 0.375-16X2 GR5

BOM ID	Number	Qty	Description
13	06219900	2	BOLT, CARRIAGE 0.25-20X0.75 GR5
14	06426600	1	WSHR-FL-STL .281X1.000X.063 YWZC
15	06444000	1	WSHR-FL-STL .406X1.00X.188 YWZC
16	06500710	2	NUT, LK-CTR-FLG .25-20 YWZC
17	06542000	2	NUT, LK-TOP-FLG .38-16 YWZC
18	06701900	1	PIN-HAIR INT .06X.18X.77
19	06713500	2	PIN, HAIR INT .08X.18X1.18 YWZC
20	06900508	1	CABLE, DEFLECTOR
21	07400034	2	SCR-TAP .25-20X.50 HWH TR YWZ
22	08335700	2	SPRG, COMPRESSION

CONTROLS

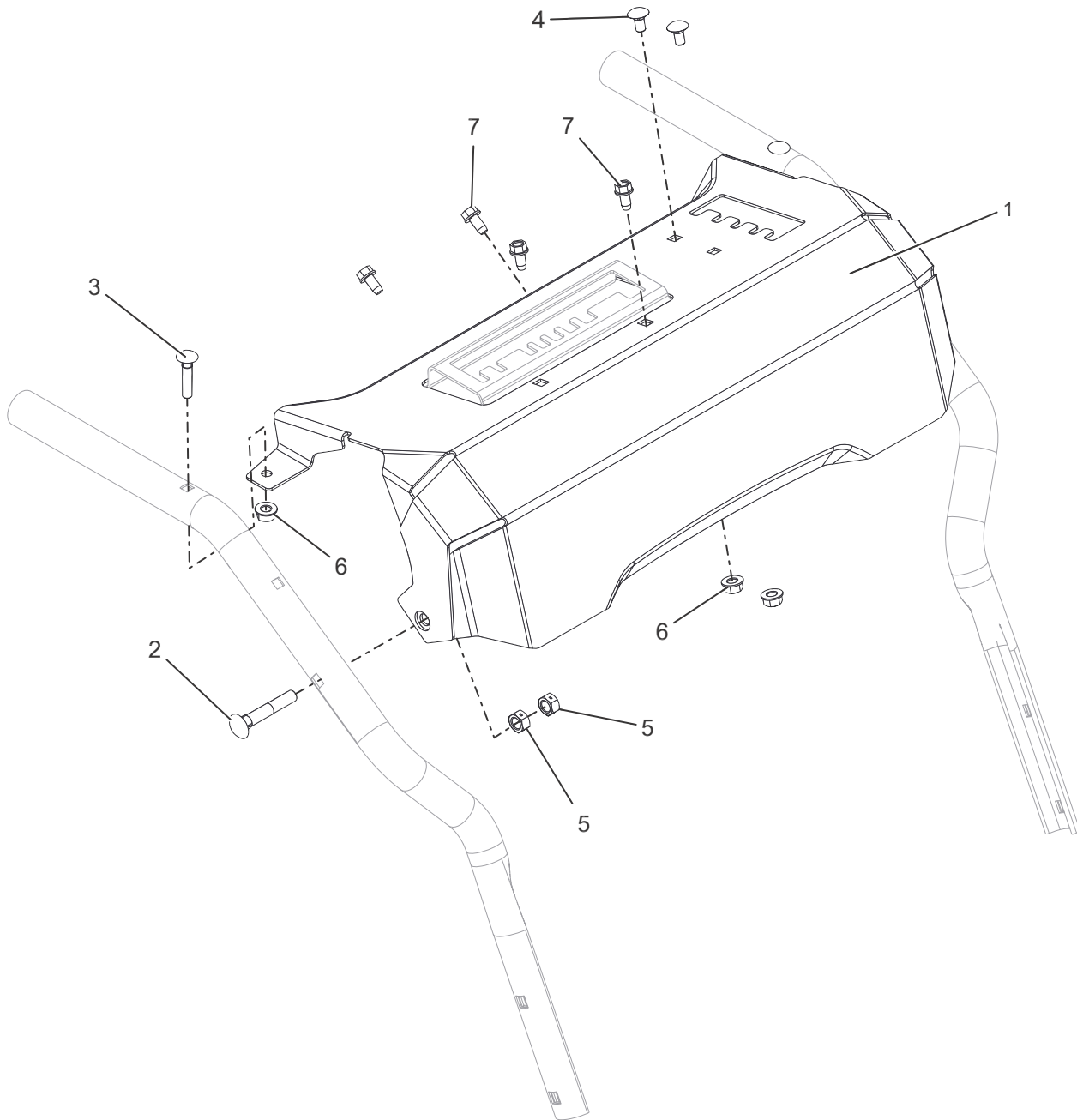
Model 920317



BOM ID	Number	Qty	Description
1	04316651	1	WLDMT, BRKT - INTERLOCK
2	04317751	1	WLDMT, DETENT PLATE-COMPACT
3	04846700	1	LEVER, CONTROL - SHIFT (WELDMENT)
4	00386700	1	PIVOT, SHIFT ROD .375-16 (TRUNN)
5	04322700	1	BSHG, CRANK - CHUTE
6	04334967	1	ROD, SHIFT UPPER
7	04753767	1	ROD, SHIFT - LOWER (BLACK)
8	06713500	2	PIN, HAIR INT .08X.18X1.18 YWZC
9	04816300	1	KNOB, CONTROL - SOFT TOUCH
10	08335700	1	SPRG, COMPRESSION
11	06219900	2	BOLT, CARRIAGE 0.25-20X0.75 GR5
12	05963300	1	BOLT, HEX 0.375-16X2 GR5
13	06500710	2	NUT, LK-CTR-FLG .25-20 YWZC
14	06542000	1	NUT, LK-TOP-FLG .38-16 YWZC
15	06444000	1	WSHR-FL-STL .406X1.00X.188 YWZC

DASH

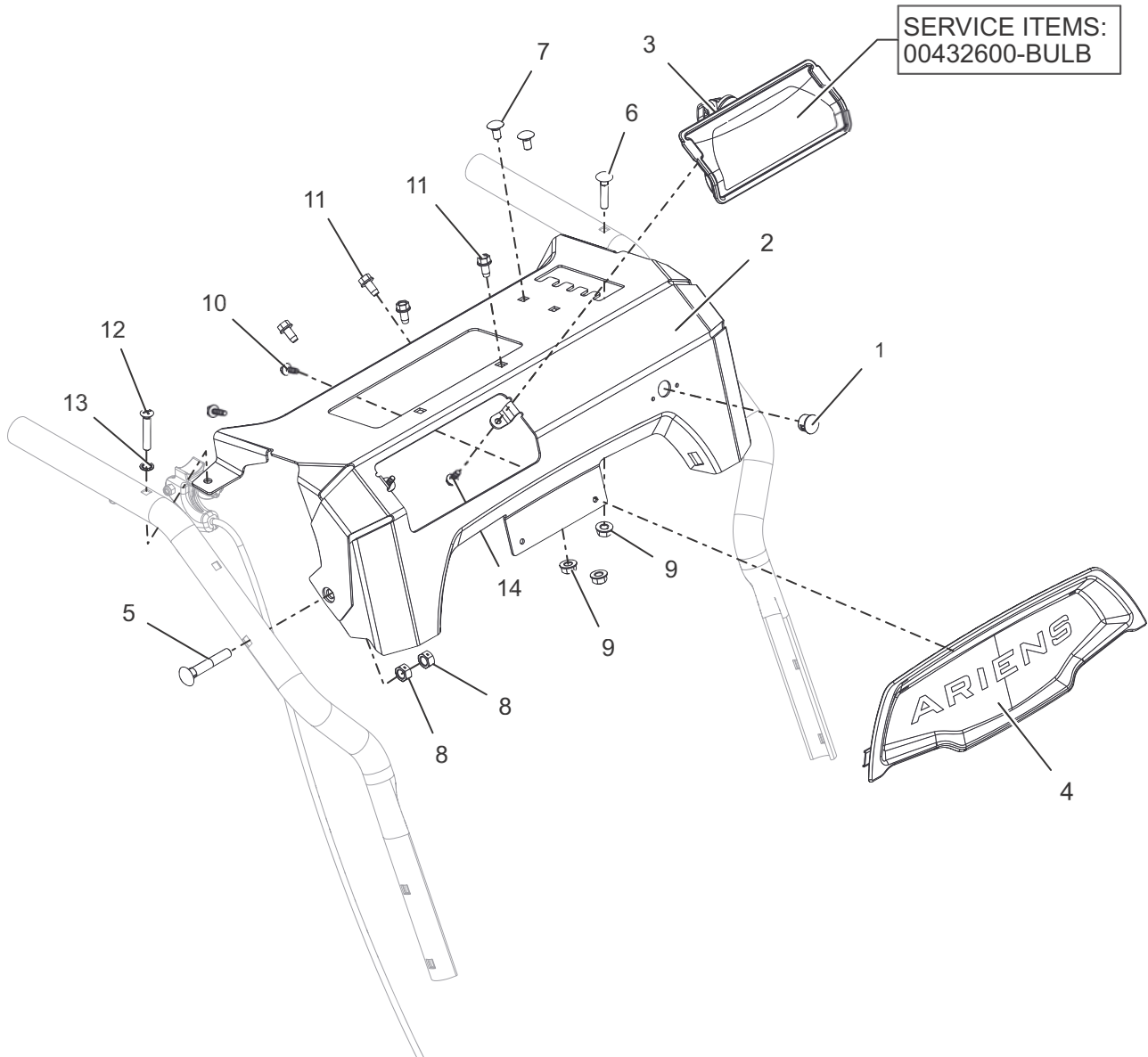
Models 920025



BOM ID	Number	Qty	Description
1	52007300	1	GROUP, DASH - COMPACT
2	06200207	2	BLT, RDHD XLSQNK .31-18X2.0 G5YZ
3	06220100	2	BLT, RDHDXLSQNK .25-20X1.25 G5YZ
4	06220600	2	BOLT, CARRIAGE 0.25-20X0.5 GR5
5	06529800	4	NUT-LK-CTR .31-18 YWZC
6	06543500	4	NUT, LK-TOP-FLG .25-20 YWZC
7	07400034	4	SCR-TAP .25-20X.50 HWH TR YWZ

DASH – TRACK

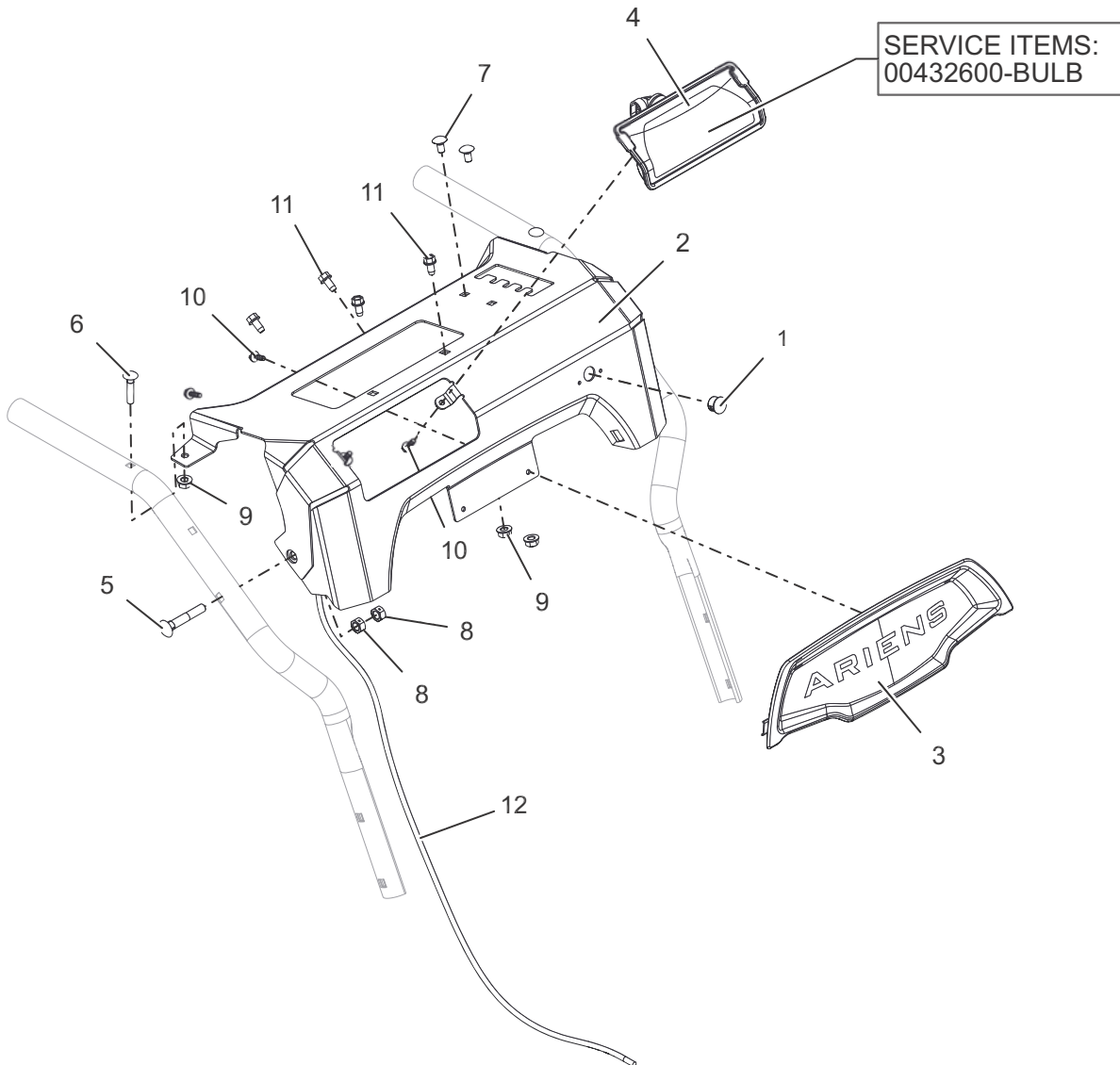
Models 920028, 318



BOM ID	Number	Qty	Description
1	01554900	1	HOLE PLUG, PLASTIC .56 HOLE
2	52007600	1	PANEL, CONTROL
3	04812300	1	ASM, HEADLAMP - HALOGEN 20W - 2 SHOT
4	04982300	1	BEZEL, DASH - ARIENS SM
5	06200207	2	BLT, RDHD XLSQNK .31-18X2.0 G5YZ
6	06220100	1	BLT, RDHDXLSQNK .25-20X1.25 G5YZ
7	06220600	2	BOLT, CARRIAGE 0.25-20X0.5 GR5
8	06529800	4	NUT-LK-CTR .31-18 YWZC
9	06543500	3	NUT, LK-TOP-FLG .25-20 YWZC
10	07400107	2	SCR-TAP #10X.500 BOSS INDHXHD
11	07400034	4	SCR-TAP .25-20X.50 HWH TR YWZ
12	06100007	1	SCR, -- MCH .25-20X1.50 OVAL HD
13	06305200	1	WSHR, LK-INT .250 TH TYA
14	07400107	2	SCR-TAP #10X.500 BOSS INDHXHD

DASH – 22" CE

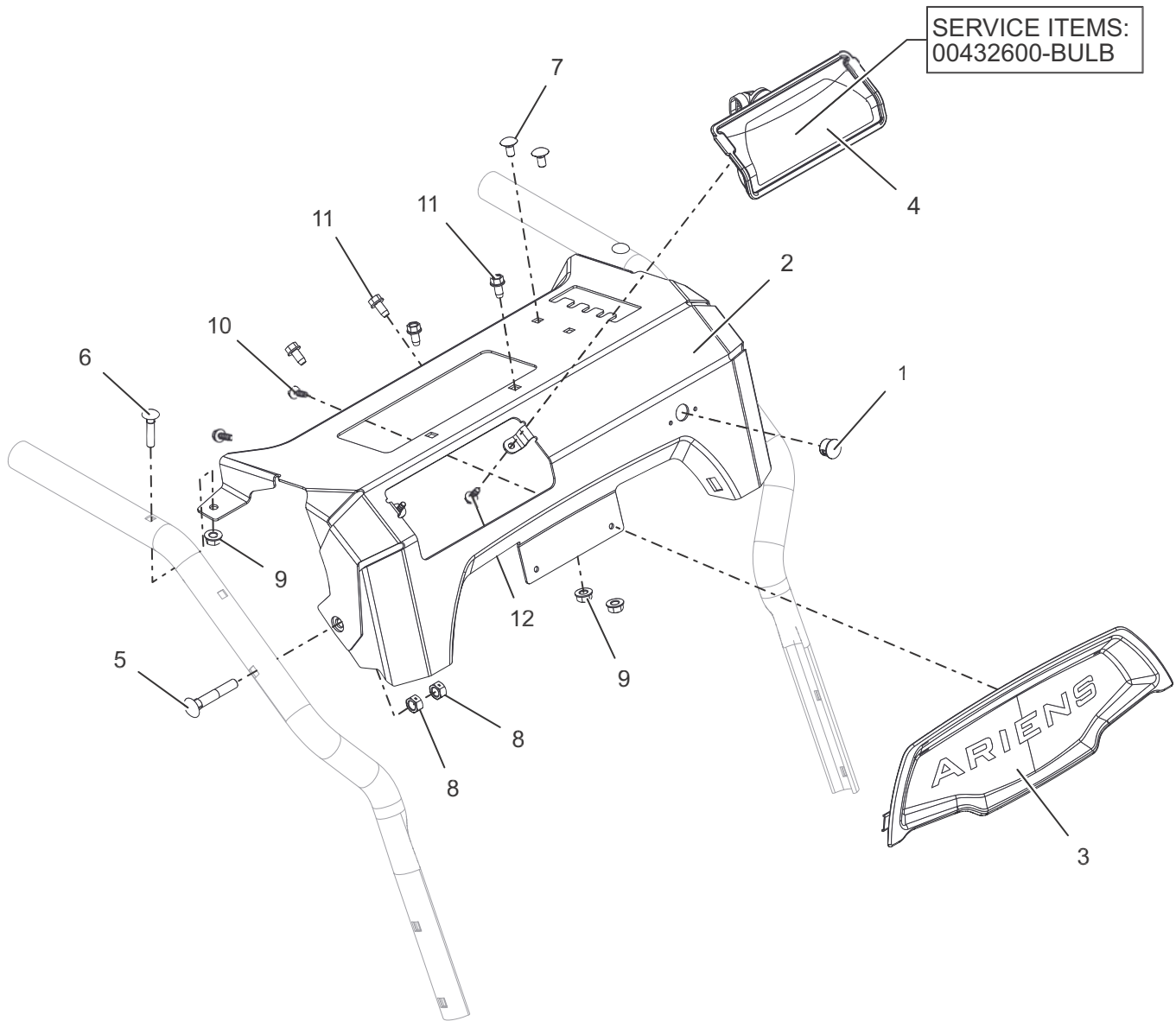
Model 920317



BOM ID	Number	Qty	Description
1	01554900	1	HOLE PLUG, PLASTIC .56 HOLE
2	52007400	1	PANEL, CONTROL
3	04982300	1	BEZEL, DASH - ARIENS SM
4	04812300	1	ASM, HEADLAMP - HALOGEN 20W - 2 SHOT
5	06200207	2	BLT, RDHD XLSQNK .31-18X2.0 G5YZ
6	06220100	2	BLT, RDHDXLSQNK .25-20X1.25 G5YZ
7	06220600	2	BOLT, CARRIAGE 0.25-20X0.5 GR5
8	06529800	4	NUT-LK-CTR .31-18 YWZC
9	06543500	4	NUT, LK-TOP-FLG .25-20 YWZC
10	07400107	4	SCR-TAP #10X.500 BOSS INDHXHD
11	07400034	4	SCR-TAP .25-20X.50 HWH TR YWZ
12	04337300	1	HARNES, LIGHT - COMPACT

DASH

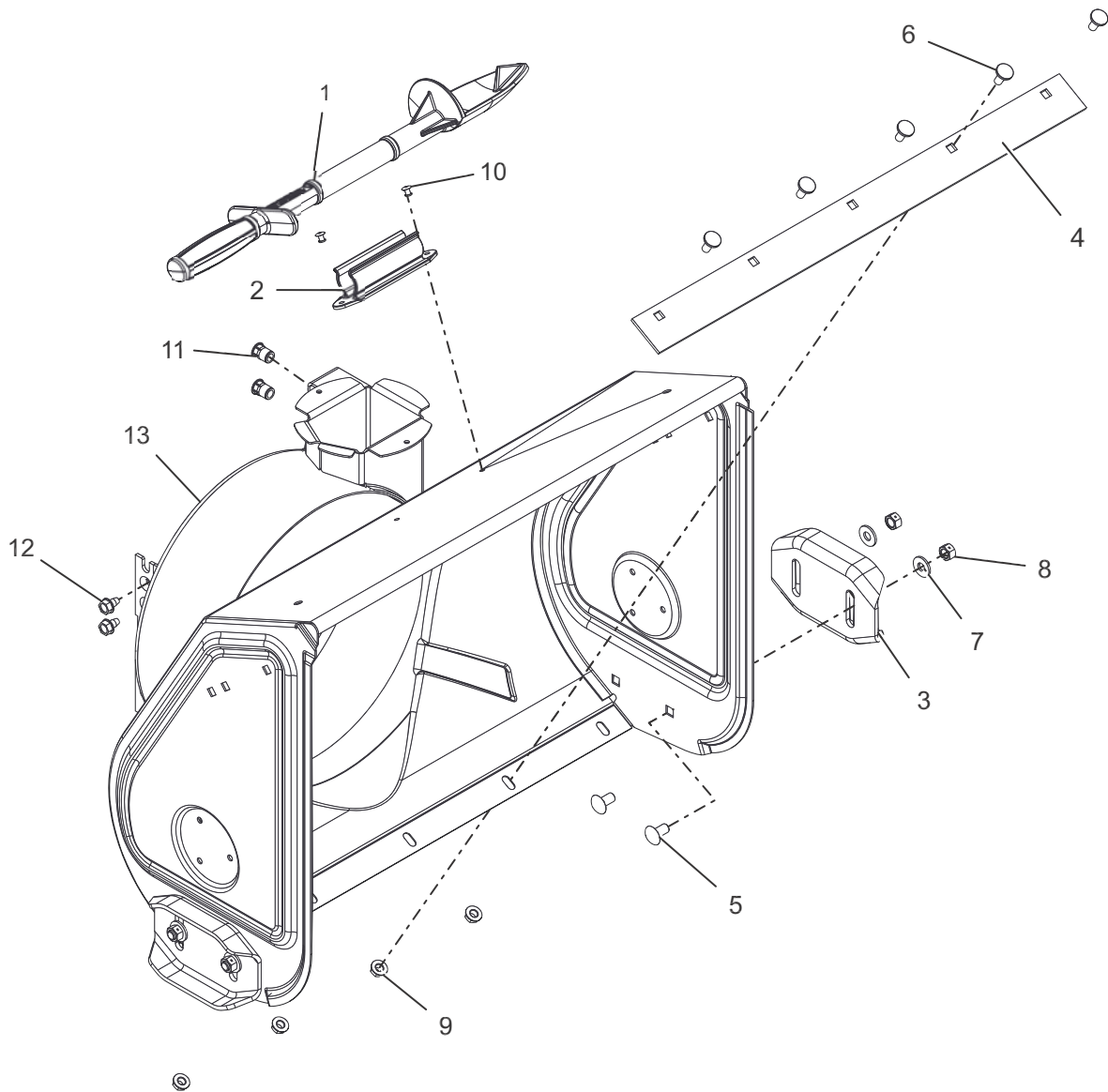
Model 920026, 027, 321



BOM ID	Number	Qty	Description
1	01554900	1	HOLE PLUG, PLASTIC .56 HOLE
2	52007500	1	PANEL, CONTROL
3	04982300	1	BEZEL, DASH - ARIENS SM
4	04812300	1	ASM, HEADLAMP - HALOGEN 20W - 2 SHOT
5	06200207	2	BLT, RDHD XLSQNK .31-18X2.0 G5YZ
6	06220100	2	BLT, RDHDXLSQNK .25-20X1.25 G5YZ
7	06220600	2	BOLT, CARRIAGE 0.25-20X0.5 GR5
8	06529800	4	NUT-LK-CTR .31-18 YWZC
9	06543500	4	NUT, LK-TOP-FLG .25-20 YWZC
10	07400107	2	SCR-TAP #10X.500 BOSS INDHXHD
11	07400034	4	SCR-TAP .25-20X.50 HWH TR YWZ
12	07400107	2	SCR-TAP #10X.500 BOSS INDHXHD

HOUSING – 24"

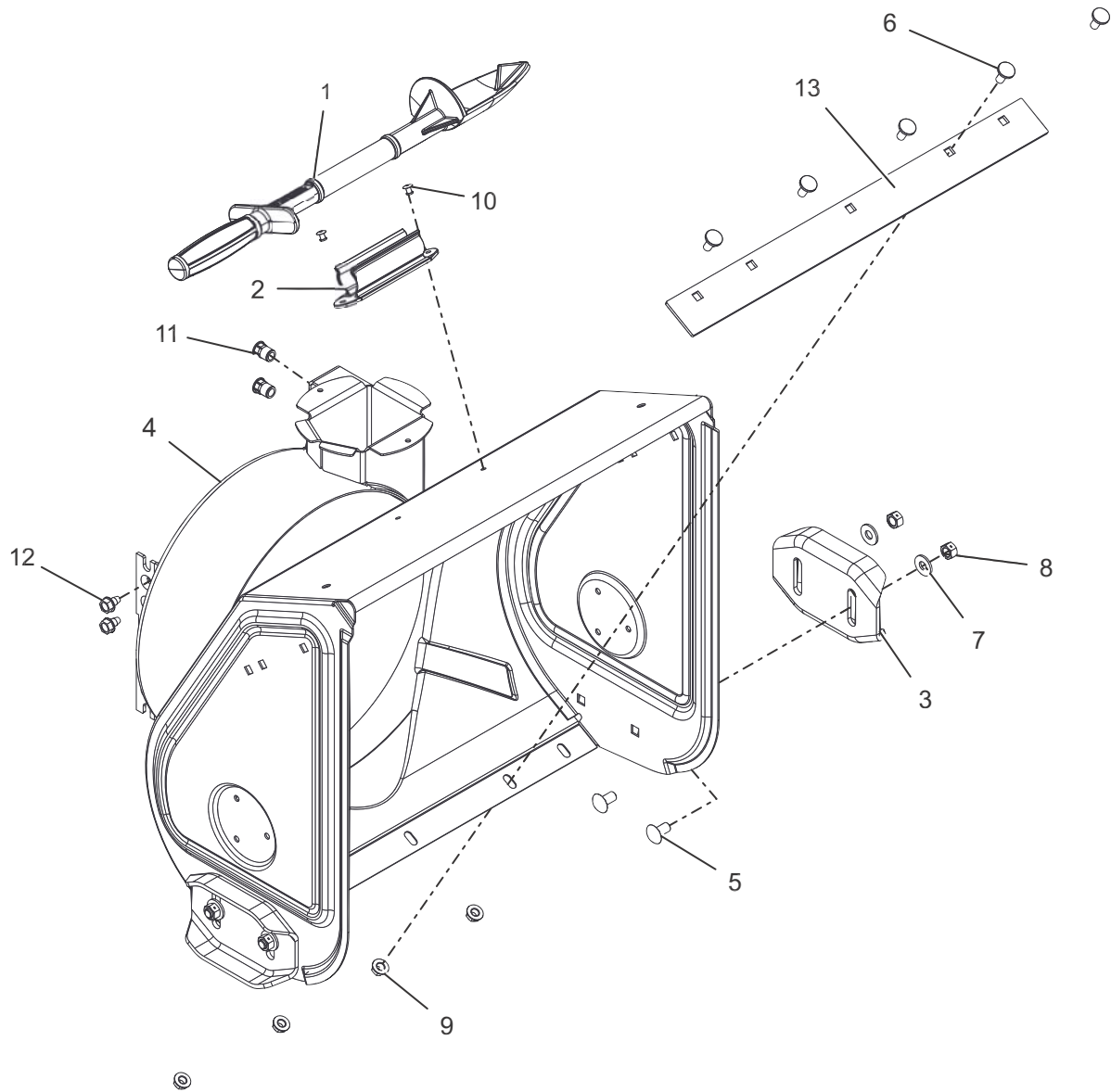
Models 921025, 027, 028, 318, 321



BOM ID	Number	Qty	Description
1	00170200	1	DEVICE,SNOW CLEAN OUT
2	00170300	1	MOUNT, SNOW CLEAN OUT
3	02483859	2	SHOE, SKID
4	03884459	1	BLADE, SCRAPER - 24" COMPACT
5	06200004	4	BLT-RHDSSQNK .38-16X.75 G5YZ
6	06200209	5	BLT, RDHDSQSHK MODIFIED .31-18 X .62 YZ
7	06435700	4	WSHR-FL-STL.38X.875X.083 YWZC
8	06529600	4	NUT-LK-CTR .38-16 YWZC
9	06543100	5	NUT, LK-TOP-FLG .312-18 YWZC
10	06800028	2	RVT-POP .187x.250 (#64) YWZC
11	07001612	2	NUT, THREADED INSERT .38-16
12	07411500	4	SCR-TAP .31-18X.50 HWH TR YWZ
13	52002600	1	HOUSING, BLOWER - 24" WITH DECAL

HOUSING – 20"

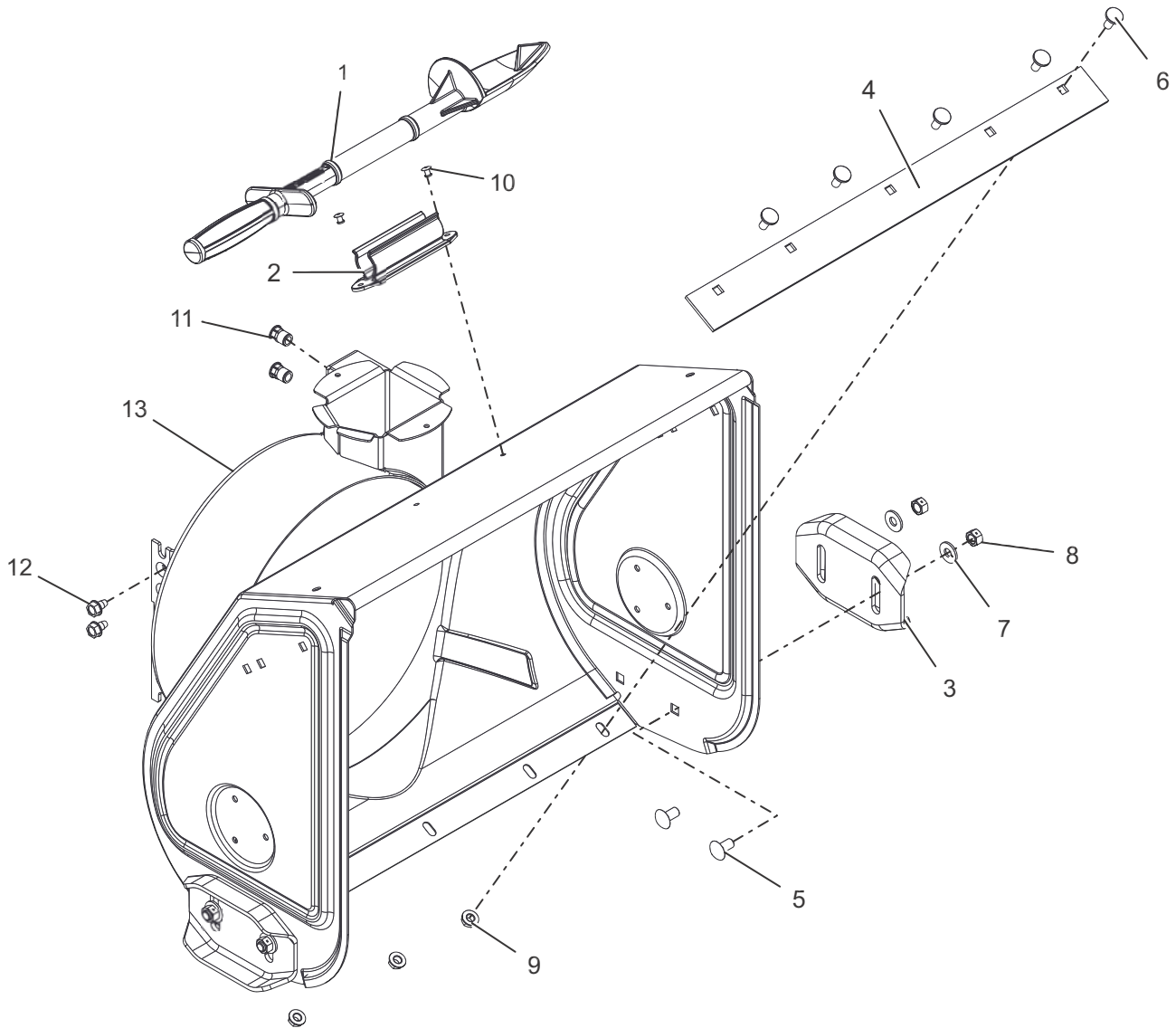
Model 920026



BOM ID	Number	Qty	Description
1	00170200	1	DEVICE,SNOW CLEAN OUT
2	00170300	1	MOUNT, SNOW CLEAN OUT
3	02483859	2	SHOE, SKID
4	52007700	1	HOUSING, BLOWER - 20" COMPACT HB
5	06200004	4	BLT-RHDSSQNK .38-16X.75 G5YZ
6	06200209	5	BLT, RDHDSQSHK MODIFIED .31-18 X .62 YZ
7	06435700	4	WSHR-FL-STL.38X.875X.083 YWZC
8	06529600	4	NUT-LK-CTR .38-16 YWZC
9	06543100	5	NUT, LK-TOP-FLG .312-18 YWZC
10	06800028	2	RVT-POP .187x.250 (#64) YWZC
11	07001612	2	NUT, THREADED INSERT .38-16
12	07411500	4	SCR-TAP .31-18X.50 HWH TR YWZ
13	04743459	1	BLADE, SCRAPER - 20" COMPACT (ORANGE)

HOUSING – 22"

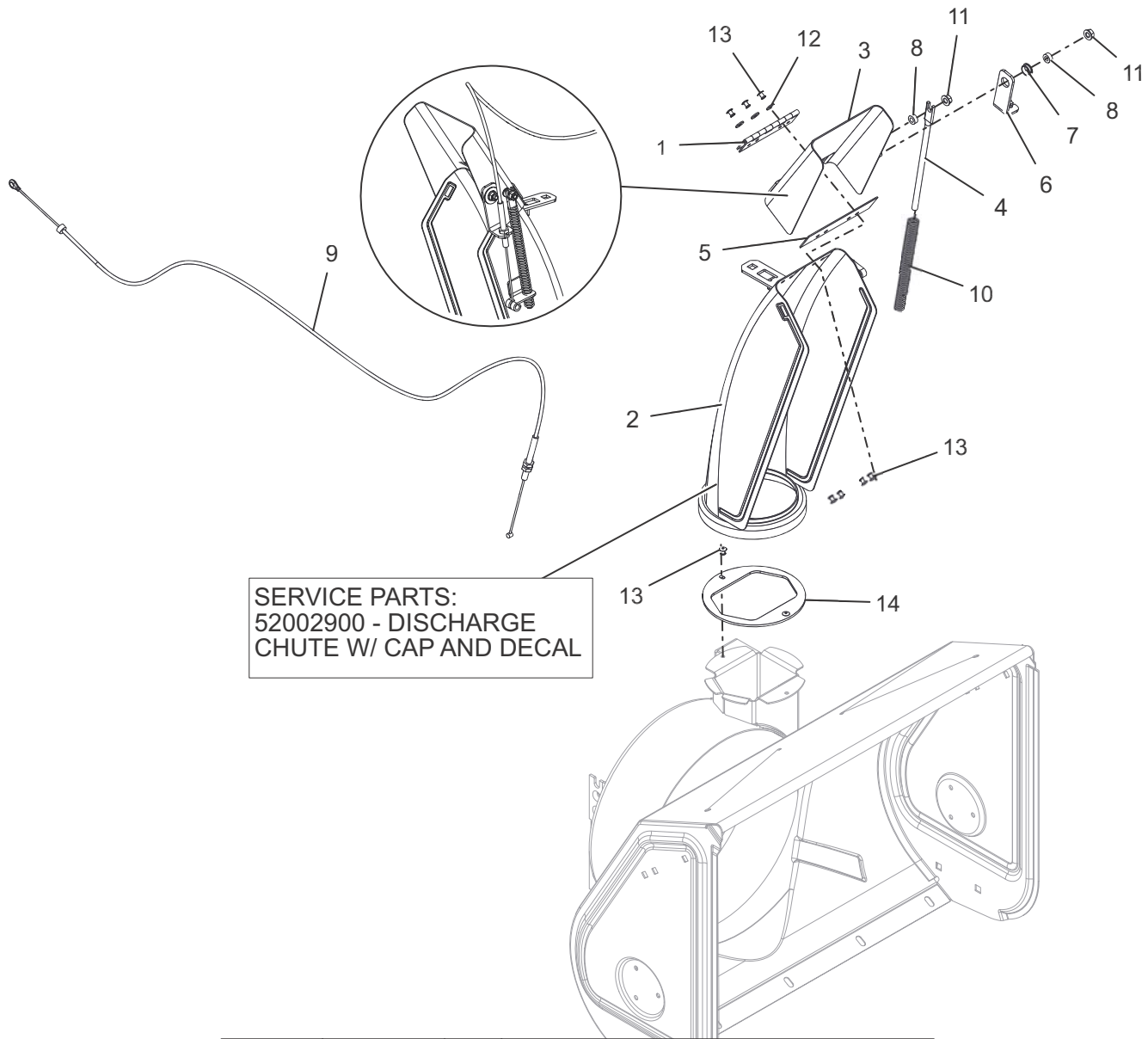
Model 920317



BOM ID	Number	Qty	Description
1	00170200	1	DEVICE,SNOW CLEAN OUT
2	00170300	1	MOUNT, SNOW CLEAN OUT
3	02483859	2	SHOE, SKID
4	03884359	1	BLADE, SCR -22" COMPACT
5	06200004	4	BLT-RHDSSQNK .38-16X.75 G5YZ
6	06200209	5	BLT, RDHDSQSHK MODIFIED .31-18 X .62 YZ
7	06435700	4	WSHR-FL-STL.38X.875X.083 YWZC
8	06529600	4	NUT-LK-CTR .38-16 YWZC
9	06543100	5	NUT, LK-TOP-FLG .312-18 YWZC
10	06800028	2	RVT-POP .187x.250 (#64) YWZC
11	07001612	2	NUT, THREADED INSERT .38-16
12	07411500	4	SCR-TAP .31-18X.50 HWH TR YWZ
13	52002500	1	HOUSING, BLOWER - 22" WITH DECAL

DISCHARGE CHUTE

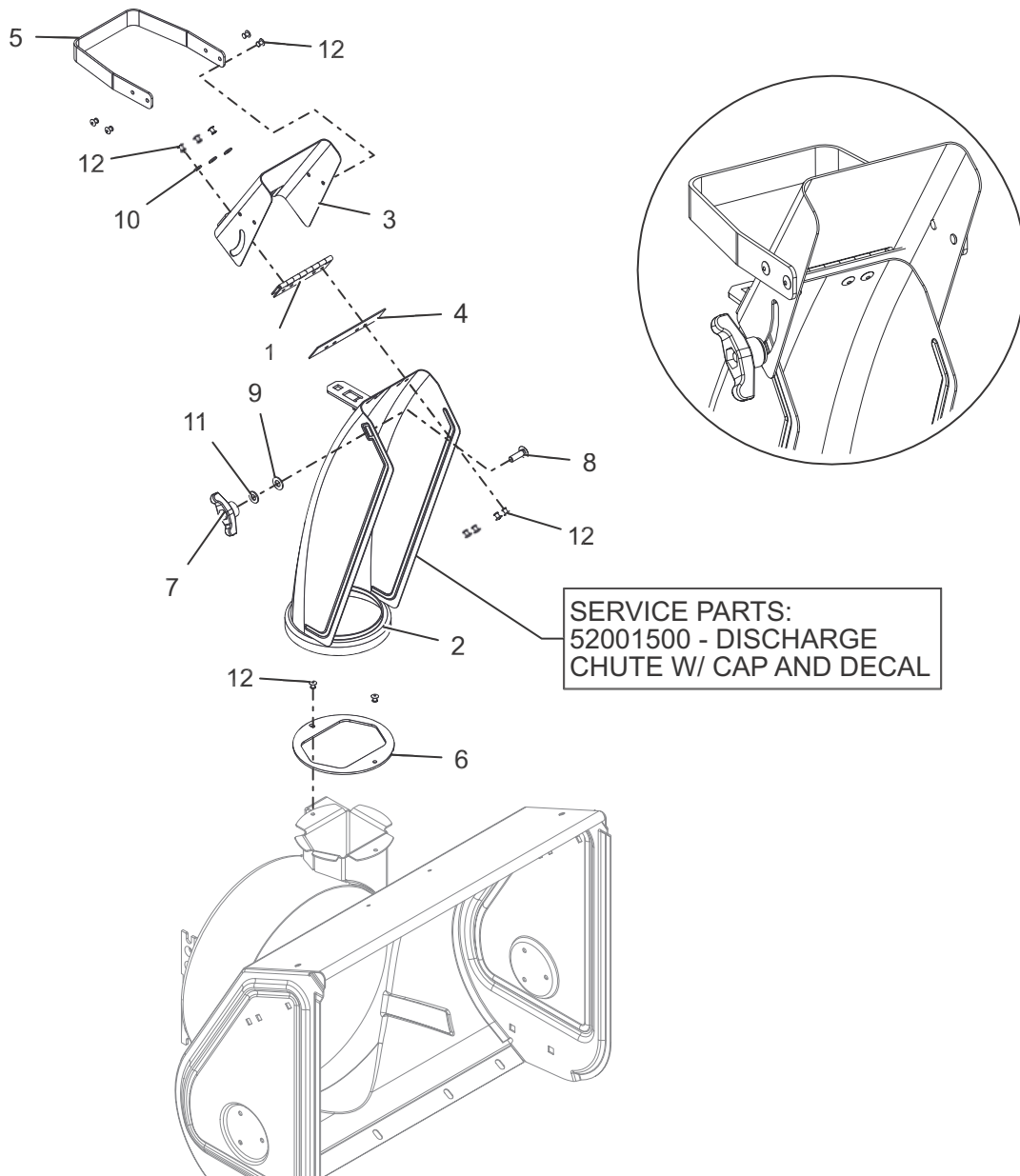
Models 920025, 026, 027, 028, 318, 321



BOM ID	Number	Qty	Description
1	00170100	1	ASM, HINGE
2	04092759	1	CHUTE, COMPACT - TALL W/REMOTE
3	52008400	1	CAP, REMOTE - COMPACT (W/DECAL)
4	00389000	1	ROD, DEFLECTOR CAP
5	00628500	1	SEAL, CAP - 5.25
6	04115359	1	BRKT, CABLE ANCHOR
7	05500028	1	BSHG, POLYLINER - .50 SNAP-IN
8	05501012	2	BSHG, SLV - .265X.500X.219
9	06900508	1	CABLE, DEFLECTOR
10	08300013	1	SPRG, COMPRESSION
11	06543500	2	NUT, LK-TOP-FLG .25-20 YWZC
12	06400003	3	WSHR-FL-STL .196X.500X.06 YWZC
13	06800028	9	RVT-POP .187x.250 (#64) YWZC
14	03889400	1	BAFFLE, COMPACT DISCHARGE

DISCHARGE CHUTE – 22" CE

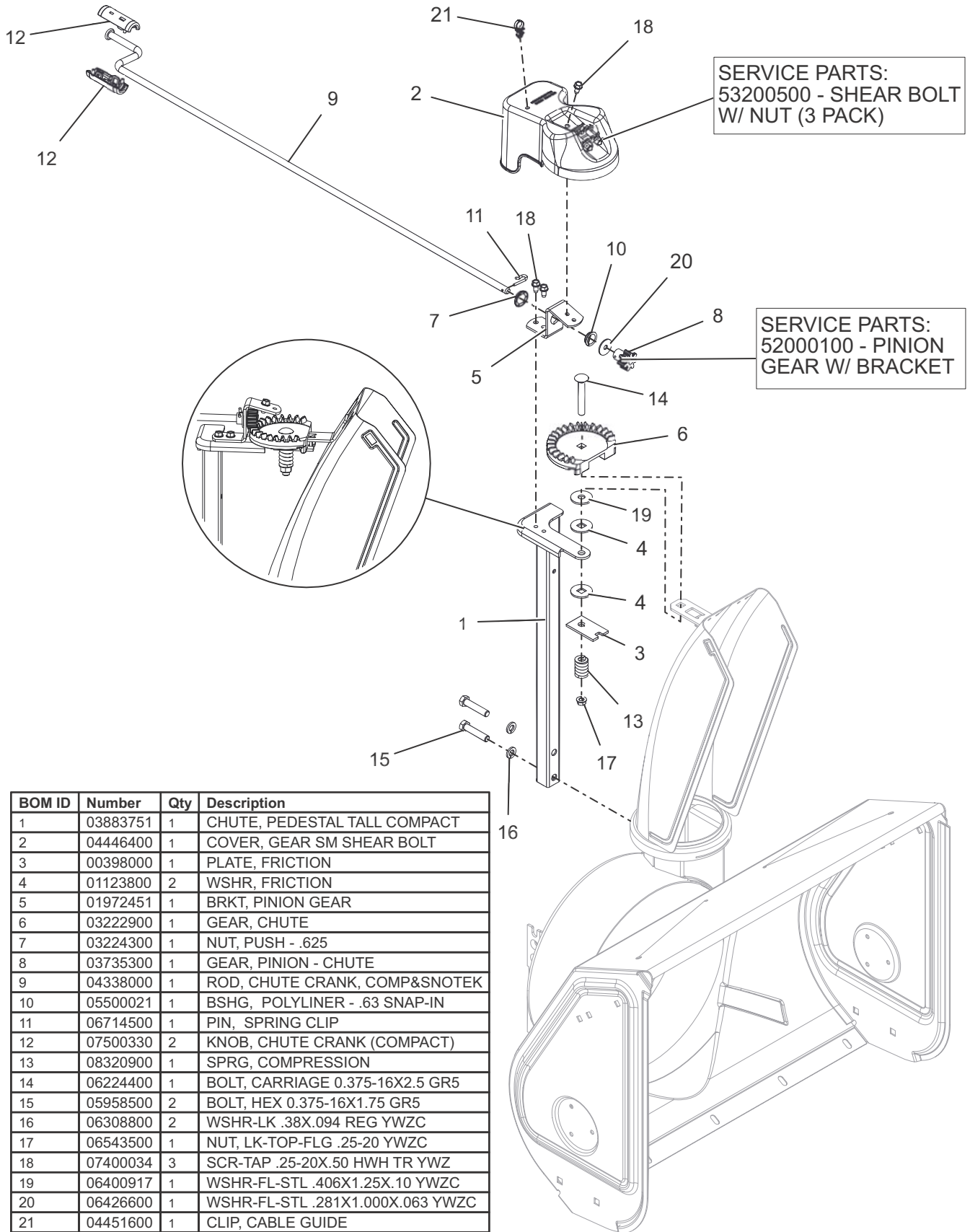
Model 920317



BOM ID	Number	Qty	Description
1	00170100	1	ASM, HINGE
2	03881559	1	CHUTE, COMPACT - TALL
3	52008300	1	CAP, MANUAL - COMPACT (W/DECAL)
4	00628500	1	SEAL, CAP - 5.25
5	03212159	1	HANDLE, DEFLECTOR
6	03889400	1	BAFFLE, COMPACT DISCHARGE
7	07500105	1	KNOB, WING .31-18 UNC NYL/TALC
8	06200007	1	BLT-RDHSQSHNK .31-18X1.00 G5YWZC
9	06433600	1	WSHR-FL-NYL .375X.75X.060
10	06400003	3	WSHR-FL-STL .196X.500X.06 YWZC
11	06437200	1	WSHR-FL-STL.344X.688X.065YWZC
12	06800028	13	RVT-POP .187x.250 (#64) YWZC

DISCHARGE CHUTE CONTROLS

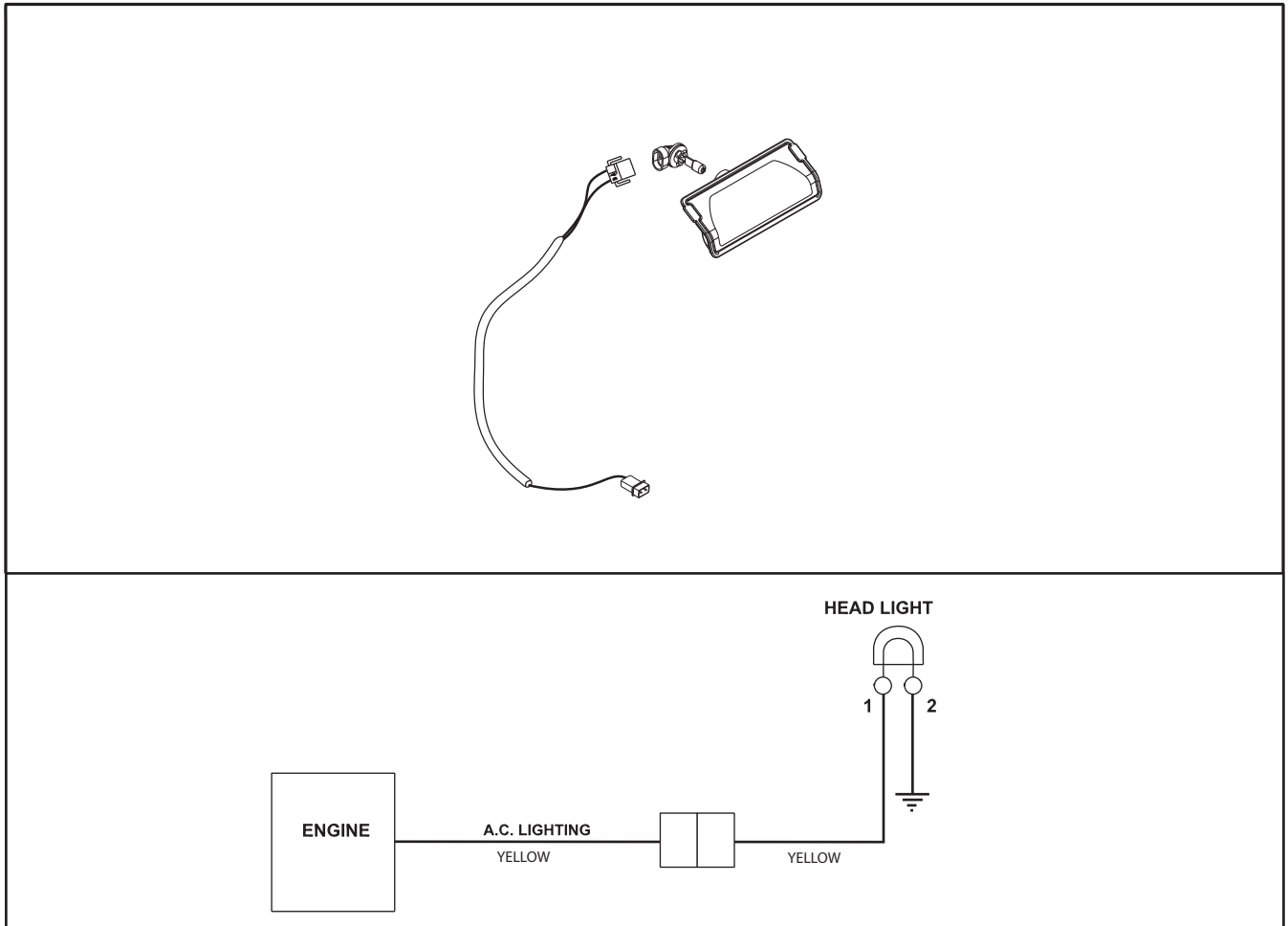
Models All



BOM ID	Number	Qty	Description
1	03883751	1	CHUTE, PEDESTAL TALL COMPACT
2	04446400	1	COVER, GEAR SM SHEAR BOLT
3	00398000	1	PLATE, FRICTION
4	01123800	2	WSHR, FRICTION
5	01972451	1	BRKT, PINION GEAR
6	03222900	1	GEAR, CHUTE
7	03224300	1	NUT, PUSH - .625
8	03735300	1	GEAR, PINION - CHUTE
9	04338000	1	ROD, CHUTE CRANK, COMP&SNOTEK
10	05500021	1	BSHG, POLYLINER - .63 SNAP-IN
11	06714500	1	PIN, SPRING CLIP
12	07500330	2	KNOB, CHUTE CRANK (COMPACT)
13	08320900	1	SPRG, COMPRESSION
14	06224400	1	BOLT, CARRIAGE 0.375-16X2.5 GR5
15	05958500	2	BOLT, HEX 0.375-16X1.75 GR5
16	06308800	2	WSHR-LK .38X.094 REG YWZC
17	06543500	1	NUT, LK-TOP-FLG .25-20 YWZC
18	07400034	3	SCR-TAP .25-20X.50 HWH TR YWZ
19	06400917	1	WSHR-FL-STL .406X1.25X.10 YWZC
20	06426600	1	WSHR-FL-STL .281X1.000X.063 YWZC
21	04451600	1	CLIP, CABLE GUIDE

ELECTRICAL AND WIRING DIAGRAM

Models All



NOTES



ARIENS
THE KING OF SNOW

Ariens Company
655 West Ryan Street
Brillion, WI 54110

ariensstore.com
(Dealer Locator)

ariens.custhelp.com
(Customer Support)



An *Ariens* Company Brand