

INSTALLATION INSTRUCTIONS



Box Track System

Recommended installation onto a Header that is attached to your wall through wall studs



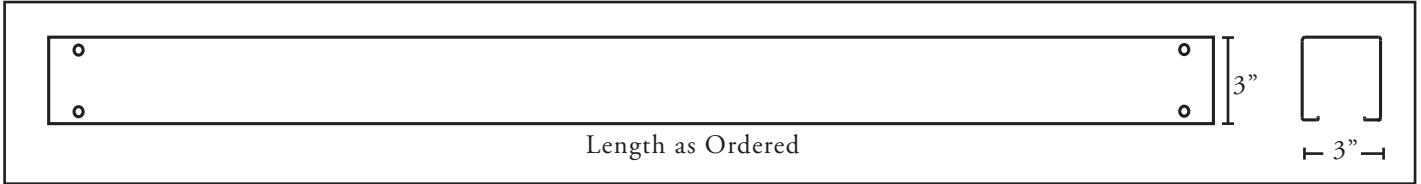
.....RUSTICAHARDWARE®.....



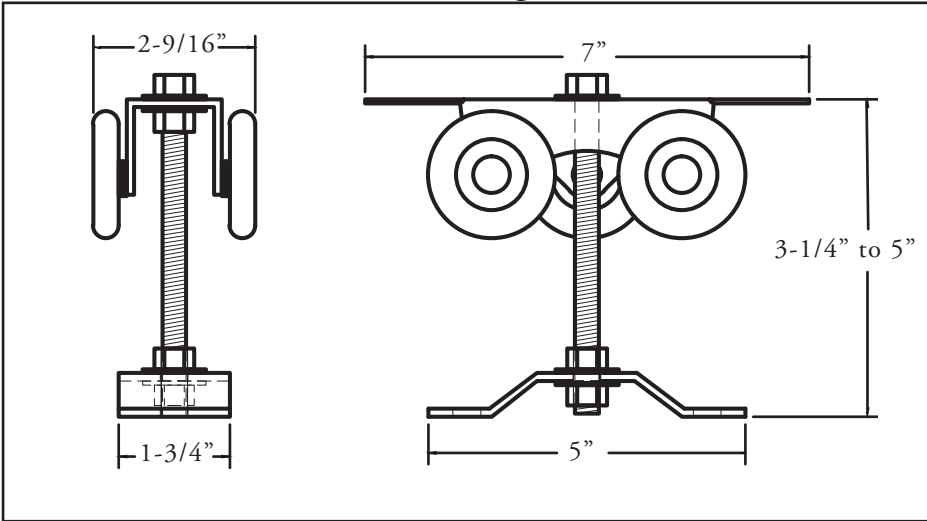
Specifications

INSTALLATION INSTRUCTIONS

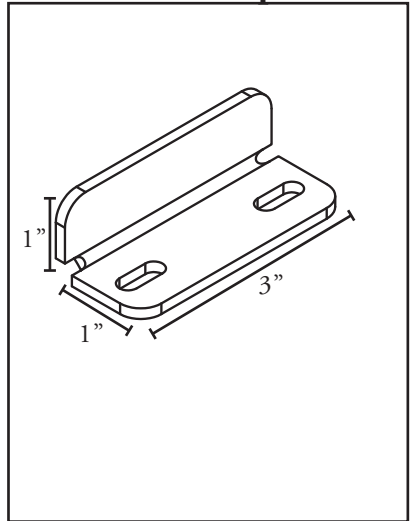
Track



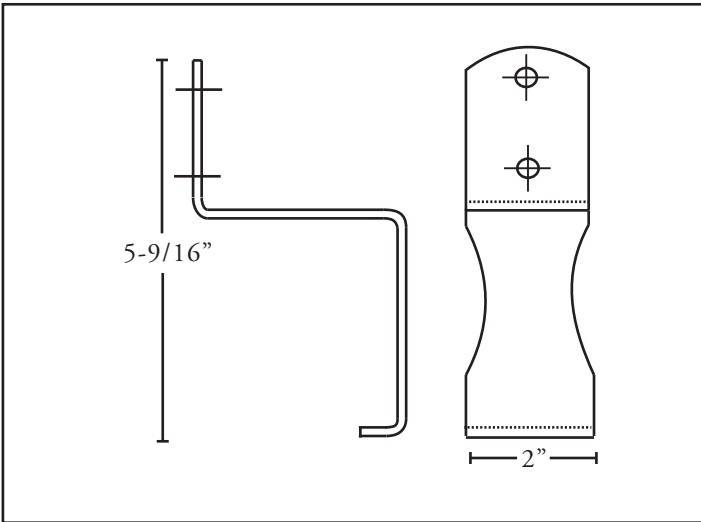
Track Hangers



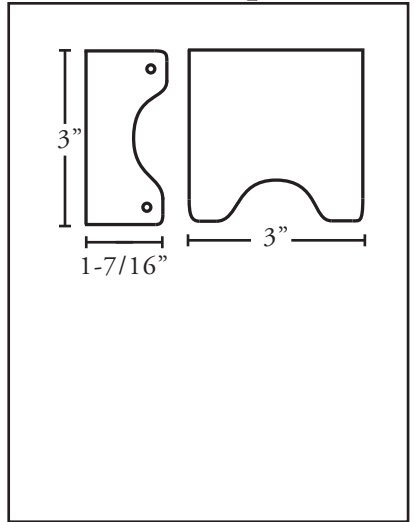
Door Stop



Brackets



End Caps



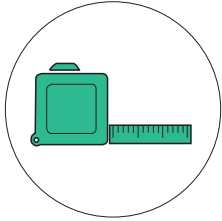
RUSTICAHARDWARE®



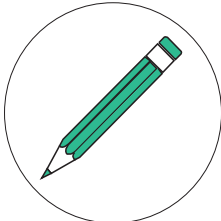
Parts and Tools

INSTALLATION INSTRUCTIONS

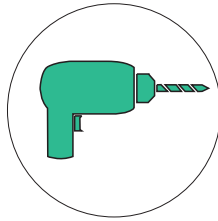
Tools Needed



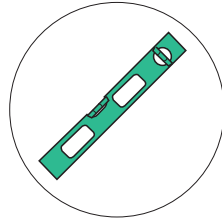
Tape Measure



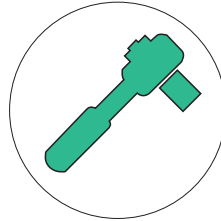
Pencil



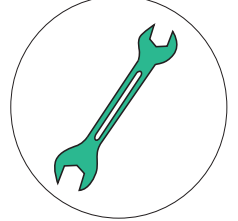
Drill with 1/8", 1/4" and 3/8" bits



Short Level

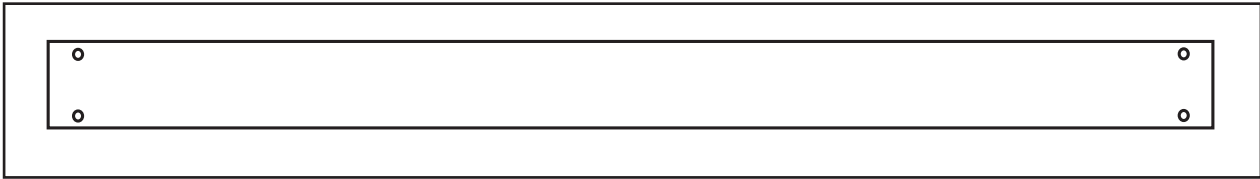


Ratchet with 9/16" and 5/8" sockets

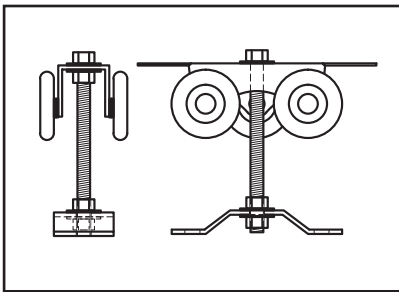


9/16" and 5/8" open end and ratcheting wrench

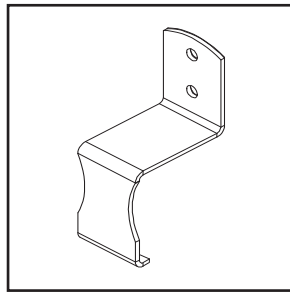
Parts Included



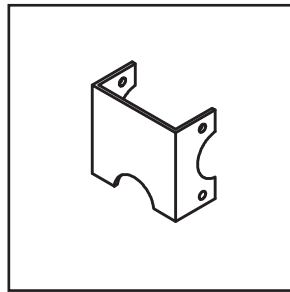
Track



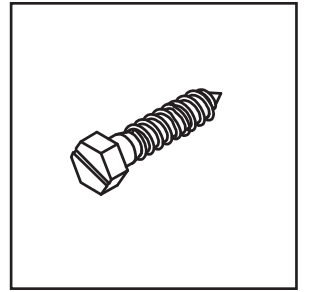
Hangers



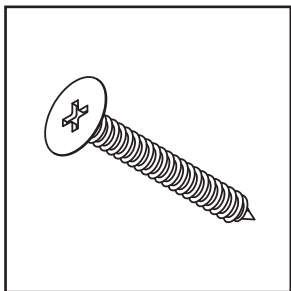
Brackets



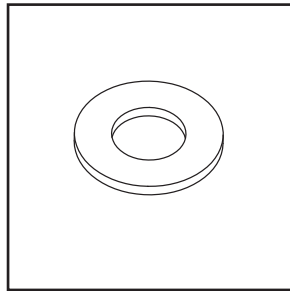
End Caps



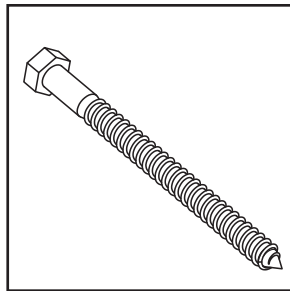
Self-Tap Screws



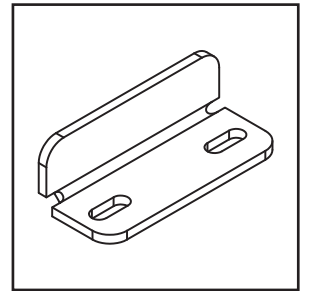
Grabber Screws



Washers



Lag Screws



Door Guide

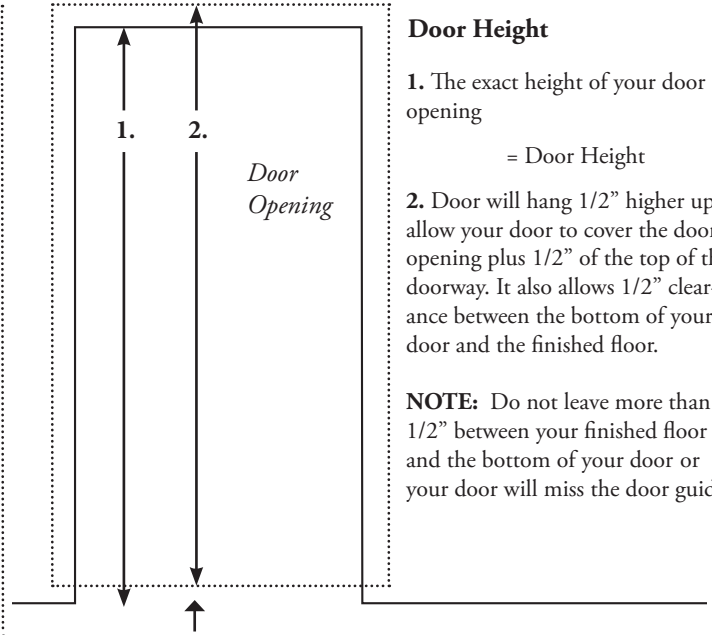
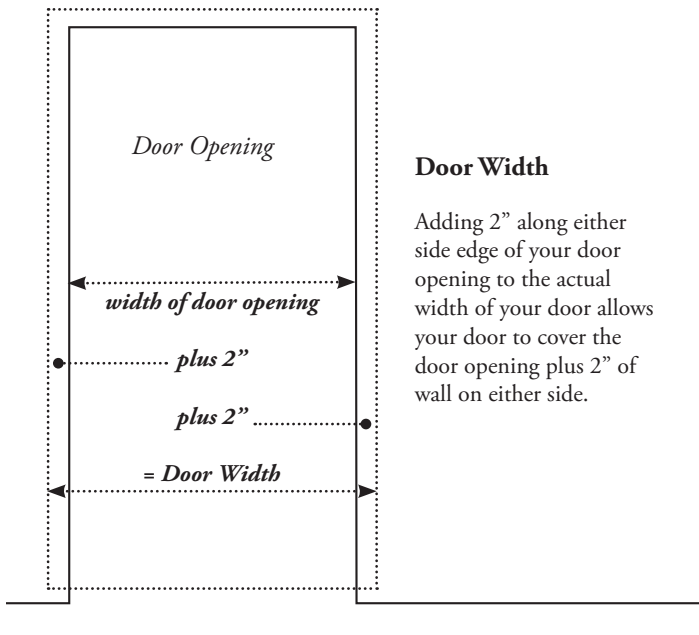


RUSTICAHARDWARE®



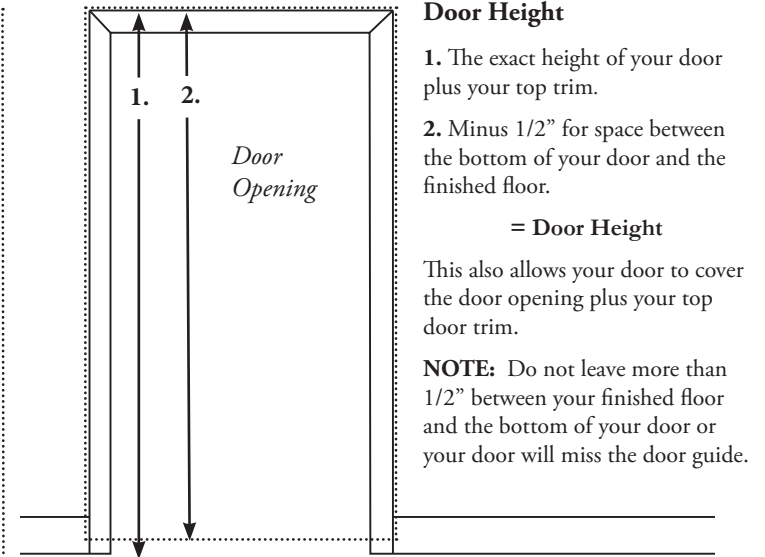
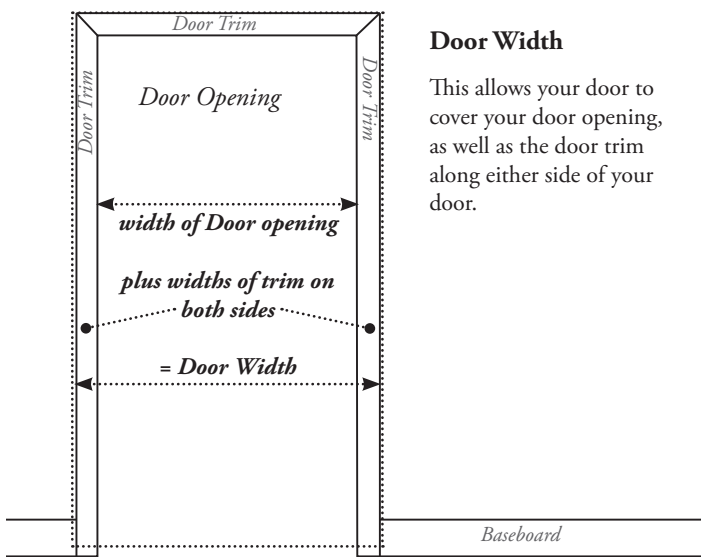
How to Measure for Your Door Size

Doorways Without Trim

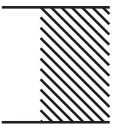


Measurements given are suggestions for a minimum door size. You can have larger door coverage if you wish.

Doorways With Trim



RUSTICAHARDWARE®



Measuring for Track Position

INSTALLATION INSTRUCTIONS

We highly recommend you attach your Track to a header, which is attached to your wall through the wall studs. This will provide the stability your wall needs to hold the weight of your door.

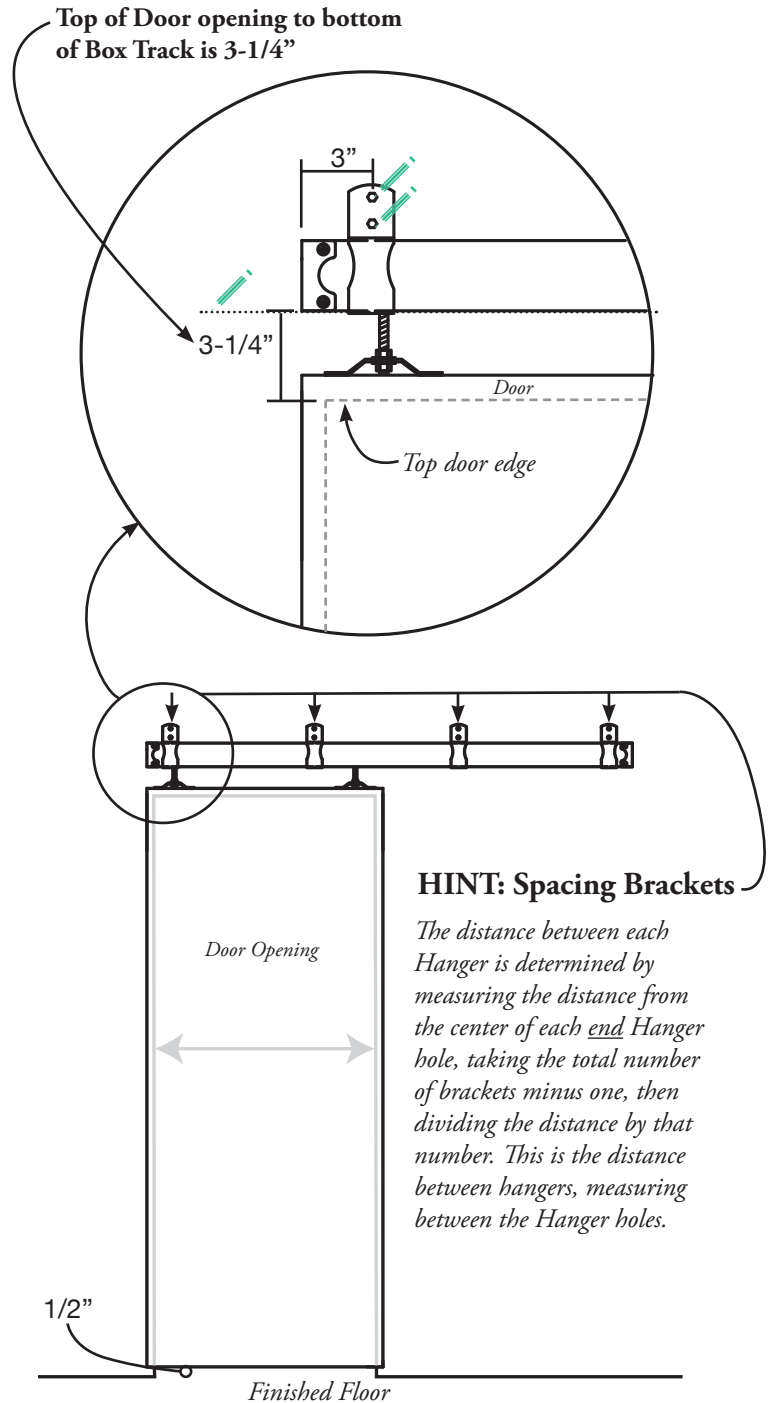
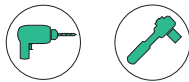
1. Measuring for Track Position

- Measure 3-1/4" above your Door Edge. This is where the bottom of your Box Track will be.
- Using a level, mark a horizontal line across your wall, slightly longer than your Track.



2. Marking and Installing Brackets and Box Track

- Once you have figured out spacing for the Brackets using the Hint below, right, mark where each Bracket will be installed.
- Drill pilot holes using a 1/8" drill.
- Very loosely install the top holes in each Bracket using Washers, Lag Screws, and a ratchet.
- Carefully pull the bottom of each Bracket out just enough to slip the Box Track into place inside the Brackets. This might be better accomplished with two people. Now you can tighten the Lag Screws and install the bottom holes of the Brackets with Lag Screws.



RUSTICAHARDWARE®

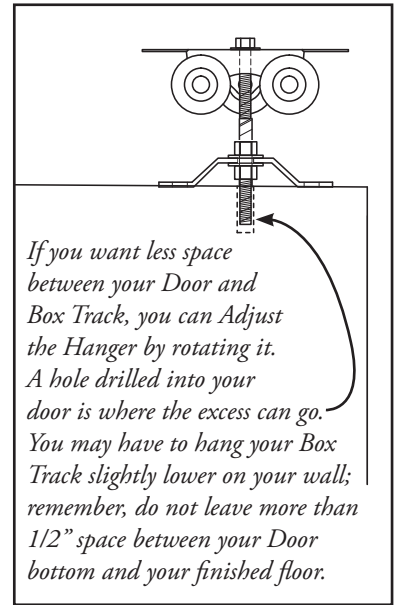
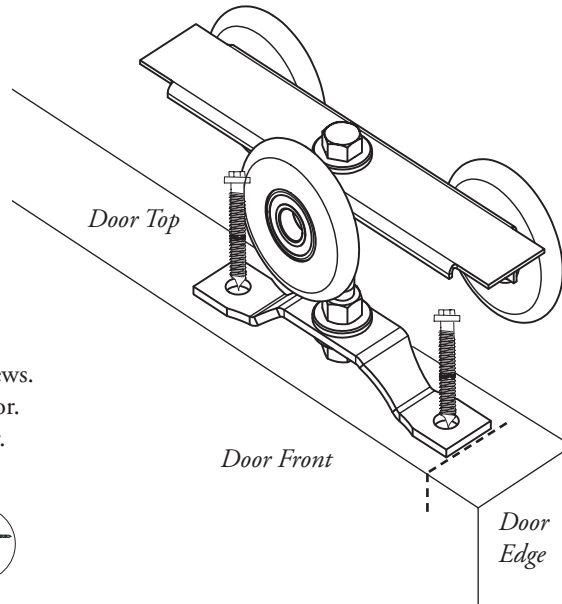


Attaching Hangers to Door

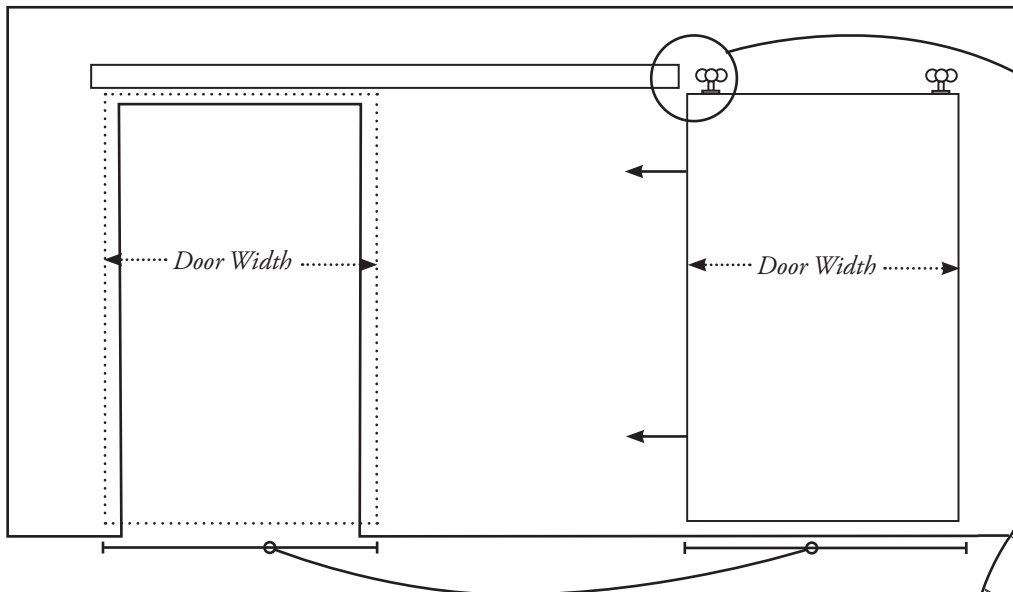
INSTALLATION INSTRUCTIONS

1. Attaching Hangers to Your Door

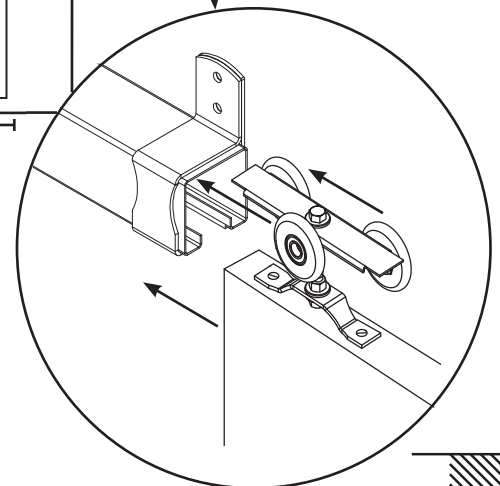
- Lay your Door facing UP on sawhorses.
- Measure 1" in from the edge of your Door and pencil a mark on the top of your Door.
- Position the Hanger on top of your Door with the single-wheel side facing front (towards you) and the double-wheel side facing back or down. Line the edge of the Hanger base up with the penciled line.
- Attach Hanger to your Door using Lag Screws to attach the Hanger to the top of your Door.
- Repeat Step 1 on the other side of the Door.



2. Making Sure There is Enough Room to Slide Your Door in



You will need enough space beyond your Track (the same width as your Door) so you can position your Door at the end of the Box Track, then slide your door's Hanger wheel assemblies into the end of the Box Track.



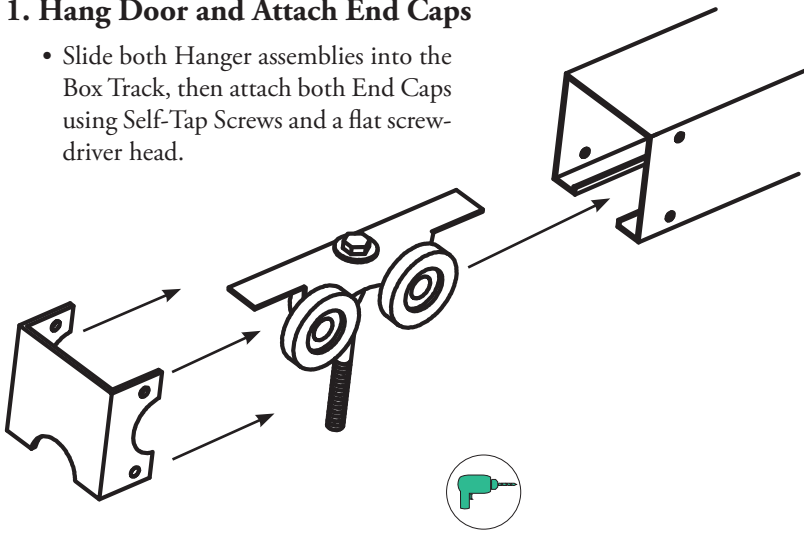
RUSTICAHARDWARE®

End Cap & Door Guide Installation

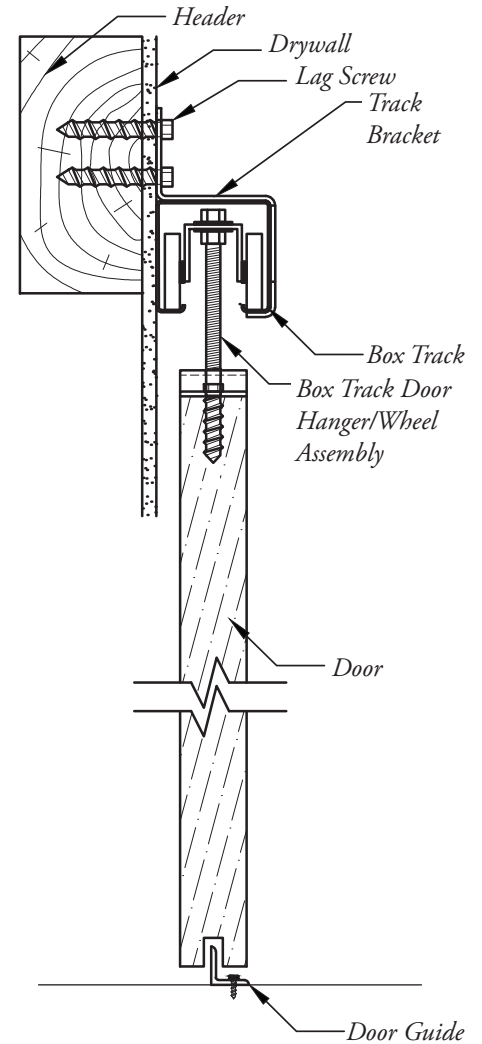
INSTALLATION INSTRUCTIONS

1. Hang Door and Attach End Caps

- Slide both Hanger assemblies into the Box Track, then attach both End Caps using Self-Tap Screws and a flat screw-driver head.



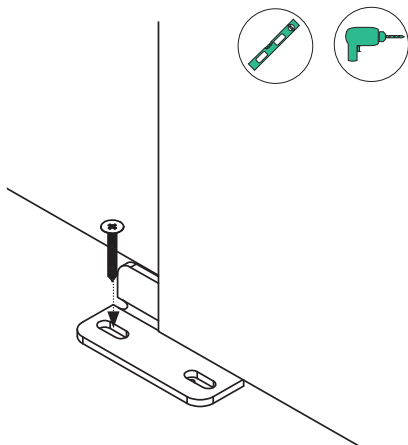
Side View - Exposed



2. Door Guide Part 1

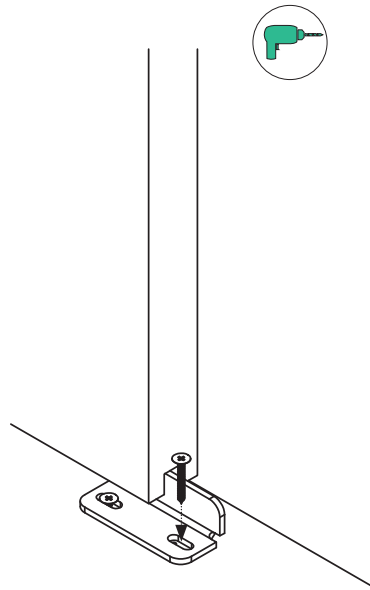
- Use your level to plumb* your Door.
- With the Door in the closed position, place the Door Guide half way into the Door mortise (the groove that runs along the bottom of a wood Door).
- Double check that your Door is plumb.*
- Hold the Door Guide firmly in position. Using a drill with a Phillips bit, install a 1" Grabber Screw to secure your Door Guide to the floor.

*Plumb - perfectly vertical.



3. Door Guide Part 2

- Slide the Door into the open position exposing the other edge of the Door Guide.
- Using a drill with a Phillips bit, install a second 1" Grabber Screw.



RUSTICAHARDWARE®